

Service Bulletin

ALL PRODUCTS

ISSUE NO.: M-G-0161

DATA: Jan., 30, 2004

PAGE: 1 OF 24

SUBJECT: CARBURETOR JETS

APPLICABLE MODEL:

EFFECTIVE ENGINE OR FRAME NO.:


REFERENCE:

This bulletin is intended to advise you of availability of various size of carburetor jets and their related SUZUKI part numbers. The carburetors dealt with in this bulletin cover all the products: motorcycles, automobiles, outboard motors, generators, water pumps and general purpose engines.

Also contained in this bulletin are explanations on jet type, size and code for your reference. When replacing carburetor jets or ordering the spare parts, refer to this bulletin and ensure that you are handling correct ones.

MAIN JET (MIKUNI)

The table below shows the last five digits of the part number for all the available main jets classified by type and size.

MAIN JET PART #: 09491-

→ SHOWN BELOW

MAIN JET SIZE	TYPE CODE			
	M10/14	4/042	N100604	N102221
35	35001			35012
37.5				37006
40	40001			40012
45	45001			45002
47.5				47001
50	50001	50002		50006
52.5			52002	52003
55	55001	55002	55003	55004
57.5			57006	57003
60	60001	60002	60006	60010
62.5			62003	62006
65	65001	65002	65004	65005
67.5			67003	67004
70	70001	70002	70010	70012
72.5			72010	72012
75	75001	75002	75009	75008
76.3				76004
77.5			77004	77005
78.8				78008
80	80001	80003	80008	80009
82.5			82003	82005
83.8				84002
85	85001	85002	85008	85006

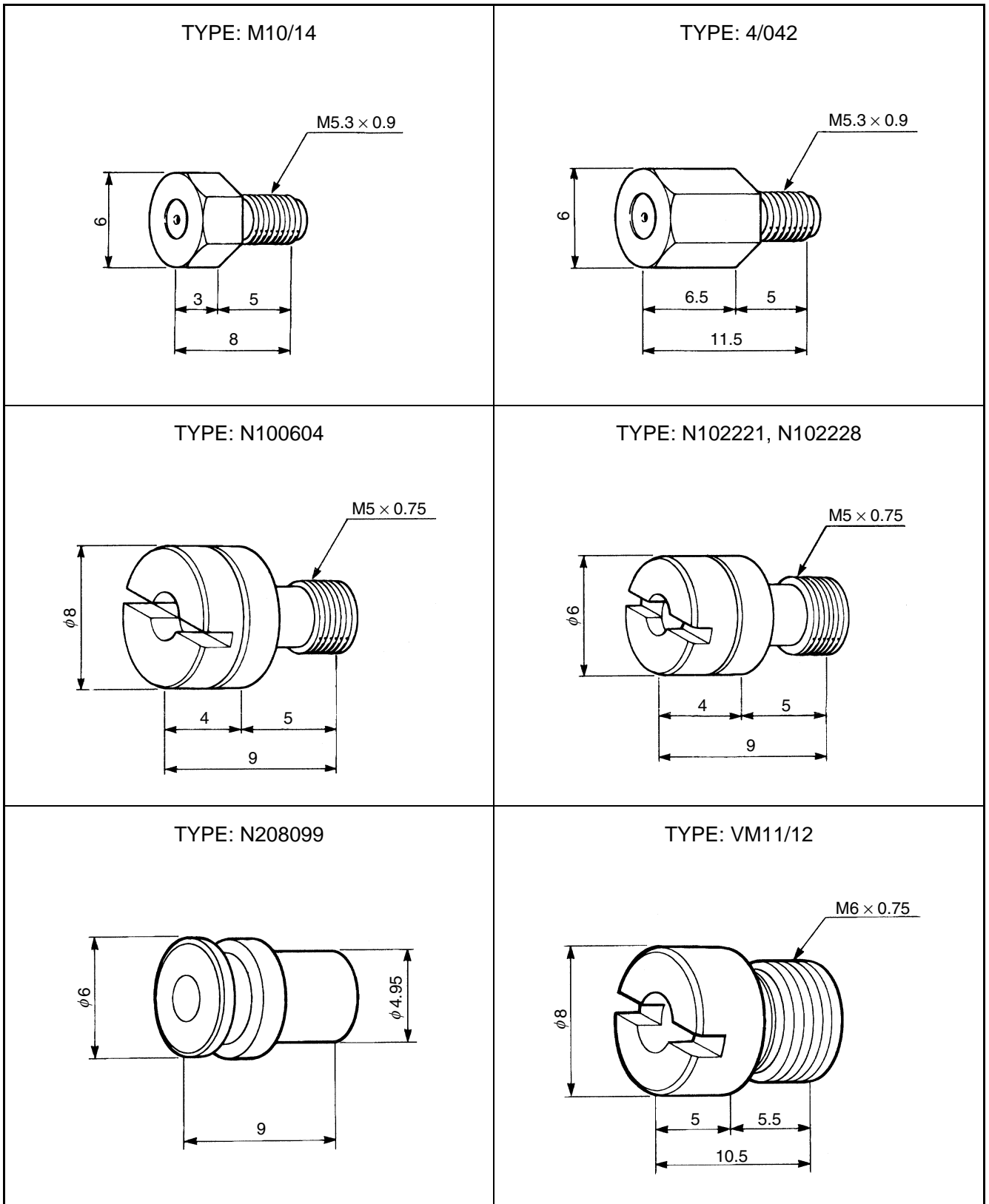
SUZUKI MOTOR CORPORATION

HAMAMATSU-NISHI P.O. BOX 1, 432-8611 HAMAMATSU, JAPAN.

MAIN JET SIZE	TYPE CODE			
	M10/14	4/042	N100604	N102221
87.5			87005	87006
88.8				87003
90	90001	90002	90007	90011
92.5			92004	92003
93.8				94003
95	95001	95006	95005	95008
96.3				96002
97.5			97003	97007
98.8				98005
100	20001	20002	20017	20022
101.3				20016
102.5			20012	20011
103.8				20020
105	21002	21013	21016	21023
107.5			21014	21020
108.8				21024
110	22001	22003	22016	22013
111.3				22020
112.5			22015	22025
113.8				22017
115	23005	23010	23011	23012
116.3				27011
117.5			23017	23019
118.8				23023
120	24001	24014	24016	24026
122.5			24013	24023
123.8				24022
125		25009	25010	25014
127.5			25011	25018
130	26002	26003	26011	26016
132.5			26012	26013
135		27015	27009	27008
137.5			27010	27014
140	28001	28009	28010	28017
142.5			28015	28012
145		29002	29013	29006
147.5			29012	29010
150	30001	30017	30016	30010
152.5			30005	30009
155		31005	31008	31003
157.5			31002	31007
160	32001	32002	32005	32006
162.5				32008
165		33005	33002	33003
167.5				33007
170	34001	34002	34003	34008

MAIN JET SIZE	TYPE CODE			
	M10/14	4/042	N100604	N102221
172.5				34006
175		35003	35002	35008
180	36002	36006	36004	36005
185		37007	37002	37004
190	38001	38009	38004	38007
195		38006		38008
200	40005	40006		40007
205				40008
210	42002	42005		42003
220	44003	44007		44004
230	46002	46001	46005	
240	48002	48003		
250		50008		
260		52006		
270		54002		
280		56003		
290		58002		
300		60007		
310		62005		
320		64002		
330		66002		
340		68002		
350		70011		
360		72011		
370		74003		
380		76003		
390		78005		
400		80010		
410		82001		
420		84001		
430		86001		
440		88001		
450		90005		
470		94001		
480		96001		
490		98001		
500		10001		
530		16001		

MAIN JET SIZE	TYPE CODE		
	N102228	N208099	VM11/22
45			45004
47.5			47002
50			50009
52.5			52007
55			55006
57.5			57005
60			60009
62.5			62007
65			65008
67.5			67005
70			70013
75			75010
77.5			77006
80		80013	80011
82.5		82009	82001
84.4		84005	
85		85010	85005
86.3		86007	
87.5		87008	87009
88.8		88005	
89.4		89001	
90			90006
91.3		91001	
95			95004
115	23007		
137.5	27007		
142.5	28008		
145	29003	29011	
150	30007	30013	
152.5		30015	
155	31004	31009	
157.5		31011	
160	32007	32009	
165		33008	
170	34005	34009	



There are two systems of size number calibration:

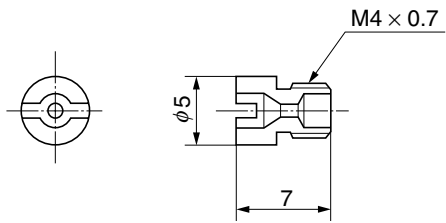
- (a) Size number is directly proportional to the amount of fuel being able to flow through under a given pressure.
- (b) Size number represents the diameter of the jet hole.

The hex type jets, M10/14 and 4/042, take the above (a) system and the round type jets, N100/604, N102221, N102228, N208099 and VM11/22, the (b) system.

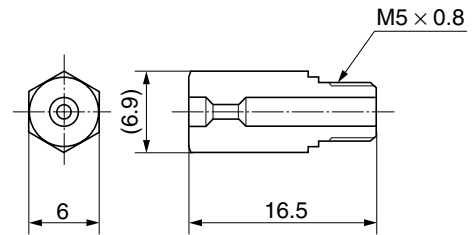
MAIN JET (KEIHIN)

MAIN JET SIZE	TYPE CODE		
	CVK(S)/PWS	PE/PWK/PWM/FCR-H/PJ	CVR/CVK/FCR-H(MAJ)
55	55008		
58	58003		
60	60011		
65	65009		
68	68003		
70	70001		
72	70015		
75	75011		
82	82010		
85	85012		85011
92			92012
95			92011
98			98008
100			20023
102	20026		20024
105	21031		20027
108	21030		21032
115	23024		23025
120	24029		24033
122			24032
125		25019	25022
128			25021
142		28020	
145		29014	
150		30018	
155		31012	
160		32010	
162		32011	
165		33009	
170		34010	
172		34011	
175		34009	
180		36008	
185		37008	
190		38011	
195		39011	
200		40013	
205		41001	
210		42006	

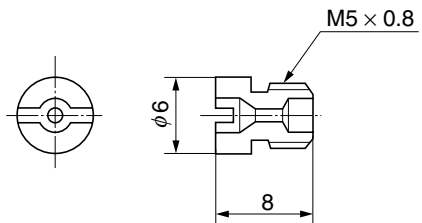
TYPE: CVK(S)/PWS



TYPE: PE/PWK/PWM/FCR-H/PJ




TYPE: CVR/CVK/FCR-H(MAJ)



The main jet size number is directly proportional to the amount of fuel being able to flow through under a given pressure.

PILOT JET (MIKUNI)

The table below shows the last five digits of the part number for all the available pilot jets classified by size and type.

PILOT JET PART #: 09492-

→ SHOWN BELOW

PILOT JET SIZE	TYPE CODE							
	VM22/210	VM22/140	BS30/96	N100606	N101043	VM28/486	M28/1001	N106340
12.5	12006						12001	
15	15007	15001				15005	15015	
17.5	17006	17001				17009	17004	17005
20	20008	20001				20009	20006	20005
22.5	22006	22001				22008	22005	22002
25	25005	25001				25007		
27.5	27003					27004		
30	30006	30002		30008		30007		
32.5	32001					32004		
35	35004	35001		35012	35005			
36.3					36003			
37.5	35006				35011	37002		
38.8					39001			
40	40004	40002	40007	40019	40011	40021	40006	
41.3					42009			
42.5			42007		42006	42024		
43.8			43004					
45	45009	45002	45015	45023	45011	45026		
46.3					46011			
47.5			47007		47003	47021		
48.8			48010					
50	50010		50011	50013	50008	50018		
52.5			52001		52002			
55	55005		55006	55010	55008	55013		
57.5			57002					
60	60004		60006	60007	60005	60013		
62.5				62002	62001			
65	65003			65005	65002	65007		
67.5				67001	67002			
70				70005	70001	70008		
72.5				72001	72002			
75				75002	75001			
77.5				77002				
80				80001	80003			
85				85003	85001			
87.5					87001			
90				90003	90002			
95				95002	95004			
100					20025			
105				21002				
110					22017			

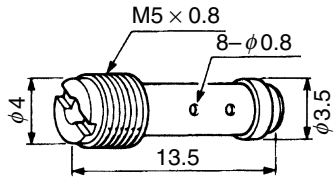
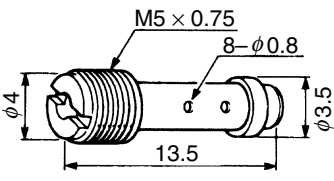
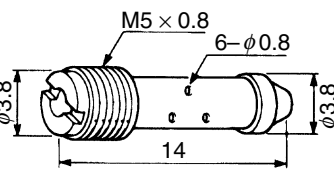
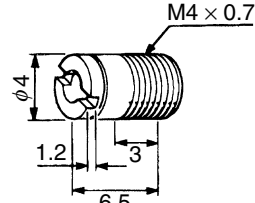
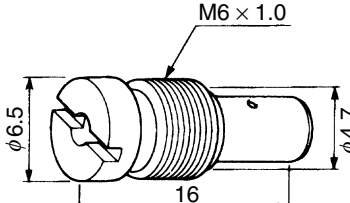
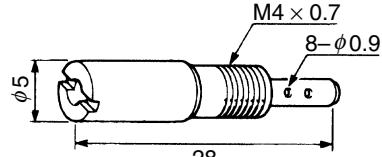
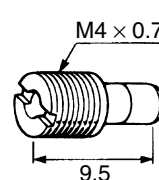
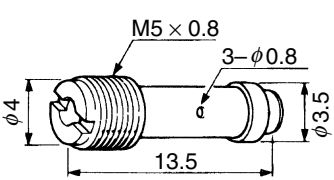
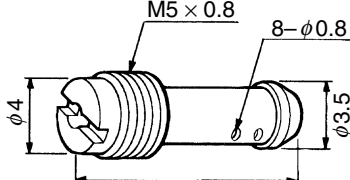
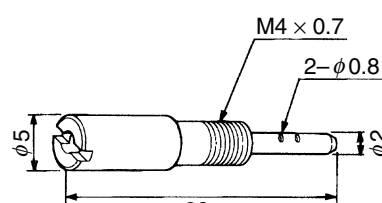
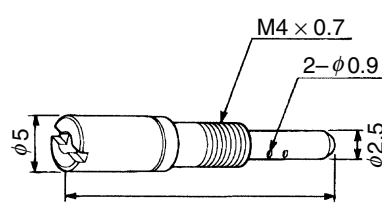
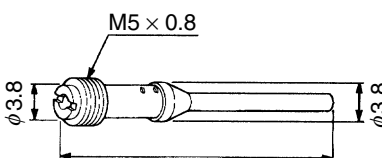
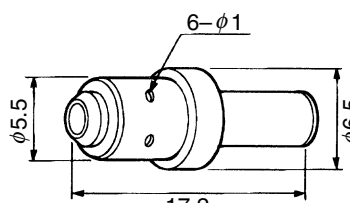
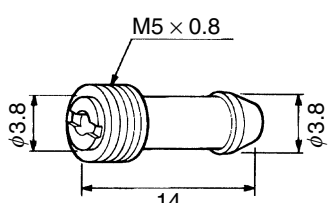
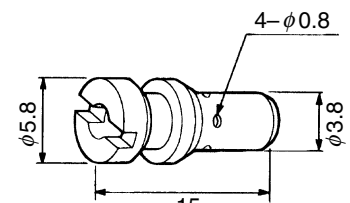
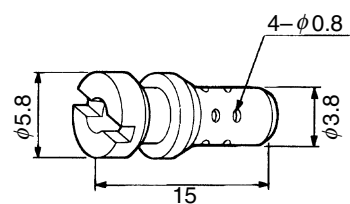
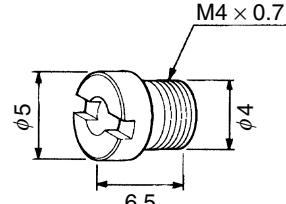
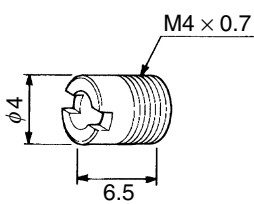
PILOT JET SIZE	TYPE CODE							
	VM22/210	VM22/140	BS30/96	N100606	N101043	VM28/486	M28/1001	N106340
112.5				22007				
115				23001	23002			
125				25006				
130				26001				
135				27006				
140				28001				
145				29001				
150				30004				
160				32005				
170				34003				
180				36001				

PILOT JET SIZE	TYPE CODE							
	N136230	N136300	N151067	N187106	N208222	N224103	VM13/281	VM13/352
10						10002		10001
12.5						12008	12003	12007
15						15017	15011	15016
17.5						17016	17012	17014
20						20024	20021	20023
22.5						22014		22010
25						25011		25009
27.5						27011		27012
30			30010			30014		30011
32.5			32006			32010		
35	35028		35008			35028	35018	
37.5			35010			37003	35017	
40	50021		40014			40028		
41.3	42008			41001				
42.5			42010	42015		42003	42017	
43.8				43002				
45	45018	45033	45016	45022	45031	45034		
45.6					45029			
46.3	46010	46003		46006	46009			
47.5	47006	47008	47013			47002	47019	
50			50022			50024		
52.5			52010					
55			55014			55018		
57.5			57004					

PILOT	N210620	N211100
32.5		32008
45		45028
47.5		47018
51.3		51005
52.5		52009
55		55015
60		60014
62.5		62003
70		70007


PILOT	N210620	N211100
72.5		72003
75		75005
80		80007
87.5		87002
100		20020
110	22015	09493– 22011
122.5	24001	
125		25012

PILOT	N210620	N211100
127.5	25013	
130		26002
135		27010
150		30015
160		09493– 32007
170		09493– 34003

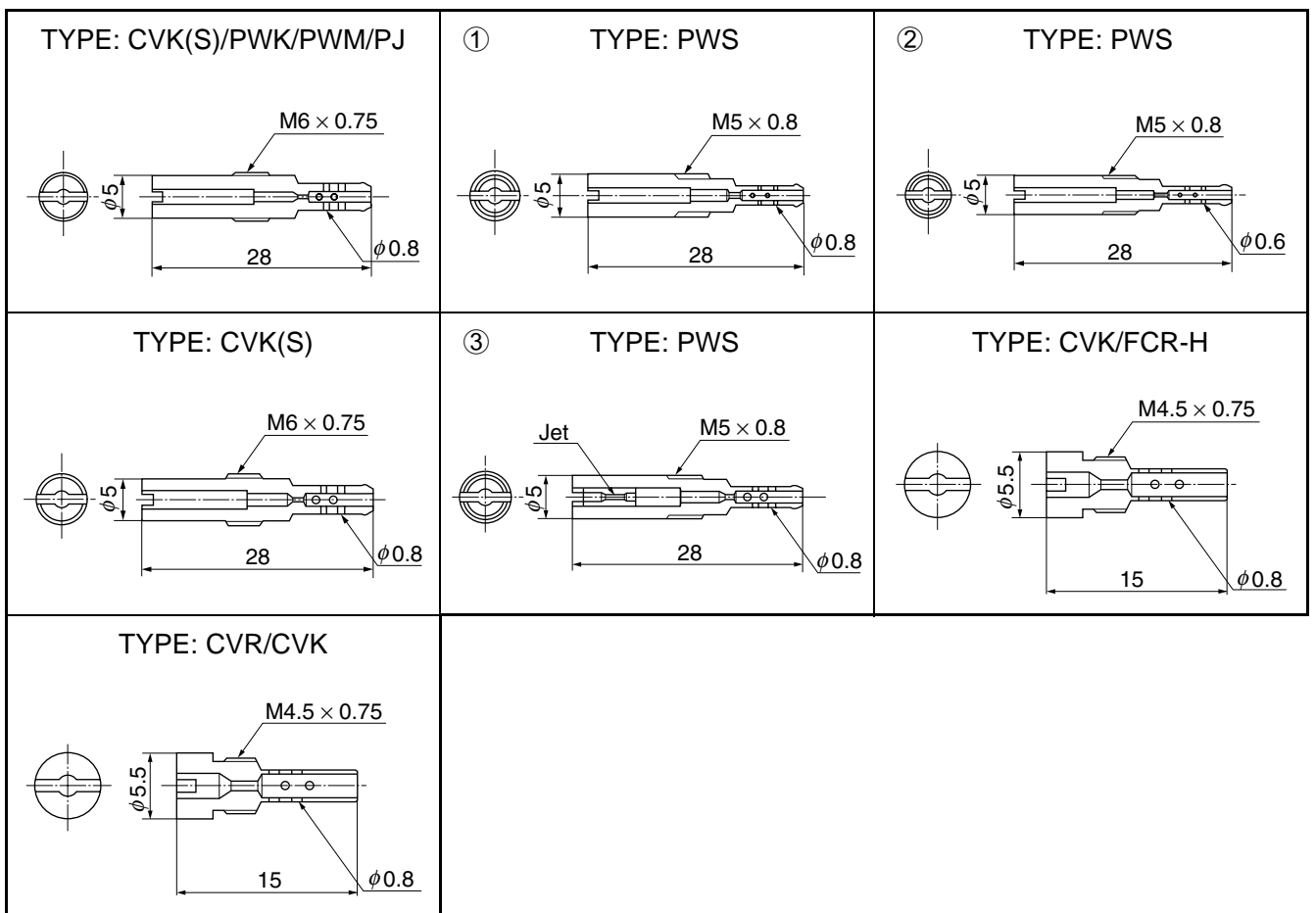
<p>TYPE: VM22/210</p> 	<p>TYPE: VM22/140</p> 	<p>TYPE: BS30/96</p> 
<p>TYPE: N100606</p> 	<p>TYPE: N101043</p> 	<p>TYPE: VM28/486</p> 
<p>TYPE: M28/1001</p> 	<p>TYPE: N106340</p> 	<p>TYPE: VM13/352</p> 
<p>TYPE: VM13/281</p> 	<p>TYPE: N224103</p> 	<p>TYPE: N208222</p> 
<p>TYPE: N187106</p> 	<p>TYPE: N151067</p> 	<p>TYPE: 136300</p> 
<p>TYPE: N136230</p> 	<p>TYPE: N210620</p> 	<p>TYPE: N211100</p> 

The pilot jet size number is directly proportional to the amount of fuel being able to flow through under a given pressure.

PILOT JET (KEIHIN)

PILOT JET PART #: 09492- → SHOWN BELOW


PILOT JET SIZE	TYPE CODE						
	CVK(S)/PWK/PWM/PJ	① PWS	② PWS	③ PWS	CVK(S)	CVK/FCR-H	CVR/CVK
35	35025			13351-35E00		35020	35020
38		38007	38003		38004		38005
40		40027			40026		
42	42019	42021	42020				42022
45	45032		45036			45038	
48	48013		48014				
50	50023						
52	52011						
55	55017						
58	58001						
60	60016						



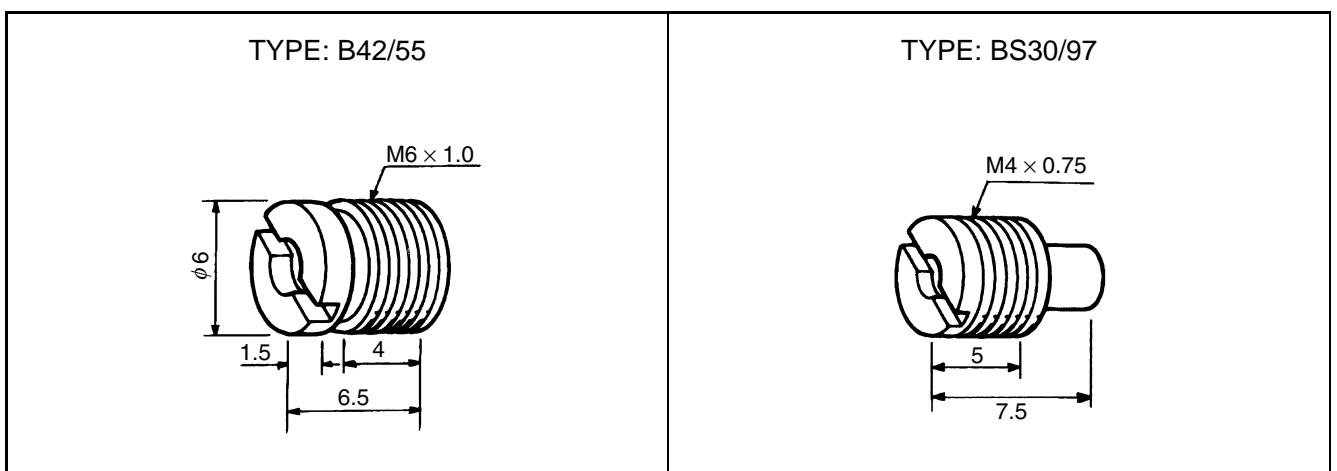
The pilot jet size number is directly proportional to the amount of fuel being able to flow through under a given pressure.

AIR JET (MIKUNI)

The table below shows the last five digits of the part number for all the available air jets classified by size and type.

AIR JET PART #: 09493- → SHOWN BELOW

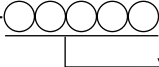
AIR JET SIZE	TYPE CODE		AIR JET SIZE	TYPE CODE	
	B42/55	BS30/90		B42/55	BS30/90
0		00001	30		30014
0.5		50004	45	45001	
0.6		60004	50	50003	
0.7		70009	52.5	52001	
0.8		80010	60	60003	
0.9		90006	70	70000	
0.95		95001	80	80012	
1.0		20007	100	20006	
1.1		22005	110	22006	22007
1.15		23002	115	23001	
1.2		24007	120	24005	24006
1.25		25003	125	25001	
1.3		26004	130	26005	
1.35		27002	135	27001	
1.4		28007	140	28005	
1.45		29002	145	29001	
1.5		30004	150	30003	
1.55		31001	155	30005	
1.6		32003	160	32002	
1.65		33001	170	34001	
1.7		34002	175	35001	
1.8		32004	180	36002	
1.9		38002	190	38001	
1.95		38003	200	40001	
2.0		40003	220	44001	
25		25011	230	46001	



The size number represents the diameter of the jet hole.

NEEDLE JET (MIKUNI)

The table below shows the last five digits of part number versus identification code for all the needle jets currently available.

NEEDLE JET PART #: 09494- SHOWN BELOW

IDENTIFICATION CODE		PART NUMBER	IDENTIFICATION CODE		PART NUMBER	IDENTIFICATION CODE		PART NUMBER
E0	110	00001	E2	198	00057	E3	232	00110
E2	110	00002	N6	107	00060	P3	159	00111
D8	110	00003	E2	107	00064	P8	171	00112
E0	137	00004	P6	188	00065	P2	232	00113
N6	138	00006	E2	139	00066	E4	155	00114
N6	147	00007	E4	139	00067	E0	132	00115
N6	136	00008	E2	155	00069	O8	172	00116
N2	136	00009	O0	164	00070	O4	182	00117
O4	136	00010	E1	110	00071	N6	206	00118
N6	122	00015	E0	202	00072	O4	236	00119
O4	129	00016	E1	155	00074	E7	195	00120
N6	126	00017	O2	164	00075	E4	198	00121
O2	180	00018	O0	162	00076	Q6	188	00122
O2	171	00019	O0	158	00079	P4	192	00123
E4	110	00022	O4	212	00080	P4	216	00124
O0	132	00023	E0	147	00081	P4	171	00125
N8	134	00024	O4	172	00082	Q4	171	00126
E6	132	00025	N8	187	00083	N5	238	00127
F2	156	00026	O2	187	00084	E3	165	00128
E0	135	00029	O6	187	00085	O0	169	00129
O0	136	00030	E5	195	00086	O2	126	00130
E8	156	00031	Q8	159	00087	E2	165	00131
D8	168	00033	O0	216	00089	E0	155	00132
E6	174	00034	E6	139	00090	E3	168	00133
E0	168	00035	O6	192	00092	E2	202	00134
P5	159	00036	O2	219	00093	O0	226	00135
Q0	159	00037	O4	214	00094	E4	168	00136
E2	168	00038	P3	188	00095	O6	159	00137
E0	179	00039	D8	165	00096	O4	187	00139
E4	165	00040	N6	223	00097	O4	206	00140
P8	159	00044	O4	192	00098	P0	172	00142
E8	132	00045	O6	171	00099	N8	238	00143
Q0	188	00047	Q2	159	00100	O6	182	00144
N6	184	00048	Q6	159	00101	O9	188	00146
E0	165	00049	O0	187	00102	O2	212	00147
E2	191	00050	O2	192	00103	N4	238	00148
P4	188	00051	P0	159	00104	O6	246	00149
P0	188	00052	O5	192	00105	Q2	166	00150
P2	188	00054	P2	216	00107	P1	188	00151
P5	188	00056	P0	171	00109	O5	212	00152

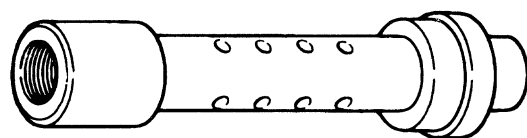
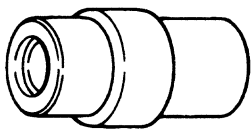
IDENTIFICATION CODE		PART NUMBER	IDENTIFICATION CODE		PART NUMBER	IDENTIFICATION CODE		PART NUMBER
O9	172	00153	O3	182	00202	O8	308	00255
N6	238	00154	O6	265	00203	E5	165	00256
R0	166	00155	F0	165	00205	O6	304	00257
O0	238	00156	O4	258	00206	E7	325	00258
O6	132	00157	N8	126	00207	P1	306	00259
O6	169	00158	E4	272	00210	Y3	326	00260
O6	195	00159	O2	195	00211	O9	306	00261
P4	169	00160	F3	107	00212	O7	306	00262
O0	182	00161	P3	282	00213	X6	266	00264
O8	182	00162	O3	147	00214	N5	126	00265
O3	238	00163	O4	147	00215	E6	334	00266
E6	168	00164	O2	220	00216	X1	338	00267
Q4	159	00165	P2	206	00217	E6	341	00268
P3	234	00166	P4	277	00218	X6	263	00269
O0	172	00167	P2	277	00219	O9	195	00281
O2	172	00168	O8	288	00220	E0	107	00283
O8	169	00169	P1	277	00222	D8	139	00284
O9	169	00170	O4	279	00223	Q0	327	00285
E4	232	00171	O2	258	00224	P9	327	00286
E6	198	00172	R4	159	00226	P8	327	00287
E1	165	00173	P7	258	00227	Y5	352	00289
R0	159	00174	E6	165	00228	O6	263	00290
P4	195	00175	P6	277	00229	O7	263	00291
R3	159	00176	O4	258	00230	O9	354	00292
P1	250	00177	E1	278	00231	P0	361	00294
R2	159	00178	P7	258	00232	R4	348	00295
C0	15	00179	E7	165	00233	R4	286	00296
O9	182	00180	E2	275	00234	P1	258	00297
O6	250	00182	E4	294	00235	P2	258	00298
P3	169	00183	O1	280	00236	O7	263	00300
P1	182	00184	O4	277	00237	O8	263	00301
Q3	159	00185	E0	278	00238	E7	349	00302
Q5	159	00186	E3	275	00240	Y6	352	00303
Q7	159	00187	E3	278	00241	P2	354	00304
R0	247	00188	O4	304	00242	O7	258	00305
R1	247	00189	E5	110	00243	P1	263	00306
R2	247	00190	O8	312	00244	P2	263	00307
R3	247	00191	N6	129	00245	P3	263	00308
R4	247	00192	R8	159	00246	P4	356	00309
R5	247	00193	R1	286	00247	P5	312	00310
R6	247	00194	P6	286	00248	P1	354	00312
P0	182	00196	S0	286	00249	P4	312	00314
E8	165	00197	P0	312	00250	P3	312	00315
O6	258	00198	R4	286	00251	R3	348	00317
O4	249	00200	O4	308	00252	Q6	286	00318
O0	169	00201	E1	320	00254	Y7	270	00319

IDENTIFICATION CODE		PART NUMBER	IDENTIFICATION CODE		PART NUMBER	IDENTIFICATION CODE		PART NUMBER
E1	107	00320	F1	379	00371	E5	349	00428
R8	327	00321	P2	393	00372	E7	349	00429
O9	312	00324	E8	349	00373	O0	243	00430
E2	295	00325	E0	413	00374	E8	435	00431
Y7	270	00326	O9	397	00375	O8	408	00433
O5	195	00327	O8	388	00377	O8	425	00434
F1	165	00328	P0	388	00378	O3	390	00435
P3	382	00329	O6	414	00379	O2	390	00436
P2	382	00330	E6	272	00380	O2	431	00437
X5	378	00331	P0	195	00381	E3	295	00438
P9	258	00332	O4	195	00382	E9	435	00439
R9	327	00333	O0	416	00383	E2	400	00440
E3	349	00334	O4	406	00384	F0	334	00441
O8	306	00335	O8	406	00385	E7	400	00442
O6	306	00336	O1	406	00386	E7	379	00443
P0	374	00337	P0	406	00387	P3	458	00452
E9	379	00338	O4	390	00388	R2	389	00453
X2	378	00339	O6	406	00389	P3	421	00454
O7	306	00340	P6	406	00390	P2	421	00455
D8	386	00341	O1	410	00392	O2	282	00456
Q3	286	00343	Q8	389	00393	O4	282	00457
Q4	286	00344	O9	414	00394	O6	282	00458
Q5	286	00345	P1	414	00395	E9	446	00459
Q7	286	00346	O8	393	00396	F1	446	00460
Q8	286	00347	E7	334	00397	O8	282	00461
Q9	286	00348	O4	429	00398	P2	458	00462
R0	286	00349	P0	425	00399	P3	458	00463
E7	110	00350	R4	389	00403	P4	458	00464
E3	135	00351	Y8	270	00406	E4	400	00465
O0	126	00352	P3	258	00407	O7	282	00466
F1	334	00353	O8	431	00408	O6	206	00467
E3	334	00354	N8	243	00409	X3	428	00468
O8	206	00355	Y5	270	00410	X5	428	00469
Q6	389	00356	X2	378	00411	O0	431	00470
R0	389	00357	D9	400	00412	P0	425	00471
X3	338	00358	E5	400	00413	O6	454	00472
X5	338	00360	E6	400	00415	Y7	397	00473
P2	405	00361	P0	393	00417	Y9	459	00476
O9	408	00362	O8	422	00418	Y9	459	00477
P1	408	00363	E7	400	00419	P6	477	00479
P0	258	00364	P2	440	00420	E4	349	00480
E1	400	00365	P3	440	00421	Y5	397	00481
X2	338	00367	E3	400	00422	P4	466	00482
O0	412	00368	Y9	270	00425	F3	485	00483
O8	402	00369	P2	425	00426	E8	485	00484
P2	393	00370	O1	443	00427	O8	195	00486

IDENTIFICATION CODE		PART NUMBER	IDENTIFICATION CODE		PART NUMBER	IDENTIFICATION CODE		PART NUMBER
E3	413	00487	O1	390	00540	O4	584	00596
N8	390	00490	X8	534	00541	P9	535	00597
Q1	327	00491	P8	513	00542	Y5	589	00598
O0	390	00492	P0	431	00543	Y5	589	00599
P4	493	00493	E1	139	00545	E8	400	00600
P1	421	00498	E3	519	00546	F2	400	00601
P6	306	00499	E3	546	00547	E7	593	00602
E1	502	00500	D9	549	00548	E6	593	00603
P0	459	00501	E4	268	00550	O5	454	00605
P1	443	00502	O6	462	00551	P5	592	00606
P3	459	00503	F0	446	00552	P6	306	00607
P4	443	00504	E0	549	00553	P6	600	00608
Y7	459	00505	R0	327	00555	E5	546	00609
Y8	459	00506	R2	327	00556	E4	546	00610
N9	243	00507	R4	327	00557	E0	400	00611
O2	443	00508	R6	327	00558	O7	597	00613
P5	514	00509	S0	327	00559	O8	597	00614
E0	400	00510	Q6	327	00560	O9	597	00615
D9	508	00511	O8	554	00561	F3	400	00616
P4	513	00512	N1	390	00562	E0	603	00620
P6	512	00513	O1	243	00563	O6	597	00621
P5	513	00514	E0	546	00564	E8	593	00622
P5	504	00515	Q0	535	00565	P9	607	00623
P2	459	00516	N5	390	00566	P8	607	00624
O8	509	00518	S2	327	00569	Q0	607	00625
P0	282	00519	O9	459	00570	X2	590	00626
P5	306	00520	P2	443	00571	P4	513	00627
O7	402	00521	O9	459	00572	O2	461	00629
P2	282	00522	P3	443	00573	Y2	608	00630
P4	282	00523	E4	563	00574	P4	509	00631
E4	435	00524	O6	554	00575	O0	472	00632
E5	435	00525	E0	435	00576	Y1	608	00633
Q3	327	00526	E1	349	00577	O9	615	00634
P0	522	00527	E8	349	00578	O8	615	00635
E2	519	00528	O6	567	00579	O5	462	00637
E3	435	00529	P4	509	00580	O8	619	00638
P8	535	00530	O1	570	00581	O9	619	00639
E6	435	00531	P9	443	00583	O3	584	00640
E7	435	00532	P8	282	00584	O2	584	00641
O9	462	00533	P6	282	00585	O9	621	00642
D8	334	00534	P0	537	00586	O0	618	00643
P2	537	00535	P2	459	00588	P1	421	00644
O9	537	00536	N7	390	00591	P0	620	00645
X6	534	00537	P4	459	00592	P1	620	00646
E5	539	00538	E6	563	00594	P2	620	00647
X7	534	00539	O4	584	00595	P3	620	00648

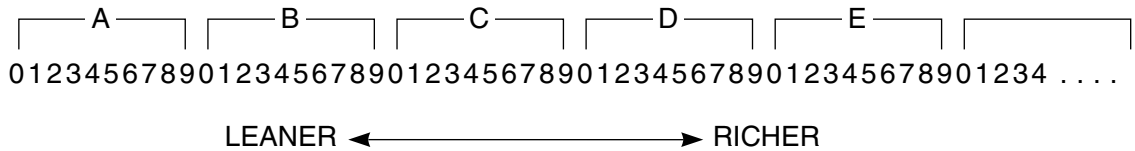
IDENTIFICATION CODE		PART NUMBER	IDENTIFICATION CODE		PART NUMBER	IDENTIFICATION CODE		PART NUMBER
E9	593	00649	O5	643	00704	P1	408	00756
P3	629	00650	D9	593	00705	E3	325	00757
P4	629	00651	X7	642	00706	F5	684	00758
P5	629	00652	O1	656	00707	P2	696	00759
O5	597	00653	O0	622	00709	P3	696	00760
Y4	630	00654	O9	602	00710	P4	696	00761
N8	618	00655	P0	659	00711	E0	663	00762
O2	618	00656	E3	662	00714	P3	589	00763
O4	618	00657	O9	659	00715	X8	693	00764
O6	621	00658	P2	513	00716	X9	692	00765
N9	622	00659	N9	622	00717	O3	643	00766
E3	626	00660	E3	663	00718	O5	643	00767
P2	631	00661	E2	641	00719	O3	680	00768
P0	631	00662	Y1	642	00720	O6	679	00770
P1	597	00663	P2	624	00721	O7	680	00771
P2	597	00664	E2	663	00722	E7	435	00772
O1	622	00665	O7	584	00723	E8	435	00773
N8	622	00666	O8	631	00724	E9	435	00774
P0	621	00667	O8	421	00725	E5	593	00775
P0	597	00668	O6	619	00727	E0	593	00776
P2	589	00669	E2	278	00728	O8	462	00777
E0	484	00670	Q7	389	00729	E3	198	00778
P3	589	00671	P1	584	00730	O9	584	00779
O5	584	00672	O8	619	00731	P3	597	00780
O5	584	00673	E4	663	00732	O8	695	00781
E4	641	00674	O7	619	00733	N6	622	00782
O8	631	00675	F6	334	00734	E3	593	00783
O8	648	00677	F0	379	00735	P4	597	00784
X9	642	00678	P0	462	00737	O8	699	00787
P3	631	00679	O8	584	00738	D8	701	00788
P4	631	00680	O8	676	00740	P1	698	00789
P8	640	00681	O7	656	00741	P0	704	00790
O1	618	00682	E6	663	00742	O4	206	00791
P9	649	00683	X9	642	00743	O9	621	00792
Y3	642	00684	P0	659	00744	O8	713	00793
P4	459	00686	E7	663	00745	P2	431	00794
P4	535	00687	P4	535	00746	O1	618	00795
P6	459	00688	E1	662	00747	P3	706	00799
P7	535	00689	O2	584	00748	P2	699	00800
O8	584	00690	X9	683	00749	P2	624	00801
O0	584	00691	P3	535	00750	O8	720	00802
O8	644	00693	O8	647	00751	O8	698	00804
O6	584	00696	P1	459	00752	P4	706	00805
D7	107	00697	P5	535	00753	P5	706	00806
N8	651	00702	Y2	691	00754	O8	431	00807
P8	306	00703	X9	689	00755	N4	690	00808

IDENTIFICATION CODE		PART NUMBER	IDENTIFICATION CODE		PART NUMBER	IDENTIFICATION CODE		PART NUMBER
O9	698	00809	P5	755	00838	O7	753	00867
O9	718	00810	N6	736	00839	O9	779	00868
E1	716	00811	N7	736	00840	P6	649	00870
O9	714	00812	N8	736	00841	O3M	773	00871
P0	717	00813	N9	736	00842	O9M	783	00872
O8	714	00814	O0	736	00843	P1M	784	00873
P3	725	00815	O1	736	00844	P2M	784	00874
P2	706	00816	P7	680	00846	P4	649	00876
E2	701	00817	E3	767	00848	P5	649	00877
O8	718	00818	F4	593	00849	P7	649	00878
P3	718	00821	O8M	759	00851	P8	649	00879
P1	589	00822	O8M	760	00852	P5M	771	00881
E3	701	00823	O8M	757	00853	Y5	734	00882
E4	701	00824	O9M	758	00854	D5M	773	00883
P5	592	00825	P3	459	00855	Y5M	782	00884
E7	701	00826	P3	443	00856	E0	749	00885
D7	701	00827	P2	762	00857	E3	749	00886
O8	679	00828	P2M	771	00858	D9	749	00887
O4	727	00829	P4M	771	00859	E0	716	00888
P4	680	00832	O7	448	00860	O7	796	00889
P1	753	00833	X7	766	00861	O4	753	00890
O7	755	00834	F3	593	00862	O1	811	00896
O9	755	00835	D9	716	00864			
P1	755	00836	E0	701	00865			
P3	755	00837	O7	780	00866			



To identify the jet, two codes are stamped on the jet, one with a two-digit alphanumeric code and the other a three-digit numeric code. These two codes are located with space, not adjacent to each other.

The alphanumeric code denotes size of the bore which meters the fuel flow in combination with the needle jet. The alphabetical letter in the code is the classification of the size range: the later in alphabetical order, the larger the size of the bore. The number in the code shows smaller calibration within a given size range: the greater the number, the larger the size of the bore. The following shows the example in terms of carburation, rich or lean.



The three-digit numeric code denotes the type and dimensions other than the size of bore where the fuel is metered. When replacing the needle jet with that of either the same or different alphanumeric code, make sure that the three-digit numeric code agrees with one being replaced. Otherwise, installation difficulty or unexpected carburetion problem may result.

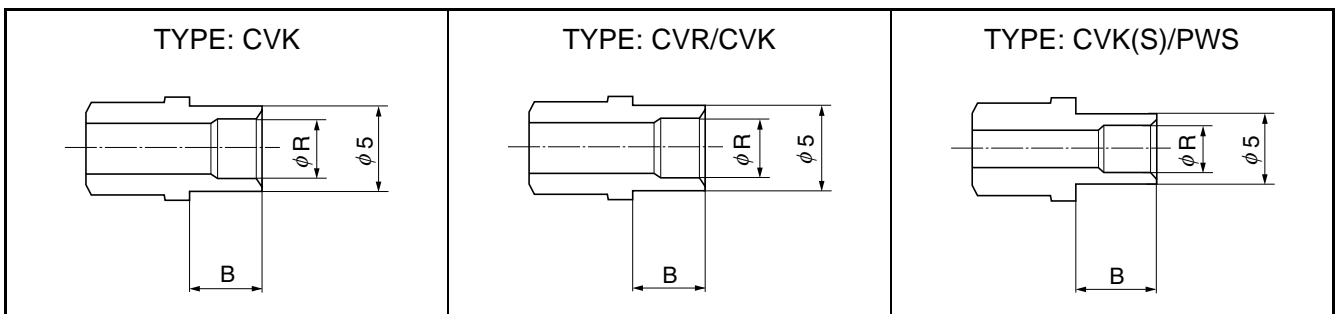
NEEDLE JET (KEIHIN)

NEEDLE JET PART #: 09494- → SHOWN BELOW

NEEDLE JET SIZE	TYPE CODE			
	CVK		CVR/CVK	
B	ϕR	PART NUMBER	ϕR	PART NUMBER
4	$\phi 3.4$	00863	$\phi 3.4$	00869

NEEDLE JET PART #: 13341- → SHOWN BELOW

NEEDLE JET SIZE	TYPE CODE					
	CVK		CVR/CVK		CVK(S)/PWS	
B	ϕR	PART NUMBER	ϕR	PART NUMBER	ϕR	PART NUMBER
3.5					$\phi 3.0$	14F00
4	$\phi 3.8$	03FA0				
4.5					$\phi 2.8$	06F80
5			$\phi 3.8$	03FB0		
5.5			$\phi 3.8$	15F00		
6			$\phi 4.0$	03G00		
6					$\phi 2.4$	35E00
6					$\phi 2.8$	43E00



JET NEEDLE (MIKUNI)

The table below shows the last five digits of part number versus needle's alphanumeric code for all the jet needle currently available.

JET NEEDLE PART #: 13383-○○○○○

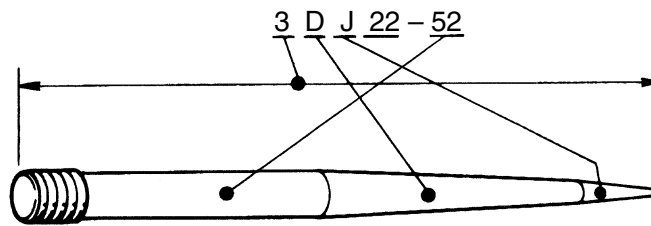
→ SHOWN BELOW

CODE#	PART#	CODE#	PART#	CODE#	PART#	CODE#	PART#	CODE#	PART#	CODE#	PART#
3CF1	06400	3I10	13610	4DO1	23400	4E14	20010	5D20	24A20	5D32	39A00
3CR3	41D30	3J04	19410	4DP53	01A30	4F19	36600	5D22	38A20	5D35	38B00
3CT2	40D50	3J17	46B00	4DZ42	05300	4F23	44010	5D24	24A10	5D39	38B90
3D4	26620	3JL9	46240	4E6	95100	4F29	44120	5D26	42A00	5D41	29331
3D16	46790	3K3	11B00	4E44	26300	4F53	12B40	5D29	06B10	5D43	40C30
3D20	26900	3L10	46160	4EJ14	39110	4FCH51	29B50	4FL38	39370	5D44	46E40
3D24	13670	3L13	35690	4F6	07010	4FD1	38D10	4FL47	05360	5D48	45C50
3DJ1	13620	3L15	43250	4F10	07630	4FL36	01400	4FL52	08B10	5D50	45110
3DJ6	13680	3L19	355440	4F17	08411	4FL41	39190	4G2	39010	5D51	46E50
3DL2	30D00	3L20	29A10	4F22	46410	4FL48	29B02	4GL27	29B11	5D58	49200
3E2	04110	3L26	29C10	4F43	12B00	4FM37	12680	4I2	27110	5D61	38E10
3E18	98420	3L30	29C50	4FCH1	05400	4GJ24	39390	4J11	36210	5D65	44A20
3F12	22020	3L39	21D60	3L29	40D00	4I1	23010	4J29	46620	5D69	44200
3F14	02500	3M3	10B10	3L31	09D10	4J13	39610	4JL43	23440	5D75	46E60
3FL16	26920	3M5	37B11	3L38	09E10	4J25	39120	4JT38	05320	5D77	42AC0
3FL29	16D20	3M7	03A72	3M2	17B00	4J31	36500	4JU42	18910	5DF5	45D00
3G9	27010	3M12	41D20	3M4	04C00	4JR39	18900	4L13	39140	5DF15	33D10
3I3	03A50	3N4	35630	3M6	03A91	4JR45	18A01	4L27	03400	5DF90	11910
3I9	35410	3N15	47A00	3N8	30A10	4JT44	24500	4P6	39200	5DF91	38300
3I14	17230	3N17	28B00	3N16	30A20	4L15	93111	5C8	15500	5DFT12	31E30
3J2	19600	3N20	03A90	3N19	35570	4L29	23060	5C13	43530	5DFT76	11930
3J14	03A10	3P10	31C80	3N26	35090	5C7	43400	5C16	24B40	5DH4	29010
3J22	41D00	3Q4	35680	3N29	355A0	5C10	43440	5C28	45400	5DH7	32C10
3K2	16B00	3R4	09C10	3Q10	23450	5C15	43560	5C32	45410	5DH9	01D10
3L4	06111	3R7	31C01	3R10	09C70	5C17	24B00	5C34	46E20	5DH48	30910
3L11	43200	3R11	40D30	3R14	21D40	5C29	38E00	5C39	24C40	5DJ5	33C00
3L16	02930	3R16	21D70	3T16	09400	5C33	37100	5C64	43410	5DJ10	33C10
3C3	02160	3T17	02A01	3T18	02A00	5C35	37110	5CD18	14D60	5DL5	34A10
3CJ3	17300	3T19	09440	3X4	29A30	5C40	24C60	5CD22	15E00	5DL10	32C50
3CR11	25E10	3X15	37B20	3X16	37B12	5C44	37400	5CD55	44500	5DL13	18630
3CV1	136A0	3X17	37B30	3X18	37B60	5C46	37410	5CDT61	44450	5DL28	12B30
3D13	02400	4C3	44100	4C7	28A00	5C53	11900	5CF9	11D00	5DL36	45030
3D23	02100	4C8	27B00	4C9	27B30	5CD16	14D20	5CH6	11E00	5DL82	49310
3D25	17240	4CFX16	33202	4CG1	10301	5CD20	14D70	5CM1	21A00	5DM2	41B10
3E3	19010	4CH1	38400	4CX2	20E20	5CD27	14D80	5CN3	18620	5DP1	01A00
3E6	98410	4CZ4	19C20	4CZ3	19C10	5CD56	14D10	5CT38	11400	5DP5	40A00
3F3	19011	4D8	20600	4CZ5	19C30	5CDT60	44460	5D3	58011	5DP11	41620
3F13	02330	4D17	36110	4D13	06B00	5CDX10	06C00	5D14	00A10	5DP39	46900
3FL15	46540	4DG6	10010	4DH23	48420	5CHT40	11420	5D21	38A00	5DT88	38210
3FL17	04700	4DH7	33010	4DL1	39350	5CN21	11300	5D23	38A10	5DV01	31E20
3G17	35060	4DJ3	05350	4DN18	31210	5D10	34621	5D25	42A10	5DX85	44410
3I5	98490	4DN3	13710	4DZ35	05310	5D10	31310	5D27	38A30	5DZ22	35C00

CODE#	PART#	CODE#	PART#	CODE#	PART#	CODE#	PART#	CODE#	PART#	CODE#	PART#
5E56	40C00	5DM1	41B01	5L9	05230	5FP85	42A20	6F87	15A60	6EHL6-3	00B20
5D33	39A10	5DP7	28700	5L21	19B00	5FU96	02C01	6FJ11	30111	6EJ12-56	26C20
5D38	38B80	5DP28	29110	6AAY1-67	05D00	5FZ89	17C00	6FJ41	14220	6EN11-53	01B30
5D4	19B50	5DP74	41530	6AEJ1-60	28C30	5FZ91	17C20	6FL3-46	42EQ0	6EN11-55	01B45
5D42	40C20	5DT89	38310	6AEJ1-63	28C20	5GN56	23E10	6FL65-54	12C00	6F6	12E00
5D44	40C40	5DV03	31E00	6AEJ2-64	27C10	5HN31	25C00	6FL84-5	22D50	6F10	12E20
5D47	45C20	5DX87	44400	6AEJ2-66	27C20	5I14	11C02	6FL89-55	22D70	6F23-1	32E10
5D49	45C00	5E53	44B00	6AEL1-59	28C60	5L8	05220	6FLD72-56	12C20	6FJ6	16510
5D51	38B40	5E60	40C10	6AEL1-61	28C80	5ZDZ3	17D20	6FM46	14230	6FJ19	92311
5D52	24D00	5E72	45C30	6AFL1-60	28C90	5ZDZ5	17D10	6FN84	13E00	6FJ40	14300
5D55	26D30	5E78	07C00	6BEJ6-65	43D10	6AEJ1-59	28C40	6FP55	14510	6FJV54	13A00
5D57	45120	5E93	21E00	6BEJ6-67	43D20	6AEJ1-61	28C10	6FP63	01C10	6FL3-48	42ER0
5D59	49210	5E95	21E20	6C2	03D10	6AEJ1-64	28C50	6G7	14A70	6FL81-55	19D00
5D62	46E30	5E97	21E10	5E88	17E30	6AEJ2-65	27C00	6GH09-55	22D60	6FL85-55	22D00
5D67	19B60	5EL45	36A00	5E94	23E00	6AEL1-60	28C70	6GH13-55	22D80	6FL92	19D10
5D70	16E00	5EL68	08D00	5E96	32D80	6AFL1-59	28CA0	6GL1-55	19D30	6FLD86-56	22D10
5D76	27E00	5EN90	33C60	5E99	21E30	6AFL1-61	28CB0	6H11	12D00	6FN83	15D00
5DF4	15D60	5EZ54	32C00	5E118	29500	6BEJ6-66	43D00	6H13	12D20	6FP60	01C00
5DF9	38380	5EZ62	20C10	5EL53	36A30	6BGK1	29E00	6H21	32E20	6G1	37200
5DF17	21EC0	5EZ64	20C30	5EN74	33C50	6BGK8	29E30	6J8	15A50	6G5	47D00
5DF90	38370	5EZ74	10D10	5EP51-20	15110	6CKF1-56	12C10	6ZD13	41C00	6GH8-55	22D20
5DFD7	47D50	5F7	24E00	5ES1	12011	6DH6	43B00	6ZD16	17E00	6GH12-57	19D20
5DFT13	31E10	5F103	44C30	5EZ61	20C00	6DH20	40600	6ZD20	46E10	6GH24-53	42E00
5DFX2	06C50	5F105	44C10	5EZ63	20C20	6DJ33	00B00	6ZE11	17D30	6H6	37430
5DH5	34A00	5F108	45C60	5EZ67	10D00	6DL24-61	13A60	6ZL4	07D00	6H12	15A30
5DH8	01D00	5F11	44C40	5EZ8	33D00	6DP3	27A10	9D2-51	18E30	6H20	13D10
5DH13	02D00	5F71	05A30	5F8	17E10	6E20	03D00	6CM1	14A00	6I4	12D10
5DH55	29900	5FL1	24E20	5F104	44C00	6E38-54	33E00	6DH3	16611	6ZD7	17D00
5DJ2	05C00	5FP17	15310	5F107	45C40	6E41-55	33E20	6DH7	92010	6ZD14	18D10
5DJ7	02D10	5FP96	14D00	5F109	45C10	6EJ12-53	26C15	6DHY36	08D10	6ZD19	46E00
5DL1	20900	5FZ102	44C20	5F12	25110	6EJ12-55	26C00	6DJ4	01B15	6ZD21	46E70
5DL7	48B00	5FZ90	17C10	5F22	32600	6EJ12-57	26C25	6DK1	38230	6ZDY18	17E20
5DL11	48B20	5HN23	22A00	5F42	47090	6EN11-54	01B50	6DP1	30111	6ZEZ3	07D10
5DL15	48B10	5HP24	13A20	5F70	05A00	6EP5	14500	6DP17	41510	9D1-52	18E20
5DL24	49B00	5I15	24400	5F93	17C30	6F7	12E10	6E29	03D50		
5DL35	47010	5JP15	44A00	5FJV81	23A00	6F19	32E00	6E39-55	33E10		


The stamped alphanumeric code denotes the dimensions as follows:

EXAMPLE



- 3.....Denotes overall length: The number “3” indicates the 30 – 39 mm length range.
- D.....Denotes taper angle: The angle increases in alphabetical order.
- J.....Denotes the 2nd taper angle, if applicable: The angle increases in alphabetical order.
- 22.....Manufacturer’s code.
- 52.....Denotes diameter: The number “52” indicates the 2.52 mm.

JET NEEDLE (KEIHIN)

JET NEEDLE PART #: 13383- → SHOWN BELOW

PRESS FIT				
TYPE	PART	MARK	ϕ D	L
CVK	26E20	N1QA	2.525	53
	26EA0	N2NQ	2.525	53
	03F50	N2NR	2.525	52.55
	26E10	N76L	2.525	52.33
	03FA0	N5AC	1.873	52.55
	26E30	N76L	2.525	52.55
	15F00	N8CA	2.430	57.95
	03G00	NBAY	2.420	58.4
	38F00	NBZA	2.440	57.5
CVK(S)	20EK0	5DECP	2.005	43
	14F00	N7AD	2.000	47.65
	11F00	8BJCN	2.000	43
	34FA0	NBPA	2.040	43
	34F50	NBPB	2.050	43
	34F60	NBUA	2.000	42.8
CVK/CVR	26E00	N1QJ	2.525	52.33
CVR	26E20	N1QL	2.525	53.22
	03FB0	NAGL	2.525	51.65
PWS	43E40	N8LB	2.005	31.2
	06F80	N8LC	2.005	31.2
	43E60	9SNGN	2.015	31.2

CLIP				
TYPE	PART	MARK	ϕ D	L
FCR-H	29F00	0BDXP	2.735	103.5
PJ	44E20	R1472L 1L	2.725	64.5
	43D50	R1467NS	2.675	64.5
	28E30	R1470NS	2.705	64.5
	28E50	R1471NS	2.715	64.5
	29E40	R1472M 1L	2.725	64.5
	PWK	37EK0	N1EI	2.735
37E40		N1ED	2.685	64.5
44EA0		R1480S 3S	2.805	64.5
37EQ0		N3WK	2.755	64.5
37F40		N8RH	2.725	64.5
PWK/PJ	28E00	R1469M 0XHMK	2.695	64.5
PWS	43E10	3LLM	2.010	38.8
	43E00	3LLN	2.015	38.8
	35E20	N4TH	2.025	38.8
	35E10	N4VJ	2.035	38.8
	35E00	N4WA	2.015	38.8
	06F30	N4WB	2.015	38.8
	43E20	N4WD	2.005	38.8
	35E30	N5GJ	2.035	38.8

