



SUZUKI®

DR350

(Dirt Model Only)

Spare Parts Catalog

1990 – 1996

Accuracy

I've made every attempt to ensure the data within this document is accurate. However, mistakes do happen. Be sure to double check everything before you place an order and get stuck with the wrong part. If you discover a mistake, please let me know.

Letter Designations

Suzuki uses alphabetic codes to differentiate model years. These letter codes are referenced throughout this spare parts catalog. Here they are in case you've forgotten:

L	1990
M	1991
N	1992
P	1993
R	1994
S	1995
T	1996
V	1997
W	1998
X	1999

FIG.1

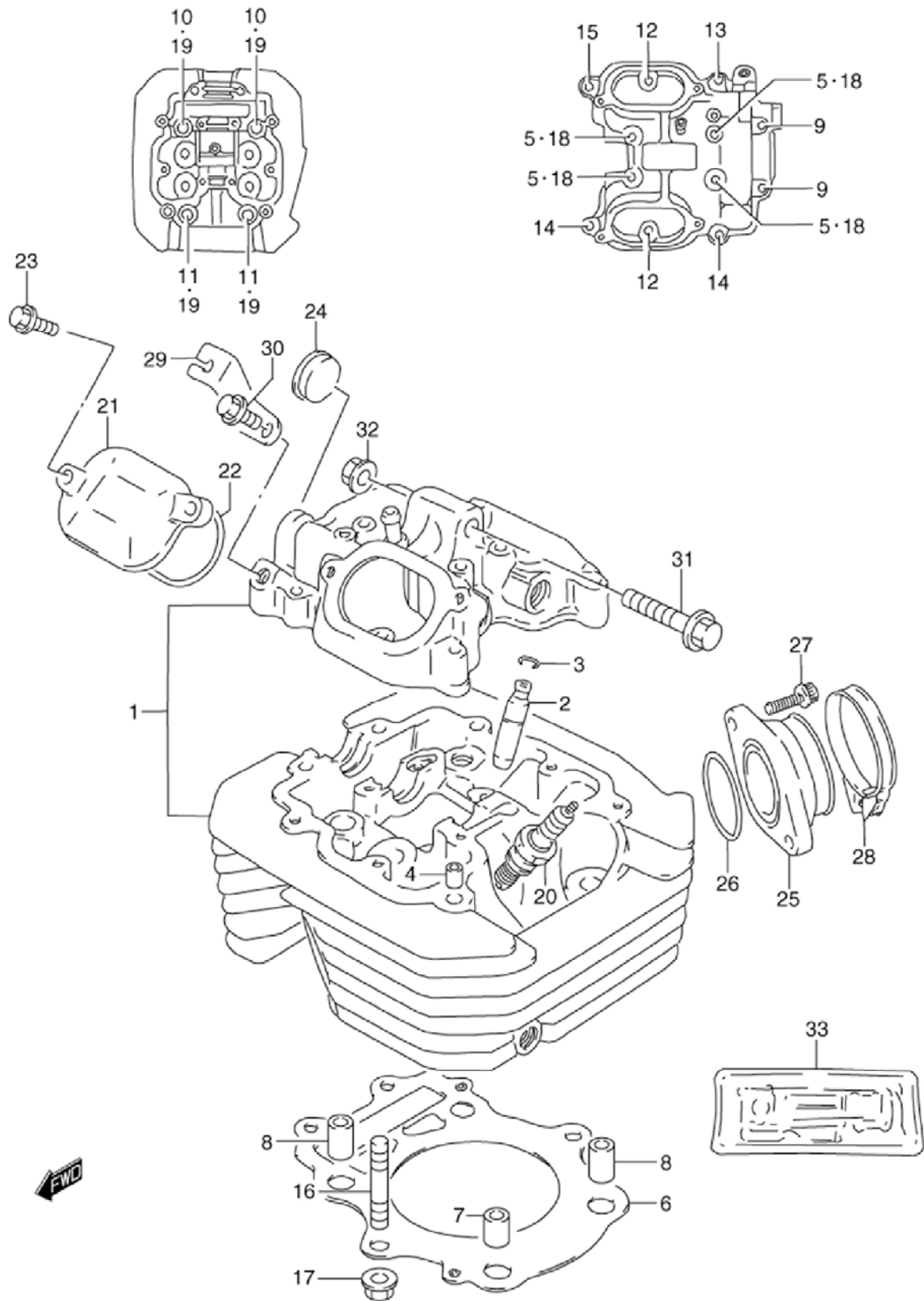


Table 1. CYLINDER HEAD

Reference Number	Quantity Required	Part Number	Description
1-1	1	11100-14D02	HEAD ASSY, CYLINDER
1-2	1	11100-14D02	HEAD ASSY, CYLINDER
1-3	1	11100-14D02	HEAD ASSY, CYLINDER
1-4	1	11100-14D20	HEAD ASSY, CYLINDER
1-5	1	11100-14D50	HEAD ASSY, CYLINDER
2-1	4	11116-06B70	GUIDE, VALVE (OS:0.3)
2-2	4	11115-14D71	GUIDE, VALVE (OS:0.3)
2-3	4	11115-14D71	GUIDE, VALVE (OS:0.3)
3	4	09381-10004	.SNAP RING
4	2	09206-08001	PIN
5	4	09103-06102	.BOLT (6X55)
6-1	1	11141-14D01	GASKET, CYLINDER HEAD
6-2	1	11141-14D01	GASKET, CYLINDER HEAD
7	1	04211-13189	PIN
8	2	09206-13004	.PIN
9-1	2	09103-06052	BOLT (6X115)
9-2	2	09103-06167	BOLT (6X115)
10	2	09103-10178	BOLT (10X180)
11	2	09103-10223	BOLT
12-1	2	01550-06257	..BOLT
12-2	2	01550-0625A	BOLT
13-1	1	01550-06307	BOLT
13-2	1	01550-0630A	BOLT
14	2	09103-06108	BOLT (6X35)
15-1	1	09103-06026	.BOLT (6X39)
15-2	1	09103-06504	BOLT (6X39)
16	2	09108-08142	STUD BOLT (8X30)
17-1	2	08316-10087	..NUT
17-2	2	08316-1008B	NUT
18	4	09168-06023	WASHER, OIL GALLERY EXHAUST
19	4	09160-10039	WASHER (10.5X22X2.3)
20-1	1	09482-00330	SPARK PLUG, DPR9EA-9 (NGK)
20-2	1	09482-00331	SPARK PLUG, X27EPR-U9 (ND)
20-3	1	09482-00410	SPARK PLUG (NGK,CR9EK)
20-4	1	09482-00459	SPARK PLUG (ND,U27ESR-N)
20-5	1	09482-00334	SPARK PLUG (NGK, DPR8EA-9)
20-6	1	09482-00412	SPARK PLUG (NGK,CR8EK)
20-7	1	09482-00462	SPARK PLUG (NGK,CR10EK)
20-8	1	09482-00413	SPARK PLUG (DENSO,U24ETR)
20-9	1	09482-00463	SPARK PLUG (DENSO,U31ETR)
21-1	2	11175-47D00	CAP, INSPECTION
21-2	2	11175-47D00	CAP, INSPECTION
22-1	2	11177-14D01	O RING
22-2	2	11177-14D01	O RING
23-1	4	01550-06207	BOLT
23-2	4	01550-0620A	BOLT
24	1	09241-25007	PLUG, HEAD
25	1	13101-14D01	PIPE, INTAKE
26	1	09280-40010	.O RING, INTAKE PIPE
27-1	2	07120-0620B	BOLT
27-2	2	07120-0620B	BOLT
28	1	09402-52208	CLAMP, CARB
29	1	12944-14A00	HOLDER, DECOMP CABLE
30-1	1	01550-0816A	PLUG, T/M OIL DRAIN
30-2	1	01550-0816A	PLUG, T/M OIL DRAIN
31	1	09103-08280	BOLT (8X65)
32	1	08319-31087	NUT
33-1	1	11401-14860	GASKET SET
33-2	1	11401-14860	GASKET SET
33-3	1	11401-14860	GASKET SET
33-4	1	11401-14860	GASKET SET
33-5	1	11401-14860	GASKET SET

FIG.2

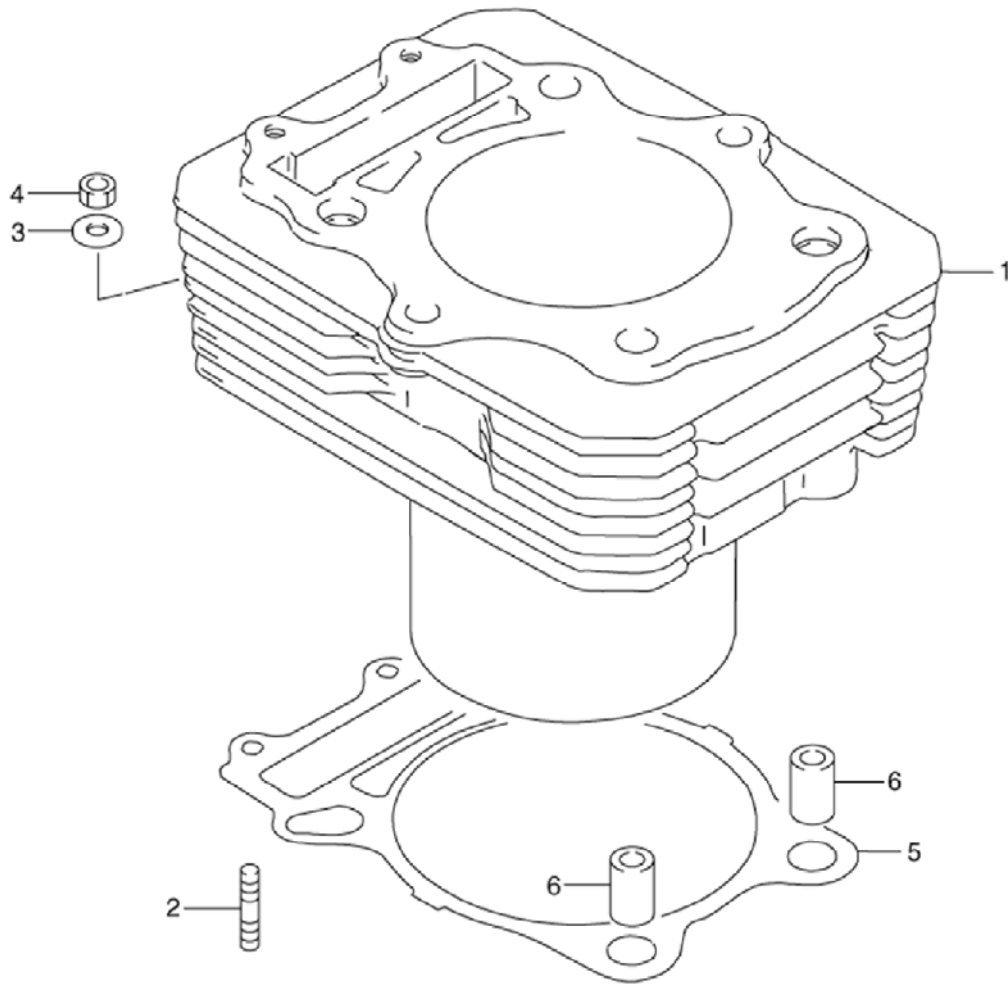


Table 2. CYLINDER

Reference Number	Quantity Required	Part Number	Description
1-1	1	11210-47D00-0F0	CYLINDER
1-2	1	11210-47D00-0F0	CYLINDER
1-3	1	11210-47D00-0F0	CYLINDER
1-4	1	11210-47D00-0F0	CYLINDER
2	2	01421-0620A	STUD BOLT
3-1	2	08322-0106A	WASHER
3-2	2	08322-0106A	WASHER
4-1	2	09140-06502	NUT
4-2	2	09140-06502	NUT
5	1	11241-14D01	GASKET, CYLINDER
6	2	04211-13189	PIN

FIG.3

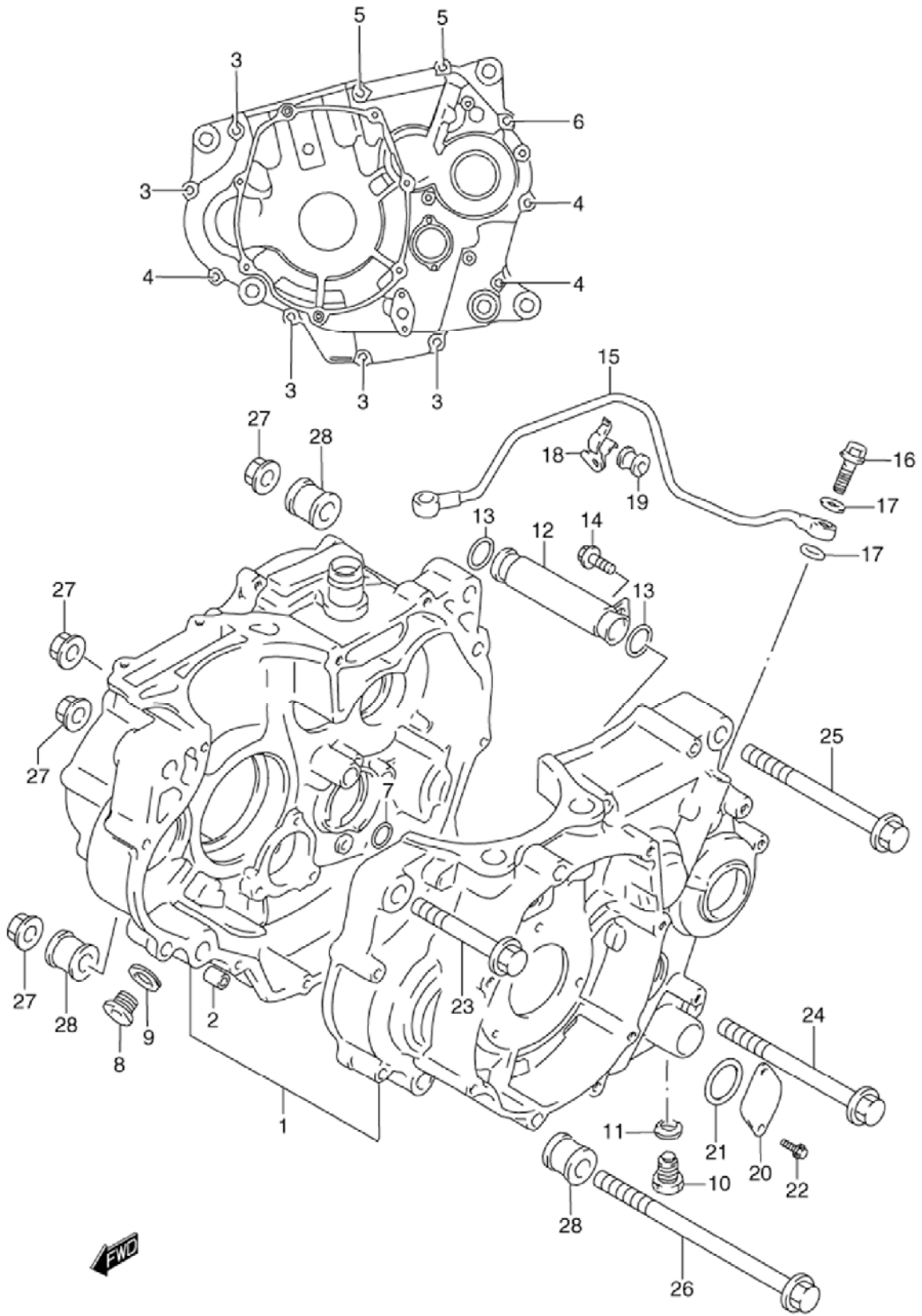


Table 3. CRANKCASE

Reference Number	Quantity Required	Part Number	Description
1-2	1	11301-14883	CRANKCASE SET
1-3	1	11301-14883	CRANKCASE SET
1-4	1	11301-14883	CRANKCASE SET
1-5	1	11301-15821	CRANKCASE SET
1-6	1	11301-15821	CRANKCASE SET
2	2	04211-09149	DOWEL PIN
3-1	5	01547-06457	BOLT
3-2	5	01547-0645B	BOLT
4-1	3	01547-06507	BOLT
4-2	3	01547-0650B	BOLT
5-1	2	01547-06607	BOLT
5-2	2	01547-0660B	BOLT
6	1	01547-06707	BOLT, HEAD COVER CAP NO.1
7-1	1	09280-12009	O RING, CRANKCASE
7-2	1	09280-12009	O RING, CRANKCASE
8	1	09248-14005	PLUG, OIL GALLERY
9	1	09168-14004	GASKET (14.1X18X1.5)
10-1	1	01500-1220B	BOLT
10-2	1	01500-1220B	BOLT
11	1	09168-12002	GASKET, OIL LEVEL PLUG
12	1	11450-14D01	PIPE, MISSION OIL INNER
13-1	2	09280-16005	O RING (D:2.4, ID:15.8)
13-2	2	09280-15007	O RING (D:2.4 ID:15.8)
14-1	1	01550-06127	BOLT
14-2	1	01550-0612A	BOLT
15	1	11280-14D02	PIPE, MISSION OIL OUTER
16	2	09360-08011	UNION BOLT, OIL PIPE
17	4	09168-08016	GASKET (8.2X14X1.0)
18	1	11290-14D00	CLAMP, OIL PIPE
19	1	09320-06019	CUSHION
20	1	11385-14D00	CAP, HOLE
21	1	09280-26005	O RING (D:2.4 ID:26.2)
22-1	2	01547-05103	BOLT, GUIDE
22-2	2	01547-05103	BOLT, GUIDE
23	1	09103-10230	BOLT (10X85)
24-1	1	09103-10242	BOLT (10X100)
24-2	1	09103-10242	BOLT (10X100)
25	1	09103-10063	BOLT, MUFFLER BRACKET & CVT
26-1	1	09103-10241	BOLT (10X143)
26-2	1	09103-10241	BOLT (10X143)
27	4	09159-10115	NUT
28-1	3	11611-14D00	SPACER (L:19.85)
28-2	3	11611-14D00	SPACER (L:19.85)

FIG.4

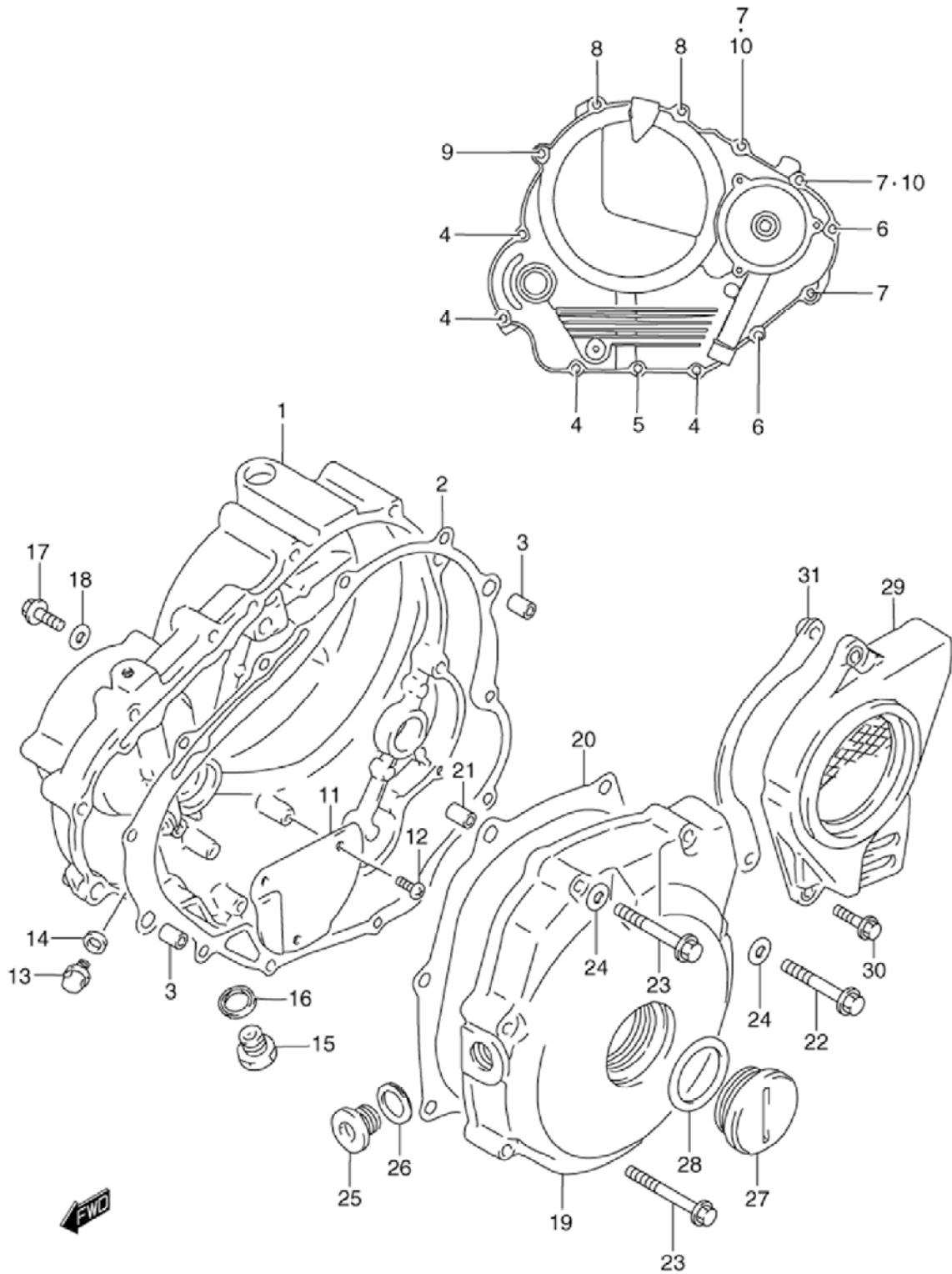


Table 4. CRANKCASE COVER

Reference Number	Quantity Required	Part Number	Description
1-1	1	11340-47810	COVER, CLUTCH (MODEL L/M/N->11341-14D06W/09248-10007,09168-10002)
1-2	1	11340-47810	COVER, CLUTCH
2-1	1	11482-14D03	GASKET, CLUTCH COVER
2-2	1	11482-14D03	GASKET, CLUTCH COVER
2-3	1	11482-14D03	GASKET, CLUTCH COVER
3	2	04211-09149	DOWEL PIN
4-1	4	01547-06257	BOLT
4-2	4	01547-0625B	BOLT
5-1	1	01547-06307	BOLT
5-2	1	01547-0630B	BOLT
6-1	2	01547-06357	BOLT
6-2	2	01547-06353	BOLT, WATER PUMP
7-1	3	01547-06407	BOLT
7-2	3	01547-0640B	BOLT
8-1	2	01547-06607	BOLT
8-2	2	01547-0660B	BOLT
9-1	1	01547-06657	.BOLT
9-2	1	01547-0665B	BOLT
10-1	4	09168-06023	WASHER, OIL GALLERY EXHAUST
10-2	4	09168-06024	.GASKET
12-1	3	09125-05042	.SCREW (5X10)
12-2	3	02142-0510B	SCREW
13	1	09103-06078	BOLT, STARTING MOTOR
14	1	09168-06004	GASKET (6.2X11X1.2)
15-1	1	09248-14005	PLUG, OIL GALLERY
15-2	1	09248-10007	.PLUG, PARKING PAWL
16-1	1	09168-14004	.GASKET (14.1X18X1.5)
16-2	1	09168-10002	GASKET, OIL GALLERY PLUG
17	1	09128-06058	BOLT (6X10)
18-1	1	09168-06023	WASHER, OIL GALLERY EXHAUST
18-2	1	09168-06024	.GASKET
19-3	1	11351-14D10	COVER, MAGNETO
20-1	1	11483-14D03	GASKET, MAGNETO COVER
20-2	1	11483-14D03	GASKET, MAGNETO COVER
21	2	04211-09149	DOWEL PIN
22-1	5	01547-06357	BOLT (MODEL L/M/NMODEL P)
22-3	3	01547-06353	BOLT, WATER PUMP
23-1	2	01547-06457	BOLT (MODEL L/M/NMODEL P)
23-3	4	01547-0645B	BOLT
24-1	2	09168-06023	WASHER, OIL GALLERY EXHAUST
24-2	2	09168-06024	.GASKET
25	1	09248-14005	PLUG, OIL GALLERY
26	1	09168-14004	.GASKET (14.1X18X1.5)
27-1	1	09259-36016-20H	PLUG, CRANKSHAFT HOLE
27-2	1	09259-36016-20H	PLUG, CRANKSHAFT HOLE
28	1	09280-33004	O RING (ID:32.7,DD:3.1)
29	1	11360-14D01	COVER, ENGINE SPROCKET
30-1	2	01547-06257	BOLT
30-2	2	01547-0625B	BOLT
31-1	1	27640-14D01	PLATE, FRONT CHAIN GUIDE
31-2	1	27640-14D10	PLATE, FRONT CHAIN GUIDE

FIG.5

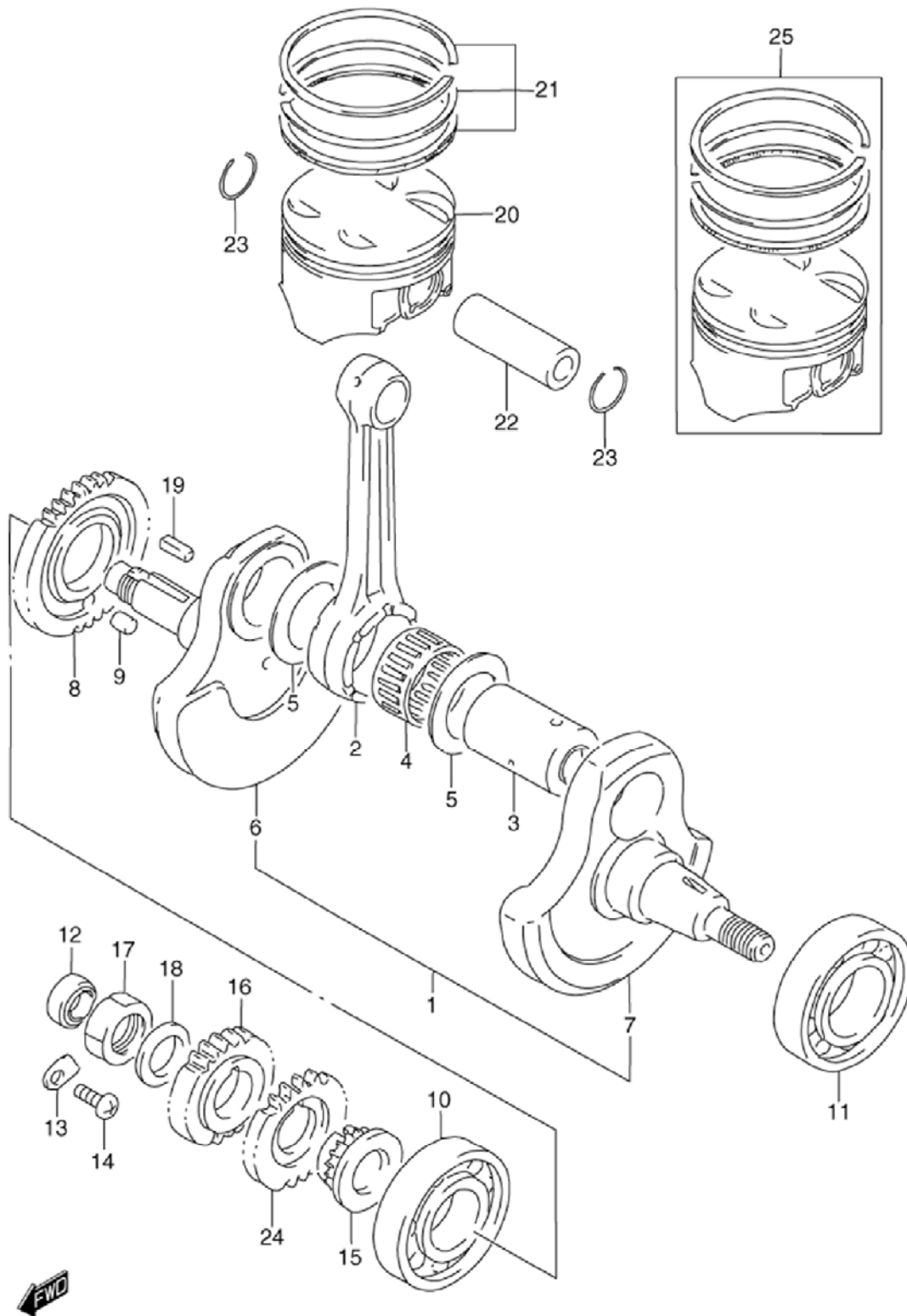


Table 5. CRANKSHAFT

Reference Number	Quantity Required	Part Number	Description
1	1	12200-14D00	CRANKSHAFT ASSY
2	1	12161-14D00	.ROD, CONNECTING
3	1	12210-14D03	.PIN, CRANK
4	1	09263-34005	.BEARING (34X43X22)
5	2	09160-34003	.WASHER (34X52X1)
6-1	1	12221-14D01	.CRANKSHAFT, RH
6-2	1	12221-14D01	.CRANKSHAFT, RH
8	1	12661-14D00	GEAR, BALANCER DRIVE (NT:37)
9	1	04221-08149	PIN
10	1	09262-30077	BEARING (30X72X19)
11	1	09262-35038	BEARING (35X72X17)
12	1	09282-14003	OIL SEAL, RH (14X24X6)
13	1	24742-18A00	RETAINER, OIL SEAL RH
14	1	02112-0612A	SCREW
15	1	12731-14D00	SPROCKET, CAM CHAIN DRIVE
16-1	1	21111-14D01	GEAR,PRIMARY DR
16-2	1	21111-15D21	GEAR, PRIMARY DRIVE (NT:20)
17	1	09140-18012	NUT
18-1	1	09164-18001	WASHER
18-2	1	09164-18001	WASHER
19	1	09421-05009	KEY
20-1	1	12111-14D03-0F0	PISTON
20-2	1	12111-14D03-0F0	PISTON
20-3	1	12111-14D03-0F0	PISTON
21	1	12140-14D10	RING SET, PISTON
22	1	12151-24A00	PIN, PISTON
23	2	09381-20004	CIRCLIP
24	1	16321-15D01	GEAR,OIL PUMP D
25-1	1	12100-14D01-050	PISTON SET (OS:0.5)
25-3	1	12100-14D01-050	PISTON SET (OS:0.5)

FIG.6

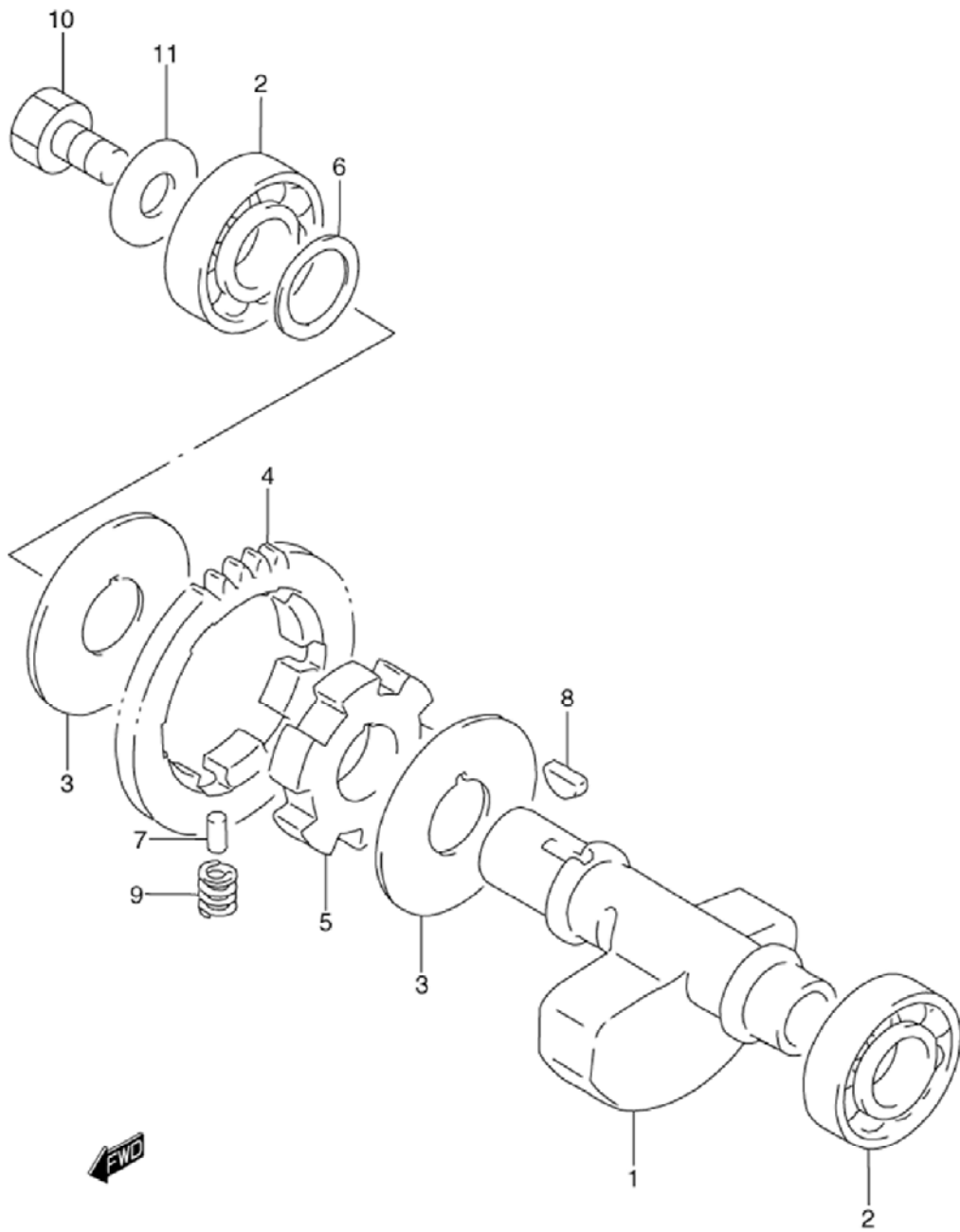


Table 6. CRANK BALANCER

Reference Number	Quantity Required	Part Number	Description
1-1	1	12651-14D01	SHAFT, CRANK BALANCER
1-2	1	12651-14D01	SHAFT, CRANK BALANCER
2	2	09262-20121	BEARING (ID:20,OD:47)
3	2	09166-20012	WASHER, DRIVEN GEAR
4-1	1	12666-14D02	GEAR, DRIVEN (NT:37)
4-2	1	12666-14D02	GEAR, DRIVEN (NT:37)
5	1	12669-24B01	RACE, INNER
6	1	09181-20158	WASHER
7	3	09202-04017	PIN (D:4.5,L:9.5)
8	1	09420-04008	KEY
9	6	09440-09031	SPRING
10-1	1	01500-10167	BOLT
10-2	1	01500-10163	BOLT
11-2	1	08211-10283	WASHER

FIG.7

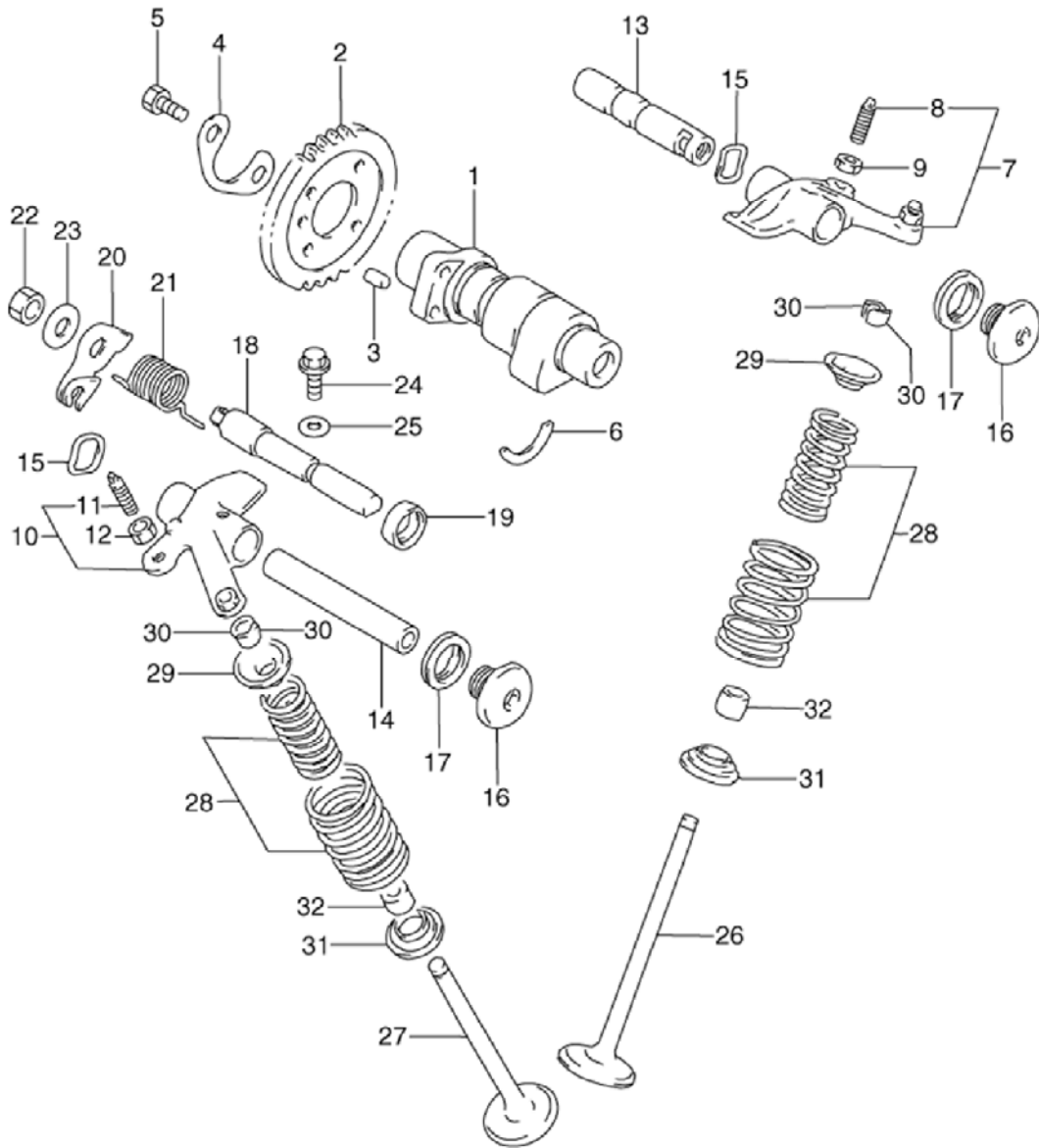


Table 7. CAM SHAFT - VALVE (MODEL L/M/N/P)

Reference Number	Quantity Required	Part Number	Description
1	1	12711-14D01	CAM SHAFT
2	1	12741-26B00	SPROCKET (NT:34)
3	1	09261-05005	PIN
4-1	1	12747-26B01	WASHER
4-2	1	12747-26B01	WASHER
5	2	09111-06032	BOLT
6	1	09390-22002	C RING
7	1	12840-14D00	ARM, VALVE ROCKER INTAKE
8	2	12842-17C50	.SCREW
9	2	12843-27A00	.NUT, TAPPET ADJUSTING
10	1	12850-14D00	ARM, VALVE ROCKER EXHAUST
11	2	12842-17C50	.SCREW
12	2	12843-27A00	.NUT, TAPPET ADJUSTING
13	1	12861-14D00	SHAFT, ROCKER ARM IN
14	1	12871-14D00	SHAFT, ROCKER ARM EX
15	2	09164-12018	WASHER
16	2	09248-14005	PLUG, OIL GALLERY
17	2	09168-14004	.GASKET (14.1X18X1.5)
18	1	12941-14D02	SHAFT, DECOMPRESSION
19	1	09282-10014	OIL SEAL (10X17X6)
20	1	12942-14D01	LEVER, SHAFT
21	1	09448-18028-XC0	SPRING
22	1	09140-08021	NUT, ADJUSTER
23	1	08322-0108A	WASHER, SEAT DAMPER UPPER
24	1	01550-0616A	BOLT
25	1	09168-06026	GASKET, DRAIN BOLT
26	2	12911-14D10	VALVE, INTAKE
27	2	12912-14D01	VALVE, EXHAUST
28	4	12920-06B00	SPRING SET, VALVE, IN
29	4	12931-27A01	RETAINER, SPRING
30	8	12932-27A00	COTTER, VALVE
31-1	4	12933-81400	SEAT, VALVE
31-2	4	12933-81400	SEAT, VALVE
32	4	09289-05011	OIL SEAL (4.5X10X8)

Table 7A. CAM SHAFT - VALVE (MODEL R/S/T)

Reference Number	Quantity Required	Part Number	Description
1	1	12710-14D80	SHAFT,CAM
2	1	12741-14D50	SPROCKET, CAM SHAFT
3	1	09261-05005	PIN
4	1	12747-44B00	WASHER
5	2	09111-06032	BOLT
6	1	09390-22002	C RING
7	1	12840-15G00	ARM, VALVE ROCKER, IN
8	2	12842-17C50	.SCREW
9	2	12843-27A00	.NUT, TAPPET ADJUSTING
10	1	12850-14D50	ARM, VALVE ROCKER, EX
11	2	12842-17C50	.SCREW
12	2	12843-27A00	.NUT, TAPPET ADJUSTING
13	1	12861-14D50	SHAFT, ROCKER ARM IN
14	1	12871-14D50	SHAFT, ROCKER ARM EX
15	2	09164-12018	WASHER
16	2	09248-14005	PLUG, OIL GALLERY
17	2	09168-14004	.GASKET (14.1X18X1.5)
18	1	12941-14D02	SHAFT, DECOMPRESSION
19	1	09282-10014	OIL SEAL (10X17X6)
20	1	12942-14D01	LEVER, SHAFT
21	1	09448-18028-XC0	SPRING
22-1	1	08310-0008A	NUT
22-2	1	08316-1008B	NUT
23	1	08322-0108A	WASHER, SEAT DAMPER UPPER
24	1	01550-0616A	BOLT
25	1	09168-06026	GASKET, DRAIN BOLT
26	2	12911-14D10	VALVE, INTAKE
27	2	12912-14D01	VALVE, EXHAUST
28	4	12920-06B00	SPRING SET, VALVE, IN
29	4	12931-27A01	RETAINER, SPRING
30	8	12932-27A00	COTTER, VALVE
31	4	12933-81400	SEAT, VALVE
32	4	09289-05011	OIL SEAL (4.5X10X8)

FIG.8

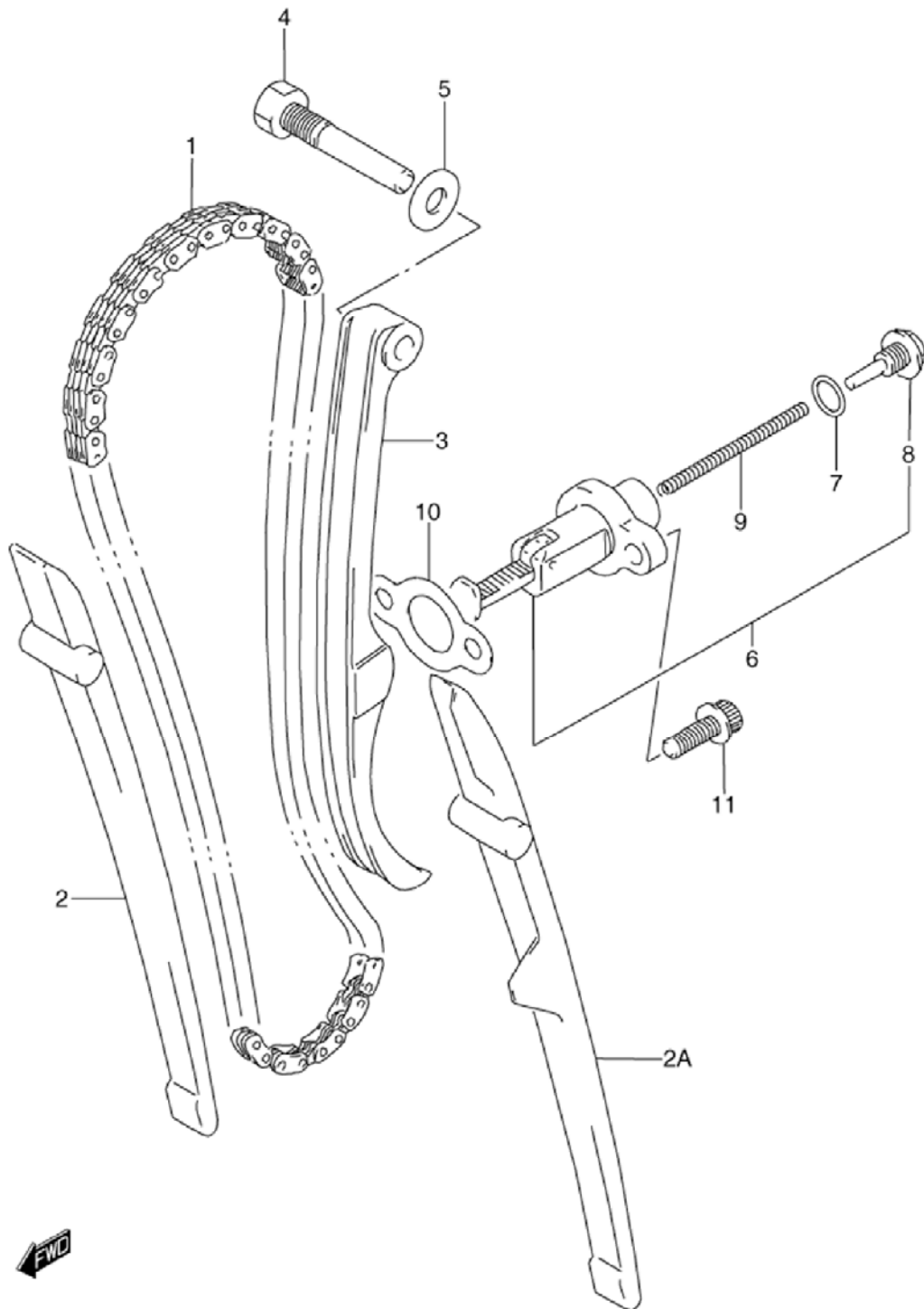


Table 8. CAM CHAIN

Reference Number	Quantity Required	Part Number	Description
1	1	12760-19B71	CHAIN, CAM (108LE)
2	1	12771-14D00	GUIDE, CAM CHAIN
2A	1	12771-14D10	GUIDE, CAM CHAIN
3-1	1	12811-14D00	TENSIONER, CAM CHAIN
3-2	1	12811-14D10	TENSIONER, CAM CHAIN
4	1	12812-32410	BOLT, CAM CHAIN TENSIONER
5	1	09168-08016	GASKET (8.2X14X1.0)
6-1	1	12830-29B11	ADJUSTER ASSY, TENSIONER
6-2	1	12830-29B11	ADJUSTER ASSY, TENSIONER
7	1	12832-02A00	.O RING
8	1	12834-26B00	.PLUG
9	1	12833-29B00	.SPRING
10-1	1	12837-19B10	GASKET
10-2	1	12837-19B10	GASKET
11-1	2	07120-0620B	BOLT
11-2	2	07120-0620B	BOLT

FIG.9

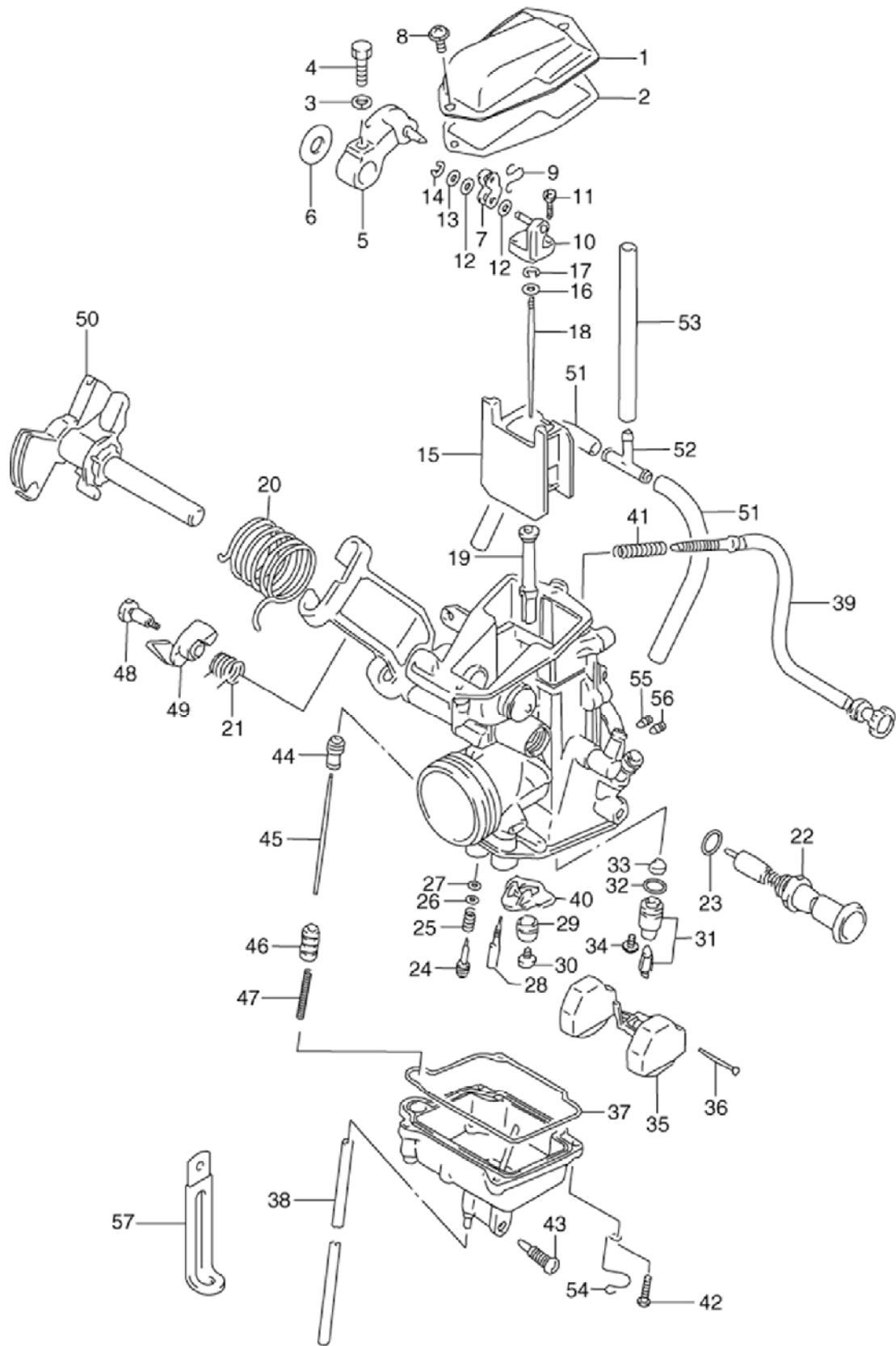


Table 9. CARBURETOR (MODEL L/M/N/P)

Reference Number	Quantity Required	Part Number	Description
	1	13200-14D03	CARBURETOR ASSY
	1	13200-14D03	CARBURETOR ASSY
1	1	13261-27A00	.CAP, TOP
2	1	13266-27A00	.GASKET
3	1	08321-0105A	WASHER,LOCK
4	1	01500-0516B	BOLT
5	1	13541-13E00	.LEVER SET, THROTTLE
6	1	13575-38200	.WASHER
7	1	13447-14A00	.PLATE
8	2	02112-34103	.SCREW
9	1	13446-14A00	.SPRING
10	1	13398-27A02	.CONNECTOR
11	2	02112-03123	.SCREW
12	2	13445-14A00	.GASKET
13	1	09160-04024	.WASHER (4.5X8X0.5)
14	1	13415-38300	.E RING
15	1	13551-14D00	.VALVE, PISTON (CA:1.5)
16	1	13382-47010	.PLATE
17	1	13394-10010	.CLIP, NEEDLE
18	1	13383-14D00	.NEEDLE, JET (5FP96-3)
19	1	09494-00681	.JET, NEEDLE (P-8)
20	1	13573-42A20	.SPRING
21	1	13494-14D00	.SPRING
22	1	13411-14D00	.PLUNGER ASSY
23	1	13374-46710	.O RING
24	1	13279-47070	.SCREW, PILOT (1,1/2)
25	1	13268-47070	.SPRING
26	1	13291-29900	.WASHER
27	1	13295-29900	.O RING
28	1	09492-35017	.JET, PILOT (37.5)
29	1	13331-13A00	.RING
30-1	1	09491-26012	.JET, MAIN (132.5)
30-2	1	09491-25011	.JET, MAIN (127.5)
31	1	13370-05530	.VALVE ASSY, NEEDLE
32	1	13374-35C00	.O RING
33	1	13376-19F00	.FILTER
34	1	13602-43410	.SCREW
35	1	13250-28A00	.FLOAT
36	1	13254-92311	.PIN, FLOAT
37	1	13251-27A00	.O RING
38	1	09355-30705-600	.HOSE, 3X7X600
39	1	13267-14D00	.ADJUSTER
40	1	13331-13E00	.RING
41	1	13268-14D00	.SPRING
42	4	13601-04148	.SCREW
43	1	13247-02340	.SCREW, DRAIN
44	1	13499-44500	.BOOT
45	1	13487-14D00	.ROD
46	1	13493-27A00	.PLUNGER
47	1	13271-09400	.SPRING
48	1	13613-14A00	.BOLT
49	1	13490-14A00	.LEVER
51-1	2	09352-50823-600	HOSE
51-2	2	09352-50823-600	HOSE
52	1	09367-06002	3 WAY, WATER HOSE
53-1	1	09352-50823-600	HOSE
53-2	1	09352-50823-600	HOSE
54	1	13692-19C00	.CLIP
55-1	1	09493-18001	.JET, AIR (0.9)
55-2	1	09493-70009	.JET, MAIN AIR,0.7
56-1	1	09493-20007	.JET, PILOT AIR (1.0)
56-2	1	09493-22005	.JET, PILOT AIR (1.1)
57	1	09404-06432	.CLAMP, SW LEADS

FIG.9A

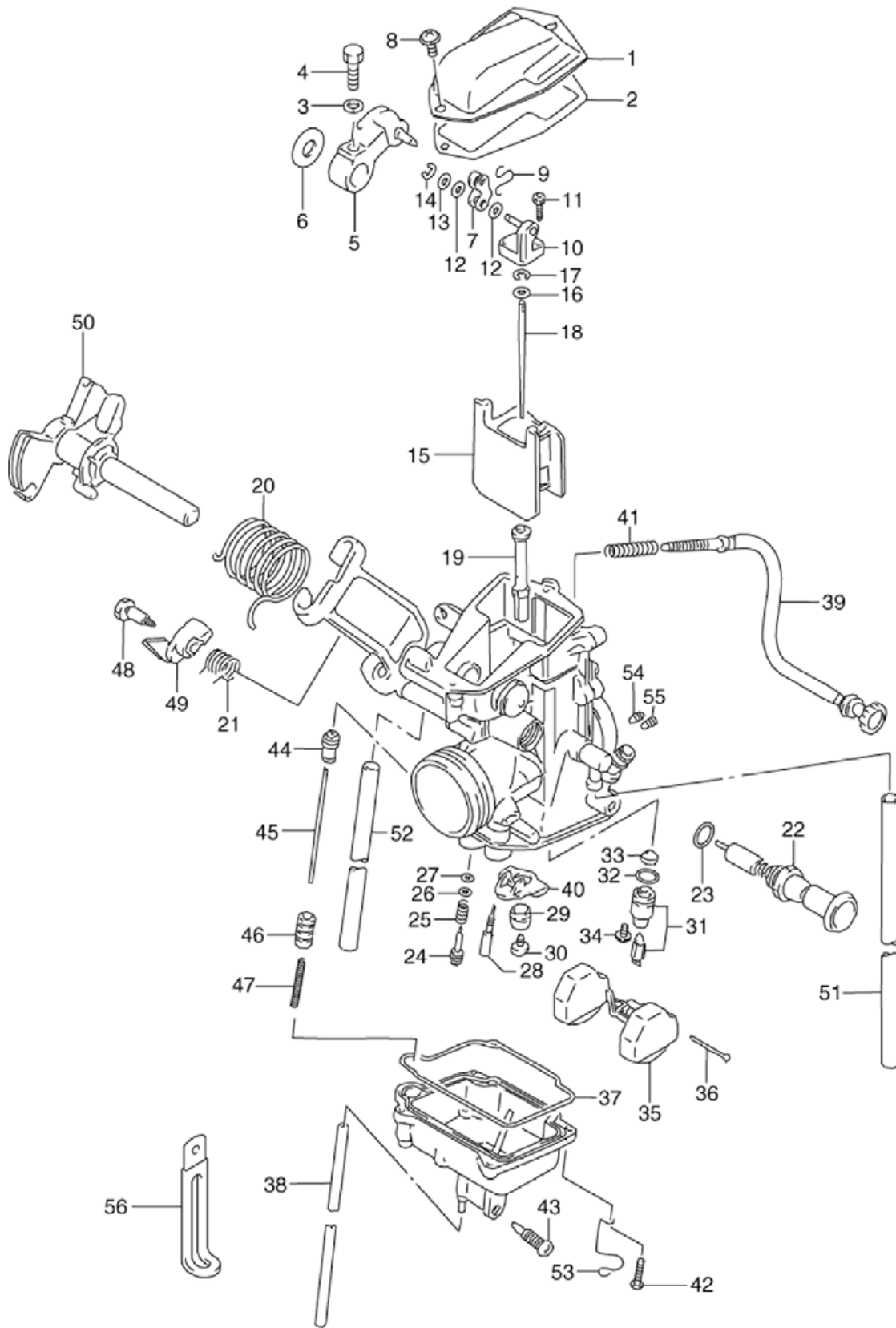


Table 9A. CARBURETOR (MODEL R/S/T)

Reference Number	Quantity Required	Part Number	Description
	1	13200-14D03	CARBURETOR ASSY
1	1	13261-27A00	.CAP, TOP
2	1	13266-27A00	.GASKET
3	1	08321-0105A	WASHER,LOCK
4	1	01500-0516B	BOLT
5	1	13541-13E00	.LEVER SET, THROTTLE
6	1	13575-38200	.WASHER
7	1	13447-14A00	.PLATE
8	2	02112-34103	.SCREW
9	1	13446-14A00	.SPRING
10	1	13398-27A02	.CONNECTOR
11	2	02112-03123	.SCREW
12	2	13445-14A00	.GASKET
13-1	1	09160-04024	.WASHER (4.5X8X0.5)
13-2	1	09160-04024	.WASHER (4.5X8X0.5)
14-1	1	13415-38300	.E RING
14-2	1	13415-38300	.E RING
15	1	13551-14D00	.VALVE, PISTON (CA:1.5)
16	1	13382-47010	..PLATE
17	1	13394-10010	.CLIP, NEEDLE
18	1	13383-14D00	.NEEDLE, JET (5FP96-3)
19	1	09494-00681	.JET, NEEDLE (P-8)
20	1	13573-42A20	.SPRING
21	1	13494-14D00	.SPRING
22	1	13411-14D00	.PLUNGER ASSY
23	1	13374-46710	.O RING
24	1	13279-47070	.SCREW, PILOT (1,1/2)
25	1	13268-47070	.SPRING
26	1	13291-29900	.WASHER
27	1	13295-29900	.O RING
28	1	09492-35017	.JET, PILOT (37.5)
29	1	13331-13A00	.RING
30	1	09491-25011	.JET, MAIN (127.5)
31	1	13370-05530	.VALVE ASSY, NEEDLE
32	1	13374-35C00	.O RING
33	1	13376-19F00	.FILTER
34	1	13602-43410	.SCREW
35	1	13250-28A00	.FLOAT
36	1	13254-92311	.PIN, FLOAT
37	1	13251-27A00	.O RING
38	1	09352-30503-600	.HOSE
39	1	13267-14D00	.ADJUSTER
40	1	13331-13E00	.RING
41	1	13268-14D00	.SPRING
42-1	3	13601-04148	.SCREW
42-2	1	02112-0416A	SCREW
43	1	13247-02340	.SCREW, DRAIN
44	1	13499-44500	.BOOT
45	1	13487-14D00	.ROD
46	1	13493-27A00	.PLUNGER
47	1	13271-09400	.SPRING
48	1	13613-14A00	.BOLT
49	1	13490-14A00	.LEVER
51	1	09352-50903-600	.HOSE (L:600->200L:600->175)
53	1	13692-19C00	.CLIP
54	1	09493-70009	.JET, MAIN AIR,0.7
55	1	09493-22005	.JET, PILOT AIR (1.1)
56-1	1	09404-06432	.CLAMP, SW LEADS
56-2	1	09404-06432	.CLAMP, SW LEADS

FIG.10

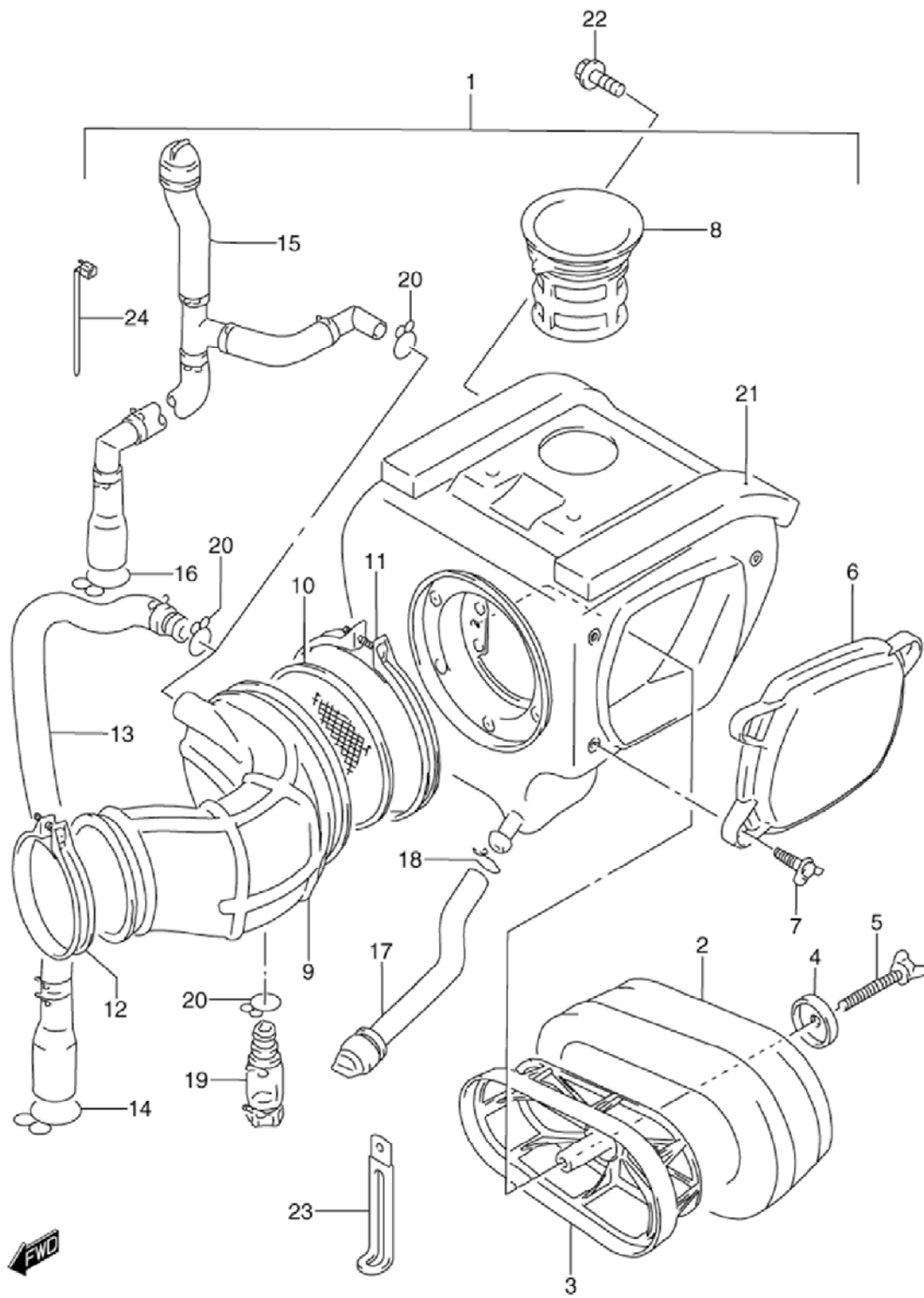


Table 10. AIR CLEANER

Reference Number	Quantity Required	Part Number	Description
1-4	1	13700-14D50	CLEANER ASSY, AIR
2	1	13780-14D02	.FILTER
3	1	13791-14D00	.HOLDER, FILTER
4	1	13792-13A01	.WASHER, FILTER
5	1	13831-02B00	.BOLT, WING
6	1	13740-14D00	.CAP, AIR CLEANER
7-1	3	13837-14D01	.BOLT, WING
7-2	3	13837-14D01	.BOLT, WING
7-3	3	02142-05207	.SCREW
8	1	13891-14D02	.TUBE, INLET
9-1	1	13881-14D03	.TUBE, OUTLET
9-2	1	13881-14D03	.TUBE, OUTLET
10	1	13810-14D02	.TRAP, FRAME
11-1	1	13826-14D01	.CLAMP (CLEANER SIDE)
11-2	1	13826-14D01	.CLAMP (CLEANER SIDE)
12	1	09402-56901	CLAMP
14	1	13824-14D00	..CLIP
15-1	1	13850-14D22	.TUBE, BREATHER
15-2	1	13850-14D22	.TUBE, BREATHER
15-3	1	13850-14D50	.TUBE, BREATHER
15-4	1	13850-14D50	.TUBE, BREATHER
16-1	1	13824-14D00	..CLIP
16-2	1	09401-14301	.CLIP
17-1	1	13870-14D20	.TUBE, DRAIN, A
17-2	1	13870-14D20	.TUBE, DRAIN, A
18	1	09401-14301	.CLIP
19-1	1	13872-14D00	.TUBE, DRAIN
19-2	1	13870-11458	.TUBE, DRAIN
20	2	09401-14301	.CLIP
21	1	13736-14D00	.CUSHION
22-1	3	01550-06127	BOLT
22-2	3	01550-0612A	BOLT
23-1	1	09404-08420	CLAMP, L:120
23-2	1	09404-08419	CLAMP (L:97)
24-1	1	09407-18402	CLAMP (L:165)
24-2	1	09407-18402	CLAMP (L:165)

FIG.11

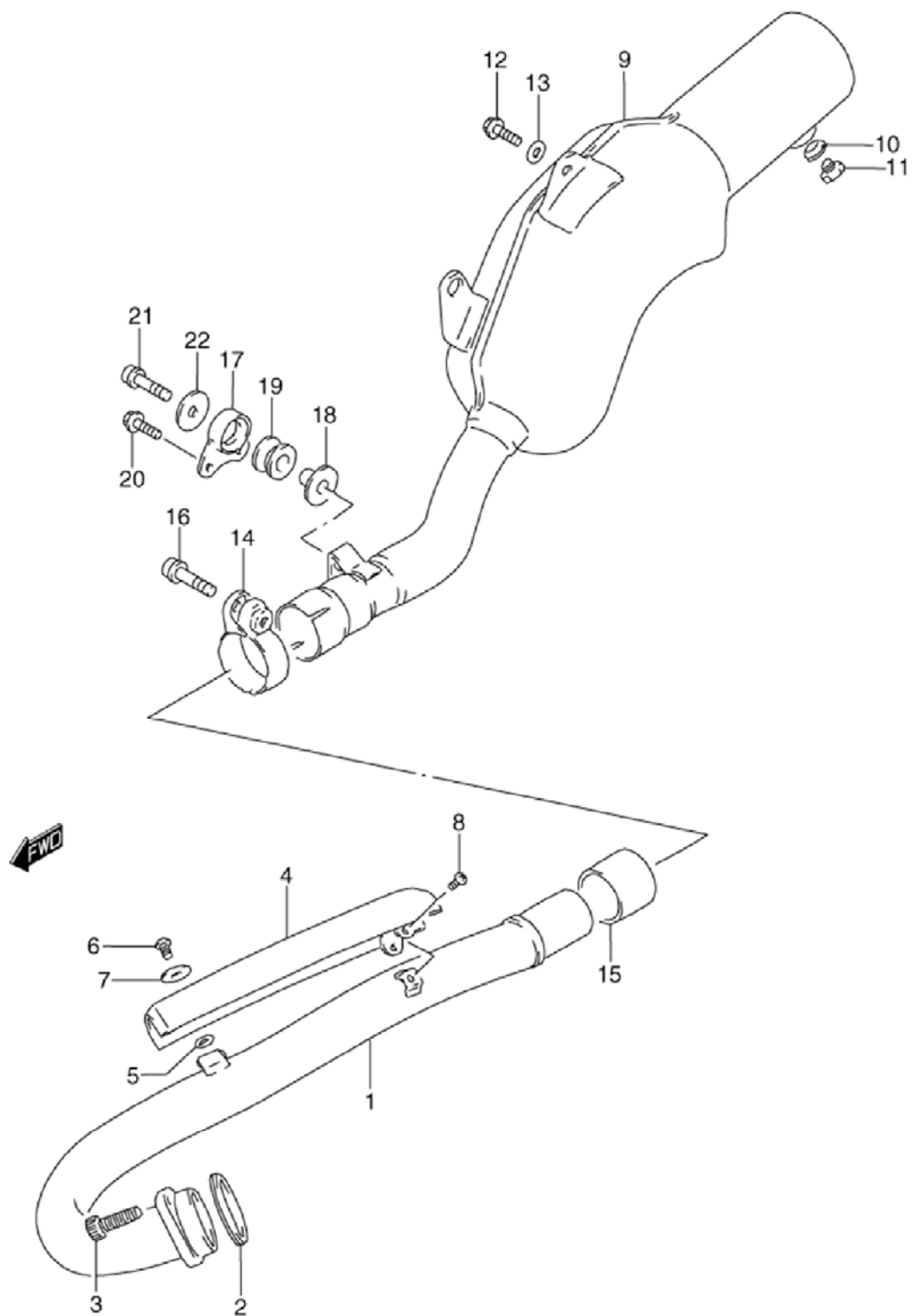


Table 11. MUFFLER

Reference Number	Quantity Required	Part Number	Description
1-1	1	14150-14D20	PIPE, EXHAUST
1-2	1	14150-14D20	PIPE, EXHAUST
1-3	1	14150-14E00	PIPE, EXHAUST
2-1	1	14181-18C00	GASKET
2-2	1	14181-40C00	GASKET, EXHAUST PIPE
3-1	2	07130-0825B	BOLT, SPEED ROTOR
3-2	2	07130-08257	BOLT
3-3	2	07130-0825B	BOLT, SPEED ROTOR
4-1	1	14180-14D10	COVER, EXHAUST PIPE
4-2	1	14180-14D10	COVER, EXHAUST PIPE
5	1	09168-06120	GASKET (5.8X13X1.4)
6-1	1	09139-06076	SCREW, EXHAUST COVER
6-2	1	09139-06076	SCREW, EXHAUST COVER
7	1	09160-06056	WASHER (6.5X18X1)
8-1	2	02142-0508A	SCREW
8-2	2	02142-0508A	SCREW
9-1	1	14310-14D44-H01	MUFFLER ASSY
9-2	1	14310-14D44-H01	MUFFLER ASSY
9-3	1	14310-14D44-H01	MUFFLER ASSY
9-4	1	14310-14D44-H01	MUFFLER ASSY
9-5	1	14310-14D44-H01	MUFFLER ASSY
10	2	09168-12002	GASKET, OIL LEVEL PLUG
11	2	09247-12103	PLUG, TDC
12-1	2	09106-08107	BOLT (8X20)
12-2	2	09103-08286	BOLT, REAR
13	2	09160-08039	WASHER
14	1	14469-07A11	CLAMP
15-1	1	14771-14D00	CONNECTOR
15-2	1	14771-13E00	CONNECTOR
16-1	1	07120-0835B	BOLT
16-2	1	01550-0835A	BOLT
16-3	1	01550-0835A	BOLT
17-1	1	14770-14D01	DAMPER, JOINT
17-2	1	14770-14D01	DAMPER, JOINT
18	1	09180-08151	SPACER (8.6X12X17.5)
19	1	09320-12043	CUSHION
20-1	2	01550-0612A	BOLT
20-2	2	09103-06285	BOLT
20-3	2	09103-06285	BOLT
21-1	1	09106-08109	BOLT (8X35)
21-2	1	09103-08357	BOLT (8X35)
22	1	09160-08135	WASHER (8.5X28X1.6)

FIG.12

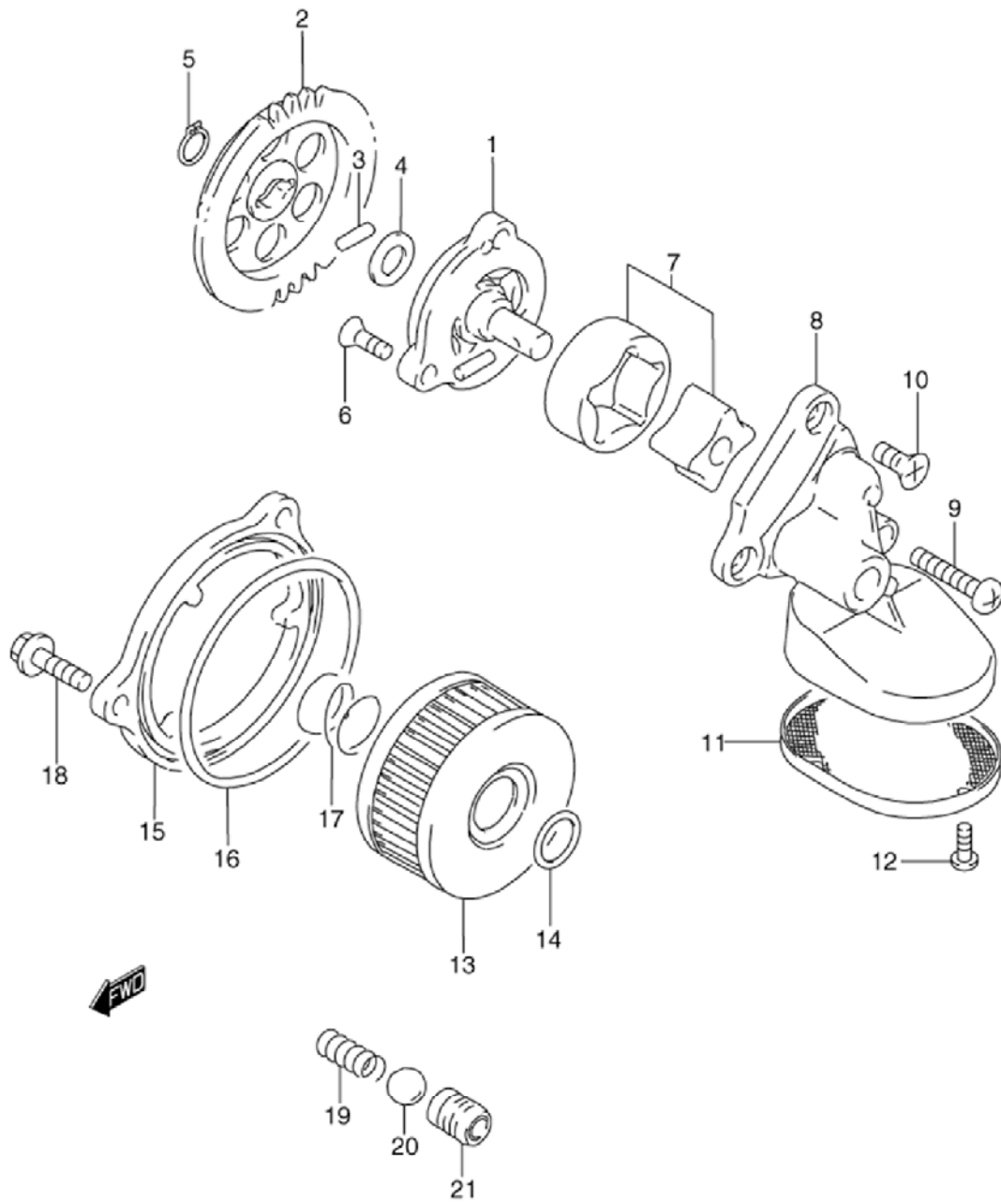


Table 12. OIL PUMP

Reference Number	Quantity Required	Part Number	Description
1	1	16400-14D01	PUMP ASSY, ENGINE OIL NO.1
2-1	1	16331-14D01	GEAR, DRIVEN (NT:47)
2-2	1	16331-14D01	GEAR, DRIVEN (NT:47)
3	1	09261-04009	PIN
4	1	08221-10185	WASHER
5	1	08331-3110A	CIRCLIP
6-1	3	02122-0616A	.SCREW
6-2	3	02122-0616A	.SCREW
7	1	16410-14D00	ROTOR SET, OIL PUMP
8	1	16431-14D01	COVER, OIL PUMP NO.2
9-1	1	02112-0630A	SCREW
9-2	1	02112-0630A	SCREW
10-1	2	02122-0616A	.SCREW
10-2	2	02122-0616A	.SCREW
11	1	16520-14D00	STRAINER, ENGINE OIL
12-1	3	02112-0510A	.SCREW
12-2	3	02112-0510A	.SCREW
13	1	16510-38240	FILTER, ENGINE OIL
14-1	1	09280-16005	O RING (D:2.4,ID:15.8)
14-2	1	09280-15007	O RING (D:2.4 ID:15.8)
15	1	16512-14D00	CAP, OIL FILTER
16	1	09280-72001	O RING (D:2.4,ID:73)
17-1	1	09440-21004	SPRING
17-2	1	09440-21006	SPRING
18-1	3	01547-06207	BOLT, LOWER
18-2	3	01547-0620B	BOLT, THERMOSTAT COVER
19	1	09440-07073	SPRING
20	1	06111-12004	BALL
21	1	16442-14D00	SEAT, OIL CHECK VALVE

FIG.13

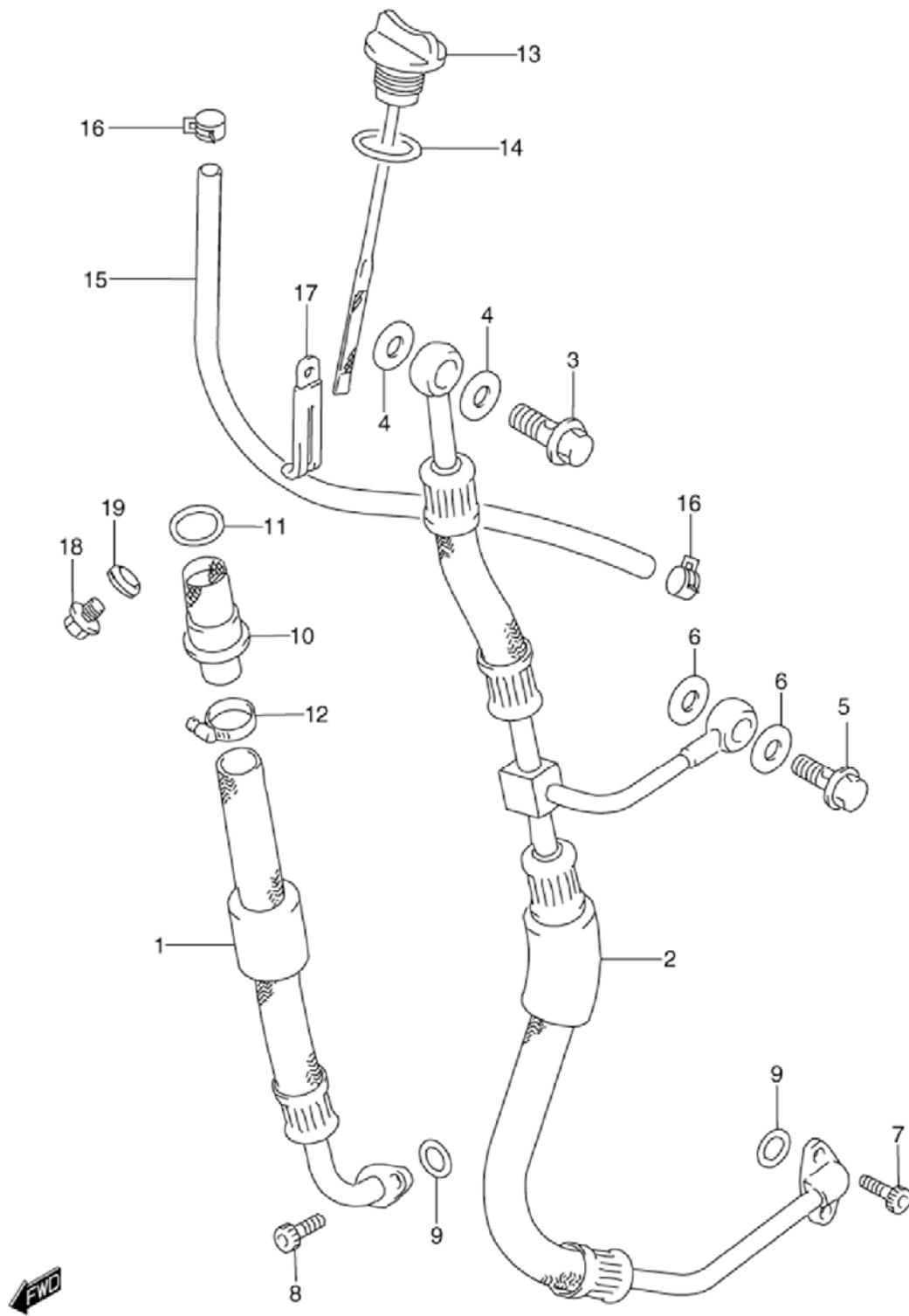


Table 13. OIL HOSE

Reference Number	Quantity Required	Part Number	Description
1-1	1	16460-14D03	HOSE, OIL TANK INLET
1-2	1	16460-14D03	HOSE, OIL TANK INLET
2-1	1	16470-14D51	HOSE, OIL TANK OUTLET
2-2	1	16470-14D51	HOSE, OIL TANK OUTLET
2-3	1	16470-14D51	HOSE, OIL TANK OUTLET
3	1	09360-16002	BOLT, UNION (16X32)
4	2	09168-16003	GASKET (16X22X2.0)
5-1	1	09360-12008	UNION
5-2	1	09360-12008	UNION
6-1	2	09168-12010	GASKET
6-2	2	09168-12017	GASKET
7-1	2	07130-0616A	.BOLT, PISTON JET VALVE
7-2	2	07130-0616A	.BOLT, PISTON JET VALVE
8-1	2	07130-0620B	BOLT
8-2	2	07130-0620B	BOLT
9	2	09280-12008	O RING (D:2.4,ID:12.3)
10	1	16550-14D02	STRAINER, FRAME HEAD UNDER
11	1	09280-22008	O RING (D:3.1,ID:22.7)
12-1	1	09402-22511	CLAMP
12-2	1	09402-22511	CLAMP
13	1	16560-14D01	GAUGE, OIL LEVEL
14	1	09280-17003	O RING, OIL FILLER CAP
15-1	1	16480-47D00	HOSE, OIL OVER FLOW
15-2	1	16480-47D00	HOSE, OIL OVER FLOW
16-1	2	09401-11415	CLIP
16-2	2	09401-11415	CLIP
17-1	1	09404-06432	.CLAMP, SW LEADS
17-2	1	09404-06432	.CLAMP, SW LEADS
17-3	1	09404-06432	.CLAMP, SW LEADS
18-1	1	09247-10001	PLUG, OIL DRAIN
18-2	1	09247-10008	PLUG, OIL GALLERY
19	1	09168-10002	GASKET, OIL GALLERY PLUG

FIG.13A

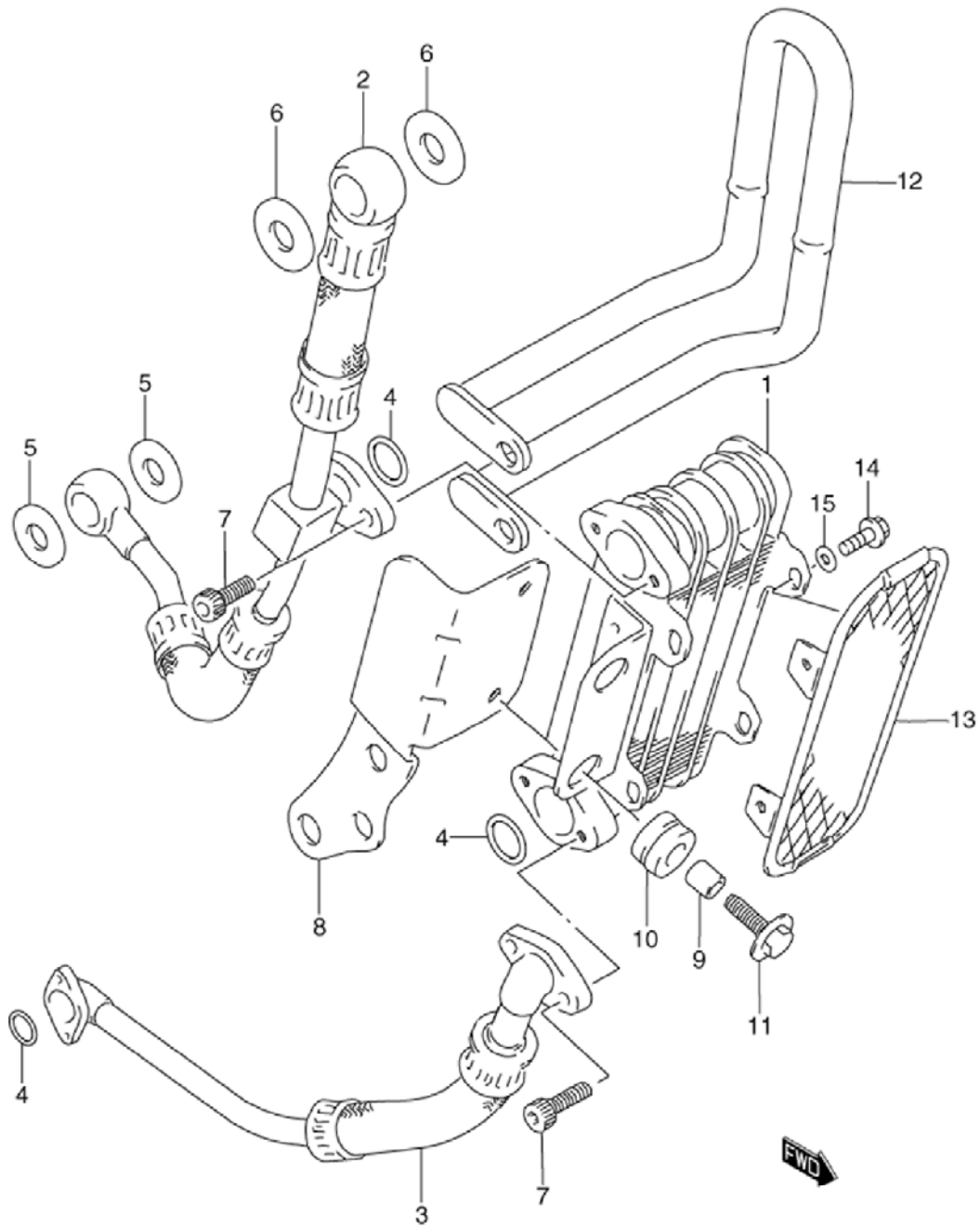


Table 13A. OIL COOLER (OPTIONAL)

Reference Number	Quantity Required	Part Number	Description
1	1	16600-14D00	.OIL COOLER
2	1	16450-14D00	.HOSE, OIL COOLER, UPPER
3	1	16490-14D00	.HOSE, OIL COOLER, LOWER
4	3	09280-12008	O RING (D:2.4,ID:12.3)
5-1	2	09168-12010	GASKET
5-2	2	09168-12017	GASKET
6	2	09168-16003	GASKET (16X22X2.0)
7-1	4	07130-0616A	.BOLT, PISTON JET VALVE
7-2	4	07130-0616A	.BOLT, PISTON JET VALVE
8	1	16620-14D00	.BRACKET
9	2	09180-06310	.SPACER
10	2	09320-10015	CUSHION
11	2	09116-06115	BOLT
13	1	16650-14D00	.BUMPER, OIL COOLER
14-1	4	01547-05103	BOLT, GUIDE
14-2	4	01547-05103	BOLT, GUIDE
15-1	4	08321-0105A	WASHER,LOCK
15-2	4	08321-0105A	WASHER,LOCK

FIG.14

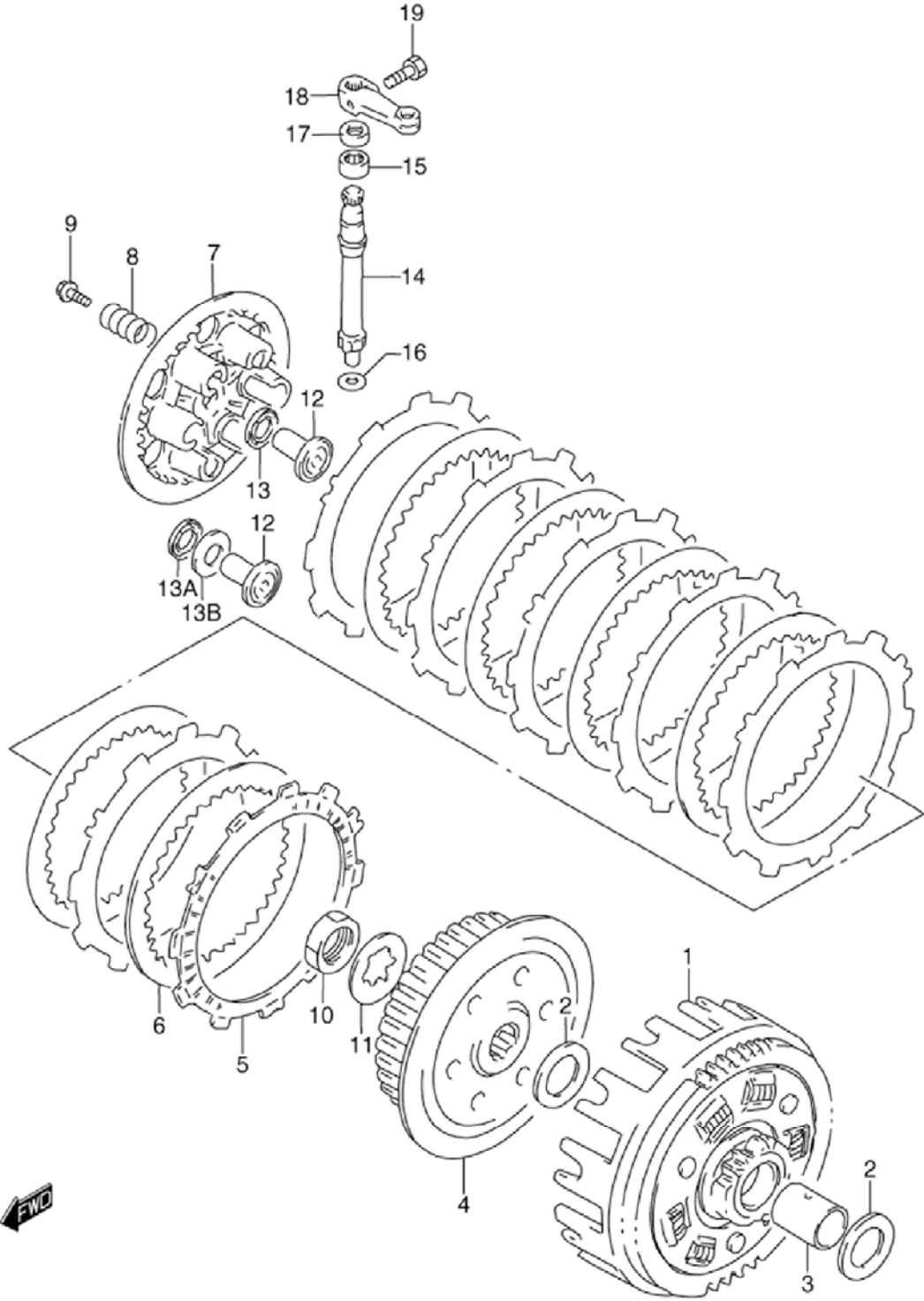


Table 14. CLUTCH

Reference Number	Quantity Required	Part Number	Description
1-1	1	21200-14D11	GEAR ASSY, PRIMARY DRIVEN
1-2	1	21200-14D11	GEAR ASSY, PRIMARY DRIVEN
1-3	1	21200-15D21	GEAR ASSY, PRIMARY DRIVEN
2	2	08211-20363	THRUST WASHER
3	1	09180-20109	SPACER (20X25X29)
4	1	21410-14D00	HUB, SLEEVE
5-1	7	21441-12D01	PLATE, DRIVE NO.1
5-2	7	21441-12D01	PLATE, DRIVE NO.1
6-1	6	21451-28C31	PLATE, CLUTCH DRIVEN (T:1.6)
6-2	6	21451-28C31	PLATE, CLUTCH DRIVEN (T:1.6)
7	1	21462-00B02	DISC, PRESSURE
8	6	09440-15014	SPRING
9	6	09116-05020	BOLT, CLUTCH REACTION (5X16)
10	1	09140-20001	NUT
11	1	09167-20009	WASHER
12-1	1	23165-44B01	RACK
12-2	1	23165-44B01	RACK
13	1	09263-10002	THRUST BEARING (10.1X22X2.8)
13A	1	09263-10016	THRUST BEARING (10X24X2.0)
13B	1	08211-10241	WASHER, BRG THR
14	1	23261-14D02	PINION (NT:12)
15	1	09263-12024	BEARING, CL RLSE UP
16	1	09181-08139	WASHER, GEAR SHIFT ARM
17	1	09285-10004	OIL SEAL (10X17X5)
18-1	1	23271-20902	ARM, CL RLSE
18-2	1	23271-20902	ARM, CL RLSE
19-1	1	01500-06167	BOLT, FUEL COOLER
19-2	1	01500-0616A	BOLT

FIG.15

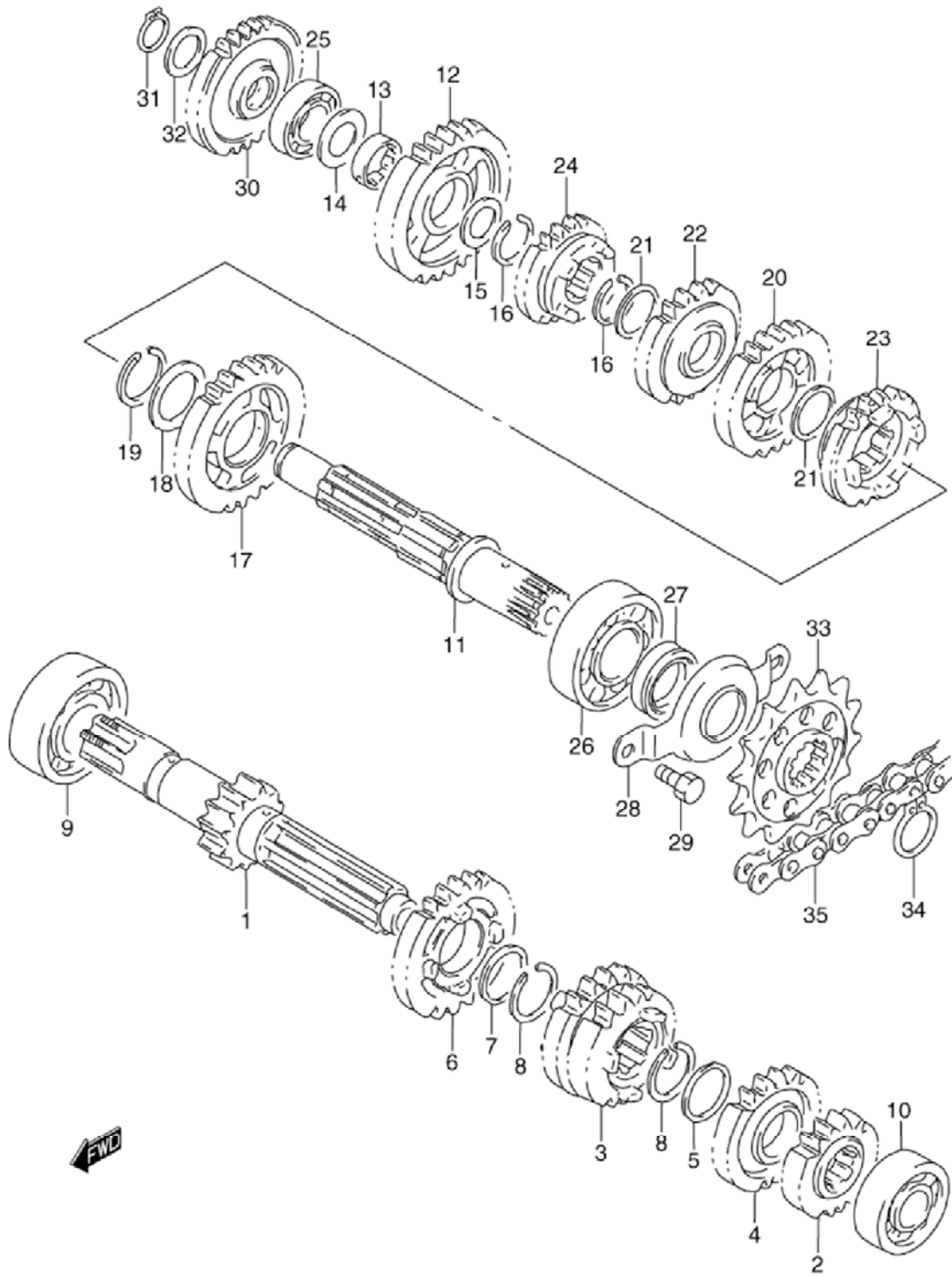


Table 15. TRANSMISSION (~E.NO.106032)

Reference Number	Quantity Required	Part Number	Description
1	1	24120-14D03	COUNTERSHAFT (NT:12)
2	1	24221-14D01	GEAR, 2ND DRIVE (NT:15)
3	1	24231-14D00	GEAR, 3RD/4TH DRIVE (NT:18/18)
4	1	24251-14D00	GEAR, 5TH DRIVE (NT:21)
5	1	09181-22111	SHIM
6	1	24260-14D00	GEAR, 6TH DRIVE (NT:23)
7	1	09181-22139	WASHER (22X28X1.0)
8	2	09380-22006	CIRCLIP
9	1	09262-20145	BEARING,20X52X1
10	1	09262-17027	BEARING, CNTR SHAFT LH
11	1	24130-14D00	DRIVESHAFT
12	1	24311-14D01	GEAR, 1ST DRIVEN (NT:29)
13	1	24312-14D00	BUSH, 1ST DRIVEN GEAR
14	1	08211-17322	THRUST WASHER
15	1	09181-22167	WASHER, 6TH DRIVE
16	2	09380-22006	CIRCLIP
17	1	24320-14D00	GEAR, 2ND DRIVEN (NT:26)
18	1	09181-25167	WASHER, 5TH DRIVE
19	1	09380-25010	CIRCLIP
20	1	24331-14D01	GEAR, 3RD DRIVEN (NT:24)
21	2	09181-22139	WASHER (22X28X1.0)
22	1	24341-14D00	GEAR, 4TH DRIVEN (NT:20)
23	1	24351-14D01	GEAR, 5TH DRIVEN (NT:20)
24	1	24361-14D01	GEAR, 6TH DRIVEN (NT:19)
25	1	09262-17038	BEARING, RH
26	1	09262-22024	BEARING, DRIVE SHAFT, LH
27	1	09283-22025	OIL SEAL (22X34X7)
28	1	24751-14D00	RETAINER, DRIVE SHAFT OIL SEA
29	2	01500-0612A	BOLT
30-1	1	26260-14D90	GEAR, KICK IDLE (NT:27)
30-2	1	26260-14D90	GEAR, KICK IDLE (NT:27)
31	1	09380-17001	CIRCLIP, LH
32	1	09181-17167	WASHER (17X26X1)
33	1	27511-47D00	SPROCKET, ENGINE (NT:14)
34	1	09380-22012	CIRCLIP, SPROCKET
35	1	27600-14A10-110	CHAIN, DRIVE (DID520VX110LE)

FIG.15A

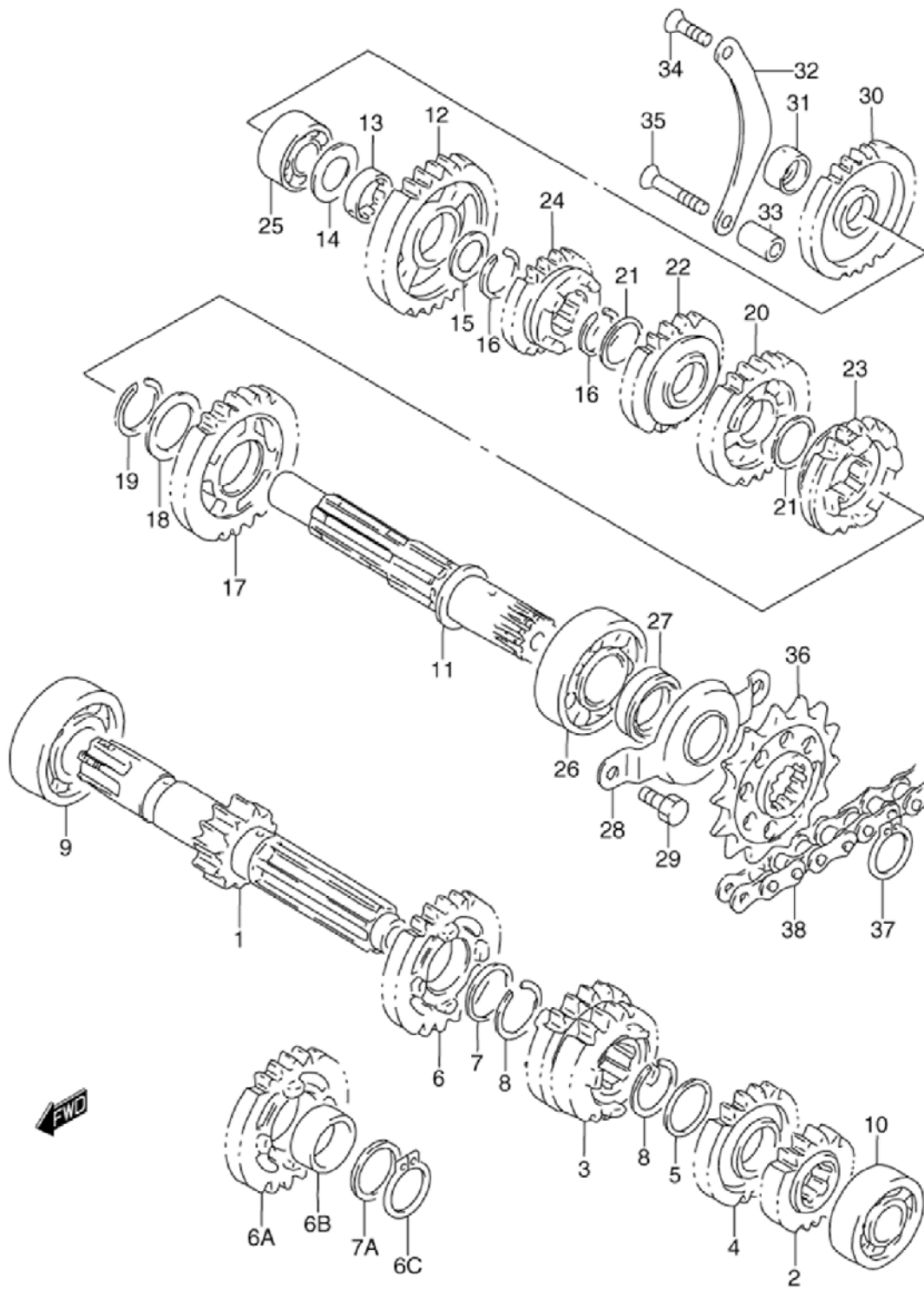


Table 15A. TRANSMISSION (E.NO.106033~)

Reference Number	Quantity Required	Part Number	Description
1-1	1	24120-14D03	COUNTERSHAFT (NT:12)
1-2	1	24120-14D03	COUNTERSHAFT (NT:12)
2	1	24221-14D01	GEAR, 2ND DRIVE (NT:15)
3	1	24231-14D00	GEAR, 3RD/4TH DRIVE (NT:18/18)
4	1	24251-14D00	GEAR, 5TH DRIVE (NT:21)
5	1	09181-22111	SHIM
6	1	24260-14D00	GEAR, 6TH DRIVE (NT:23)
6A	1	24261-14D02	GEAR, 6TH DRIVE (NT:23)
6B	1	09300-22008	BUSH (22X27X0.5)
6C	1	08331-3122A	CIRCLIP, FINAL DRIVEN
7	1	09181-22139	WASHER (22X28X1.0)
7A	1	09181-22167	WASHER, 6TH DRIVE
8-1	2	09380-22006	CIRCLIP (MODEL L/M/MODEL N/P/R/S/T)
9-1	1	09262-20145	BEARING,20X52X1
9-2	1	09262-20145	BEARING,20X52X1
10-1	1	09262-17027	BEARING, CNTR SHAFT LH
10-2	1	09262-17027	BEARING, CNTR SHAFT LH
10-3	1	09262-17027	BEARING, CNTR SHAFT LH
11-1	1	24130-14D14	DRIVESHAFT
11-2	1	24130-14D14	DRIVESHAFT
11-3	1	24130-14D14	DRIVESHAFT
12-1	1	24311-14D01	GEAR, 1ST DRIVEN (NT:29)
12-2	1	24311-15D00	GEAR, 1ST DRIVEN (NT:30)
13	1	24312-14D00	BUSH, 1ST DRIVEN GEAR
14	1	08211-17322	THRUST WASHER
15	1	09181-22167	WASHER, 6TH DRIVE
16	2	09380-22006	CIRCLIP
17	1	24320-14D00	GEAR, 2ND DRIVEN (NT:26)
18	1	09181-25167	WASHER, 5TH DRIVE
19	1	09380-25010	CIRCLIP
20-1	1	24331-14D01	GEAR, 3RD DRIVEN (NT:24)
20-2	1	24331-14D01	GEAR, 3RD DRIVEN (NT:24)
21	2	09181-22139	WASHER (22X28X1.0)
22	1	24341-14D00	GEAR, 4TH DRIVEN (NT:20)
23	1	24351-14D01	GEAR, 5TH DRIVEN (NT:20)
24-1	1	24361-14D01	GEAR, 6TH DRIVEN (NT:19)
24-2	1	24361-14D01	GEAR, 6TH DRIVEN (NT:19)
25	1	09267-17003	BEARING (17X40X17.5)
26	1	09262-22024	BEARING, DRIVE SHAFT, LH
27	1	09283-22025	OIL SEAL (22X34X7)
28	1	24751-14D00	RETAINER, DRIVE SHAFT OIL SEA
29-1	2	01500-0612A	BOLT
29-2	2	01500-0612A	BOLT
30	1	26261-14D10	GEAR, KICK STARTER IDLE
31	1	26262-14D00	BUSH, KICK STARTER
32	1	26264-14D00	RETAINER
33	1	09180-06314	SPACER (6.5X12X21)
34-1	1	02122-06167	SCREW
34-2	1	02122-0616A	.SCREW
35-1	1	02122-06353	SCREW
35-2	1	02122-06353	SCREW
36-1	1	27511-47D00	SPROCKET, ENGINE (NT:14)
36-2	1	27511-14320	SPROCKET (NT:15)
37	1	09380-22012	CIRCLIP, SPROCKET
38-1	1	27600-14A10-110	CHAIN, DRIVE (DID520VX110LE)
38-2	1	27600-14A10-110	CHAIN, DRIVE (DID520VX110LE)

FIG.16

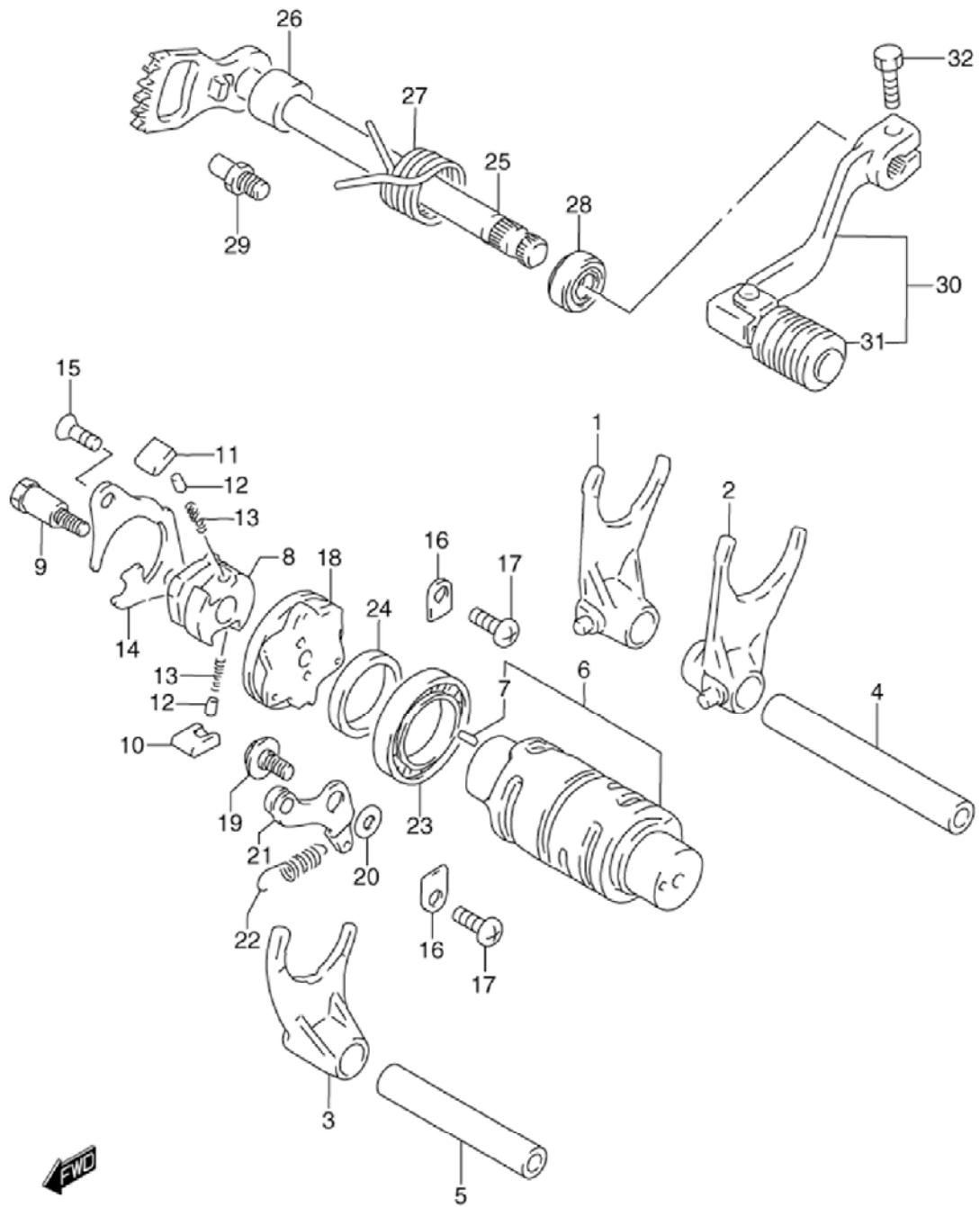


Table 16. GEAR SHIFTING

Reference Number	Quantity Required	Part Number	Description
1	1	25211-14D02	FORK, GEAR SHIFT NO.1
2-1	1	25221-14D03	FORK, GEAR SHIFT NO.2
2-2	1	25221-14D03	FORK, GEAR SHIFT NO.2
3	1	25231-14D02	FORK, GEAR SHIFT NO.3
4	1	25411-37F20	SHAFT, GEAR FORK, NO.1
5	1	25421-14D00	SHAFT, GEAR SHIFT FORK (L:70)
6	1	25310-14D01	CAM
7	2	04221-04089	PIN
8	1	25322-31310	GEAR, GEAR SHIFT CAM DRIVEN
9	1	25312-38A00	PIN, SHIFT CAM
10	1	25323-34201	PAWL, GEAR SHIFT, NO.1
11	1	25324-34201	PAWL, GEAR SHIFT, NO.2
12	2	09261-05003	PIN, SHIFT POLE (5X8)
13	2	09440-04003	SPRING, SHIFT PAWL RETURN
14	1	25331-14D00	LIFTER, PAWL
15-1	2	02122-06127	SCREW
15-2	2	02122-0612A	SCREW
16	2	24741-21A00	RETAINER, SHIFT CAM BEARING
17-1	2	02112-06127	SCREW
17-2	2	02112-0612A	SCREW
18	1	25380-14D01	PLATE, STOPPER
19	1	09111-06041	BOLT (6X14.3)
20	1	08211-06141	WASHER
21	1	25350-14D01	STOPPER, CAM
22	1	09443-09026	SPRING
23	1	08113-69050	BEARING, SHIFT CAM
24	1	09160-25068	WASHER (25X32X5.3)
25-1	1	25510-14D01	SHAFT, GEAR SHIFTING
25-2	1	25510-14D01	SHAFT, GEAR SHIFTING
26	1	09180-12068	SPACER (12X20X15.3)
27	1	09444-26004	SPRING
28	1	09285-12006	OIL SEAL (12X22X9)
29	1	25671-36A00	STOPPER, GEAR SHIFT
30-1	1	25600-14D04	LEVER, GEAR SHIFTING
30-2	1	25600-15D20	LEVER, GEAR SHIFTING
31	1	25652-03D00	.RUBBER, GEAR PEDAL
32-1	1	01500-0620A	BOLT, GEAR SHIFT LINK ARM
32-2	1	01500-0620A	BOLT, GEAR SHIFT LINK ARM
32-3	1	01500-0620A	BOLT, GEAR SHIFT LINK ARM

FIG.17

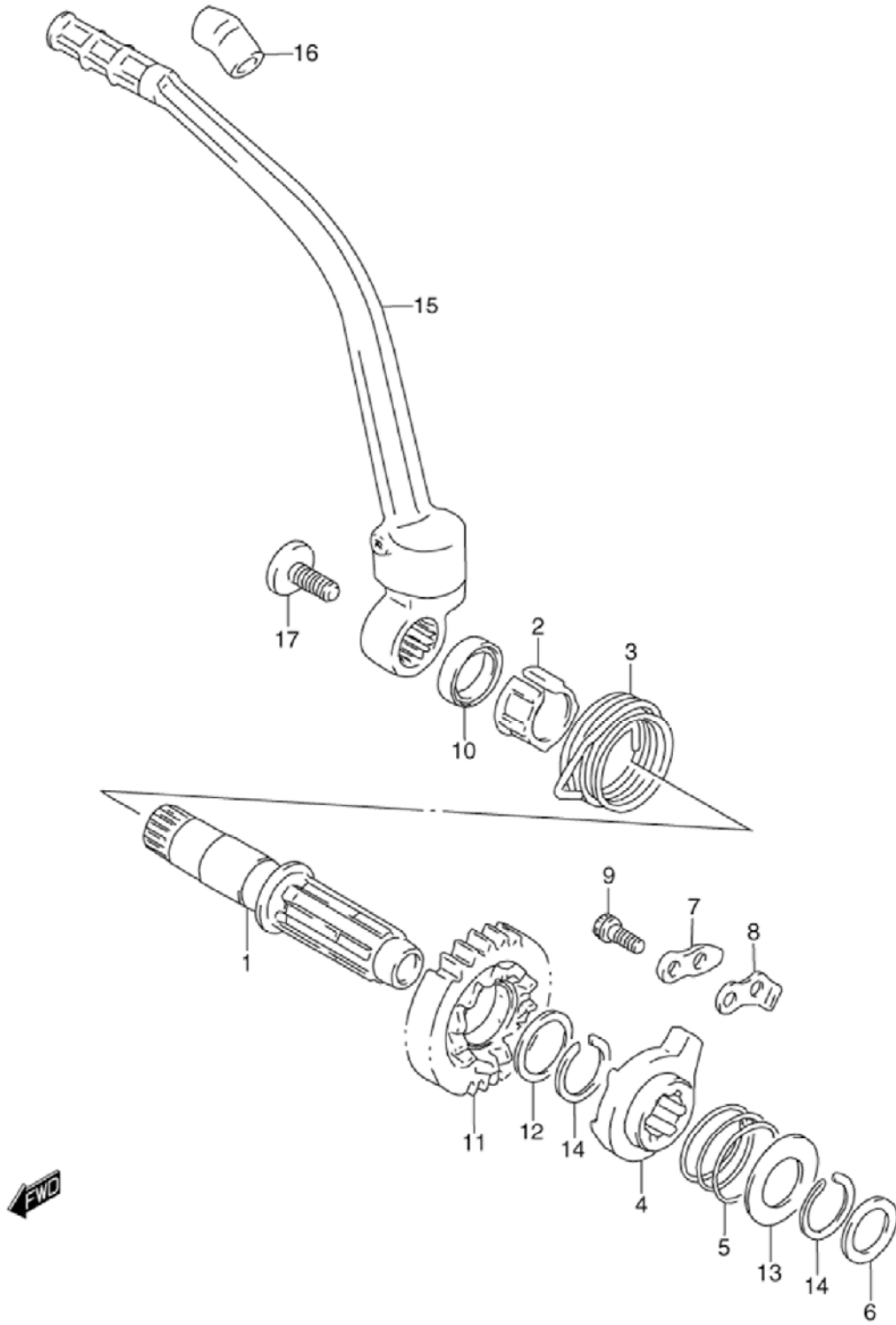


Table 17. KICK STARTER

Reference Number	Quantity Required	Part Number	Description
1	1	26211-14D03	SHAFT, KICK STARTER
2	1	26221-22A00	GUIDE, KICK SHAFT SPRING
3	1	09448-50001	SPRING, KICK STARTER SHAFT
4-1	1	26231-22A10	STARTER, KICK
4-2	1	26231-14D21	STARTER, KICK
5	1	09440-32002	SPRING, KICK STARTER
6	1	09181-17167	WASHER (17X26X1)
7	1	26232-14500	GUIDE, KICK STARTER
8	1	26233-14500	STOPPER, KICK STARTER
9	2	07130-0612A	BOLT, PISTON COOLING JET
10	1	09283-20044	SEAL, KICK (20X27X6)
11-1	1	26240-14D20	GEAR, KICK STARTER (NT:23)
11-2	1	26240-14D20	GEAR, KICK STARTER (NT:23) (E.NO.102703~,->26240-14D20W/26231-14D20)
11-3	1	26240-14D20	GEAR, KICK STARTER (NT:23)
12	1	09181-22139	WASHER (22X28X1.0)
13	1	09181-22251	WASHER (22X36X1.0)
14	2	09380-22006	CIRCLIP
15-1	1	26300-14D11	LEVER, KICK STARTER
15-2	1	26300-14D11	LEVER, KICK STARTER
16	1	26312-14D00	.COVER
17	1	09106-08102	BOLT (8X14)

FIG.18

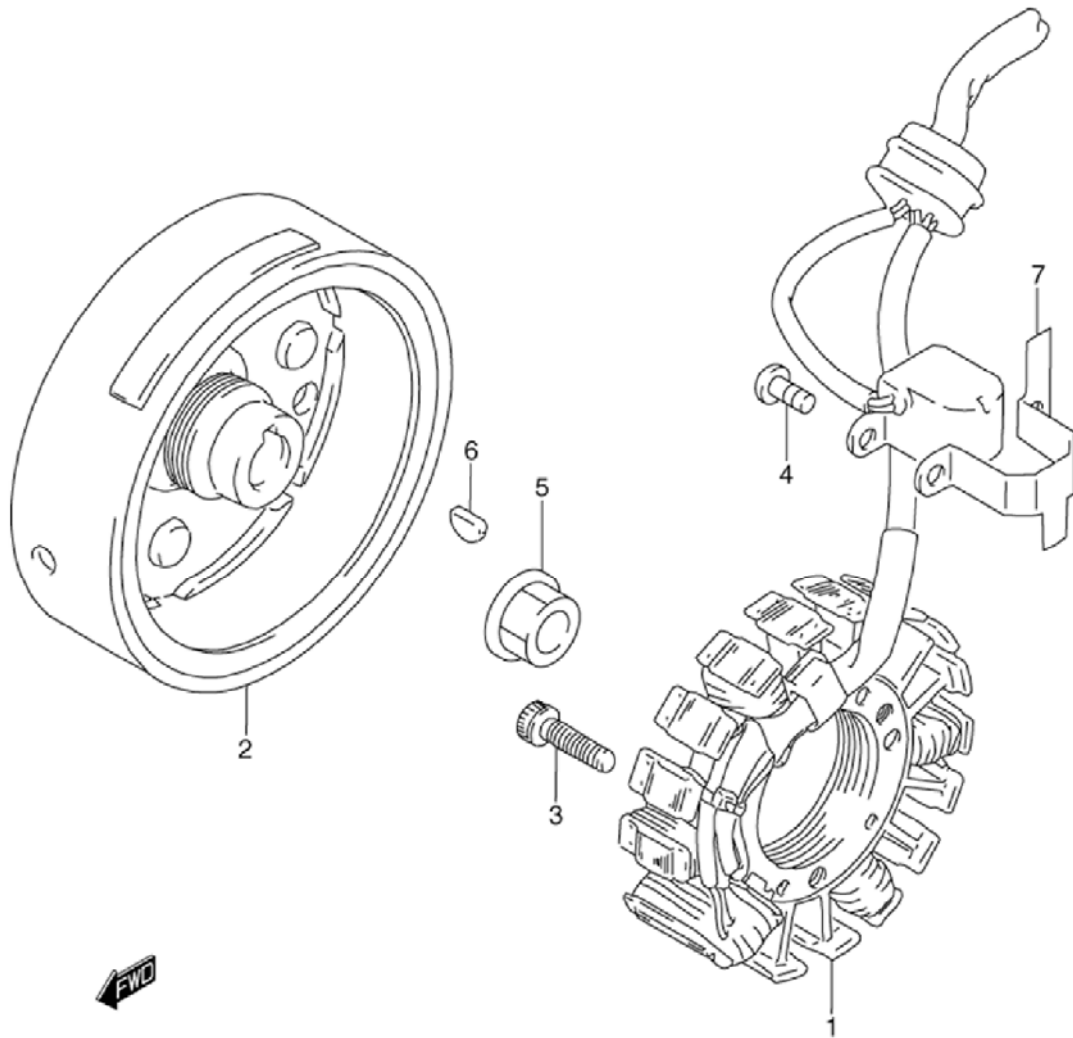


Table 18. MAGNETO (MODEL L/M/N)

Reference Number	Quantity Required	Part Number	Description
1	1	32101-14D00	STATOR ASSY
2	1	32102-14D00	ROTOR
3	3	07130-06257	BOLT
4	2	02112-05107	.SCREW, REGULATOR
5	1	09159-14015	NUT, MAGNETO ROTOR
6	1	09420-04008	KEY
7	1	32371-14D01	CLAMP, MAG PULSER LEAD

FIG.18A

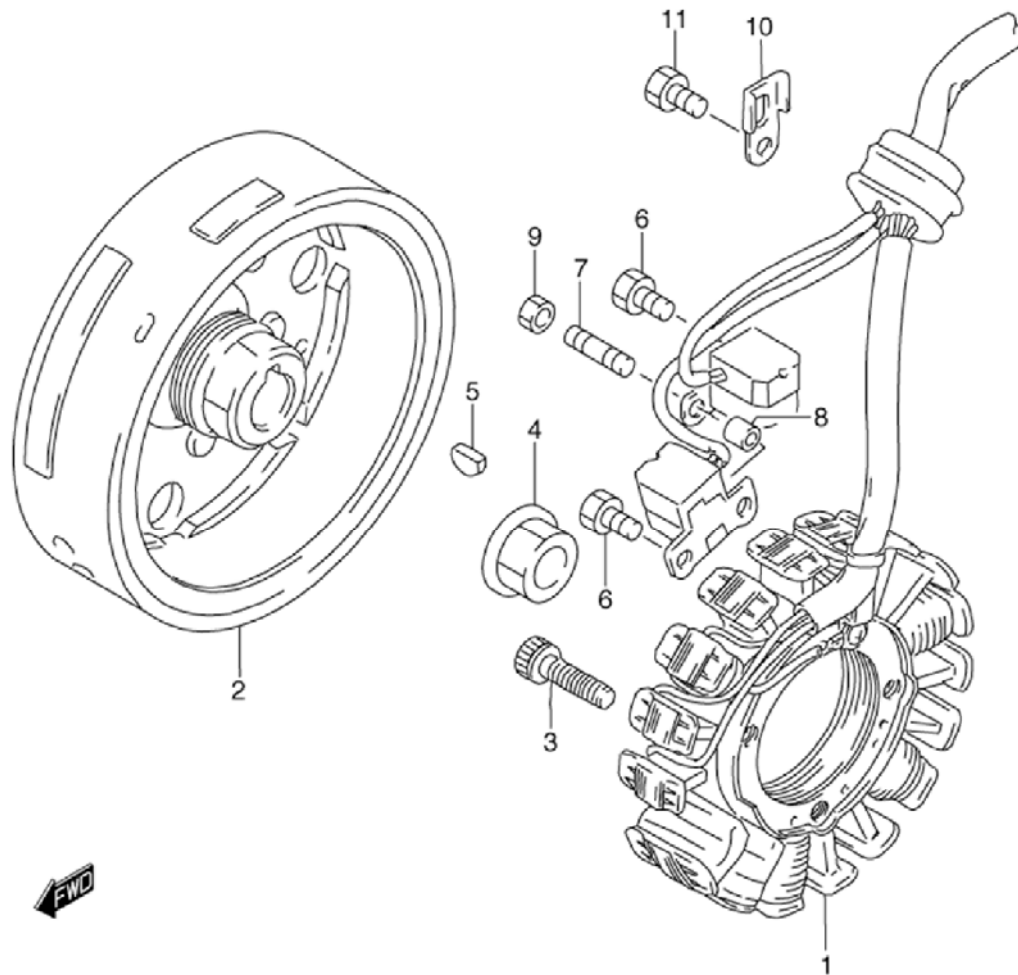


Table 18A. MAGNETO (MODEL P/R/S/T)

Reference Number	Quantity Required	Part Number	Description
1	1	32101-14D20	STATOR ASSY
2	1	32102-14D30	ROTOR
3-1	3	07130-06257	BOLT
3-2	3	07130-0625B	BOLT
4	1	09159-14015	NUT, MAGNETO ROTOR
5	1	09420-04008	KEY
6	2	09100-05019	BOLT (5X10)
7	1	09108-05014	STUD BOLT
8	1	09180-05053	SPACER (5.5X9.5X6.5)
9-1	1	08310-00057	.NUT
9-2	1	08310-0005A	NUT
10	1	31497-45000	CLAMP, GEAR SHIFT
11	1	09100-05019	BOLT (5X10)

FIG.19

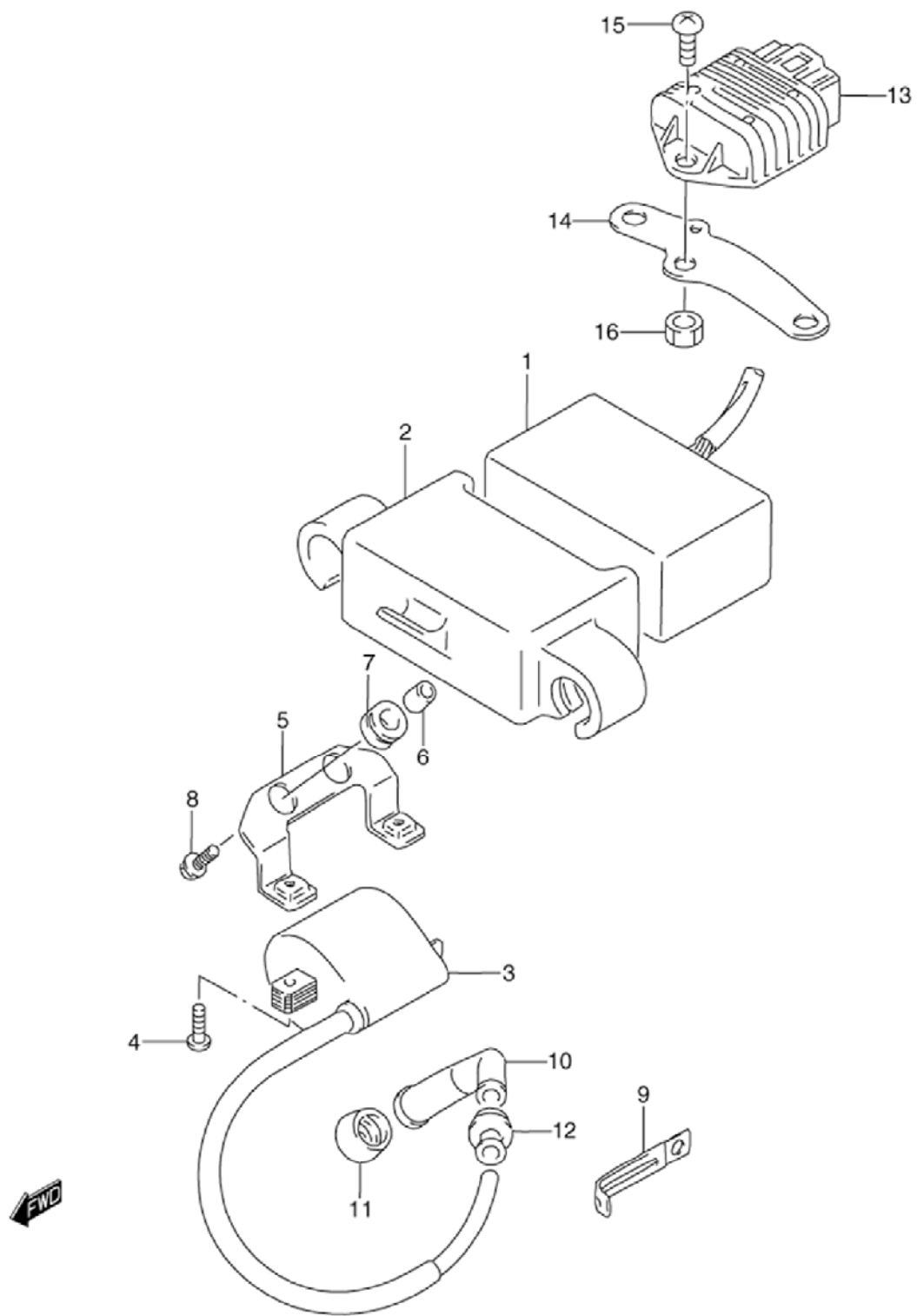


Table 19. ELECTRICAL

Reference Number	Quantity Required	Part Number	Description
1-1	1	32900-14D00	CDI UNIT
1-2	1	32900-14D30	CDI UNIT
2	1	32980-14D00	CUSHION
3	1	33410-14D00	COIL ASSY, IGNITION
4-1	2	02112-0620A	SCREW
4-2	2	02112-0620A	SCREW
5	1	33416-14D00	BRACKET, IGNITION COIL
6	2	09180-06258	SPACER (6.5X9X6.7)
7	2	09320-09036	CUSHION
8-1	2	01114-06166	BOLT
8-2	2	01560-0616A	BOLT
9-1	1	09404-06432	.CLAMP, SW LEADS
9-2	1	09404-06432	.CLAMP, SW LEADS
10	1	33510-43010	CAP, SPARK PLUG OUTER
11-1	1	33541-47D00	SEAL, SPARK PLUG CAP (SIDE)
11-2	1	33541-47D00	SEAL, SPARK PLUG CAP (SIDE)
12	1	33542-38B00	SEAL, HIGH TENSION CORD
13	1	32500-14D00	REGULATOR
14	1	32511-14D00	BRACKET, REGULATOR
15-1	1	02142-0612A	SCREW
15-2	1	02142-0612A	SCREW
16-1	1	08310-0006A	NUT, NO.1
16-2	1	08310-0006A	NUT, NO.1

FIG.20

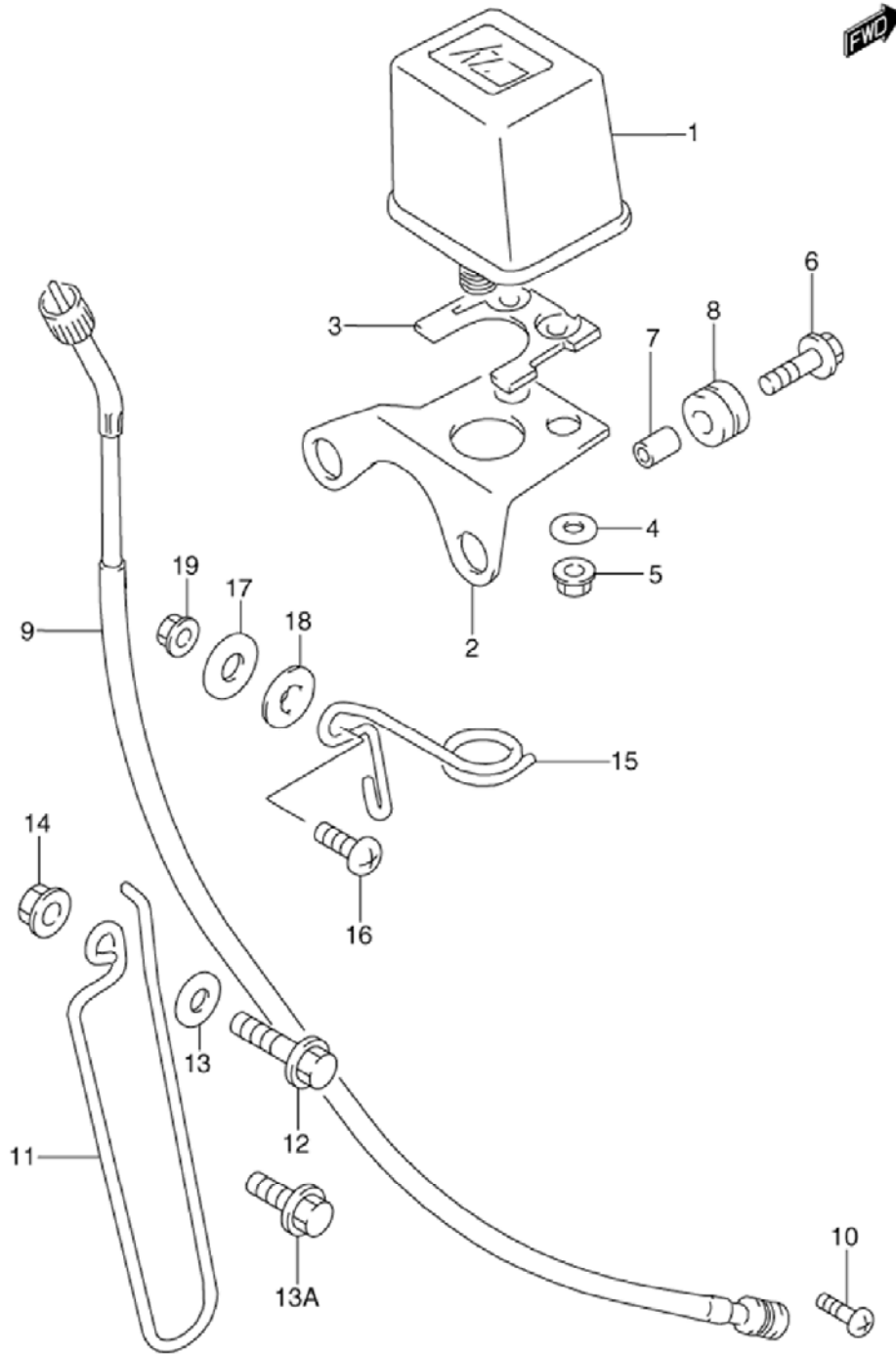


Table 20. TRIP METER

Reference Number	Quantity Required	Part Number	Description
1-1	1	34721-05D20	TRIP METER (MILE/KILO)
1-2	1	34721-05D20	TRIP METER (MILE/KILO)
2	1	34725-14D00	BRACKET
3-1	1	34726-41410	CUSHION
3-2	1	34726-05D20	CUSHION
4-1	2	09160-04017	WASHER (4.3X13X0.8)
4-2	2	09160-04017	WASHER (4.3X13X0.8)
5-1	2	08310-00047	NUT
5-2	2	08310-00047	NUT
6	2	09118-06086	BOLT, TRIP METER (6X25)
7	2	09180-06248	SPACER (6.1X8X9.5)
8	2	09320-08501	CUSHION
9-1	1	34910-14D01	CABLE, TRIP METER
9-2	1	34910-14D01	CABLE, TRIP METER
10-1	1	02112-05164	.SCREW
10-2	1	02112-0516A	SCREW, METER CABLE
11	1	34938-14D30	GUIDE, METER CABLE NO.2
12-1	1	01550-06207	BOLT
12-2	1	01550-0620A	BOLT
13-1	1	09160-06066	WASHER, THROTTLE LEVER
13-2	1	09160-06066	WASHER, THROTTLE LEVER
13A	1	09116-06167	BOLT
14-1	1	08319-31067	.NUT, AXLE HOLDER
14-2	1	08316-1006B	NUT
15	1	34938-14D21	GUIDE, METER CABLE NO.1
16-1	1	02142-06167	SCREW
16-2	1	02142-0616A	SCREW
17	1	09160-06109	WASHER, 6.5X18X1.6
18	1	09169-06053	WASHER, CA HOLDER (6.3X16X1)
19-1	1	08310-00067	.NUT
19-2	1	08310-0006A	NUT, NO.1

FIG.21

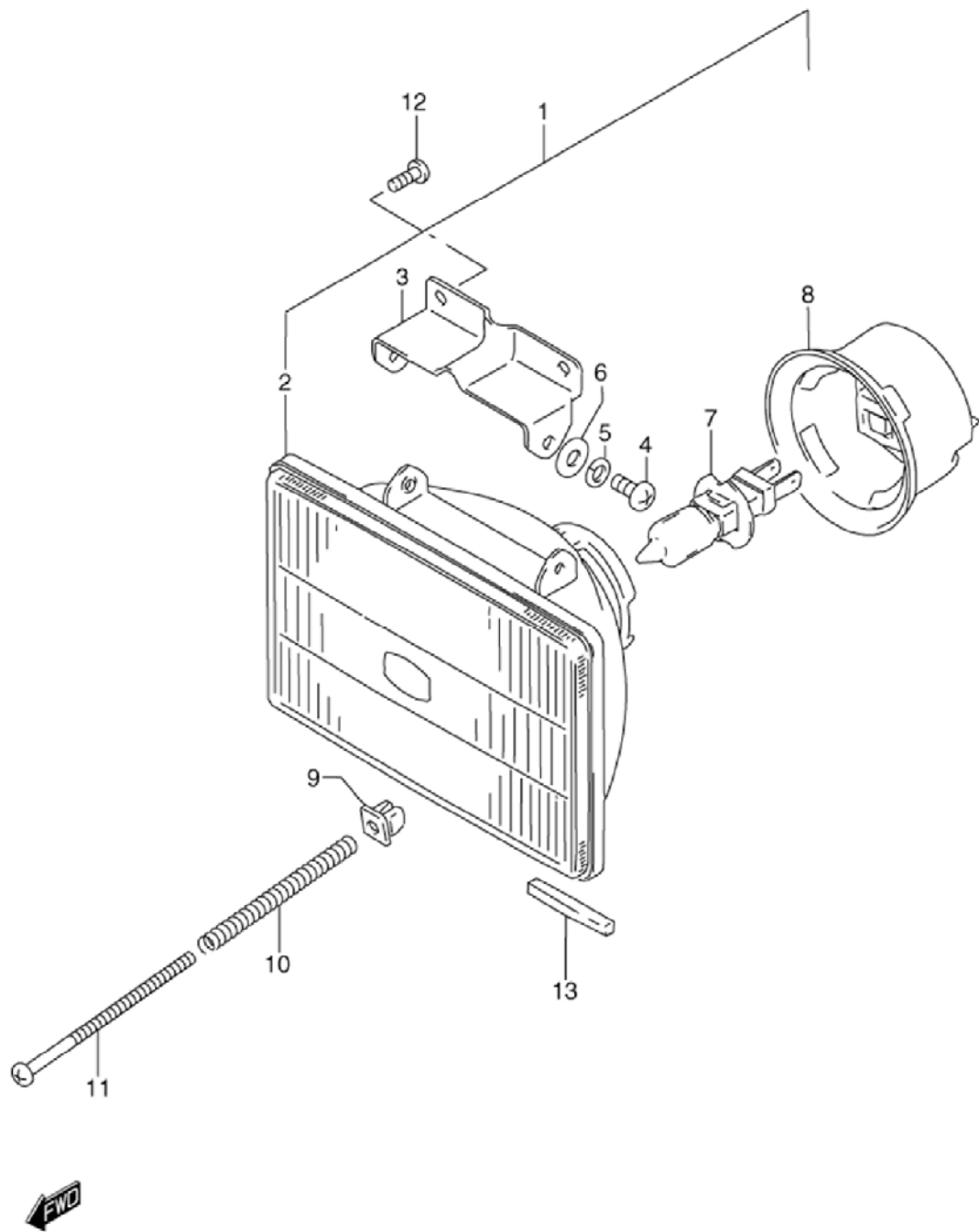


Table 21. HEADLAMP

Reference Number	Quantity Required	Part Number	Description
1-1	1	35100-05D00	HEADLAMP ASSY
1-2	1	35100-05D10	HEADLAMP ASSY
2	1	35121-05D01	.UNIT, LAMP
3	1	35230-05D00	.BRACKET, LAMP
4	2	35136-16700	.SCREW
5-1	2	08321-0105A	WASHER,LOCK
5-2	2	08321-0105A	WASHER,LOCK
6	2	35138-05D00	.WASHER
7	1	09471-12160	.BULB (12V,55W)
8	1	35173-05D00	.COVER, SOCKET
9-1	1	35135-12E20	.NUT, ADJUSTING
9-2	1	35135-12E20	.NUT, ADJUSTING
10	1	35154-30B00	SPRING, HEADLAMP
11-2	1	09125-04501	.SCREW (4X45)
12-1	2	03511-04103	SCREW
12-2	2	03511-04103	SCREW
13-1	2	33652-20C00	PROTECTOR (50X50X5.0)
13-2	2	33652-20C00	PROTECTOR (50X50X5.0)

FIG.22

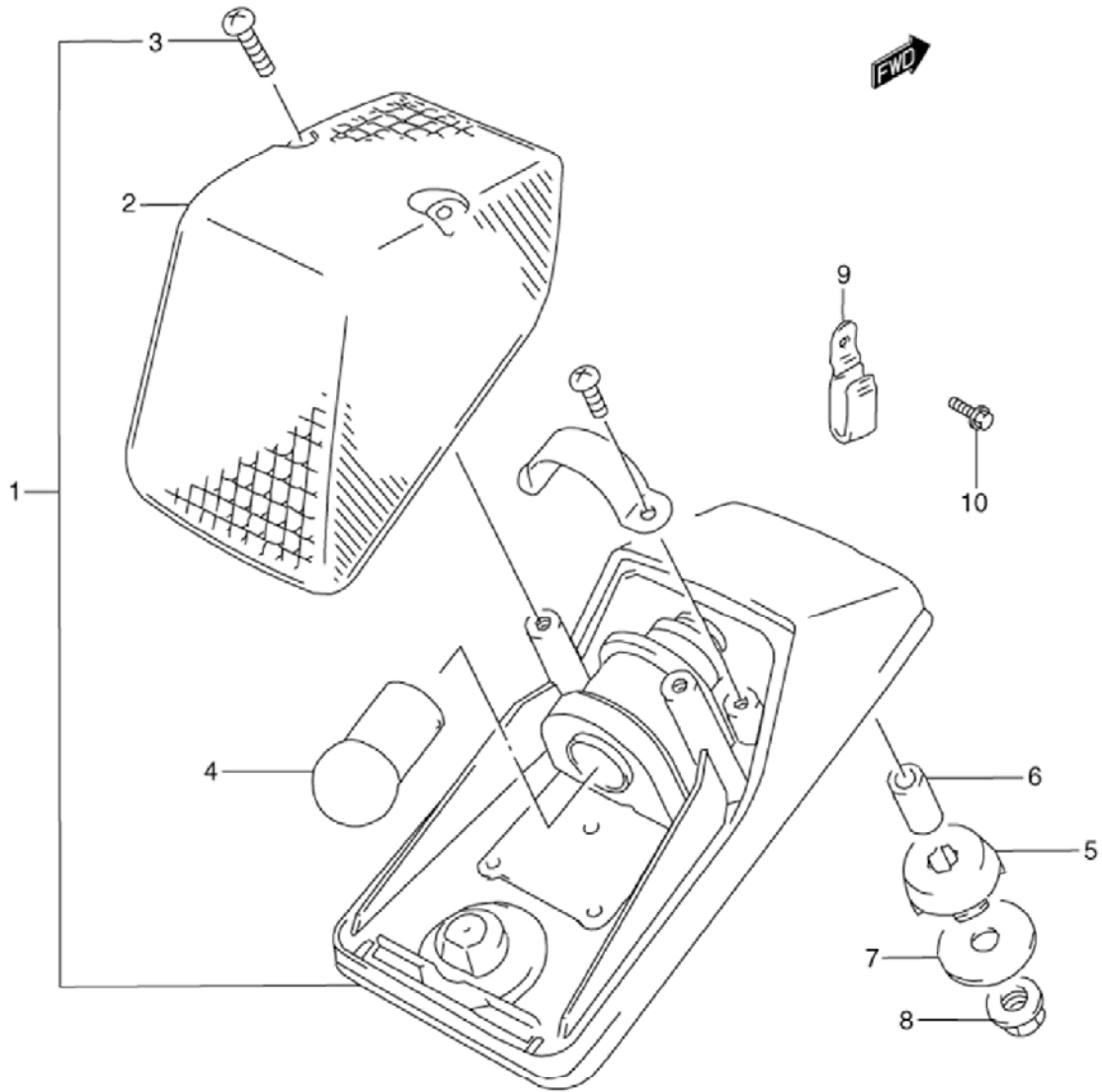


Table 22. TAIL LAMP

Reference Number	Quantity Required	Part Number	Description
1	1	35710-14D00	LAMP ASSY, TAIL
2	1	35712-03D00	.LENS
3	2	03511-0416A	SCREW
4	1	09471-12058	.BULB (12V,5W)
5	2	09320-09010	CUSHION
6	2	09180-06121	SPACER (6.4X9.2X12)
7-1	2	09160-06077	WASHER, LICENSE
7-2	2	09160-06077	WASHER, LICENSE
8-1	2	08316-1006B	NUT
8-2	2	08310-0006A	NUT, NO.1
9	1	09403-06408	CLAMP
10	1	03541-0412A	SCREW

FIG.23

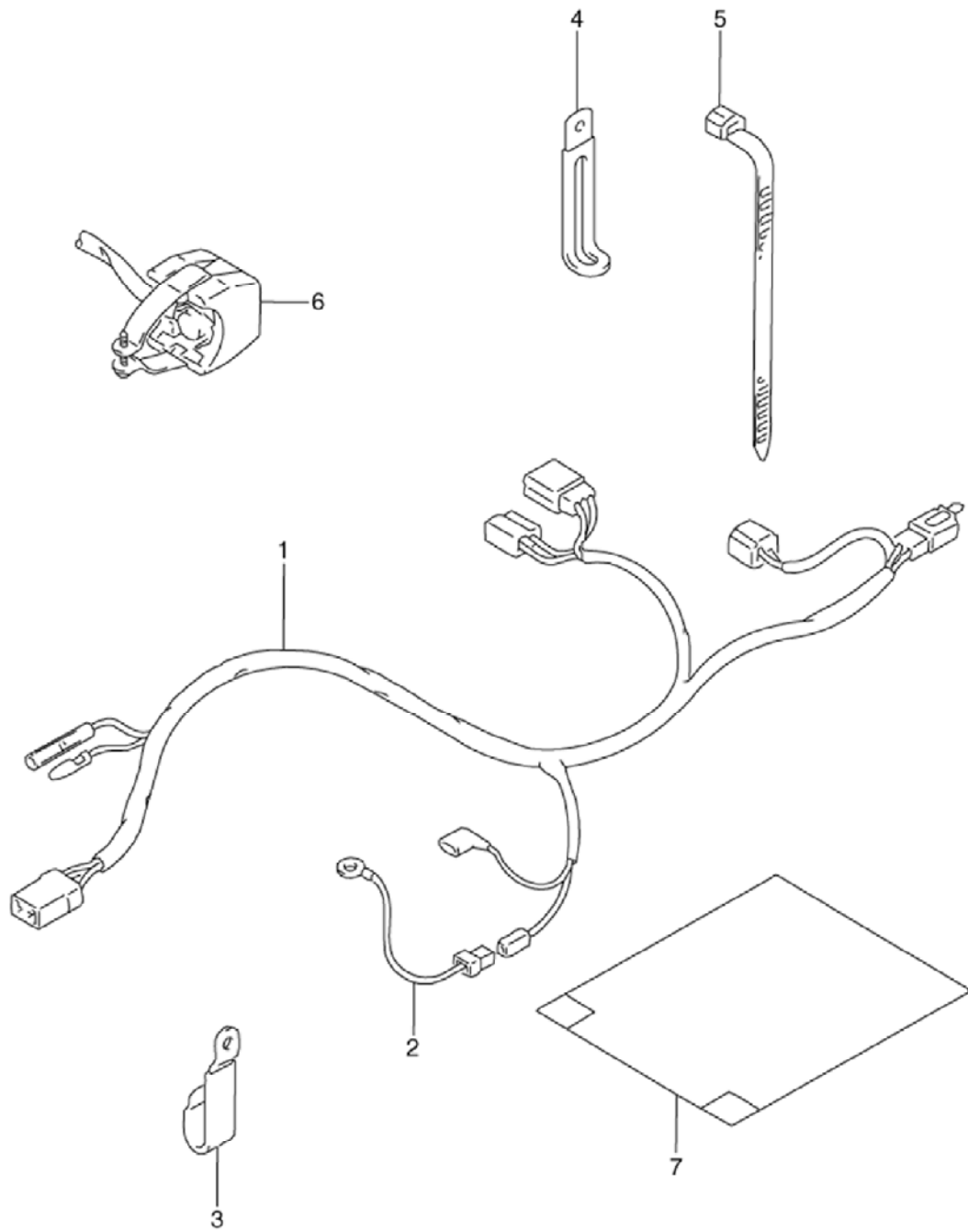


Table 23. WIRING HARNESS

Reference Number	Quantity Required	Part Number	Description
1	1	36610-14D00	WIRING HARNESS
2-1	1	36851-05D00	WIRE, IGNITION COIL
2-2	1	36851-05D00	WIRE, IGNITION COIL
3	1	09403-06307	CLAMP
4-1	4	09404-06432	.CLAMP, SW LEADS
4-2	2	09404-06432	.CLAMP, SW LEADS
4-3	2	09404-08420	CLAMP, L:120
5-1	2	09407-11401	.CLAMP, SW LEAD (L:95)
5-2	10	09407-14403	.CLAMP, BATTERY CABLE
5-3	1	09407-18402	CLAMP (L:165)
5-4	1	09407-25401	CLAMP (L:235)
6-1	1	37820-14X50	SWITCH ASSY, ENGINE STOP
6-2	1	37820-14X50	SWITCH ASSY, ENGINE STOP
7	1	36618-15D20	COVER, WIRING HARNESS

FIG.24

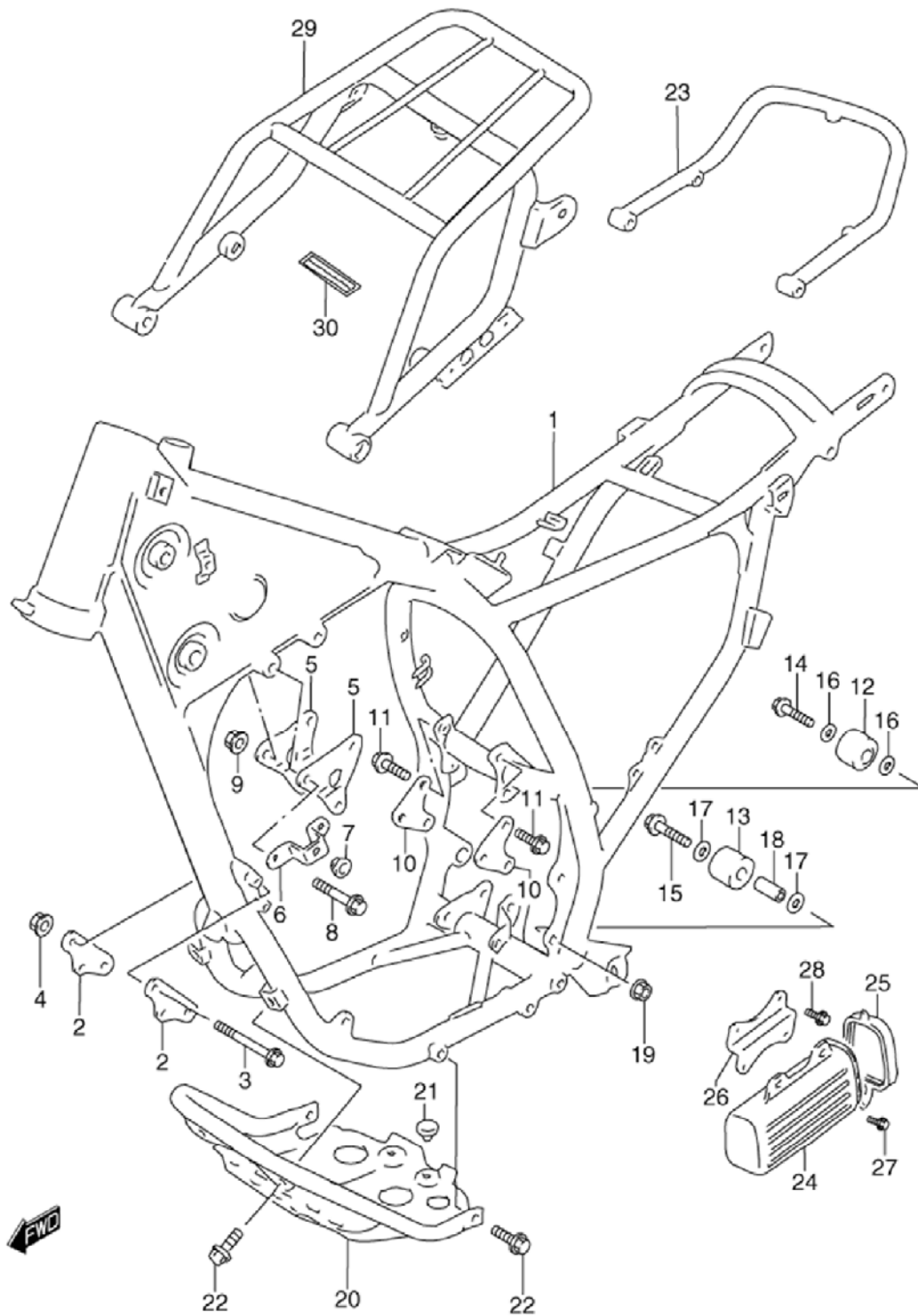


Table 24. FRAME

Reference Number	Quantity Required	Part Number	Description
1-1	1	41100-14D12-1AZ	FRAME
1-2	1	41100-14D12-1AZ	FRAME
1-3	1	41100-14D12-1AZ	FRAME
1-5	1	41100-14D12-24K	FRAME (CHARCOAL)
2	2	41911-14D01	PLATE, FRONT
3-1	2	09103-08294	BOLT
3-2	2	09103-08294	BOLT
4-1	2	08319-31087	NUT
4-2	2	09159-08034	NUT
5	2	41991-14D01	PLATE, UPPER
6	1	44164-14D00	PLATE, FUEL TANK STOPPER LH
7	1	09321-10018	CUSHION, MUFFLER
8	2	09103-08293	BOLT
9-1	2	08319-31087	NUT
9-2	2	09159-08034	NUT
10	2	41971-14D01	PLATE, LOWER (SILVER)
11	4	09103-08283-A05	BOLT
12-1	1	43910-27C11	ROLLER, CHAIN LOWER
12-2	2	43910-27C11	ROLLER, CHAIN LOWER
13	1	43911-01B10	ROLLER, CHAIN LOWER
14	1	09103-08178	BOLT
15-1	1	01550-08457	BOLT
15-2	1	09103-08043	BOLT
16-1	2	09160-08074	WASHER
16-2	2	08211-08121	WASHER
17-1	2	09160-08130	WASHER (8.5X24X1.6)
17-2	2	09160-08074	WASHER
17-3	2	08211-08121	WASHER
18	1	09180-08206	SPACER, REAR (8.5X14X28)
19-1	1	08313-20087	NUT, CRANKCASE STUD BOLT
19-2	1	08313-2008A	NUT
20-1	1	42510-14D10-13L	PROTECTOR, ENGINE (SILVER)
20-2	1	42510-14D10-13L	PROTECTOR, ENGINE (SILVER)
21	2	09321-10026	CUSHION
22-1	4	01550-08127	BOLT
22-2	4	01550-0812A	PLUG, OIL GALLERY
23-1	1	43980-14D52-1AZ	GRIP, REAR (YELLOW)
23-2	1	43980-14D52-1AZ	GRIP, REAR (YELLOW)
23-3	1	43980-14D52-1TS	GRIP, REAR (WHITE)
23-4	1	43980-14D52-1TS	GRIP, REAR (WHITE)
24	1	47431-14D00	HOLDER, TOOL
25	1	47432-14D00	CAP, TOOL HOLDER
26	1	47440-14D00	PLATE, FITTING
27-1	2	09116-06165	BOLT (6X16)
27-2	2	09116-06165	BOLT (6X16)
28-1	2	01550-0610A	BOLT
28-2	2	01550-0610A	BOLT
30	1	68391-14D00	LABEL

FIG.25

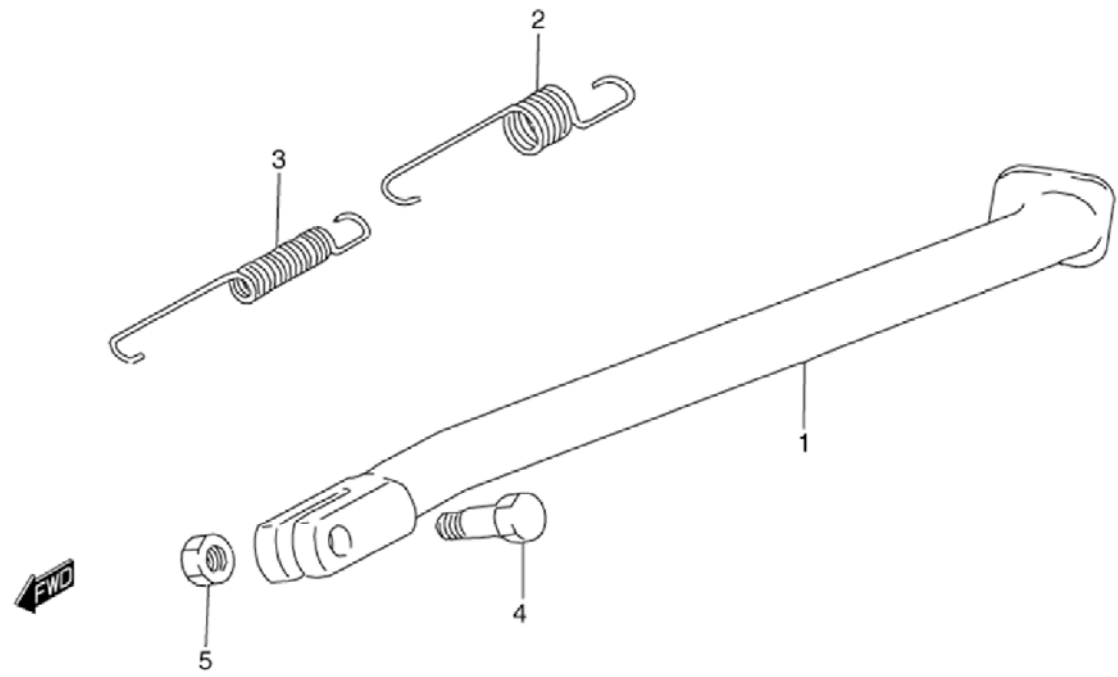
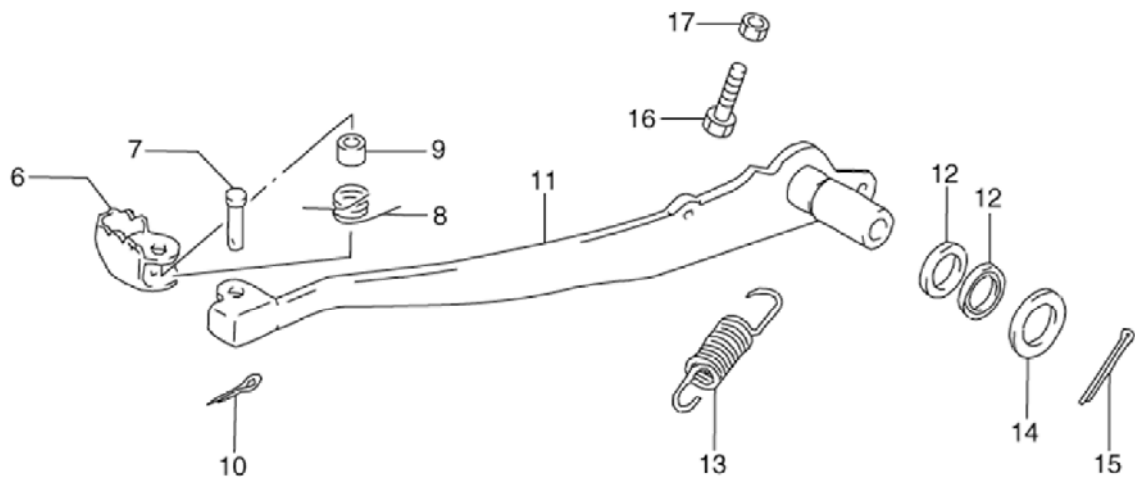


Table 25. STAND - REAR BRAKE

Reference Number	Quantity Required	Part Number	Description
1-1	1	42310-14D12-019	STAND, PROP (BLACK)
1-2	1	42310-14D12-019	STAND, PROP (BLACK)
2	1	09443-19010	SPRING, OUTER
3	1	09443-12036	SPRING, INNER
4	1	09111-10047	BOLT
5-1	1	08310-00107	NUT
5-2	1	09159-10097	NUT
6	1	43110-14130	PEDAL, BRAKE
7	1	09200-06038	PIN
8-1	1	09444-11005	SPRING
8-2	1	09444-11005	SPRING
9-1	1	09180-06137	SPACER
9-2	1	09180-06257	SPACER
10	1	04111-20158	COTTER PIN
11	1	43120-15D00	ARM, BRAKE PEDAL
12	2	09284-15006	.OIL SEAL
13	1	09443-14025	SPRING
14	1	09160-15002	WASHER
15	1	04111-3030A	COTTER PIN
16	1	09100-06009	BOLT (6X23)
17-1	1	08310-00067	.NUT
17-2	1	08310-0006A	NUT, NO.1

FIG.26

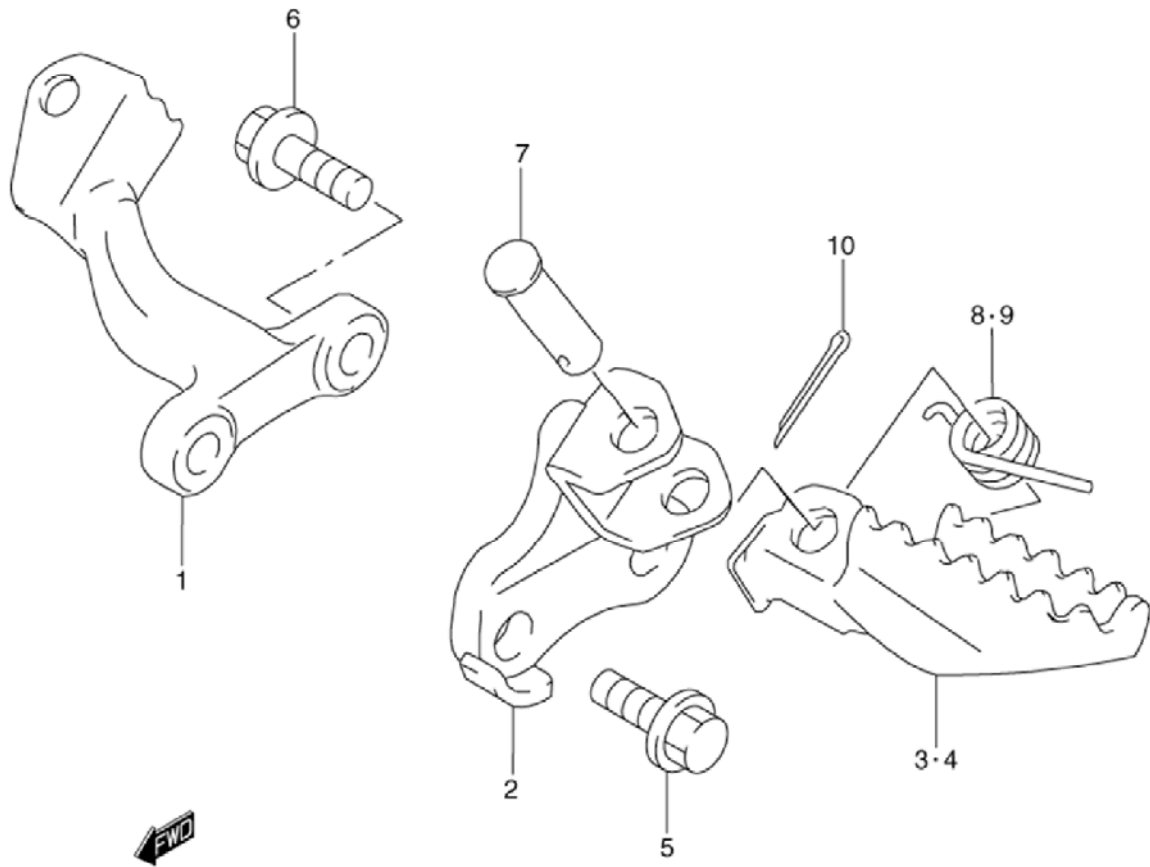


Table 26. FOOTREST

Reference Number	Quantity Required	Part Number	Description
1-2	1	43510-14D11-1AZ	BRACKET,FR FOOT
1-3	1	43510-14D12-019	BRACKET, FOOTREST RH (BLACK)
1-4	1	43510-14D12-019	BRACKET, FOOTREST RH (BLACK)
2-3	1	43520-14D00-019	BRACKET, FOOTREST LH (BLACK)
3-1	1	43550-14D00-1AZ	FOOTREST, FRONT RH (YELLOW)
3-2	1	43550-14D00-1AZ	FOOTREST, FRONT RH (YELLOW)
3-3	1	43550-14D10	FOOTREST,FRONT,
3-4	1	43550-14D10	FOOTREST,FRONT,
4-1	1	43560-14D00-1AZ	FOOTREST, FRONT LH (YELLOW)
4-2	1	43560-14D00-1AZ	FOOTREST, FRONT LH (YELLOW)
4-3	1	43560-14D10	FOOTREST, FRONT LH
4-4	1	43560-14D10	FOOTREST, FRONT LH
5-1	2	09103-10233	BOLT, FOOTREST FRONT
5-2	4	09103-10245	BOLT
6	2	09103-10037	BOLT
7	2	09200-10013	PIN
8	1	09448-15008-XC0	SPRING
9	1	09448-15004	SPRING
10	2	04111-2020A	COTTER PIN

FIG.27

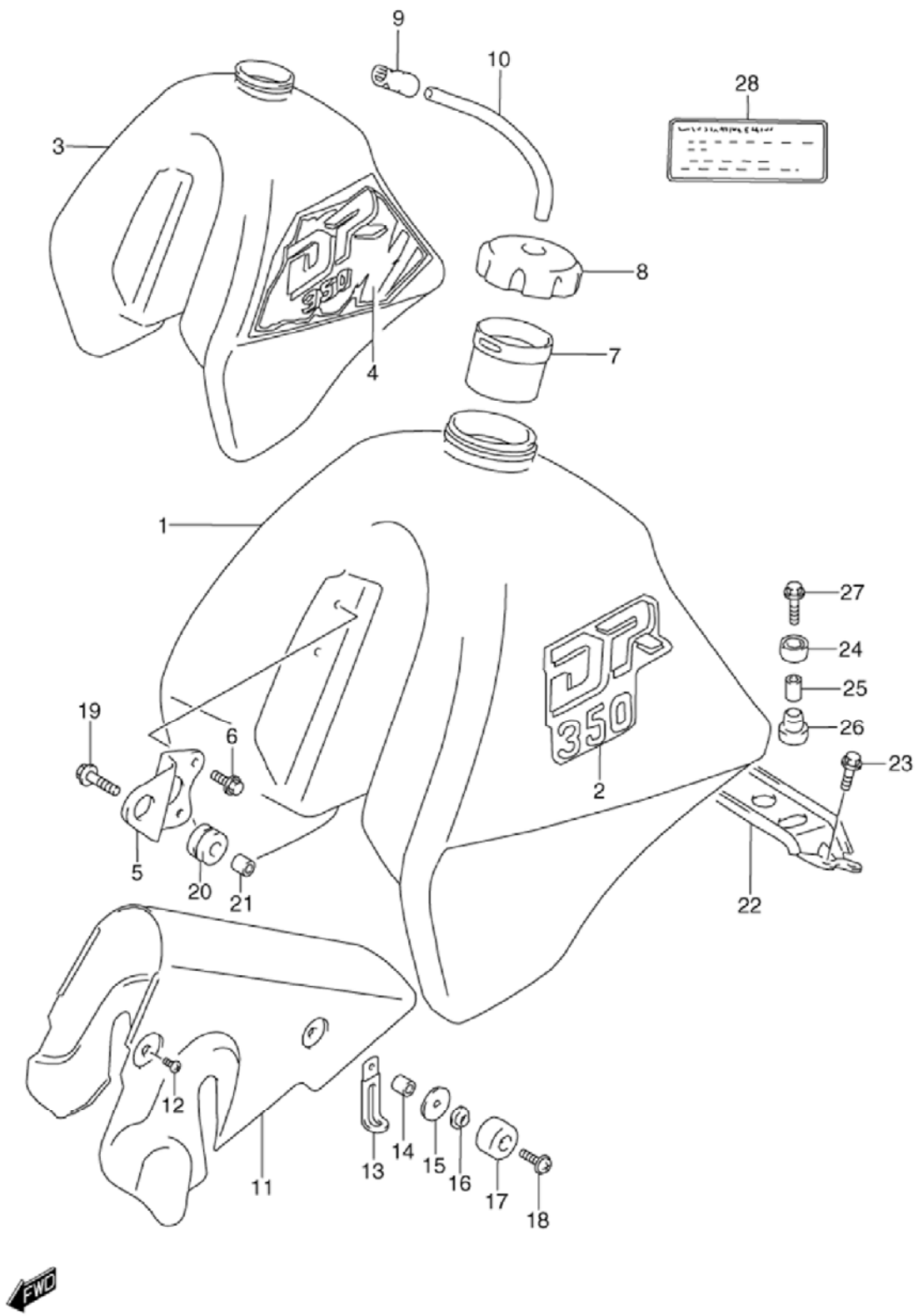


Table 27. FUEL TANK (MODEL L/M)

Reference Number	Quantity Required	Part Number	Description
2	2	68111-14D00-B25	.EMBLEM
4	1	68110-14D41-0WC	.TAPE SET, FUEL TANK
5	2	44131-14D10	BRACKET
6	4	01547-06127	BOLT, UNDER OIL SEAL PLATE
7	1	44199-19A00	TUBE, INLET
8	1	44200-19A01	CAP, FUEL TANK
9	1	44486-32101	.CLAMP
10	1	09352-50823-600	HOSE
11	1	49131-14D00	HEAT SHIELD, FUEL TANK
12	4	02142-05087	.SCREW
13	2	09404-06432	.CLAMP, SW LEADS
14	1	09180-06122	SPACER, SIDE
15	1	09160-06135	WASHER, INNER
16	1	09169-06040	WASHER
17	1	45149-14D00	CUSHION, SIDE
18	1	02112-16253	SCREW
19	2	09118-08119	BOLT, FRONT
20	2	09320-12053	CUSHION
21	2	09180-08190	SPACER
22	1	44151-14D00	BRACKET, FUEL TANK REAR
23	4	01550-0610A	BOLT
24	2	09320-14013	CUSHION
25	2	09180-06271	SPACER
26	2	09320-10020	CUSHION, LOWER
27	2	09116-06172	BOLT
28	1	68393-14D10	LABEL, THROTTLE POSITION

FIG.27A

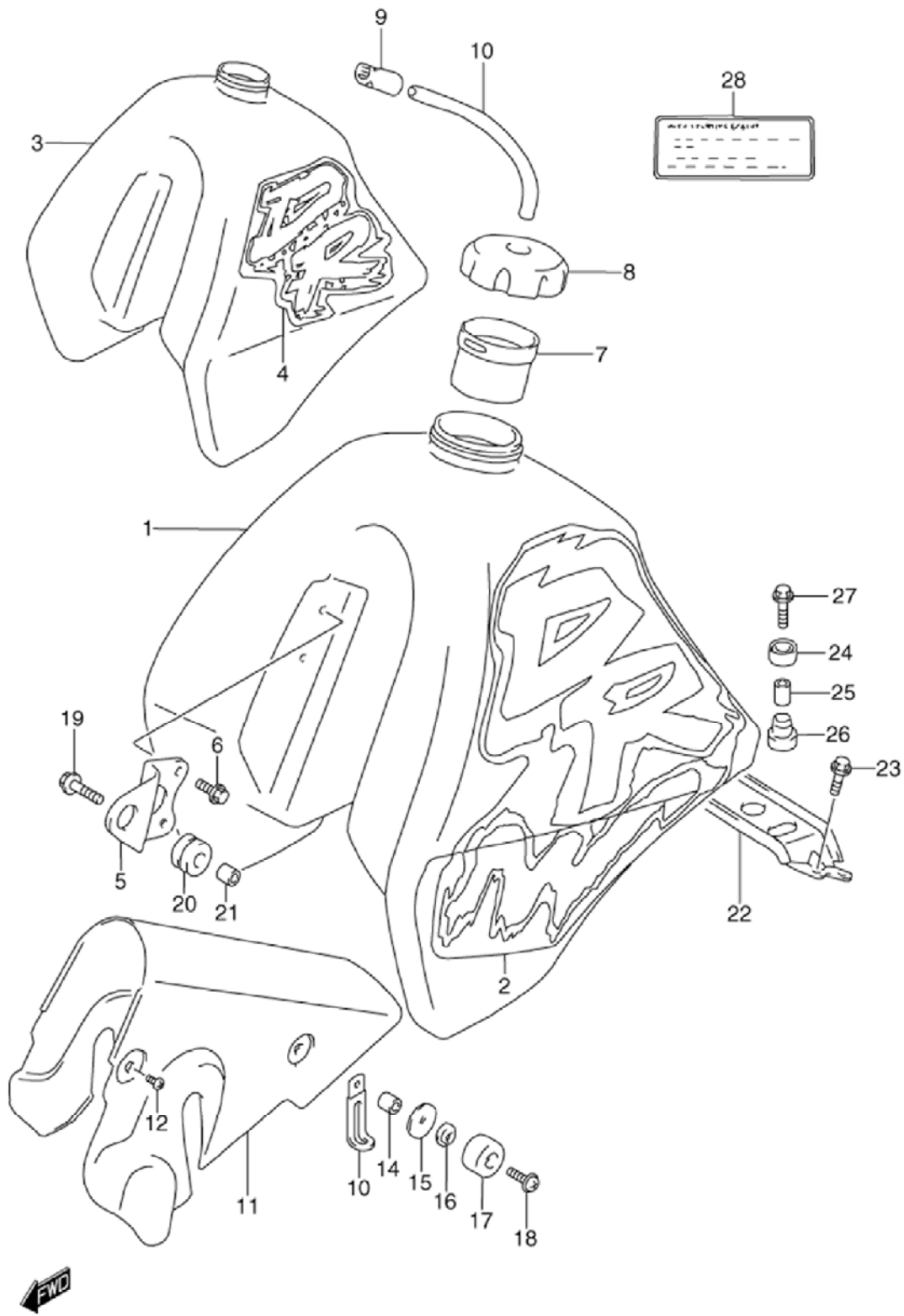


Table 27A. FUEL TANK (MODEL N/P)

Reference Number	Quantity Required	Part Number	Description
2	1	68110-14E00-M78	.TAPE SET, FUEL TANK
4	1	68110-15E10-A8A	.TAPE SET, FUEL TANK
5	2	44131-14D10	BRACKET
6	4	01547-06127	BOLT, UNDER OIL SEAL PLATE
7	1	44199-19A00	TUBE, INLET
8	1	44200-19A01	CAP, FUEL TANK
9	1	44486-32101	.CLAMP
10	1	09352-50823-600	HOSE
11	1	49131-14D00	HEAT SHIELD, FUEL TANK
12	4	02142-05087	.SCREW
13	2	09404-06432	.CLAMP, SW LEADS
14	1	09180-06122	SPACER, SIDE
15	1	09160-06135	WASHER, INNER
16	1	09169-06040	WASHER
17	1	45149-14D00	CUSHION, SIDE
18	1	02112-16253	SCREW
19	2	09118-08119	BOLT, FRONT
20	2	09320-12053	CUSHION
21	2	09180-08190	SPACER
22	1	44151-14D00	BRACKET, FUEL TANK REAR
23	4	01550-0610A	BOLT
24	2	09320-14013	CUSHION
25	2	09180-06271	SPACER
26	2	09320-10020	CUSHION, LOWER
27	2	09116-06172	BOLT
28	1	68393-14D10	LABEL, THROTTLE POSITION

FIG.27B

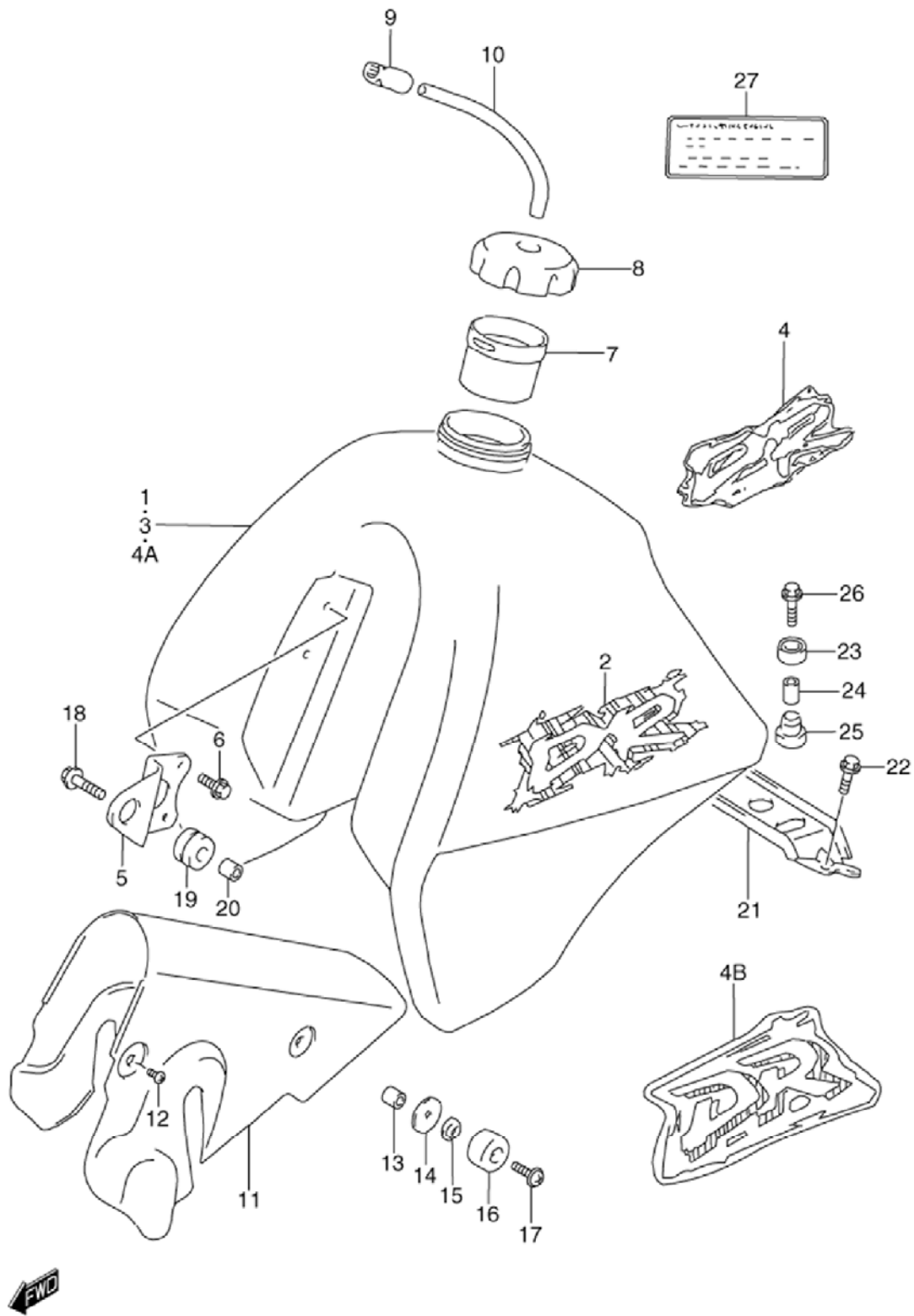


Table 27B. FUEL TANK (MODEL R/S/T)

Reference Number	Quantity Required	Part Number	Description
1	1	44100-14EA0-30H	TANK ASSY, FUEL (WHITE)
2	1	68110-15E30-C5B	.EMBLEM SET, FUEL TANK
3	1	44100-14EH0-30H	TANK ASSY, FUEL
4	1	68120-14E10-D1P	.EMBLEM SET, FUEL TANK
4A	1	44100-14EN0-30H	TANK ASSY, FUEL (WHITE)
4B	1	68110-14E10-Z65	.TAPE SET, FUEL TANK
5	2	44131-14D10	BRACKET
6	4	01547-0612B	BOLT 6X12 BLK 8
7	1	44199-19A00	TUBE, INLET
8	1	44200-19A01	CAP, FUEL TANK
9	1	44486-32101	.CLAMP
10	1	09352-50823-600	HOSE
11	1	49131-14D00	HEAT SHIELD, FUEL TANK
12	4	01560-05103	SCREW
13	1	09180-06122	SPACER, SIDE
14	1	09160-06135	WASHER, INNER
15	1	09169-06040	WASHER
16	1	45149-14D00	CUSHION, SIDE
17-1	1	02112-0625A	SCREW
17-2	1	02112-16253	SCREW
18	2	09118-08119	BOLT, FRONT
19	2	09320-12053	CUSHION
20	2	09180-08190	SPACER
21	1	44151-14D00	BRACKET, FUEL TANK REAR
22	4	01550-0610A	BOLT
23	2	09320-14013	CUSHION
24	2	09180-06271	SPACER
25	2	09320-10020	CUSHION, LOWER
26-1	2	09116-06172	BOLT
26-2	2	09116-06172	BOLT
27	1	68393-14D10	LABEL, THROTTLE POSITION

FIG.28

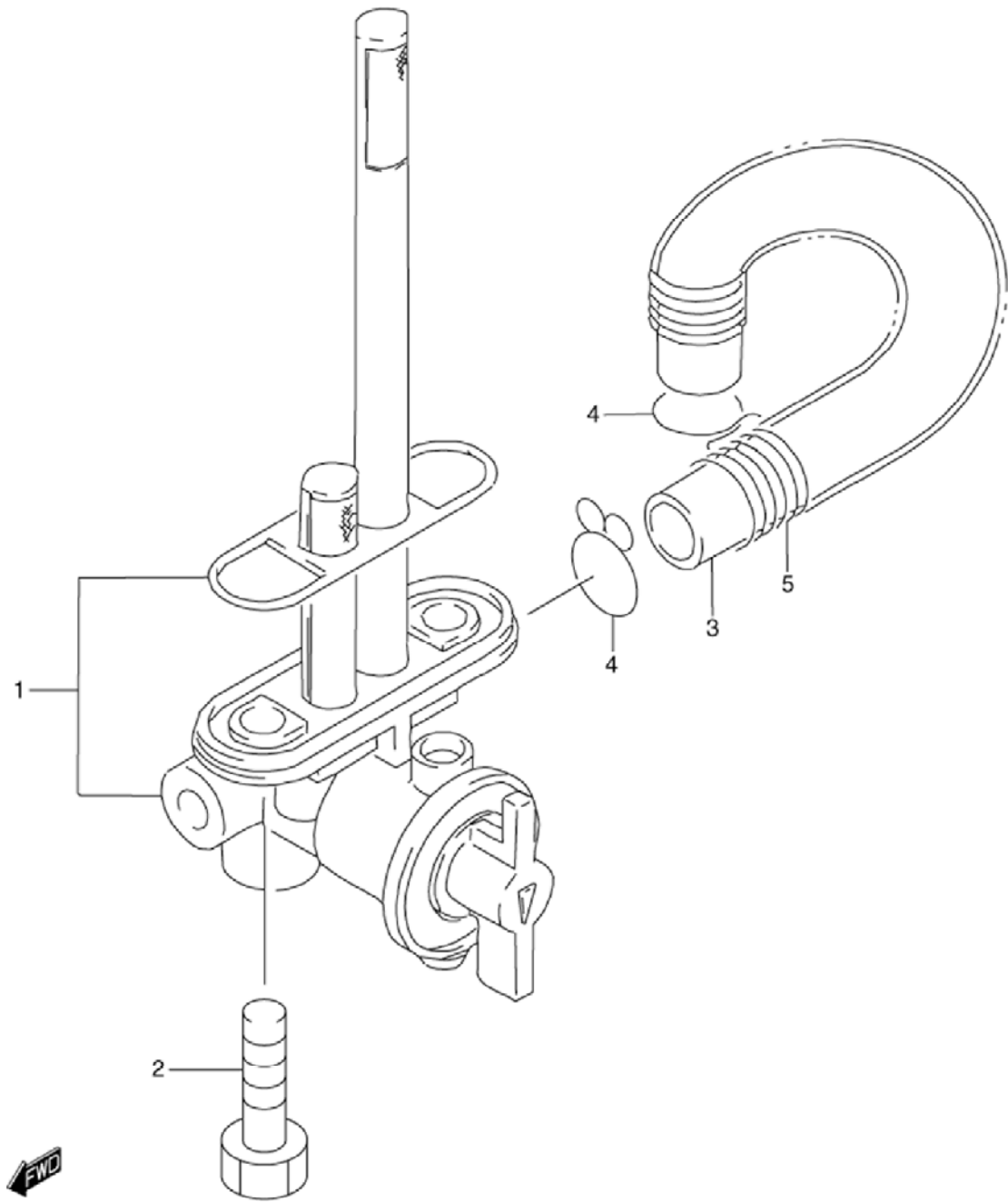


Table 28. FUEL COCK

Reference Number	Quantity Required	Part Number	Description
1	1	44300-14D00	COCK ASSY, FUEL
2-1	2	02112-36167	SCREW
2-2	2	02112-3616A	SCREW
3	1	09352-70103-600	CUSHION, R/CON CABLE STOPPER
4	2	09401-10401	CLIP
5	1	09440-13031	SPRING

FIG.29

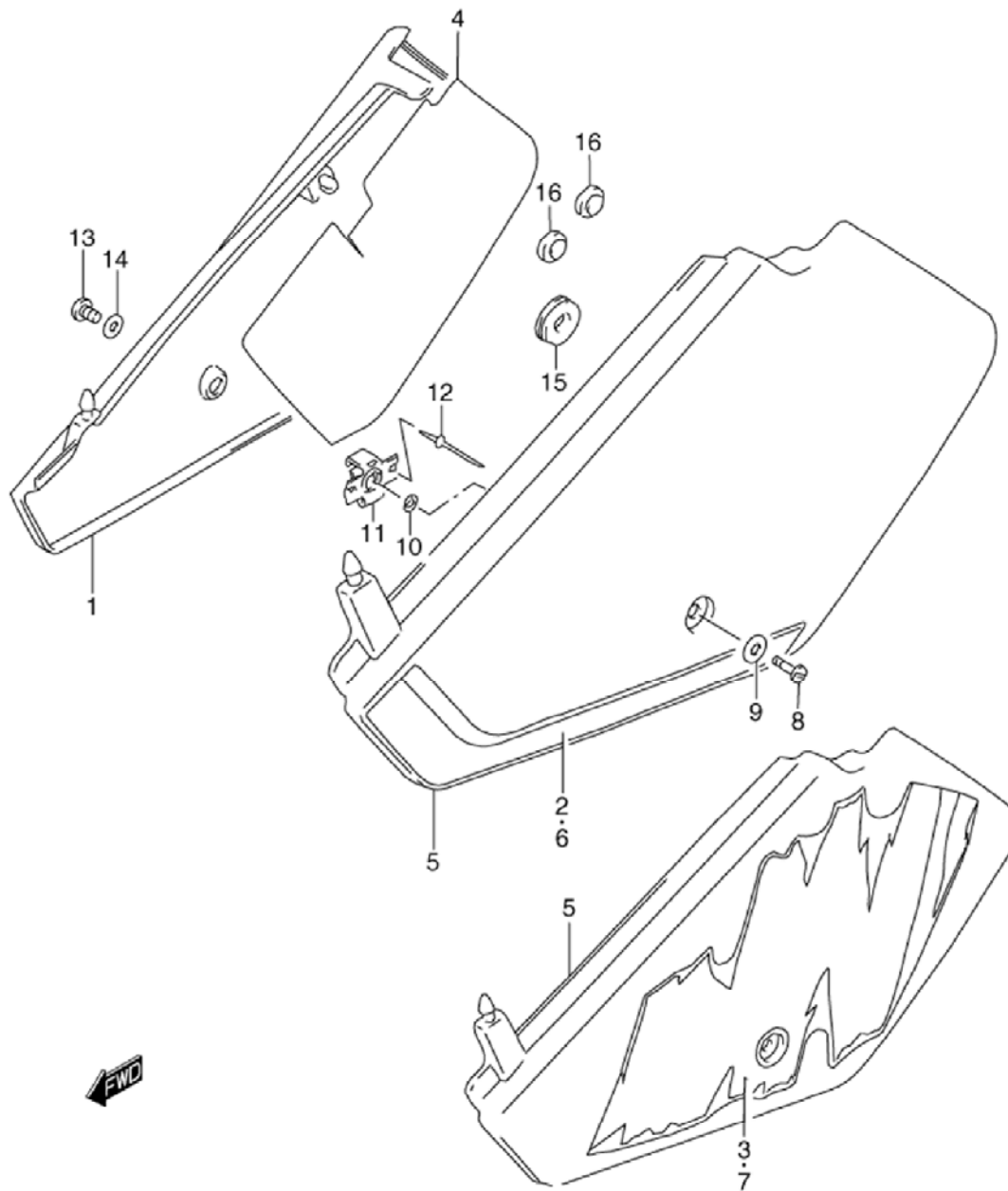


Table 29. FRAME COVER (MODEL L/M)

Reference Number	Quantity Required	Part Number	Description
1	1	47111-14D00-30H	COVER, FRAME RH (WHITE)
4	1	47166-14D00	SHIELD, FRAME COVER RH
5	1	47211-14D00-30H	COVER, FRAME LH (WHITE)
6	1	68145-14D00-B26	TAPE, FRAME COVER LH
7	1	68145-14D40-0WC	TAPE, FRAME COVER LH
8	1	94472-14D10	STUD, FRAME COVER LH
9	1	09160-07014	WASHER
10	1	94473-14D00	RETAINER, LH
11	1	94474-12C00	PLATE, FITTING LH
12	1	09229-03011	RIVET
13	1	09139-06050	SCREW (6X20)
14	1	09169-06041	WASHER, GUIDE RR BRAKE HOSE
15	2	09320-08029	CUSHION
16	2	09321-10018	CUSHION, MUFFLER

FIG.29A

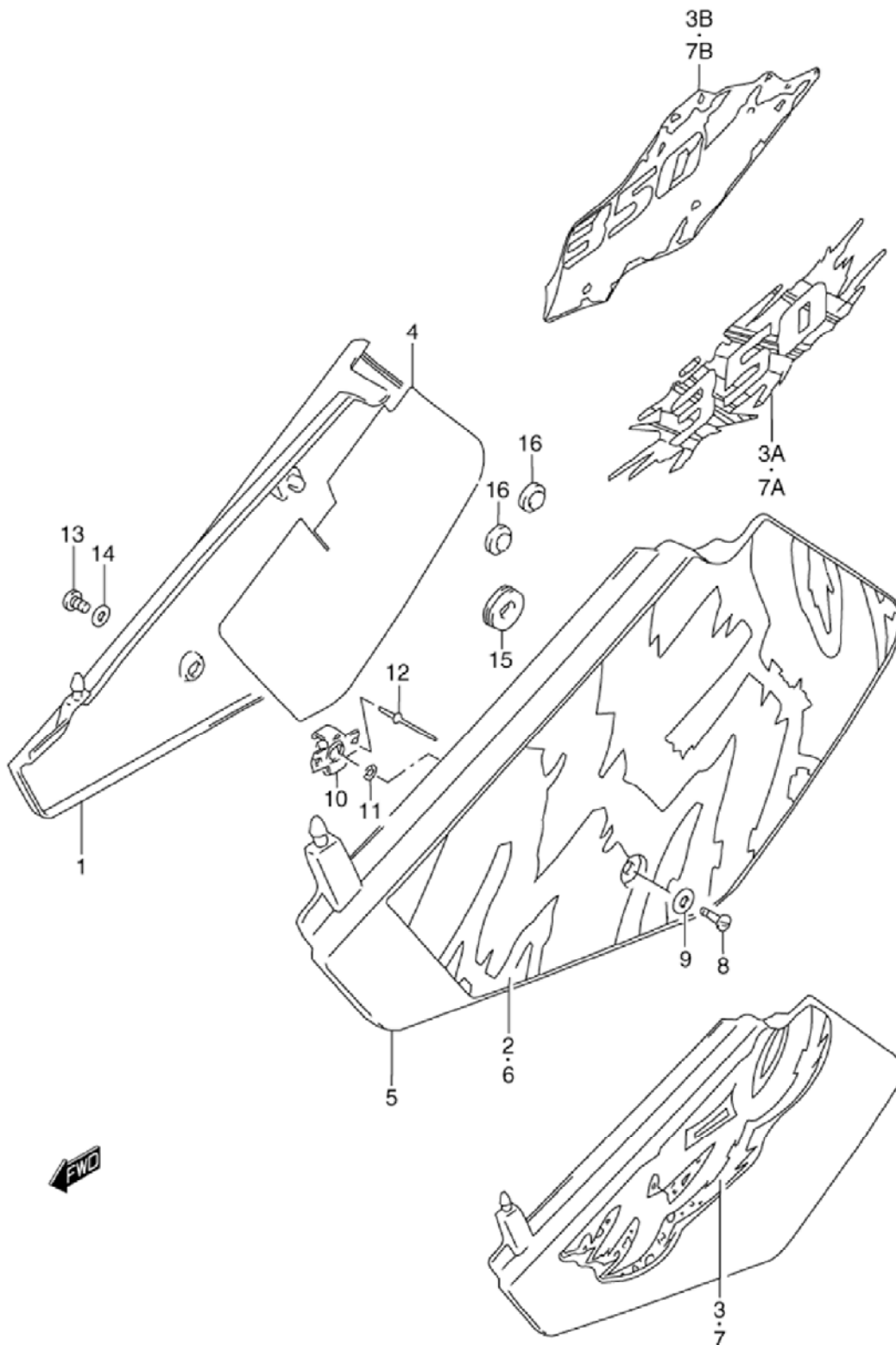


Table 29A. FRAME COVER (MODEL N/P/R/S)

Reference Number	Quantity Required	Part Number	Description
1	1	47111-14D00-30H	COVER, FRAME RH (WHITE)
2	1	68135-14D70-M81	TAPE, FRAME COVER RH
3	1	68131-14E00-A8A	EMBLEM, RH
3B	1	68135-14E10-D1P	EMBLEM, RH
4	1	47166-14D00	SHIELD, FRAME COVER RH
5	1	47211-14D00-30H	COVER, FRAME LH (WHITE)
6	1	68145-14D70-M81	TAPE, FRAME COVER LH
7	1	68141-14E00-A8A	EMBLEM, LH
7B	1	68145-14E10-D1P	EMBLEM, LH
8	1	94472-14D10	STUD, FRAME COVER LH
9	1	09160-07014	WASHER
10	1	94473-14D00	RETAINER, LH
11	1	94474-12C00	PLATE, FITTING LH
12	1	09229-03011	RIVET
13-1	1	09139-06050	SCREW (6X20)
13-2	1	09139-06050	SCREW (6X20)
13-3	1	02142-06167	SCREW
14	1	09169-06041	WASHER, GUIDE RR BRAKE HOSE
15	2	09320-08029	CUSHION
16	2	09321-10018	CUSHION, MUFFLER

FIG.29B

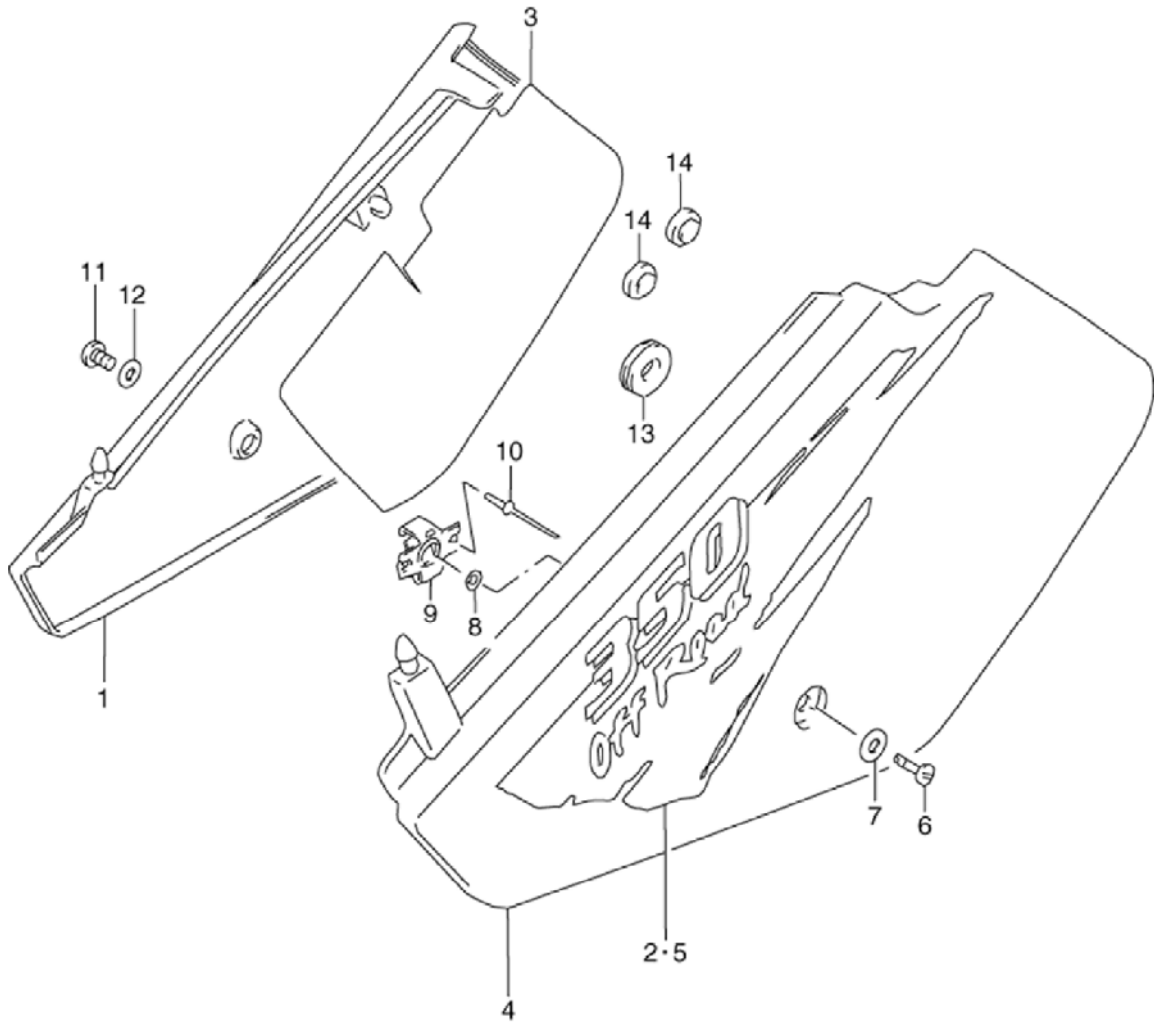


Table 29B. FRAME COVER (MODEL T)

Reference Number	Quantity Required	Part Number	Description
1	1	47111-14D00-30H	COVER, FRAME RH (WHITE)
2	1	68135-14E20-Z65	EMBLEM, RH
3	1	47166-14D00	SHIELD, FRAME COVER RH
4	1	47211-14D00-30H	COVER, FRAME LH (WHITE)
5	1	68145-14E20-Z65	EMBLEM, LH
6	1	94472-14D10	STUD, FRAME COVER LH
7	1	09160-07014	WASHER
8	1	94473-14D00	RETAINER, LH
9	1	94474-12C00	PLATE, FITTING LH
10	1	09229-03011	RIVET
11	1	02142-06167	SCREW
12	1	09169-06041	WASHER, GUIDE RR BRAKE HOSE
13	2	09320-08029	CUSHION
14	2	09321-10018	CUSHION, MUFFLER

FIG.30

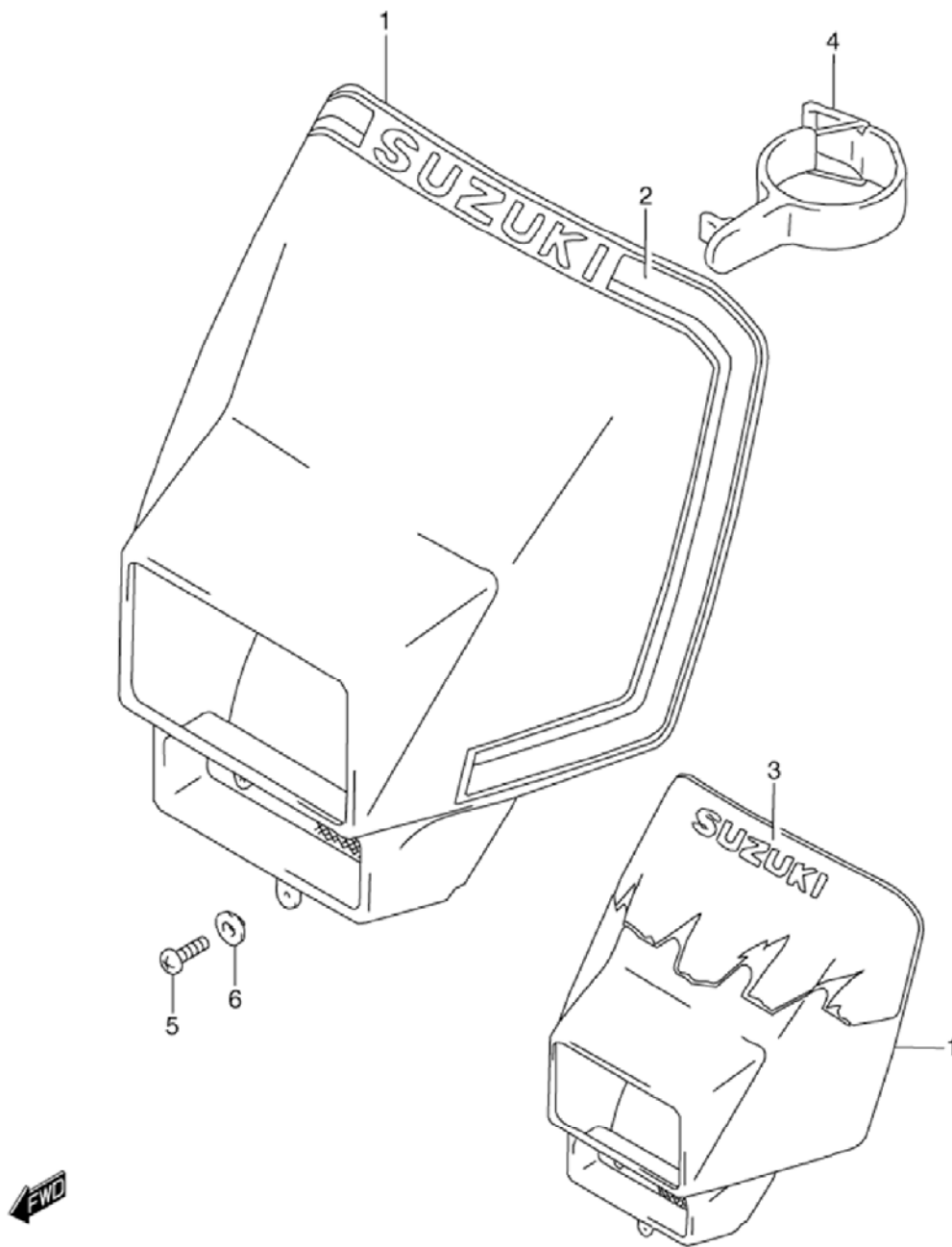


Table 30. HEADLAMP COVER (MODEL L/M)

Reference Number	Quantity Required	Part Number	Description
1	1	51810-03D00-30H	COVER COMP, HEAD
3	1	68725-14D20-0WC	TAPE SET, COVER
4	1	51850-14D00	BAND, COVER
5	1	09136-05048	SCREW, LOWER
6	1	09169-05012	WASHER

FIG.30A

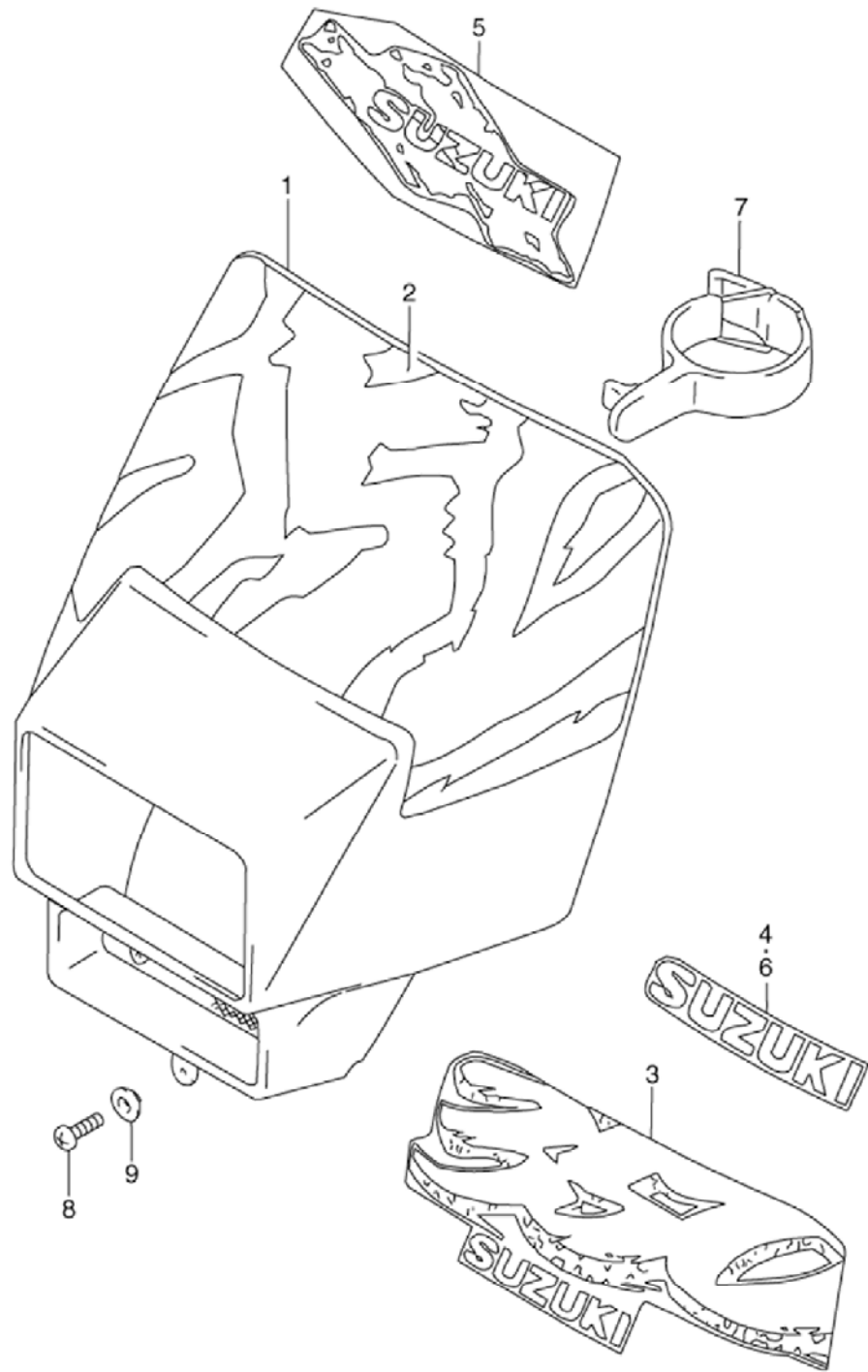


Table 30A. HEADLAMP COVER (MODEL N/P/R/S/T)

Reference Number	Quantity Required	Part Number	Description
1	1	51810-03D00-30H	COVER COMP, HEAD
5	1	68725-14E00-D1P	TAPE, COVER
6	1	68171-44B00-E9G	EMBLEM
7	1	51850-14D00	BAND, COVER
8	1	09136-05048	SCREW, LOWER
9	1	09169-05012	WASHER

FIG.31

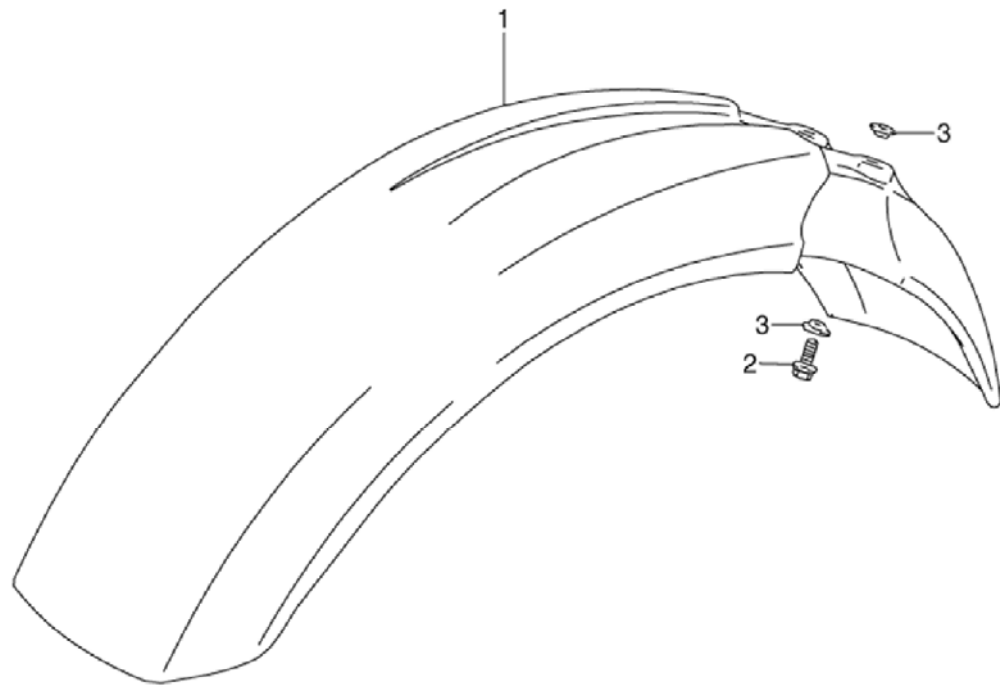


Table 31. FRONT FENDER

Reference Number	Quantity Required	Part Number	Description
1-1	1	53111-14D11-30H	FENDER, FRONT (WHITE)
1-2	1	53111-14D11-30H	FENDER, FRONT (WHITE)
2-1	4	01550-06167	.BOLT, REMOCON CABLE HOLDER
2-2	4	01550-0616A	BOLT
3	8	09169-06053	WASHER, CA HOLDER (6.3X16X1)

FIG.32

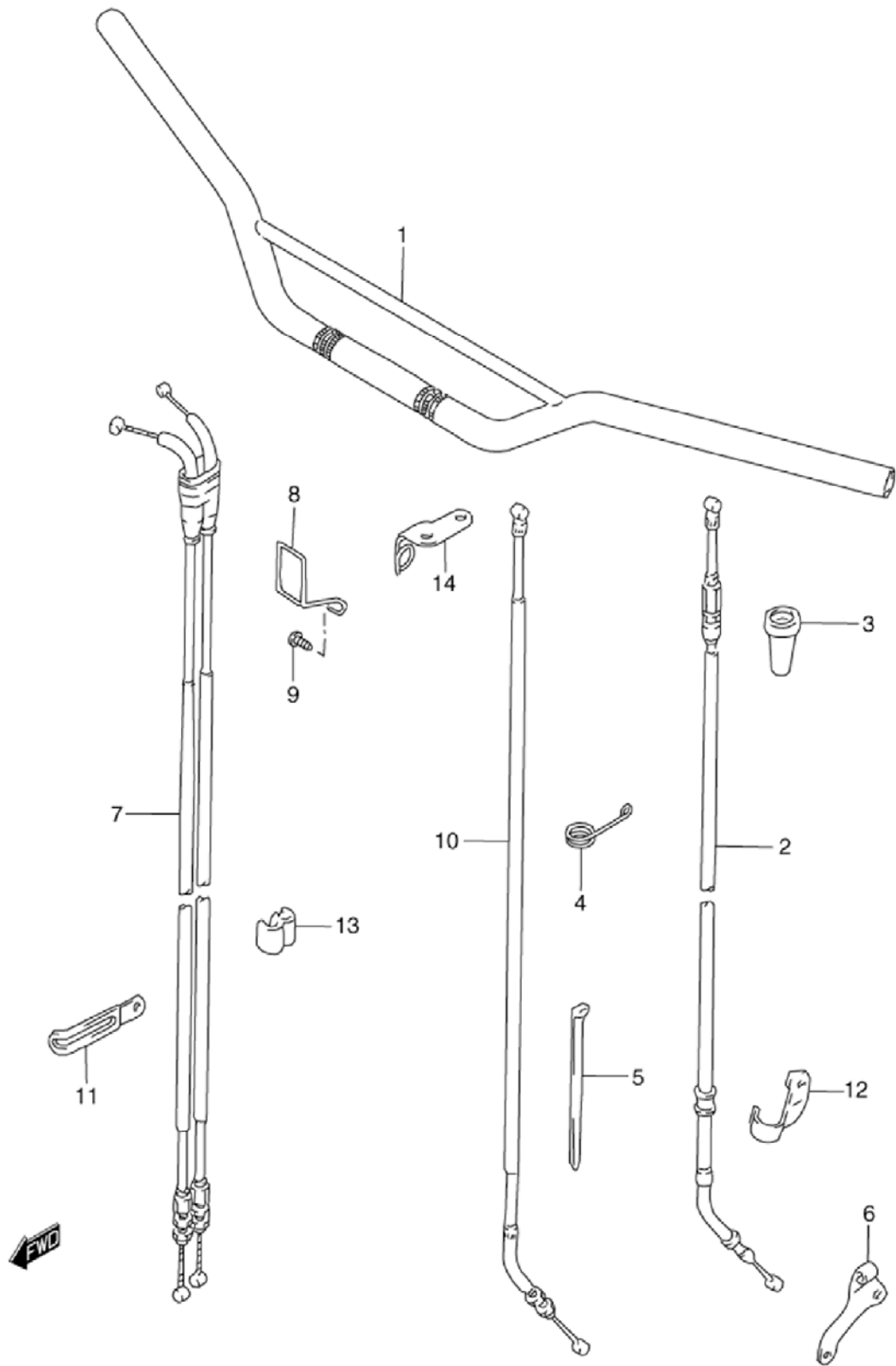


Table 32. HANDLEBAR

Reference Number	Quantity Required	Part Number	Description
1-1	1	56110-14D01-291	HANDLEBAR (BLACK)
1-2	1	56110-14D01-291	HANDLEBAR (BLACK)
2	1	58200-14D01	CABLE ASSY, CLUTCH
3	1	58273-31000	BOOT, CLUTCH CABLE
4	1	58294-15D00	GUIDE, CLUTCH CABLE
5	1	09407-14407	.CLAMP, HARNESS (L:140)
6	1	58634-14D00	STOPPER, CLUTCH CABLE
7-1	1	58301-14D02	CABLE ASSY, THROTTLE
7-2	1	58301-14D02	CABLE ASSY, THROTTLE
9-1	1	02112-16123	SCREW
9-2	1	02142-0612A	SCREW
9-3	1	01550-0610A	BOLT
10	1	58900-14D10	CABLE ASSY, DECOMP
11-1	1	09404-06432	.CLAMP, SW LEADS
11-2	1	09404-06432	.CLAMP, SW LEADS
12	1	58285-14D01	CLAMP, CLUTCH CABLE
13	1	09408-00066	CLIP
14	1	58620-15D10	GUIDE, CLUTCH CABLE

FIG.33

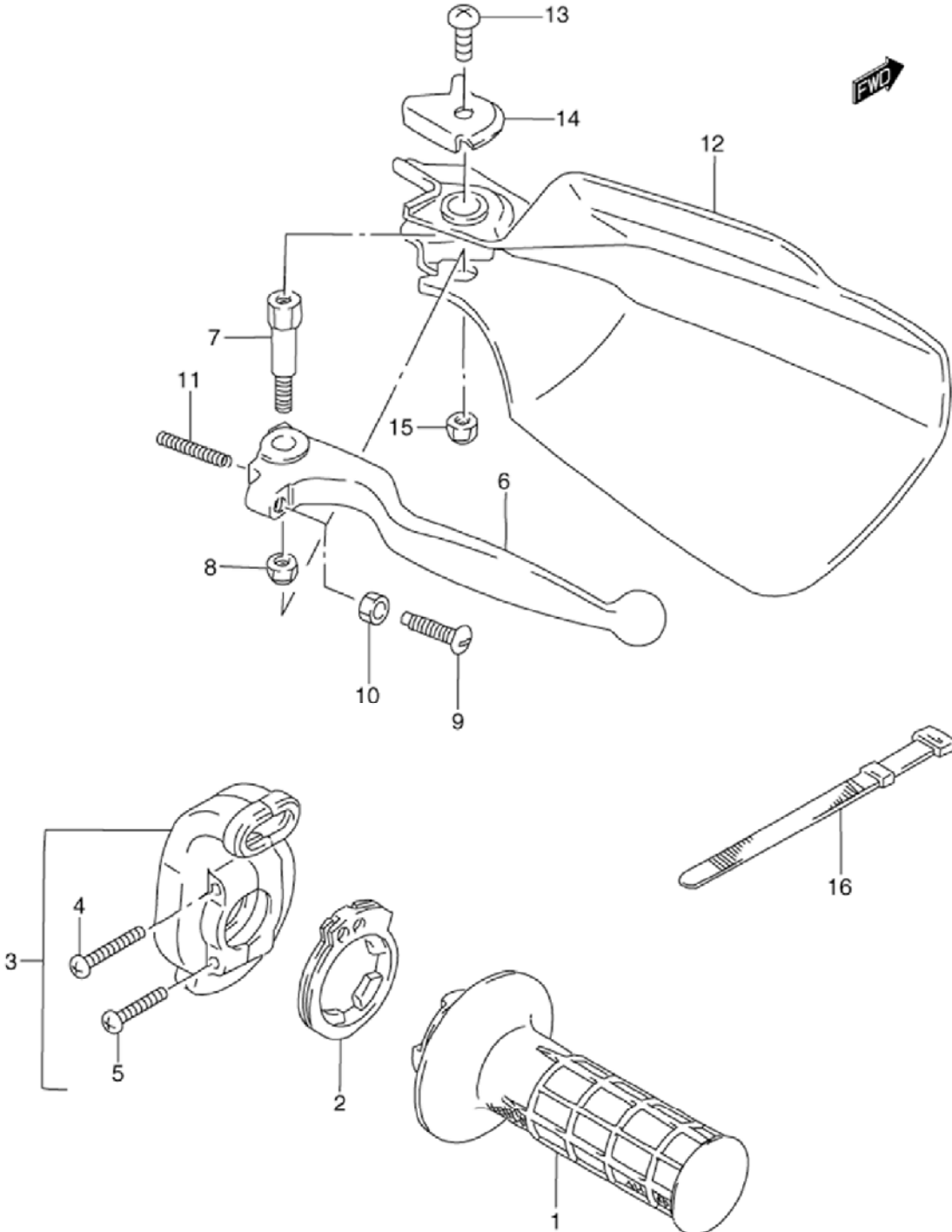


Table 33. RIGHT KNUCKLE COVER

Reference Number	Quantity Required	Part Number	Description
1	1	57110-27C00	GRIP, THROTTLE
2	1	57114-14D01	ROTOR, THROTTLE
3	1	57100-14D00	CASE ASSY, THROTTLE
4	1	09125-05066	.SCREW
5	1	02112-0520B	SCREW
6	1	57421-27C00	LEVER, BRAKE
7	1	57431-05D00	BOLT, BRAKE LEVER PIVOT
8	1	08319-21068	.NUT
9	1	57431-14511	BOLT
10	1	08310-0005A	NUT
11	1	57318-14502	SPRING
12	1	57341-05D00-25Y	COVER, KNUCKLE, RH (YELLOW)
13-1	1	09125-05042	.SCREW (5X10)
13-2	1	02142-05107	SCREW, SHIFT PLATE
14	1	57355-14D00	PLATE, UPPER
15	1	08319-21068	.NUT
16	1	09407-12402	CLAMP

FIG.34

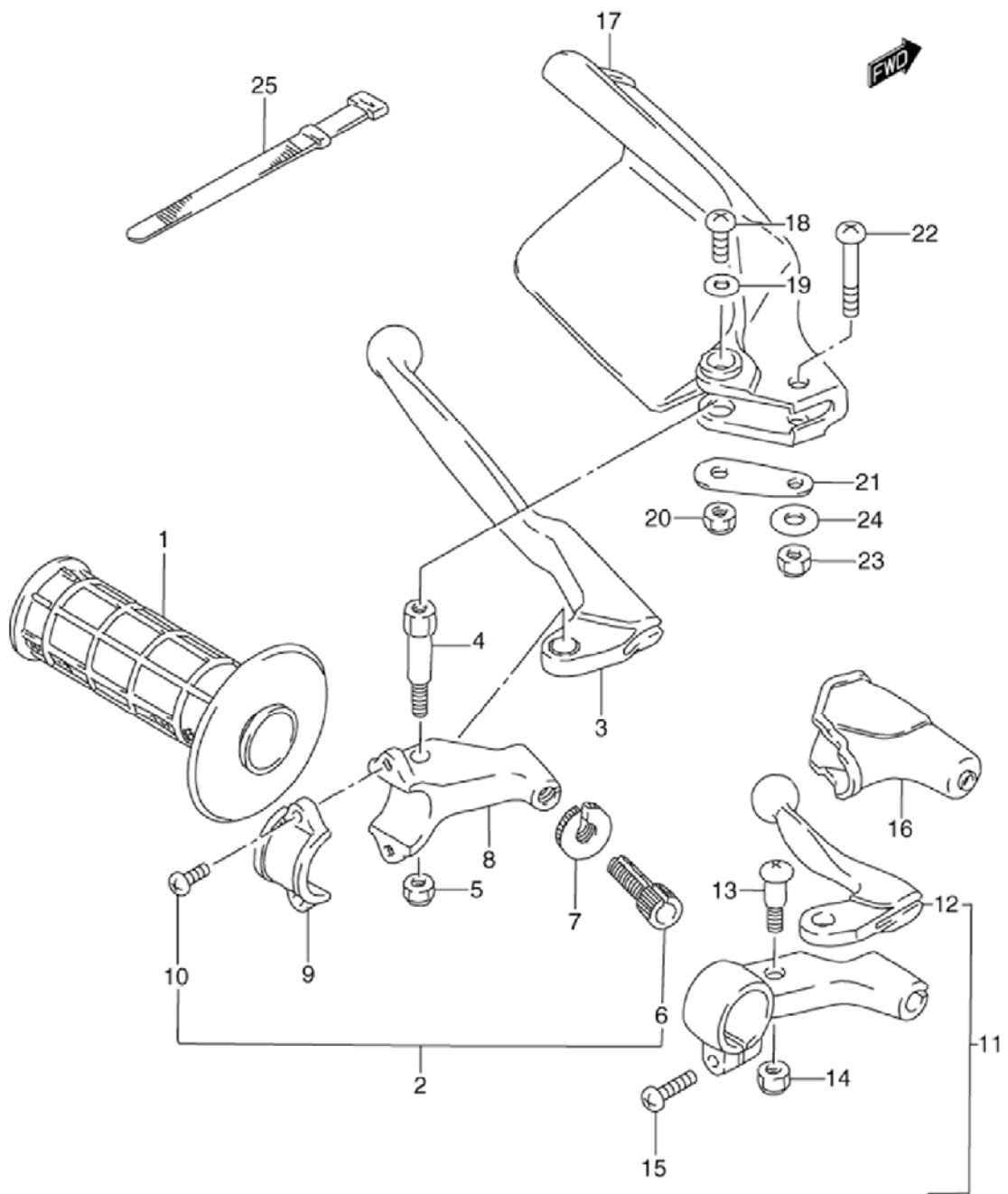


Table 34. LEFT KNUCKLE COVER

Reference Number	Quantity Required	Part Number	Description
1	1	57211-27C00	GRIP, LH
2	1	57500-14D00	LEVER ASSY, CLUTCH
3	1	57620-14300	.LEVER, CLUTCH
4	1	57631-05D00	.BOLT
5	1	08319-21068	.NUT
6	1	57441-11010	.ADJUSTER, CABLE
7	1	57442-05D00	.NUT
8	1	57511-14300	.HOLDER
9	1	57512-14300	.BRACKET
10	2	09125-05102	.SCREW
11	1	58700-38200	LEVER ASSY, DECOMP
12	1	58731-38200	.LEVER
13	1	57431-01012	.SCREW
14	1	57633-38200	.NUT
15	1	02112-0620A	SCREW
16	1	57342-37101	COVER, DECOMP LEVER
17-1	1	57541-05D01-25Y	COVER, KNUCKLE, LH (YELLOW) (MODEL L/M/N/P->57541-05D01-25Y)
17-2	1	57541-05D01-25Y	COVER, KNUCKLE, LH (YELLOW)
18-1	1	09125-05042	.SCREW (5X10)
18-2	1	02142-05107	SCREW, SHIFT PLATE
19	1	09160-05043	.WASHER, 5.5X16X1.20
20	1	08319-21068	.NUT
21	1	57542-05D00	PLATE, KNUCKLE COVER LH
22-1	1	02142-06357	SCREW
22-2	1	09125-06091	SCREW (6X35)
23	1	08319-21068	.NUT
24	1	09160-06130	.WASHER
25	1	09407-12402	CLAMP

FIG.35

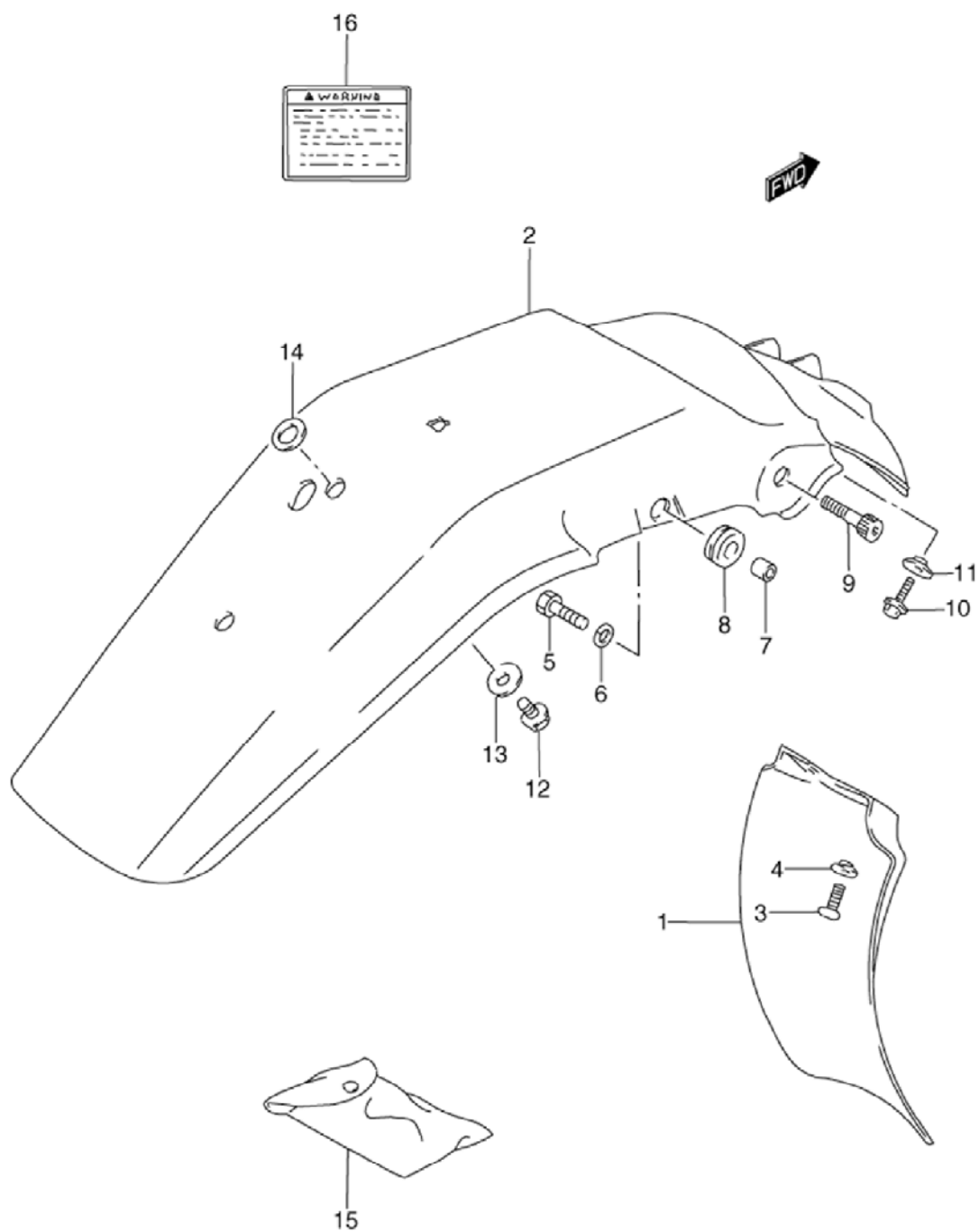


Table 35. REAR FENDER - LABEL (MODEL L/M/N/P)

Reference Number	Quantity Required	Part Number	Description
1	1	63112-14D00	BODY, REAR FENDER FRONT
2-1	1	63113-14D03-30H	BODY,RR FENDER, (MODEL L->63113-14D01-30HW/01147-0816809160-0800409160-14032
2-2	1	63113-14D03-30H	BODY,RR FENDER,
2-3	1	63113-14D03-30H	BODY,RR FENDER, (MODEL N/P->63113-14D03-30H)
3	2	02142-0612A	SCREW
4	2	09169-06055	WASHER
5	2	01500-08257	.BOLT
6	2	08321-01087	.WASHER
7	2	09180-08187	SPACER
8-1	2	09320-12011	CUSHION (MODEL L/M/N->09320-12011)
8-2	2	09320-12011	CUSHION
9	2	09106-08105	BOLT, SPACER
10	1	01550-06167	.BOLT, REMOCON CABLE HOLDER
11	1	09169-06038	WASHER
12-2	1	01570-08167	BOLT
13-1	1	09160-06134	WASHER, HOLDER
13-2	1	09160-08134	WASHER, MUFFLER SUPPORT FRONT
14-1	1	09160-12088	WASHER
14-2	1	09160-14032	WASHER
15	1	09800-21024	TOOL ASSY
16	1	68319-33E01	LABEL, WARNING

FIG.35A

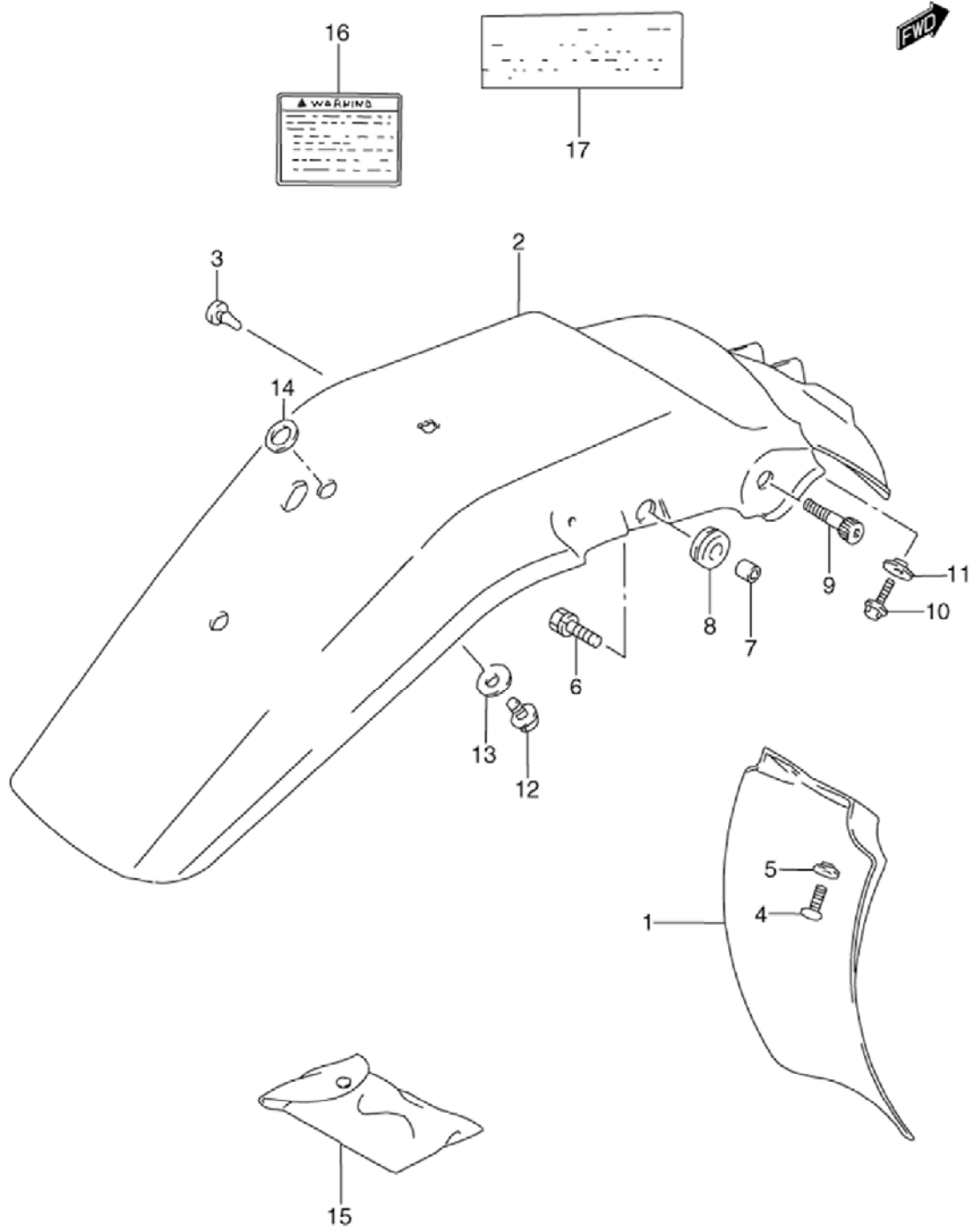


Table 35A. REAR FENDER - LABEL (MODEL R/S/T)

Reference Number	Quantity Required	Part Number	Description
1	1	63112-14D00	BODY, REAR FENDER FRONT
2	1	63113-14D50-30H	BODY, REAR FENDER REAR (WHITE
3	2	63159-14D00	CUSHION, FENDER SIDE
4	2	02142-0612A	SCREW
5	2	09169-06055	WASHER
6	2	01570-0825A	BOLT
7	2	09180-08187	SPACER
8	2	09320-12011	CUSHION
9	2	09106-08105	BOLT, SPACER
10	1	01550-0616A	BOLT
11	1	09169-06038	WASHER
12	1	01570-0816A	BOLT,LIFTER LEV
13	1	09160-08134	WASHER, MUFFLER SUPPORT FRONT
14	1	09160-14032	WASHER
15	1	09800-21034	TOOL ASSY
16-1	1	68319-33E01	LABEL, WARNING
16-2	1	68319-33E01	LABEL, WARNING
17	1	68353-26E02	LABEL, MANUAL NOTICE

FIG.36

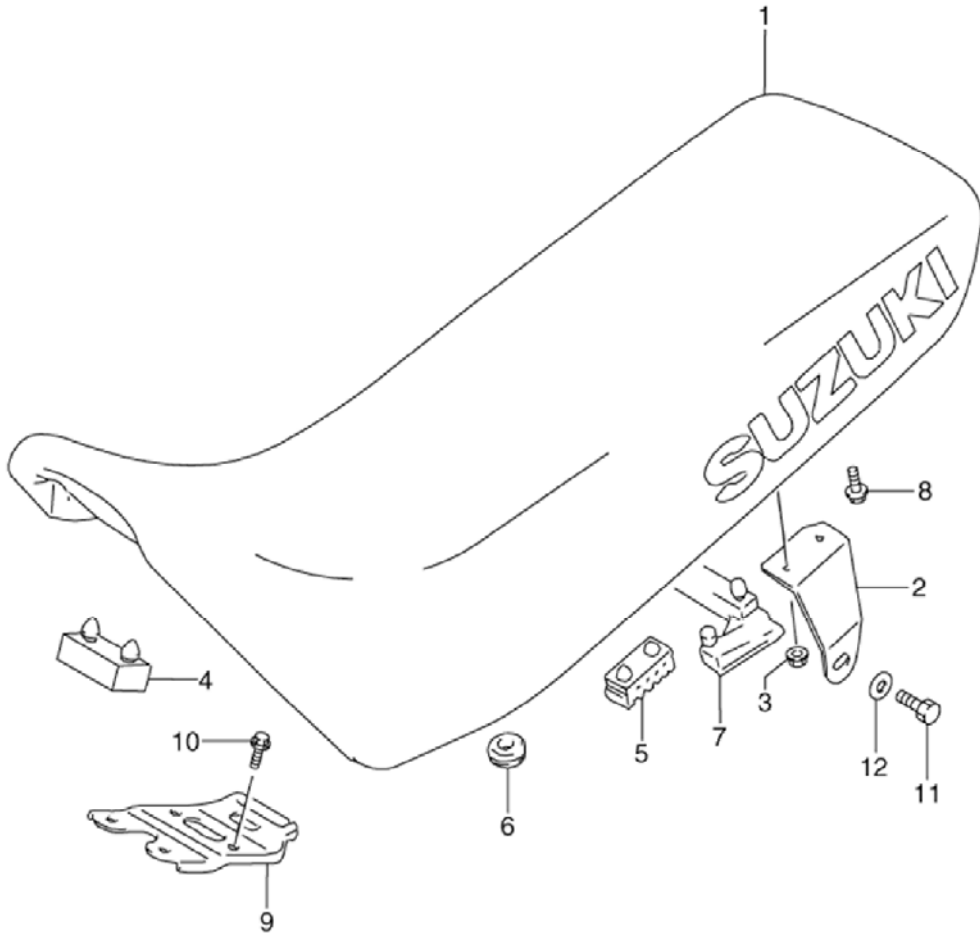


Table 36. SEAT

Reference Number	Quantity Required	Part Number	Description
1-1	1	45100-15D00-G56	SEAT SET
1-2	1	45100-14D00-G56	SEAT ASSY (YELLOW/BLUE)
1-3	1	45100-14D00-G56	SEAT ASSY (YELLOW/BLUE)
1-4	1	45100-14D00-G56	SEAT ASSY (YELLOW/BLUE)
2-1	1	45116-14D00	.BRACKET, RH
2-2	1	45117-14D00	.BRACKET, LH
3-1	4	08316-1006B	NUT
3-2	4	08316-1006B	NUT
4-1	1	09321-08006	.CUSHION (MODEL LMODEL M/N/P/R/S/T)
5	4	45149-31300	.CUSHION, CENTER (40X20X15)
6	2	09320-08013	CUSHION
7	1	45255-14D00	.CUSHION, SEAT
8-1	2	01550-06107	BOLT
8-2	2	01550-0610A	BOLT
9	1	45120-14D00	PLATE, SEAT SUPPORT FRONT
10-1	2	01550-0812A	PLUG, OIL GALLERY
10-2	2	01550-0812A	PLUG, OIL GALLERY
11-1	2	01500-0812A	BOLT
11-2	2	01550-0812A	PLUG, OIL GALLERY
12	2	08322-0108A	WASHER, SEAT DAMPER UPPER

FIG.37

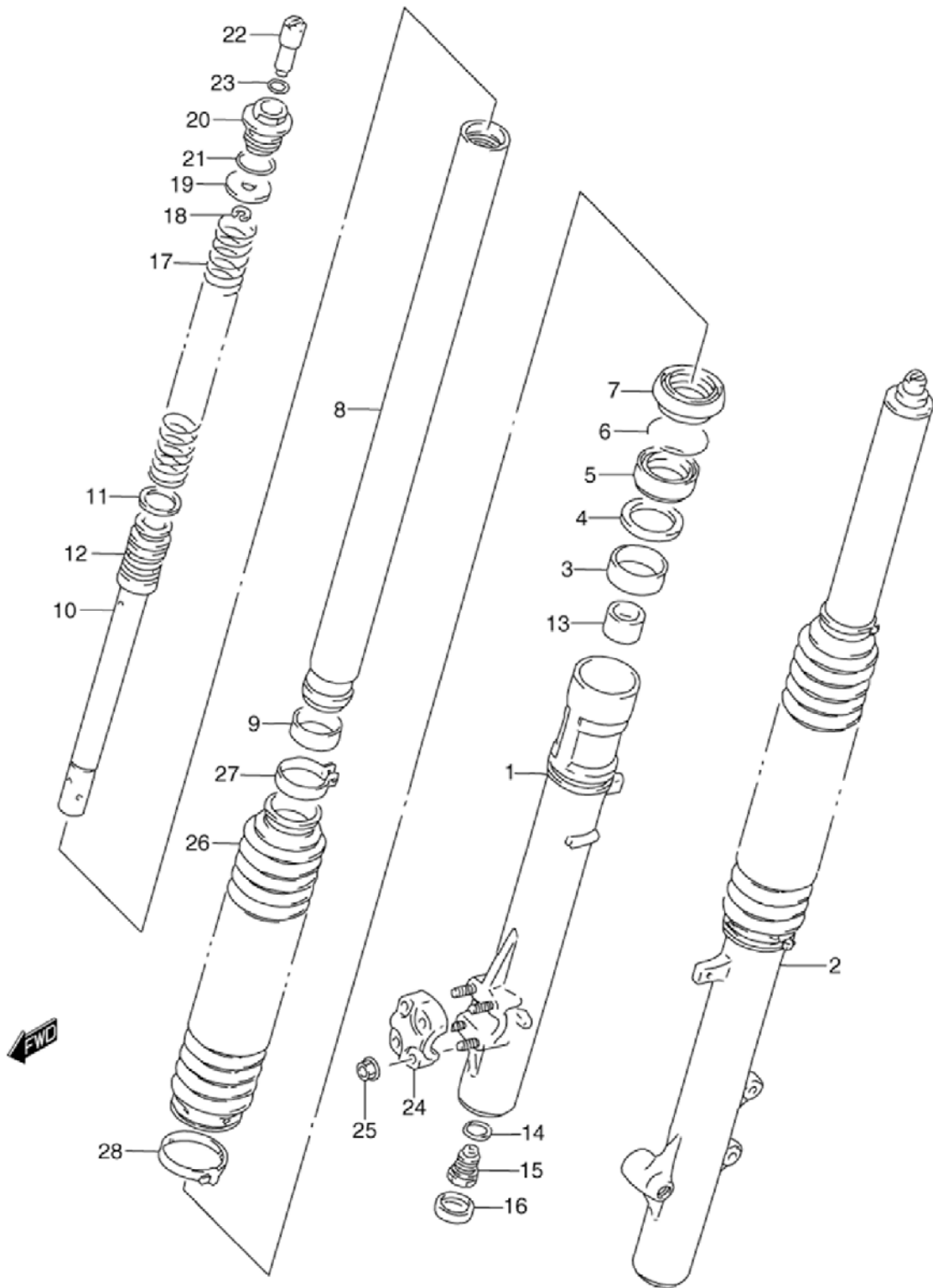


Table 37. FRONT DAMPER (MODEL L/M/N/P)

Reference Number	Quantity Required	Part Number	Description
1	1	51130-14D00	.TUBE, OUTER RH
2	1	51140-14D00	.TUBE, OUTER LH
3-1	2	51152-07D00	.BUSH, GUIDE
3-2	2	51152-07D00	.BUSH, GUIDE
4	2	51168-17C00	.SPACER, SEAL
5	2	51153-14D00	.SEAL, OIL
6	2	51556-38B00	.RING, STOPPER
7	2	51173-14D00	.SEAL, DUST
8	2	51110-14D00	.TUBE, INNER
9	2	51121-14D00	.BUSH, SLIDE
10	2	51190-14D00	.CYLINDER
11	2	51196-14D00	.RING, PISTON
13	2	51195-14D00	.PIECE, OIL LOCK
14	2	51148-14D00	.GASKET
15	2	51170-14D00	.BOLT, PIECE
16	2	51512-14D00	.CAP
17	2	51171-14D00	.SPRING, MAIN
18	2	51788-11420	.E RING
19	2	51186-12C00	.SEAT, SPRING
20	2	51189-14D00	.BOLT, FORK
21	2	51117-17C00	.O RING
22	2	51185-14D00	.ADJUSTER, SPRING
23	2	09280-14011	O RING (D:2.5, ID:13.8)
24	1	51132-14D00	.HOLDER, AXLE RH
25	4	51168-14D00	.NUT, AXLE HOLDER
26	2	51571-14D00-163	BOOT (YELLOW)
27	2	51575-14D00	BAND, BOOT UPPER
28	2	51576-14D00	BAND, BOOT LOWER

FIG.37A

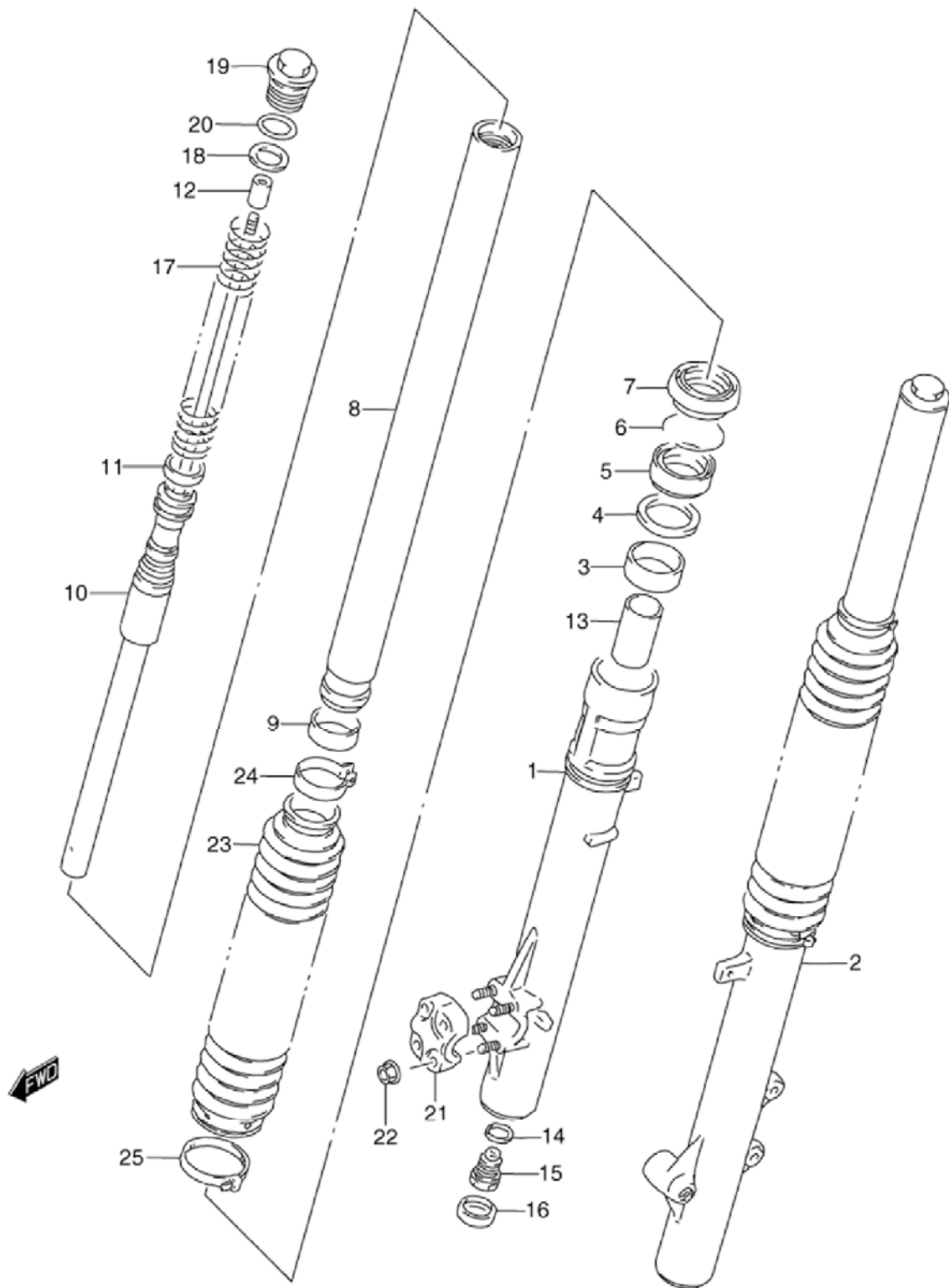


Table 37A. FRONT DAMPER (MODEL R/S/T)

Reference Number	Quantity Required	Part Number	Description
1	1	51130-14E30	.TUBE, OUTER RH
2	1	51141-14E30	.TUBE, OUTER LH
3	2	51152-07D00	.BUSH, GUIDE
4	2	51168-17C00	.SPACER, SEAL
5	2	51153-14D00	.SEAL, OIL
6	2	51556-38B00	.RING, STOPPER
7	2	51173-14D00	.SEAL, DUST
8	2	51110-14E30	.TUBE, INNER
9	2	51121-14D00	.BUSH, SLIDE
11	2	51197-14E30	.BUSH, SLIDE
12	2	51129-14E30	..NUT, ROD
13	2	51195-14E30	.PIECE, OIL LOCK
14	2	51148-08D00	.GASKET
15	2	51170-08D00	.BOLT, CENTER
16	2	51189-08D00	.CAP
17	2	51171-14E30	.SPRING, MAIN
18	2	51186-17C00	.SEAT, SPRING LOWER
19	2	51351-14E30	.BOLT, FORK
20	2	51117-17C00	.O RING
21	1	51132-14D00	.HOLDER, AXLE RH
22	4	51168-14D00	.NUT, AXLE HOLDER
23	2	51571-14D00-163	BOOT (YELLOW)
24	2	51575-14D00	BAND, BOOT UPPER
25	2	51576-14D00	BAND, BOOT LOWER

FIG.38

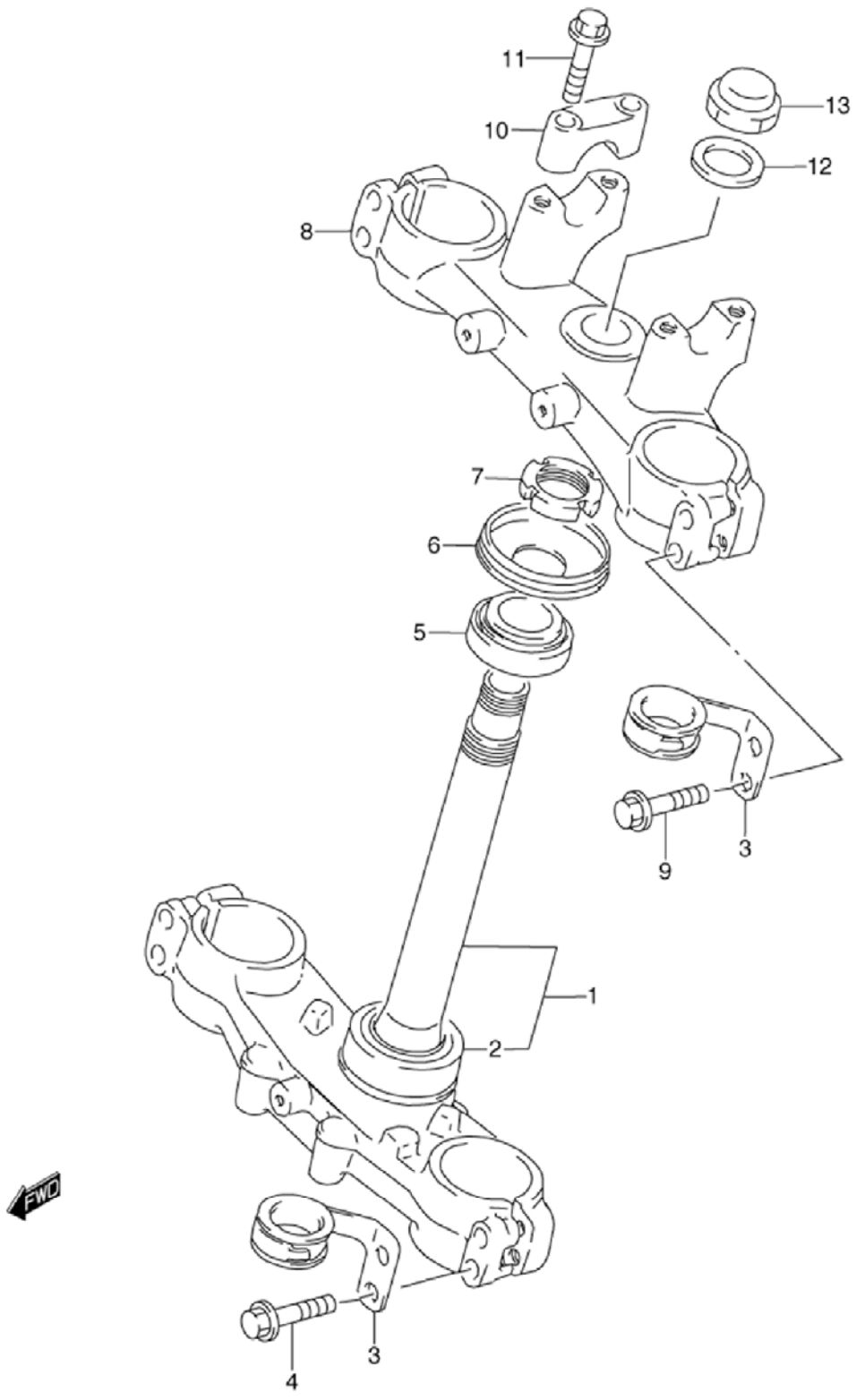


Table 38. STEERING STEM

Reference Number	Quantity Required	Part Number	Description
1-1	1	51410-14D10	STEM, STEERING
1-2	1	51410-14D10	STEM, STEERING
2	1	09265-30009	BEARING (30X55X17)
3	2	51453-03D00	GUIDE, CABLE LH
4-1	4	01550-08407	BOLT
4-2	4	01550-08407	BOLT
5	1	09265-25019	BEARING (25X47X15)
6	1	51643-40200	DUST SEAL
7	1	51631-40200	NUT, STEM
8	1	51311-14D00	HEAD, STEERING STEM
9-1	4	01550-08407	BOLT
9-2	4	01550-0840A	BOLT
10	2	56211-27200-291	HOLDER, HANDLE UPPER (BLACK)
11-1	4	01550-0835A	BOLT
11-2	4	01550-0835A	BOLT
12	1	51354-14D00	WASHER
13-1	1	51353-14D00	NUT
13-2	1	51353-24B00	NUT

FIG.39

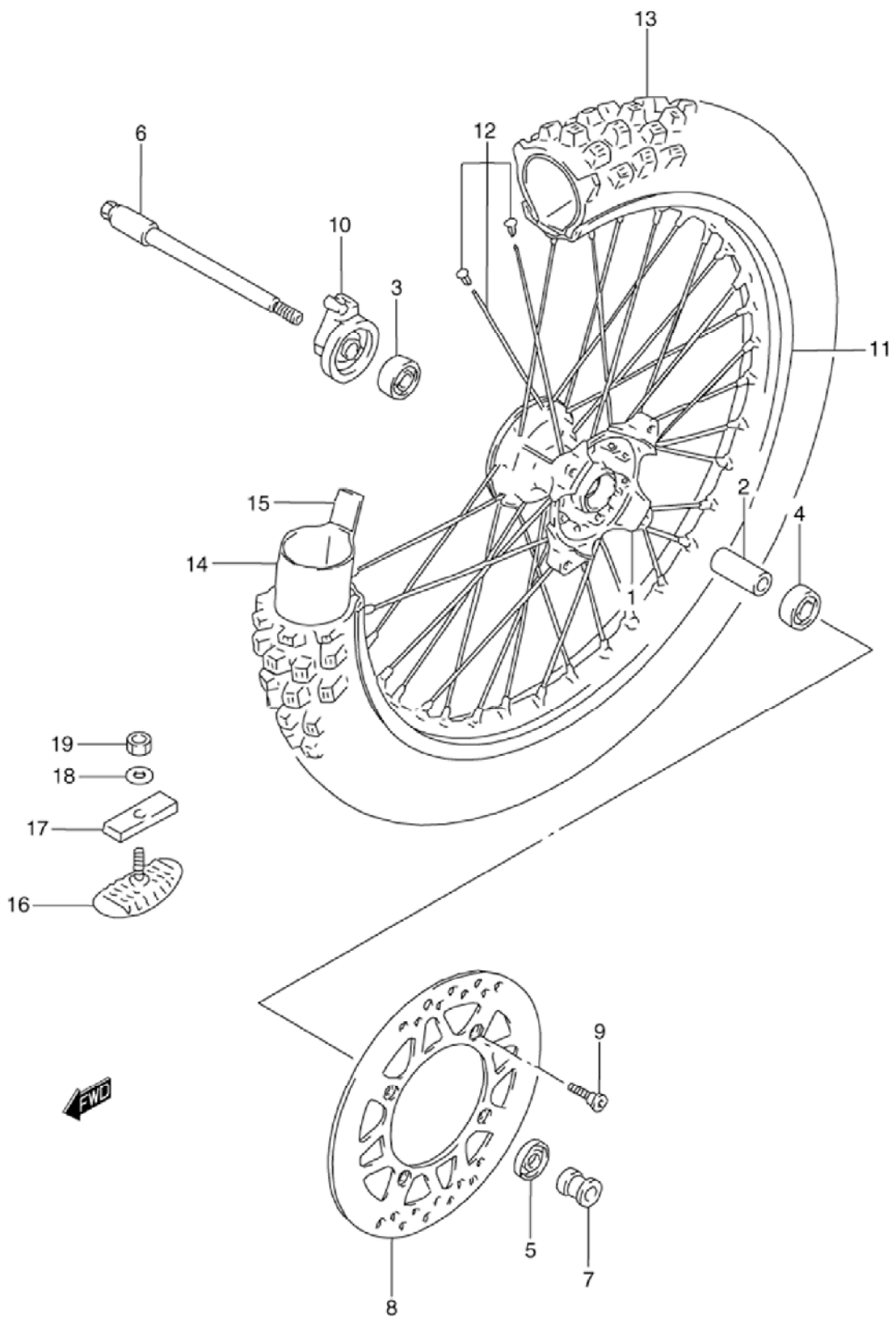


Table 39. FRONT WHEEL

Reference Number	Quantity Required	Part Number	Description
1	1	54111-15D00	HUB, FRONT WHEEL
2	1	54731-44B00	SPACER, HUB BEARING
3	1	08113-62027	BEARING, RH
4	1	08123-62027	BEARING, FRONT WHEEL
5	1	09284-22004	SEAL, FRONT WHEEL DUST
6	1	54711-14D00	AXLE, FRONT
7	1	54751-14D00	SPACER, AXLE LH
8	1	59221-14D00	DISC, FRONT BRAKE
9-1	4	09106-08155	BOLT, DISC
9-2	4	09106-08155	BOLT, DISC
10	1	54600-14D00	BOX ASSY, SPEEDOMETER GEAR
11	1	55311-28C01	RIM, FRONT WHEEL (1.60X21)
12	1	55320-14D00	SPOKE ASSY, FRONT WHEEL
13	1	55110-14D00	TIRE, FRONT (80/100-21)
14	1	55200-16510	TUBE ASSY, WHEEL INNER
15	1	55261-14540	PROTECTOR, INNER TUBE
16	1	65270-14300	STOPPER, BEAD
17	1	65271-27C00	CUSHION, BEAD STOPPER
18-1	1	08322-01087	WASHER
18-2	1	08322-01087	WASHER
18-3	1	08322-0108A	WASHER, SEAT DAMPER UPPER
19-1	1	08310-00087	NUT
19-2	1	08310-00087	NUT
19-3	1	08310-0008A	NUT

FIG.40

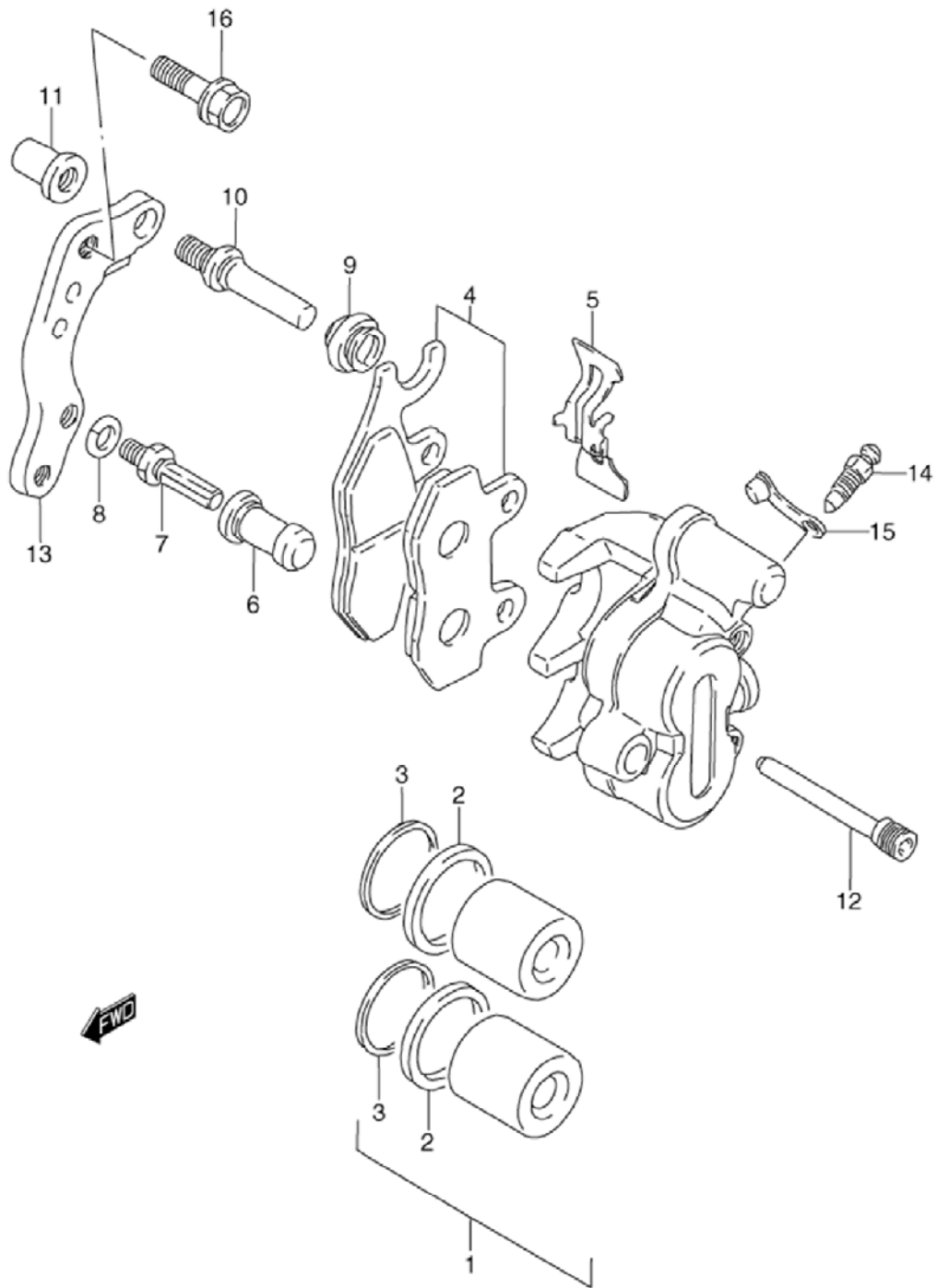


Table 40. FRONT CALIPER (MODEL L/M)

Reference Number	Quantity Required	Part Number	Description
	1	59300-08D00-999	CALIPER ASSY,FR
1	1	59300-26840	.PISTON SET
2	2	69100-36810	..SEAL SET, PISTON
4	1	59300-08810	.PAD SET
5	1	59315-00B20	.SPRING, PAD
6	1	59386-13A00	.BOOT
7	1	59382-13A00	.BOLT
8	1	59314-13A00	.WASHER
9	1	59303-14500	.BOOT
10	1	59387-00B20	.PIN
11	1	59388-00B20	.NUT
12	2	59345-00B20	.PIN
13	1	59351-00B20	.BRACKET, RH
14	1	59121-01A00	.BLEEDER
15	1	59122-01A00	.CAP, BLEEDER
16	2	09103-08226	BOLT (8X24)

FIG.40A

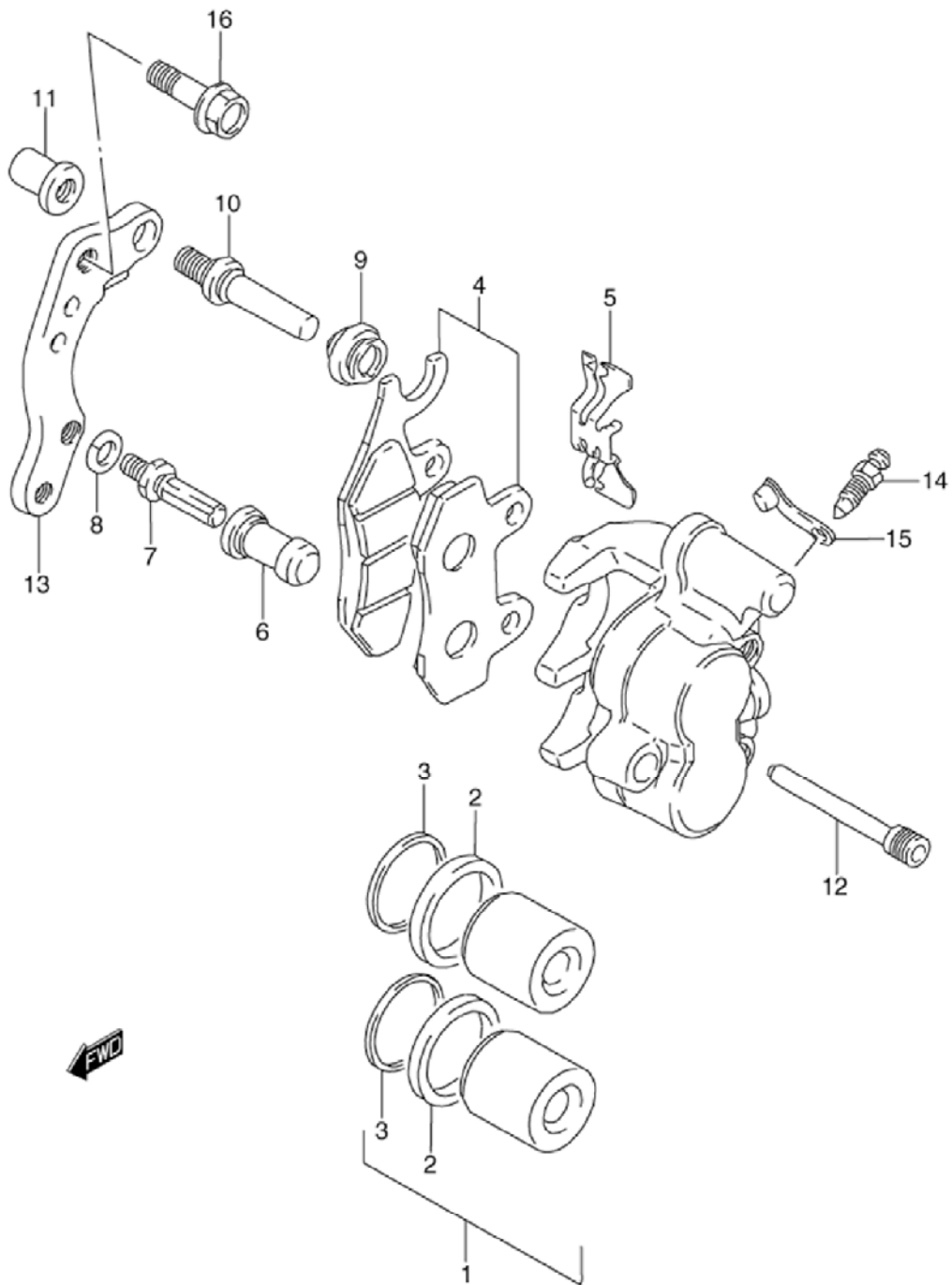


Table 40A. FRONT CALIPER (MODEL N/P/R/S/T)

Reference Number	Quantity Required	Part Number	Description
	1	59300-27C11-999	CALIPER ASSY,FR
	1	59300-27C11-999	CALIPER ASSY,FR
1	1	59300-27840	.PISTON SET
2	2	69100-36810	..SEAL SET, PISTON
4	1	59300-27850	.PAD SET
5-1	1	59315-27C30	.SPRING
5-2	1	59315-27C30	.SPRING
6	1	59386-13A00	.BOOT
7	1	59382-13A00	.BOLT
8	1	59314-13A00	.WASHER
9	1	59303-14500	.BOOT
10	1	59387-00B20	.PIN
11	1	59388-00B20	.NUT
12	2	59345-00B20	.PIN
13	1	59351-00B20	.BRACKET, RH
14	1	59121-01A00	.BLEEDER
15	1	59122-01A00	.CAP, BLEEDER
16	2	09103-08226	BOLT (8X24)

FIG.41

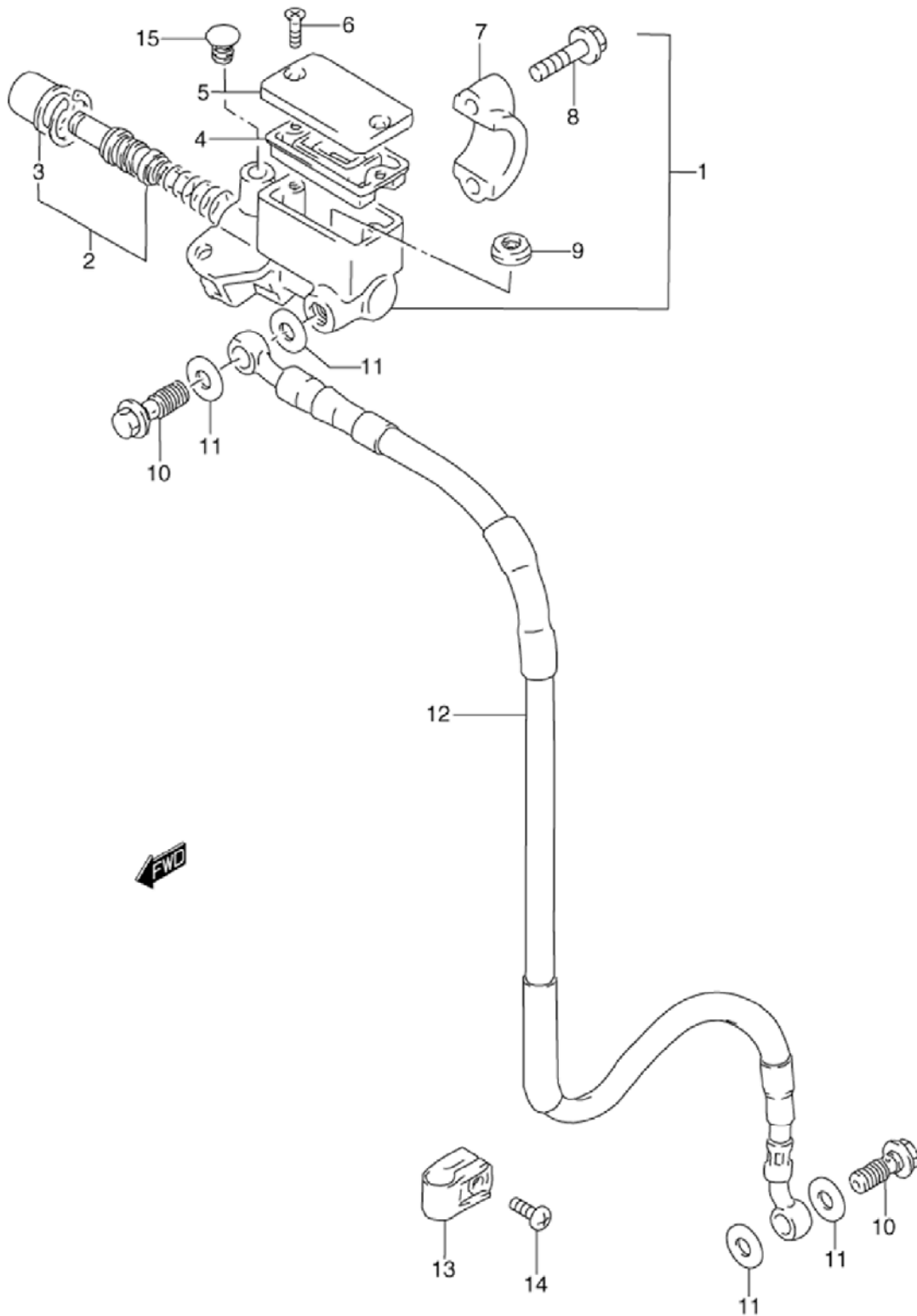


Table 41. FRONT MASTER CYLINDER

Reference Number	Quantity Required	Part Number	Description
1	1	59600-05D01	CYLINDER ASSY, FRONT MASTER
2	1	59600-27820	.PISTON & CUP SET
3	1	59666-44300	..BOOT
4	1	59667-44B00	.DIAPHRAGM
5	1	59669-05D00	.CAP
6	2	69689-49300	.SCREW
7	1	59671-27C00	.HOLDER (SILVER)
8	2	59675-27C00	.BOLT
9	1	59748-14500	.SEPARATOR
10-1	2	09360-10017	BOLT (10X1.00X24) (MODEL L/MMODEL N/P)
10-3	1	09360-10062	BOLT, FR MACTER CYLINDER
10-4	1	09360-10061	UNION
10-5	1	09360-10040	BOLT, CYLINDER HEAD HOSE UNIO
11	4	09161-10009	WASHER (10X15X1.5)
12	1	59480-14D01	HOSE, FRONT BRAKE
13	1	59243-14501	CLAMP, BRAKE HOSE
14-1	1	02112-1616A	SCREW
14-2	1	02142-0616A	SCREW
15	1	09250-09001	PLUG

FIG.42

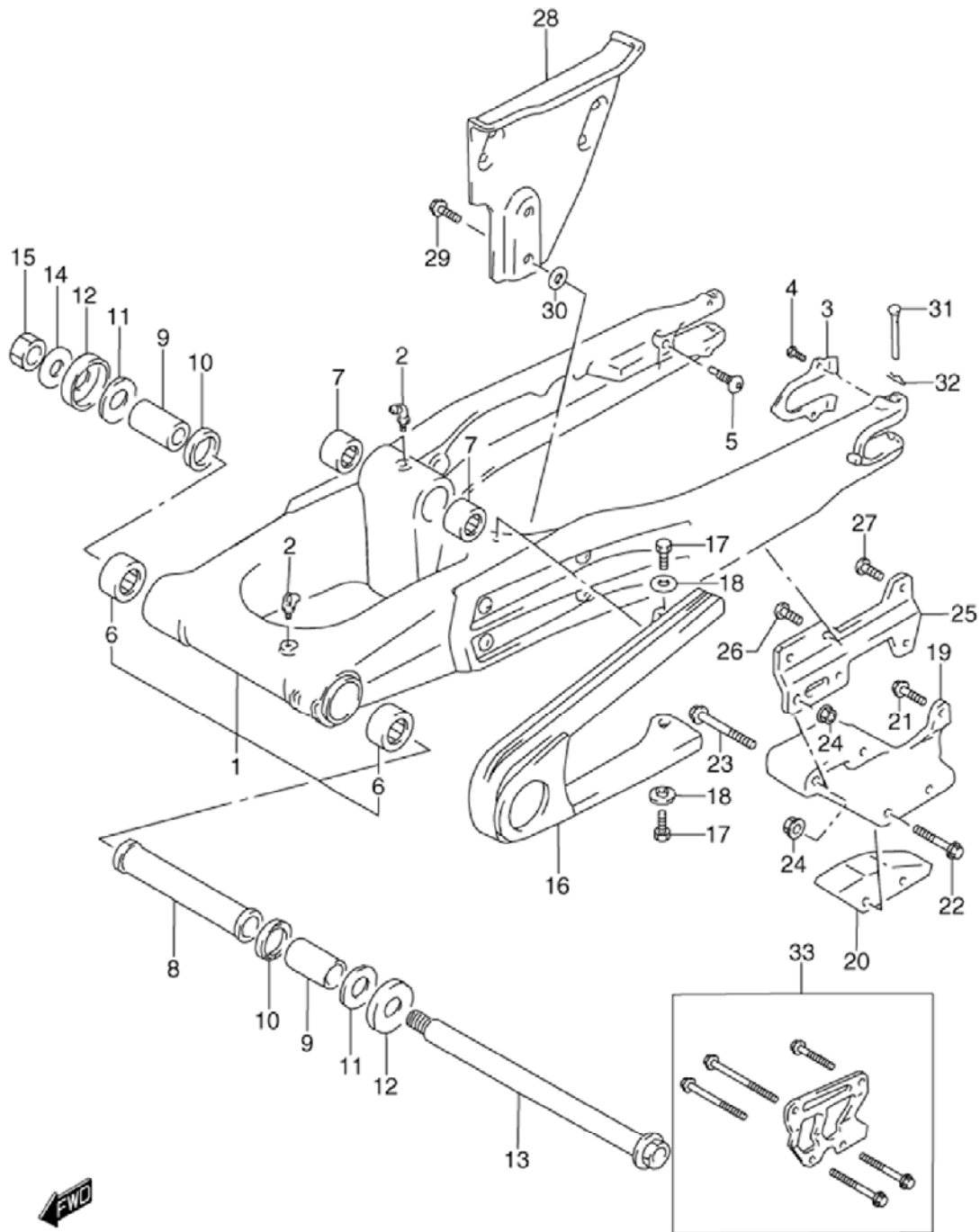


Table 42. REAR SWINGING ARM (MODEL L/M/N/P)

Reference Number	Quantity Required	Part Number	Description
1	1	61000-14D50	SWINGING ARM ASSY, REAR
2	2	08351-3100A	NIPPLE, GREASE
3	2	61128-14D00	.PLATE, REAR
4	4	09125-05072	SCREW
5	2	09139-10001	.SCREW (10X21)
6	2	09263-22017	.BEARING, PIVOT (22X29X30)
7	2	09263-20071	.BEARING, CENTER (20X27X23.5)
8	1	09180-17097	.SPACER, PIVOT CENTER
9	2	61251-14D00	SPACER, PIVOT BEARING
10	2	09285-22001	.SEAL, INNER (22X29X4)
11	2	08211-17341	THRUST WASHER
12	2	61262-28C10	COVER, PIVOT
13	1	61211-14D00	SHAFT, PIVOT
14	1	08322-01167	WASHER
15	1	09159-16007	NUT
16	1	61273-14D00	BUFFER, CHAIN TOUCH DEFENSE
17	2	01500-06167	BOLT, FUEL COOLER
18	2	09169-06057	WASHER
19	1	61341-27C00	GUIDE, CHAIN
20	1	61348-27C20	DEFENSE, CHAIN GUIDE
21	1	01550-06257	..BOLT
22	2	01550-06457	BOLT
23	2	01550-06557	.BOLT
24	5	08319-31067	.NUT, AXLE HOLDER
25	1	61154-14D00	BRACKET, CHAIN GUIDE
26-1	2	09139-06067	SCREW (6X16)
26-2	2	01550-06167	.BOLT, REMOCON CABLE HOLDER
27-1	1	09139-06062	BOLT, GUARD
27-2	1	01550-06127	BOLT
28	1	61310-14D10	GUARD, CHAIN
29	2	01550-0616A	BOLT
30	2	09160-06131	.WASHER
31	2	09200-06065	PIN, REAR AXLE
32	2	09385-06012	CLIP

FIG.42A

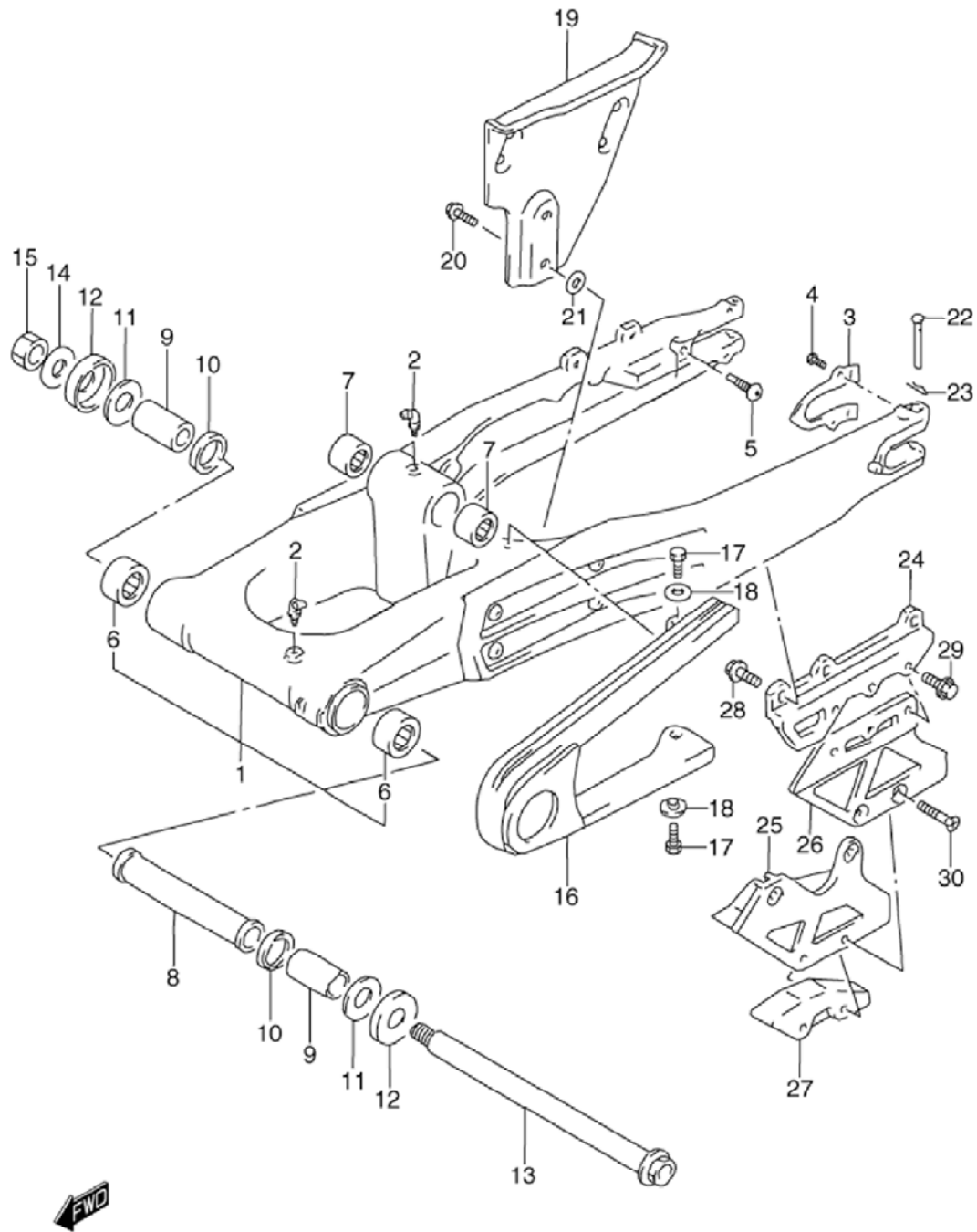


Table 42A. REAR SWINGING ARM (MODEL R/S/T)

Reference Number	Quantity Required	Part Number	Description
1	1	61000-14D50	SWINGING ARM ASSY, REAR
2	2	08351-3100A	NIPPLE, GREASE
3	2	61128-14D00	.PLATE, REAR
4	4	09125-05072	SCREW
5	2	09139-10001	.SCREW (10X21)
6	2	09263-22017	.BEARING, PIVOT (22X29X30)
7	2	09263-20071	.BEARING, CENTER (20X27X23.5)
8	1	09180-17097	.SPACER, PIVOT CENTER
9	2	61251-14D00	SPACER, PIVOT BEARING
10	2	09285-22001	.SEAL, INNER (22X29X4)
11	2	08211-17341	THRUST WASHER
12	2	61262-28C10	COVER, PIVOT
13	1	61211-14D00	SHAFT, PIVOT
14	1	08322-0116A	WASHER
15	1	09159-16007	NUT
16	1	61273-14D00	BUFFER, CHAIN TOUCH DEFENSE
17	2	01500-0616A	BOLT
18	2	09169-06057	WASHER
19	1	61310-14D10	GUARD, CHAIN
20	2	01550-0616A	BOLT
21	2	09160-06131	.WASHER
22	2	09200-06065	PIN, REAR AXLE
23	2	09385-06012	CLIP
24	1	61154-14D10	BRACKET, CHAIN GUIDE
25	1	61341-27C20	GUIDE, CHAIN
26	1	61342-28E00	PLATE, CHAIN GUIDE, OUTER
27	1	61348-27C20	DEFENSE, CHAIN GUIDE
28	3	01550-0616A	BOLT
29	3	01547-0620B	BOLT, THERMOSTAT COVER
30	2	09126-06013	SCREW, UNDER (6X40)

FIG.43

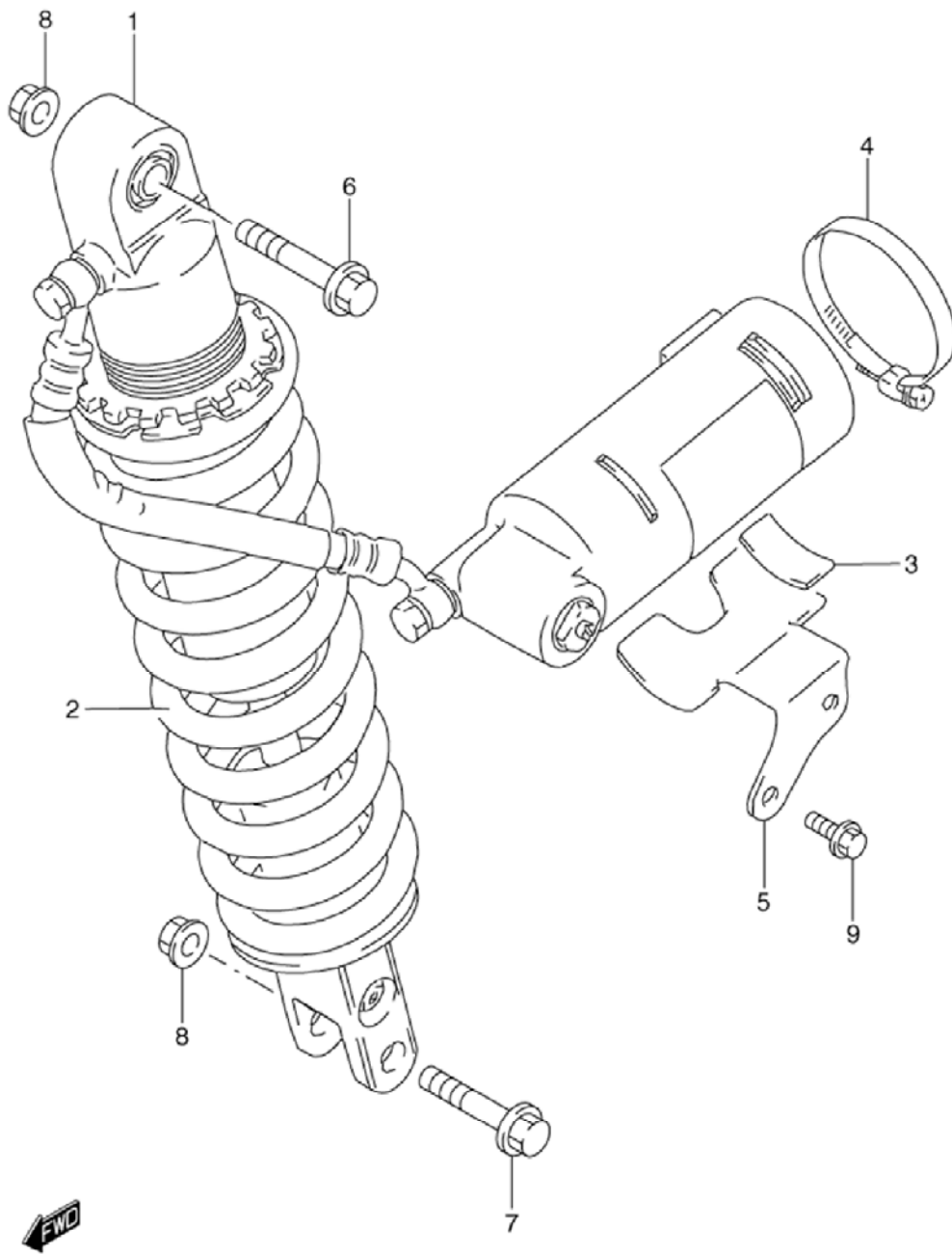


Table 43. REAR SHOCK ABSORBER

Reference Number	Quantity Required	Part Number	Description
1-1	1	62100-14D61-1TS	ABSORBER ASSY,R
1-2	1	62100-14D61-1TS	ABSORBER ASSY,R
1-3	1	62100-14D61-1TS	ABSORBER ASSY,R
1-4	1	62100-14D41-1TS	ABSORBER ASSY, REAR SHOCK
1-5	1	62100-14D41-1TS	ABSORBER ASSY, REAR SHOCK
2-3	1	62211-14D60-28W	.SPRING (WHITE)
2-4	1	62211-14D40-1TS	.SPRING (WHITE)
3-1	2	53146-20C00	CUSHION, FENDER UNDER
3-2	2	53146-20C00	CUSHION, FENDER UNDER
4	2	09402-60502	CLAMP
5	1	62420-14D10	.BRACKET, TANK
6	1	62311-28E00	BOLT, LOWER (10X54)
8	2	09159-10115	NUT
9-1	2	01550-06107	BOLT
9-2	2	01550-0610A	BOLT

FIG.44

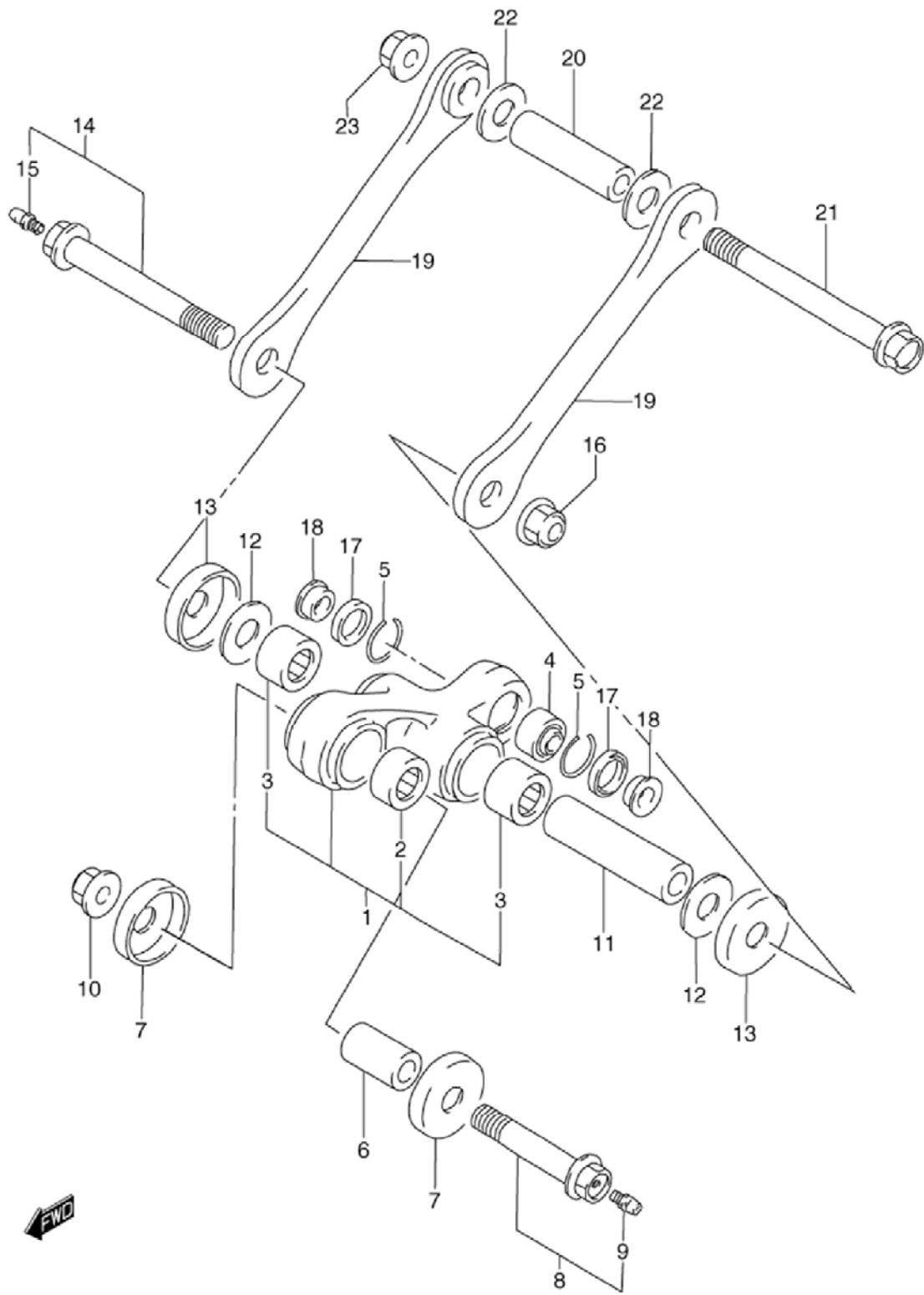


Table 44. REAR CUSHION LEVER

Reference Number	Quantity Required	Part Number	Description
1	1	62602-14850	LEVER SET, REAR CUSHION
2	1	09263-20074	.BEARING, 20X27X32
3	2	09263-20071	.BEARING, CENTER (20X27X23.5)
4	1	62175-00B00	.BEARING, REAR (10X24X14.5)
5	2	62657-34A01	.RING, STOPPER
6	1	62317-05D00	SPACER
7	2	62162-28E00	SEAL, FRONT DUST
8	1	62650-14D00	BOLT, FRONT
9	1	08351-2100A	NIPPLE,GREASE
10	1	08319-3112A	NUT
11	1	62626-14D00	SPACER, CENTER
12	2	08211-14321	THRUST WASHER
13	2	62683-27C00	SEAL, DUST
14	1	62620-14D00	BOLT, ROD
15	1	08351-2100A	NIPPLE,GREASE
16	1	08319-3114A	NUT, REAR CUSHION ROD
17	2	09285-17001	SEAL, RR CUSHION ROD
18	2	62684-27C10	SPACER, REAR
19	2	62640-14D00	ROD, REAR CUSHION
20	1	62646-14D00	SPACER, ROD
21	1	62622-14D10	BOLT
22	2	08211-14323	WASHER, FRONT
23	1	08319-3114A	NUT, REAR CUSHION ROD

FIG.45

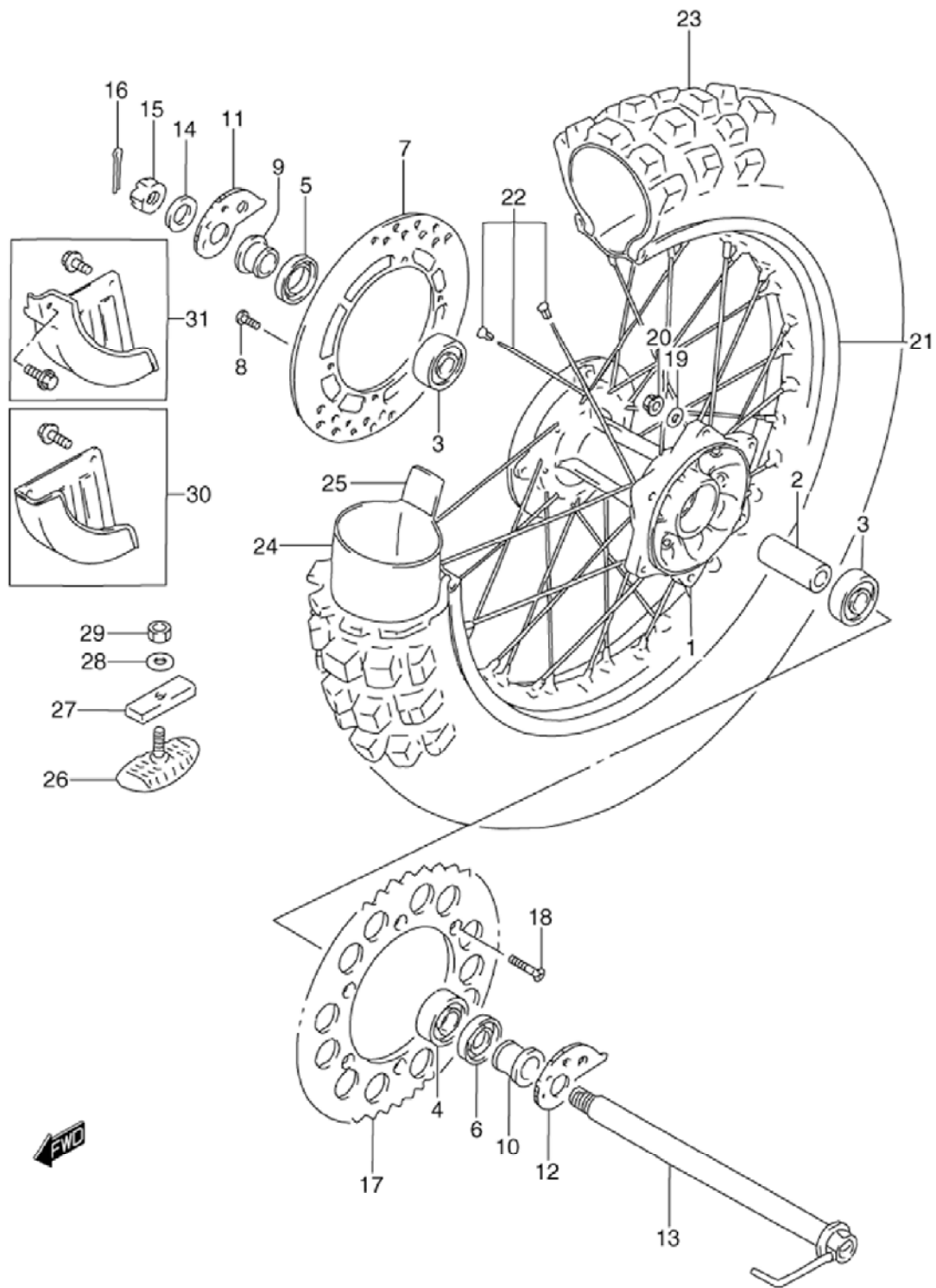


Table 45. REAR WHEEL (MODEL L/M/N/P)

Reference Number	Quantity Required	Part Number	Description
1	1	64111-03D00	HUB,REAR WHEEL
2	1	64731-14D00	SPACER, BEARING
3	2	08133-60047	BEARING, LH
4	1	08123-62047	BEARING, REAR HUB
5	1	09282-26001	OIL SEAL, RH (26X42X8)
6	1	09283-26019	OIL SEAL, LH (26X47X5)
7	1	69211-03D01	DISC, REAR BRAKE
8-1	4	09106-08128	BOLT (MODEL L/M/N->09106-08111)
8-2	4	09106-08128	BOLT
9	1	64741-14D00	SPACER, REAR AXLE RH
10	1	64751-14D00	SPACER, AXLE LH
11-1	1	61420-05D00	ADJUSTER, CHAIN, LH
11-2	1	61410-14D10	ADJUSTER, CHAIN RH (T:4.0)
12-1	1	61421-14D00	ADJUSTER, CHAIN LH (T:3.2)
12-2	1	61421-14D10	ADJUSTER, CHAIN LH (T:4.0)
13-1	1	64710-14D20	AXLE, REAR (L:282)
13-2	1	64710-14D50	AXLE, REAR (L:283.5)
14	1	09160-19022	WASHER
15	1	08314-40187	NUT
16	1	04111-4030A	PIN
17-1	1	64511-14D00	SPROCKET, REAR (NT:47)
17-3	1	64511-14D60	SPROCKET, REAR (NT:48) (OPT,OFF ROAD USE ONLYALUMINIUM)
17-4	1	64511-14D31	RR SPROCKET, 46 (OPT,OFF ROAD USE ONLYSTEEL)
17-5	1	64511-14D00	SPROCKET, REAR (NT:47) (OPT,OFF ROAD USE ONLYSTEEL->64511-14D00)
17-6	1	64511-14D60	SPROCKET, REAR (NT:48) (OPT,OFF ROAD USE ONLYSTEEL->64511-14D60)
18	6	09120-08004	BOLT (8X20)
19	6	08322-01087	WASHER
20	6	08319-31087	NUT
21	1	65311-14D00	RIM, REAR WHEEL (18X2.15)
22	1	65320-14D00	SPOKE SET, REAR WHEEL
23	1	65110-14D00	TIRE, REAR (110/100-18)
24	1	65200-40430	TUBE, INNER
25	1	55261-11010	PROTECTOR
26	1	65270-28E00	STOPPER, BEAD
27	1	65271-27C00	CUSHION, BEAD STOPPER
28	1	08322-01087	WASHER
29	1	08310-00087	NUT
30	1	69200-27C00	COVER SET, REAR DISC (MODEL L/MFOR 69100-27C10OPT,OFF ROAD USE ONLY)
31	1	69200-28C00	COVER, REAR DISC (MODEL N/PFOR 69100-14D00OPT,OFF ROAD USE ONLY)

FIG.45A

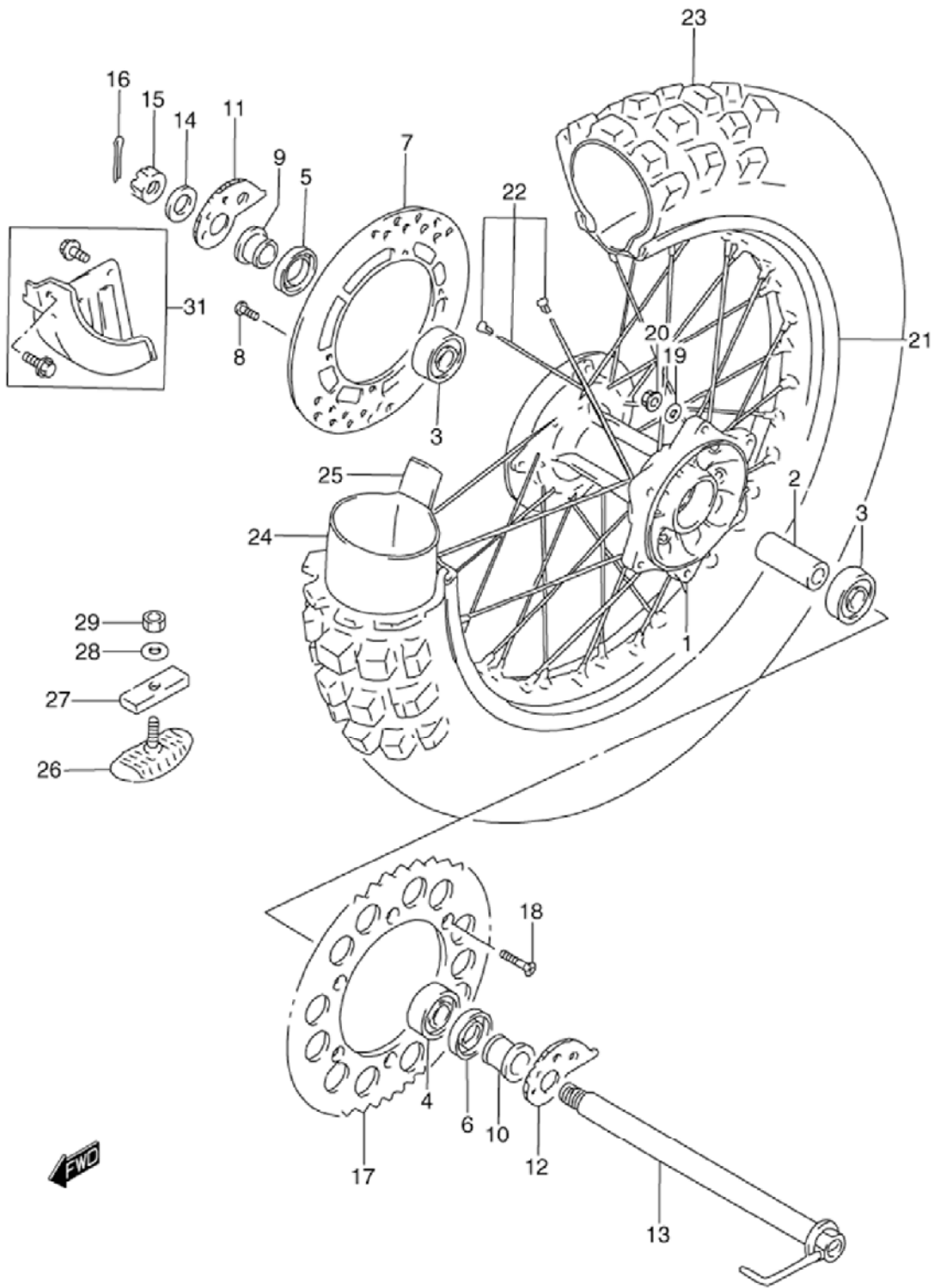


Table 45A. REAR WHEEL (MODEL R/S/T)

Reference Number	Quantity Required	Part Number	Description
1-1	1	64111-03D00	HUB, REAR WHEEL
1-2	1	64111-14D20	HUB, REAR WHEEL
2	1	64731-14D00	SPACER, BEARING
3	2	08133-60047	BEARING, LH
4	1	08123-62047	BEARING, REAR HUB
5	1	09282-26001	OIL SEAL, RH (26X42X8)
6	1	09283-26019	OIL SEAL, LH (26X47X5)
7-1	1	69211-03D01	DISC, REAR BRAKE
7-2	1	69211-03D10	DISC, REAR BRAKE
8-1	4	09106-08128	BOLT
8-2	4	09106-08155	BOLT, DISC
9	1	64741-14D00	SPACER, REAR AXLE RH
10	1	64751-14D00	SPACER, AXLE LH
11	1	61410-14D10	ADJUSTER, CHAIN RH (T:4.0)
12	1	61421-14D10	ADJUSTER, CHAIN LH (T:4.0)
13	1	64710-14D50	AXLE, REAR (L:283.5)
14	1	09160-19022	WASHER
15	1	08314-4018A	NUT
16	1	04111-4030A	PIN
17-1	1	64511-08D50	SPROCKET, REAR (NT:44)
17-2	1	64511-08D40	SPROCKET, REAR (NT:43) (OPT, OFF ROAD USE ONLY ALUMINIUM)
17-3	1	64511-08D60	SPROCKET, REAR (NT:45) (OPT, OFF ROAD USE ONLY ALUMINIUM)
17-4	1	64511-14D70	SPROCKET, REAR (NT:43) (OPT, OFF ROAD USE ONLY STEEL)
17-5	1	64511-14D80	SPROCKET, REAR (NT:44-520) (OPT, OFF ROAD USE ONLY STEEL)
17-6	1	64511-14D90	SPROCKET, REAR (NT:45) (OPT, OFF ROAD USE ONLY STEEL)
18	6	09120-08004	BOLT (8X20)
19	6	08322-0108A	WASHER, SEAT DAMPER UPPER
20	6	08319-31087	NUT
21	1	65311-14D00	RIM, REAR WHEEL (18X2.15)
22	1	65320-14D00	SPOKE SET, REAR WHEEL
23	1	65110-14D00	TIRE, REAR (110/100-18)
24	1	65200-40430	TUBE, INNER
25	1	55261-11010	PROTECTOR
26-1	1	65270-28E00	STOPPER, BEAD
26-2	1	65270-28E00	STOPPER, BEAD
27	1	65271-27C00	CUSHION, BEAD STOPPER
28-1	1	08322-01087	WASHER
28-2	1	08322-0108A	WASHER, SEAT DAMPER UPPER
29-1	1	08310-00087	NUT
29-2	1	08310-0008A	NUT
31	1	69200-28C00	COVER, REAR DISC

FIG.46

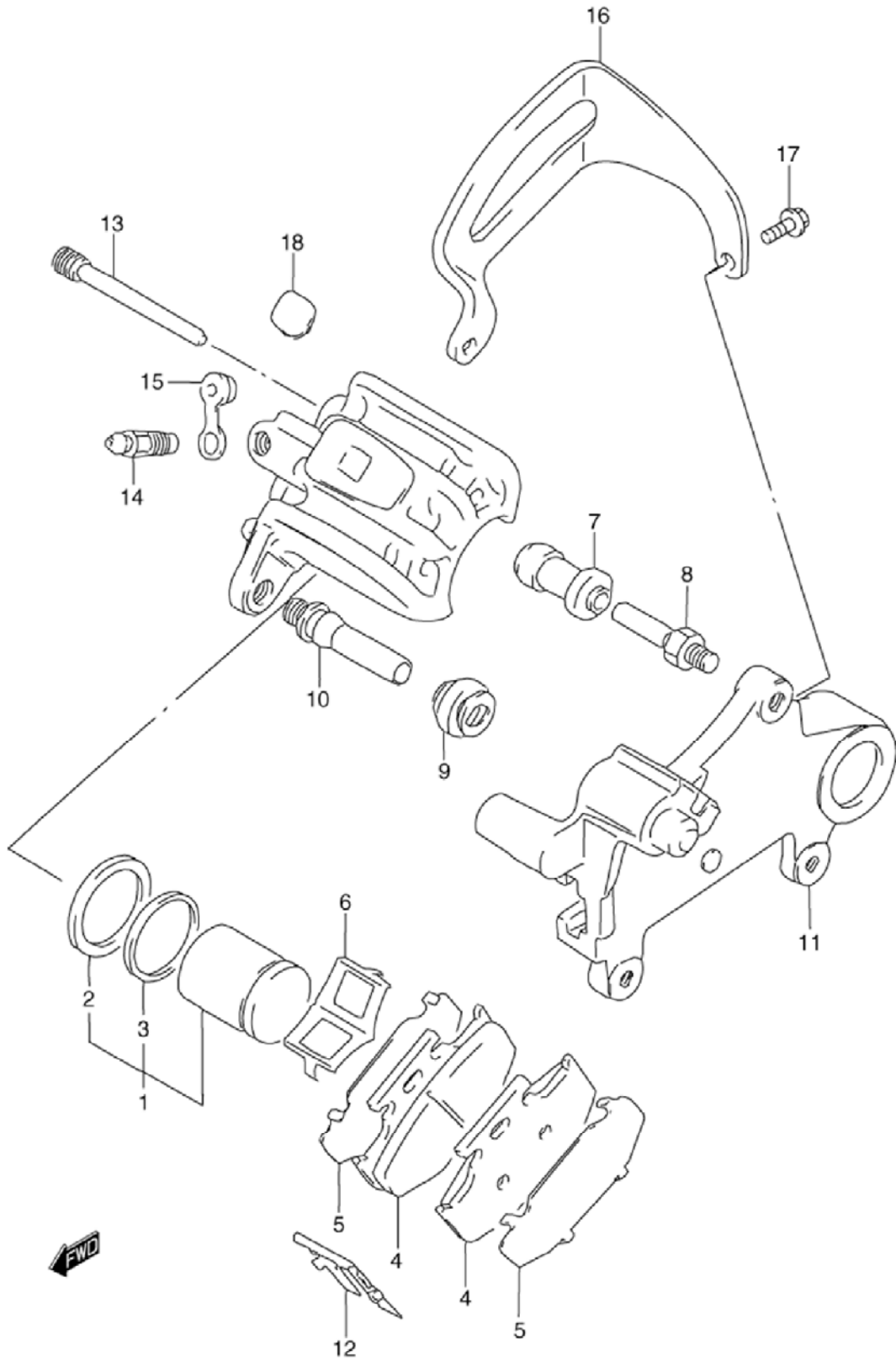


Table 46. REAR CALIPER (MODEL L/M)

Reference Number	Quantity Required	Part Number	Description
1	1	69100-27830	.PISTON SET
2	1	69100-36810	..SEAL SET, PISTON
4	2	69100-05840	PAD SET
5	2	69132-28C00	.SHIM
6	1	59315-27C10	.SPRING
7	1	59386-13A00	.BOOT
8	1	59382-27C30	.BOLT
9	1	59303-14500	.BOOT
10	1	59305-27C00	.PIN
11	1	69351-27C00	.BRACKET
12	1	69113-27C00	.RETAINER
13	2	59345-14600	.PIN
14	1	59121-01A00	.BLEEDER
15	1	59122-01A00	.CAP, BLEEDER
16	1	69725-27C20	GUARD, CALIPER
17	2	01547-06107	BOLT
18	1	69171-14D00	COVER, CALIPER BODY

FIG.46A

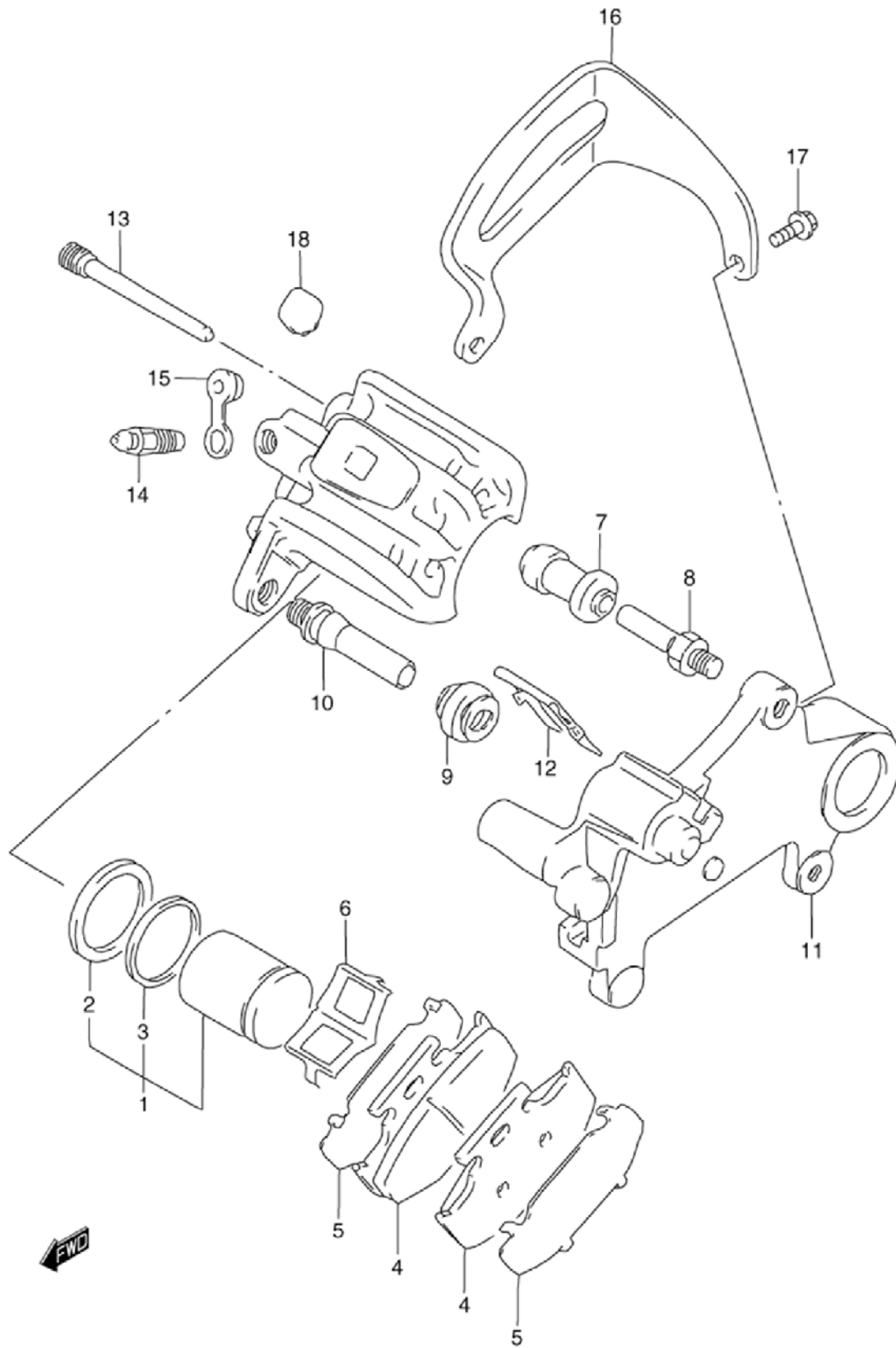


Table 46A. REAR CALIPER (MODEL N/P)

Reference Number	Quantity Required	Part Number	Description
1	1	69100-27830	.PISTON SET
2	1	69100-36810	..SEAL SET, PISTON
4	2	69100-43880	.PAD SET
5	2	69132-28C00	.SHIM
6	1	59315-27C10	.SPRING
7	1	59386-13A00	.BOOT
8	1	59382-27C30	.BOLT
9	1	59303-14500	.BOOT
10	1	59305-27C00	.PIN
11	1	69351-05D00	.BRACKET
12	1	69113-43D00	.RETAINER
13	2	59345-14600	.PIN
14	1	59121-01A00	.BLEEDER
15	1	59122-01A00	.CAP, BLEEDER
16	1	69725-27C20	GUARD, CALIPER
17	2	01547-06107	BOLT
18	1	69171-14D00	COVER, CALIPER BODY

FIG.46B

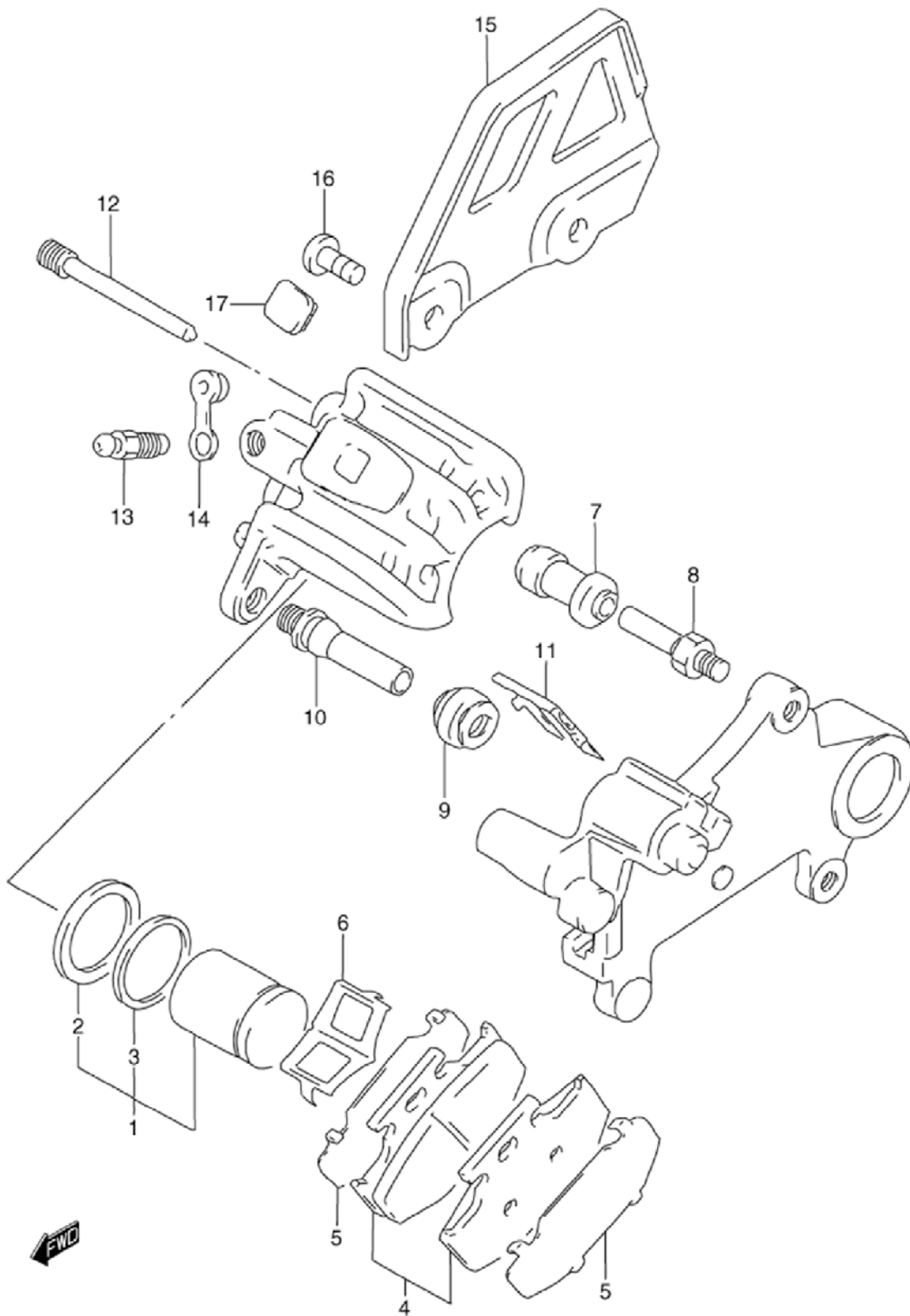


Table 46B. REAR CALIPER (MODEL R/S/T)

Reference Number	Quantity Required	Part Number	Description
	1	69100-14D10	CALIPER ASSY, REAR
1	1	69100-27830	.PISTON SET
2	1	69100-36810	..SEAL SET, PISTON
4	1	69100-43880	.PAD SET
5	2	69132-28C00	.SHIM
6	1	59315-27C10	.SPRING
7	1	59386-13A00	.BOOT
8	1	59382-27C30	.BOLT
9	1	59303-14500	.BOOT
10	1	59305-27C00	.PIN
11	1	69113-43D00	.RETAINER
12	2	59345-14600	.PIN
13	1	59121-01A00	.BLEEDER
14	1	59122-01A00	.CAP, BLEEDER
15	1	69725-14D00	GUARD, CALIPER
16	2	02142-0612A	SCREW
17	1	69171-14D00	COVER, CALIPER BODY

Table 47. REAR MASTER CYLINDER

Reference Number	Quantity Required	Part Number	Description
1	1	69600-14D01	CYLINDER ASSY, REAR MASTER
2	1	69600-04820	.PISTON / CAP SET
3	1	69691-00A00	..BOOT
4	1	69692-00B21	.YOKE
5	1	69670-48B00	.ROD, PUSH
6	2	69693-05A00	.NUT
7	1	59672-17C00	.CONNECTOR
8	1	69686-34200	.O RING
9	1	69674-00B20	.CIRCLIP
10-1	2	09139-06067	SCREW (6X16)
10-2	2	09139-06067	SCREW (6X16)
11	1	69740-03D10	TANK ASSY, RESERVOIR
12	1	69669-03D10	.CAP
13	1	69668-00B20	.PLATE
14	1	69667-00B20	.DIAPHRAGM
15-1	1	01550-0616A	BOLT
15-2	1	01550-0616A	BOLT
16	1	69743-14D10	GUARD, TANK CAP
17	1	69730-14D00	HOSE, RESERVOIR TANK
18-1	2	09401-12404	CLIP
18-2	2	09401-12404	CLIP
19	1	69480-14D00	HOSE, REAR BRAKE
20-1	2	09360-10017	BOLT (10X1.00X24) (MODEL L/M/MODEL N/P)
20-3	1	09360-10062	BOLT, FR MACTER CYLINDER
20-4	1	09360-10061	UNION
20-5	1	09360-10040	BOLT, CYLINDER HEAD HOSE UNIO
21	4	09161-10009	WASHER (10X15X1.5)
22	1	61196-00B21	CLAMP, REAR BRAKE HOSE
23-1	2	09125-05042	.SCREW (5X10)
23-2	2	02142-0510B	SCREW
24	1	61196-03D00	GUIDE, HOSE REAR
25-1	2	02112-35167	SCREW, SHIFT POSITION SENSOR
25-2	2	02112-3516A	SCREW
26	1	09200-08048	PIN
27	1	09160-08074	WASHER
28	1	04111-25158	COTTER PIN

FIG.48

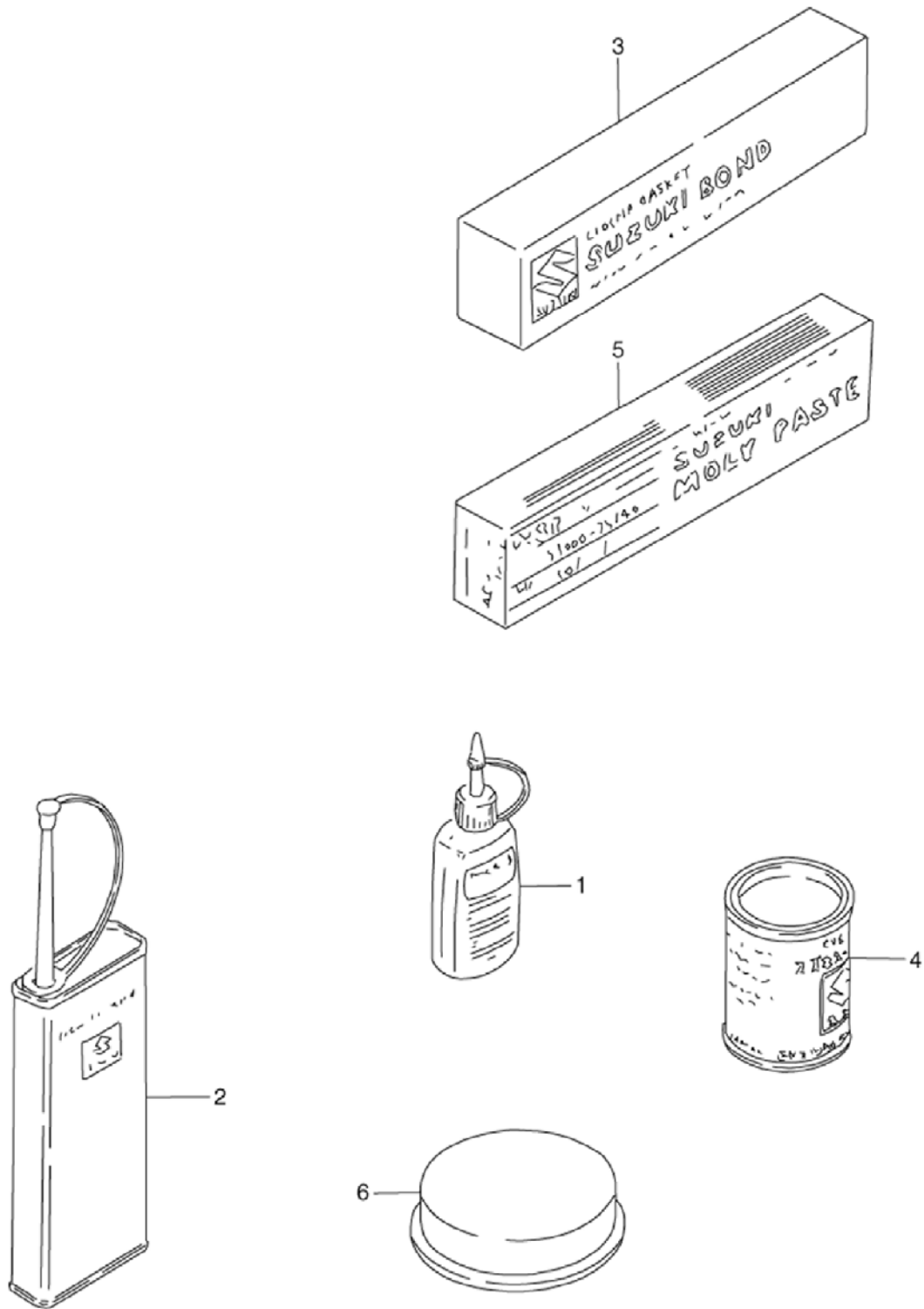


Table 48. OPTIONAL

Reference Number	Quantity Required	Part Number	Description
1-1	1	99000-32020	THREAD LOCK NO.1333B
1-2	1	99000-32030	THREAD LOCK SUPER (1303B)
1-3	1	99000-32050	THREAD LOCK NO.1342
1-4	1	99000-32100	THREAD LOCK SUPER (1305)
1-5	1	99000-32130	THREAD LOCK SUPER (1360)
2	1	99000-32040	THREAD LOCK NO.1401
3	1	99104-31140	LIQUID GASKET 1
4	1	99000-25030	SUZUKI SUPER GREASE
5	1	99000-25140	SUZUKI MOLY PASTE
6	1	99000-25110	SUZUKI PBC GREASE