

## **MOTO GUZZI WOULD LIKE TO THANK YOU**

for choosing one of its products. We have drawn up this manual to show you all the features of your motorcycle. Please read it carefully before riding your motorcycle for the first time. It contains information, tips and precautions for using your vehicle. You will also discover features, details and devices which will reassure you that you have made the right choice. We believe that if you follow our suggestions, you will soon get to know your new motorbike inside and out and it will serve you well for a long time to come. This booklet is an integral part of the vehicle and must be handed over to the new owner should the bike be sold.

# **Breva V1100**



The instructions contained in this booklet were written to provide a simple and clear guide for use of the vehicle. The manual also details routine maintenance procedures and regular checks that should be carried out on the vehicle at an authorized Moto Guzzi Dealer or **Service Center**, as well as instructions for some simple repairs. Procedures not described in detail here require the use of special tools and/or specific technical knowledge: we therefore advise you to contact an **authorized Moto Guzzi Dealer or Workshop** if you need them to be carried out.



### **Personal safety**

Failure to completely observe these instructions will result in serious risk of personal injury.



### **Safeguarding the environment**

Sections marked with this symbol indicate the correct use of the vehicle to prevent damaging the environment.



### **Vehicle intactness**

The incomplete or non-observance of these regulations leads to the risk of serious damage to the vehicle and sometimes even the invalidity of the guarantee.

*The signs pictured above are very important. They work to highlight those parts of the booklet that should be read with particular care. As you can see, each sign consists of a different graphic symbol, making it quick and easy to locate the various topics. Before you start the engine, read this booklet carefully, paying particular attention to the chapter on "SAFE RIDING". Your safety and that of other road users depends as much on your ability to respond to other traffic and unexpected occurrences as on your familiarity with your vehicle, the vehicle's efficiency and your knowledge of basic SAFE RIDING techniques. We therefore recommend that you take the time to familiarize yourself with your vehicle, so that you can ride in road traffic confidently and safely. **IMPORTANT** This booklet is an integral part of the vehicle and must be kept with the vehicle, even if the vehicle is sold.*



# Breva V1100



**INDEX**

## INDEX

Chap. 01 .....	General rules
Chap. 02 .....	Vehicle
Chap. 03 .....	Use
Chap. 04 .....	Maintenance
Chap. 05 .....	Technical data
Chap. 06 .....	Scheduled maintenance
Chap. 07 .....	Special fittings

# Breva V1100



**Chap. 01**  
**General rules**

## Foreword

### NOTE

**THIS MANUAL IS AN INTEGRAL PART OF YOUR VEHICLE. ALWAYS KEEP IT WITH YOUR VEHICLE, ALSO IN CASE OF RESALE.**

**Moto Guzzi** created this manual to provide you, as the driver, with correct and current information. However, given the fact that **Moto Guzzi** is continually improving the design of its vehicles, it is possible that there may be slight differences between the characteristics of your vehicle and those outlined in this manual. For any clarification you may need about your vehicle, contact your local **Moto Guzzi** Dealership, which will always have the most current information available from the company. For checks and repairs not expressly described in this manual, for purchase of original spare parts, accessories and other **Moto Guzzi** products, and for assistance with specific problems, contact your local **Moto Guzzi** Dealership or Service Center. The professionals there will provide you with quick and thorough assistance.

Thanks for having chosen **Moto Guzzi**.

Good riding!

This manual is protected by copyright law in all countries, and total or partial reproduction using any printing or electronic method is prohibited.

## Carbon monoxide

If it is necessary to start the engine in order to perform maintenance services, make sure the area in which it will be worked on is well-ventilated. Never let the engine run in enclosed areas.

When it is necessary to work in an enclosed area, be sure to use a system that vents the exhaust outside.

### IMPORTANT





**EXHAUST EMISSIONS CONTAIN CARBON MONOXIDE, A POISONOUS GAS WHICH CAN CAUSE LOSS OF CONSCIOUSNESS AND EVEN DEATH.**

**IMPORTANT**



**CARBON MONOXIDE IS ODORLESS AND COLORLESS. FOR THIS REASON YOU CANNOT SMELL, SEE OR IDENTIFY IT WITH THE OTHER SENSES. DO NOT BREATHE EXHAUST FUMES UNDER ANY CIRCUMSTANCES.**

## **Fuel**

Keep gasoline out of the reach of children. Gasoline is toxic. Do not use your mouth to siphon gasoline. Avoid having gasoline in contact with your skin. If you should accidentally come into contact with gasoline, change your clothes immediately, and thoroughly wash the area that was in contact with the gasoline with warm water and soap. If you should accidentally swallow gasoline, do not induce vomiting. Drink a large glass of clean water or milk and consult a doctor immediately.

If gasoline should come in contact with your eyes, rinse them with a large amount of clean, fresh water and consult a doctor immediately.

**IMPORTANT**



**GASOLINE IS HIGHLY FLAMMABLE AND CAN BECOME EXPLOSIVE UNDER CERTAIN CONDITIONS.**

**KEEP GASOLINE OUT OF THE REACH OF CHILDREN.**

## Hot components

**IMPORTANT**



THE ENGINE AND ALL EXHAUST SYSTEM COMPONENTS, AS WELL AS THOSE OF THE BRAKING SYSTEM BECOME EXTREMELY HOT AND REMAIN HOT EVEN AFTER THE VEHICLE AND THE ENGINE ARE TURNED OFF. AFTER RIDING YOUR VEHICLE, BEFORE TOUCHING ANY COMPONENT OF THE VEHICLE, MAKE SURE THAT IT HAS COOLED ENOUGH TO BE HANDLED SAFELY.

## Start off and Riding

**IMPORTANT**

IF DURING YOUR RIDE, THE GASOLINE LIGHT ON YOUR PANEL LIGHTS UP, IT MEANS THAT YOU HAVE ENTERED INTO THE RESERVE AREA.

YOU SHOULD REFUEL YOUR VEHICLE AS SOON AS POSSIBLE.

## Warning lights



IF THE ALARM LIGHT AND THE DIAGNOSTIC ICON "SERVICE" LIGHT UP WHILE THE ENGINE IS FUNCTIONING NORMALLY, IT MEANS THAT THE ELECTRONIC CENTRAL UNIT HAS FOUND AN ANOMALY.

IN MANY CASES THE ENGINE MAY CONTINUE TO PERFORM, BUT WITH REDUCED PERFORMANCE; CONTACT AN Official Moto Guzzi Dealership IMMEDIATELY, IN ORDER TO PERFORM THE SERVICES INDICATED ON THE PERIODIC MAINTENANCE SCHEDULE.



**IF THE WARNING LIGHT AND THE ENGINE OIL PRESSURE ICON STAYS ON OR TURNS ON WHILE THE ENGINE IS WORKING NORMALLY, IT MEANS THAT THE OIL PRESSURE IN THE CIRCUIT IS INSUFFICIENT.**



**IN THIS CASE CHECK THE ENGINE OIL LEVEL, AND IF IT IS NOT SUFFICIENT, IMMEDIATELY TURN OFF THE ENGINE AND TOP-UP THE OIL.**

**CONTACT AN Official Moto Guzzi Dealership TO CHECK THE SYSTEM.**

## **Used engine oil and gearbox oil**

### **IMPORTANT**



**IT IS ADVISABLE TO WEAR LATEX GLOVES WHEN SERVICING THE VEHICLE. ENGINE OIL OR TRANSMISSION FLUID MAY CAUSE SERIOUS DAMAGE TO THE SKIN IF HANDLED FOR PROLONGED PERIODS OF TIME AND ON A REGULAR BASIS. IT IS RECOMMENDED THAT YOU WASH YOUR HANDS CAREFULLY AFTER HANDLING IT. HAND THE OIL OVER TO OR HAVE IT COLLECTED BY THE NEAREST USED OIL RECYCLING COMPANY OR THE SUPPLIER. IT IS ADVISABLE TO WEAR LATEX GLOVES WHEN SERVICING THE VEHICLE.**

**DO NOT DISPERSE THE OIL IN THE ENVIRONMENT**

**KEEP OUT OF REACH OF CHILDREN**

## Brake and clutch fluid

### IMPORTANT



**BRAKE FLUID IS EXTREMELY TOXIC. NEVER INGEST BRAKE FLUID.**

**IF YOU SHOULD ACCIDENTALLY SWALLOW BRAKE FLUID, DRINK A LARGE GLASS OF CLEAN WATER OR MILK AND CONSULT A DOCTOR IMMEDIATELY. BRAKE FLUID IS HIGHLY IRRITATING TO SKIN AND EYES. IF YOU SHOULD ACCIDENTALLY COME INTO CONTACT WITH BRAKE FLUID, CHANGE YOUR CLOTHES , WASH IMMEDIATELY WITH SOAP AND HOT WATER, AND CONTACT A DOCTOR AS SOON AS POSSIBLE. IF BRAKE FLUID SHOULD COME INTO CONTACT WITH YOUR EYES, IMMEDIATELY FLUSH THEM WITH A LARGE AMOUNT OF FRESH, CLEAN WATER AND CONTACT A DOCTOR.**

**KEEP BRAKE FLUID OUT OF REACH OF CHILDREN.**

## Battery hydrogen gas and electrolyte

### IMPORTANT



**THE BATTERY EMITS HARMFUL AND EXPLOSIVE GASES; KEEP CIGARETTES, FLAMES AND SPARKS AWAY FROM THE BATTERY. PROVIDE FOR ADEQUATE VENTILATION DURING THE USE OR RECHARGING OF THE BATTERY.**

**DURING USE AND RECHARGING, MAKE SURE THAT THE AREA IS VENTILATED IN AN ADEQUATE MANNER , AND DO NOT INHALE THE GASES RELEASED DURING RECHARGING.**

**THE BATTERY CONTAINS SULFURIC ACID (ELECTROLYTE). CONTACT WITH SKIN OR EYES CAN CAUSE SERIOUS BURNS. ALWAYS WEAR PROTECTIVE CLOTHING, RUBBER GLOVES, AND A MASK OR SAFETY GLASSES WHEN WORKING WITH THE**

**BATTERY, ESPECIALLY WHEN FILLING THE BATTERY WITH ELECTROLYTE OR WATER.**

**IN CASE OF CONTACT WITH THE SKIN, RINSE WITH A LARGE AMOUNT OF WATER. IN CASE OF CONTACT WITH THE EYES, FLUSH WITH WATER FOR AT LEAST 15 MINUTES.**

**CONSULT A DOCTOR IMMEDIATELY.**

**ELECTROLYTE IS TOXIC.**

**IN CASE OF ACCIDENTAL INGESTION OF ELECTROLYTE, DRINK A LARGE GLASS OF WATER OR MILK, FOLLOWED BY MILK OF MAGNESIA OR VEGETABLE OIL. CONSULT A DOCTOR IMMEDIATELY.**

**KEEP THE BATTERY AND ELECTROLYTE OUT OF REACH OF CHILDREN.**

## **Stand**



**BEFORE STARTING OFF, MAKE SURE THAT THE STAND HAS COMPLETELY RETURNED TO ITS POSITION.**

**DO NOT PUT YOUR WEIGHT, NOR THAT OF A PASSENGER ON THE SIDE STAND.**

## **Precautions general advice**

Your safety and the safety of the persons around you depend not only on your riding ability, but also on your knowledge of your vehicle and safety rules.

For this reason, it is essential that you do not use your vehicle on public streets or on the highway until you have attended a course organized by a qualified and serious safety organization, for example the MOTORCYCLE SAFETY FOUNDATION.

## **LIST OF DEFECTS THAT COMPROMISE SAFETY**

If you think that your vehicle may have a defect that could cause accidents or deaths, you must immediately inform the Department of Transportation.

If the Department of Transportation receives information about defects, it may open an investigation and discover a group of defective vehicles. At that point it may initiate an informational campaign and recall the vehicles from the market.

However, the Department of Transport will not become involved in personal problems between the consumer and the manufacturer.

You can obtain additional information through the telephone number created for that purpose.

## **Reporting of defects that affect safety**

### **GENERAL PRECAUTIONS AND INFORMATION**

When repairing, dismantling and reassembling the vehicle follow the recommendations reported below carefully.

### **BEFORE REMOVING COMPONENTS**

- Before dismantling components, remove dirt, mud, dust and foreign bodies from the vehicle. Use the special tools designed for this motorcycle as required.

### **REMOVAL OF COMPONENTS**

- Do not loosen and/or tighten screws and nuts using pliers or other tools other than the specially designed wrench.
- Mark positions on all connection joints (pipes, cables etc.) before separating them, and identify them with distinctive symbols.
- Each component needs to be clearly marked in order to be identified during reassembly.
- Clean and wash the dismantled components carefully, using a low-flammability detergent.
- Keep coupled parts together since they will have "adjusted" to each other due to

- normal wear and tear.
- Some components must be used together or all be replaced at the same time.
- Keep away from heat sources.

## REASSEMBLY OF COMPONENTS

### IMPORTANT

**THE BEARINGS MUST BE ABLE TO ROTATE FREELY, WITHOUT BINDING AND/OR NOISE, OTHERWISE THEY NEED REPLACING.**

- Only use ORIGINAL Moto Guzzi SPARE PARTS.
- Comply with lubricant and wear usage guidelines.
- Lubricate parts (whenever possible) before reassembling them.
- When tightening nuts and screws, start from the ones with the largest section or from the internal ones, moving diagonally. Tighten nuts and screws in successive steps before applying the tightening torque.
- Always replace self-locking nuts, washers, sealing rings, clips, O-rings(OR), split pins and screws with new ones if their thread is damaged.
- When assembling the bearings, make sure to lubricate them well.
- Check that each component is assembled correctly.
- After a repair or routine maintenance procedure, carry out pre-ride checks and test the vehicle on private grounds or in an area with low traffic density.
- Clean all junction planes, oil guard rims and washers before refitting them. Smear a light layer of lithium-based grease on the oil guard rims. Reassemble the oil guard and the bearings with the brand or lot number facing outward (visible side).

## ELECTRICAL CONNECTORS

Electrical connectors must be disconnected as follows, as noncompliance with the procedure described below causes irreparable damages to both the connector and the cable harness:

Press the relevant safety hooks, if present.

- Grip the two connectors and disconnect them by pulling them in opposite directions.
- If dirt, rust, humidity etc. is present, clean the connector's internal parts carefully, using a jet of pressurized air.
- Make sure that the cables are correctly linked to the connector's internal terminal ends.
- Then insert the two connectors making sure that they couple correctly (if the relevant hooks are provided, you will hear them "click" into place).

#### **IMPORTANT**

**DO NOT PULL THE CABLES TO DISCONNECT THE TWO CONNECTORS.**

#### **NOTE**

**THE TWO CONNECTORS CONNECT ONLY FROM ONE SIDE: CONNECT THEM THE RIGHT WAY.**

#### **TIGHTENING TORQUE**

#### **IMPORTANT**

**DO NOT FORGET THAT TIGHTENING TORQUE OF ALL FASTENING ELEMENTS ON WHEELS, BRAKES, WHEEL SPINDLES AND OTHER SUSPENSION COMPONENTS PLAYS A KEY ROLE IN ENSURING VEHICLE SAFETY AND MUST COMPLY WITH SPECIFIED VALUES. CHECK THE TIGHTENING TORQUE OF FASTENING PARTS ON A REGULAR BASIS AND ALWAYS USE A TORQUE WRENCH TO REASSEMBLE THESE COMPONENTS. IF THESE RECOMMENDATIONS ARE NOT COMPLIED WITH, ONE OF THE COMPONENTS MAY BECOME LOOSE AND EVEN DETACHED, THUS BLOCKING A WHEEL, OR OTHERWISE COMPROMISING THE VEHICLE'S MANEUVERABILITY. THIS CAN LEAD TO FALLS, WITH THE RISK OF SERIOUS INJURY OR DEATH.**

## **Road regulations and use of the motorcycle**

The rules of the road vary from state to state. It is very important to know beforehand the



rules of the road for the country in which your vehicle will be used.

#### IMPORTANT



**THIS VEHICLE WAS CONCEIVED AND PRODUCED TO BE USED EXCLUSIVELY ON PAVED ROADS. IT IS NOT INTENDED TO BE USED OFF-ROAD, ON RACETRACKS, OR ON ROADS THAT ARE NOT CLEAN. IT WAS NOT CREATED TO BE USED IN OFF-ROAD RACES OR FOR MOTOCROSS. DO NOT USE THE VEHICLE ON IRREGULAR SURFACES, IN BAD CONDITIONS, OR IN OTHER OFF-ROAD AREAS. NOT OBSERVING THESE WARNINGS MAY LEAD TO A FALL RESULTING IN INJURY AND EVEN DEATH.**

## Noise emission warranty

**Moto Guzzi** guarantees that, at the moment of sale, the exhaust system conforms with all U.S. **EPA** federal noise emission standards. This warranty extends also to the first person who purchases the exhaust system without the intention of reselling it, and to all successive buyers.

Warranty claims should be sent to:

#### **Moto Guzzi USA**

140 East 45th Street, 17th Floor

New York, NY 10017

Tel: 800.696.6864

## Origin of the emissions

#### IMPORTANT



**THE COMBUSTION PROCESS CREATES CARBON MONOXIDE AND HYDROCARBONS. THE HYDROCARBON CHECK IS VERY IMPORTANT BECAUSE UNDER CERTAIN CONDITIONS THESE CAN REACT TO SUNLIGHT AND CREATE PHOTOCHEMICAL SMOG.**

**CARBON MONOXIDE DOES NOT REACT IN THE SAME WAY, BUT IT IS TOXIC AND HARMFUL. Moto Guzzi USES A CARBURETOR SYSTEM BASED ON A "LEAN" FUEL MIX AND OTHER SYSTEMS TO REDUCE THE PRODUCTION OF CARBON MONOXIDE AND HYDROCARBONS.**

## **Tampering**

Tampering with the noise control system is prohibited. Federal law prohibits the following actions or acts that could cause them:

**a)** The removal of any device or element intended to control noise emissions included in all new vehicles, or any action, on the part of any person, intended to render these inoperative, except for purposes of maintenance, repair, or substitution, either before delivery to the final purchaser or during utilization of the vehicle,

or

**b)** use of the vehicle after said device or element has been removed or made inoperable by any person.

The following actions are also defined as tampering:

**a)** Removal or perforation of the muffler, baffles, inflow tubes, or any other component that conveys exhaust fumes.

**b)** Dismantling or perforating any component of the intake system.

**c)** Insufficient maintenance.

**d)** Substitution of any moving parts or any parts of the intake or exhaust systems with parts different than those specified by the manufacturer.

**IMPORTANT**



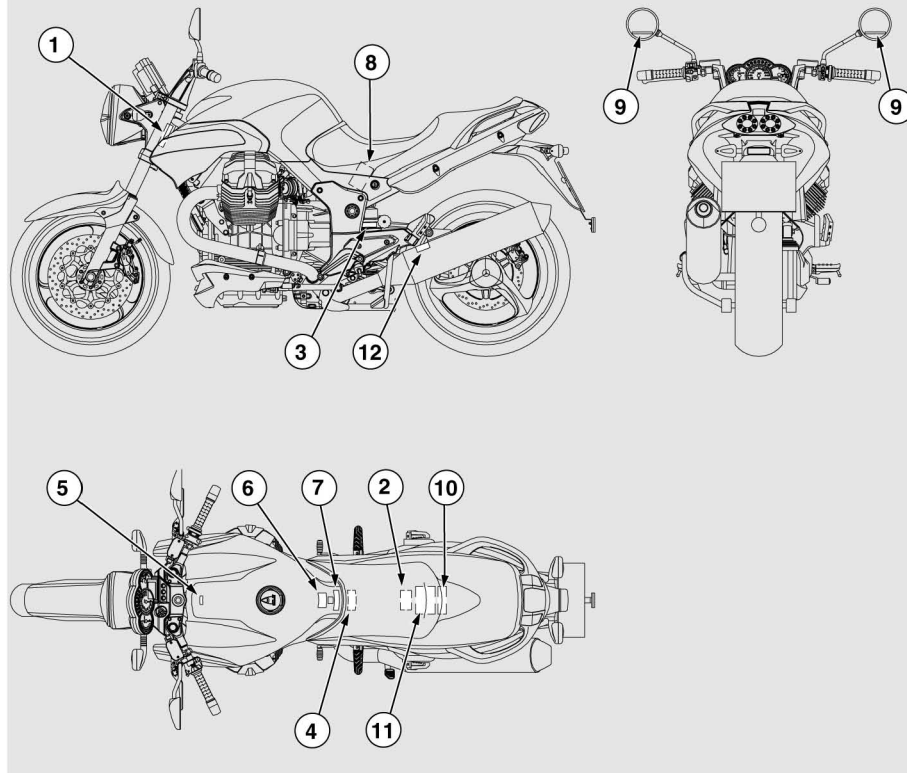
**THIS PRODUCT MUST BE REPAIRED OR REPLACED IF THE NOISE PRODUCED BY THE VEHICLE SHOULD INCREASE SIGNIFICANTLY DURING USE. IF THESE ACTIONS ARE NOT TAKEN, THE OWNER OF THE VEHICLE COULD FACE FINES ACCORDING TO LOCAL, STATE AND FEDERAL LAWS.**

## **Problems that may affect the motorscooter emissions**

Whenever you encounter one of the following warning signs, immediately have your vehicle checked and repaired at your local **Moto Guzzi** Dealership.

### **Symptoms:**

- Difficulty starting up, or stalling after start up.
- Variable idling speed .
- Ignition problems or ignition advance while accelerating.
- Combustion delay (spark advance) .
- Poor engine performance, reduced handling, or excessive fuel consumption.



**USA**

○ MFD BY Moto Guzzi S.p.A. Italy ○	GVWR ??? KG (??? LB) GAWR F. ??? KG (??? LB)
<input type="text"/>	WITH ???/?? - ??? ??? TIRE
THIS VEHICLE CONFORMS TO ALL APPLICABLE U.S. FEDERAL MOTOR VEHICLE SAFETY STANDARDS IN EFFECT ON THE DATE OF MANUFACTURE SHOWN ABOVE	AND ?.? x ?? MT DOT RIM
	AT ??? KPA (?? PSI) COLD
	GAWR R. ??? KG (??? LB)
	WITH ???/?? - ??? ??? TIRES
	AND ?.? x ?? MT DOT RIM
	or ???/?? - ??? ??? TIRE
	AND ?.? x ?? MT DOT RIM
	AT ??? KPA (?? PSI)
VIN: <input type="text"/>	
○ TYPE: MOTORCYCLE ○	

01\_02

**CDN**MANUFACTURERD BY/FABRIQUE PAR: MOTO GUZZI S.p.A DATE : 

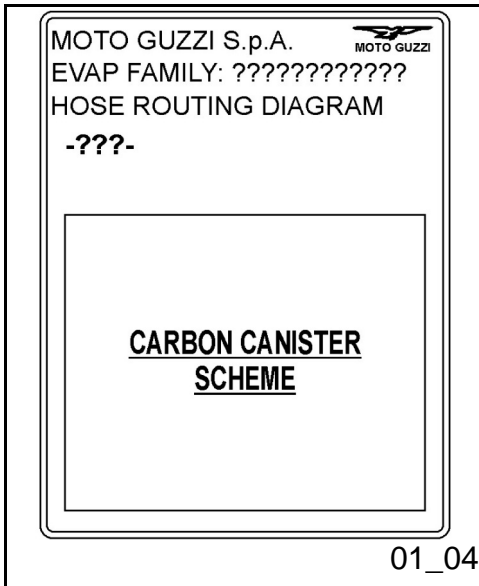
TYPE OF VEHICLE/TYPE DE VEHICULE: "MC"

GVWR/PNBV: ???Kg V. I. N./N. I. V.: 

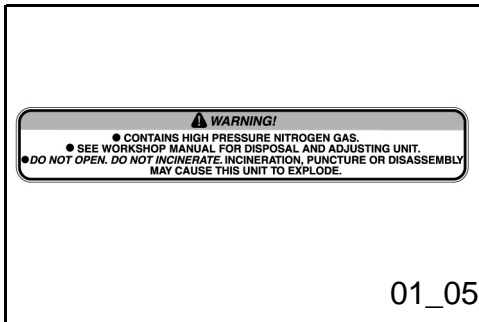
GAWR/PNBE Kg ○ ○	TIRE/PNEU-DIMENSION-RIM/JANTE ○		COLD INFL. PRESS./ PRESS. DE GONFL A' FROID PSI/LPC OR Kpa
???	???/???? ?? ???	?? x ?.??	???
???	???/???? ?? ???	?? x ?.??	???
THIS VEHICLE CONFORMS TO ALL APPLICABLE STANDARDS PRESCRIBED UNDER THE CANADIAN MOTOR VEHICLE SAFETY REGULATIONS IN EFFECT ON THE DATE OF MANUFACTURE/CE VEHICULE EST CONFORME A' TOUTES LES NORMES QUI LUI SONT APPLICABLES EN VERTU DU REGLEMENT SUR LA SECURITE DES VEHICULES AUTOMOBILES DU CANADA EN VIGUEUR A LA DATE DE SA FABRICATION.			

01\_03

**Label 1 (01\_02, 01\_03)**




Label 2 (01\_04)






Label 3 (01\_05)

**⚠ WARNING!**

Do not use any tire other than those recommended and approved by Moto Guzzi. Maintain proper tire inflation. Do not use any tire with less than 1/8" (3mm) tread remaining. Do not repair any tire, nor use a repaired tire. Do not ride your motorcycle overloaded or with an unbalanced load. Failure to follow these warnings can lead to an accident and serious injuries or death. See owner's manual.

-???-  MOTO GUZZI

	Tires pressure kPa - (psi)		Tires size	Front tire	
	Front tire	Rear tire		??????	??????
	???	???	}	??????	} ???/?? ??" ??
	(??)	(??)		??????	
				??????	
	???	???	}	??????	} ???/?? ??" ??
	(??)	(42)		??????	
				??????	
	???	???	}	??????	} ???/?? ??" ??
	(??)	(??)		??????	
				??????	

01\_06

Label 4 (01\_06)

**⚠ WARNING!**

**DO NOT ALLOW KEY CHAIN AND ANY OTHER ITEM TO FALL BETWEEN THE STEERING HEAD AND THE BODY OF MOTORCYCLE. THIS CAN CAUSE LOSS OF CONTROL.**

01\_07

Label 5 (01\_07)



**⚠ WARNING!**

- *Wear a helmet, eye protection, and bright protective clothing.*
- *Don't ride after consuming alcohol or other drugs.*
- *Slow down on slippery surface, unfamiliar terrain or when visibility is reduced.*
- *Read owner's manual carefully*
- *Failure to follow these warnings can lead to an accident and serious injuries or death.*
- **USE UNLEADED FUEL. MINIMUM OCTANE RATING (R + M) / 2 METHOD 90.**
- *See owner's manual for the correct running in and maintenance of the vehicle.*

01\_08

**Label 6 (01\_08)****⚠ WARNING!**

*Never install accessories or replacement parts not approved by Moto Guzzi as original equipment. This can degrade the handling and safety of your motorcycle, and can cause an upset with subsequent accident and serious injury or even death. The stability and safety of any motorcycle is adversely affected by the addition of any load carrying accessory. See owner's manual.*

01\_09

**Label 7 (01\_09)**

**⚠ WARNING!**

Contain sulfuric acid which can cause severe injuries. Avoid contact with skin, eyes or clothing. Antidote: EXTERNAL - Flush with water. INTERNAL - Drink large quantities of water or milk. Follow with milk of magnesia, beaten egg or veg. oil. Call physician immediately. Eyes: Flush with water for 15 minutes and get prompt medical attention.

**KEEP OUT OF REACH OF CHILDREN.**


Batteries produce explosive gases. Keep sparks, flames, cigarettes away. Charge only in well-ventilated space. Always wear protective goggles when working around batteries. Always connect the battery vent tube. Failure to heed this warning will cause corrosion of the electrical system.

01\_10

Label 8 (01\_10)

**MOTORCYCLE NOISE EMISSION CONTROL INFORMATION**

THIS (MY) ?????????? MOTORCYCLE, ?????  
MEETS EPA NOISE EMISSION REQUIREMENTS OF ?? dBA  
AT ???? closing r.p.m. BY FEDERAL TEST PROCEDURE.  
MODIFICATIONS WHICH CAUSE THIS MOTORCYCLE TO EXCEED  
FEDERAL NOISE STANDARDS ARE PROHIBITED BY FEDERAL LAW.  
SEE OWNER'S MANUAL.

-???-  MOTO GUZZI

01\_11

Label 10 (01\_11)

## Label 9 (01\_12)

OBJECTS IN MIRROR ARE CLOSER THAN THEY APPEAR.

01\_12

## Label 11 (01\_13)

**VEHICLE EMISSION CONTROL INFORMATION -???**  
 ENGINE DISPLACEMENT: ?? cc  
 ENGINE FAMILY: ??????.?????  
 THIS VEHICLE CONFORMS TO U.S. EPA AND CALIFORNIA  
 REGULATIONS APPLICABLE TO (MY) MODEL YEAR NEW  
 MOTORCYCLES AND IS CERTIFIED TO ?.? HC+NO<sub>x</sub> G/KM  
 ENGINE FAMILY EXHAUST EMISSION STANDARD.  
 ENGINE EXHAUST CONTROL SYSTEM: ???

**ENGINE TUNE UP SPECIFICATIONS**  
 IGNITION TIMING: ??° ± ?° AT 3000 RPM  
 IDLE SPEED: ????? ± ??? RPM IN NEUTRAL  
 VALVE CLEARANCE: ???

**SPARK PLUG: ???????**  
**FUEL: MINIMUM OCTANE RATING (M+R)/2 METHOD 90**  
**OIL: ????????**

MOTO GUZZI S.p.A.  
 Via E. Parodi 57  
 23826 Mandello del Lario (LC) ITALY



01\_13

## Label 12 (01\_14)

Muffler stamping

01\_14

**Piaggio Group Americas, Inc.**  
140 East 45th Street, 17th Floor - New York, NY 10017

### Reporting Safety Defects

If you believe that your vehicle has a defect which could cause a crash or could cause injury or death, you should immediately inform the National Highway Traffic Safety Administration (NHTSA) in addition to notifying **Piaggio Group Americas, Inc.**

If NHTSA receives similar complaints, it may open an investigation, and if it finds that a safety defect exists in a group of vehicles, it may order a recall and remedy campaign. However, NHTSA cannot become involved in any individual problems between you, your dealer, or **Piaggio Group Americas, Inc.**

To contact NHTSA you may either call the Auto Safety Hotline toll-free at 1-888-327-4236 or write to:

NHTSA  
U.S. DEPARTMENT of TRANSPORTATION  
400 7th Street SW, (NVS-223) Washington, DC 20590

You can also obtain other information about motor vehicle safety from the Hotline.

01\_15

## Label 13 (01\_15)

PLATE NOT PRESENT ON THE MOTORCYCLE

### Your warranty rights and obligations

The California Air Resources Board and **Moto Guzzi** s.p.a. (hereafter "**Moto Guzzi**") are pleased to illustrate the emission control warranty on your motorcycle produced in 1999 and thereafter. In California, new motorized vehicles must be designed, constructed and equipped to conform with the strict antismog standards in the United States. **Moto Guzzi** must guarantee the emission control system on your motorcycle for the periods of time listed below, with the exception of violations, negligence or improper maintenance of your motorcycle.

Your emission control system may include components such as the carburetor, or the carburetor injection system, the ignition system, the catalytic converter and the engine computer. It may also include tubes, belts, connectors and other groups connected to emissions.

Where a legitimate condition exists, **Moto Guzzi** will repair your motorcycle for free, including diagnosis, spare parts, and labor.

### Manufacturer's warranty coverage

Class I motorcycles (50 - 169 cc) (3 - 10.3 cuin): for a period of use of five (5) years or 12.000 km (7,456 mi) whichever comes first.

Class II motorcycles (170 - 279 cc) (10.4 - 17 cuin): for a period of use of five (5) years or 18.000 km (11,185 mi) whichever comes first.

Class III motorcycles (280 cc and over) (17.1 cuin) : for a period of use of five (5) years or 30.000 km (18,641 mi) whichever comes first.

If an emission control related component on your motorcycle is defective, it will be repaired or replaced by **Moto Guzzi**. This is your WARRANTY ON DEFECTS for the emission control system.

## **Moto Guzzi s.p.a. - LIMITED WARRANTY FOR THE EMISSION CONTROL SYSTEM**

**Moto Guzzi s.p.a.**, Via E. V. Parodi, 57, 23826 Mandello del Lario (LC) Italy (hereafter "**Moto Guzzi**")\_ guarantees that all **Moto Guzzi** motorcycles produced in 1999 and from then on which include front, rear and brake lights as standard parts are sanctioned for street use:

**a)** they have been designed, constructed, and equipped in conformance with all United States Environmental Protection Agency (US Environmental Protection Agency) and the California Air Resources Board norms in force at the moment of the initial sale to the public;

and

**b)** they have no materials or work defect which could cause nonconformance with the United States Environmental Protection Agency and the California Air Resources Board norms in force for a period of use which is based on engine displacement: 6.000 km (3,750 mi), if the engine displacement is less than 50 cc (3 cuin); 12.000 km (7,456 mi) if the engine displacement is less than 170 cc (10.37 cuin); 18.000 km (11,185 mi) if the engine displacement is equal to or greater than 170 cc (10.37 cuin), but less than 280 cc (17.1 cuin); and 30.000 km (18,641 mi) if the engine displacement is equal to or greater than 280 cc (17.1 cuin) or 5 (five) years - from the original date of sale to the public, whichever comes first.

## **Owner's warranty responsibilities**

- As owner, you are responsible for the completion of all maintenance work indicated in your Use and Maintenance Manual. **Moto Guzzi** advises that you save all receipts related to maintenance of your motorcycle even if **Moto Guzzi** cannot deny warranty coverage solely because of a lack of receipts or the inability to demonstrate that all parts of the scheduled maintenance program were carried out.
- It is your responsibility to have your vehicle checked at a **Moto Guzzi** Dealership as soon as a problem presents itself. Warranty repairs must be conducted within a reasonable time period, which shall not exceed 30 consecutive days.
- As the owner of your motorcycle, you should be aware that **Moto Guzzi** may deny your warranty if your motorcycle or one of its components becomes defective as a result of violations, negligence, improper maintenance or unauthorized modifications.

For any question regarding your rights and responsibilities under the warranty, you may contact **Piaggio Group Americas, Inc.**, 140 East 45th Street, 17th Floor - New York, NY 10017, or the **California Air Resources Board** at P.O. Box 8001, 9528 Telstar Avenue, El Monte, CA 91731.

## I - Coverage.

Defects under warranty must be repaired at an Official **Moto Guzzi** Dealership in the United States, during normal working hours, and in conformance with the Clean Air Act and all other applicable United States Environmental Protection Agency and California Air Resources Board norms. All components substituted under this warranty become the property of **Moto Guzzi**.

Only in the State of California, the components under warranty connected with emissions control are defined specifically by that state's Emissions Related Parts List. The following parts are covered under the warranty: carburetor and internal components, air induction system, fuel tank; fuel injection system; spark advance mechanism; crank case breather tube; air-blocking valves; fuel tank cap for vehicles with evaporative emissions control; oil top up cap; pressure control valve; vapor/fuel separator; canister; igniters; switch regulators; ignition coils; ignition wires; ignition points; condensers and spark-plugs that are defective before the first scheduled replacement; and all tubes, clamps, joints and tubes directly used on the above components. Because the components used for emission control vary from model to model, some models may not use all the above components and other models may have different components with equivalent functions.

Only in the State of California, as provided in California's Administrative Code, are emergency emissions system repairs allowed to be performed by third parties instead of an Official **Moto Guzzi** Dealership. An emergency situation is one in which an Official **Moto Guzzi** Dealership is not available, or a part is not available and will not be within 30 days, or in which the repair will not be completed within 30 days. In the case of an emergency repair, any type of spare part may be used. **Moto Guzzi** will reimburse the owner for the costs, including the diagnosis, but without exceeding the recommended consumer price for the **Moto Guzzi** price for the substituted part under warranty. For labor costs, Moto Guzzi will reimburse the costs based on the **Moto Guzzi** recommended labor times for warranty repairs and based on an hourly rate appropriate for the geographic area. The owner may be asked to conserve the receipt(s)

and the defective parts in order to receive the reimbursement.

## II - Limitations

The emission control system warranty does not cover the following:

a) Repairs and replacement necessary because of:

(1) accidents,

(2) improper use,

(3) improperly conducted repairs or incorrectly installed replacement parts,

(4) use of spare parts or accessories that are not in conformance with aprilia specifications and which could negatively affect performance,

(5) use in competitions and other similar events.

b) Checks, replacement of components or other necessary services or adjustments performed under normal scheduled maintenance.

c) Any motorcycle on which the odometer's mileage has been modified in a manner in which it is no longer possible to easily establish the true mileage.

## III – Limited liability

a) **Moto Guzzi's** responsibilities under the emission control warranty are limited exclusively to the elimination of materials or work defects through an Official **Moto Guzzi** Dealership at its corporate headquarters during normal working hours. This warranty does not cover hardship due to the impossibility of using the motorcycle, nor transport of the motorcycle to/from the **Moto Guzzi** Dealership.

**Moto Guzzi** SHALL BE HELD HARMLESS FOR ALL OTHER COSTS, LOSSES OR DAMAGES, DIRECT OR INDIRECT, ACCIDENTAL OR PUNITIVE, DERIVING FROM THE SALE, USE OR IMPOSSIBILITY OF USE OF THE **Moto Guzzi** MOTORCYCLE FOR ANY REASON. SOME STATES DO NOT ALLOW THE EXCLUSION OR LIMITATION OF ACCIDENTAL OR INDIRECT DAMAGES AND FOR THIS REASON THE ABOVE-



MENTIONED LIMITATIONS MAY NOT APPLY IN YOUR CASE.

b) STATEMENTS EXPRESSED BY **Moto Guzzi** WITH THE EXCEPTION OF THAT EXPRESSLY DEFINED IN THIS DOCUMENT: ANY EMISSION CONTROL WARRANTY IMPLIED BY THE LAW, INCLUDING ANY COMMERCIAL WARRANTY OR QUALIFICATION FOR A DETERMINED USE, IS LIMITED TO THE EMISSIONS CONTROL WARRANTY DEFINED IN THE PRESENT WARRANTY. THE PRESENT WARRANTY DECLARATION EXCLUDES AND SUBSTITUTES ALL OTHER RIGHT TO REIMBURSEMENT. SOME STATES DO NOT ALLOW LIMITATIONS ON THE LENGTH OF THE IMPLICIT WARRANTY AND FOR THIS REASON THE ABOVE-MENTIONED LIMITATIONS MAY NOT APPLY IN YOUR CASE,

c) No Dealership is authorized to modify the conditions of the **Moto Guzzi** Emissions Control Warranty.

## **IV - Legal rights**

THIS WARRANTY PROVIDES YOU WITH SPECIFIC LEGAL RIGHTS. CUSTOMERS LIVING IN CERTAIN STATES MAY HAVE ADDITIONAL WARRANTY RIGHTS.

## **V - This warranty is in addition to the manufacturer limited vehicle warranty**

THIS WARRANTY COMPLETES THE LIMITED WARRANTY ON THE MOTORCYCLE **Moto Guzzi**.

## **VI - Additional information**

Any spare part with comparable performance and lifespan may be used for maintenance repairs. However, aprilia does not assume any responsibility for these parts. The owner is responsible for performance of all scheduled maintenance. This maintenance may be performed at a service center or by the owner him/herself. The warranty takes effect from the date of the delivery to the final purchaser.

**Moto Guzzi**

via E. V. Parodi, 57

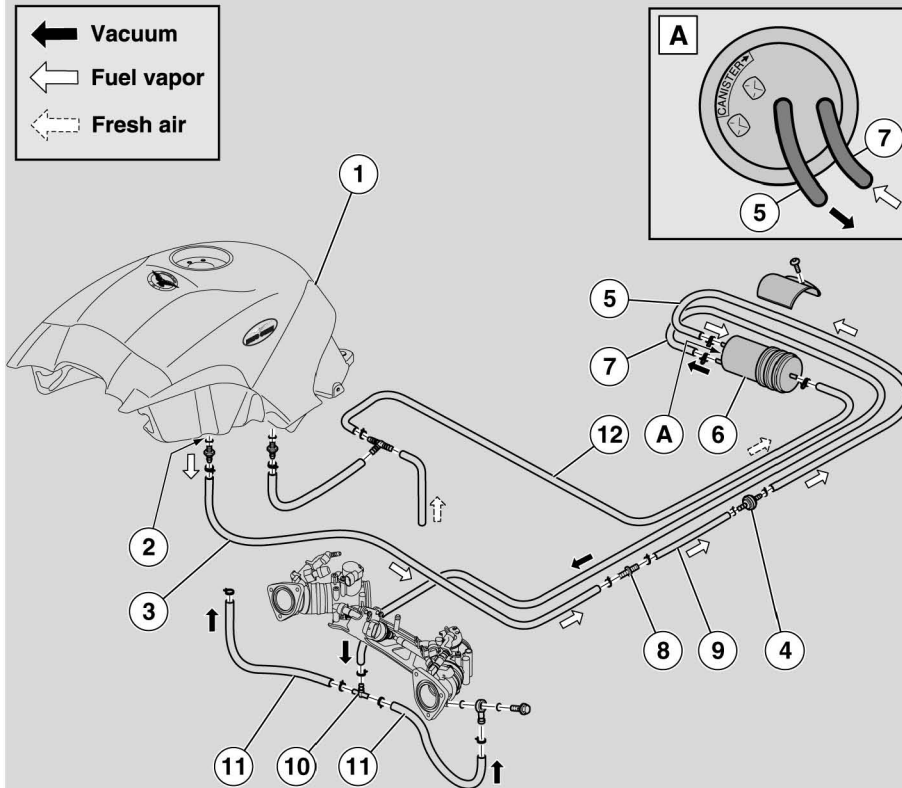
23826 Mandello del Lario (LECCO) Italia

**Moto Guzzi USA**

140 East 45th Street, 17th Floor

New York, NY 10017

USA



01\_16

### California evaporative emission system (01\_16)

Key:

- 1. Fuel tank

2. Fuel tank joints
3. Fuel tube
4. Pressure valve
5. Canister tube
6. Carbon filter
7. Vent tube
8. Two-way joint
9. Fuel tube
10. Three-way joint
11. Vent tube
12. Fuel tube

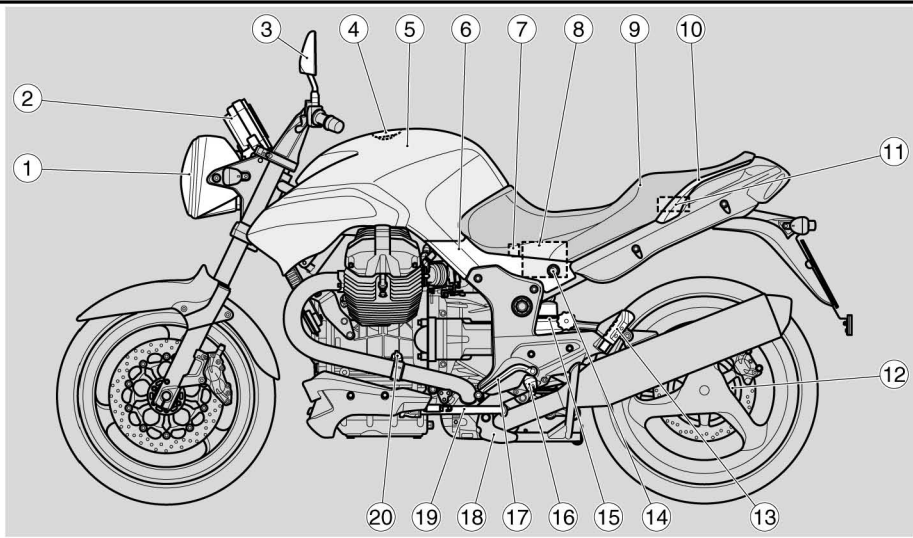
**NOTE**

**IN CASE OF SYSTEM MALFUNCTION CONTACT AN Official Moto Guzzi Dealership**

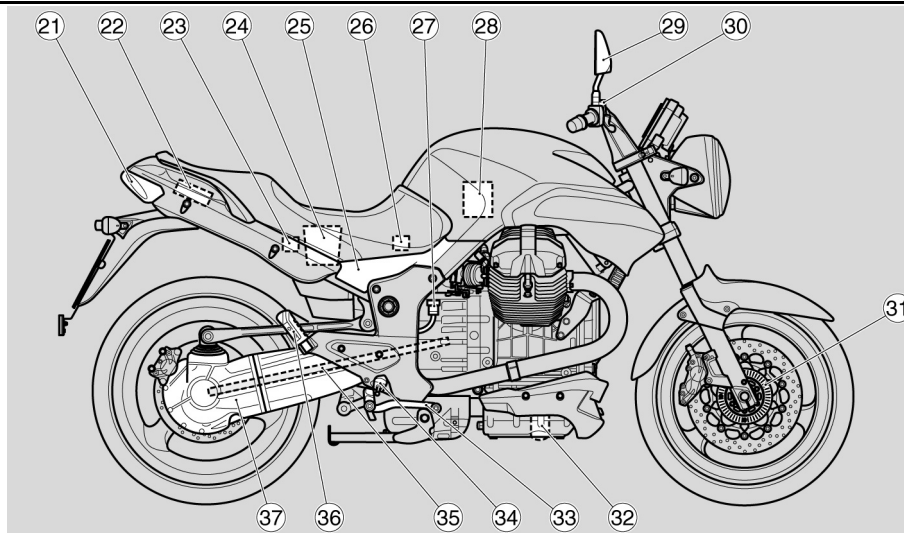
# Breva V1100



**Chap. 02**  
**Vehicle**



02\_01



02\_02

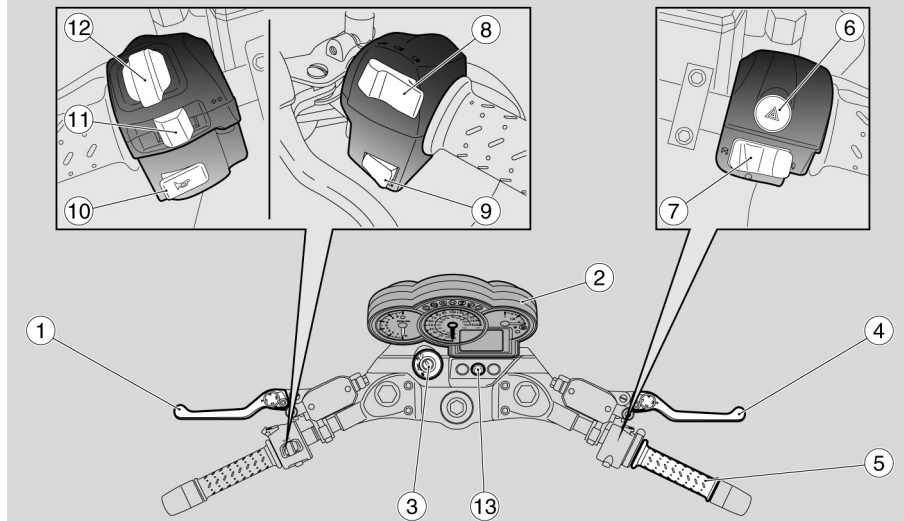
## Arrangement of the main components (02\_01, 02\_02)

### Key:

1. Head light
2. Instrument panel
3. Left rearview mirror
4. Fuel tank cap
5. Fuel tank
6. Left side body panel
7. ABS fuse holder (where provided)
8. Battery
9. Driver/passenger seat
10. Passenger grab strap

11. Tool compartment
12. Rear ABS speed sensor (where provided)
13. Left passenger footrest
14. Saddle compartment keyhole
15. Rear shock absorber
16. Left driver's footrest
17. Gear shift lever
18. Center stand (where provided)
19. Side stand
20. Motor oil dipstick
21. Rear light assembly
22. Glove compartment
23. Secondary fusebox
24. Glove compartment
25. Right side fairing
26. Main fuse box (30A)
27. Rear brake fluid tank
28. Air filter
29. Right rearview mirror
30. Front brake fluid tank
31. Front ABS speed sensor (where provided)
32. Engine oil filter
33. Rear brake control lever
34. Right driver's footrest
35. Cardan shaft transmission
36. Right passenger footrest
37. Single-sided swingarm





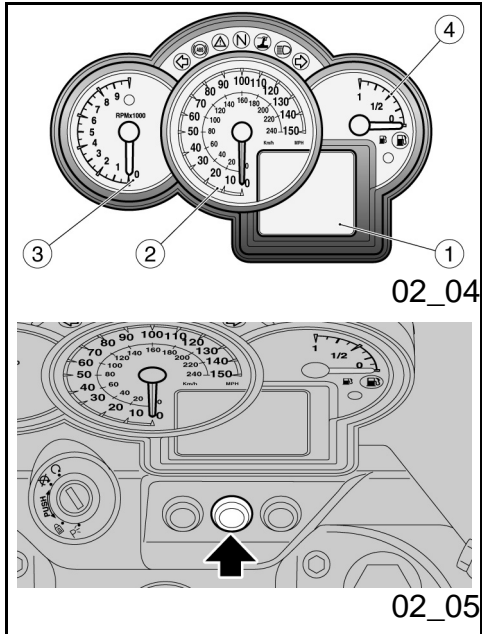
02\_03

## Dashboard (02\_03)

### Key - location of instruments/gauges

1. Gear shift lever
2. Instruments and gauges
3. Ignition/steering lock switch
4. Front brake lever
5. Throttle grip
6. Hazard lights button
7. Ignition and engine stop switch
8. Light switch
9. Heated handgrips activation/deactivation button (where provided)
10. Horn button
11. Turn indicator switch

12. MODE switch
13. ABS deactivation button (where provided)



## Analog instrument panel (02\_04, 02\_05)

### Key:

1. Multifunction digital display (clock, ambient temperature, odometer, dashboard control unit, chronometer, warning lights, scheduled maintenance indicator)
2. Speedometer
3. RPM Indicator
4. Fuel gauge

### ABS DEACTIVATION BUTTON (where provided)

To deactivate the system, use the following instructions:

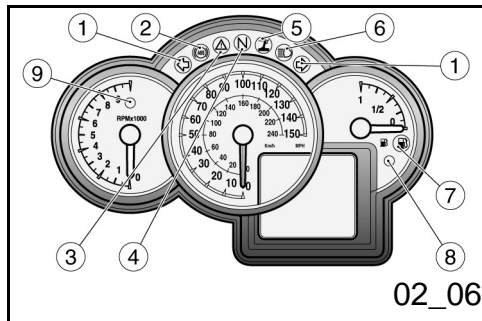
- Turn the ignition switch to the "ON" position.
- Push in and hold down the button.  
After about three seconds the ABS light on the instrument panel will begin to flash.
- Immediately release the button.
- At this point the ABS light on the panel will continue to flash slowly; the ABS system is completely deactivated.

To reactivate the ABS system:

- Stop the vehicle and turn off the engine, turning the ignition switch to "OFF."
- Turn the ignition switch back to "ON" and start the engine.
- Once the vehicle begins to move the ABS system will reactivate after the vehicle's speed exceeds 5 km/h (3.1 mi/h).



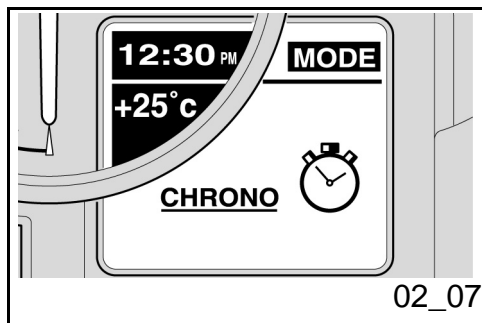
**IN CASE OF PROBLEMS OR WITH THE ABS DEACTIVATED, THE MOTORCYCLE WILL REACT AS IF IT WAS NOT EQUIPPED WITH AN ABS SYSTEM.**



## Light unit (02\_06)

**Key:**

1. Turn signal light, green
2. ABS light, amber
3. Alarm light, red
4. Neutral indicator warning light, green
5. Side stand light, amber
6. High beams light, blue
7. Fuel reserve warning light, amber
8. Antitheft alarm light, red
9. Gear shift light, red



## Setting the chronometer function (02\_07, 02\_08)

### CHRONOMETER

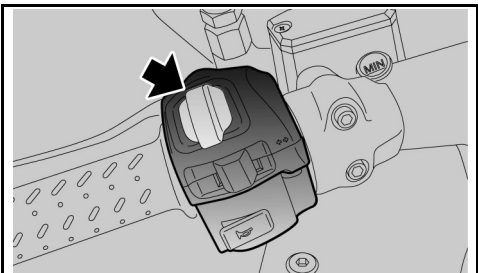
The chronometer allows you to measure and record lap-time while on a racetrack, allowing you to then examine the data later.

To activate the CHRONOMETER function:

- Confirm the CHRONO selection by pressing the SET button for a long time.

The display will show the following options:

-EXIT

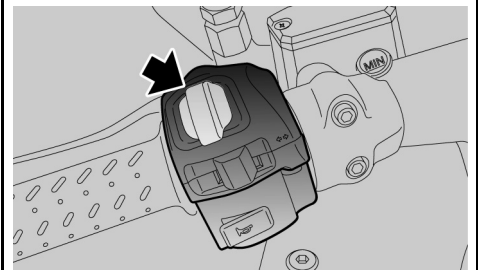


02\_08

- TIME KEEPING
- VIEW TIMES
- DELETE TIMES;

These options can be chosen in sequence by briefly pressing the SET button.

- To exit from this function, use the SET button to choose the EXIT option by pressing and holding it.



02\_09

### TIME KEEPING

To activate the TIME KEEPING function:

Confirm the TIME KEEPING function by pressing and holding the SET button.

The display will show the current measurement and the three preceding. On the left of the measurements the session number is indicated.

To begin time keeping:

- Press the SET button briefly.

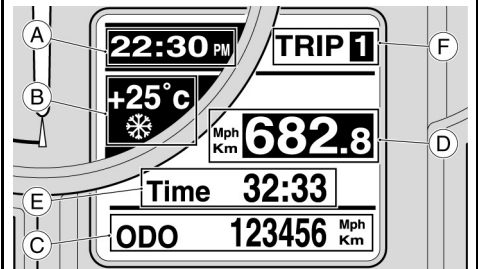
Continuing to press the SET button for the first 10 seconds from the beginning of the time keeping will bring the chronometer back to zero.

After this period of time, pressing the button again will cause it to record the date and the next time keeping session will begin.

Pressing and holding the SET button will cause the measurement to be erased, and the counter will return to zero. To restart the session, press the SET button briefly.

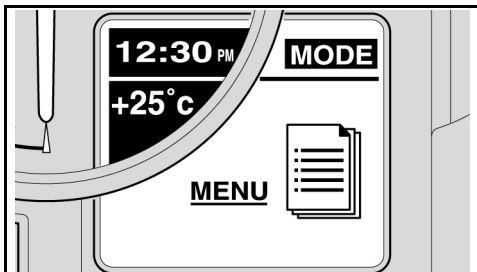
To return to the CHRONOMETER function:

- Press and hold the SET button.



02\_10

### IMPORTANT



02\_11

THE CHRONOMETER CAN MEMORIZE A MAXIMUM OF 40 SESSIONS. ADDITIONAL MEASUREMENTS ARE ONLY POSSIBLE WHEN OTHER MEASUREMENTS ARE ERASED.

WHEN THE KEY IS REMOVED, DATA RECORDING STOPS. THE NEXT TIME THE KEY IS INSERTED THE DISPLAY WILL NOT RETURN TO THE CHRONOMETER FUNCTION, BUT THE DATA WILL REMAIN IN THE MEMORY. FOR THIS REASON, NEW DATA WILL BE RECORDED FOLLOWING EARLIER MEASUREMENTS. MEMORIZED DATA WILL BE LOST IF THE BATTERY IS REMOVED.

#### view times

This function allows you to visualize the measurements made with the chronometer.

To activate the VIEW TIMES option:

- Confirm the VIEW TIMES selection by pressing the SET button for a long time.

To scroll down the measurements page:

- Press the SET button briefly.

To return to the CHRONOMETER function:

- Press and hold the SET button.

#### DELETE TIMES

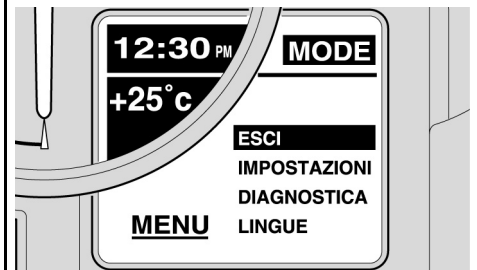
This function erases the measurements made with the chronometer.

To erase the measurements:

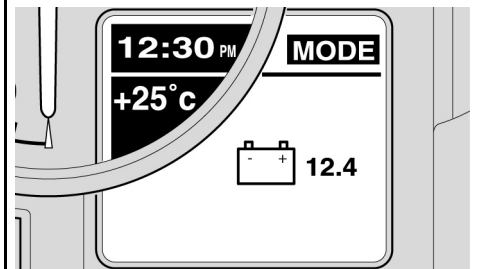
- Press and hold the SET button.

The cancellation must be confirmed twice.

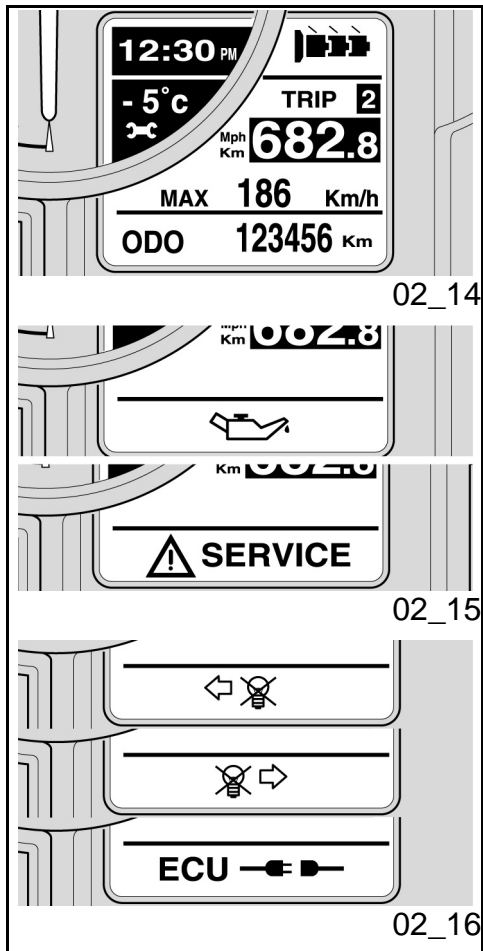
At the end of the operation, the display will return to the CHRONOMETER function.



02\_12



02\_13



## Control buttons (02\_09, 02\_10)

- Move the selector right (UP) or left (DOWN) to scroll through the MENU options.
- Press the selector to confirm your selection.

When you turn the ignition key to "ON," the Moto Guzzi logo will appear on the display for two seconds.

After this initial screen, the configuration currently selected will be displayed.

The commands that can be chosen are:

- TRIP 1
- TRIP 2
- MODE

The following information is always displayed:

- CLOCK (zone A)
- AMBIENT TEMPERATURE (zone B) (when the temperature is below 37°F (3°C), an ice symbol will appear under the number)
- Configuration currently chosen (zone F) (TRIP 1, TRIP 2 or MODE).

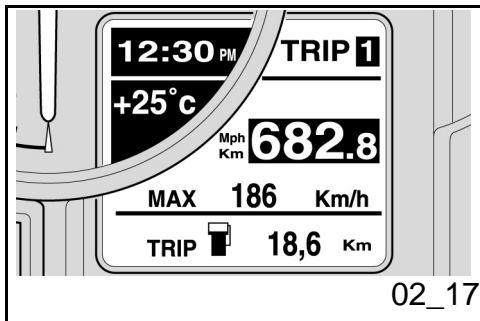
The other sectors display information that varies based on the configuration chosen.

### TRIP 1 AND 2

In the TRIP 1 and 2 configurations, the data for trips 1 and 2 will be displayed.

To select TRIP 1 or TRIP 2:

- Move the selector to UP or DOWN, maintaining pressure for at least two seconds,



and repeat this operation until the TRIP configuration is displayed.

In the lower zone C the ODOMETER is always displayed, regardless of the TRIP selected. The configuration selected is displayed in zone F. In the central zone D the partial distance is always displayed. In zone E the following information is displayed:

- TRIP TIME;
- FUEL CONSUMED DURING TRIP;
- INSTANT FUEL CONSUMPTION;
- MAXIMUM SPEED;
- AVERAGE SPEED;

The information can be chosen following this sequence by pressing the selector briefly in the UP or DOWN position.

To reset the TRIP data to zero

- Press and hold the selector button.

When the option of heated handles is present (where provided) and active, an icon to indicate this will appear in the TRIP position, while the TRIP data will be displayed in the zone underneath. The icon displays the three heating levels.

The MODE configuration includes various functions that allow the user to interact with the system.

To enter into the MODE function

- Move the selector into the UP or DOWN position, maintaining pressure for at least two seconds, and repeat this operation until the MODE configuration is displayed.

Moving the selector to the UP or DOWN position briefly, the following functions will display in order:

- CHRONOMETER;

- MENU (this function is not available when the vehicle is moving);
- BATTERY VOLTAGE;

## **Advanced functions (02\_11, 02\_12, 02\_13, 02\_14, 02\_15, 02\_16, 02\_17)**

### **MENU**

This function can only be selected with the vehicle stationary. It allows you to see the various configurations' settings.

To access the MENU function's properties:

With the MODE configuration displayed, confirm your selection on the MENU by pressing and holding the SET button.

The display will show the following options:

- EXIT
- SETTINGS
- DIAGNOSTICS (this function is only accessible to authorized personnel)
- LANGUAGE;

These options can be chosen in sequence by briefly pressing the SET button.

This function allows you to select and personalize the way you visualize the given parameters of the various configurations.

To access the SETTINGS function:

Confirm the SETTINGS selection by pressing and holding the SET button.

The display will show the following options:



- EXIT
- TIME SETTING
- GEAR SHIFT INDICATOR
- BACK LIGHTING
- °C/°F
- KM/MILES
- 12H/24H
- LED IMMOBILIZER
- CHANGE THE CODE

These options can be chosen in sequence by briefly pressing the SET button.

### **TIME SETTING**

You can use this function to set the time on the clock.

To access the TIME SETTING function:

- Confirm the selection of TIME SETTING by pressing and holding the SET button.

To set the hour:

- Every time you briefly press the SET button, the hour will go up by one.
- Pressing the SET button for a longer time, will cause it to pass to minutes. Again, every time you briefly press the button, the minutes will go up by one.

To save the time set and return to the SETTINGS function:

- Press and hold the SET button.

### **GEAR SHIFT THRESHOLD**

This function allows you to set the gear shift threshold values.

To access the GEAR SHIFT THRESHOLD function:

- Confirm the selection of GEAR SHIFT THRESHOLD by pressing and holding the SET button.

The words GEAR SHIFT THRESHOLD will appear on the display and the threshold value currently set will appear on the RPM meter.

To set the threshold value:

- Each time you press the SET button, the threshold value will increase by 100RPM. When you reach the maximum setting, each time you press the SET button, the value will be decreased by 100RPM.

To save the threshold values set and return to the SETTINGS function:

- Press and hold the SET button.

The values set will remain until the next time you change them.

### **IMPORTANT**

**ONCE THE SET THRESHOLD IS REACHED THE RED LIGHT ON THE RPM METER WILL BEGIN TO FLASH. IN ORDER TO TURN IT OFF, IT IS NECESSARY TO BRING THE ENGINE SPEED BELOW THE THRESHOLD SET.**

### **BACK LIGHTING**

This allows you to regulate the intensity of the illumination of the instrument panel.

To access the BACK LIGHTING function:

- Confirm the BACK LIGHTING selection by pressing and holding the SET button.

The display will indicated the three possible levels of intensity:

- LOW
- MEAN

- HIGH

These levels can be chosen in sequence by briefly pressing the SET button.

To save the level set and return to the SETTINGS function:

- Press and hold the SET button.

**°C / °F**

This allows you to select the unit used to measure the temperature.

To access the °C/°F function:

Confirm the °C/°F selection by pressing and holding the SET button.

The display will show the two possible units of measure:

- °C

- °F

The units of measurement can be chosen in sequence by briefly pressing the SET button.

To save the unit of measurement set and return to the SETTINGS function:

Press and hold the SET button.

**KM / MILES**

This allows you to select the unit used to measure the vehicle's speed.

To access the KM/MILES function:

- Confirm the KM/MILES selection by pressing and holding the SET button.

The display will show the two possible units of measure.

- KM

- MILES

The units of measurement can be chosen in sequence by briefly pressing the SET button.

To save the unit of measurement set and return to the SETTINGS function:

- Press and hold the SET button.

- **12H / 24H**

This allows you to select the way in which you view the time.

To access the 12H/24H function:

- Confirm the selection of 12H/24H by pressing and holding the SET button.

The display will show the two options:

- 12H

- 24H

The two options can be chosen in sequence by briefly pressing the SET button.

To save the option chosen and return to the SETTINGS function:

- Press and hold the SET button.

### **LED IMMOBILIZER**

This function allows you to turn off/on the LED alarm located in the fuel level area. This is used in the case that you install an external antitheft device.

### **MODIFY CODE**

This allows you to change your own personal code. You will first be asked to insert the old code.

## CODE RESET

This allows you to choose a new code, if you can no longer remember the old code. You will be asked to insert 2 of the memorized keys.

## DIAGNOSTICS

This allows the possibility to interact with the motorcycle's systems and perform diagnostics on them. It can only be activated by inserting an access code that only **Moto Guzzi** Service Centers have.

## CHOOSING THE LANGUAGE

You can use this function to choose which language is used on the display.

To access the LANGUAGE function:

- Confirm the selection of LANGUAGE by pressing and holding the SET button.

The languages you can choose from are:

- ITALIANO
- ENGLISH
- FRANÇAIS
- DEUTSCH
- ESPAÑOL

The languages can be chosen in sequence by briefly pressing the SET button.

To save the language set and return to the SETTINGS function:

- Press and hold the SET button.

## **BATTERY VOLTAGE**

This function shows the battery voltage and does not permit any user interaction.

To access this function:

- In the MODE configuration, press the SET button repeatedly until the screen you desire appears.

## **SERVICE**

When it is time for scheduled periodic maintenance (after the first 625 mi/1000 km, and every 6,250 mi/10000 km after that), in the area used for the ice symbol, a key symbol will appear. If both symbols are in use, they will alternate on the display.

## **DISPLAY ALARMS**

In the case of a serious anomaly, which could compromise the integrity of the vehicle or the driver, a symbol which signals the cause will appear on the display in the area usually reserved for the odometer.

The warning lights are divided into two groups, based on their importance:

- High priority:  
Oil pressure, Electronic central unit errors, Instrument panel errors.
- Low priority:  
Turn signals, Electronic central unit disconnection.

If there are two alarms of the same priority to be displayed, the icons will alternate on the display.

High priority alarms will prevent the possibility of seeing low priority alarms.

## **RESERVE KM**

When the fuel reserve warning light is lit up continuously, the display will indicate the kilometers/miles ridden in reserve. The value will be displayed in the area where the total is usually displayed (ODOMETER).

If the motorcycle is already using the fuel reserve at engine startup, the mileage ridden in reserve will display 40 seconds after starting off, so that you can also read the total (ODOMETER).

## Ignition switch (02\_18)

The ignition switch is located on the headstock upper plate.

The vehicle is supplied with two keys (one is the spare key).

The lights switch off when the ignition switch is set to «OFF».

### NOTE

**THE KEY IS USED IN THE IGNITION/STEERING LOCK SWITCH, THE KEYHOLE FOR THE FUEL TANK CAP, AND FOR THE SADDLE COMPARTMENT.**

### NOTE

**THE LIGHTS COME ON AUTOMATICALLY AFTER THE ENGINE STARTS.**

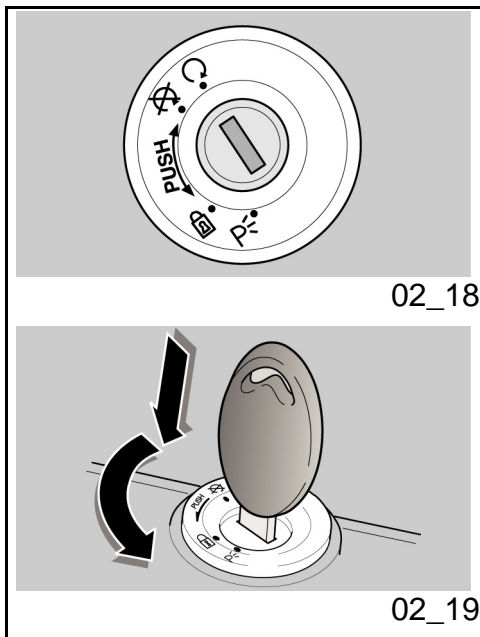
**LOCK:** The steering is blocked. It is impossible to start the engine or switch on the lights. It is possible to remove the key

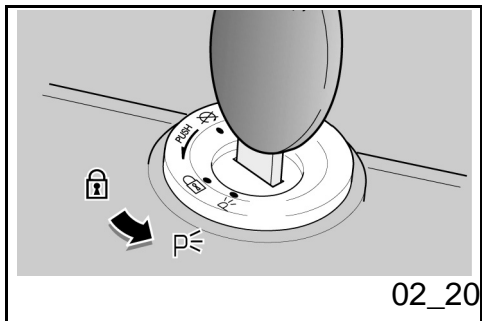
**OFF:** It is impossible to turn on the engine or the lights. It is possible to remove the key.

**ON:** The engine can be started. It is impossible to remove the key

## Locking the handlebar (02\_19)

To block the steering:





- Turn the handlebar completely to the left.
- Turn the key to «OFF».
- Push in the key and turn it counterclockwise (to the left), steer the handlebar slowly until the key is set to position «LOCK».
- Remove the key.

## Parking lights (02\_20)

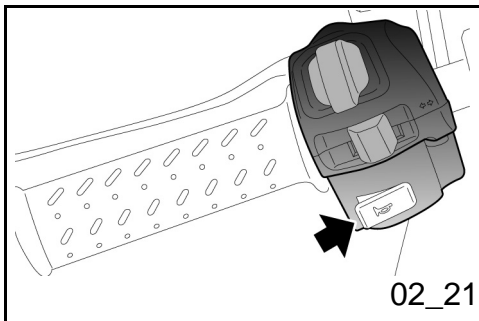
The vehicle has front and rear parking lights. It is always better to park your vehicle in appropriate areas and in any case in lighted areas. The parking lights are very useful when it is necessary to park in dark or poorly lit areas, and whenever you would like to make your vehicle more visible.

### OPERATION

To activate the parking lights:

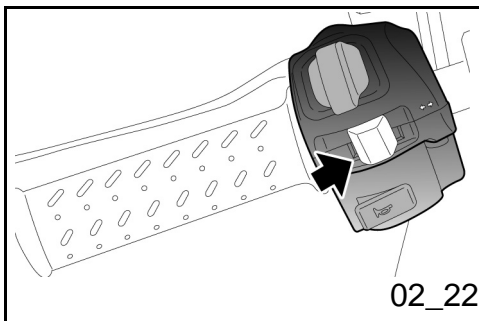
- Block the steering without removing the key.
- Turn the key to the PARKING position.
- Verify that both the front and rear parking lights are turned on.
- Remove the key.





## Horn button (02\_21)

When pressed, the horn is activated.

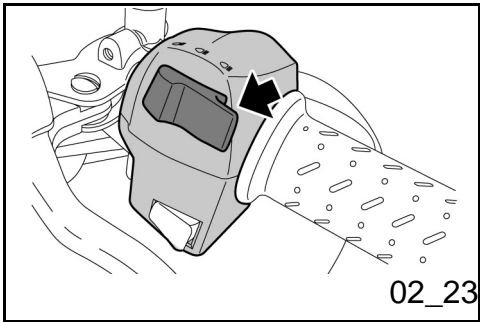


## Turn signal selector. (02\_22)

Move the switch towards the left to indicate a left turn; move the switch to the right, to indicate a right turn. Push the switch to deactivate the turn indicator.

### IMPORTANT

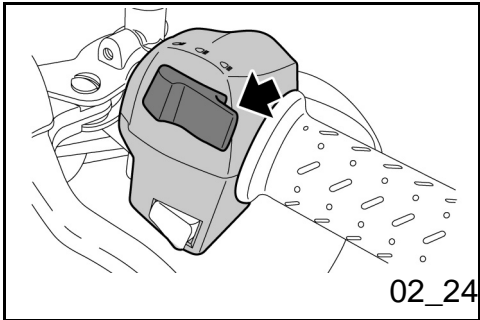
**IN THE CASE THAT THE TURN INDICATOR LIGHT BLINKS RAPIDLY, IT MEANS THAT ONE OR BOTH OF THE TURN SIGNAL LIGHTS ARE BURNT OUT.**



### High/low beam selector (02\_23)

Pushing the light switch turns on the high beam; pushing it again turns on the low beam.

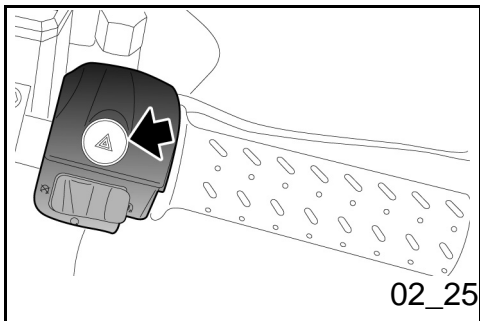
When the low beam is turned on, the position lights and the instrument panel light are also turned on.



### Passing button (02\_24)

This causes the high beam light to flash on and off in case of danger or emergency.

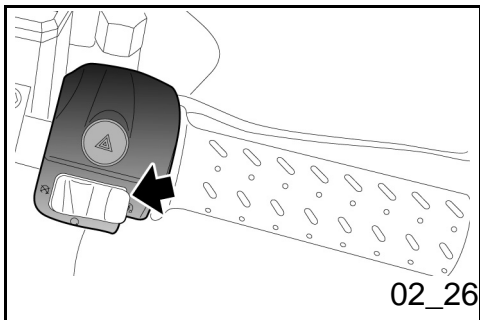
Disengaging the button deactivates the flashing of the high beam.



### Flasher button (02\_25)

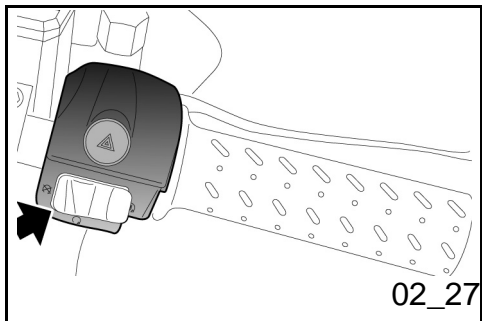
Pressing this button activates all four turn signals simultaneously and their indicators on the instrument panel. The HAZARD lights will remain active even if the key is removed, but they cannot be deactivated.

To deactivate the HAZARD lights, turn the ignition switch to "ON" and press the HAZARD button again.



### Start-up button (02\_26)

Pressing this button starts the engine.



## Engine stop switch (02\_27)

This button to stop the engine should be used only in case of emergency. It is important that you familiarize yourself with this button so that you can use it easily in case the throttle grip is blocked or there are other engine problems.



**ABRUPT OR EXCESSIVE ACCELERATION CAN CAUSE COLLISIONS WITH OTHER VEHICLES OR OVERTURNING.**

**IN THE CASE THAT THE THROTTLE GRIP IS BLOCKED OR STUCK, ALWAYS TURN OFF THE ENGINE USING THE ENGINE STOP BUTTON WHICH CAN BE FOUND ON THE RIGHT SIDE OF THE HANDLEBARS.**

**IT IS VERY IMPORTANT THAT WHEN YOU LET GO OF THE THROTTLE GRIP IT RETURNS TO THE NEUTRAL POSITION. NEVER USE THE VEHICLE IF THE THROTTLE GRIP DOES NOT AUTOMATICALLY RETURN TO THE NEUTRAL POSITION WHEN YOU LET GO OF IT.**

**CONTACT AN Official Moto Guzzi Dealership FOR REPAIRS. NOT FOLLOWING THIS ADVICE COULD LEAD TO SERIOUS ACCIDENTS CAUSING GRAVE INJURY AND EVEN DEATH.**



**NEVER USE THE ENGINE STOP BUTTON TO TURN OFF THE ENGINE WHILE THE VEHICLE IS IN MOTION.**

**IT IS POSSIBLE TO START THE ENGINE WITH THE ENGINE STOP BUTTON IN THE RELEASE POSITION. THE ENGINE CAN BE TURNED OFF BY PRESSING THE ENGINE STOP BUTTON.**



**TO TURN OFF THE VEHICLE USE ONLY THE IGNITION SWITCH.**

**LEAVE THE ENGINE STOP BUTTON IN THE RELEASE POSITION AND USE IT ONLY IN**

**CASE OF EMERGENCY. DO NOT LEAVE THE IGNITION SWITCH IN THE "KEY ON" POSITION IF BECAUSE OF AN EMERGENCY YOU USED THE ENGINE STOP BUTTON TO TURN OFF THE ENGINE. THIS RUNS DOWN THE BATTERY.**

**WHEN YOU USE THE ENGINE STOP BUTTON TO TURN OFF THE ENGINE, TURN THE IGNITION SWITCH TO "OFF."**

## **ABS system (02\_28, 02\_29)**

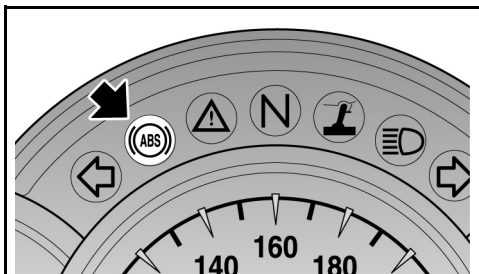
ABS is a system that prevents the wheels from becoming locked in an emergency braking situation, which increases the stability of the vehicle while braking with respect to that of a traditional braking system. In some cases, when you use the brakes, the tires may be locked with the consequence of a loss of traction, which makes it very difficult to control the vehicle. A position sensor located "reads" on the speed sensor the status of the tire, and individuates locking when it occurs. A computer controls the signal, which in turn regulates the pressure inside of the braking circuit.

### **NOTE**

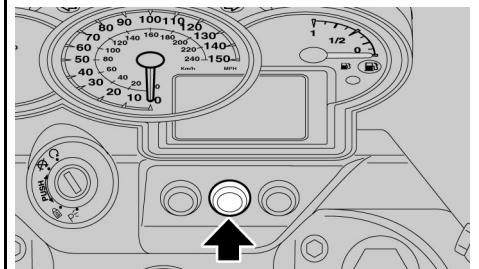
**WHEN THE ABS SYSTEM ACTIVATES YOU WILL FEEL A VIBRATION ON THE BRAKE LEVER.**



**THE ANTILOCK BRAKE SYSTEM DOES NOT ELIMINATE THE DANGER OF FALLING WHILE TURNING. EMERGENCY BRAKING WITH THE VEHICLE AT AN ANGLE, THE HANDLEBARS TURNED, WHEELS NOT FULLY IN CONTACT WITH THE ROAD, ON SLIPPERY ROADS OR IN CONDITIONS WITH POOR TRACTION CREATES CONDITIONS OF INSTABILITY THAT ARE DIFFICULT TO CONTROL. FOR THIS REASON PRUDENT AND AWARE DRIVING AND GRADUAL BRAKING ARE RECOMMENDED. DO NOT RIDE IMPRUDENTLY PUTTING FAITH IN AN ILLUSORY SAFETY. BRAKING WHILE TURNING IS SUBJECT TO CERTAIN LAWS OF PHYSICS WHICH AN ABS SYSTEM DOES NOT ELIMINATE.**



02\_28



02\_29

At engine startup the ABS light will remain lit until the vehicle exceeds 3.1 mph (5 km/h). If the light remains lit permanently, this indicates that there has been a malfunction and the ABS is deactivated.

**NOTE**

**IN THIS CASE CONTACT AN OFFICIAL Moto Guzzi DEALERSHIP.**

**Driving with the ABS system active**

The light remains unlit

If there is a malfunction, the light will turn on and remain lit to indicate the anomaly. The ABS system will be deactivated automatically.

**NOTE**

**IN THIS CASE CONTACT AN OFFICIAL Moto Guzzi DEALERSHIP.**

**Driving with the ABS system inactive**

The light will flash when the system has been voluntarily turned off.

**Deactivation of the ABS system**

It is possible to deactivate the ABS system using the switch.

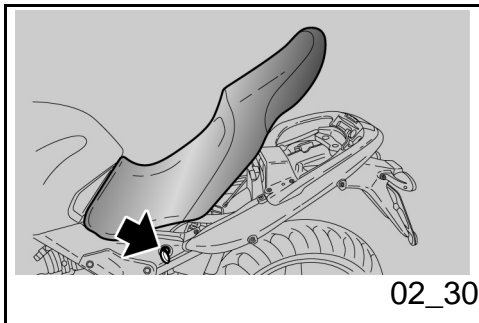


**YOUR MOTORCYCLE HAS TWO-CHANNEL ABS. THIS SYSTEM WORKS ON BOTH THE FRONT AND REAR WHEELS. IT IS IMPORTANT TO ALWAYS CHECK THAT THE ABS**

WHEELS ARE CLEAN, AND ALSO PERIODICALLY CHECK THAT THE DISTANCE FROM THE SENSOR IS CONSTANT FOR ALL 360 DEGREES. IN THE CASE OF REMOVING AND REPLACING THE FRONT WHEEL, IT IS VERY IMPORTANT TO RECHECK THAT THE DISTANCE BETWEEN THE ABS WHEEL AND THE SENSOR IS THAT INDICATED. TO CHECK AND REGULATE THIS CONTACT AN OFFICIAL AUTHORIZED Moto Guzzi SERVICE CENTER.



THE INCLUSION OF AN ABS SYSTEM MEANS THAT BRAKE PADS USING NON-APPROVED FRICTION MATERIAL COULD IMPACT NEGATIVELY ON BRAKING PERFORMANCE, DRASTICALLY DIMINISHING RIDING SAFETY.



## Opening the saddle (02\_30)

- Place the vehicle on the stand.
- Insert the key in the saddle compartment keyhole.
- Turn the key clockwise, lift up and pull the seat back.

### To lock the seat:

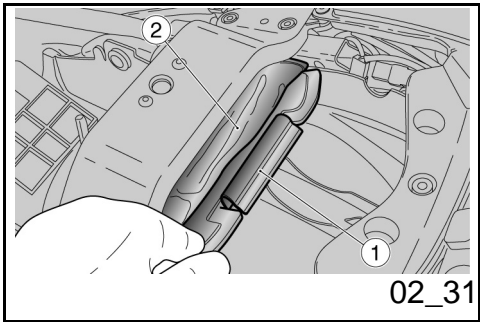
- Place the front part of the seat in position, and then lower the rear part.
- Push down on the rear part until you hear the lock click.

### IMPORTANT

**BEFORE LOWERING AND LOCKING THE SEAT, MAKE SURE THAT YOU HAVE NOT LEFT THE KEY IN THE GLOVE AND TOOL KIT COMPARTMENTS.**



**BEFORE YOU BEGIN RIDING, MAKE SURE THAT THE SEAT IS CORRECTLY LOCKED IN PLACE.**



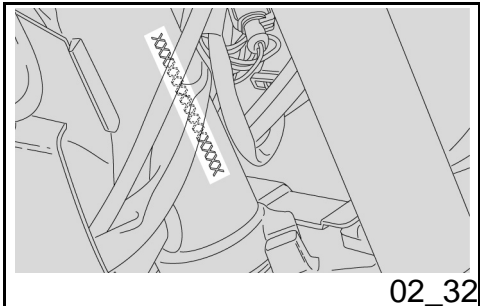
## Glove/tool kit compartment (02\_31)

To access the glove compartment:

- Remove the saddle.

To access the tool kit compartment:

- Remove the cover (1).
- Remove the bag (2) from its post.



## The identification (02\_32, 02\_33)

It is a good idea to write down the frame and engine number in the relevant area of this booklet. The chassis number is handy when purchasing spare parts.

### IMPORTANT

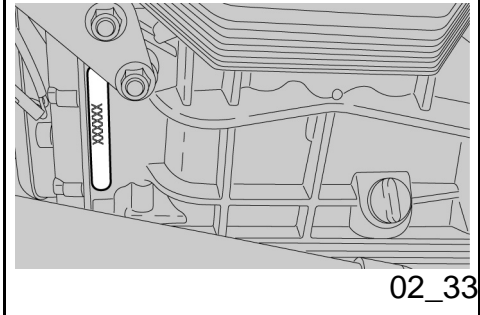


**CHANGING IDENTIFICATION NUMBERS IS AN OFFENSE WHICH CAN RESULT IN SEVERE CRIMINAL AND ADMINISTRATIVE CHARGES. ANY CHANGE TO THE CHASSIS NUMBER IN PARTICULAR MAKES THE WARRANTY NULL AND VOID**

### CHASSIS NUMBER

The chassis number is stamped on the right side of the headstock.

Chassis No. ....



### ENGINE NUMBER

The engine number is printed on the base of the left side engine crankcase.



Engine No. ....

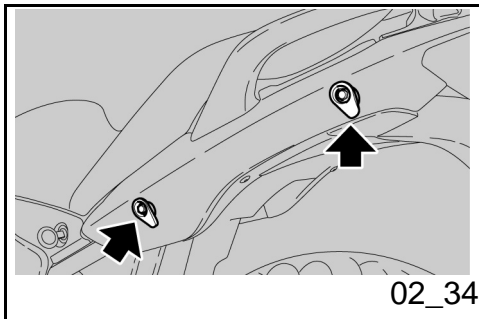
## Luggage anchor point (02\_34)

It is possible to attach a small bag above the rear part of the seat, using elastics to attach it to the four hooks (two on each side).

**Maximum weight allowed: 11 lb (5 kg).**

### IMPORTANT

**THE BAG MUST BE OF APPROPRIATE DIMENSIONS AND BE ANCHORED STABLY.**

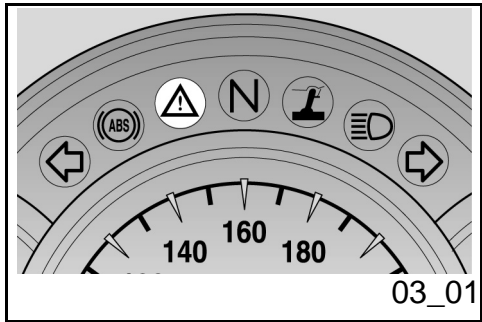




# Breva V1100



**Chap. 03**  
**Use**



## Checks (03\_01)

### IMPORTANT

**ALWAYS CARRY OUT PRE-RIDE CHECKS BEFORE SETTING OFF, IN ORDER TO ENSURE CORRECT AND SAFE OPERATION. FAILURE TO DO SO MAY LEAD TO SEVERE INJURY OR VEHICLE DAMAGE. IF YOU ARE NOT CLEAR ABOUT THE OPERATION OF VEHICLE CONTROLS OR BELIEVE THAT ANY COMPONENTS MAY BE MALFUNCTIONING, DO NOT HESITATE TO CONTACT AN OFFICIAL MOTO GUZZI DEALERSHIP. THE TIME REQUIRED TO CARRY OUT A CHECK IS EXTREMELY SHORT BUT RESULTS IN A SIGNIFICANT INCREASE IN SAFETY.**



**IF THE ALARM LIGHT AND THE DIAGNOSTIC ICON "SERVICE" LIGHT UP WHILE THE ENGINE IS FUNCTIONING NORMALLY, IT MEANS THAT THE ELECTRONIC CENTRAL UNIT HAS FOUND AN ANOMALY.**

**IN MANY CASES THE ENGINE MAY CONTINUE TO PERFORM, BUT WITH REDUCED PERFORMANCE; CONTACT AN Official Moto Guzzi Dealership IMMEDIATELY, IN ORDER TO PERFORM THE SERVICES INDICATED ON THE PERIODIC MAINTENANCE SCHEDULE.**

This button to stop the engine should be used only in case of emergency. It is important that you familiarize yourself with this button so that you can use it easily in case the throttle grip is blocked or there are other engine problems.



**ABRUPT OR EXCESSIVE ACCELERATION CAN CAUSE COLLISIONS WITH OTHER VEHICLES OR OVERTURNING.**

**IN THE CASE THAT THE THROTTLE GRIP IS BLOCKED OR STUCK, ALWAYS TURN OFF THE ENGINE USING THE ENGINE STOP BUTTON WHICH CAN BE FOUND ON THE**

**RIGHT SIDE OF THE HANDLEBARS.**

**IT IS VERY IMPORTANT THAT WHEN YOU LET GO OF THE THROTTLE GRIP IT RETURNS TO THE NEUTRAL POSITION. NEVER USE THE VEHICLE IF THE THROTTLE GRIP DOES NOT AUTOMATICALLY RETURN TO THE NEUTRAL POSITION WHEN YOU LET GO OF IT.**

**CONTACT AN Official Moto Guzzi Dealership FOR REPAIRS. NOT FOLLOWING THIS ADVICE COULD LEAD TO SERIOUS ACCIDENTS CAUSING GRAVE INJURY AND EVEN DEATH.**

This vehicle is capable of individualizing malfunctions and recording them on the electronic central unit.

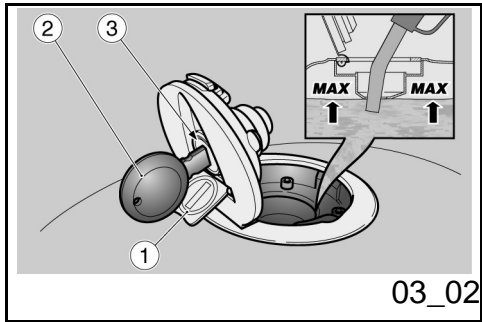
Whenever the ignition switch is turned to "ON," the LED warning light on the instrument panel should turn on for approx. three seconds.

### **PRE-RIDE CHECKS**

<b>Specification</b>	<b>Desc./Quantity</b>
Front and rear disc brake	Check for proper operation. Check brake lever play and brake fluid level. Check for leaks. Check for brake pad wear. If needed, add brake fluid.
Throttle grip	Ensure that it turns smoothly and can be opened and closed fully, in all steering positions. Adjust and/or lubricate if needed.

Engine oil	Check and/or top up as required.
Wheels/tires	<p>Check tire surface and inflation pressure. Check for wear and damage.</p> <p>Remove any foreign bodies that may have become lodged in the thread's grooves.</p>
Brake levers	<p>Check that they work smoothly.</p> <p>Lubricate the joints and adjust the stroke if necessary.</p>
Clutch	<p>Check for proper operation.</p> <p>Check clutch lever play and fluid level. Check for leaks. If needed, add fluid; the clutch must work without gripping and/or sliding.</p>
Steering	<p>Check that the rotation is continuous, smooth, without backlash and/or loosening.</p>
Central and side stands	<p>Check their operation. Check that there is no friction when the side stand is pulled up and down and that the spring's tension makes it snap back to its rest position.</p> <p>Lubricate joints and couplings as required. Check that the safety switch is functioning correctly.</p>
Fasteners	

	<p>Check that fasteners are properly tightened.</p> <p>Adjust or tighten them as required.</p>
Fuel tank	<p>Check the level and refuel as required.</p> <p>Check any leaks or clogging of the circuit.</p> <p>Check that the tank cover closes correctly.</p>
Engine stop switch (ON - OFF)	<p>Check for correct operation.</p>
Lights, warning lights, horn, rear brake light switches and electrical devices	<p>Check for correct operation of the horn and lights. Replace the bulbs or repair any malfunctions.</p>
Transmission fluid - Guzzi	<p>Check. If a top up is necessary, contact an authorized <b>Moto Guzzi</b> service center.</p>
Speed sensors (only for vehicles equipped with an ABS system)	<p>Check that the speed sensors are perfectly clean</p>



## Refueling (03\_02)

### IMPORTANT

**GASOLINE IS EXTREMELY FLAMMABLE AND UNDER CERTAIN CONDITIONS CAN BECOME EXPLOSIVE.**

**FOR THIS REASON IT IS NECESSARY TO FILL THE VEHICLE WITH GASOLINE AND PERFORM MAINTENANCE OPERATIONS WHICH INVOLVE THE FUEL SYSTEM IN AN AREA THAT IS WELL VENTILATED, AND WITH THE ENGINE TURNED OFF.**

**DO NOT REFUEL YOUR VEHICLE WITH GASOLINE OR PERFORM MAINTENANCE OPERATIONS WHILE THE ENGINE IS ON.**

**DO NOT SMOKE WHILE REFUELING OR NEAR DANGEROUS VAPORS. NEVER LET GASOLINE ENTER INTO CONTACT WITH FLAMES, SPARKS OR OTHER SOURCES OF HEAT. AVOID LETTING GASOLINE SPILL WHILE REFUELING. THE SPLASHES OF GASOLINE COULD LIGHT ON FIRE IF IT COMES IN CONTACT WITH THE HOT ENGINE OR EXHAUST SYSTEM SURFACES. IF YOU ACCIDENTALLY SPILL GASOLINE, MAKE SURE THAT IT HAS DRIED OR COMPLETELY EVAPORATED BEFORE YOU START YOUR VEHICLE.**

**AVOID TOUCHING GASOLINE WITH YOUR SKIN, AND AVOID BREATHING THE VAPORS FROM THE GASOLINE.**

**NEVER ATTEMPT TO SIPHON GASOLINE FROM ONE CONTAINER TO ANOTHER USING YOUR MOUTH AS A MEANS OF TRANSFER. USE A MANUAL PUMP OR A SIMILAR TOOL.**

### IMPORTANT

**GASOLINE IS POISONOUS AND CARCINOGENIC AND CONTAINS CHEMICAL SUBSTANCES THAT CAUSE BIRTH DEFECTS.**

**IF YOU ACCIDENTALLY SPILL GASOLINE ON YOUR SKIN OR YOUR CLOTHES, CHANGE YOUR CLOTHES AND IMMEDIATELY WASH YOUR SKIN WITH SOAP AND WATER.**

**IF GASOLINE SHOULD ACCIDENTALLY COME INTO CONTACT WITH YOUR EYES, RINSE THEM WITH LOTS OF WATER AND CONTACT A DOCTOR IMMEDIATELY. IF**



**YOU ACCIDENTALLY INGEST GASOLINE, DO NOT INDUCE VOMITING. DRINK A LARGE GLASS OF MILK OR WATER AND CONSULT A DOCTOR IMMEDIATELY.**

**IF YOUR VEHICLE FLIPS OVER IT MAY LEAK GASOLINE, WHICH IS EXTREMELY FLAMMABLE. FLAMES AND SPARKS MAY CAUSE SERIOUS FIRES WHICH MIGHT DESTROY NOT ONLY YOUR VEHICLE, BUT ARE ALSO EXTREMELY DANGEROUS FOR OTHER VEHICLES AND BUILDINGS IN THE SURROUNDING AREA, AND COULD ALSO CAUSE GRAVE INJURY AND EVEN DEATH.**

**KEEP GASOLINE OUT OF REACH OF CHILDREN. DISPOSE OF IT IN THE CORRECT MANNER, DO NOT DUMP IT INTO THE SEWER SYSTEM, IN THE SINK, OR IN THE BATHROOM.**

**USE ONLY UNLEADED GASOLINE, WITH A MINIMUM OCTANE LEVEL OF 90.**

**To refuel:**

- Lift up the lid (1).
- Insert the key (2) into the keyhole on the fuel tank cap (3).
- Turn the key clockwise, pull and open the fuel tank cap.
- Refuel.

#### **IMPORTANT**



**DO NOT ADD ADDITIVES OR OTHER SUBSTANCES TO THE GASOLINE.**

**IF YOU USE A FUNNEL OR ANOTHER IMPLEMENT, MAKE SURE THAT THEY ARE PERFECTLY CLEAN.**



**DO NOT FILL THE TANK COMPLETELY; THE MAXIMUM GASOLINE LEVEL SHOULD REMAIN UNDER THE LOWER EDGE OF THE FILLER NECK (SEE FIGURE).**

## **Characteristic**

### **Fuel tank**

41.8 pt (23 l) (including reserve)

### **Fuel tank reserve**

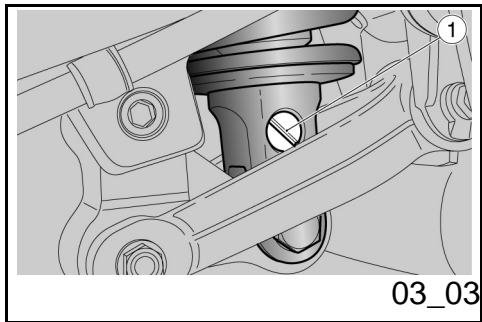
7.3 pt (4 l)

### **when refueling is finished:**

- The cap can only be closed with the key (2) inserted.
- With the key (2) inserted, reclose the cap, pressing down on it.
- Take the key (2) out.
- Reclose the cover (1).



**MAKE SURE THAT THE CAP IS CLOSED CORRECTLY.**



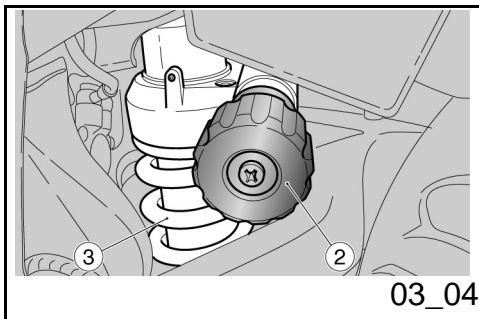
## **Rear shock absorbers adjustment (03\_03, 03\_04)**

The rear suspension consists of a spring and shock-absorber group, linked to the frame via silent-block and the rear fork levers.

In order to adjust the vehicle's set up, the shock absorber is provided with:

- one set screw (1) to adjust rebound damping;
- one knobbed screw (2) to adjust spring (3) preloading .

### **REAR SHOCK ABSORBER ADJUSTMENT**



The standard setting of the rear shock absorber is adjusted so as to satisfy all main high and low speed riding conditions, for transportation of the driver with baggage.

It is at any rate possible to insert personal settings, depending on vehicle usage.



**BEFORE ADJUSTING THE SCREWS, WAIT UNTIL THE ENGINE AND THE EXHAUST SILENCER HAVE COMPLETELY COOLED.**

### ADJUSTMENT SETTING

Standard setting

- driver only.

Medium load setting:

- (for example, driver with passenger, or with baggage).

Maximum load setting:

- (for example, driver, passenger, and baggage).

### IMPORTANT

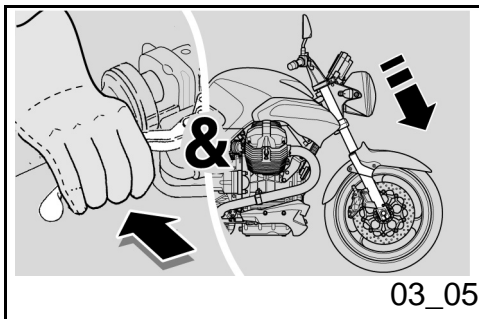
**ADJUST THE SPRING PRELOADING AND THE REBOUND DAMPING OF THE SHOCK ABSORBERS BASED ON THE VEHICLE'S USAGE. IF YOU INCREASE THE SPRING PRELOADING, IT IS NECESSARY TO ALSO INCREASE THE SHOCK ABSORBERS' REBOUND DAMPING, IN ORDER TO AVOID SUDDEN JOLTS WHILE DRIVING. IN CASE OF NEED, CONTACT AN OFFICIAL Moto Guzzi DEALERSHIP. ROAD TEST THE VEHICLE REPEATEDLY UNTIL YOU FIND THE OPTIMUM SETTING.**

### SHOCK ABSORBER SETTING TABLE

The calibration for the standard suspension settings are factory-set.

## **REAR SHOCK ABSORBER ADJUSTMENT**

<b>Specification</b>	<b>Desc./Quantity</b>
Preloading - normal load conditions	8 clicks from completely unwound (soft)
Preloading - medium load conditions	35 clicks from completely unwound (soft)
Preloading - maximum load conditions	completely tightened
Damping - normal load conditions	14 clicks starting from the screw (1) completely closed
Damping - medium load conditions	11 clicks starting from the screw (1) completely closed
Damping = maximum load conditions	8 clicks starting from the screw (1) completely closed



## Front fork adjustment (03\_05)

With the front brake lever engaged, press on the handlebar repeatedly to make the fork go down. The ride should be smooth and there should not be traces of oil on the valve stems.

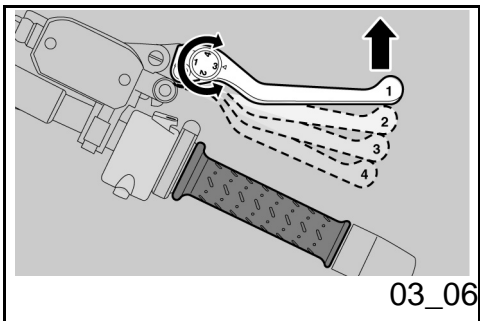
Check the fastening of all parts and that the articulation of the front and rear suspension is properly functioning.

### FORK ADJUSTMENT

The calibration for normal weight loads are factory-set.

### FORK ADJUSTMENT

Specification	Desc./Quantity
Fork - Preloading - normal load conditions	8.5 turns from completely tightened
Fork - Preloading - medium load conditions	8.5 turns from completely tightened
Fork - Preloading - maximum load conditions	8.5 turns from completely tightened



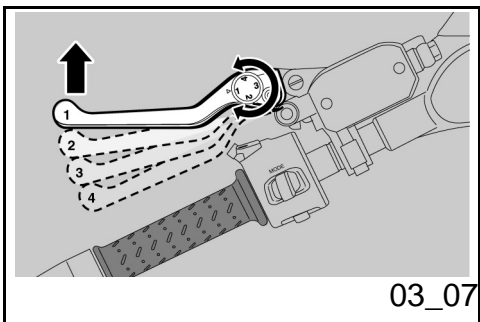
## Front brake lever adjustment (03\_06)

It is possible to adjust the distance between the ends of the two levers by rotating the screw.

The positions "1" and "4" indicate respectively a distance of approximately 4.13 - 3.35 in (105 - 85 mm) between the ends of one lever and the other

The positions "2" and "3" indicate intermediate distances.

To adjust the distance: push the command lever forward and turn the screw to the desired number, using the indicator arrow.



## Clutch lever adjustment (03\_07)

It is possible to adjust the distance between the ends of the two levers by rotating the screw.

The positions "1" and "4" indicate respectively a distance of approximately 4.13 - 3.35 in (105 - 85 mm) between the ends of one lever and the other

The positions "2" and "3" indicate intermediate distances.

To adjust the distance: push the command lever forward and turn the screw to the desired number, using the indicator arrow.

## Running-In

Engine running-in is essential to preserving engine life and performance over time. Twisty roads and gradients are ideal to run in the engine, brakes and suspensions effectively. Vary your driving speed during the run-in. In this way, you allow for the work of components to be "loaded" and then "unloaded", thus cooling the engine parts.

### IMPORTANT

**IT IS POSSIBLE THAT THE CLUTCH WILL PRODUCE A SLIGHT BURNING SMELL DURING THE INITIAL PERIOD OF USE. THIS PHENOMENON IS COMPLETELY NORMAL**

**AND WILL DISAPPEAR AS SOON AS THE CLUTCH DISCS ARE RUN-IN.**

**WHILE IT IS IMPORTANT TO 'STRETCH' ENGINE COMPONENTS DURING THE RUNNING-IN, MAKE SURE NOT TO STRAIN THEM.**

#### **IMPORTANT**

**IT IS ONLY POSSIBLE TO ATTAIN YOUR VEHICLE'S BEST PERFORMANCE AFTER HAVING PERFORMED THE FIRST SCHEDULED SERVICE AFTER THE RUN-IN.**

**Follow the guidelines detailed below:**

- Do not accelerate suddenly and completely when the engine is running in a low gear, either before or after running-in.
- During the first 62 miles (100 km) step carefully on the brakes and avoid sudden and prolonged braking. This permits an adequate settling of the pad friction material on the disc brakes.



**AT THE INDICATED MILEAGE, HAVE AN OFFICIAL Moto Guzzi DEALERSHIP PERFORM THE CHECKS LISTED IN THE TABLE IN THE SECTION FOR PROGRAMMED MAINTENANCE UNDER 'END OF RUNNING-IN', IN ORDER TO AVOID DAMAGING THE VEHICLE, YOURSELF, AND OTHERS.**

## **Parking**

It is very important to select an appropriate parking spot, in compliance with road indications and the guidelines described below.

#### **IMPORTANT**

**PARK THE VEHICLE ON FIRM AND LEVEL GROUND TO PREVENT IT FROM FALLING OVER.**

**DO NOT LEAN THE VEHICLE AGAINST WALLS AND DO NOT LAY IT DOWN ON THE GROUND.**

**MAKE SURE THAT THE VEHICLE, AND IN PARTICULAR ITS HOT COMPONENTS, DO NOT COMPROMISE THE SAFETY OF ADULTS AND CHILDREN. DO NOT LEAVE THE VEHICLE UNATTENDED WITH THE ENGINE RUNNING OR WITH THE KEY IN.**

#### **IMPORTANT**

**A FALL OR EXCESSIVE TILTING OF THE VEHICLE COULD CAUSE FUEL TO SPILL.**

**THE FUEL USED TO PROPEL INTERNAL COMBUSTION ENGINES IS HIGHLY FLAMMABLE AND CAN EXPLODE UNDER CERTAIN CONDITIONS.**



**DO NOT PUT YOUR WEIGHT, NOR THAT OF A PASSENGER ON THE SIDE STAND.**

## **Catalytic silencer**

The vehicle has a metal trivalent catalytic muffler (platinum, palladium, rhodium).

This device is used to oxidize CO (carbon oxide) and the HC (uncombusted hydrocarbides) present in the exhaust fumes, respectively converting them into carbon dioxide and steam.



**AVOID PARKING YOUR VEHICLE IN DRY UNDERBRUSH OR IN AREAS ACCESSIBLE TO SMALL CHILDREN, AS THE CATALYTIC MUFFLER REACHES VERY HIGH TEMPERATURE DURING RIDING; FOR THIS REASON USE THE MAXIMUM CARE AND AVOID ANY TYPE OF CONTACT UNTIL IT HAS COMPLETELY COOLED.**

**DO NOT USE LEADED GASOLINE, AS IT LEADS TO TO THE DESTRUCTION OF THE CATALYTIC CONVERTER.**



## Stand (03\_08, 03\_09)



**THE SIDE AND CENTRAL STANDS SHOULD SWING EASILY, IF NOT, LUBRICATE THE JOINT.**

### SIDE STAND

In the case that a maneuver (for example moving the vehicle) has required the reinsertment of the stand, to reposition the vehicle on the stand, proceed as follows:

- Grip the left handle and rest your right hand on the upper rear part of the vehicle.
- Push the side stand with your right foot, opening it completely left.
- Tilt the vehicle until the stand is resting on the ground.
- Turn the handlebars completely to the

### IMPORTANT

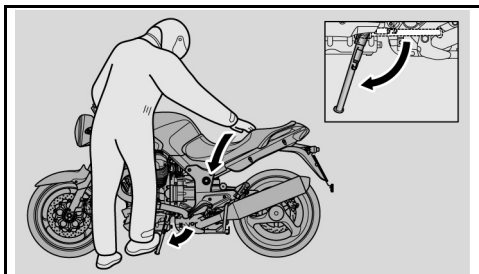
**MAKE SURE THAT VEHICLE IS STABLE.**

There is a safety cutoff switch installed on the side stand which works to impede or stop the engine from running in gear while the side stand is lowered.

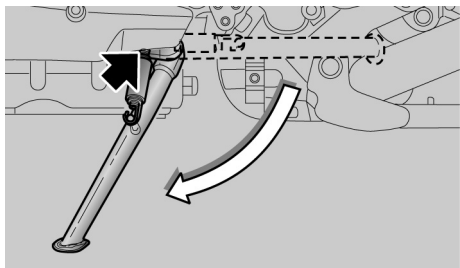
## Suggestion to prevent theft

### IMPORTANT

**IF YOU USE A DISC-LOCKING DEVICE, ALWAYS MAKE SURE THAT YOU REMOVE IT BEFORE BEGINNING TO RIDE YOUR VEHICLE. NOT RESPECTING THIS RECOMMENDATION COULD CAUSE SERIOUS DAMAGE TO THE BRAKING SYSTEM, PROVOKING ACCIDENTS, WITH CONSEQUENT SERIOUS INJURY AND EVEN DEATH.**



03\_08



03\_09

NEVER leave the ignition key in the lock and always use the steering lock. Park the vehicle in a safe place such as a garage or a place with a guard. Use, if possible, an additional antitheft device. Make sure all vehicle documents are in order and the registration fees are paid. Write down your personal details and telephone number on this page to help identifying the owner in case the motorcycle is found after a theft.

LAST NAME: .....

NAME: .....

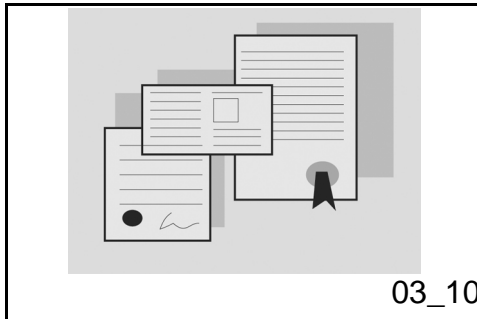
ADDRESS: .....

.....

TELEPHONE NO.: .....

**WARNING**

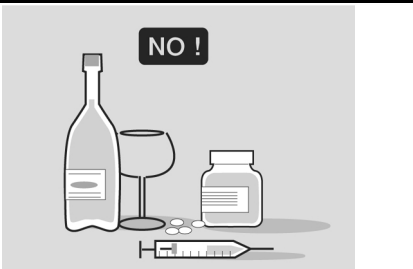
**IN MANY CASES, STOLEN VEHICLES ARE IDENTIFIED USING THE INFORMATION CONTAINED IN THE USE AND MAINTENANCE MANUAL.**



**Safe driving (03\_10, 03\_11, 03\_12, 03\_13, 03\_14, 03\_15, 03\_16, 03\_17, 03\_18, 03\_19, 03\_20, 03\_21, 03\_22, 03\_23, 03\_24, 03\_25, 03\_26, 03\_27, 03\_28, 03\_29, 03\_30, 03\_31, 03\_32)**

**BASIC SAFETY RULES**

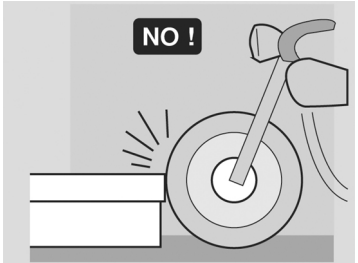
The following instructions refer to normal use of your vehicle, and should be respected. Observing these rules will allow you to increase your level of safety and that of those around you, as well as increasing the life and usefulness of your vehicle. Obviously two-wheeled vehicles do not offer any of the protection normally given by an automobile. For this reason, it is fundamental to wear the appropriate protective clothing. In particular, while riding your vehicle, you should always wear a helmet, gloves, protective glasses, along with a heavy jacket, sturdy shoes, and long, hard-wearing pants. In any case, you should always bear in mind that even the best clothing and helmet can not protect you in case of a fall or collision



03\_11



03\_12



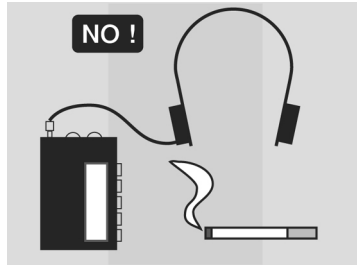
03\_13

with another vehicle. Protective clothing will protect you from scratches and abrasions, but their protective ability is minimal in the case of impact. Make sure that you have all the requirements under the law, included driver's license, minimum age, adequate instruction, insurance, taxes, registration, license plate, etc. As soon as you obtain your vehicle, familiarize yourself with it, practicing in an area with low or no traffic. Avoid riding your vehicle in areas with high levels of traffic until you have obtained an optimum level of experience and are completely sure of your riding skills. While this vehicle is sanctioned for use on highways and county roads, it is recommended that you do not ride on these types of streets until you have obtained a high level of familiarity with your vehicle and have a high level of ability in its use. A new vehicle must undergo a thorough run-in. Before you start up the engine, make sure that the brakes, clutch, transmission and throttle lever all work properly, and that the gasoline and oil levels are appropriate. The exhaust system, brakes and other components can become hot while riding. Do not touch these components. Taking some medicines or drugs, either under a doctor's prescription or illegally, as well as drinking alcohol, increases the risk of an accident notably. Do not ride under the effect of alcohol or medicine, whether they are illegal or prescribed by a doctor. Make sure that your physical condition is appropriate before you begin to ride your vehicle. Do not ride if you are particularly fatigued or tired. Alcohol, medicine, and tiredness are the principal causes of accidents. Many accidents are due to the rider's inexperience. Do not ride your vehicle before you have attended training held by a recognized organization such as the Motorcycle Safety Foundation. Always remember that riding a two-wheeled vehicle, while easy and fun, is very different from driving a car. An expert driver is not necessarily capable of riding a two-wheeled vehicle safely. NEVER lend your vehicle to other people if you are not sure that they are experts, and have a driver's license. Respect all the rules of the road. In particular, pay attention to all warning, traffic and informational signs.

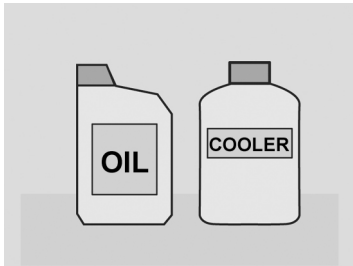
Avoid showing off with dangerous moves (for example wheelies). In particular, respect speed limits, and remember that road conditions vary based on weather conditions: wet and icy roads are particularly dangerous at sustained speeds. Automobile drivers frequently have difficulty seeing two-wheeled vehicles, so you should always give cars precedence, even in cases where the rules of the road actually give you the right of way. Always make sure that the road is free behind you before changing lanes. Do not rely exclusively on your rearview mirror, since it may underestimate the distance and/or speed of a vehicle, or even not show it at all. Avoid obstacles that may damage your vehicle or make you lose control. Do not drive



03\_14



03\_15



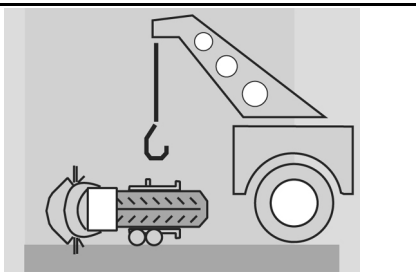
03\_16

immediately behind vehicles, either trucks or cars, and do not drive in their wake in an attempt to increase your speed. In the case of an accident, motorcycles and scooters do not offer the same level of protection given by automobiles. The legs are especially at risk of injury. Installing leg-guards can greatly increase the risk and seriousness of injuries in the case of an accident. Do not install leg-guards available on the spare part and accessory after market. Not following these recommendations could lead to serious injury and even death. While driving always keep both hands on the handlebar and both feet on the footrests. Never change gear without using the clutch if the vehicle is provided with it. Do not use the gear shift or other handles jerkily or suddenly. Driving in this manner could damage the internal components of the vehicle, leading to the engine seizing, loss of control, serious injury, or even death. Remain seated while riding. Never stand on your feet or stretch yourself while riding. If you need to rest, pull over in a safe place on the road. It is very important for your safety that you always ride with the utmost attention. Pay attention to your own actions, do not become distracted by other vehicles, people or things near the streets, etc. Do not smoke, eat, drink, read, etc., while riding the vehicle. If it becomes necessary to examine a road map, pull over and do so safely. Use only the fuel and lubricants indicated safe for your vehicle in the TABLE OF RECOMMENDED PRODUCTS; check the level of coolant, fuel and oil regularly. If the throttle grip is blocked, you could fall or have a collision with another vehicle. If the throttle grip is blocked, turn of the engine with the engine stop button located on the right handle. Do not attempt to restart the engine until the throttle grip has been repaired and is completely functional. Not observing these warnings may lead to a fall resulting in serious injury and even death.

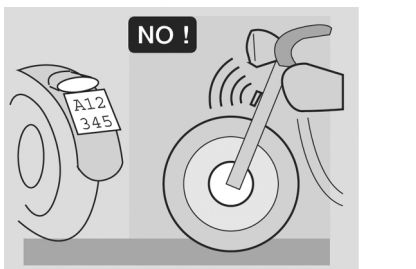
#### IMPORTANT

**IN THE CASE OF AN EMERGENCY BECAUSE THE THROTTLE GRIP IS BLOCKED, ALWAYS TURN OF THE ENGINE USING THE ENGINE STOP BUTTON LOCATED NEAR THE ACCELERATION GRIP ON THE RIGHT HANDLEBAR. NEVER USE THE VEHICLE IF THE THROTTLE GRIP DOES NOT AUTOMATICALLY AND COMPLETELY RETURN TO THE NEUTRAL POSITION WHEN YOU LET GO OF IT ON. CONTACT YOUR LOCAL Official Moto Guzzi Dealership FOR REPAIRS. NOT OBSERVING THESE WARNINGS MAY LEAD TO SERIOUS ACCIDENTS CAUSING SERIOUS INJURY AND EVEN DEATH.**

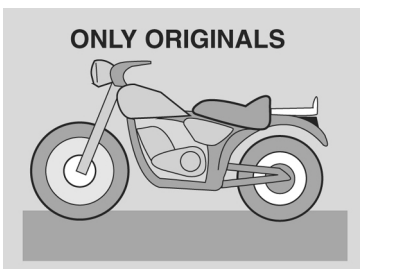
If you are involved in an accident with your vehicle, make sure that the command levers, tubes, wires, braking system and other vital components were not damaged. If your vehicle is



03\_17



03\_18



03\_19

involved in an accident, immediately contact your local **Moto Guzzi** Dealership which has the tools and knowledge necessary to assess if any damages were sustained that could compromise your safety.

Your **Moto Guzzi** Dealership is able to resolve all safety problems, on the condition that you tell them about all mechanical malfunctions.

Do not use the vehicle when it is damaged. A damaged vehicle could lose stability or have other problems which may increase the risk of accidents, and consequently the risk of serious injuries or even death.

Do not attempt to modify the position, angle or color of your license plate. The license plate should not be covered in any way, not even with transparent plastic. Do not modify your vehicle's safety systems, in particular components associated with the turn signals, rearview mirrors, the lights and the horns.

Any modification to the vehicle renders the warranty null and void.

Do not modify the engine in order to increase its power. This could lead to irreparable damage to the engine, including compromising its performance and the manageability of the vehicle, leading to a fall, serious injuries, and even death.

To repair your vehicle use only original **Moto Guzzi** parts or parts approved by **Moto Guzzi**. The use of aftermarket accessories and spare parts can seriously compromise the safety of your vehicle, as well as its performance and usability. All modifications that impact the performance and safety of the vehicle render the warranty null and void.

Tampering with the emissions or sound control system is prohibited by law and can be severely punished.

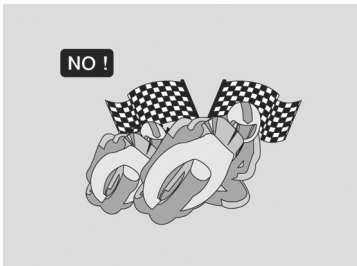
In some jurisdictions your vehicle could be confiscated.

This vehicle was not designed to carry a sidecar, nor to be used to haul trailers or other vehicles.

**Moto Guzzi** does not produce sidecars or trailers, and for this reason is not able to predict the consequences that these accessories could have on the stability and maneuverability of your vehicle: in any case you are advised that these may have a negative effect on your vehicle, and the warranty will not be recognized for any damages the vehicle or its components may sustain due to a use of this type of accessory.



03\_20



03\_21



03\_22

Never use your vehicle to race other vehicles.

When braking use both the front and rear brake. In the case of abrupt braking, the use of only one brake could cause your vehicle to slide or cause you to lose control of the vehicle.

While driving downhill, take advantage of the engine's braking action by selecting the same gear or a lower gear in respect to that used for going uphill. Use the front and rear brakes with moderation.

Always travel at an appropriate speed and avoid sudden useless acceleration, not only to increase your safety, but also to reduce fuel consumption, and increase your vehicle's life.

When you ride your vehicle on wet or slippery roads, always remember that your traction is notably diminished. In these conditions always maneuver your vehicle with the maximum caution and care.

Sudden acceleration, brakes or turns could cause you to lose control of your vehicle. When traction is reduced, accelerate and brake taking advantage of, as much as possible, the engine's braking power. Avoid braking suddenly and/or too quickly.

Open and close the throttle grip slowly in order to avoid causing the rear wheel to slip or slide.

Slow down and drive with caution on irregular road surfaces.

Avoid turning the throttle grip to its maximum except in cases of absolute necessity, such as passing.

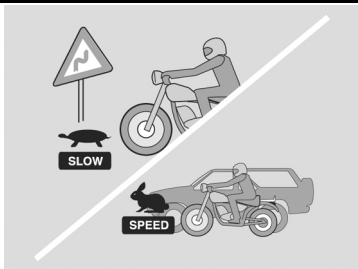
Do not let the engine run "stressed," running at an RPM that is too low. Shift down to a lower gear. Do not make the engine run at too high an RPM. Pay attention to the red line on the speedometer.

Remember that turning too aggressively can cause the side of the tires to lose contact with the ground, leading to a fall, serious injury, and even death.

Always respect speed limits, remembering that it is not always safe to ride at the maximum of the limits under all road conditions. Slowing down slightly greatly increases your safety under all road conditions.

Do not drive the vehicle off-road.

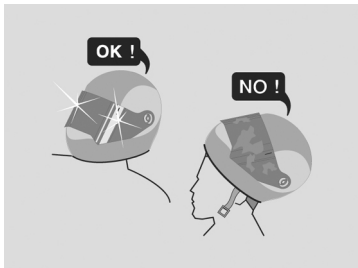
Do not tamper with the exhaust or emissions control system, not only because it could harm



03\_23



03\_24



03\_25

the environment, but also because you could risk penal sanctions.

### CLOTHING

Before you begin riding, make sure that your clothing is in good condition. Wear your helmet correctly, making sure that the visor or your protective goggles are clean.

Research and experience demonstrate that drivers of other vehicles frequently do not see scooters and motorcycles. To render yourself more visible to these drivers, wear reflective clothing such as reflective jackets, or other types of clothing with reflective areas sewn on to the jacket, pants and gloves. Pay particular attention to trucks and automobiles arriving from the other side of the road, as they could turn right or left right in front of you. Many accidents are caused by a driver on the other side of the road who turns left without taking into consideration the vehicle in front.

Without doubt the driver in front of you will swear that s/he saw you only when, after turning, s/he found you in their lane. Ride with caution!

Wear protective clothing, choosing bright and/or reflective colors. This will make you easily seen by other road users, thus reducing the risk of an accident an increasing your protection level in the event of a fall.

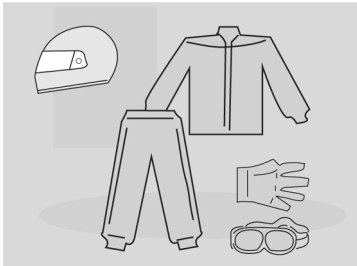
Always wear a helmet. Head injuries cause many accidents to become mortal.

Clothing must be particularly tight and closed around wrists and ankles. Cords, belts, and ties should not dangle; prevent these and other objects from interfering with your ride, getting caught in moving parts or driving mechanisms.

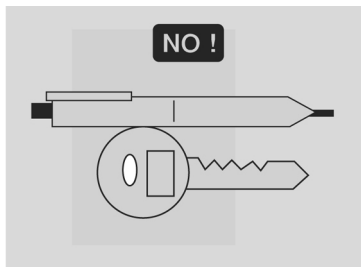
Do not keep pointed objects in your pockets which could become dangerous in the case of a fall (for example: keys, mechanical pencils, etc.) Make sure that any passengers you may have also respect these recommendations.

### ACCESSORIES

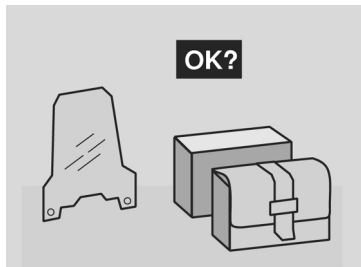
The owner of the vehicle is responsible for the choice, installation and use of all accessories.



03\_26



03\_27



03\_28

The installation of inappropriate accessories or overloading the vehicle could render it unstable and cause accidents, with the consequent risk of serious injury and even death. Windshields are particularly dangerous in the case of accidents, because they can break and injure or cut the driver. In case of doubt about any accessory or installation or any freight to be carried, it is recommended that you first consult with your local **Moto Guzzi** Dealership.

Do not install any accessory that covers the horn or the lights or impairs their operation, is in the way of suspension travel or steering angle, impairs the operation of vehicle controls or reduces ground clearance or lean-in angle.

Do not install accessories that hinder access to controls and may thus lengthen your response time in the event of an emergency.

Large fairings and windshields affect the vehicle's aerodynamic performance and its stability, especially at high speeds.

Make sure that anything mounted on your vehicle is attached securely, and cannot come free and block the wheels, forks, etc. Do not install electrical accessories or modify the vehicle's electrical system. Any component that could cause an electrical surge or an electrical problem could lead to the immediate stopping of the vehicle, the lights and horn to turn off or lose intensity, and malfunctioning of the other safety features. Use only original **Moto Guzzi** accessories.

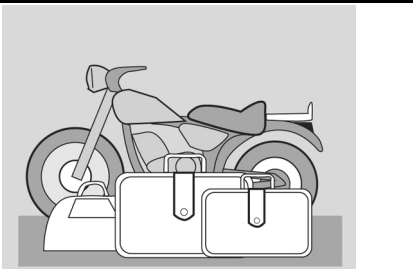
### LOADING

Do not overload the vehicle.

Secure bags and baggage as close to possible to the vehicle's center of balance and distribute the weight as uniformly as possible between the two sides, to reduce imbalance as much as possible. Always remember that the baggage will tend to loosen during the ride. For this reason, check frequently that your baggage is secure.

Never allow objects to hang from the handlebars of your vehicle, from the mudflaps, or the forks, as this could compromise the manageability of your vehicle and impede your ability to avoid an accident. Not observing these warnings may lead to a fall, resulting in serious injury and even death.





03\_29

Do not ride with a helmet attached to the belt, since in this position it could easily become entangled in the wheels, the mudflaps or in the forks, causing a fall, and consequently, serious injury or even death.

Carry a passenger only if the vehicle is equipped with passenger footrests, passenger grab straps, and a passenger seat.

When you carry a passenger, always remember that the vehicle's manageability is reduced, the brakes are less efficient, and the center of gravity is higher and farther back.

This increases the possibility of the front wheel losing contact with the ground, especially while accelerating. For this reason, avoid abrupt accelerating and braking. Many accidents are caused by inexperienced riders who are carrying a passenger. Remember to execute driving maneuvers with a greater allowance for safety in case of excessive passenger weight.

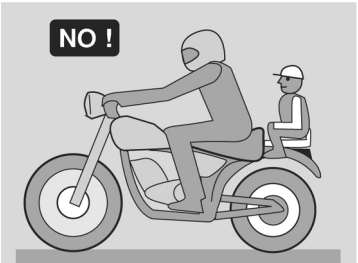


03\_30

Avoid abrupt and excessive acceleration. Slow down in advance, and calculate distances for stopping and for longer maneuvers. Not following these instructions could lead to the vehicle overturning or other accidents with consequent serious injuries and even death.

Never transport objects that are not secure, and make sure that when they are transported they are securely fastened to the vehicle.

Do not carry packages that protrude from the luggage rack or which cover any of the alarm devices or lights.

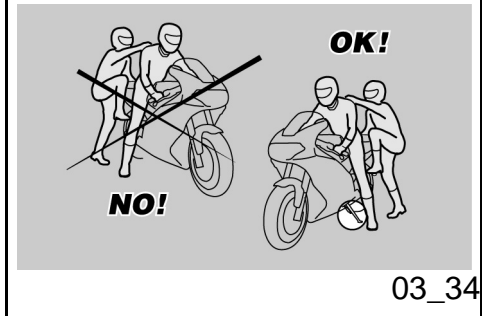
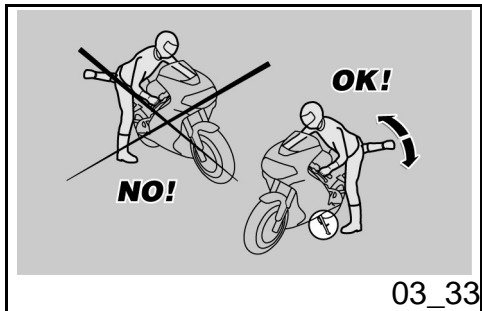
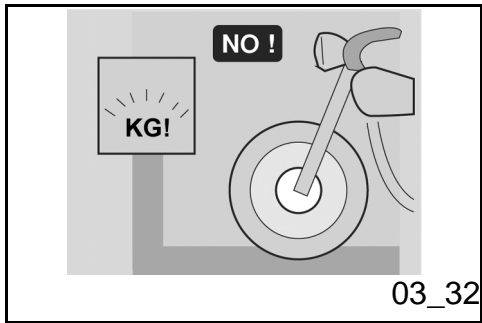


03\_31

Never carry animals or small children on the glove compartment or the luggage rack.

Never exceed the maximum weight indicated for each bag.

Overloading your vehicle can seriously decrease its stability and maneuverability leading to a fall, with consequent serious injury or even death.



### Basic safety rules (03\_33, 03\_34, 03\_35, 03\_36, 03\_37)

The following recommendations should receive your maximum attention, because they are provided to increase your safety, and decrease damage to people, things and vehicles, in the case of a fall of the driver or passenger from the vehicle and/or from the fall or overturning of the vehicle.

Mounting and dismounting the vehicle should always be performed with total freedom of movement and with the hands free of all objects. (i.e.- objects, helmet, gloves, or glasses)

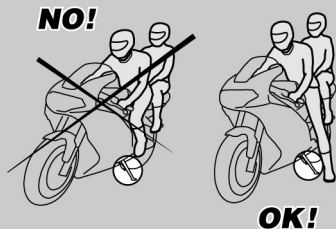
Mount and dismount only on the left side of the vehicle, and only with the side stand lowered.

The stand is designed to support the weight of the vehicle and a small additional weight, which does not include the driver and passenger.

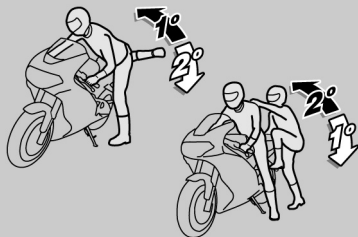
Mounting into driving position, with the side stand in place, is permitted only to prevent the possibility of the vehicle falling or overturn, and does not indicate the possibility for the driver and passenger's weight to be placed on the side stand.

During mounting and dismounting the vehicle's weight can cause a loss of balance, with consequent loss of equilibrium and the possibility of falling or overturning.

**IMPORTANT**



03\_35



03\_36



03\_37

THE RIDER SHOULD ALWAYS BE THE FIRST TO MOUNT AND THE LAST TO DISMOUNT FROM THE VEHICLE, AND SHOULD CONTROL THE STABILITY AND EQUILIBRIUM OF THE VEHICLE WHILE THE PASSENGER IS MOUNTING AND DISMOUNTING.

In any case, the passenger should mount and dismount the vehicle using caution to avoid causing the vehicle or the rider to lose balance.

#### IMPORTANT

IT IS THE RESPONSIBILITY OF THE DRIVER TO INSTRUCT THE PASSENGER ABOUT THE PROPER WAY TO MOUNT AND DISMOUNT FROM THE VEHICLE.

THE VEHICLE INCLUDES PASSENGER FOOTRESTS WHICH SHOULD BE USED DURING MOUNTING AND DISMOUNTING. THE PASSENGER SHOULD ALWAYS USE THE LEFT FOOTREST FOR MOUNTING AND DISMOUNTING FROM THE VEHICLE.

DO NOT DISMOUNT OR EVEN ATTEMPT TO DISMOUNT BY JUMPING OR STRETCHING OUT YOUR LEG IN ORDER TO TOUCH THE GROUND. IN BOTH CASES THE STABILITY AND EQUILIBRIUM OF THE VEHICLE COULD BE COMPROMISED.

#### IMPORTANT

BAGGAGE OR OBJECTS ATTACHED TO THE REAR PART OF THE VEHICLE CAN CREATE AN OBSTACLE DURING MOUNTING AND DISMOUNTING FROM THE VEHICLE.

IN ALL CASES, THINK AHEAD AND MOVE YOUR RIGHT LEG CAREFULLY, AS IT WILL HAVE TO AVOID AND CLEAR THE REAR PART OF THE VEHICLE (INCLUDING BAGGAGE AND THE TAIL SECTION) WITHOUT CAUSING LOSS OF BALANCE.

#### MOUNTING

- Grip the handlebar properly and mount the vehicle without placing your weight upon the side stand.

**IMPORTANT**

**IN THE CASE THAT YOU ARE NOT ABLE TO REST BOTH FEET ON THE GROUND, PUT THE RIGHT FOOT ON THE GROUND, (IN THE CASE OF A LOSS OF BALANCE THE LEFT SIDE IS "PROTECTED" BY THE SIDE STAND) AND KEEP YOUR LEFT FOOT READY TO BE POSITIONED.**

- Place both feet on the ground and straighten the vehicle into the driving position, always maintaining its equilibrium.

**IMPORTANT**

**THE DRIVER SHOULD NOT OPEN OR TRY TO OPEN THE PASSENGER FOOTRESTS FROM THE DRIVER'S SEAT, AS IT COULD COMPROMISE THE STABILITY AND EQUILIBRIUM OF THE VEHICLE.**

- Have the passenger open the two passenger footrests.
- Instruct the passenger in the proper way to mount and dismount the vehicle.
- Use your left foot to completely reinsert the side stand.

**DISMOUNTING**

- Choose where you will park.
- Stop the vehicle.



**MAKE SURE THAT THE GROUND WHERE YOU HAVE PARKED THE VEHICLE IS FREE FROM OBSTACLES, FIRM AND LEVEL.**

- Use the heel of your left foot to completely open the side stand.

**IMPORTANT**

**IN THE CASE THAT YOU ARE NOT ABLE TO REST BOTH FEET ON THE GROUND, PUT THE RIGHT FOOT ON THE GROUND, (IN THE CASE OF A LOSS OF BALANCE THE LEFT SIDE IS "PROTECTED" BY THE SIDE STAND) AND KEEP YOUR LEFT FOOT READY TO BE POSITIONED.**

- Place both feet on the ground and keep the vehicle in equilibrium in riding position.
- Instruct the passenger in the correct way to dismount from the vehicle.



**RISK OF FALLING OR OVERTURNING.**

**MAKE SURE THAT THE PASSENGER HAS DISMOUNTED FROM THE VEHICLE.**

**DO NOT PLACE YOUR WEIGHT UPON THE SIDE STAND.**

- Tilt the vehicle until the stand is resting on the ground.
- Grip the handlebar properly and dismount from the vehicle.
- Turn the handlebar completely to the left.
- Replace the passenger footrests.

#### **IMPORTANT**



**MAKE SURE THAT VEHICLE IS STABLE.**



# Breva V1100



## Chap. 04 Maintenance

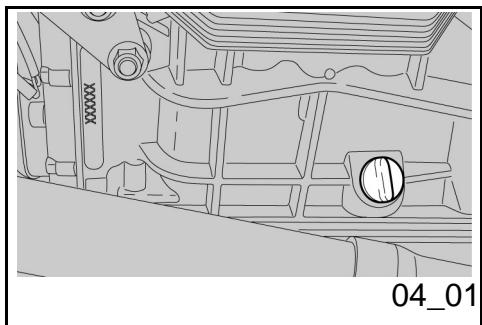
## Foreword

Normally, ordinary maintenance can be performed by the rider, but at times it will require the use of specific tools and technical preparation. In the case of periodic maintenance, or if you need assistance or technical advice, consult an **Official Moto Guzzi Dealer** who will provide precise and quick service.

### WARNING

**THIS VEHICLE IS CAPABLE OF INDIVIDUALIZING MALFUNCTIONS AND RECORDING THEM ON THE ELECTRONIC CENTRAL UNIT.**

**WHENEVER THE IGNITION SWITCH IS TURNED TO "ON," THE LED ALARM LIGHT ON THE INSTRUMENT PANEL WILL LIGHT UP FOR ABOUT THREE SECONDS.**



## Engine oil level



**CORRECT LUBRICATION OF THE VEHICLE IS A VERY DELICATE OPERATION IN TERMS OF SAFETY. PAY ATTENTION SO THAT THE LUBRICANT REMAINS AT AN APPROPRIATE LEVEL AND USE A GOOD QUALITY OIL OF THE APPROPRIATE TYPE FOR YOUR VEHICLE. OTHERWISE, YOUR ENGINE COULD SEIZE, WHICH COULD LEAD TO SERIOUS INJURY OR EVEN DEATH.**

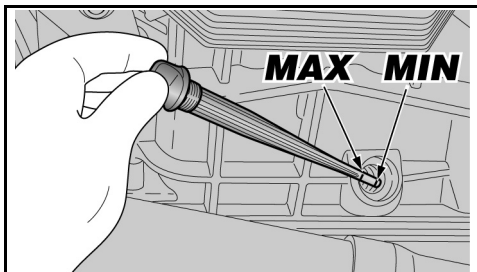


**USE LATEX GLOVES FOR MAINTENANCE OPERATIONS THAT REQUIRE CONTACT WITH USED OIL. OLD OR REPLACEMENT ENGINE OIL CAN CAUSE TUMORS IF HANDLED FOR PROLONGED PERIODS OF TIME AND ON A REGULAR BASIS. WASH YOUR HANDS CAREFULLY WITH SOAP AND WATER AFTER HAVING HANDLED USED ENGINE OIL.**

**KEEP OUT OF REACH OF**

**CHILDREN. DISPOSE OF THE USED OIL CORRECTLY.**





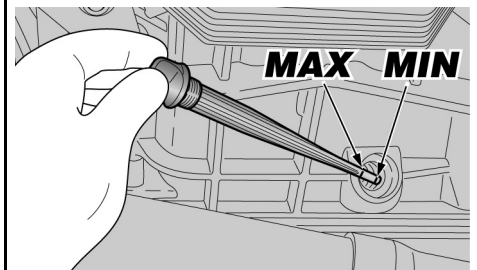
04\_02



BE VERY CAREFUL WHEN YOU POUR THE OIL INTO YOUR VEHICLE AND DO NOT ALLOW IT TO SPILL.

IMMEDIATELY CLEAN ANY OIL DROPS THAT MAY HAVE SPILLED BECAUSE THE OIL CAN DAMAGE YOUR VEHICLE'S FINISH. THE OIL ALSO MAKES YOUR TIRES EXTREMELY SLIPPERY AND SO INCREASES THE RISK OF DANGEROUS SITUATIONS AND ACCIDENTS.

IF YOUR VEHICLE HAS AN OIL LEAK DO NOT RIDE IT. BEFORE USING YOUR VEHICLE HAVE IT REPAIRED BY AN Official Moto Guzzi Dealership.



04\_03

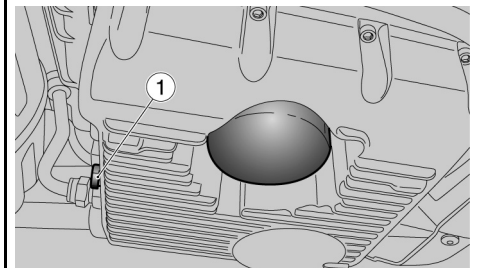


IF THE ENGINE OIL PRESSURE WARNING LIGHT REMAINS LIT AFTER THE ENGINE HAS BEEN STARTED UP, OR LIGHTS UP WHILE YOU ARE DRIVING, THIS MEANS THAT THE OIL SYSTEM IS NOT CREATING ENOUGH PRESSURE. IF THIS OCCURS, SHUT OFF THE ENGINE AT ONCE AND CONTACT AN Official Moto Guzzi Dealership. NOT FOLLOWING THIS ADVICE COULD CAUSE YOUR ENGINE TO SEIZE, YOUR VEHICLE TO FLIP OVER, AND SERIOUS, EVEN MORTAL, ACCIDENTS.

## Level check (04\_01, 04\_02)

Periodically check the engine oil level.

To carry out the check:

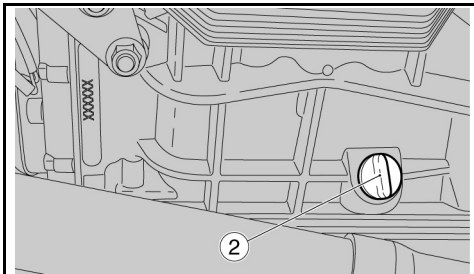


04\_04

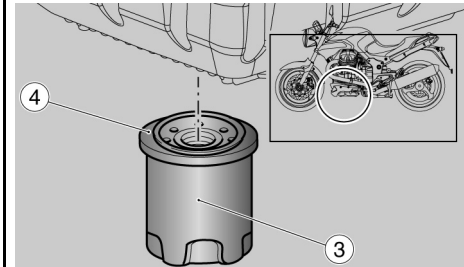


THE ENGINE OIL LEVEL CHECK MUST BE PERFORMED WITH THE ENGINE WARM AND WITH THE DIPSTICK NOT SCREWED IN.

CHECKING THE ENGINE OIL LEVEL WITH THE ENGINE COLD COULD CAUSE THE OIL TO TEMPORARILY DESCEND BELOW THE "MIN" LEVEL.



04\_05



04\_06

**THIS DOES NOT INDICATE A PROBLEM AS LONG AS THE WARNING LIGHT AND THE ENGINE OIL PRESSURE LIGHT DO NOT BOTH TURN ON.**

#### IMPORTANT

**DO NOT RUN THE ENGINE IN NEUTRAL WITH THE VEHICLE STOPPED IN ORDER TO WARM UP THE ENGINE AND BRING THE ENGINE OIL TO DRIVING TEMPERATURE.**

**THE CORRECT PROCEDURE IS TO CHECK OIL LEVEL AFTER A TRIP OR IN ANY CASE AFTER HAVING RIDDEN AT LEAST 10 MI (15 KM) OUTSIDE OF THE CITY. THIS IS SUFFICIENT TO WARM UP THE ENGINE OIL.**

- Stop the engine.
- Keep the vehicle in a vertical position, with both wheels resting on the ground.
- Unscrew the oil refilling cap/dipstick.
- Clean the dipstick and reinsert it, without screwing it in.
- Remove it again, and check the oil level.
- The correct oil level is near the "**MAX**" mark.

### Oil top up (04\_03)

#### IMPORTANT



**DO NOT GO BEYOND THE MAX AND MIN LEVEL MARK TO AVOID SEVERE ENGINE DAMAGE.**

**If necessary, top up the engine oil:**

- Unscrew and remove the refilling cap.



**DO NOT ADD ADDITIVES OR OTHER SUBSTANCES TO THE OIL.**

If you use a funnel or another implement, make sure that it is perfectly clean.

**IMPORTANT**

**USE HIGH QUALITY 10W-60 OIL.**

- Pour the oil in until you reach the correct level.

## **Oil replacement (04\_04, 04\_05, 04\_06)**



**THE OPERATIONS FOR SUBSTITUTING ENGINE OIL AND THE OIL FILTER COULD BE DIFFICULT AND COMPLEX FOR A NON-EXPERT.**

**IF NECESSARY, CONTACT AN Official Moto Guzzi Dealership.**

**IF INSTEAD YOU WOULD LIKE TO PERSONALLY PERFORM THE PROCEDURE, ABIDE BY THE FOLLOWING INSTRUCTIONS.**

**IMPORTANT**

**TO COMPLETELY REMOVE ALL THE OIL, THE OIL MUST BE WARM, HENCE MORE FLUID. OIL REACHES THIS STATE AFTER APPROXIMATELY TWENTY MINUTES OF NORMAL RIDING.**



**WHEN THE ENGINE IS HOT THE OIL IS AT A HIGH TEMPERATURE. PAY PARTICULAR**

**ATTENTION TO AVOID BURNING YOURSELF WHILE PERFORMING THE FOLLOWING ACTIONS.**

- Place a container with a capacity of at least 244 cuin (4000 cc) underneath the drainage cap (1).
- Unscrew and remove the drainage cap (1).
- Unscrew and remove the refilling cap (2).
- Drain the oil and let it drip for a few minutes into the container below.
- Check, and if necessary, replace the washers from the drainage cap (1).
- Remove the metal residue attached to the magnet in the drainage cap (1).
- Screw in and lock the drainage cap (1).

**Drainage cap tightening torque (1): 8.85 lbft (12 Nm).**



**DO NOT DISPOSE OF THE OIL IMPROPERLY.**

**IT IS RECOMMENDED THAT YOU TRANSPORT THE OIL IN A SEALED CONTAINER TO A TRUSTED SERVICE STATION OR TO A USED OIL COLLECTION CENTER.**

**REPLACEMENT OF THE ENGINE OIL FILTER**

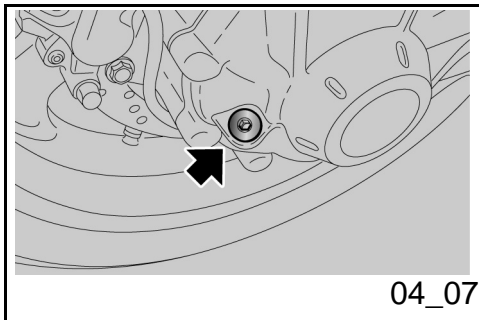
**Replace the engine oil filter every time you change your engine oil.**

- Remove the engine oil filter (3) unscrewing it from its post.



**DO NOT REUSE A FILTER THAT HAS ALREADY BEEN USED.**

- Apply a thin layer of oil onto the sealing ring (4) of the new oil filter.
- Insert it and screw it into place, using your hands.



## Universal joint oil level (04\_07)

Periodically check the shaft oil level.

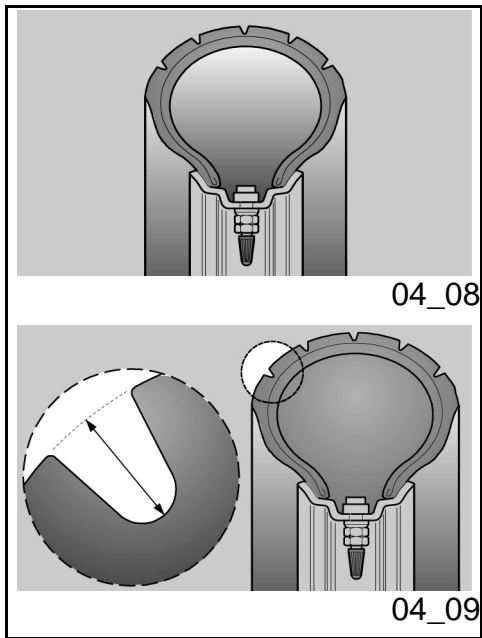
### To carry out the check:

- Keep the vehicle in a vertical position, with both wheels resting on the ground.
- Unscrew and remove the level cap.
- Check that the oil is touching the hole for the level cap. If the oil is lower than this level, you must top it off.

**For oil top up and replacement of the transmission fluid in the cardan shaft transmission, contact an Official Moto Guzzi Dealership.**

## Gearbox oil level

- To check, top up, and change the transmission fluid, contact an **Official Moto Guzzi Dealership**.



## Tires (04\_08, 04\_09)

This vehicle is fitted with tires without inner tubes (tubeless).

### IMPORTANT

**REGULARLY CHECK TIRE PRESSURE AT ROOM TEMPERATURE. CHECKING PRESSURE ON HOT TIRES WILL RESULT IN INACCURATE MEASUREMENT. IT IS PARTICULARLY IMPORTANT TO CHECK TIRE PRESSURE BEFORE AND AFTER A LONG JOURNEY. IF TIRE PRESSURE IS TOO HIGH, THE SURFACE UNEVENNESS IS NOT CUSHIONED AND IS SENT TO THE HANDLEBAR, RESULTING IN UNPLEASANT RIDING AND POOR ROAD GRIP ESPECIALLY WHEN TURNING.**

**AN UNDERINFLATED TIRE, ON THE OTHER HAND, WILL EXTEND THE CONTACT PATCH TO INCLUDE A LARGER PORTION OF THE WALL. WHEN THIS IS THE CASE, THE TIRE MAY SLIP OR BECOME DETACHED FROM THE RIM, LEADING TO LOSS OF CONTROL.**

**THE TIRE COULD COME OFF THE RIMS UNDER HARD BRAKING.**

**FINALLY, THE VEHICLE COULD SKID WHILE TURNING.**

**INSPECT TREAD SURFACE AND CHECK FOR WEAR. BADLY WORN TIRES ADVERSELY AFFECT TRACTION AND HANDLING.**

**SOME OF THE TIRES RECOMMENDED FOR USE FOR THIS MOTORCYCLE FEATURE WEAR INDICATORS.**

**THERE ARE SEVERAL TYPES OF WEAR INDICATORS. CONSULT YOUR DEALER ON METHODS TO CHECK FOR WEAR.**

**CARRY OUT A VISUAL INSPECTION OF TIRE WEAR, AND REPLACE THEM IF THEY ARE WORN.**

**WHEN TIRES ARE OLD, THE MATERIAL MAY HARDEN AND NOT PROVIDE ADEQUATE GRIP, EVEN IF THE TIRES ARE STILL WITHIN THE WEAR LIMIT. REPLACE THE TIRES IF THIS OCCURS. REPLACE THE TIRE IF IT IS WORN OR IF IT HAS A PUNCTURE IN THE TREAD AREA LARGER THAN 0.197 in (5 mm).**

**AFTER A TIRE IS MENDED, BALANCE THE WHEELS.**

**USE ONLY TIRE SIZES INDICATED BY THE MANUFACTURER. DO NOT INSTALL TIRES**

WITH INNER TUBES ON RIMS FOR TUBELESS TIRES, OR VICE VERSA. CHECK THAT THE INFLATION VALVES ARE ALWAYS CAPPED IN ORDER TO AVOID UNEXPECTED FLAT TIRES.

REPLACEMENT, REPAIR, MAINTENANCE AND BALANCING OPERATIONS ARE HIGHLY IMPORTANT AND SHOULD BE CARRIED OUT USING THE APPROPRIATE TOOLS AND WITH ADEQUATE KNOWLEDGE. FOR THIS REASON IT IS RECOMMENDED THAT YOU CONTACT AN OFFICIAL DEALER, OR A SPECIALIZED TIRE REPAIRER FOR THE FOLLOWING OPERATIONS.

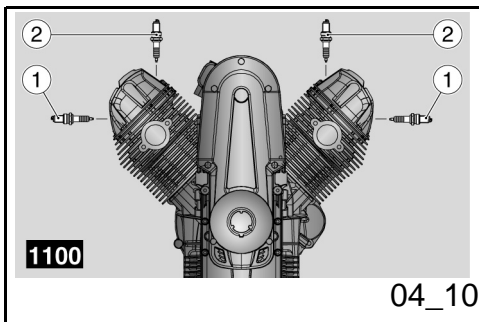
NEW TIRES MAY BE COATED WITH AN OILY FILM. DRIVE CAREFULLY FOR THE FIRST FEW MILES. DO NOT GREASE TIRES WITH UNSUITABLE LIQUIDS.

IF THE TIRES ARE OLD, EVEN IF THE TIRES ARE STILL WITHIN THE WEAR LIMIT, THE MATERIAL MAY HARDEN AND NOT PROVIDE ADEQUATE TRACTION.

IF THIS IS THE CASE, REPLACE THE TIRES.

#### Minimum tread depth:

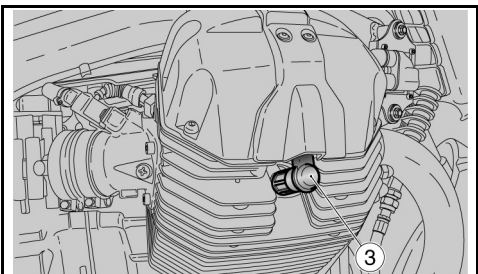
front and rear USA 0.118 in (USA 3 mm) Eu 0.079 in (Eu 2 mm) and in any case, not less than the minimums required by the laws in place in the country where the vehicle is used.



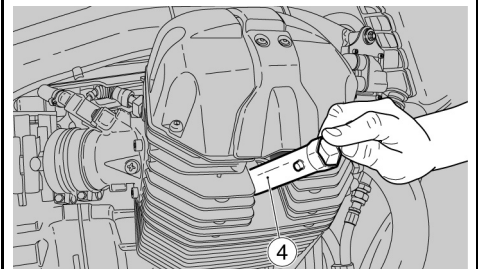
## Spark plug dismantlement (04\_10, 04\_11, 04\_12, 04\_13, 04\_14)



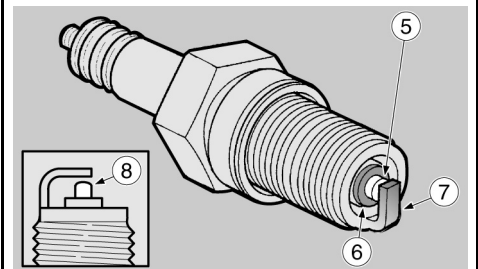
THE FOLLOWING INSTRUCTIONS REFER SOLELY TO OUTER SPARK PLUGS (1). THE 1100 VERSION ALSO HAS TWO INNER SPARK PLUGS (2). CONTACT AN Official Moto Guzzi Dealership TO HAVE THESE REPLACED.



04\_11



04\_12



04\_13



**ALWAYS REPLACE BOTH OUTER SPARK PLUGS (1) TOGETHER, EVEN IF ONLY ONE NEEDS REPLACING.**

#### To remove:

- Remove the electrical connection tube (3) from the spark plug.
- Completely clean the base of the spark plug.
- Affix the appropriate wrench included in the tool kit.
- In the hexagonal post of the spark plug wrench, insert the wrench (4) included in the tool kit.
- Unscrew the spark plug and remove it from its place, taking care to not allow dust or other material to enter inside the cylinder.

#### Checking and cleaning:



**TO CLEAN THE SPARK PLUGS, DO NOT USE METAL BRUSHES AND/OR ABRASIVE PRODUCTS, BUT ONLY A JET OF COMPRESSED AIR.**

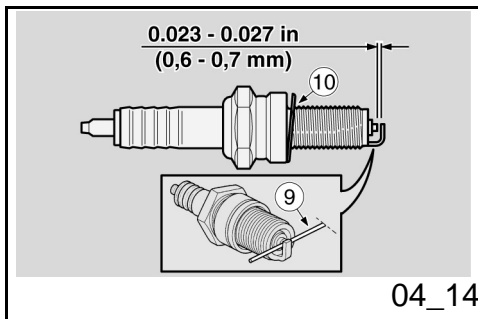
#### Key:

- central electrode (5);
- insulator (6);
- side electrode (7);

- Check that the electrodes and spark plug insulator do not show traces of carbon deposits and or corrosion. If required, clean them using a jet of compressed air.

If the spark plug shows cracks on the insulator, corroded electrodes, excessive deposits, or if the top (8) of the central electrode (5) has become rounded, the spark plug must be replaced.





- Check the gap between the electrodes with a wire gauge (9).

#### IMPORTANT



**DO NOT ATTEMPT TO READJUST THE GAP BETWEEN THE ELECTRODES.**

The gap between electrodes should be between **0.023 - 0.027 in (0,6 - 0,7 mm)**. If it is different, replace the spark plug.

- Make sure that the washer (10) is in good condition.

#### Installation:

- Once the washer (10) is fitted, manually screw in the spark plug to avoid damaging the thread.
- Tighten using the wrench supplied in the tool kit, turning each spark plug 1/2 turn to compress the washer.

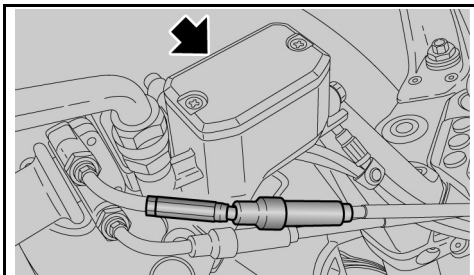
**Spark plug tightening torque: 14.7 lbft (20 Nm).**

#### IMPORTANT

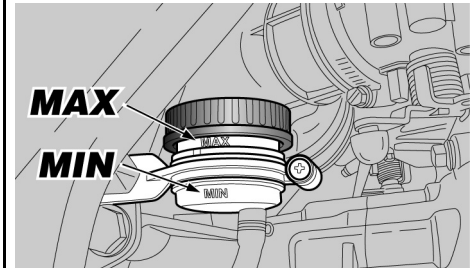
**TIGHTEN THE SPARK PLUG CORRECTLY, OTHERWISE THE ENGINE MAY OVERHEAT AND BECOME IRRETRIEVABLY DAMAGED.**

**USE RECOMMENDED SPARK PLUGS ONLY. USING A SPARK PLUG OTHER THAN THAT SPECIFIED MIGHT COMPROMISE ENGINE PERFORMANCE AND LIFE.**

- Insert the electrical connection tube correctly so that it does not detach with engine vibrations.



04\_15



04\_16

## Checking the brake fluid level (04\_15, 04\_16)

### Checking brake fluid

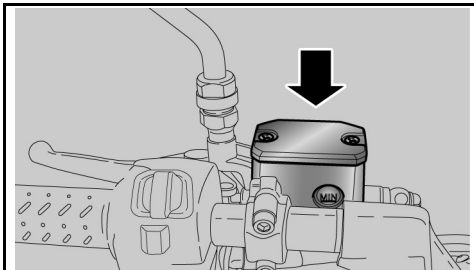
- Position the vehicle on the stand.
- For the front brake, turn the handlebars completely to the right.
- For the rear brake, keep the vehicle vertical, so that the liquid contained in the tank is parallel to the cap.
- Verify that the liquid in the tank is over the "MIN" level.

**MIN**= minimum level

**MAX**= maximum level

If the fluid does not reach at least the "**MIN.**" mark:

- Check brake pad and disc wear.
- If the pads and/or discs do not need to be replaced, perform the top up.
- If the pads and/or the discs need to be replaced, check the brake fluid and if necessary perform the top up.



04\_17

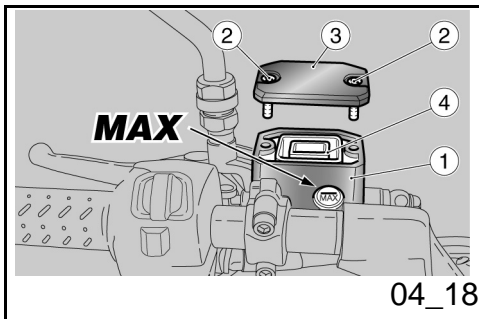
## Checking clutch fluid (04\_17)

Do not ride your vehicle if the clutch is worn or malfunctioning! The clutch is one of the most important parts of your vehicle's safety system, and using a vehicle with a clutch that is not functioning perfectly means a high risk of collisions and possibly mortal accidents.



**THE CLUTCH IS EXTREMELY IMPORTANT FOR YOUR SAFETY. DO NOT USE THE VEHICLE IF THE CLUTCH IS NOT FUNCTIONING PERFECTLY. ALWAYS CHECK THE FUNCTIONING OF THE CLUTCH BEFORE SETTING OFF.**

**IF THE POSITION OF THE CLUTCH LEVER CHANGES, IT MAY BE DUE TO A PROBLEM**



**WITH THE HYDRAULIC SYSTEM. IF YOU HAVE ANY DOUBTS THAT YOUR CLUTCH MAY NOT BE PERFORMING PERFECTLY, AND FOR NORMAL PERIODIC CHECKS, CONTACT AN Official Moto Guzzi Dealership BEFORE RIDING YOUR VEHICLE.**

**CHECK THAT THE CLUTCH TUBE IS NOT GLAZED OR TWISTED, AND IS NOT LEAKING FLUID.**

**KEEP THE TRANSMISSION CLUTCH FLUID OUT OF REACH OF CHILDREN. DISPOSE OF CLUTCH FLUID PROPERLY.**

- Position the vehicle on the stand.
- Turn the handlebars partially to the right, so that the liquid contained in the clutch fluid tank are parallel to the edges of the tank.
- Check that the liquid contained in the tank is higher than the "MIN" level.

MIN = minimum level

MAX = maximum level

If the fluid does not reach at least the "MIN" mark, top up the level.

## Topping up clutch fluid (04\_18)

- Using a Phillips head screwdriver unscrew the two screws (2) from the clutch liquid tank (1).
- Lift up and remove the cap (3) including the screws
- (2).Remove the gaskets (4).

Top up the clutch liquid, putting in enough to completely cover the glass that corresponds to the max level.



**TO AVOID LIQUID SPILLING OUT DURING THE PROCEDURE, MAINTAIN THE LIQUID IN THE TANK PARALLEL TO THE EDGES OF THE TANK (HORIZONTAL).**

**DO NOT ADD ADDITIVES OR OTHER SUBSTANCES TO THE LIQUID.**

**IF YOU USE A FUNNEL OR ANOTHER IMPLEMENT, MAKE SURE THAT THEY ARE PERFECTLY CLEAN.**



**RISK OF CLUTCH LIQUID SPILLAGE. DO NOT USE THE CLUTCH LEVER WHILE THE CLUTCH FLUID TANK CAP IS LOOSENED OR REMOVED.**

**KEEP A CLOTH UNDER THE CLUTCH FLUID TANK AS PROTECTION AGAINST POSSIBLE SPILLAGE.**



**AVOID PROLONGED EXPOSURE OF THE CLUTCH FLUID TO THE AIR.**

**THE CLUTCH FLUID IS HYGROSCOPIC AND ABSORBS MOISTURE WHEN IN CONTACT WITH THE AIR.**

**LEAVE THE CLUTCH FLUID TANK OPEN ONLY FOR THE TIME NEEDED TO COMPLETE THE REFILL PROCEDURE.**

- Replace the gaskets (4) correctly.
- Reposition the cap (3).
- Screw in the screws tightly (2).



**WHILE PERFORMING THE TOP UP, DO NOT FILL OVER THE "MAX" LEVEL.**

**CHECK THE CLUTCH PERFORMANCE.**

**IF THE CLUTCH FREE TRAVEL IS TOO LONG, OR IN THE CASE OF A LOSS IN THE**

**PERFORMANCE IN THE CLUTCH SYSTEM, CONTACT AN Official Moto Guzzi Dealership, AS IT MAY BE NECESSARY TO PURGE AIR FROM THE SYSTEM.**

## Use of a new battery (04\_19, 04\_20)

- Make sure that the ignition switch is in the "OFF" position.
- Remove the saddle compartment.
- Unscrew the two screws (1) and move the cover (2) aside.
- Unscrew and remove the screw (3) from the negative lead (-).
- Move the negative cable (4) to the side.
- Unscrew and remove the screw (5) from the positive lead (+).
- Move the positive cables (6) to the side.
- Take careful hold of the battery (7) and remove it from its post, lifting up.
- Place the battery on a flat surface, in a cool, dry location.
- Replace the saddle compartment.

To install a new battery, follow the steps described in inverse order.

### IMPORTANT

**WHEN REPLACING, CONNECT THE CABLE WITH THE POSITIVE LEAD (+) FIRST, AND THEN THE NEGATIVE (-).**

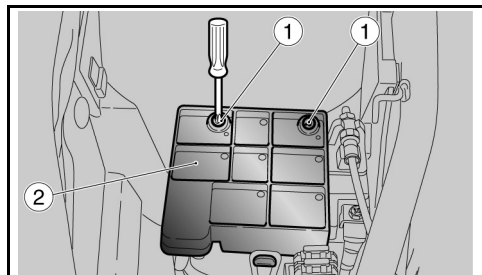


**MAKE SURE THAT THE LEADS OF THE CABLES AND THE BATTERY TERMINALS ARE:**

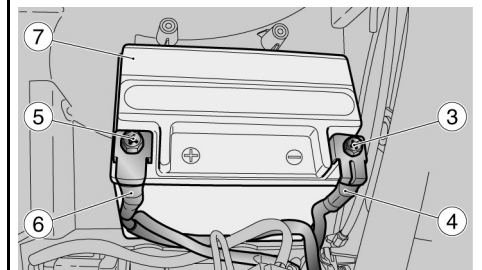
- IN GOOD CONDITION (NOT CORRODED OR COVERED BY DEPOSITS);
- COVERED BY NEUTRAL GREASE OR PETROLEUM JELLY.

## Electrolyte level check

### WARNING



04\_19



04\_20

**THIS BATTERY IS EQUIPPED WITH A NON-MAINTENANCE BATTERY, WHICH REQUIRES NO MAINTENANCE OUTSIDE OF AN OCCASIONAL CHECK, AND IF NECESSARY, RECHARGING.**

## **Charging the battery**

- Remove the battery.
- Have an appropriate battery charger on hand, able to perform the type of charge necessary.
- Connect the battery to the battery charger.

### **IMPORTANT**



**WHEN RECHARGING OR USING THE BATTERY, BE CAREFUL TO DO SO IN AN ADEQUATELY VENTILATED SPACE. DO NOT BREATHE GASES RELEASED WHEN THE BATTERY IS RECHARGED.**

Turn on the battery charger.

### **Characteristic**

#### **RECHARGING METHOD**

Recharging - Normal

Electrical Current - 1.8 A

Time - 8-10 hours

## **Long periods of inactivity**



**WHEN THE VEHICLE WILL NOT BE USED FOR MORE THAN TWENTY DAYS, DISCONNECT THE 30A FUSE, OTHERWISE THE MULTIFUNCTION COMPUTER WILL CONTINUE TO DRAW POWER, RUNNING DOWN THE BATTERY.**

#### **IMPORTANT**

**REMOVING THE 30A FUSE WILL RESET ALL FUNCTIONS: THE DIGITAL CLOCK, TRIP INFORMATION, AND CHRONOMETER MEASUREMENTS.**

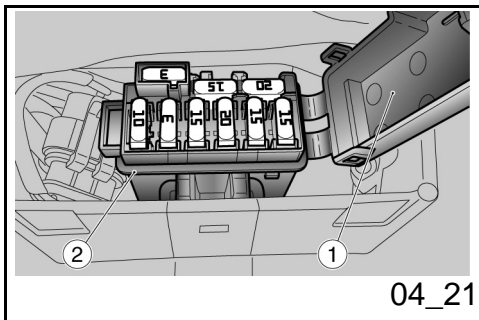
If the motorcycle is inactive longer than fifteen days, it is necessary to recharge the battery to avoid sulphation.

- Remove the battery.

In winter or when the vehicle remains stopped, check the charge frequently (about once a month) to avoid deterioration.

- Fully recharge with an ordinary charge.

If the battery is still on the vehicle, disconnect the cables of the terminals.



## **Fuses (04\_21, 04\_22, 04\_23, 04\_24, 04\_25, 04\_26, 04\_27)**

#### **IMPORTANT**

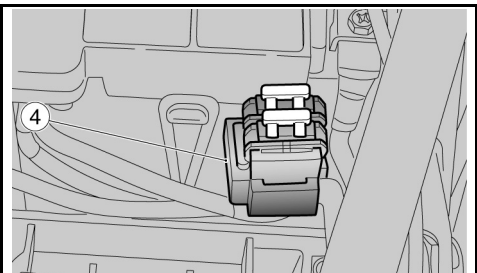
**NEVER ATTEMPT TO REPAIR FAULTY FUSES.**

**NEVER USE A FUSE OF A RATING OTHER THAN SPECIFIED.**

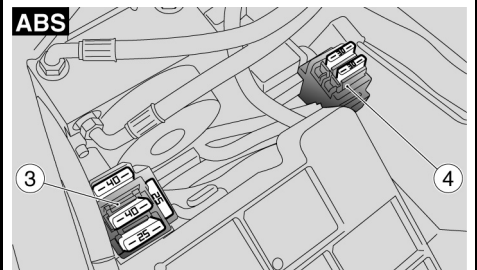
**THIS COULD DAMAGE THE ELECTRICAL SYSTEM OR CAUSE A SHORT CIRCUIT, WITH THE RISK OF FIRE.**

#### **NOTE**

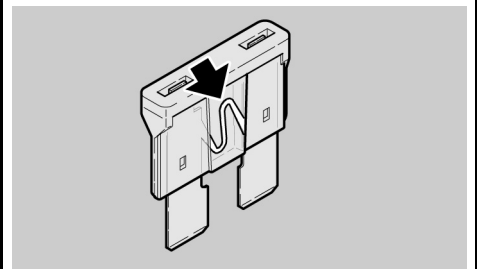
**WHEN A FUSE KEEPS BLOWING FREQUENTLY, THERE MAY BE A SHORT CIRCUIT**



04\_22



04\_23



04\_24

**OR OVERLOADING. IN THIS CASE CONSULT AN Official Moto Guzzi Dealership.**

Checking the fuses is necessary whenever an electrical component fails to operate or is malfunctioning or when the engine does not start.

Check the auxiliary fuses (2) first, then the ABS system fuses (3) (where provided), and finally the main fuses (4).

#### To carry out the check:

- Turn the ignition switch to "OFF," in order to avoid an accidental short circuiting.
- Remove the saddle compartment.
- Open the cover of the auxiliary fuse (2) box (1).
- Extract one fuse at a time and check whether the link bar is divided.
- When you find a blown fuse, determine and rectify the cause (if possible), before fitting a new one.
- Replaced any failed fuses with a fuse of equal current rating.

#### NOTE

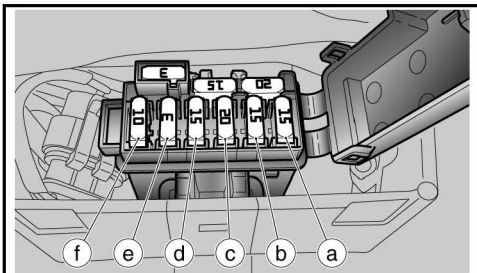
**WHEN YOU USE ONE OF THE SPARE FUSES, REMEMBER TO ADD A NEW ONE OF EQUAL RATING TO THE FUSE BOX.**

- Perform the check of the main fuses using the procedures described above for the auxiliary fuses.

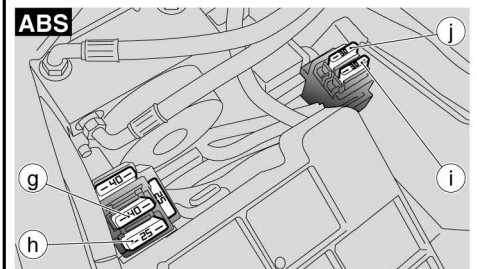
#### NOTE

**REMOVING THE 30A FUSE WILL RESET ALL FUNCTIONS: THE DIGITAL CLOCK, TRIP INFORMATION, AND CHRONOMETER MEASUREMENTS.**

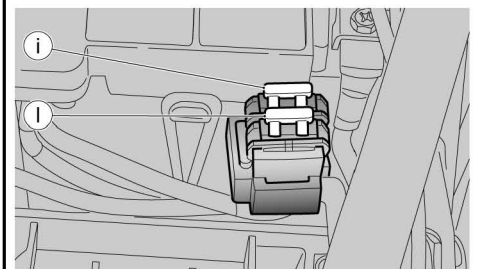




04\_25



04\_26



04\_27

## **ARRANGEMENT OF AUXILIARY FUSES**

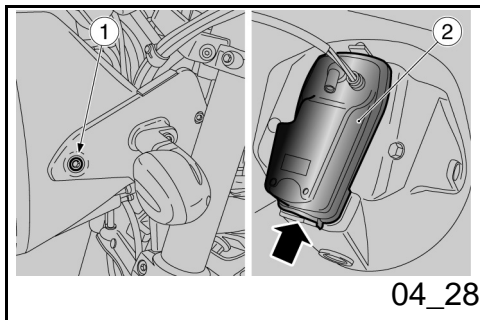
<b>Specification</b>	<b>Desc./Quantity</b>
(a) 15A fuse	Stop, horn, HAZARD light button illumination, light relay coil
(b) 15A fuse	Position lights, ignition relay coil, passing
(c) 20A fuse	Fuel pump, coils, injectors
(d) 15A fuse	Oxygen sensor burner, secondary injection relay coil, starter relay coil, speed sensor supply
(e) 3A fuse	Permanent positive, ECU power
(f) 10A - ABS fuse	ABS System
3A - 15A - 20 A	Spare fuses

## **ARRANGEMENT OF ABS FUSES**

<b>Specification</b>	<b>Desc./Quantity</b>
(g) 40A - ABS fuse	ABS hydraulic pump
(h) 25A - ABS fuse	ABS electromagnetic valve

## ARRANGEMENT OF MAIN FUSES

Specification	Desc./Quantity
(i) 30A fuse	From the battery to the voltage regulator:
(j) 30A fuse	From battery to key and 'c' and 'd' fuses
-	One fuse is a spare



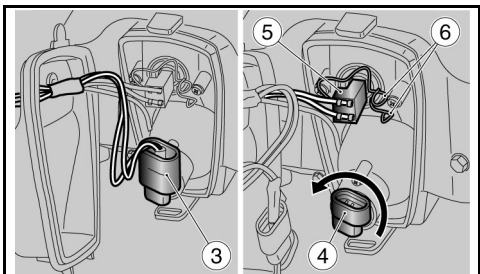
### Lights (04\_28, 04\_29, 04\_30, 04\_31)



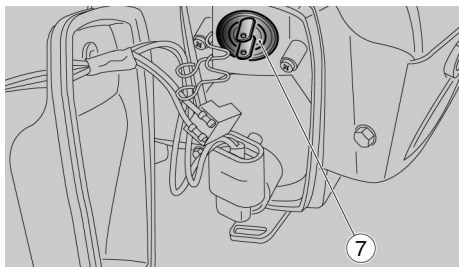
**DO NOT USE THE VEHICLE IF THE LIGHTS ARE NOT WORKING PERFECTLY. DO NOT USE THE VEHICLE IF THE HEADLIGHT HAS NOT BEEN ADJUSTED AND IS NOT WORKING PERFECTLY. IT COULD TEMPORARILY FLASH AND BLIND ONCOMING VEHICLES, AND ALSO REDUCE YOUR ABILITY TO SEE OBSTACLES ALONG THE ROAD WHILE RIDING AT NIGHT.**

**YOU SHOULD ALWAYS DECREASE YOUR SPEED WHILE RIDING AT NIGHT OR IN THE DARK IN ORDER TO GIVE YOURSELF THE TIME NECESSARY FOR AVOIDING OBSTACLES AND TO ADJUST TO THE LOWERED VISIBILITY THAT IS INEVITABLE AT NIGHT. NOT OBSERVING THESE RECOMMENDATIONS COULD LEAD TO COLLISIONS WITH OBJECTS AND OBSTACLES, WITH THE CONSEQUENT RISK OF SERIOUS INJURY OR EVEN DEATH.**

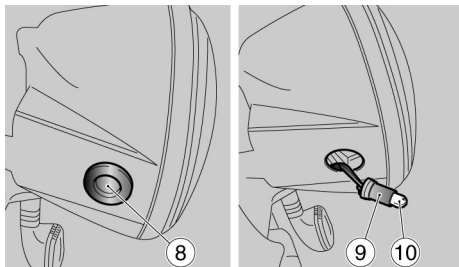
**IMPORTANT**



04\_29



04\_30



04\_31



**BEFORE REPLACING A BULB, TURN THE IGNITION SWITCH TO "OFF" AND WAIT A FEW MINUTES SO THAT THE BULB COOLS OFF.**

**WEAR CLEAN GLOVES OR USE A CLEAN DRY CLOTH TO REPLACE THE BULB.**

**DO NOT LEAVE PRINTS ON THE BULB AS THIS MAY CAUSE IT TO OVERHEAT OR EVEN BLOW OUT. IF YOU TOUCH THE BULB WITHOUT WEARING GLOVES, CLEAN OFF PRINTS WITH ALCOHOL TO AVOID DAMAGING THE BULB.**

**DO NOT FORCE ELECTRICAL CABLES.**

### REPLACEMENT OF THE FRONT HEADLIGHT BULB

The front light contains:

- one high beam light bulb (lower).
- one low beam light bulb (upper);
- one position light bulb (lower);

### To replace the high beam and low beam light bulbs:

- Remove the light, unscrewing the two side screws (1).
- Remove the cover (2), pushing it upwards, then free the lower hook. Last, slide out the upper tab of the housing.

### HIGH BEAM LIGHT BULB

- Disconnect the connector (3).
- Rotate the ring nut counterclockwise and extract the bulb body (4).
- Replace the bulb with an identical one.

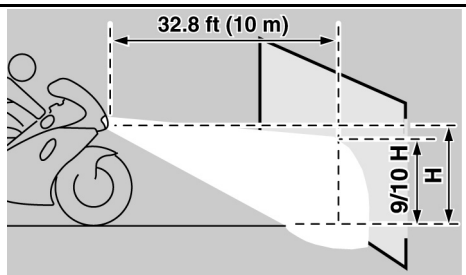
- Replace the bulb housing in its place and turn it clockwise until it is firmly in place.
- Connect the connector (3).

#### **LOW BEAM LIGHT BULB**

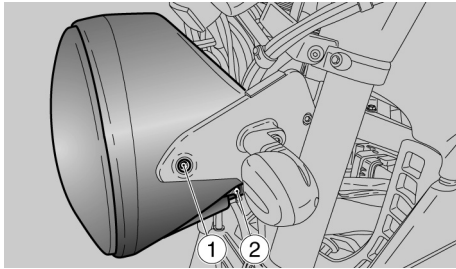
- Grasp the bulb's electric connector (5), pull it out and disconnect it from the bulb.
- Unhook the two ends of the retaining spring (6).
- Remove the bulb (7) from its housing.
- Install properly, in the bulb housing, a bulb of the same type, taking care that it is positioned in the appropriate slots.
- Reattach the retaining springs (6).
- Reconnect the connector (5).

#### **POSITION LIGHT BULB**

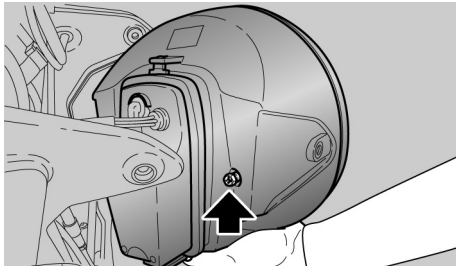
- Remove the closing rubber washer (8).
- Grasp the position light holder (9), pull and remove it from its housing.
- Slide out the bulb (10) and replace it with one of the same type.
- Replace the bulb holder (9) in its housing and the closing rubber washer (8).



04\_32



04\_33



04\_34

## Headlight adjustment (04\_32, 04\_33, 04\_34)

### NOTE

**IN COMPLIANCE WITH LOCAL LEGAL REQUIREMENTS, SPECIFIC PROCEDURES MUST BE FOLLOWED WHEN CHECKING LIGHT BEAM ADJUSTMENT.**

A quick procedure to check the correct adjustment of the front light beam:

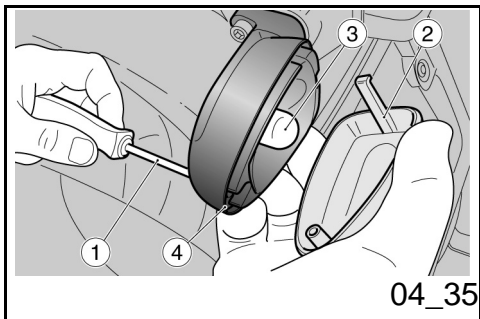
- Place the vehicle 32.8 ft (10 m) from a vertical wall, making sure that the ground is level.
- Turn on the low beam light, sit on the vehicle and check that the light beam projected to the wall is a little below the headlight horizontal straight line (about 9/10 of the total height).

### To adjust the height of the vertical light beam:

- Place the vehicle on the center stand.
- To adjust the angle, adjust the screw (2).

### To set the horizontal placement of the light beam:

- Place the vehicle on the stand.
- Remove the two screws (1) (one for each side).
- Keeping the light raised up, adjust the screw to regulate the position of the light beam.
- Replace the light in its housing, inserting the two screws (1), and check that the positioning is correct.
- If the positioning is correct, screw in the two screws (1).



## Front direction indicators (04\_35)

- Unscrew and remove the screw (1)
- Remove the protective screen (2), using caution so as to not break the locating peg.
- Press carefully on the bulb (3) and turn it counterclockwise.
- Remove the bulb (3) from its housing.
- Insert a bulb of the same type in the bulb holder, ensuring that the two pins slide into their respective slots on the bulb holder.

## Rear lights

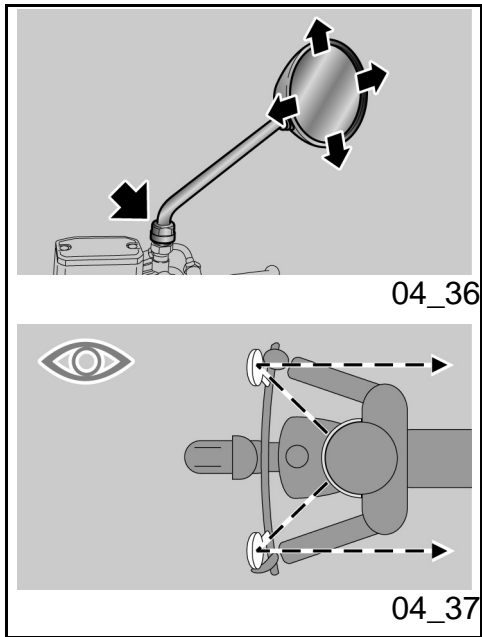
The motorcycle is equipped with rear LED lights. It is recommended that you contact an official **Moto Guzzi** Dealership to replace them.

## Rear turn signals

For the replacement of the rear turn indicators, proceed as indicated above for the front turn indicators.

## License plate light

Given the complexity of this operation, it is recommended that you contact an Official **Moto Guzzi** Dealership.



## Rear-view mirrors (04\_36, 04\_37)



**DO NOT RIDE WITH THE REARVIEW MIRRORS IMPROPERLY SET**

**ALWAYS MAKE SURE THAT THEY ARE CORRECTLY SET BEFORE HEADING OFF**

**To remove the rearview mirrors:**

- Place the vehicle on the stand.
- Loosen the locknut.



**WHEN REMOUNTING ENSURE THAT THE MIRROR SUPPORT ROD IS CORRECTLY POSITIONED IN LINE WITH THE HANDLEBARS BEFORE TIGHTENING THE LOCKNUT.**

- Slide up and remove the complete rearview mirror unit.

If necessary, repeat this operation for the removal of other rearview mirror units.

**Adjustment of the rearview mirrors:**

- Sit astride the vehicle.
- Turn the mirrors, adjusting them to the proper angle.

Repeat this operation to adjust the other rearview mirror.

- Check that there are no deposits of dirt or mud.



## Front and rear disc brake (04\_38, 04\_39, 04\_40)

Do not ride your vehicle if the brakes are worn or malfunctioning! The brakes are one of the most important parts of your vehicle's safety system, and using a vehicle with brakes that are not functioning perfectly means a high risk of collisions and possibly mortal accidents.



**IN HUMID OR WET CONDITIONS, YOUR BRAKE SYSTEM PERFORMANCE IS HIGHLY REDUCED. WHEN THE ROAD SURFACE IS WET FROM RAIN, YOU SHOULD MAINTAIN DOUBLE THE NORMAL SAFETY DISTANCE, ALSO BECAUSE TIRE PURCHASE IS GREATLY REDUCED. PAY CAREFUL ATTENTION TO WATER THAT COULD ENTER IN CONTACT WITH THE BRAKES AFTER WASHING YOUR VEHICLE OR AFTER ENCOUNTERING PUDDLES WHILE RIDING. THIS WATER COULD WET YOUR BRAKE SYSTEM AND HENCE CONSIDERABLY REDUCE ITS PERFORMANCE. NOT RESPECTING THESE RECOMMENDATIONS COULD LEAD TO SERIOUS ACCIDENTS AND EVEN DEATH.**

Your vehicle includes disc brakes with separate braking systems.

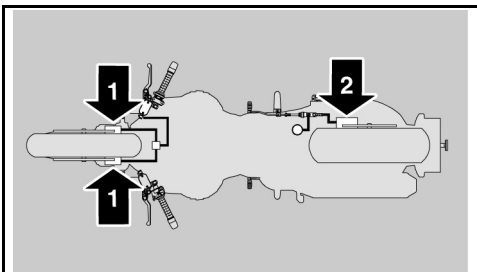
The front brake is equipped with two discs, one on the right and one of the left of the front wheel. The rear brake is equipped with only one disc positioned on the right side of the rear wheel. The following information may refer to a single brake system, but it is valid for both braking systems.



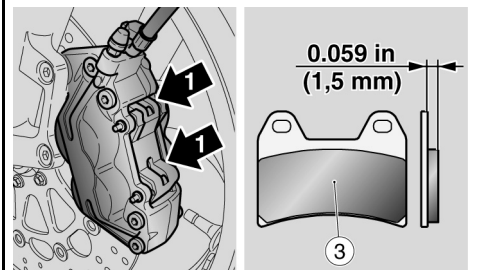
**THE BRAKES ARE EXTREMELY IMPORTANT FOR YOUR SAFETY. NEVER USE YOUR VEHICLE IF THE BRAKES ARE NOT WORKING PERFECTLY. ALWAYS CHECK THAT THE BRAKES ARE WORKING BEFORE BEGINNING TO RIDE.**



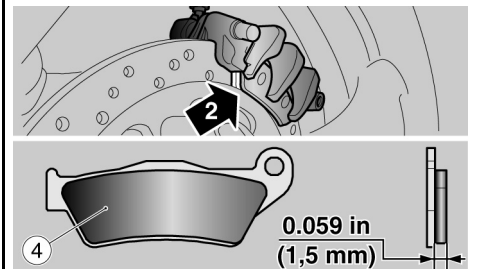
**IF THE POSITION OF THE BRAKE LEVER CHANGES, IT MAY BE DUE TO A PROBLEM WITH THE HYDRAULIC SYSTEM. IF YOU HAVE ANY DOUBT THAT YOUR BRAKES**



04\_38



04\_39



04\_40

**MAY NOT BE PERFORMING PERFECTLY, AND FOR NORMAL PERIODIC CHECKS, CONTACT AN Official Moto Guzzi Dealership BEFORE RIDING YOUR VEHICLE.**

**PAY PARTICULAR ATTENTION TO THE DISCS AND THEIR GRIPPING CAPACITY, MAKING SURE THAT THEY ARE NOT DIRTY OR OILY, ESPECIALLY AFTER MAINTENANCE OR INSPECTIONS. CHECK THAT THE BRAKE TUBES ARE NOT GLAZED OR TWISTED, AND ARE NOT LEAKING FLUID.**

**KEEP BRAKE FLUID OUT OF REACH OF CHILDREN. DISPOSE OF BRAKE FLUID PROPERLY.**

#### **IMPORTANT**



**A DIRTY DISC SOILS THE PADS, LEADING TO LOSS OF BRAKING.**

**DIRTY PADS MUST BE REPLACED, WHILE THE DIRTY DISC SHOULD BE CLEANED USING A HIGH QUALITY DEGREASING PRODUCT.**

#### **IMPORTANT**

**CONTACT AN Official Moto Guzzi Dealership TO REMOVE THE REAR WHEEL.**

#### **IMPORTANT**



**CHECK BRAKE PADS FOR WEAR ESPECIALLY BEFORE A TRIP.**

**This is a quick inspection procedure to determine brake pad wear:**

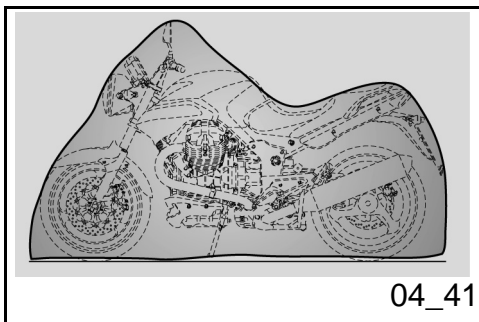
- Position the vehicle on the stand.
- Visually check the disc and pads, looking:

- from above and behind, for the front brake caliper (1);
- from the other side of the motorcycle, through the rim, for the rear brake caliper (2).

### IMPORTANT

**IF BRAKE PADS WERE ALLOWED TO WEAR DOWN UNTIL THE METAL SUBSTRATE BECAME UNCOVERED, METAL-TO-METAL CONTACT WITH THE BRAKE DISC WOULD LEAD TO RATTLING AND CAUSE THE BRAKE CALIPER TO SPARK. THIS WOULD RESULT IN A LOSS OF BRAKING POWER AND BRAKE DISC DAMAGE, CAUSING A DANGEROUS RIDING CONDITION.**

If the thickness of the pad friction material (even only the front pad (3) or the rear (4)) is reduced to **0.059 in (1,5 mm)** (or if even one of the wear indicators is no longer visible), have all of the brake caliper pads replaced at an Official **Moto Guzzi** Dealership.



04\_41

## Periods of inactivity (04\_41)

In case of prolonged vehicle inactivity:

- Remove the battery.
- Wash and dry the vehicle.
- Wax the painted surfaces.
- Inflate the tires.
- Do not empty the fuel tank. However, if it is available, you can add a fuel additive available at an Official Moto Guzzi Dealership, or at an automobile parts store. Follow the instructions on the additive container carefully.
- Store the vehicle in a cool dry place, out of direct sunlight, and with minimal temperature variations.
- Wrap and tie a plastic bag around the exhaust pipe opening to keep moisture out.

### IMPORTANT

**IT IS RECOMMENDED THAT YOU PLACE THE VEHICLE ON STABLE SUPPORTS THAT KEEP BOTH TIRES OFF THE GROUND.**



**BEFORE PERFORMING THE FOLLOWING OPERATIONS, LET THE ENGINE AND THE EXHAUST SILENCER COMPLETELY COOL DOWN. NOT FOLLOWING THIS INSTRUCTION COULD LEAD TO SERIOUS FIRES AND BURNS.**

Cover the vehicle, avoiding the use of plastic or waterproof materials.

#### **IMPORTANT**

**TO AVOID BATTERY DETERIORATION, FOLLOW THE RECOMMENDED STEPS FOR PROLONGED ACTIVITY.**

#### **RETURNING THE VEHICLE TO USE**

- Remove the plastic bag from the exhaust pipe opening.
- Air and clean the vehicle.
- Check the battery charge.
- Proceed with the operations indicated in the preliminary check table.

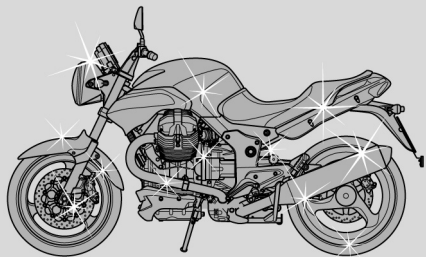


**CHECK THE PERFORMANCE AND SAFETY OF YOUR VEHICLE, RIDING AT A MODERATE SPEED IN AN AREA WITH LITTLE TRAFFIC BEFORE BEGINNING TO RIDE IN HEAVY TRAFFIC AGAIN.**

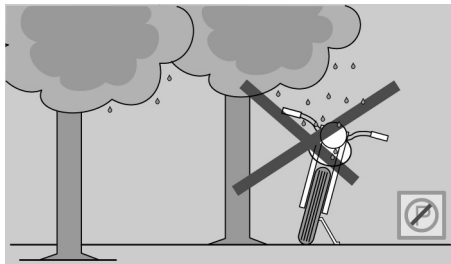
## Cleaning the vehicle (04\_42, 04\_43, 04\_44)

Clean the vehicle frequently when it is exposed to adverse conditions, such as:

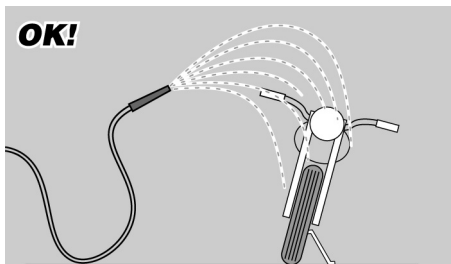
- Pollution (cities and industrial areas).
- Salinity and humidity in the air (seaside areas and hot, damp climate).
- Particular environmental/seasonal conditions (salt and anti-ice chemical products spread over the roads in wintertime).
- Make sure to clean off any industrial residue and pollutants, tarmac, dead insects, bird droppings etc. from the vehicle fairings.
- Avoid parking the vehicle under trees. Resins, fruits or leaves falling from trees may contain aggressive chemical substances that may damage the paintwork.



04\_42



04\_43



04\_44

### IMPORTANT



**BEFORE WASHING THE VEHICLE, COVER THE ENGINE AIR INTAKES AND THE EXHAUST PIPES.**

### IMPORTANT



**BRAKING EFFICIENCY MAY BE TEMPORARILY IMPAIRED AFTER WASHING THE VEHICLE, AS THE FRICTION SURFACES OF THE BRAKING SYSTEM MAY BE WET. TO AVOID ACCIDENTS, DO NOT FORGET THAT BRAKING DISTANCE WILL BE LONGER. BRAKE REPEATEDLY TO RESTORE NORMAL OPERATION. PERFORM THE RECOMMENDED PRE-RIDE CHECKS.**

To clean off dirt and mud deposited from painted surfaces, soften caked dirt with a low-pressure water jet. Sponge off using a car body sponge soaked in a car body soap and water solution (2 ÷ 4% parts of soap). Then rinse with plenty of water, and dry with a chamois

leather cloth. Clean the outer parts of the engine with a degreaser, brushes and a cloth. Anodized or painted aluminum parts such as forks, rims, frame, footrests etc. should be washed using water and mild soap. Using aggressive detergents may damage the surface treatment of these components. Using aggressive detergents may damage the surface treatment of these components.



**TO CLEAN THE HEADLIGHTS USE A SPONGE SOAKED IN WATER AND MILD DETERGENT, RUBBING THE SURFACE GENTLY AND RINSING FREQUENTLY WITH PLENTY OF WATER. WASH THE VEHICLE THOROUGHLY BEFORE APPLYING SILICONE WAX. DO NOT POLISH MATTE-PAINTED SURFACES WITH POLISHING PASTE. THE VEHICLE SHOULD NEVER BE WASHED IN DIRECT SUNLIGHT, ESPECIALLY DURING THE SUMMER WHEN THE BODYWORK IS STILL HOT, AS THE SOAP MAY DAMAGE THE PAINTWORK IF IT DRIES BEFORE BEING RINSED OFF.**

#### **IMPORTANT**



**DO NOT USE WATER (OR OTHER LIQUIDS) AT A TEMPERATURE OF OVER 104 °F (40°C) WHEN CLEANING THE PLASTIC PARTS OF THE VEHICLE. DO NOT AIM HIGH PRESSURE AIR/WATER JETS OR STEAM JETS AT THE FOLLOWING PARTS: WHEEL HUBS, CONTROLS ON THE RIGHT AND LEFT SIDE OF THE HANDLEBAR, BEARINGS, BRAKE PUMPS, INSTRUMENTS AND INDICATORS, SILENCER, IGNITION SWITCH/ STEERING LOCK. DO NOT CLEAN ANY RUBBER OR PLASTIC SADDLE COMPONENTS WITH ALCOHOL OR SOLVENTS: USE WATER AND MILD SOAP ONLY.**

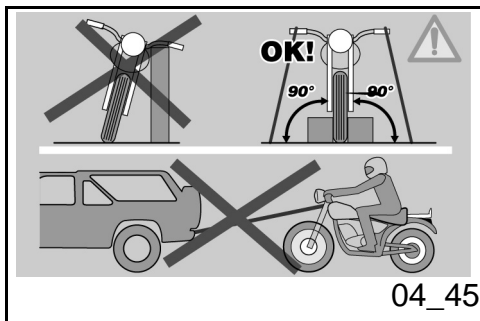
#### **IMPORTANT**

**DO NOT USE SOLVENTS OR PETROL BY-PRODUCTS (ACETONE, TRICHLOROETHYLENE, TURPENTINE, PETROL, THINNERS) TO CLEAN THE SADDLE. INSTEAD USE DETERGENTS WITH SURFACE ACTIVE AGENTS NOT EXCEEDING 5% (NEUTRAL SOAP, DEGREASING DETERGENTS OR ALCOHOL)**

**DRY THE SADDLE WELL AFTER CLEANING.**

**IMPORTANT**

**DO NOT APPLY PROTECTIVE WAX ON THE SADDLE OR IT MAY BECOME SLIPPERY.**



## Transport (04\_45)

Do not completely empty the fuel tank, either partially or totally. This could cause damage to the internal components of the fuel tank or to other parts of the fuel system. Always make sure that the fuel tank cap is closed correctly.

During transportation, the vehicle should remain vertical, to avoid possible oil or fuel spills; it should be securely fastened, with the wheels blocked.

Transport your vehicle only when the gear shift is in neutral.

Not following these recommendations could lead to serious damage to the transmission due to vibrations during transportation.

**IF STRANDED, DO NOT HAVE THE VEHICLE TOWED. CONTACT A ROAD ASSISTANCE SERVICE.**





# Breva V1100



**Chap. 05**  
**Technical data**

## **DIMENSIONS AND WEIGHT**

<b>Specification</b>	<b>Desc./Quantity</b>
Max length	86.4 in (2195 mm)
Max width	34.2 in (870 mm)
Max height	44.3 in (1125 mm)
Saddle height	31.5 in (800 mm)
Center to center distance	589 in (1495 mm)
Minimum ground clearance	72.8 in (185 mm)
Kerb weight	547 lb (248 Kg)

## **ENGINE - TRANSMISSION**

<b>Specification</b>	<b>Desc./Quantity</b>
Model	V1100 IE
Type	90° V-Twin, 4-stroke
Number of cylinders	2
Engine displacement	65 cuin (1064 cc)
Bore/stroke	3.62 x 3.15 in (92 x 80 mm)
Compression ratio	9.8: 1
Ignition	Electric

Engine idling speed	1100 +/- 100 (rpm)
Clutch	dry dual disc
Lubricating system	Pressure system regulated by valves and trochoidal pump
Air filter	cartridge, dry
Cooling	air
Gear shift - Type	mechanical, 6 gear with pedal lever on the left hand side of the engine

### **TRANSMISSION**

<b>Specification</b>	<b>Desc./Quantity</b>
Gear ratio	Primary with helical teeth 26/35
Internal ratio 1° gear	17 / 38 (secondary)
Internal ratio 2° gear	20 / 34 (secondary)
Internal ratio 3° gear	23 / 31 (secondary)
Internal ratio 4° gear	26 / 29 (secondary)
Internal ratio 5° gear	31 / 30 (secondary)

Internal ratio 6° gear	29 / 25 (secondary)
Secondary Drive	12 / 44 (Cardan)

### **CAPACITY**

<b>Specification</b>	<b>Desc./Quantity</b>
Fuel	41.8 pt (23 liters) including reserve
Fuel reserve	7.3 pt (4 liters)
Engine oil	Oil and filter replacement: 220 cuin (3600 cc)
Transmission oil	30.5 cuin (500 cc)
Fork oil	24.4 +/- 0.15 cuin (400 +/- 2,5 cc) for each stem
Seats	2
Vehicle max load (rider + passenger + luggage)	507 lb (230 Kg)

### **FUEL SUPPLY**

<b>Specification</b>	<b>Desc./Quantity</b>
----------------------	-----------------------

Type	Magneti Marelli IAW5A multipoint sequential phased injection, Alfa-n system with stepper engine; 2 1.77 in (45 mm) throttle bodies with Weber IW031 injectors, closed loop lambda probe
Diffuser	diam. 1.77 in (45 mm)
Fuel	USA unleaded fuel minimum octane rating (R+M)/2 method 90

### **CHASSIS AND SUSPENSION**

<b>Specification</b>	<b>Desc./Quantity</b>
Frame - type	high yield strength tubular steel
Frame - headstock angle	25° 30'
Frame - Trail	4.72 in (120 mm)
Frame - Steering angle	32°
Suspension - front	hydraulic telescopic fork diam. 1.77 in (45 mm) with adjustable spring preloading
Front suspension travel	4.72 in (120 mm)
Suspension - rear	single sided with progressive

linkage, single shock absorber with adjustable rebound, adjustable preloading settings with ergonomic handle.

Rear suspension travel 5.51 in (140 mm)

## **BRAKES**

<b>Specification</b>	<b>Desc./Quantity</b>
Brake - front	dual stainless steel floating disc brake, diameter 12.6 in (320 mm.) 4 paired differentiated calipers
Brake - rear	stainless steel disc brake diameter 11.1 in (282 mm.), parallel dual calipers

## **WHEELS AND TIRES**

<b>Specification</b>	<b>Desc./Quantity</b>
Wheel rims - type	3 hollow spokes in aluminum alloy, chill cast
Wheel rims - front	3.5" x 17"
Front wheel attached with pin locknut	59 lbft (80 Nm)

Wheel rims - rear	5.5" x 17"
rear wheel screws tightening	81 lbft (110 Nm)
Tires - type	METZELER Roadtec Z6 - MICHELIN Pilot Road - DUNLOP D220 ST Sportmax
Tires - front measurement	120/70 - ZR 17" 58 W
Tires - Front pressure	36.3 PSI (2,5 bar)
Tires - Front pressure with passenger	36.3 PSI (2,5 bar)
Tires - rear measurement	180 / 55 - ZR 17" 73 W
Tires - Rear pressure	40.6 PSI (2,8 bar)
Tires - Rear pressure with passenger	40.6 PSI (2,8 bar)

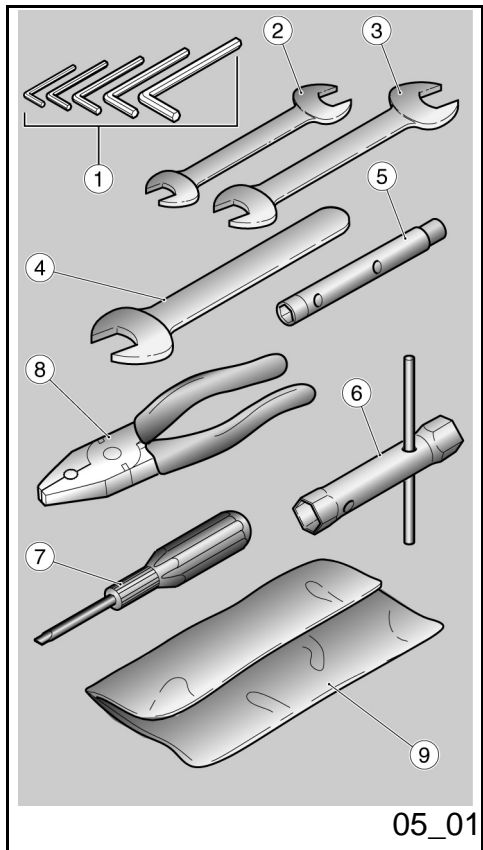
### **ELECTRICAL SYSTEM**

<b>Specification</b>	<b>Desc./Quantity</b>
Spark plugs - Inner	long life NGK PMR8B
Spark plugs - Outer	NGK BPR6ES
Spark plugs - electrode gap	0.024 - 0.027 in (0,6 - 0,7 mm)

Electrical system - battery	12 V - 18 Amp/h
Electrical system - Main fuses	30 A
Electrical system - ABS fuses	40 - 25 A
Electrical system - Auxiliary fuses	3 - 15 - 20 A (only for 10A ABS)
Electrical system - Generator	with permanent magnet 12 V - 550 W
Bulbs - position light	12V - 5W
Low beam bulb	12 V - 55 W H7
High beam bulb	12 V - 65 W H9
Bulbs - Turn signals	12 V - 10 W (orange)
Bulbs - Tail light/brake light	LED
Bulbs - Instrument panel lighting	LED
Bulbs - License plate light	12V - 5W
Warning lights - Turn signal	LED
Warning lights - ABS	LED
Warning lights - Alarm	LED
Warning lights - Neutral gear	LED



Warning lights - Side stand down	LED
Warning lights - High beam light	LED
Warning lights - Fuel reserve	LED
Warning lights - Antitheft device	LED
Warning lights - Gear shift threshold	LED



## Toolkit (05\_01)

### The tools supplied are:

- bent Allen wrenches 0.10 - 0.12 - 0.16 - 0.20 - 0.24 in (2,5 - 3 - 4 - 5 - 6 mm) (1);
- double fork wrench 0.31 - 0.39 in (8 - 10 mm) (2);
- double fork wrench 0.51 - 0.55 in (13 - 14 mm) (3);
- fork wrench 0.75 in (19 mm) (4);
- socket wrench 0.31 - 0.39 in (8 - 10 mm) (5);
- socket wrench 0.67 - 0.83 in (17 - 21 mm) for the spark plug (6) and adjustment of fork preloading;
- double-sided Phillips head/flathead screwdriver (7);
- pliers (8);
- a tool bag (9).

**Maximum weight allowed: 11 lb (5 kg) in the glove compartment plus 11 lb (5 kg) in the tool kit compartment.**

# Breva V1100



**Chap. 06**  
**Scheduled**  
**maintenance**

## Scheduled servicing table

Adequate maintenance is fundamental to ensuring long-lasting, optimum operation and performance of your vehicle.

For this reason Moto Guzzi has designed a series of checks and maintenance services available for payment, listed together in the chart on the following page. It is a good idea to report small performance anomalies right away to an **Authorized Moto Guzzi Dealership or other Dealer**, without waiting for the next scheduled service, so they can be repaired immediately.

It is a must to perform your scheduled services at the appropriate mileage or time periods recommended, as soon as the mileage or time is reached. Carrying out scheduled services on time is necessary to ensure your warranty remains valid. For any other information concerning Warranty procedures and Scheduled Maintenance, please refer to the Warranty Booklet.

### NOTE

**HALVE MAINTENANCE INTERVALS IF YOU ARE RIDING IN RAINY OR DUSTY AREAS, ON ROUGH ROADS, OR IF THE MOTORCYCLE IS USED IN COMPETITIONS.**

### AT EVERY START UP

#### Action

Engine oil pressure light - check and clean, adjust, lubricate or replace if necessary

**BEFORE EVERY TRIP AND EVERY 1250 MI (2000 KM)****Action**

Brake pad wear - Check and clean, adjust, or replace if necessary

**END OF RUN-IN PERIOD (625 MI (1000 KM))****Action**

Exhaust pipe flanges retaining bolts - check and clean, adjust, lubricate or replace if necessary

Transmission cables and controls - Check and clean, adjust, lubricate or replace if necessary

Steering bearings and steering clearance - Check and clean, adjust, lubricate or replace if necessary

Brake discs - Check and clean, adjust, or replace if necessary

Engine oil filter - Replace

Fork - Check and clean, regulate, lubricate or replace if necessary

General running of the vehicle - Check and clean, adjust, lubricate or replace if necessary

Braking system - Check and clean, adjust, lubricate or replace if necessary

Lights system - Check and clean, adjust, lubricate or replace if necessary

Safety switches - Check and clean, adjust, lubricate or replace if necessary

Transmission oil - change

Engine oil - replace

Final transmission fluid - replace

Tires - Check and clean, regulate, or replace if necessary

Tire pressure - Adjust

Engine revs at idle speed - Adjust

Valve clearance - Adjust

Wheels - Check and clean, adjust, lubricate or replace if necessary

Nut, bolt, screw tightening - Check and clean, adjust, lubricate or replace if necessary

Battery terminals tightening - Check and clean, adjust, lubricate or replace if necessary

Head stud bolts tightening - Adjust

Head bolts tightening - Adjust

Cylinder synchronization - Check and clean, adjust, lubricate or replace if necessary

Suspension and track alignment - Check and clean, adjust, lubricate or replace if necessary

Brake pad wear - Check and clean, adjust, or replace if necessary

## **EVERY 4 YEARS**

### **Action**

Fuel pipes - replace

Brake lines - replace

### **EVERY 3125 MI (5000 KM) - IF USED IN COMPETITION**

#### **Action**

External spark plugs - replace

Engine oil filter - Replace

Bleed the oil drain line from the air box - Clean

Brake pad wear - Check and clean, adjust, lubricate or replace if necessary

### **EVERY 6250 MI (10.000 KM) OR 12 MONTHS**

#### **Action**

External spark plugs - replace

Transmission oil - change

Idle mixture (CO) - Check and clean, adjust, lubricate or replace if necessary

Transmission cables and controls - Check and clean, adjust, lubricate or replace if necessary

Steering bearings and steering clearance - Check and clean, adjust, lubricate or replace if necessary

---

Wheel bearings - Check and clean, adjust, lubricate, or replace if necessary

Brake discs - Check and clean, adjust, or replace if necessary

Air filter - Check and clean, adjust, lubricate or replace if necessary

Engine oil filter - Replace

General running of the vehicle - Check and clean, adjust, lubricate or replace if necessary

Braking system - Check and clean, adjust, lubricate or replace if necessary

Valve clearance - Adjust

Wheels - Check and clean, adjust, lubricate or replace if necessary

Nut, bolt, screw tightening - Check and clean, adjust, lubricate or replace if necessary

Cylinder synchronization - Check and clean, adjust, lubricate or replace if necessary

Bleed the oil drain line from the air box - Clean

Final transmission fluid - replace

Fuel pipes - Check and clean, adjust, lubricate or replace if necessary

Brake lines - Check and clean, adjust, lubricate or replace if necessary

Brake pad wear - Check and clean, adjust, lubricate or replace if necessary

---



**AFTER THE FIRST 6250 MI (10000 KM) AND EVERY  
12500 MI (20000 KM) THEREAFTER**

**Action**

Fork oil - Replace

Fork oil seals - Replace

**EVERY 12500 MI (20000 KM) OR 24 MONTHS**

**Action**

Internal spark plugs - Replace

Alternator belt - Adjust; every 31050 mi (50000 km) replace

Air filter - Replace

Fork - Check and clean, regulate, lubricate or replace if necessary

Brake fluid - Change

Final transmission fluid - replace

Transmission oil - change

Suspension and track alignment - Check and clean, adjust, lubricate or replace if necessary

Brake pad wear - Check and clean, adjust, or replace if necessary

**RECOMMENDED PRODUCTS**

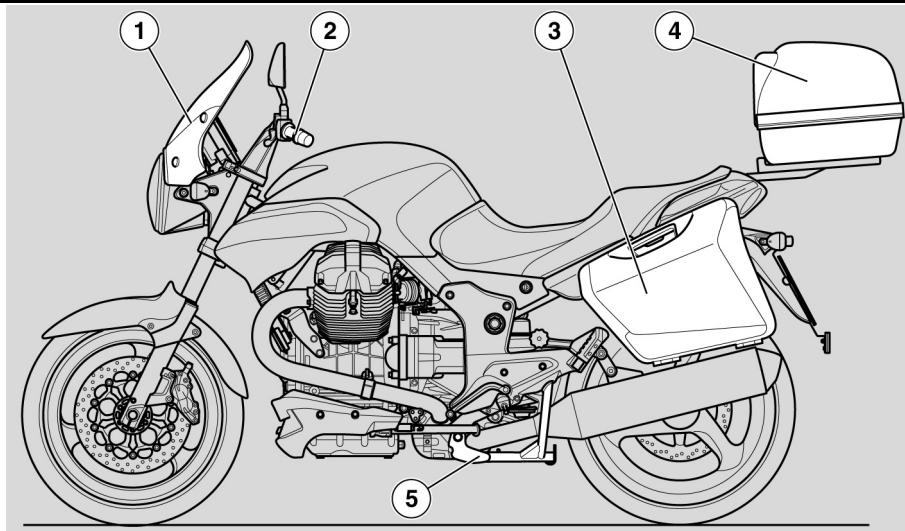
Product	Description	Specifications
---------	-------------	----------------

AGIP RACING 4T 10W-60	Engine oil	SAE 10W - 60. As an alternative to the recommended oils, you can also use brand name oils with performance that meets or exceeds the CCMC G-4 A.P.I. SG standards.
AGIP ROTRA MP 80 W 90	Transmission oil	-
AGIP ROTRA MP/S 85 W 90	Transmission oil	-
AGIP FORK 5W or FORK 20W	Fork oil	SAE 5W / SAE 20W
AGIP GREASE SM2	Lithium grease with molybdenum for bearings and other points needing lubrication	NLGI 2
Neutral grease or petroleum jelly.	Battery poles	
AGIP BRAKE 5.1 DOT 4 (the brake system is also compatible with DOT 5)	Brake fluid	As an alternative to the recommended brake fluid, you can also use fluids that meet or exceed the SAE J1703, NHTSA 116 DOT 4, ISO 4925 standards for synthetic brake fluid.

# Breva V1100



**Chap. 07**  
**Special fittings**



07\_01

## Index accessoires (07\_01)

The following accessories are available:

1. windshield
2. heated handgrips
3. side bags
4. glove compartment
5. center stand

- electronic antitheft

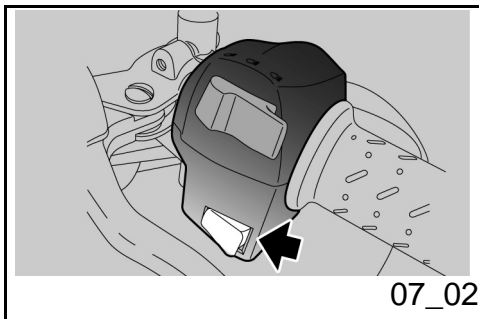
## Heated handgrips (07\_02)

This accessory may be installed on your vehicle, in some versions they are factory-standard.

To use this function:

- to activate it, press and hold the button;
- pressing it briefly allows you to regulate the intensity;
- to deactivate it, press and hold the button.

When you turn off the engine, the heating function also turns off. The next time you turn on the engine, the heated handgrip system will reactivate to the last power setting selected.



07\_02

## Center stand (07\_03, 07\_04)

- Grip the left lever and the handle.



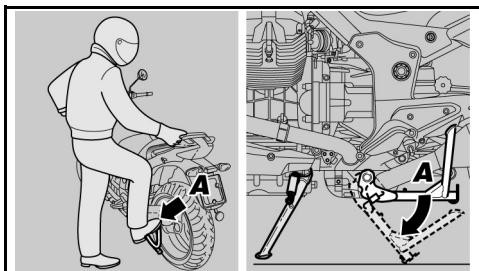
**PUSH THE SIDE STAND WITH YOUR RIGHT FOOT, EXTENDING IT COMPLETELY IN ORDER TO AVOID YOUR VEHICLE FALLING OR FLIPPING OVER, IN THE CASE THAT IT LOSES BALANCE.**

- Push on the central stand lever (Pos. A) and rest it on the ground.

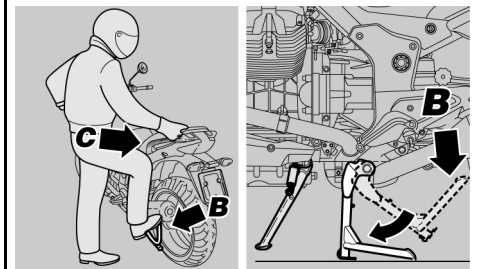


**ACT WITH CAUTION**

**POSITIONING THE VEHICLE ON THE CENTRAL STAND CAN BE DIFFICULT BECAUSE OF THE VEHICLE'S SIGNIFICANT WEIGHT. LET GO OF THE LEVER AND HANDLE ONLY AFTER HAVING POSITIONED THE VEHICLE ON THE STAND.**



07\_03



07\_04

- Put the weight onto the lever (Pos. B) of the central stand, and at the same time, move the vehicle's center of gravity towards the rear (Pos. C) of the vehicle.
- Return the side stand to its position.



## THE VALUE OF GOOD SERVICE

Only the mechanics of the official Moto Guzzi Service Network know this vehicle well, thanks to constant technical professional development and Moto Guzzi-specific training programs, and have the tools needed to carry out maintenance and repair operations correctly.

The bike's reliability also depends on its mechanical condition. Checking the vehicle before setting off, carrying out routine maintenance and using only Moto Guzzi Original Spare parts is key!

To find your nearest Official Dealer and or Service Center, use the Yellow Pages or the map provided on our Official Internet Site:

[www.motoguzzi.it](http://www.motoguzzi.it)

Only by asking for Moto Guzzi Original Spare Parts will you get a product designed and tested during the vehicle's development phase. Moto Guzzi Original Spare Parts are subject to systematic quality control procedures so that their reliability and performance over time is guaranteed.

The descriptions and illustrations supplied in this publication are not meant to be binding. While the basic features as described and illustrated in this manual remain unchanged, Moto Guzzi reserves the right, at any time and without being required to update this publication beforehand, to make any changes to components, parts or accessory supplies which it deems necessary to improve the product, or which are required for manufacturing or commercial reasons.

Not all versions shown in this publication are available in all countries. The availability of individual versions should be checked with the official Moto Guzzi Sales Network.

© Copyright 2006- Moto Guzzi. All rights reserved. Reproduction in whole or in part of this publication is prohibited. Moto Guzzi - After sales service.