



MOTO GUZZI

125^{CC} *SPORT*
and SCRAMBLER

SPARE PARTS CATALOG

2ND EDITION



MOTO GUZZI

FACTORY AND OFFICES: Mandello del Lario (Como)

Via Emanuele V. Parodi, 57

Telephones: Mandello del Lario 71.112 (4 lines)

Telegrams: MOTOGUZZI - Mandello Lario

HEAD OFFICE: Via Andegari, 4

Telephone: 890632

SPORTING OFFICE:

Milan

Via Gargano, 46

Telephones: 539.414.7 - 539.415.8

BRANCH OFFICE:

Milan

Via Domodossola, 17

Telephone: 311.105

Naples

Piazza Municipio, 84

Telephone: 310.581

Telegrams: MOTOGUZZI - Naples

125^{CC} SPORT

and SCRAMBLER

SPARE PARTS CATALOG

2ST EDITION

CONDITIONS OF SALE FOR SPARE PARTS

- SALES — All supplies of spare parts are subject to the availability of the goods at the time the order is received.
- PRICES — All prices quoted in the official price list are net ex-works prices.
Any tax or charge inherent to the buying and selling transaction shall be entirely on the buyers.
- DELIVERY AND SHIPMENT — Moto Guzzi shall not be held responsible for any delayed delivery.
Any indicated term is only informative and not binding.
All goods travel at the full risk of the buyers, including C.O.D. deliveries.
- DISTRIBUTORS — Any order taken by the Distributor shall in no way bind Moto Guzzi who reserves itself the right to decide its execution or not.
- CLAIMS — Every claim for parts received in a damaged condition, not corresponding to the order or short supplied, shall be made within 8 days from the receipt of such parts. Claims received after such period shall not be considered.
- LIABILITY — Moto Guzzi will not be liable for any damages to persons or property arising from the use of its products, even if such damages be caused by structural or machining defects of the material supplied.

HOW TO ORDER

Each and every spare part order should contain the following information:

- Transport means required
- Order No.
- Name of part
- Quantity

All original Moto Guzzi parts are stamped with the registered trade marks.

GENERAL CHARACTERISTICS « SPORT » MODEL

ENGINE

Single cylinder, four stroke, bore 52 mm. (2.043"), stroke 58 mm, (2.283"), swept volume 123.175 cc. (7.515 cu. in.), compression ratio 9.8 : 1, output 12 HP.

Cylinder barrel

Of light alloy with special cast iron inserted liner.

Cylinder head

Of light alloy with valve gearing in oil bath.

Crankcase

Bottom part heavily finned for better oil cooling.

Valve operation

Overhead valves, push rods and rocker operated.
Push rods timed by camshaft and flat bottom tappet. Normal rocker-valve clearance (cold engine)

- inlet 0.10 mm. (.0039")
- exhaust 0.15 mm. (.0059").

Fuel feed

By gravity from the tank.

Ignition

By flywheel alternator (6 V - 28 W) with external H.T. coil.

Spark plug:

- for normal cruising: Marelli No. 225 (Bosch thermic scale);
- for long distance cruising: Marelli No. 260 (Bosch thermic scale).

Lubrication

Forced, by gear pump and detachable filter.

Cooling

By air, cylinder and cylinder head deeply finned.

Clutch

Multiplate discs in oil bath (5 discs).

Transmission

Primary drive by helical gears (engine-gearbox) secondary drive by roller chain.

| | |
|----------------------------------|-------------------|
| Engine-gearbox ratio | 2.8 to 1 (25-70) |
| Gearbox-sprocket ratio | 2.94 to 1 (16-47) |

Overall gear ratios:

| | |
|-----------------------|-----------|
| Bottom gear | 25 to 1 |
| Second gear | 14.9 to 1 |
| Third gear | 10.6 to 1 |
| Top gear | 8.2 to 1 |

Gear box

Constant mesh gears, 4 speeds foot operated.

Ratios:

| | |
|-----------------------|-----------|
| Bottom gear | 1 to 3.04 |
| Second gear | 1 to 1.81 |
| Third gear | 1 to 1.29 |
| Top gear | 1 to 1 |

FRAME

Welded tubular structure.

Front suspension: telescopic fork with hydraulic dampers.

Rear suspension: swinging arm and coil spring on the dampers.

Handlebar: raised type, adjustable.

Seat: dual seat.

Brakes: expanding on both wheels. Front, hand operated - rear, foot operated.

Wheels: spoked steel rims 17 x 2 1/4.

Tires: front 2 1/2 x 17 ribbed, rear 2.75 x 17 R block tread.

Tire pressure:

| | |
|---|--|
| front tire abt. 1.7 kgs/mm ² (abt. 24 lbs/sq. in.) solo | |
| front tire abt. 1.85 kgs/mm ² (abt. 26 lbs/sq. in.) with pillion | |
| rear tire abt. 1.85 kgs/mm ² (abt. 26 lbs/sq. in.) solo | |
| rear tire abt. 2.8 kgs/mm ² (abt. 35 lbs/sq. in.) with pillion | |

Overall dimension and weight:

| | |
|------------------------------------|--------------------------|
| wheelbase | 1.250 mts. (abt. 49.23") |
| length | 1.900 mts. (abt. 74.80") |
| width | 0.720 mts. (abt. 28.34") |
| height (dry) | 1.030 mts. (abt. 40.56") |
| minimum ground clearance | 0.160 mts. (6.30") |
| dry weight | abt. 93 kgs. (205 lbs) |

Performances: the maximum permissible speeds in each gear are marked off on the speedometer:

| | |
|-----------------------|-----------------------|
| bottom gear | kms. 33 (20.5 m.p.h.) |
| second gear | kms. 55 (34.1 m.p.h.) |
| third gear | kms. 77 (47.8 m.p.h.) |
| top gear | kms. 112 (70 m.p.h.) |

Maximum gradient climbable: 31%.

Fuel consumption: 2.7 lts. for 100 kms. (about 104 m.p.g. imp. 87 m.p.g. USA, measured according to CUNA standards).

Fuel replenishments: petrol tank capacity 12.5 litres (Imp. gall. 2,749, US gall. 3,302 including a reserve of about 2 litres (Imp. gall. 0.439, US gal. 0.528). Use only high grade petrol. Oil sump in crankcase. Quantity required: abt. 1.9 (0.439 Imp. gall., 0.501 US gall.).



Fig. 1 - Left hand view « Scrambler » Model

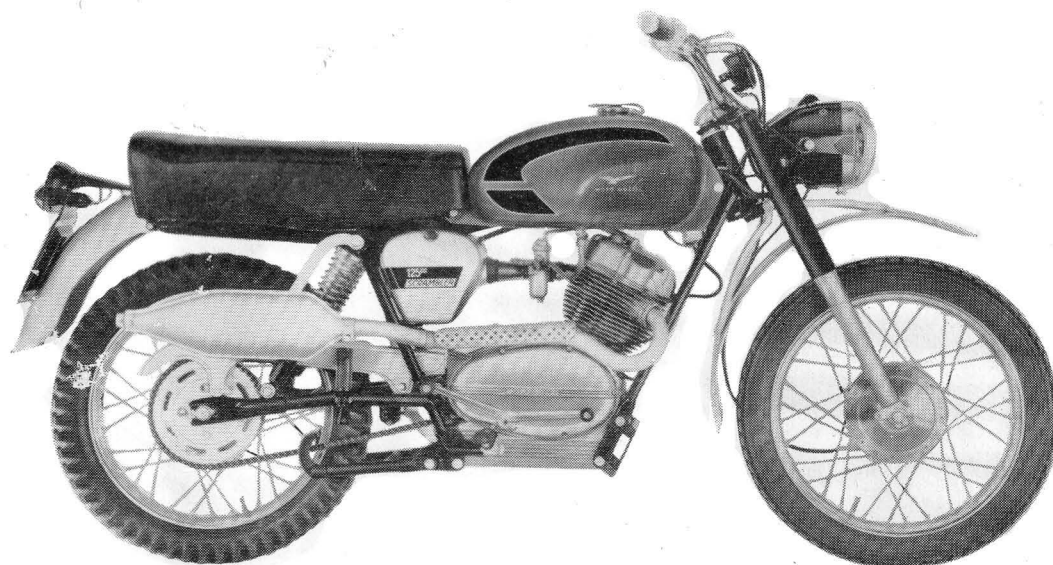


Fig. 2 - Right hand view « Scrambler » Model

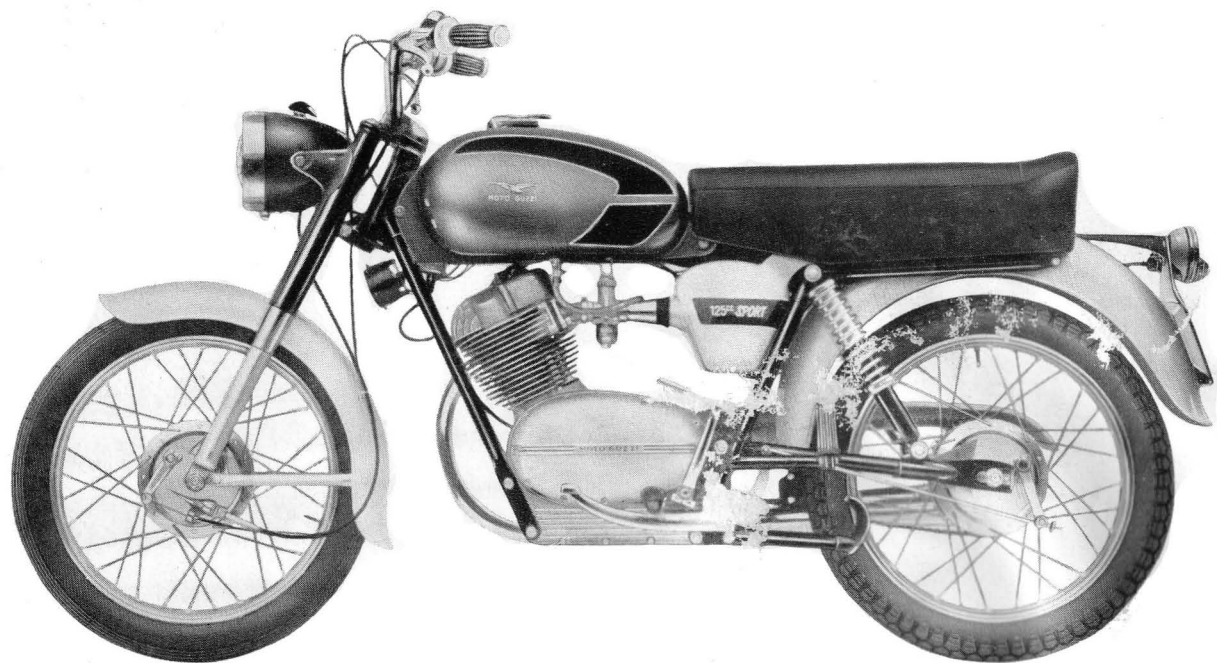


Fig. 1 - Left hand view « Sport » Model

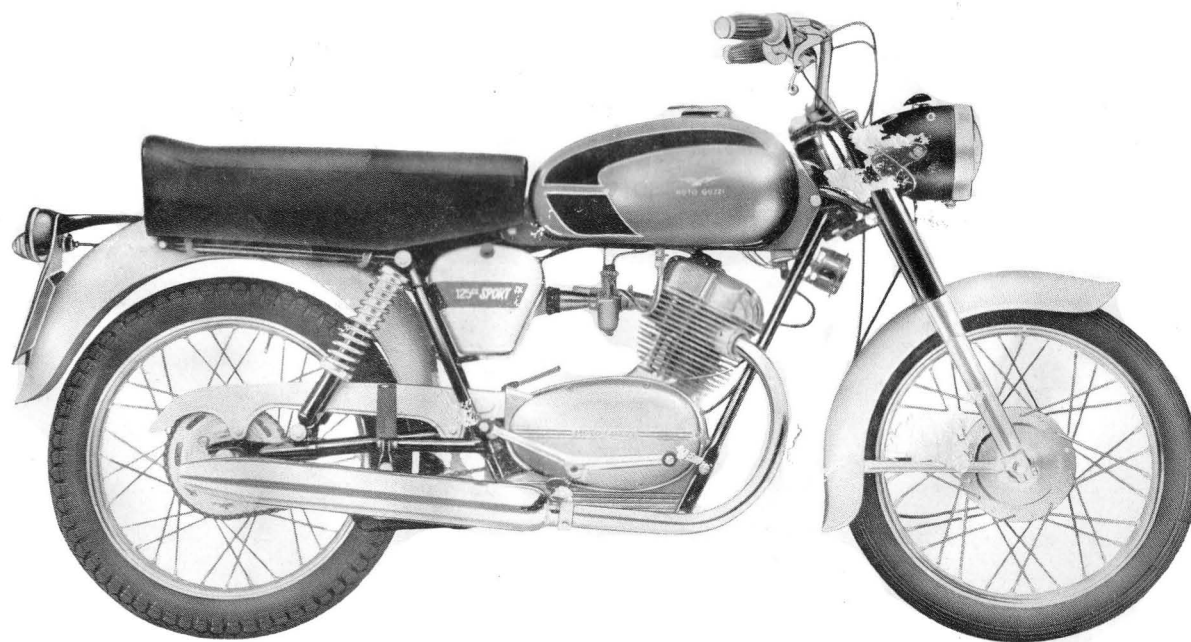


Fig. 2 - Right hand view « Sport » Model

ENGINE

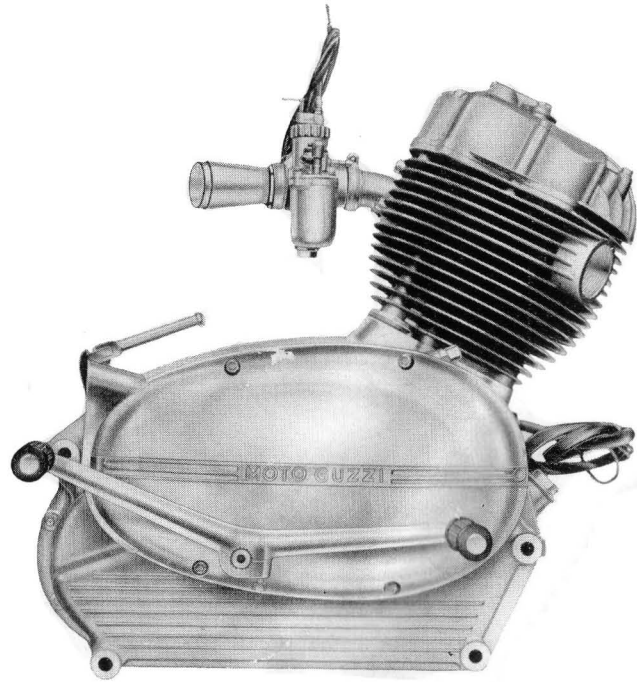


Fig. 3 - Right hand view

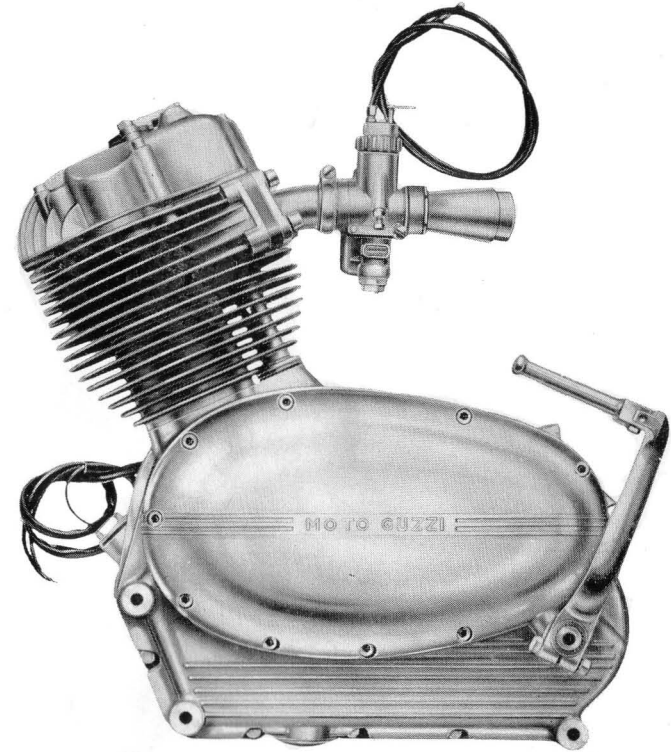


Fig. 4 - Left hand view

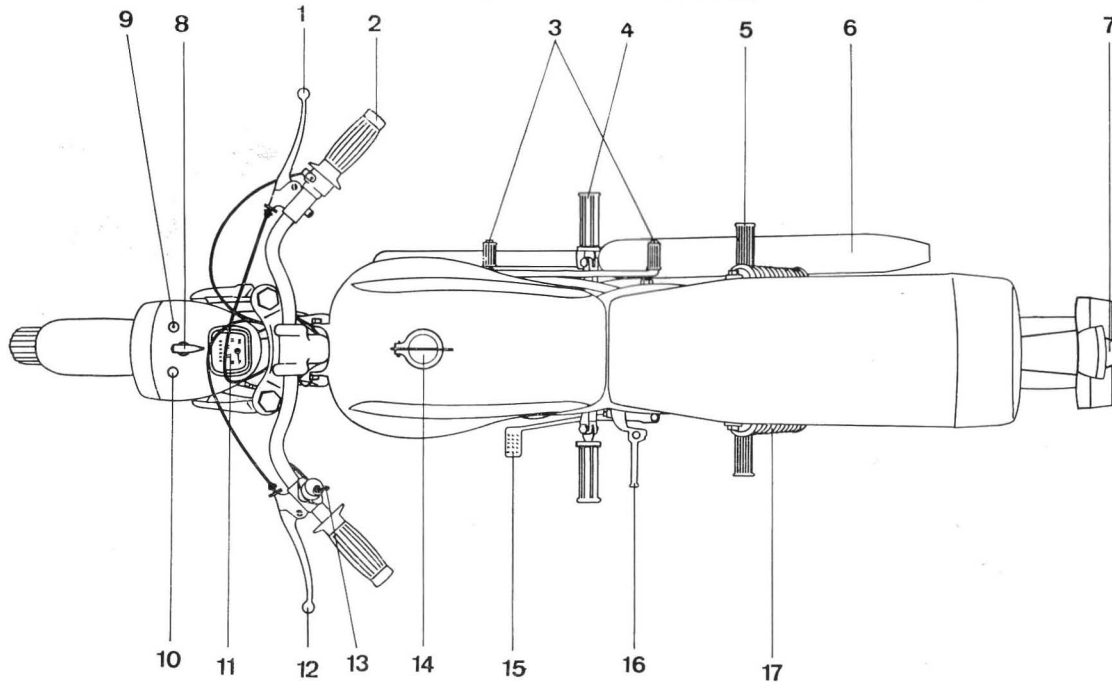


Fig. 5

CONTROLS and ACCESSORIES

(Fig. 5)

- 1 - Front brake lever.
- 2 - Twist grip throttle control.
- 3 - Gearshift.
- 4 - Folding foot rest.
- 5 - Folding foot rest, pillion rider.
- 6 - Muffler.
- 7 - Tail lamp for plate illumination and stop light.
- 8 - Ignition key.
- 9 - Blue warning light, main light on.
- 10 - Green warning light, town driving and parking light.
- 11 - Speedometer.
- 12 - Clutch lever.
- 13 - Dip switch and horn button.
- 14 - Petrol filler cap.
- 15 - Rear brake pedal.
- 16 - Kickstarter.
- 17 - Rear suspension and hydraulic shock absorbers.

GENERAL CHARACTERISTICS « SCRAMBLER » MODEL

ENGINE

Single cylinder, four stroke, bore 52 mm. (2.043"), stroke 58 mm, (2.283"), swept volume 123.175 cc. (7.515 cu. in.), compression ratio 9.8 : 1, output 12 HP.

Cylinder barrel

Of light alloy with special cast iron inserted liner.

Cylinder head

Of light alloy with valve gearing in oil bath.

Crankcase

Bottom part heavily finned for better oil cooling.

Valve operation

Overhead valves, push rods and rocker operated.
Push rods timed by camshaft and flat bottom tappet. Normal rocker-valve clearance (cold engine)
— inlet 0.10 mm. (.0039")
— exhaust 0.15 mm. (.0059").

Fuel feed

By gravity from the tank.

Ignition

By flywheel alternator (6 V - 28 W) with external H.T. coil.
Spark plug:
— for normal cruising: Marelli No. 260 (Bosch thermic scale);

Lubrication

Forced, by gear pump and detachable filter.

Cooling

By air, cylinder and cylinder head deeply finned.

Clutch

Multiplate discs in oil bath (5 discs).

Transmission

Primary drive by helical gears (engine-gearbox) secondary drive by roller chain.

| | |
|----------------------------------|------------------|
| Engine-gearbox ratio | 2.8 to 1 (25-70) |
| Gearbox-sprocket ratio | 3.2 to 1 (15-48) |

Overall gear ratios:

| | |
|-----------------------|-----------|
| Bottom gear | 27,2 to 1 |
| Second gear | 16,2 to 1 |
| Third gear | 11,5 to 1 |
| Top gear | 8.9 to 1 |

Gear box

Constant mesh gears, 4 speeds foot operated.

Ratios:

| | |
|-----------------------|-----------|
| Bottom gear | 1 to 3.04 |
| Second gear | 1 to 1.81 |
| Third gear | 1 to 1.29 |
| Top gear | 1 to 1 |

FRAME

Welded tubular structure.

Front suspension: telescopic fork with hydraulic dampers.

Rear suspension: swinging arm and coil spring on the dampers.

Handlebar: raised type, adjustable.

Seat: dual seat.

Brakes: expanding on both wheels. Front, hand operated - rear, foot operated.

Wheels: spoked steel rims 17 x 2 1/4.

Tires: front 2.75 x 17 Block Tread; rear 3.00 x 17 Special for motocross.

Tire pressure:

| |
|---|
| front tire abt. 1.7 kgs/mm ² (abt. 24 lbs/sq. in.) solo |
| front tire abt. 1.85 kgs/mm ² (abt. 26 lbs/sq. in.) with pillion |
| rear tire abt. 1.85 kgs/mm ² (abt. 26 lbs/sq. in.) solo |
| rear tire abt. 2.8 kgs/mm ² (abt. 35 lbs/sq. in.) with pillion |

Overall dimension and weight:

| | |
|------------------------------------|------------------------------|
| wheelbase | 1.250 mts. (abt. 49.23") |
| length | 1.900 mts. (abt. 74.80") |
| width | 0.740 mts. (abt. 29.13") |
| height (dry) | 1.040 mts. (abt. 40.94") |
| minimum ground clearance | 0.180 mts. (abt. 7.08") |
| dry weight | abt. 95 kgs. (abt. 210 lbs.) |

Performances: the maximum permissible speeds in each gear are marked off on the speedometer:

| | |
|-----------------------|-----------------------|
| bottom gear | kms. 30 (18.6 m.p.h.) |
| second gear | kms. 51 (31.7 m.p.h.) |
| third gear | kms. 71 (44.1 m.p.h.) |
| top gear | kms. 93 (57.8 m.p.h.) |

Maximum gradient climbable: 33%.

Fuel consumption: 3 lts. for 100 kms. (about 94 m.p.g. imp. abt. 78 m.p.g. USA, measured according to CUNA standards).

Fuel replenishments: petrol tank capacity 12.5 litres (Imp. gall. 2,749, US gall. 3,302 including a reserve of about 2 litres (Imp. gall. 0.439, US gal. 0.528). Use only high grade petrol. Oil sump in crankcase. Quantity required: abt. 1.9 (0.439 Imp. gall., 0.501 US gall.).

INDEX TO PLATES

| MODEL | MAIN GROUP | G R O U P | PLATE No. |
|-------------------|-----------------------------|--|-----------|
| 125 cc. SPORT | ENGINE | Cylinder - Cylinder head - Rocker box - Rocker - Valves - Inlet pipe | 1 |
| | | Crankcase - Covers - Oil pump | 2 |
| | | Crankshaft - Connecting rod - Piston - Camshaft - Timing gears | 3 |
| | FRAME | Petrol tank - Exhaust pipe - Muffler | 4 |
| | ENGINE | Carburetor | 5 |
| | TRANSMISSION | Clutch - Clutch operating levers - Kickstarter | 6 |
| | GEAR BOX | Gears - Shafts - Gear control | 7 |
| | FRAME | Frame - Rear fender - Seat - Centre stand - Tool box | 8 |
| | SUSPENSION | Front suspension - Steering - Front fender | 9 |
| | STEERING | Handlebar and Control levers | 10 |
| | SUSPENSION | Swinging fork - Rear dampers - Chain guard | 11 |
| | FRAME | Front wheel - Hub - Front brake - Speedometer | 12 |
| | FRAME | Rear wheel - Hub - Rear brake | 13 |
| | ELECTRICAL SYSTEM | Flywheel - Outer coil - Spark plug | 14 |
| | LIGHTING EQUIPMENT | Battery - Headlight - Plate number - Tail light - Stop cutout - Horn - Cable harness | 15 |
| TOOLKIT | Standard tool kit | 16 | |
| SCRAMBLER 125 cc. | VARIABLES | Exhaust pipe - Muffler - Handlebar - Engine and Chain sprockets - Kickstart | 17 |
| | | Front fender - Rear fender - Chain guard - Dual seat | 18 |

NUMERICAL INDEX

(SPORT AND SCRAMBLER)

| Order No. | Plate No. | Figure No. | Order No. | Plate No. | Figure No. | Order No. | Plate No. | Figure No. | Order No. | Plate No. | Figure No. | Order No. | Plate No. | Figure No. | Order No. | Plate No. | Figure No. |
|-----------|-----------|------------|-----------|-----------|------------|-----------|-----------|------------|-----------|-----------|------------|-----------|-----------|------------|-----------|-----------|------------|
| 11333500 | 13 | 24 | 32478500 | 8 | 28 | 55030225 | 1 | 32 | 55060925 | | | 55123076 | 17 | 30 | 55262300 | 6 | 47 |
| 11901000 | 16 | 13 | 32478600 | 8 | 29 | 55030425 | 1 | 34 | 55060926 | | | 55124076 | 17 | 28 | 55262585 | 6 | 49 |
| 16902300 | 16 | 14 | 32551600 | 11 | 24 | 55031825 | 1 | 37 | 55060927 | | | 55127025 | 4 | 29 | 55264500 | 6 | 59 |
| 24085200 | 6 | 23 | 32614700 | 12 | 29 | 55036025 | 1 | 26 | 55060928 | | 3 20/1 | 55127076 | 17 | 20 | 55265600 | 6 | 61 |
| 24103901 | | | | 13 | 36 | 55036125 | 1 | 27 | 55060929 | | | 55128776 | 17 | 25 | 55265700 | 6 | 57 |
| 24104001 | | | 32717000 | 14 | 37 | 55036626 | 1 | 28 | 55061225 | | 3 18 | 55129076 | 17 | 21 | 55265900 | 6 | 58 |
| 24104601 | | | 32741101 | 15 | 48 | 55037025 | 1 | 25 | 55061426 | | 3 13/1 | 55142300 | 2 | 40 | 55266400 | 6 | 39 |
| 24104701 | 4 | 11 | 32902000 | 16 | 11 | 55038025 | 1 | 23 | 55061526 | | 3 13 | 55146525 | 2 | 50 | 55266900 | 6 | 42 |
| 24104801 | | | 32902400 | 16 | 15 | 55038050 | 17 | 11 | 55064026 | | 3 10 | 55147700 | 2 | 49 | 55267100 | 6 | 40 |
| 24104901 | | | 32917700 | 4 | 22 | 55038125 | 1 | 22 | 55064325 | | 3 10/2 | 55147800 | 2 | 51 | 55330525 | 7 | 37 |
| 24105001 | | | 32917800 | 4 | 21 | 55040500 | 3 | 22 | 55064425 | | 3 10/1 | 55148500 | 2 | 52 | 55330550 | 17 | 13 |
| 24331900 | 7 | 38 | | 8 | 42/1 | 55045025 | 3 | 35 | 55065025 | | 3 11 | 55150025 | 2 | 57 | 55332276 | 13 | 45 |
| 24336800 | 13 | 43 | 9 | 47/1 | 55045800 | 3 | 34 | 55065400 | | 3 23 | 55150125 | 2 | 58 | 55333276 | 17 | C | |
| 24434000 | 8 | 36 | 32917900 | 4 | 21 | 55046025 | 3 | 36 | 55067100 | | 3 28 | 55150225 | 2 | 59 | 55333775 | 17 | B |
| 24492725 | 9 | 32 | 36443200 | 8 | 21 | 55046925 | 3 | 37 | 55070225 | | 3 24 | 55151700 | 2 | 42 | 55333776 | 17 | 14 |
| 24504525 | 9 | 28 | 36515200 | 9 | 40 | 55053300 | 3 | 33 | 55080400 | | 6 21 | 55152200 | 2 | 44 | 55333777 | 17 | A |
| 24513325 | 17 | 39 | 36603400 | 10 | 26 | 55060230 | 3 | | 55081100 | | 6 13 | 55152225 | 2 | 56 | 55333785 | 13 | 44 |
| 24513425 | 9 | 38 | 36901900 | 16 | 10 | 55060231 | | | 55081600 | | 6 12 | 55153600 | 2 | 55 | 55336601 | 13 | 16 |
| 24515000 | 9 | 42 | 36905000 | 16 | 12 | 55060232 | | | 55081700 | | 6 11 | 55154300 | 2 | 45 | 55335200 | 13 | 42 |
| 24515100 | 9 | 43 | 38030800 | 1 | 33 | 55060233 | 3 | 19/1 | 55082201 | | 6 17 | 55158200 | 1 | 20 | 55336301 | 13 | 15 |
| 24525425 | 9 | 19 | 38237700 | 7 | 26 | 55060234 | | | 55082301 | | 6 16 | 55210500 | 7 | 34 | 55400201 | 8 | 10 |
| 24525925 | 9 | 16 | 38262100 | 6 | 51 | 55060430 | | | 55082600 | | 6 18 | 55211300 | 7 | 42 | 55400275 | 17 | 31 |
| 24526025 | 9 | 17 | 38262200 | 6 | 53 | 55060431 | | | 55082900 | | 6 20 | 55211400 | 7 | 41 | 55408450 | 18 | 23 |
| 24527400 | 9 | 25 | 38717400 | 14 | 36 | 55060432 | | | 55083800 | | 6 44 | 55212600 | 7 | 39 | 55430300 | 8 | 37 |
| 24527525 | 9 | 24 | 55000125 | 2 | 12 | 55060433 | 3 | 19 | 55083500 | | 6 25 | 55213000 | 7 | 40 | 55430375 | 18 | 20 |
| 24527625 | 9 | 27 | 55000200 | 2 | 10 | 55060434 | | | 55090101 | | 6 27 | 55213600 | 7 | 44 | 55433900 | 8 | 35 |
| 24527725 | 9 | 20 | 55000900 | 2 | 18 | 55060625 | | | 55090975 | | 2 13 | 55214000 | 7 | 45 | 55434325 | 9 | 47 |
| 24528125 | 9 | 22 | 55001200 | 2 | 16 | 55060626 | | | 55091300 | | 6 28 | 55214400 | 7 | 47 | 55434375 | 18 | 11 |
| 24610800 | 12 | 11 | 55001600 | 2 | 15 | 55060627 | | | 55091601 | | 6 32 | 55214700 | 7 | 48 | 55434825 | 9 | 48 |
| | 13 | 11 | 55001700 | 2 | 17 | 55060628 | 3 | 21/1 | 55093075 | | 6 34 | 55230500 | 7 | 32/1 | 55436525 | 9 | 51 |
| 24611525 | 12 | 12 | 55012400 | 2 | 28 | 55060629 | | | 55100285 | | 4 10 | 55232400 | 7 | 33 | 55437025 | 8 | 42 |
| | 13 | 12 | 55012700 | 2 | 35 | 55060700 | | | 55105426 | | 4 20 | 55234400 | 7 | 27 | 55437075 | 18 | 10 |
| 24633625 | 13 | 38 | 55020225 | 1 | 49 | 55060701 | | | 55112485 | | 5 10 | 55234700 | 7 | 31 | 55438775 | 18 | 12 |
| 25105400 | 4 | 20 | 55020800 | 1 | 50 | 55060702 | 3 | 20 | 55114450 | | 5 50 | 55235200 | 7 | 29 | 55438885 | 8 | 43 |
| 32034000 | 3 | 15 | 55021825 | 1 | 52 | 55060703 | | | 55115025 | | 1 47 | 55236400 | 7 | 19 | 55440285 | 8 | 17 |
| 32085700 | 6 | 26 | 55022225 | 1 | 21 | 55060704 | | | 55115525 | | 1 48 | 55236800 | 7 | 14 | 55440485 | 8 | 18 |
| 32103400 | 4 | 17 | 55023025 | 1 | 14 | 55060900 | | | 55117585 | | 5 52 | 55237800 | 7 | 16 | 55441385 | 8 | 19 |
| 32103500 | 4 | 18 | 55023300 | 1 | 18 | 55060901 | | | 55120225 | | 4 27 | 55237900 | 7 | 20 | 55441585 | 8 | 20 |
| 32114300 | 5 | 51 | 55023525 | 1 | 10 | 55060902 | | | 55120725 | | 4 25 | 55238200 | 7 | 15 | 55442300 | 8 | 47 |
| 32251000 | 7 | 11 | 55023725 | 1 | 11 | 55060903 | 3 | 21 | 55120776 | | 17 16 | 55238500 | 7 | 21 | 55443385 | 8 | 49 |
| 32330500 | 7 | 37 | 55024800 | 1 | 42 | 55060904 | | | 55121976 | | 17 19 | 55250900 | 7 | 10 | 55460576 | 18 | 19 |
| 32333100 | 13 | 23 | 55026125 | 1 | 31 | | | | 55123030 | | 4 33 | 55250950 | 17 | 32 | 55460585 | 8 | 38 |
| | | | | | | | | | | | | 55260285 | 6 | 45 | 55463285 | 8 | 39 |

| Order No. | Plate No. | Figure No. | Order No. | Plate No. | Figure No. | Order No. | Plate No. | Figure No. | Order No. | Plate No. | Figure No. | Order No. | Plate No. | Figure No. | Order No. | Plate No. | Figure No. | |
|-----------|-----------|------------|-----------|-----------|------------|-----------|-----------|------------|-----------|-----------|------------|-----------|-----------|------------|-----------|-----------|------------|----|
| 55473001 | 11 | 16 | 55622100 | 12 | 25 | 55739985 | 15 | 42/1 | 55932285 | 5 | 29 | 90402030 | 2 | 39 | 92295706 | 6 | 24 | |
| 55473075 | 18 | 18 | | 13 | 25 | 55740385 | 15 | 22 | 55932385 | 5 | 17 | 90511730 | 3 | 38 | | 17 | 15 | |
| 55474985 | 15 | 37 | | 12 | 21 | 55740386 | 15 | 22/2 | 55932485 | 5 | 18 | 90561525 | 6 | 46 | | 92296751 | 3 | 16 |
| 55476085 | 8 | 26 | 55622500 | 13 | 21 | 55740585 | 15 | 14 | 55932585 | 5 | 19 | 90562537 | 9 | 23 | 92602206 | 2 | 34 | |
| 55476200 | 8 | 27 | | 12 | 20 | 55741385 | 15 | 46 | 55932885 | 5 | 11 | 90565566 | 12 | 18 | | 7 | 23 | |
| 55490275 | 9 | 10 | | 12 | 26 | 55741785 | 15 | 42 | 55932985 | 5 | 12 | 90706156 | 9 | 29 | | 8 | 30 | |
| 55490276 | 17 | 38 | 55630276 | 18 | 25 | 55741985 | 15 | 45 | 55933085 | 5 | 27 | 90706310 | 9 | 21 | 92602208 | 14 | 29 | |
| 55490625 | 9 | 33 | 55630285 | 13 | 10 | 55742585 | 15 | 28 | 55933185 | 5 | 28 | 90713231 | 12 | 28 | | 15 | 40 | |
| 55490725 | 9 | 34 | 55632200 | 13 | 13 | 55743085 | 15 | 27 | 55933285 | 5 | 26 | | 13 | 35 | | 17 | 24 | |
| 55493000 | 9 | 30 | 55633300 | 13 | 39 | 55743485 | 15 | 24 | 55933785 | 5 | 31 | 90714100 | 4 | 19 | 92602210 | 18 | 15 | |
| 55494000 | 9 | 35 | 55635200 | 13 | 18 | 55743700 | 15 | 13 | 55933985 | 5 | 32 | 90714195 | 2 | 41 | | 8 | 23 | |
| 55500200 | 10 | 11/1 | 55671401 | 13 | 20 | 55743985 | 15 | 29 | 55934085 | 5 | 16 | 90714302 | 2 | 43 | | 15 | 52 | |
| | 17 | 36 | 55676001 | 13 | 28 | 55744185 | 15 | 25 | 55934685 | 5 | 15 | 90716082 | 1 | 46 | 17 | 27 | | |
| 55500500 | 10 | 11 | 55676501 | 13 | 31 | 55744275 | 17 | 15 | 55934785 | 5 | 14 | 90716095 | 1 | 43 | 92602210 | 8 | 14 | |
| 55500700 | 10 | 13 | 55677000 | 13 | 32 | 55744885 | 15 | 26 | 55934985 | 5 | 13 | 90718325 | 4 | 26 | | 9 | 44 | |
| 55503076 | 18 | 22 | 55701600 | 14 | 28 | 55745285 | 15 | 47 | 55935085 | 5 | 43 | 91111110 | 7 | 46 | | 1 | 36 | |
| 55522525 | 9 | 11 | 55702200 | 14 | 27 | 55745885 | 15 | 43 | 55935185 | 5 | 48 | 91111514 | 2 | 32 | 92602406 | 9 | 54 | |
| 55522625 | 9 | 14 | 55704500 | 15 | 10 | 55746085 | 15 | 30 | 55935285 | 5 | 49 | 91111516 | 3 | 14 | | 10 | 19 | |
| 55540201 | 11 | 10 | 55705500 | 15 | 12 | 55747100 | 15 | 32 | 55935385 | 5 | 46 | 91112547 | 9 | 18 | | 92630106 | 13 | 17 |
| 55550225 | 11 | 23 | 55705600 | 15 | 11 | 55747117 | | | 55935585 | 5 | 34 | 91121215 | 2 | 37 | 92700050 | 15 | 49 | |
| 55552325 | 11 | 25 | 55707900 | 14 | 25 | 55747200 | | | 55935785 | 5 | 33 | 91122647 | 9 | 15 | 92700071 | 6 | 29 | |
| 55553600 | 11 | 11 | 55708600 | 14 | 26 | 55747325 | 55935985 | 5 | 37 | 91122824 | 6 | 14 | 92700072 | 6 | 37 | 92700073 | 6 | 54 |
| 55569400 | 11 | 15 | 55708800 | 14 | 21 | 55747900 | 55936285 | 5 | 39 | 91141215 | 2 | 38 | 8 | 41 | | | | |
| 55600176 | 17 | 10 | 55708900 | 14 | 19 | 55748885 | 55936385 | 5 | 38 | 91182005 | 3 | 25 | 11 | 19 | | | | |
| 55600276 | | 10 | 10 | 55709000 | 14 | 18 | 55749485 | 55936685 | 5 | 35 | 91180809 | 18 | 22/1 | 13 | 33 | | | |
| 55600185 | 10 | 10 | 55709100 | 14 | 17 | 55760426 | 55936885 | 5 | 36 | 91181272 | 6 | 50 | 92700122 | 7 | 17 | 92700125 | 12 | 14 |
| 55600285 | 10 | 10/1 | 55709300 | 14 | 16 | 55761626 | 55937185 | 5 | 42 | 91182005 | 3 | 25 | 92700166 | 6 | 10 | | | |
| 55601085 | 10 | 16 | 55709400 | 14 | 15 | 55762500 | 55937585 | 5 | 41 | 91551061 | 15 | 33 | 92701062 | 17 | 35 | | | |
| 55601985 | 10 | 25 | 55709800 | 14 | 20 | 55768685 | 55937785 | 5 | 40 | 91551081 | 8 | 46 | 92701086 | 2 | 47 | 92701087 | 1 | 29 |
| 55603000 | 10 | 28 | 55712400 | 14 | 10 | 55768885 | 55937885 | 5 | 47 | 91551098 | 2 | 46 | 4 | 12 | | | | |
| 55603500 | 10 | 27 | 55713000 | 14 | 28/1 | 55768985 | 55937985 | 5 | 45 | 91701237 | 3 | 27 | 8 | 11 | | | | |
| 55605485 | 10 | 14 | 55715000 | 14 | 24 | 55900400 | 55938185 | 5 | 44 | 91701345 | 3 | 26 | 92701104 | 11 | 12 | | | |
| 55605585 | 10 | 23 | 55715100 | 14 | 23 | 55911200 | 55938585 | 5 | 21 | 92201215 | 2 | 29 | | 92701106 | 1 | 53 | | |
| 55605600 | 10 | 15 | 55715600 | 14 | 22 | 55914585 | 55938685 | 5 | 23 | | 92201224 | 2 | | 36 | 92701124 | 3 | 30 | |
| 55605700 | 10 | 24 | 55716500 | 14 | 11 | 55917876 | 55938785 | 5 | 22 | 92201419 | 2 | 33 | 92701153 | 13 | 14 | 92701189 | 9 | 36 |
| 55610200 | 12 | 10 | 55716825 | 14 | 34 | 55917885 | 55938985 | 5 | 24 | 90118122 | 1 | 35 | 92750181 | 3 | 22 | | | |
| 55613200 | 12 | 13 | 55716850 | 18 | 21 | 55917886 | 55939085 | 5 | 25 | 90118880 | 6 | 15 | 93302106 | 15 | 36 | | | |
| 55614100 | 12 | 27 | 55717300 | 14 | 35 | 55917976 | 90118122 | 1 | 39 | 90271008 | 7 | 30 | 93302110 | 15 | 35 | 93302225 | 15 | 34 |
| 55615200 | 12 | 23 | 55718800 | 14 | 12 | 55917985 | 90271020 | 7 | 43 | 90351017 | 3 | 17 | 9 | 41 | | | | |
| 55620200 | 12 | 16 | 55718900 | 14 | 13 | 55917986 | 5 | 30 | | | | | | | | | | |
| 55620500 | 12 | 22 | 55719000 | 14 | 14 | 55932085 | 5 | 20 | | | | | | | | | | |
| | 13 | 22 | | 14 | 17/1 | 55932185 | 5 | 20 | | | | | | | | | | |

| Order No. | Plate No. | Figure No. | Order No. | Plate No. | Figure No. | Order No. | Plate No. | Figure No. | Order No. | Plate No. | Figure No. | Order No. | Plate No. | Figure No. | Order No. | Plate No. | Figure No. |
|-----------|-----------|------------|-----------|-----------|------------|-----------|-----------|------------|-----------|-----------|------------|-----------|-----------|------------|-----------|-----------|------------|
| 93450110 | 15 | 18 | 95100222 | 7 | 28 | 95790237 | 10 | 20 | 98108091 | 4 | 14 | | | | | | |
| 93450111 | 12 | 34 | 95100223 | 1 | 45 | 95980210 | 6 | 22 | 98108177 | 8 | 13 | | | | | | |
| 93450212 | 15 | 44 | 95100225 | 9 | 13 | 95985418 | 4 | 24 | 98108187 | 18 | 24 | | | | | | |
| 93450312 | 15 | 23 | 95100245 | 4 | 16 | 95985426 | 4 | 23 | 98110063 | 9 | 46 | | | | | | |
| 93701241 | 7 | 35 | 95100253 | 8 | 40 | 96508184 | 1 | 51 | 98110220 | 8 | 16 | | | | | | |
| 93701420 | 17 | 17 | | 18 | 19/1 | 98024310 | 17 | 29 | 98112231 | 11 | 13 | | | | | | |
| 93760072 | 10 | 21 | 95100291 | 11 | 22 | 98024312 | 8 | 33 | 98200412 | 15 | 31 | | | | | | |
| 94030061 | 12 | 17 | 95100308 | 9 | 45 | 98024412 | 18 | 14 | 98260415 | 2 | 60 | | | | | | |
| 94321044 | 6 | 41 | 95100311 | 1 | 54 | | 98024422 | 17 | 26 | 98303006 | 6 | 36 | | | | | |
| 94321049 | 7 | 25 | | 8 | 15 | 98024422 | 15 | 15 | 98304013 | 14 | 38 | | | | | | |
| 94321058 | 6 | 48 | 95100315 | 8 | 25 | 98050325 | 8 | 44 | 98305017 | 15 | 51 | | | | | | |
| 94321063 | 7 | 32 | 95100512 | 3 | 29 | 98052350 | 17 | 37 | 98306032 | 1 | 15 | | | | | | |
| 94321101 | 1 | 17 | 95100624 | 6 | 60 | 98106011 | 15 | 41 | 98326017 | 10 | 17 | | | | | | |
| 94321135 | 6 | 19 | 95100717 | 17 | 12 | 98106012 | 9 | 49 | 98345007 | 17 | 18 | | | | | | |
| 94321301 | 1 | 24 | 95100865 | 3 | 12 | 98106015 | 1 | 19 | 98346010 | 9 | 52 | | | | | | |
| 94321318 | 9 | 26 | 95101231 | 1 | 30 | | 2 | 61 | | 15 | 38 | | | | | | |
| 94322215 | 1 | 38 | | 2 | 48 | 8 | 32 | 98366013 | 6 | 52 | | | | | | | |
| 95001204 | 14 | 39 | 4 | 13 | 1 | 40 | 98384018 | 6 | 43 | | | | | | | | |
| 95021106 | 1 | 41 | 95101430 | 8 | 12 | 14 | 31 | 98386005 | 7 | 22 | | | | | | | |
| | 8 | 31 | | 3 | 31 | 17 | 22 | 98386010 | 2 | 14 | | | | | | | |
| 95100055 | 10 | 18 | 95101670 | 7 | 18 | 98106017 | 2 | 22 | 98386036 | 7 | 24 | | | | | | |
| | 18 | 16 | | 11 | 14 | | 12 | 19 | 98390935 | 11 | 21 | | | | | | |
| 95100117 | 15 | 50 | 95101833 | 12 | 15 | 98106021 | 13 | 19 | 98391048 | 8 | 24 | | | | | | |
| 95100122 | 1 | 16 | 95120065 | 9 | 37 | 98106022 | 17 | 33 | 98620318 | 10 | 22 | | | | | | |
| 95100130 | 2 | 27 | 95120075 | 9 | 31 | | 2 | 54 | 98706023 | 2 | 11 | | | | | | |
| | 1 | 13 | 95120085 | 14 | 33 | 7 | 12 | 6 | | 62 | | | | | | | |
| 95100133 | 2 | 23 | 95181025 | 13 | 41 | 98106028 | 14 | 32 | 98706059 | 1 | 12 | | | | | | |
| | 7 | 13 | 95190192 | 4 | 34 | 98106030 | 2 | 53 | 98708034 | 1 | 44 | | | | | | |
| 95100137 | 8 | 48 | 95190192 | 15 | 16 | 98106034 | 2 | 21 | 99105080 | 4 | 32 | | | | | | |
| | 9 | 50 | 95500222 | 7 | 36 | 98106043 | 2 | 20 | 99105146 | 8 | 34 | | | | | | |
| 95100139 | 14 | 30 | 95500325 | 9 | 39 | 98106055 | 2 | 19 | 99110062 | 2 | 30 | | | | | | |
| | 15 | 39 | 95716162 | 13 | 29 | 98106062 | 2 | 19/1 | 99110064 | 2 | 26 | | | | | | |
| 95100173 | 17 | 23 | 95716260 | 6 | 30 | 98107011 | 11 | 17 | Handbook | 16 | 19 | | | | | | |
| | 18 | 17 | 95716365 | 4 | 31 | 98107016 | 11 | 20 | | | | | | | | | |
| 95100139 | 2 | 23/1 | 95716824 | 4 | 30 | 98107035 | 6 | 56 | | | | | | | | | |
| | 10 | 12 | 95730260 | 13 | 27 | 98107520 | 13 | 34 | | | | | | | | | |
| 95100173 | 13 | 30 | 95780172 | 6 | 35 | 98108017 | 13 | 40 | | | | | | | | | |
| | 2 | 31 | 95790127 | 13 | 26 | 98108030 | 4 | 28 | | | | | | | | | |
| 95100173 | 8 | 45 | | 6 | 31 | 98108033 | 8 | 22 | | | | | | | | | |
| | 6 | 55 | | 6 | 33 | 98108036 | 9 | 12 | | | | | | | | | |
| | 11 | 18 | | 6 | 38 | | 4 | 15 | | | | | | | | | |

ILLUSTRATED PLATES

PLATE 1 "125" SPORT
Engine

GROUP: Cylinder - Cylinder head - Rocker box
Rockers - Valves - Inlet pipe

| Figure No. | Order No. | DESCRIPTION | Quantity | Notes |
|------------|-----------|--|----------|-------|
| 10 | 55023525 | Cover, rocker box | 1 | |
| 11 | 55023725 | Gasket, rocker box | 1 | |
| 12 | 98706059 | Screw, rocker box cover | 6 | |
| 13 | 95100130 | Washer, rocker box | 8 | |
| 14 | 55023025 | Nozzle, breather tube | 1 | |
| 15 | 98306032 | Screw, breather tube diaphragm | 1 | |
| 16 | 95100117 | Diaphragm, breather tube | 1 | |
| 17 | 94321101 | Spring, breather tube diaphragm | 1 | |
| 18 | 55023300 | Washer, breather tube nozzle | 1 | |
| 19 | 98106015 | Bolt, breather tube nozzle | 2 | |
| 20 | 55158200 | Breather tube, cylinder head to carburetor | 1 | |
| 21 | 55022225 | Cylinder head, c/w seats, guides, and lockring | 1 | |
| 22 | 55038125 | Semicones for valves | 4 | |
| 23 | 55038025 | Top collar, valve spring | 2 | |
| 24 | 94321301 | Spring, valve | 2 | |
| 25 | 55037025 | Collar, bottom, valve spring | 2 | |
| 26 | 55036025 | Valve, inlet | 1 | |
| 27 | 55036125 | Valve, exhaust | 1 | |
| 28 | 55036626 | Guide, inlet and exhaust | 2 | |
| 29 | 92701087 | Nut, cylinder bolt on crankcase | 3 | |
| 30 | 95101231 | Washer, cylinder bolt on crankcase | 3 | |
| 31 | 55026125 | Support, rocker arm | 1 | |
| 32 | 55030225 | Rocker arm, inlet valve, c/w bushes | 1 | |
| 33 | 38030800 | Bush, inlet and exhaust rocker arm | 4 | |
| 34 | 55030425 | Rocker arm, exhaust valve, c/w bushes | 1 | |
| 35 | 32034000 | Screw, inlet and exhaust, adjusting | 2 | |
| 36 | 92602406 | Nut, inlet and exhaust adjusting screw | 2 | |
| 37 | 55031825 | Shaft, rocker arms | 2 | |
| 38 | 94322215 | Spring, thrust, rocker arms | 2 | |
| 39 | 90118122 | Washer, adjusting | 4 | |
| 40 | 98106017 | Bolt, rocker shaft securing | 2 | |
| 41 | 95021106 | Washer, rocker shaft bolt | 2 | |
| 42 | 55024800 | Washer, cylinder head, right bolt | 3 | |
| 43 | 90716095 | Washer, cylinder head, left bolt | 1 | |
| 44 | 98708034 | Bolt, inlet tube securing | 3 | |
| 45 | 95100223 | Washer, inlet pipe bolt | 3 | |
| 46 | 90716082 | Washer, insulating, inlet pipe | 3 | |
| 47 | 55115025 | Inlet pipe | 1 | |
| 48 | 55115525 | Distance piece, inlet pipe to cylinder head | 1 | |
| 49 | 55020225 | Cylinder barrel | 1 | |
| 50 | 55020800 | Gasket, base | 1 | |
| 51 | 96508184 | Bolt, crankcase to cylinder head | 3 | |
| 52 | 55021825 | Hollow bolt, crankcase to cylinder head | 1 | |
| 53 | 92701106 | Nut hollow bolt | 1 | |
| 54 | 95100311 | Washer, hollow bolt nut | 1 | |

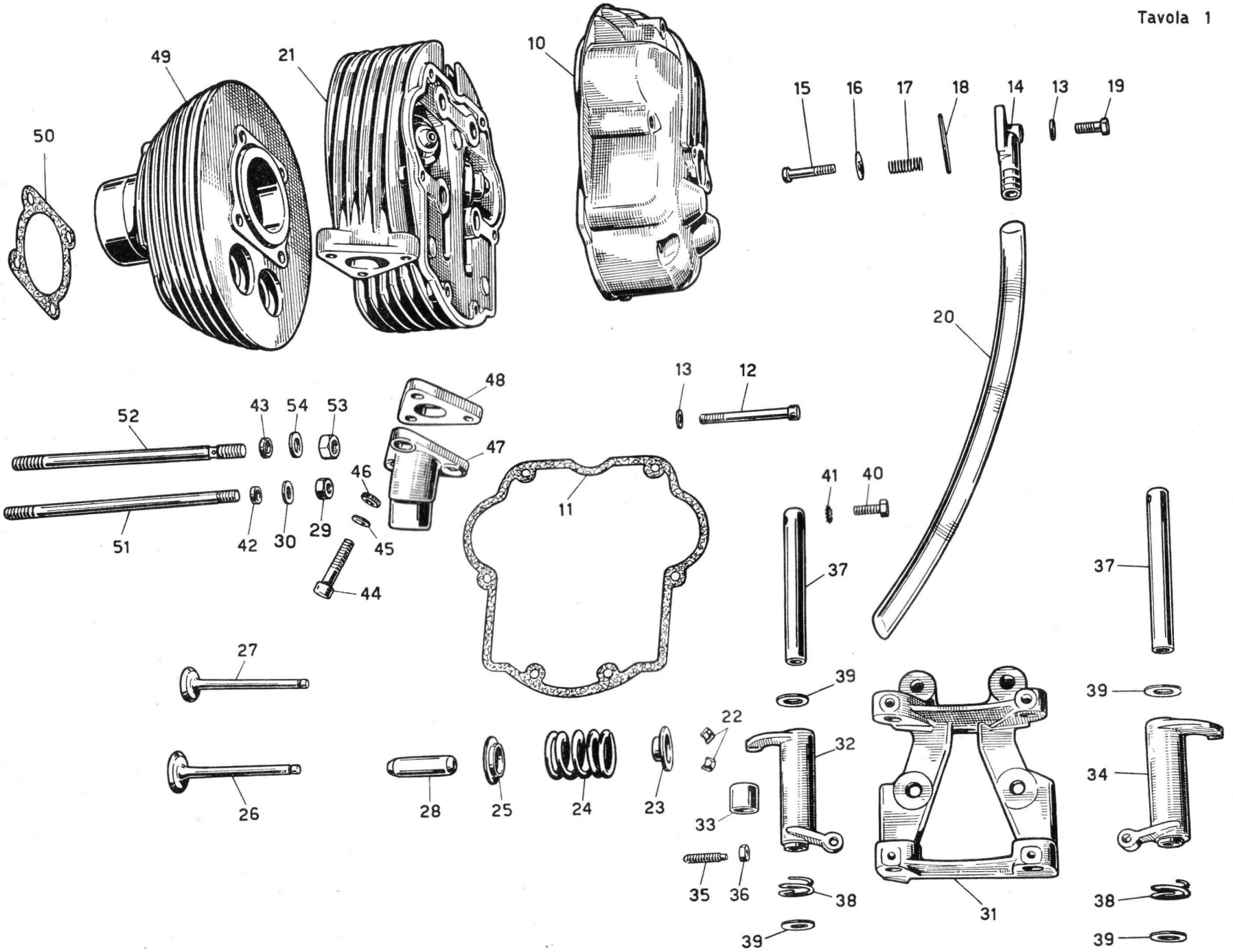


PLATE 2 "125" SPORT
Engine

GROUP: Crankcase - Covers - Oil Pump

| Figure No. | Order No. | DESCRIPTION | Quantity | Notes |
|------------|-----------|--|----------|-------|
| 10 | 55000200 | Cover, right side | 1 | |
| 11 | 98706023 | Screw, right and left cover | 15 | |
| 12 | 55000125 | Crankcase, complete with bushes and locating pins | 1 | |
| • 13 | 55090975 | Cover, control spindle | 1 | |
| 14 | 98386010 | Screw, roller bearing clamp, L/H crankcase | 2 | |
| 15 | 55001600 | Cover, left side | 1 | |
| 16 | 55001200 | Gasket, left cover | 1 | |
| 17 | 55001700 | Gasket, control spindle cover | 1 | |
| 18 | 55000900 | Gasket, centre crankcase | 1 | |
| 19 | 98106055 | Bolt, crankcase union | 4 | |
| 19/1 | 98106062 | Bolt, long, crankcase union and oil delivery tube to cylinder head | 1 | |
| 20 | 98106043 | Bolt, bottom crankcase union and control spindle | 6 | |
| 21 | 98106034 | Bolt, control spindle securing | 3 | |
| 22 | 98106021 | Bolt, crankcase union and spindle cover securing | 5 | |
| 23 | 95100130 | Washer, crankcase bolts, oil pump and lines | 20 | |
| 23/1 | 95100133 | Washer, long union screw and pump securing bolt | 2 | |
| 24 | 92201820 | Bearing, L/H crankcase (ball) | 1 | |
| 25 | 92230420 | Bearing, crankcase R/H (roller) | 1 | |
| 26 | 99110064 | Screw, bearing clamp washer in L/H crankcase | 3 | |
| 27 | 95100122 | Washer, crankshaft, camshaft, and mainshaft bearings | 9 | |
| 28 | 55012400 | Flange, bearing retaining in L/H crankcase | 1 | |
| 29 | 92201215 | Bearing, camshaft in L/H crankcase | 1 | |
| 30 | 99110062 | Screw, camshaft and mainshaft retaining | 5 | |
| 31 | 95100139 | Washer, tab washer securing nut and mainshaft bearing | 3 | |
| 32 | 91111514 | Bush, camshaft in L/H crankcase | 1 | |
| 33 | 92201419 | Bearing, mainshaft in L/H crankcase | 1 | |
| 34 | 92602206 | Nut, tab washer screw and clamping washer on mainshaft bearing | 3 | |
| 35 | 55012700 | Tab washer, mainshaft bearing retaining L/H crankcase | 1 | |
| 36 | 92201224 | Bearing, top gear, R/H crankcase | 1 | |
| 37 | 91121215 | Bush, layshaft, L/H crankcase | 1 | |
| 38 | 91141215 | Cap, layshaft, R/H crankcase | 1 | |
| 39 | 90402030 | Ring, sealing, R/H crankcase | 1 | |
| 40 | 55142300 | Plug, oil filling, with level rod | 1 | |
| 41 | 90714195 | Gasket, oil plug | 1 | |
| 42 | 55151700 | Plug, oil filter | 1 | |
| 43 | 90714302 | Gasket, oil plug filter | 1 | |
| 44 | 55152200 | Oil filter in crankcase, complete | 1 | |
| 45 | 55154300 | Tube, oil filter | 1 | |
| 46 | 91551098 | Bush, insulating, cables protection | 1 | |
| 47 | 92701086 | Nut, oil pump gear securing | 1 | |
| 48 | 95101231 | Washer, oil pump gear nut | 1 | |
| 49 | 55147700 | Gear, oil pump | 1 | |
| 50 | 55146525 | Body, oil pump | 1 | |
| 51 | 55147800 | Shaft, oil pump drive | 1 | |
| 52 | 55148500 | Gear, driven, oil pump | 1 | |
| 53 | 98106030 | Bolt, oil pump securing (long) | 2 | |
| 54 | 98106022 | Bolt, oil pump securing (short) | 2 | |

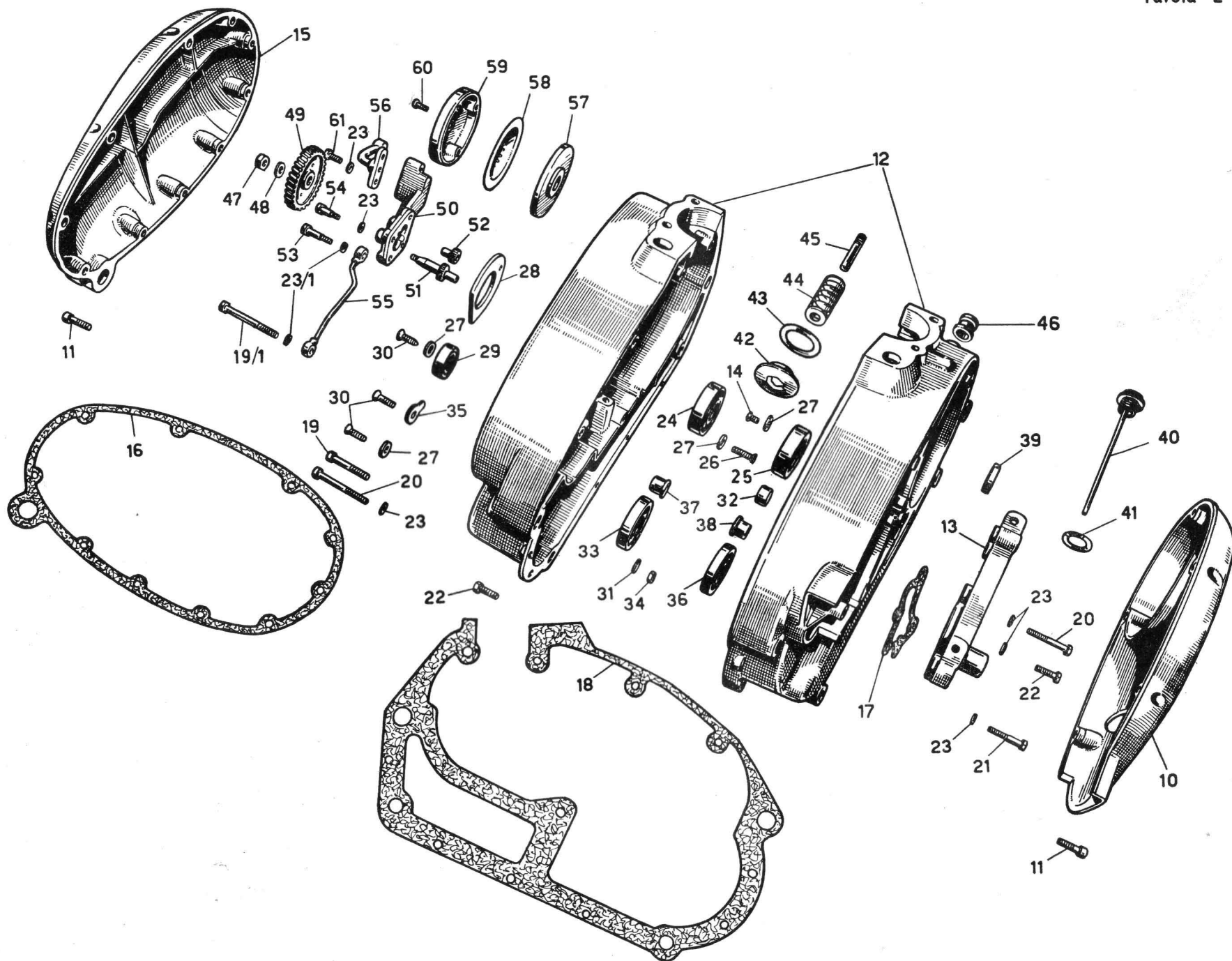


PLATE 2 "125" SPORT
Engine

GROUP: Crankcase - Covers - Oil Pump

| Figure No. | Order No. | DESCRIPTION | Quantity | Notes |
|------------|-----------|--|----------|-------|
| 55 | 55153600 | Tube, oil delivery to cylinder head | 1 | |
| 56 | 55152225 | Tube, oil delivery to centrifugal filter | 1 | |
| 57 | 55150025 | Cover, centrifugal oil filter | 1 | |
| 58 | 55150125 | Diaphragm, centrifugal oil filter | 1 | |
| 59 | 55150225 | Body, centrifugal oil filter | 1 | |
| 60 | 98260415 | Screw, centrifugal filter body, securing | 4 | |
| 61 | 98106015 | Bolt, centrifugal filter, line securing | 2 | |
| • 13 | 55090900 | ITEMS FITTED ON PREVIOUS SERIES Cover, control spindle | 1 | |

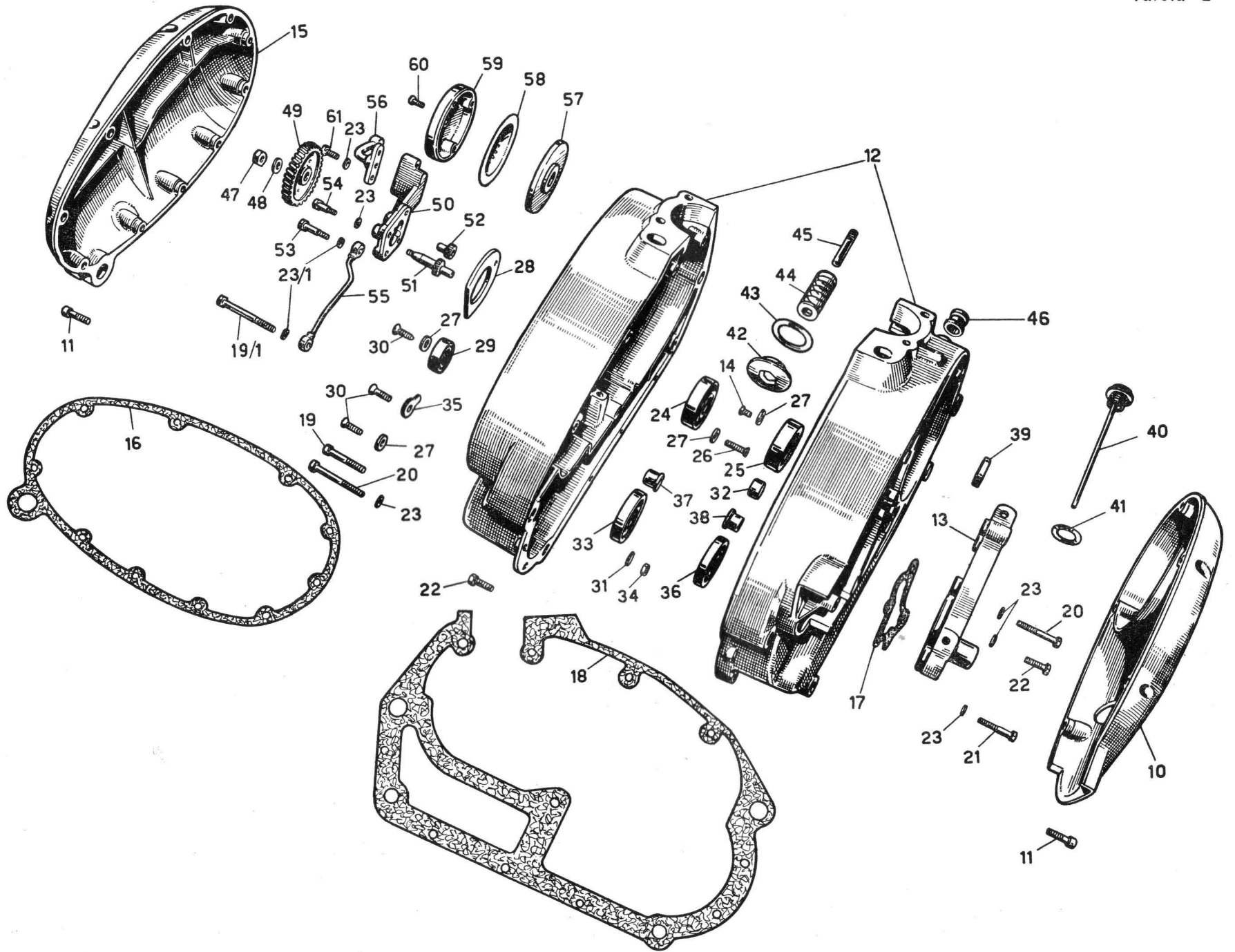


PLATE 3 "125" SPORT
Engine

GROUP: Crankshaft - Connecting Rod - Piston
Camshaft - Timing gears

| Figure No. | Order No. | DESCRIPTION | Quantity | Notes |
|------------|-----------|--|----------|-------|
| 10 | 55064026 | Crankshaft, complete | 1 | |
| 10/1 | 55064425 | Crankshaft, half, timing side | 1 | |
| 10/2 | 55064325 | Crankshaft, half, flywheel side | 1 | |
| 11 | 55065025 | Crankpin | 1 | |
| 12 | 95100865 | Washer, on crankshaft | 2 | |
| 13 | 55061526 | Connecting rod c/w bushes | 1 | |
| 13/1 | 55061426 | Conrod, c/w crankpin, cage, rollers, and shims | 1 | |
| 14 | 91111516 | Bush, piston pin | 1 | |
| 15 | 32062525 | Cage, rollers | 1 | |
| 16 | 92296751 | Roller, con-rod cage | 14 | |
| 17 | 90351017 | Circlip, piston pin | 2 | |
| 18 | 55061225 | Piston pin | 1 | |
| 19 | 55060430 | Piston, standard | 1 | |
| | 55060431 | Piston, o/s .2 mm. | | |
| | 55060432 | Piston, o/s .4 mm. | | |
| | 55060433 | Piston, o/s .6 mm. | | |
| | 55060434 | Piston, o/s .8 mm. | | |
| 19/1 | 55060230 | Piston, standard, c/w rings and pin | 1 | |
| | 55060231 | Piston, 0,2 o/s, c/w rings and pin | | |
| | 55060232 | Piston, 0,4 o/s, c/w rings and pin | | |
| | 55060233 | Piston, 0,6 o/s, c/w rings and pin | | |
| | 55060234 | Piston, 0,8 o/s, c/w rings and pin | | |
| 20 | 55060700 | Piston ring, standard | 2 | |
| | 55060701 | Piston ring, o/s .2 mm. | | |
| | 55060702 | Piston ring, o/s .4 mm. | | |
| | 55060703 | Piston ring, o/s .6 mm. | | |
| 20/1 | 55060704 | Piston ring, o/s .8 mm. | 1 | |
| | 55060925 | Oil scraper ring, top, standard | | |
| | 55060926 | Oil scraper ring, top, o/s .2 mm. | | |
| | 55060927 | Oil scraper ring, top, o/s .4 mm. | | |
| | 55060928 | Oil scraper ring, top, o/s .6 mm. | | |
| 21 | 55060929 | Oil scraper ring, top, o/s .8 mm. | 1 | |
| | 55060900 | Oil scraper ring, bottom, standard | | |
| | 55060901 | Oil scraper ring, bottom, o/s .2 mm. | | |
| | 55060902 | Oil scraper ring, bottom, o/s .4 mm. | | |
| | 55060903 | Oil scraper ring, bottom, o/s .6 mm. | | |
| 21/1 | 55060904 | Oil scraper ring, bottom, o/s .8 mm. | 1 | |
| | 55060625 | Set piston rings, standard | | |
| | 55060626 | Set piston rings, o/s 0,2 | | |
| | 55060627 | Set piston rings, o/s 0,4 | | |
| | 55060628 | Set piston rings, o/s 0,6 | | |
| 22 | 55060629 | Set piston rings, o/s 0,8 | 1 | |
| | 92750181 | Nut, mainshaft gear | | |
| 23 | 55065400 | End plate, crankpin | 2 | |
| 24 | 55070225 | Gear mainshaft | 1 | |

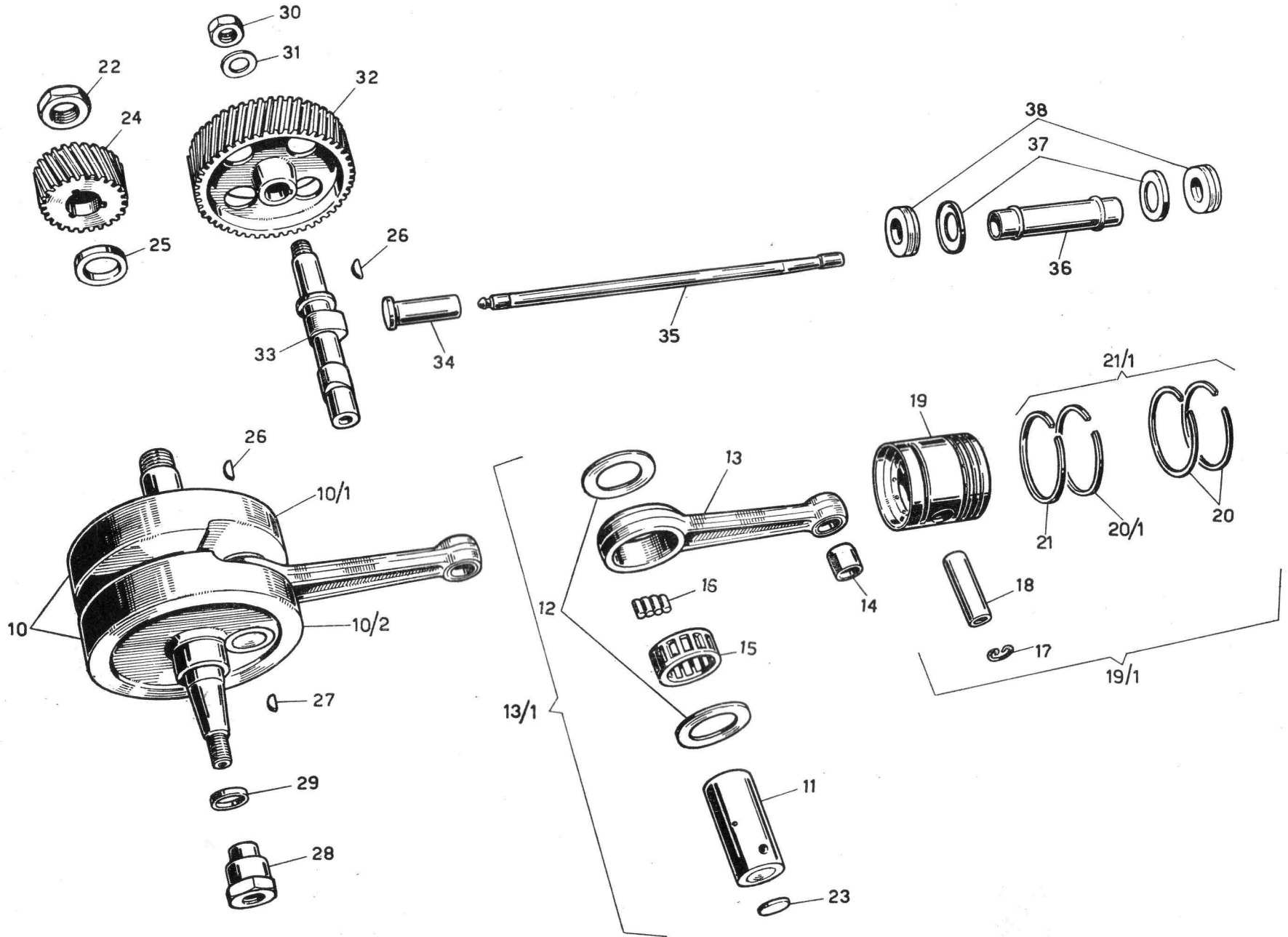


PLATE 3 "125" SPORT
Engine

GROUP: Crankshaft - Connecting Rod - Piston
Camshaft - Timing gears

| Figure No. | Order No. | DESCRIPTION | Quantity | Notes |
|------------|-----------|--|----------|-------|
| 25 | 91182005 | Spacer, mainshaft bearing and gear | 1 | |
| 26 | 91701345 | Woodruff key, for mainshaft gear and camshaft drive gear | 2 | |
| 27 | 91701237 | Woodruff key, flywheel magneto | 1 | |
| 28 | 55067100 | Nut flywheel securing | 1 | |
| 29 | 95100512 | Washer, flywheel retaining nut | 1 | |
| 30 | 92701124 | Nut, camshaft drive gear | 1 | |
| 31 | 95101430 | Washer, camshaft drive gear nut | 1 | |
| 32 | 55040500 | Gear, camshaft drive | 1 | |
| 33 | 55053300 | Camshaft | 1 | |
| 34 | 55045800 | Tappet | 2 | |
| 35 | 55045025 | Push rod, rocker control | 2 | |
| 36 | 55046025 | Tube, push rod cover | 2 | |
| 37 | 55046925 | Seal collar | 4 | |
| 38 | 90511730 | Seal, push rod cover tube | 4 | |

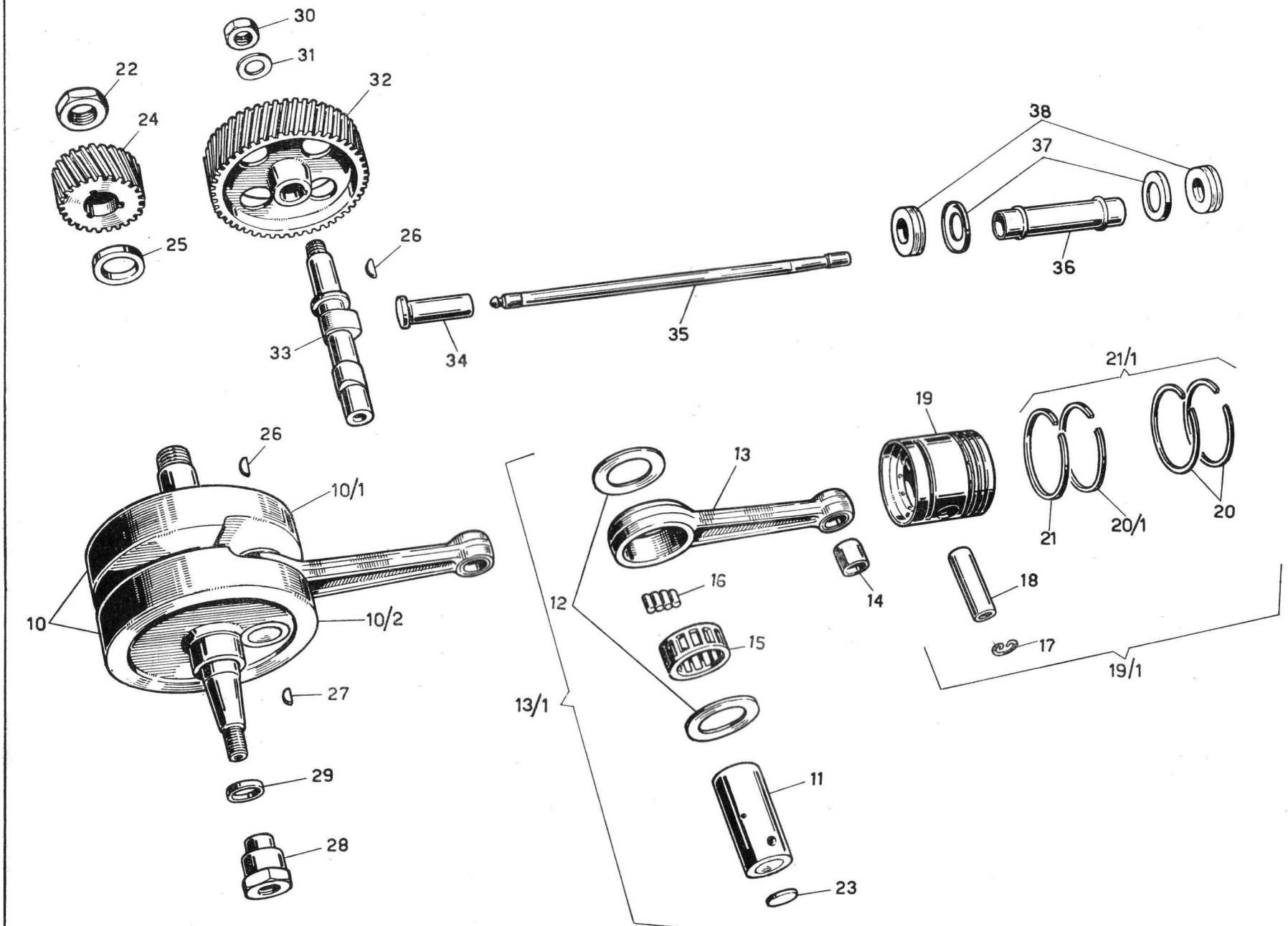


PLATE 4 "125" SPORT
Frame

GROUP: Petrol tank - Exhaust pipe - Muffler

| Figure No. | Order No. | DESCRIPTION | Quantity | Notes |
|------------|------------|---|----------|-------|
| 10 | 55100285 | Petrol tank | 1 | |
| 11 | 24103901 | Filler cap complete (includes the following) | 1 | |
| | 24104601 | Washer | 1 | |
| | 24104801 | Sealing cap | 1 | |
| | 24104001 | Cover | 1 | |
| | 24105001 | Lever | 1 | |
| | 24104901 | Screw | 1 | |
| | 24104701 | Spring | 1 | |
| 12 | 92701087 | Nut, front tank securing and muffler to frame | 2 | |
| 13 | 95101231 | Washer, front tank bolt | 1 | |
| 14 | 98108091 | Bolt, front tank securing | 1 | |
| 15 | 98108036 | Bolt, rear tank securing | 2 | |
| 16 | 95100245 | Washer, rear tank bolt | 2 | |
| 17 | 32103400 | Buffer, rear tank mounting (rubber) | 2 | |
| 18 | 32103500 | Bush, rear tank mounting buffer | 2 | |
| 19 | 90714100 | Gasket, petrol tap | 4 | |
| 20 | 55105426 | Tap, petrol | 2 | |
| 21 | { 32917800 | Decal, white, R/M, Moto Guzzi with eagle | 1 | |
| | { 32917900 | Decal, white, L/H, Moto Guzzi with eagle | 1 | |
| 22 | 32917700 | Decal, ISDT Emblem | 1 | |
| 23 | 95985426 | Petrol line, long | 1 | |
| 24 | 95985418 | Petrol line, short | 1 | |
| 25 | 55120725 | Exhaust pipe | 1 | |
| 26 | 90718325 | Gasket, exhaust pipe | 1 | |
| 27 | 55120225 | Lockring, exhaust pipe | 1 | |
| 28 | 98108017 | Bolt, muffler to frame | 1 | |
| 29 | 55127025 | Band, muffler securing to frame | 1 | |
| 30 | 95716260 | Pin, threaded, muffler band | 1 | |
| 31 | 95716162 | Pin, plain, muffler band | 1 | |
| 32 | 99105080 | Bolt, exhaust pipe band | 1 | |
| 33 | 55123030 | Muffler | 1 | |
| 34 | 95120085 | Washer, muffler to frame bolt | 1 | |

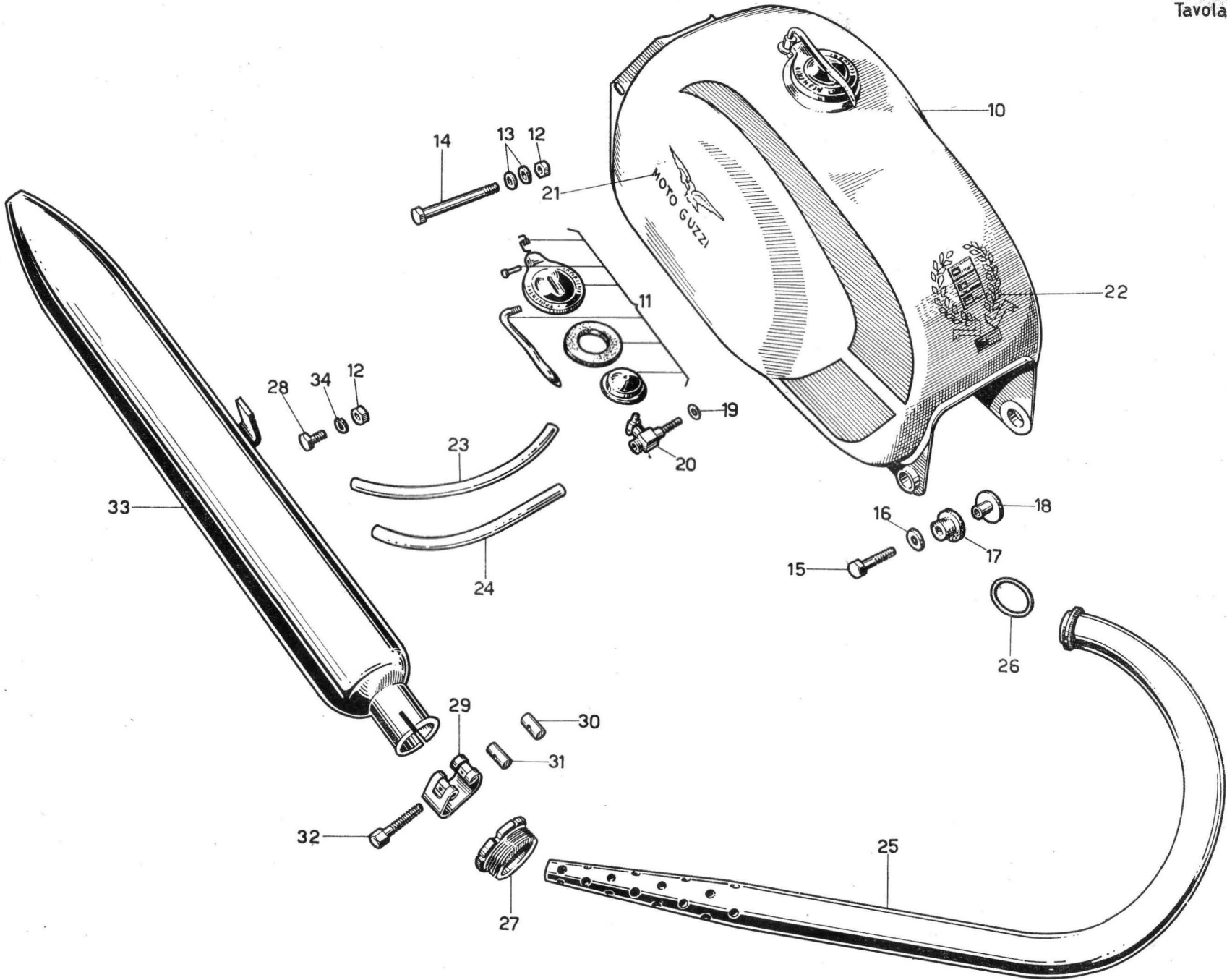


PLATE 5 "125" SPORT
Engine

GROUP: Carburetor

| Figure No. | Order No. | DESCRIPTION | Quantity | Notes |
|------------|-----------|--|----------|-----------------------|
| | | | | ORDER No. "DELL'ORTO" |
| 10 | 55112485 | Carburetor, c/w throttle control cable | 1 | U B 20 B |
| 11 | 55932885 | Screw, float chamber cover | 2 | 1491.00.36 |
| 12 | 55932985 | Washer, float chamber cover screw | 2 | 5010.00.23 |
| 13 | 55934985 | Plug, banjo union | 1 | 1494.00.34 |
| 14 | 55934785 | Washer, banjo union plug | 2 | 1416.00.30 |
| 15 | 55934685 | Banjo union | 1 | 3581.00.38 |
| 16 | 55934085 | Filter, petrol | 1 | 1419.00.29 |
| 17 | 55932385 | Tickler | 1 | 1492.00.25 |
| 18 | 55932485 | Spring, tickler return | 1 | 1410.00.61 |
| 19 | 55932585 | Circlip, tickler stop | 1 | 1493.00.21 |
| 20 | 55932185 | Cover, float chamber | 1 | 1584.00.54 |
| 21 | 55938585 | Needle seat | 1 | 1407.00.21 |
| 22 | 55938785 | Band, sleeve securing | 1 | 1722.00.50 |
| 23 | 55938685 | Screw, band fixing | 1 | 1111.00.36 |
| 24 | 55938985 | Insulating sleeve | 1 | 2721.00.62 |
| 25 | 55939085 | Spacer | 1 | 4474.00.30 |
| 26 | 55933285 | Float needle | 1 | 1607.00.05 |
| 27 | 55933085 | Floater | 1 | 2390.00.80 |
| 28 | 55933185 | Circlip, needle stop | 1 | 1452.00.21 |
| 29 | 55932285 | Gasket, float chamber cover | 1 | 1414.00.30 |
| 30 | 55932085 | Body, float chamber | 1 | 2200.00.96 |
| 31 | 55933785 | Plug, float chamber | 1 | 2086.00.34 |
| 32 | 55933985 | Washer, float chamber plug | 2 | 1382.00.30 |
| 33 | 55935785 | Main jet | 1 | 1486.90.02 |
| 34 | 55935585 | Atomizer, « B » chamber plug | 1 | 2058.260.28 |
| 35 | 55936685 | Screw, throttle adjusting | 1 | 6113.00.37 |
| 36 | 55936885 | Nut, throttle adjusting screw | 1 | 1096.00.27 |
| 37 | 55935985 | Pilot jet | 1 | 1488.40.02 |
| 38 | 55936385 | Spring, air screw | 1 | 1411.00.61 |
| 39 | 55936285 | Air screw | 1 | 2115.00.37 |
| 40 | 55937785 | Jet needle, « E » type | 1 | 2343.10.08 |
| 41 | 55937585 | Throttle valve | 1 | 4361.50.64 |
| 42 | 55937185 | Spring, throttle valve | 1 | 2372.00.61 |
| 43 | 55935085 | Cover, mixture chamber | 1 | 2330.00.53 |
| 44 | 55938185 | Air lever stop | 1 | 3570.00.21 |
| 45 | 55937985 | Nut, tube locking | 1 | 1691.00.27 |
| 46 | 55935385 | Lockring, mixture chamber cover | 1 | 2324.00.60 |
| 47 | 55937885 | Tube | 1 | 3698.00.35 |
| 48 | 55935185 | Locknut, cable adjusting screw | 1 | 1692.00.27 |
| 49 | 55935285 | Screw, cable adjusting | 1 | 1481.00.37 |
| 50 | 55114450 | Air intake tube | 1 | |
| 51 | 32114300 | Rubber sleeve, air intake | 1 | |
| 52 | 55117585 | Cable throttle control | 1 | |

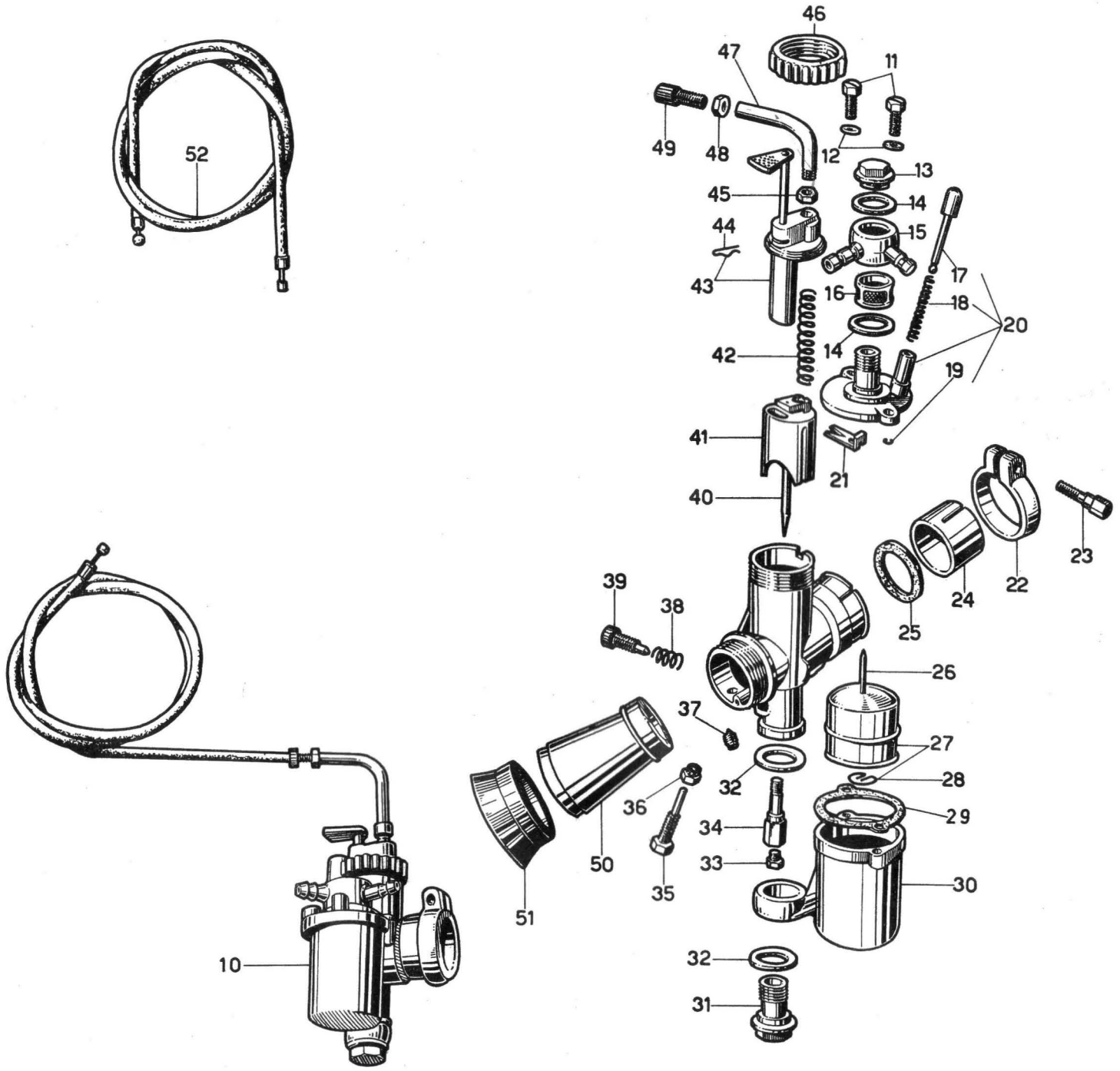


PLATE 6 "125" SPORT
Transmission

GROUP: Clutch - Clutch operating levers
Kickstarter

| Figure No. | Order No. | DESCRIPTION | Quantity | Notes |
|------------|-----------|--|----------|-------|
| 10 | 92700166 | Nut, clutch body retaining | 1 | |
| 11 | 55081700 | Washer, clutch body nut | 1 | |
| 12 | 55081600 | Body, clutch | 1 | |
| 13 | 55081100 | Drive gear complete with bush | 1 | |
| 14 | 91122824 | Bush, drive gear | 1 | |
| 15 | 90118880 | Disk, bronze, clutch | 1 | |
| 16 | 55082301 | Disk, outer notches, clutch | 2 | |
| 17 | 55082201 | Disk, inner notches, clutch | 3 | |
| 18 | 55082600 | Pressure plate, clutch | 1 | |
| 19 | 94321135 | Clutch spring | 6 | |
| 20 | 55082900 | Plate, spring | 1 | |
| 21 | 55080400 | Ring, clutch pressure plate retainer | 1 | |
| 22 | 95980210 | Plug, oil retaining on pressure plate | 1 | |
| 23 | 24085200 | Rod, disk pressure plate, mushroom | 1 | |
| 24 | 92295706 | Ball, clutch rod to mushroom rod and k/s pin | 2 | |
| 25 | 55085500 | Clutch rod | 1 | |
| 26 | 32085700 | Clutch rod, ball end | 1 | |
| 27 | 55090101 | Lever, clutch operating | 1 | |
| 28 | 55091300 | Screw, adjusting on clutch operating lever | 1 | |
| 29 | 92700071 | Nut, adjusting screw and k/s pin | 2 | |
| 30 | 95500325 | Cotter pin, clutch lever pin | 4 | |
| 31 | 95780172 | Pin, clutch lever | 1 | |
| 32 | 55091601 | Lever, clutch operating arm | 1 | |
| 33 | 95780173 | Pin, clutch operating arm | 1 | |
| 34 | 55093075 | Cable, clutch | 1 | |
| 35 | 95716824 | Terminal, cable | 1 | |
| 36 | 98303006 | Bolt, cable terminal | 1 | |
| 37 | 92700072 | Nut, cable adjusting screw | 1 | |
| 38 | 95790127 | Screw, cable adjusting | 1 | |
| 39 | 55266400 | Gear, kickstarter | 1 | |
| 40 | 55267100 | Pawl, k/s anchor | 2 | |
| 41 | 94321044 | Spring, k/s anchor pawl | 2 | |
| 42 | 55266900 | Plate, kickstarter gear retaining | 1 | |
| 43 | 98384018 | Screw, kickstarter gear retaining plate | 4 | |
| 44 | 55083800 | Washer, bearing to clutch body | 1 | |

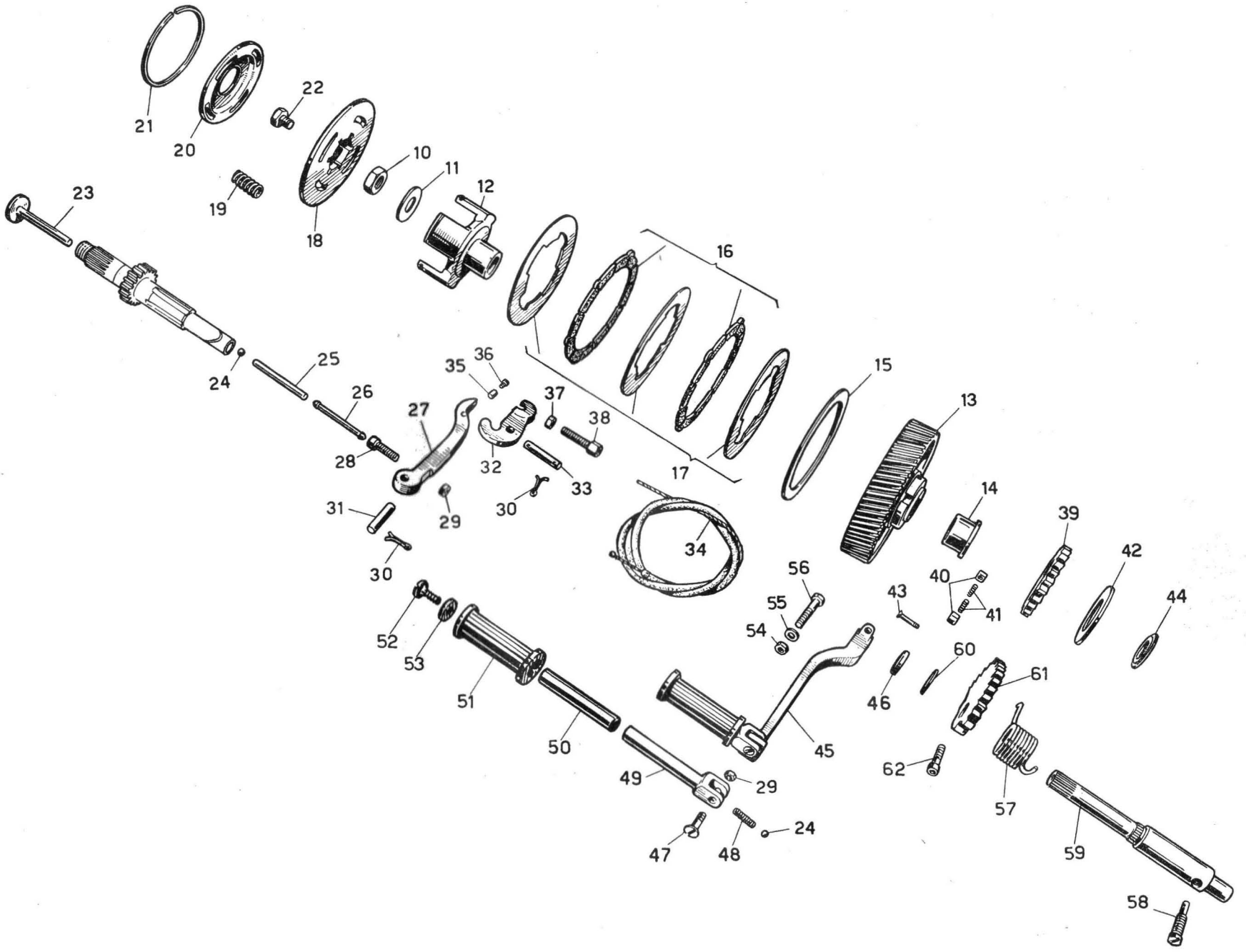


PLATE 6 "125" SPORT
Transmission

GROUP: Clutch - Clutch operating levers
Kickstarter

| Figure No. | Order No. | DESCRIPTION | Quantity | Notes |
|------------|-----------|--|----------|-------|
| 45 | 55260285 | Lever, kickstarter, complete | 1 | |
| 46 | 90561525 | Seal, starter pin | 1 | |
| 47 | 55262300 | Screw, k/s pedal | 1 | |
| 48 | 94321058 | Spring, k/s pedal | 1 | |
| 49 | 55262585 | Pin, kickstarter lever | 1 | |
| 50 | 91181272 | Tube, revolving | 1 | |
| 51 | 38262100 | Rubber, kickstarter pedal | 1 | |
| 52 | 98366013 | Screw, pedal securing washer | 1 | |
| 53 | 38262200 | Washer, pedal retaining | 1 | |
| 54 | 92700073 | Nut, k/s securing bolt | 1 | |
| 55 | 95100173 | Washer, k/s securing bolt | 1 | |
| 56 | 98107035 | Bolt, k/s securing spindle | 1 | |
| 57 | 55265700 | Spring, k/s return | 1 | |
| 58 | 55265900 | Bolt, k/s spring retaining | 1 | |
| 59 | 55264500 | Spindle, kickstarter | 1 | |
| 60 | 95100624 | Washer, L/s | 1 | |
| 61 | 55265600 | Ratchet gear | 1 | |
| 62 | 98706023 | Screw, ratchet gear securing | 1 | |

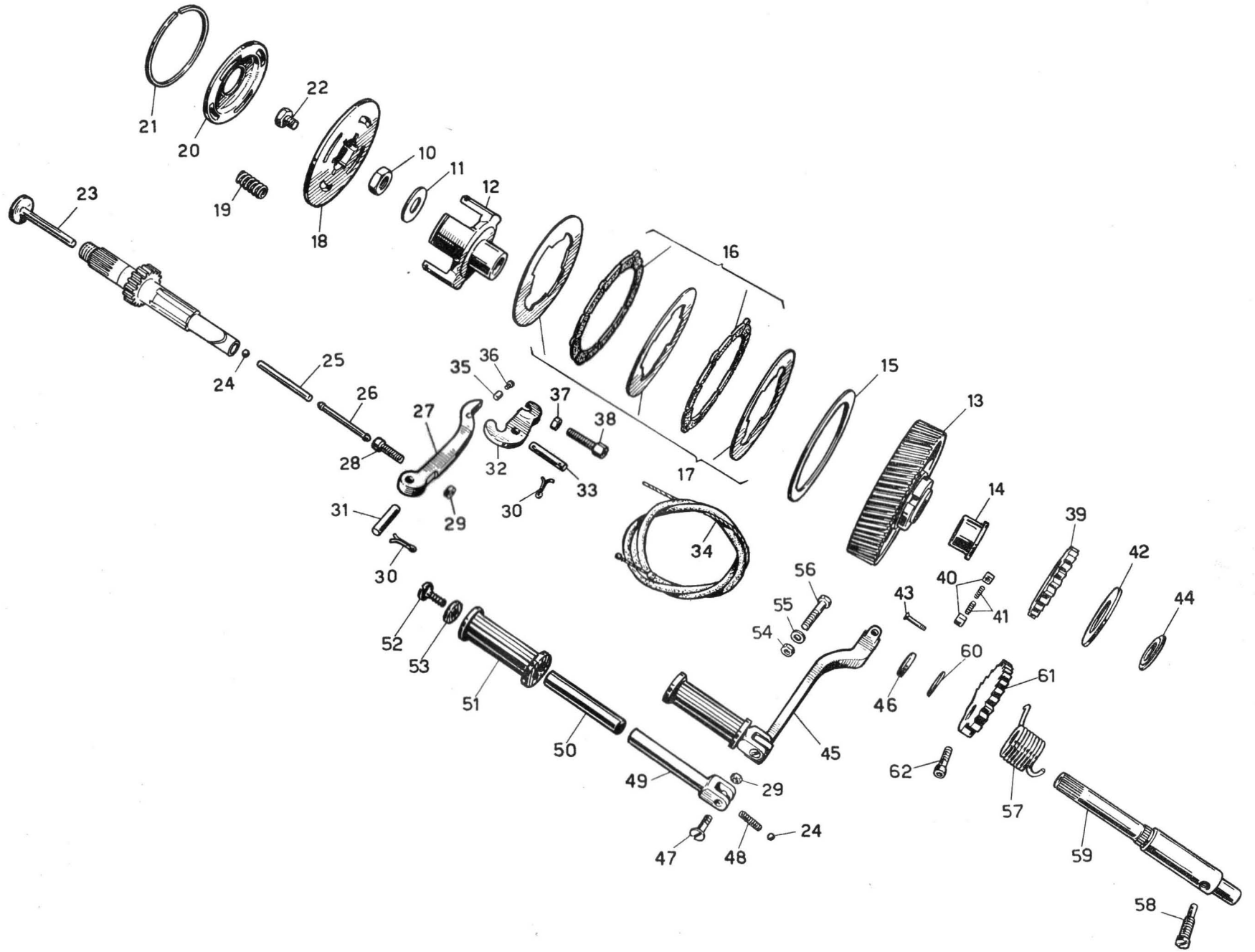


PLATE 7 "125" SPORT
Gear box

GROUP: Gears - Shafts - Gear control

| Figure No. | Order No. | DESCRIPTION | Quantity | Notes |
|------------|-----------|---|----------|-------|
| 10 | 55250900 | Lever, gearshift | 1 | |
| 11 | 32251000 | Rubber, gearshift lever | 2 | |
| 12 | 98106022 | Bolt, gearshift lever to shaft | 1 | |
| 13 | 95100130 | Washer, long, selector cam securing | 2 | |
| 14 | 55236800 | Starter pin | 1 | |
| 15 | 55238200 | Spring, selector return | 1 | |
| 16 | 55237800 | Screw, selector adjusting | 1 | |
| 17 | 92700122 | Nut, selector adjusting screw | 1 | |
| 18 | 95101430 | Washer, selector adjusting screw | 1 | |
| 19 | 55236400 | Body, inner, selector | 1 | |
| 20 | 55237900 | Pawl, selector | 2 | |
| 21 | 55238500 | Cam, selector | 1 | |
| 22 | 98386005 | Screw, short, selector cam securing | 1 | |
| 23 | 92602206 | Nut, selector cam long securing screw | 2 | |
| 24 | 98386036 | Screw, long, selector cam securing | 2 | |
| 25 | 94321049 | Spring, pawls | 2 | |
| 26 | 38237700 | Pawl, thrust | 2 | |
| 27 | 55234400 | Selector drum | 1 | |
| 28 | 95100222 | Washer, selector drum | 1 | |
| 29 | 55235200 | Pin, selector drum | 1 | |
| 30 | 90271008 | Circlip, selector drum pin | 1 | |
| 31 | 55234700 | Pawl, selector drum clamping | 1 | |
| 32 | 94321063 | Spring, selector drum pawl | 1 | |
| 32/1 | 55230500 | Fork, gearshift | 2 | |
| 33 | 55232400 | Spindle, fork shift | 1 | |
| 34 | 55210500 | Mainshaft, gear box | 1 | |
| 35 | 93701241 | Lockring, engine pinion retaining | 1 | |
| 36 | 95181025 | Washer, lockring retaining | 1 | |
| 37 | 32330500 | Sprocket, chain (16 teeth) | 1 | |
| 38 | 24331900 | Spacer, chain sproket | 1 | |
| 39 | 55212600 | Top speed gear, c/w bushing | 1 | |
| 40 | 55213000 | Bushing, high gear | 1 | |
| 41 | 55211400 | 2nd gear, driving | 1 | |
| 42 | 55211300 | 2nd gear, driving | 1 | |
| 43 | 90271020 | Circlip, gear retaining on shafts | 2 | |
| 44 | 55213600 | Layshaft | 1 | |
| 45 | 55214000 | 1st gear, driven | 1 | |
| 46 | 91111210 | Bushing, 1 st gear driven | 1 | |
| 47 | 55214400 | 3rd gear, driven | 1 | |
| 48 | 55214700 | 3rd gear, driven | 1 | |
| | | ITEMS FITTED ON PREVIOUS SERIES | | |
| 37 | 55330525 | Sprocket chain (16 teeth) | 1 | |

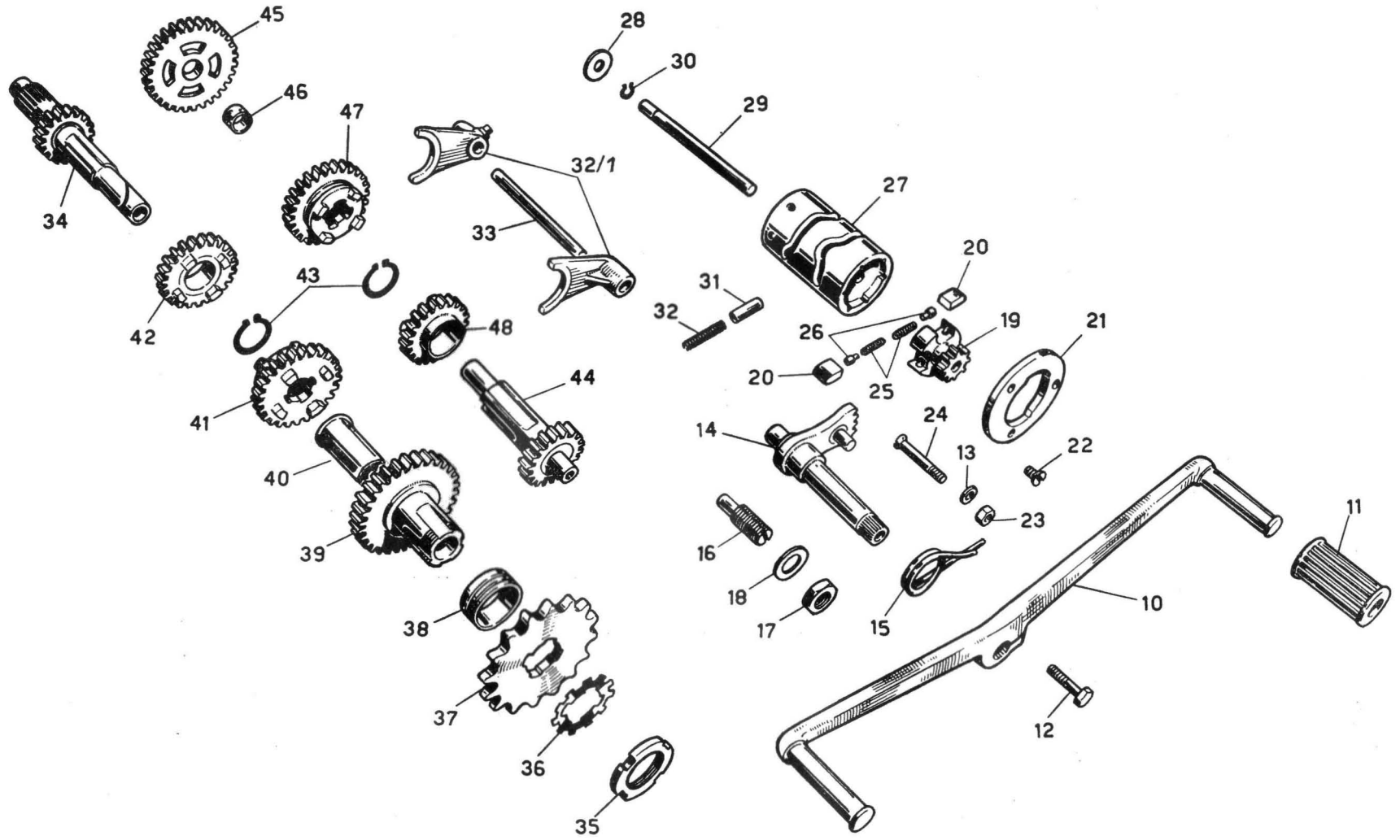


PLATE 8 "125" SPORT
Frame

GROUP: Frame - Rear fender - Seat - Centre stand
Tool box

| Figure No. | Order No. | DESCRIPTION | Quantity | Notes |
|------------|------------|---|----------|-------------|
| 10 | 55400201 | Frame | 1 | Black |
| 11 | 92701087 | Nut, front engine fixing studs to frame | 2 | |
| 12 | 95101231 | Washer, engine to frame nuts, front | 4 | |
| 13 | 98108177 | Tie rod, engine to frame fixing | 2 | |
| 14 | 92602210 | Nut, engine to frame bolt and stand to frame bolt | 4 | |
| 15 | 95100311 | Washer, engine to frame tie rod | 2 | |
| 16 | 98110220 | Tie rod, engine to frame, bottom | 1 | |
| 17 | 55440285 | Footrest, R/H | 1 | |
| 18 | 55440485 | Pivot, R/H footrest | 1 | |
| 19 | 55441385 | Pedal, L/H footrest | 1 | |
| 20 | 55441585 | Pivot, L/H footrest | 1 | |
| 21 | 36443200 | Rubber, footrest | 2 | |
| 22 | 98108030 | Bolt, pedal to pivot | 2 | |
| 23 | 92602208 | Nut, pedal to pivot bolts | 2 | |
| 24 | 98391048 | Bolt, pedals to frame | 2 | |
| 25 | 95100315 | Washer, pedal to frame bolt | 2 | |
| 26 | 55476085 | Box, battery and tool kit container | 1 | Silver-grey |
| 26/1 | { 55917985 | Decal, tool box, white on black | } 1 | |
| | 55917986 | Decal, tool box, red on black | | |
| 26/2 | { 55917885 | Decal, tool box cover, white on black | } 1 | |
| | 55917886 | Decal, tool box cover, red on black | | |
| 27 | 55476225 | Cover, battery and tool kit box | 1 | |
| 28 | 32478500 | Thumbscrew, cover closing | 1 | |
| 29 | 32478600 | Washer, thumbscrew | 1 | |
| 30 | 92602206 | Nut, box securing bolts, rear fender bolts, and pillion footrest bolts | 8 | |
| 31 | 95021106 | Washer, spring box securing bolts, rear seat securing nut, front fender bolt, and tool box fixing bolts | 4 | |
| 32 | 98106015 | Bolt, tool box, top securing | 1 | |
| 33 | 98024312 | Bolt, tool box, bottom securing to frame and front fender to frame | 3 | |
| 34 | 99105146 | Bolt, centre stand to frame | 2 | |
| 35 | 55433900 | Pivot bolt, centre stand spring to frame | 1 | |
| 36 | 24434000 | Spring, centre stand return | 1 | |
| 37 | 55430300 | Centre stand | 1 | |
| 38 | 55460585 | Dual seat | 1 | |
| 39 | 55463285 | Bolt, seat anchoring, front | 2 | |
| 40 | 95100253 | Washer, spring, seat anchoring bolt | 2 | |
| 41 | 92700073 | Nut, seat securing rear | 1 | |
| 42 | 55437025 | Rear fender | 1 | |
| 42/1 | 32917800 | Decal white, Moto Guzzi with eagle | 1 | |
| 43 | 55438885 | Plug on rear fender | 1 | |
| 44 | 98050325 | Bolt, rear, seat and fender securing to frame, pillion footrest securing | 4 | |
| 45 | 95100139 | Washer, seat to fender and tool box bolt | 3 | |
| 46 | 91551081 | Grommet, on tool kit and battery box | 1 | |
| 47 | 55442300 | Pillion footrest | 2 | |
| 48 | 95100130 | Washer, pillion footrest and tool box securing | 4 | |
| 49 | 55443385 | Rubber, pillion footrest | 2 | |

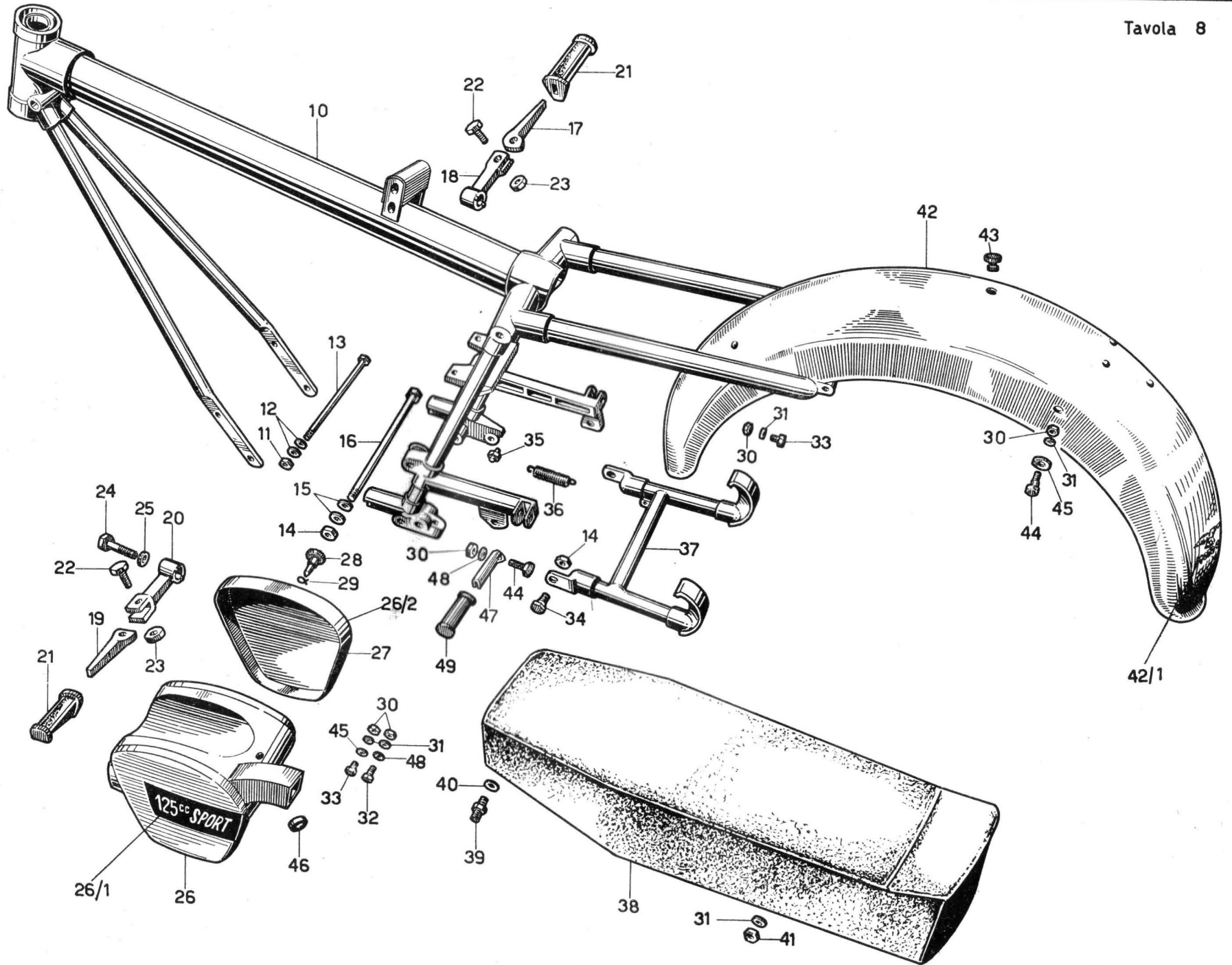


PLATE 9 "125" SPORT
Suspension

GROUP: Front suspension - Steering - Front fender

| Figure No. | Order No. | DESCRIPTION | Quantity | Notes |
|------------|-----------|--|----------|-------------|
| 10 | 55490275 | Front fork complete | 1 | |
| 11 | 55522525 | Slider, R/H | 1 | Silver-grey |
| 12 | 98108033 | Bolt, R/H slider to front wheel | 1 | |
| 13 | 95100225 | Washer, R/H slider to front wheel bolt | 1 | |
| 14 | 55522625 | Slider, L/H | 1 | Silver-grey |
| 15 | 91122647 | Bush, upper in sliders | 2 | |
| 16 | 24525925 | Lockring, bottom bush securing on fork tubes | 2 | |
| 17 | 24526025 | Washer, bottom bush lockring | 2 | |
| 18 | 91112547 | Bush, bottom on fork tubes | 2 | |
| 19 | 24525425 | Fork tube | 2 | |
| 20 | 24527725 | Housing, spring | 2 | |
| 21 | 90706310 | Seal ring, spring housing | 2 | |
| 22 | 24528125 | Holder, ring in spring housing | 2 | |
| 23 | 90562537 | Seal ring on fork tube | 2 | |
| 24 | 24527525 | Washer, spring retaining | 2 | |
| 25 | 24527400 | Snap ring | 2 | |
| 26 | 94321318 | Fork spring | 2 | |
| 27 | 24527625 | Washer, headlight bracket centering | 2 | |
| 28 | 24504525 | Plug, fork top | 2 | |
| 29 | 90706156 | Washer, top plug | 2 | |
| 30 | 55493000 | Plate, top linking | 1 | Black |
| 31 | 95101833 | Washer, fork top plugs | 2 | |
| 32 | 24492725 | Ring, headlight bracket | 2 | |
| 33 | 55490625 | Headlight bracket, R/H | 1 | Black |
| 34 | 55490725 | Headlight bracket, L/H | 1 | Black |
| 35 | 55494000 | Yoke, bottom, with steering tube | 1 | Black |
| 36 | 92701189 | Nut, bottom yoke securing | 1 | |
| 37 | 95101670 | Washer, bottom yoke nut | 1 | |
| 38 | 24513425 | Lockring, bottom yoke | 1 | |
| 39 | 95190192 | Dust cover | 1 | |
| 40 | 36515200 | Cone, steering tube | 2 | |
| 41 | 92295704 | Ball, cups | 38 | |
| 42 | 24515000 | Cup, top steering | 1 | |
| 43 | 24515100 | Cup, bottom steering | 1 | |
| 44 | 92602210 | Nut, fork tube to bottom yoke | 2 | |
| 45 | 95100308 | Washer, fork tube to bottom yoke nut | 4 | |
| 46 | 98110063 | Bolt, tube to steering base | 2 | |
| 47 | 55434325 | Fender, front | 1 | Silver-grey |
| 47/1 | 32917800 | Decal, white with eagle | 1 | |
| 48 | 55434825 | Lug, stay to fender | 2 | |
| 49 | 98106012 | Bolt, front fender | 6 | |
| 50 | 95100130 | Washer, front fender bolt | 6 | |
| 51 | 55436525 | Grommet, cable guide on front fender | 1 | |
| 52 | 98346010 | Screw, grommet securing | 1 | |
| 53 | 95120065 | Washer, grommet securing screw | 1 | |
| 54 | 92602406 | Nut, grommet securing screw | 1 | |

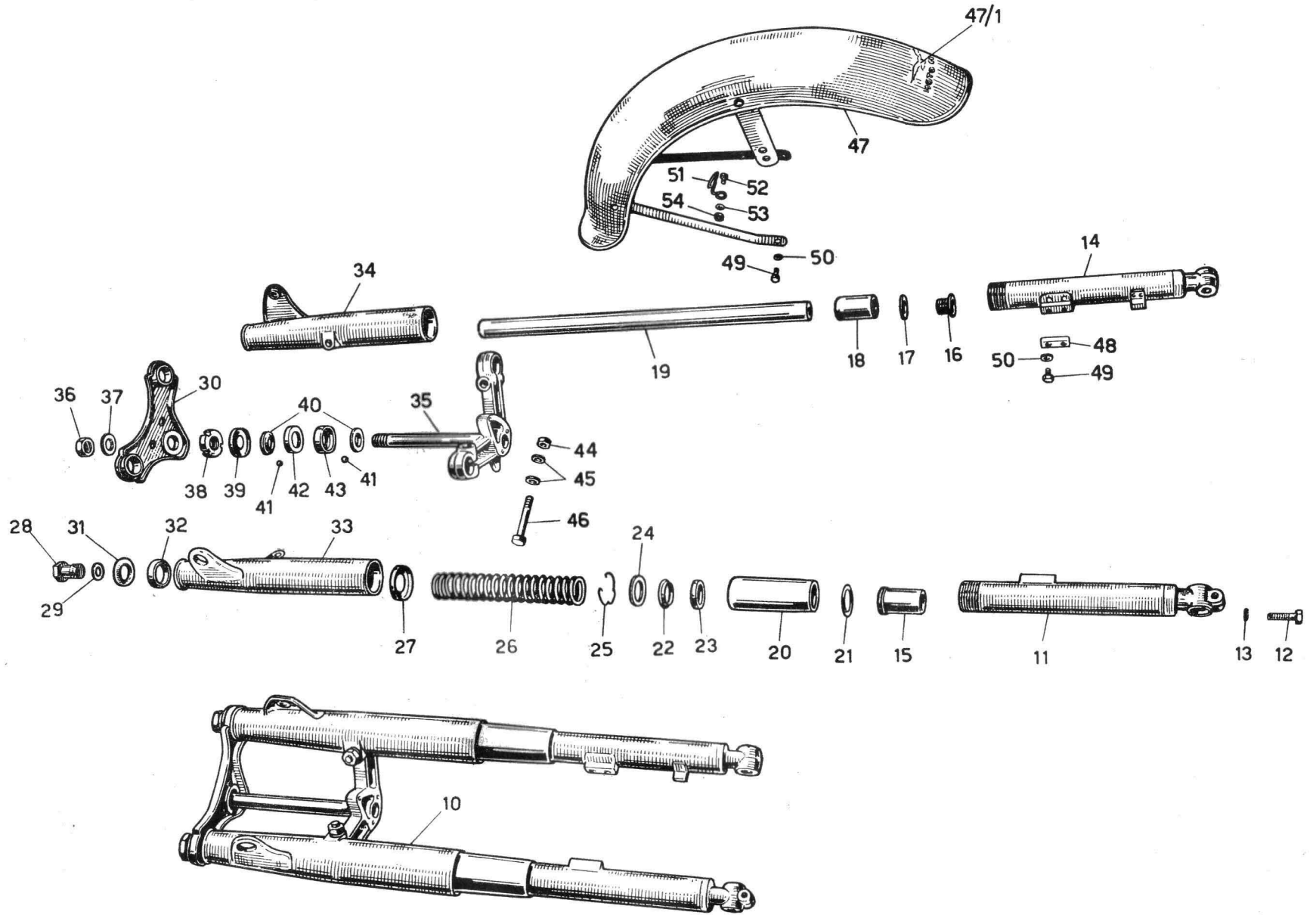
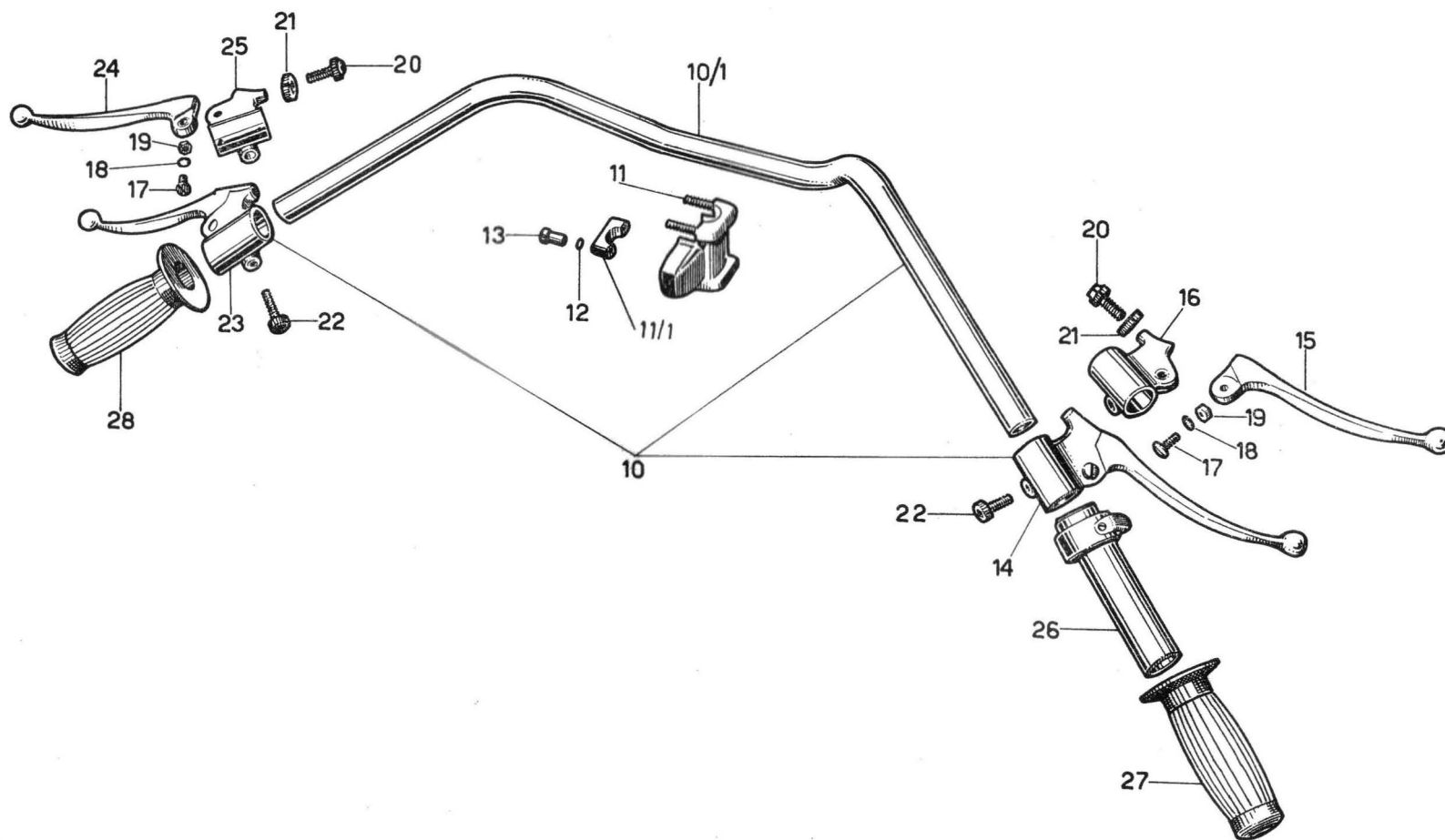


PLATE 10 "125" SPORT
Steering

GROUP: Handlebar and levers

| Figure No. | Order No. | DESCRIPTION | Quantity | Notes |
|------------|-----------|---|----------|-------|
| 10 | 55600185 | Handlebar, c/w levers | 1 | |
| 10/1 | 55600285 | Handlebar, bare | 1 | |
| 11 | 55500500 | Top clamp, handlebar to fork | 1 | |
| 11/1 | 55500200 | Bottom clamp, handlebar to fork | 2 | |
| 12 | 95100137 | Washer, handlebar clamp nut | 4 | |
| 13 | 55500700 | Nut, handlebar clamps | 4 | |
| 14 | 55605485 | Lever, front brake, complete | 1 | |
| 15 | 55605600 | Lever, front brake, bare | 1 | |
| 16 | 55601085 | Bracket, front brake lever clamping | 1 | |
| 17 | 98326017 | Screw, front brake and clutch lever securing | 2 | |
| 18 | 95021106 | Washer, spring, lever screw | 2 | |
| 19 | 92602406 | Nut, lever screw | 2 | |
| 20 | 95790237 | Adjuster, front brake and clutch cables | 2 | |
| 21 | 93760072 | Thumbnut, front brake and clutch cable adjuster | 2 | |
| 22 | 98620318 | Screw, lever bracket securing | 2 | |
| 23 | 55605585 | Lever, clutch, complete | 1 | |
| 24 | 55605700 | Lever, clutch, bare | 1 | |
| 25 | 55601985 | Bracket, clutch lever | 1 | |
| 26 | 36603400 | Handgrip, throttle control | 1 | |
| 27 | 55603500 | Rubber, R/H handgrip | 1 | |
| 28 | 55603000 | Rubber, L/H handgrip | 1 | |



**PLATE 11 "125" SPORT
Suspension**

**GROUP: Swinging fork - Rear dampers
Chainguard**

| Figure No. | Order No. | DESCRIPTION | Quantity | Notes |
|------------|-----------|--|----------|-------------|
| 10 | 55540201 | Swinging fork | 1 | Black |
| 11 | 55553600 | Bush, shock absorbing, swinging fork | 2 | |
| 12 | 92701104 | Nut, fork spindle | 1 | |
| 13 | 98112231 | Spindle, swinging fork | 1 | |
| 14 | 95101430 | Washer, swinging fork spindle nut | 2 | |
| 15 | 55569400 | Spacer, rubber bush | 4 | |
| 16 | 55473001 | Chainguard | 1 | Silver-grey |
| 17 | 98107011 | Bolt, chainguard securing, front | 1 | |
| 18 | 95100173 | Washer, chainguard bolt | 2 | |
| 19 | 92700073 | Nut, chainguard securing rear | 1 | |
| 20 | 98107016 | Bolt, chainguard securing, rear | 1 | |
| 21 | 98390935 | Bolt, damper securing | 4 | |
| 22 | 95100291 | Washer, damper securing nuts | 6 | |
| 23 | 55550225 | Damper, rear | 2 | |
| 24 | 32551600 | Bush, rear damper securing, rubber | 4 | |
| 25 | 55552325 | Spring, rear damper | 2 | |

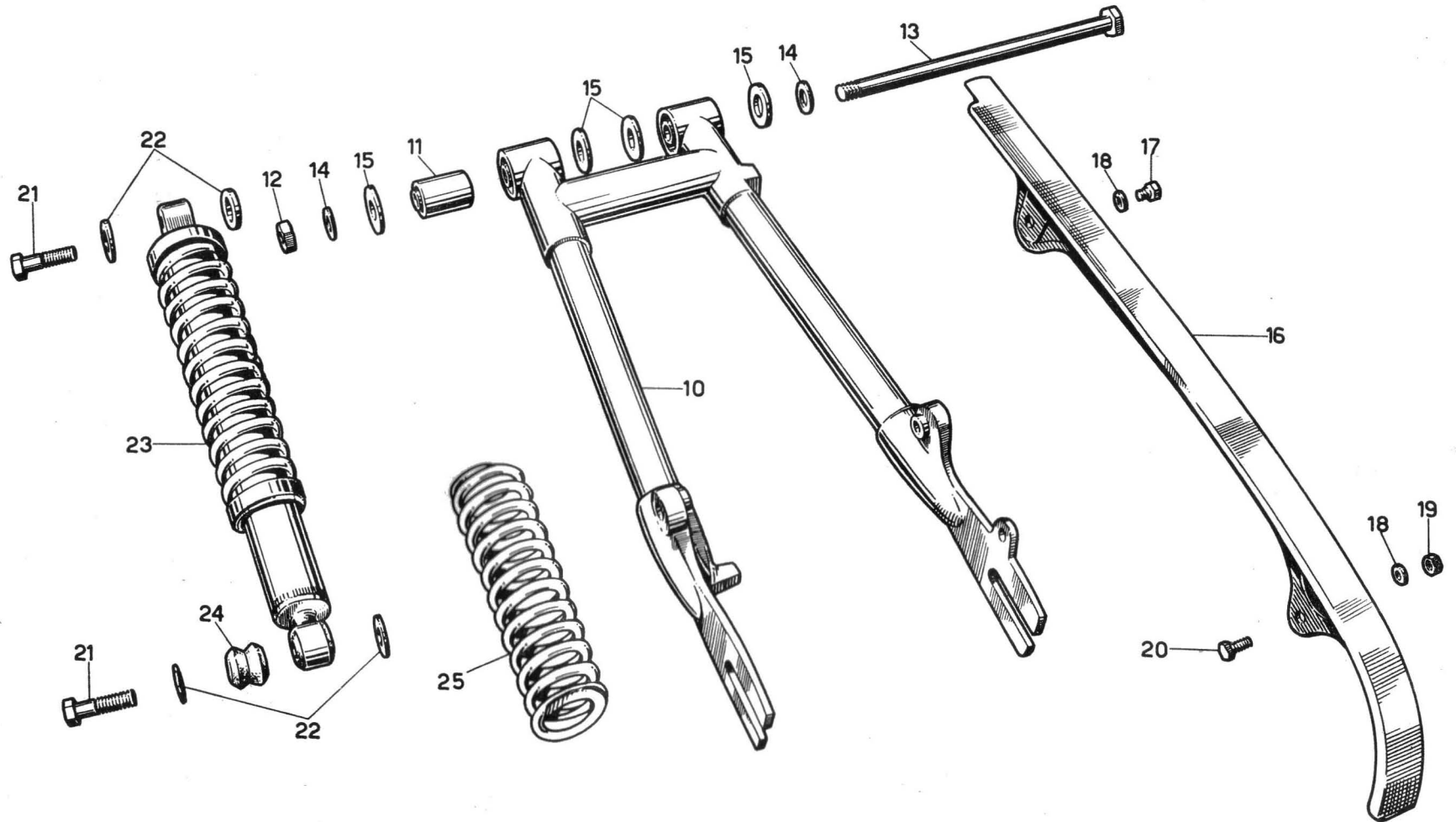


PLATE 12 "125" SPORT
Frame

GROUP: Front wheel - Hub - Front brake
Speedometer

| Figure No. | Order No. | DESCRIPTION | Quantity | Notes |
|------------|-----------|--|----------|--------------------------------|
| | | | | ORDER No. "VEGLIA" Borletti |
| 10 | 55610200 | Wheel, front, complete | 1 | |
| 11 | 24610800 | Rim, front wheel | 1 | |
| 12 | 24611525 | Spoke, front wheel c/w nipples | 32 | |
| 13 | 55613200 | Hub, front wheel | 1 | |
| 14 | 92700125 | Nut, front wheel hub spindle | 1 | |
| 15 | 95101430 | Washer, front wheel hub spindle | 1 | |
| 16 | 55620200 | Cover, rear hub | 1 | |
| 17 | 94030060 | Grease nipple, hub cover | 1 | |
| 18 | 90565566 | Seal ring, hub cover | 1 | |
| 19 | 98106021 | Bolt, cam operating lever | 1 | |
| 20 | 55625000 | Lever, cam operating, front brake | 1 | |
| 21 | 55622500 | Cam, front brake | 1 | |
| 22 | 55620500 | Shoe, front brake, c/w linings | 2 | |
| 23 | 55615200 | Spacer spindle between bearings | 1 | |
| 24 | 24633625 | Distance piece, front hub | 1 | |
| 25 | 55622100 | Spring, front shoe | 2 | |
| 26 | 55625475 | Cable, front brake | 1 | |
| 27 | 55614100 | Spindle, front wheel hub | 1 | |
| 28 | 90713231 | Felt washer, front wheel hub | 2 | |
| 29 | 32614700 | Washer, felt retainer | 2 | |
| 30 | 92201215 | Bearing, front wheel hub (ball) | 2 | |
| 31 | 55761626 | Speedometer, mile calibrated | 1 | 61-4451-990-1 |
| 32 | 55760426 | Cable, complete | 1 | 045-421-0874 |
| 33 | 55762500 | Drive box, speedometer, complete | 1 | 50-0455-990-0 |
| 34 | 93450111 | Bulb, speedo illumination, 6 V - 1,5 W | 1 | |

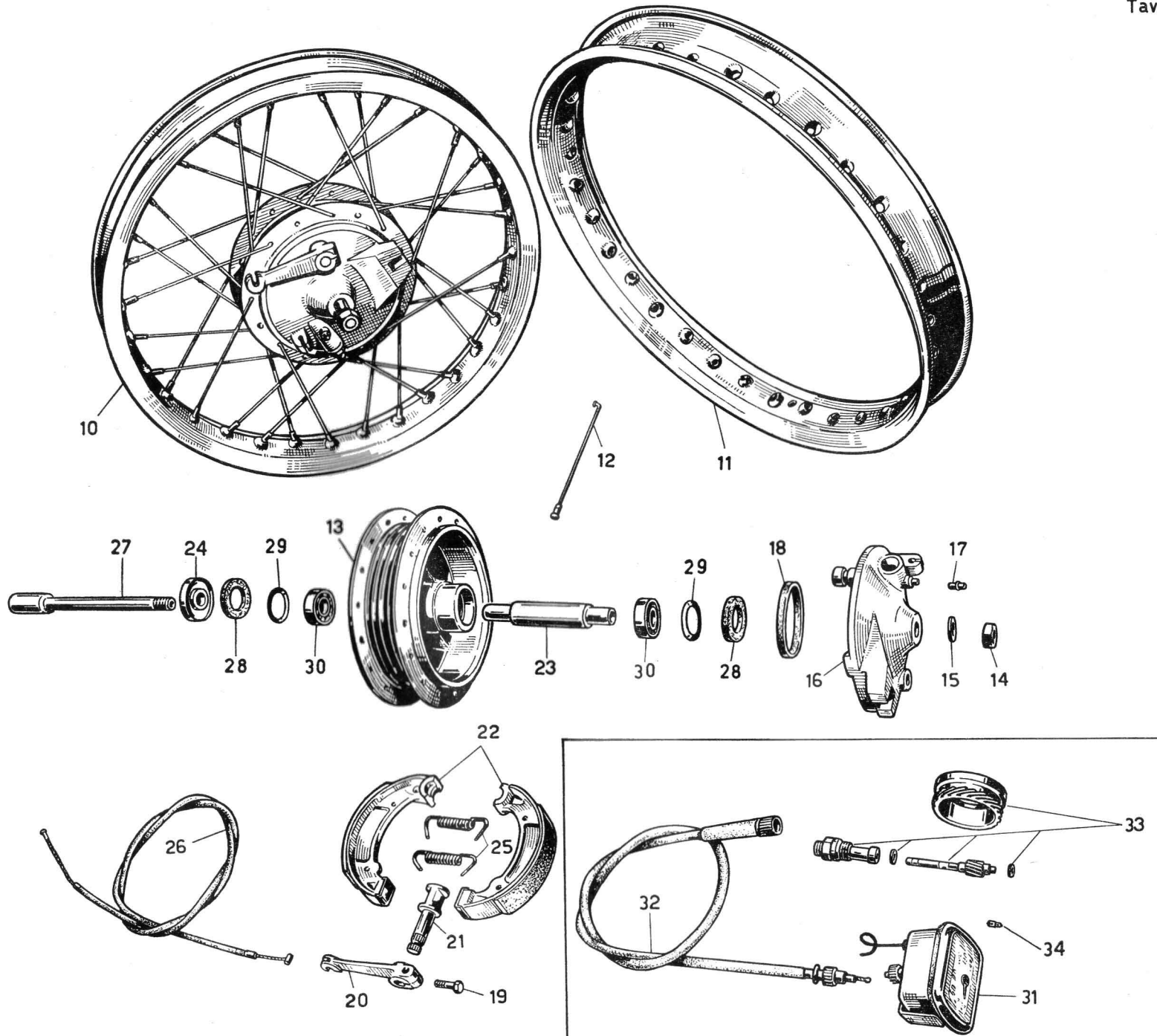


PLATE 13 "125" SPORT
Frame

GROUP: Rear Wheel - Hub - Rear brake

| Figure No. | Order No. | DESCRIPTION | Quantity | Notes |
|--|-----------|--------------------------------------|----------|-------|
| ● 10 | 55630285 | Wheel, rear, complete | 1 | |
| 11 | 24610800 | Rim, rear wheel | 1 | |
| 12 | 24611525 | Spoke, rear wheel, c/w nipple | 32 | |
| 13 | 55632200 | Hub, rear wheel | 1 | |
| 14 | 92701153 | Nut, rear wheel spindle | 2 | |
| 15 | 55336301 | Tensioner, Right and left | 2 | |
| 16 | 55336601 | End plate, chain tensioner | 2 | |
| 17 | 92630106 | Nut, chain tensioner | 2 | |
| 18 | 55635200 | Hub cover, rear wheel, complete | 1 | |
| 19 | 98106021 | Bolt, rear brake lever | 1 | |
| 20 | 55671401 | Lever, rear brake cover | 1 | |
| 21 | 55622500 | Cam, rear brake shoe | 1 | |
| 22 | 55620500 | Shoe assembly, with lining and plate | 2 | |
| ● 23 | 32333100 | Link, chain | 1 | |
| ● 24 | 11333500 | Spring, chain link | 1 | |
| 25 | 55622100 | Spring, rear shoe | 2 | |
| 26 | 95730260 | Knob, rear brake adjusting | 1 | |
| 27 | 95716365 | Roller, rear brake lever | 1 | |
| 28 | 55676001 | Rod, rear brake | 1 | |
| 29 | 95500222 | Cotter pin, rod to brake spindle | 1 | |
| 30 | 95100137 | Washer, rod to brake spindle | 1 | |
| 31 | 55676501 | Spindle, rear brake lever | 1 | |
| 32 | 55677000 | Pedal, rear brake | 1 | |
| 33 | 92700073 | Nut, brake lever to spindle bolt | 1 | |
| 34 | 98107035 | Bolt, brake lever to spindle | 1 | |
| 35 | 90713231 | Felt washer, rear wheel hub | 2 | |
| 36 | 32614700 | Washer felt retainer | 2 | |
| 37 | 92201215 | Bearing, rear wheel hub (ball) | 2 | |
| 38 | 24633625 | Spacer, rear wheel hub | 1 | |
| 39 | 55633300 | Spindle, rear wheel hub | 1 | |
| 40 | 98107520 | Bolt, cushion plate holder securing | 4 | |
| 41 | 95120075 | Washer, cushion plate holder bolts | 4 | |
| 42 | 55335200 | Cushion plate holder | 1 | |
| 43 | 24336800 | Rubber block, cushion | 4 | |
| ● 44 | 55333785 | Chain sprocket, c/w pins (47 t.) | 1 | |
| ● 45 | 55332276 | Chain, driving | 1 | |
| ITEMS FITTED ON PREVIOUS SERIES | | | | |
| ● 10 | 55630201 | Wheel, rear, complete | 1 | |
| ● 23 | 24333100 | Link, chain | 1 | |
| ● 24 | 24333500 | Spring, chain link | 1 | |
| ● 44 | 55333701 | Chain sprocket, c/w pin (47 t.) | 1 | |
| ● 45 | 55332201 | Chain driving | 1 | |

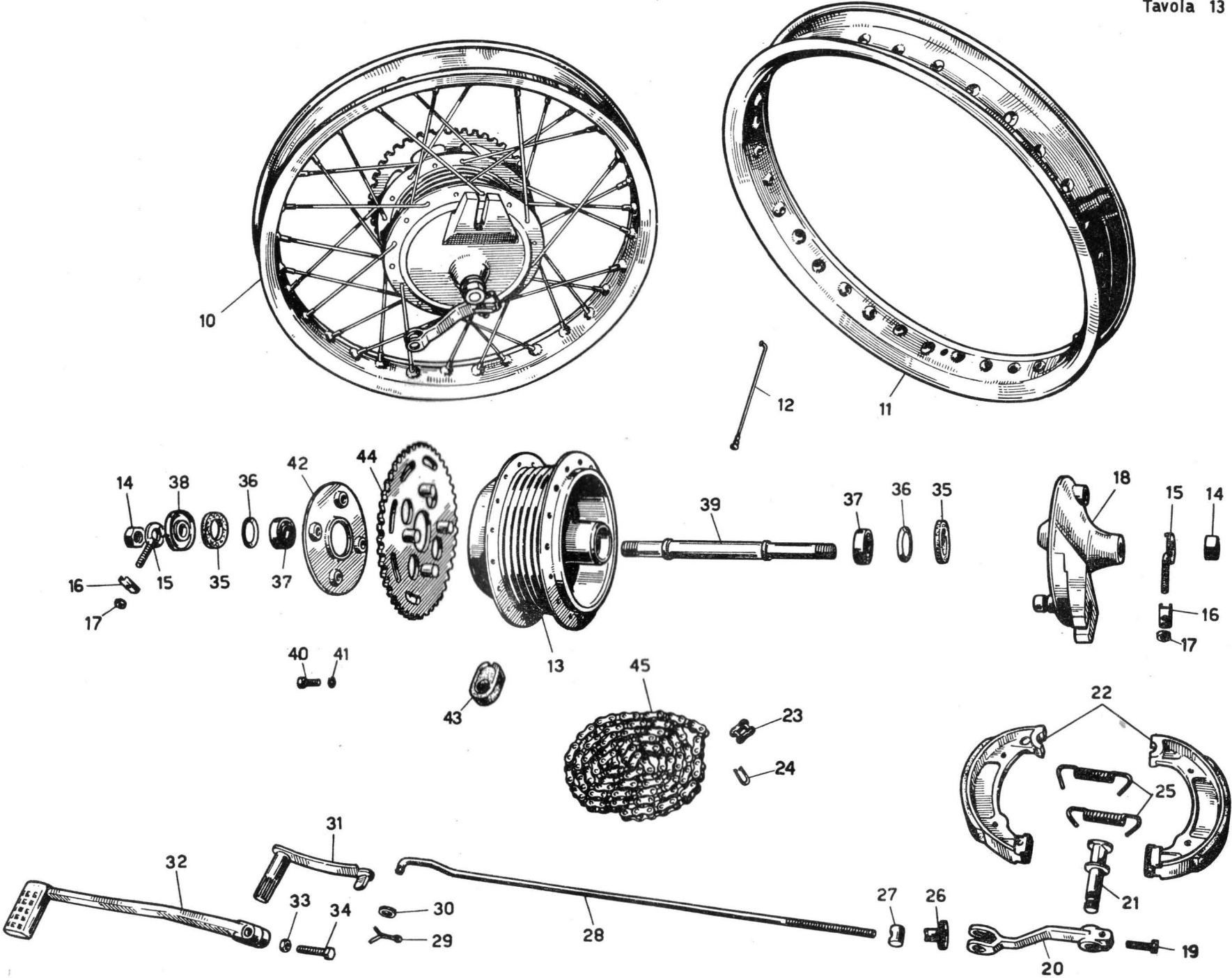


PLATE 14 "125" SPORT
Electrical system

GROUP: Flywheel - Outer coil - Spark Plug

| Figure No. | Order No. | DESCRIPTION | Quantity | Notes |
|------------|-----------|--|----------|---------------------------|
| | | | | ORDER No. Pagani (CEV) |
| 10 | 55712400 | Flywheel, complete | 1 | 6034 |
| 11 | 55716500 | Coil, H.T. external | 1 | 6304m |
| 12 | 55718800 | Spring | 1 | 7758 |
| 13 | 55718900 | Washer | 2 | 7770 |
| 14 | 55719000 | Circlip | 1 | 7750 |
| 15 | 55709400 | Lever, automatic advance | 1 | 7752 |
| 16 | 55709300 | Cam | 1 | 7792 |
| 17 | 55709100 | Circlip, cam | 1 | 7374 |
| 17/1 | 55719000 | Circlip | 1 | 7750 |
| 18 | 55709000 | Screw, contact breaker | 1 | 3250 |
| 19 | 55708900 | Cam, contact breaker | 1 | 7521 |
| 20 | 55709800 | Washer, insulating | 1 | 7375 |
| 21 | 55708800 | Contact breaker | 1 | 013356 |
| 22 | 55715600 | Screws and washers, H.T. and L.T. coil securing | 4 | 0946/1 |
| 23 | 55715100 | Coil, L.T. | 1 | 01333 |
| 24 | 55715000 | Coil, H.T., external | 1 | 01334 |
| 25 | 55707900 | Screw condensor | 1 | 7767 |
| 26 | 55708600 | Condensor | 1 | 7365 |
| 27 | 55702200 | Stator plate | 1 | 01332 |
| 28 | 55701600 | Rotor assembly | 1 | 01337 |
| 28/1 | 55713000 | Stator plate assembly, complete | 1 | 01338 |
| 29 | 92602206 | Nut, bracket securing bolt | 3 | |
| 30 | 95100130 | Washer, bracket to coil bolt | 4 | |
| 31 | 98106017 | Bolt, bracket to coil securing | 2 | |
| 32 | 98106028 | Bolt, bracket fixing | 1 | |
| 33 | 95120065 | Washer, spring, bracket securing bolt | 1 | |
| 34 | 55716825 | Bracket, coil and horn fixing | 1 | |
| 35 | 55717300 | H.T. lead | 1 | |
| 36 | 38717400 | Cap, spark plug | 1 | |
| 37 | 32717000 | Spark plug c/w gasket (Bosch thermic degree no. 225) | 1 | |
| 38 | 98304013 | Screw, stator plate to crankcase | 3 | |
| 39 | 95001204 | Washer, stator plate to crankcase screw | 3 | |

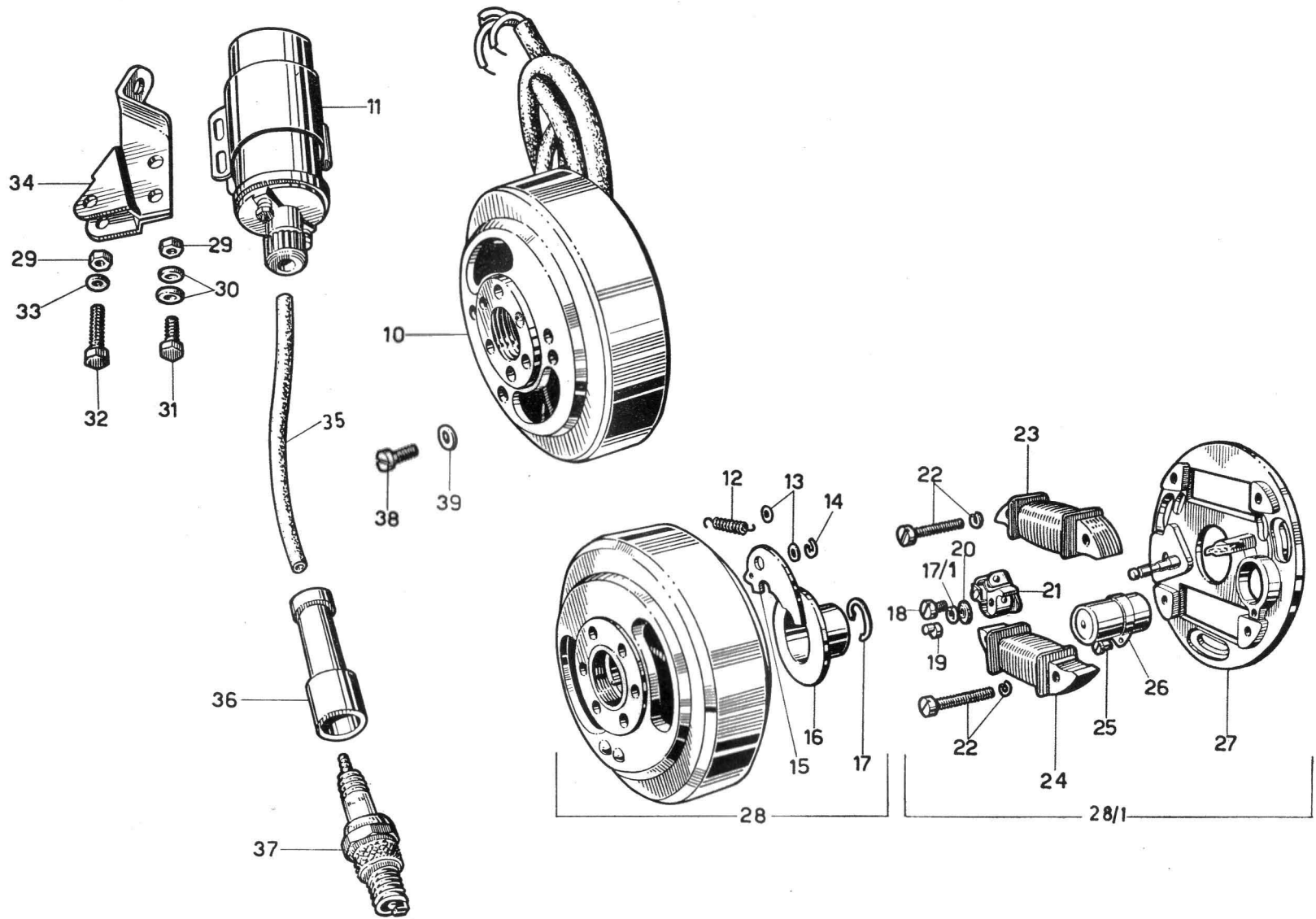
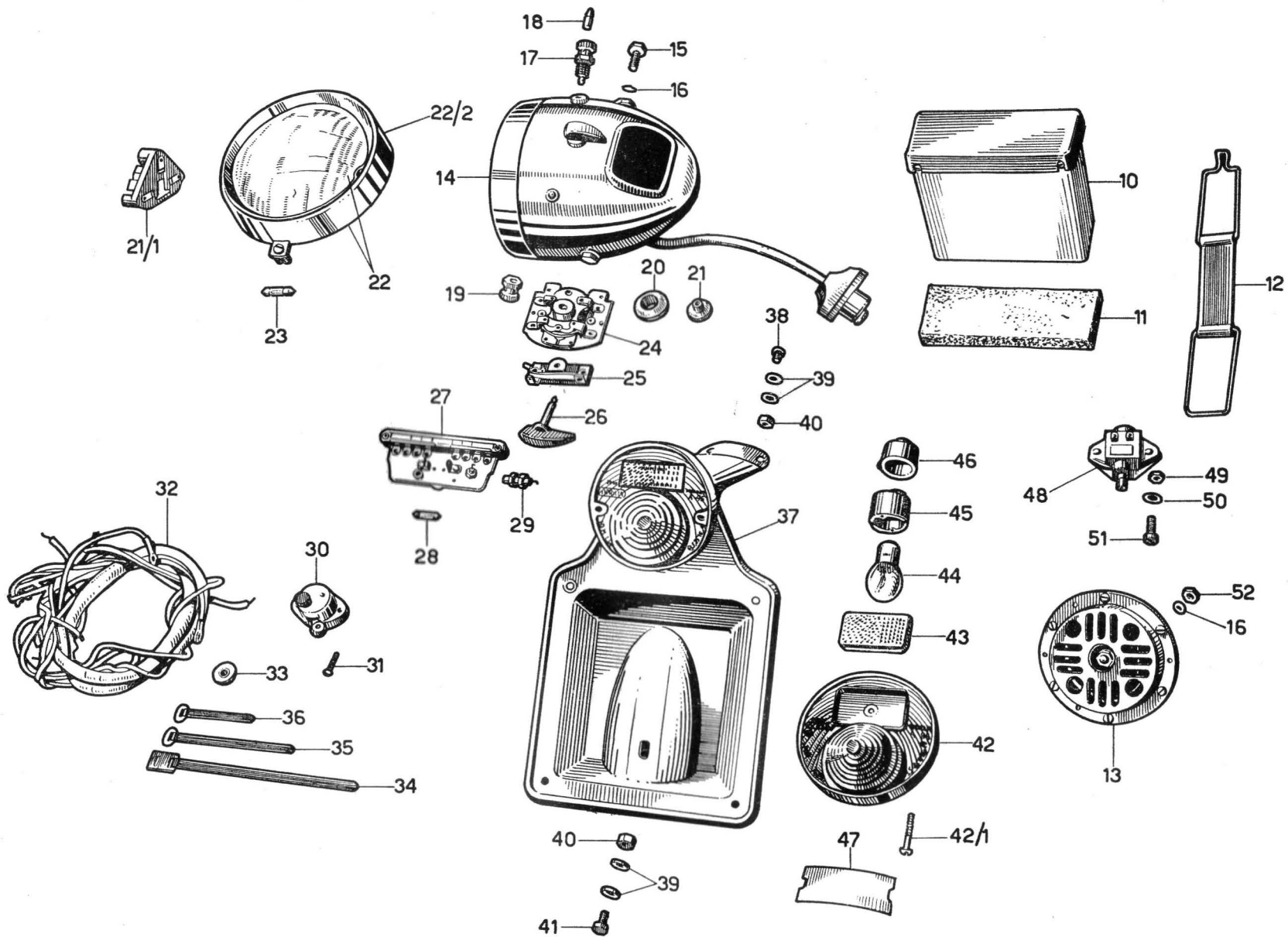


PLATE 15 "125" SPORT
Lighting equipment

GROUP: Battery - Headlight - Plate number - Tail
light - Stop cutout - Horn - Cable harness

| Figure No. | Order No. | DESCRIPTION | Quantity | Notes " APRILIA " ORDER No. |
|------------|-----------|--|----------|-----------------------------------|
| 10 | 55704500 | Battery, 6 V 7 Ah | 1 | |
| 11 | 55705600 | Felt gasket, bottom battery | 1 | |
| 12 | 55705500 | Strap, battery securing | 1 | |
| 13 | 55743700 | Horn | 1 | |
| 14 | 55740585 | Headlight c/w switch | 1 | 035910 |
| 15 | 98024422 | Bolt, headlight to fork | 2 | 31766 |
| 16 | 95120085 | Washer, bolt, headlight to fork | 2 | 12816 |
| 17 | 55768885 | Warning light, red, main light on | 1 | 035080 |
| 18 | 93450110 | Bulb, red warning light, 6 V - 0,6 W | 1 | EL3067 |
| 19 | 55768985 | Warning light, green, pilot light on | 1 | 035081 |
| 20 | 55749485 | Grommet, cylindrical | 2 | 39360 |
| 21 | 55748885 | Grommet, tapered | 1 | 39340 |
| 21/1 | 55768685 | Insulating block c/w socket | 1 | 036746 |
| 22 | 55740385 | Headlamp insert, c/w Rim | 1 | 035306 |
| 22/2 | 55740386 | Rim adjustable | 1 | 035150 |
| 23 | 93450312 | Bulb, parking light, 6 V - 3 W | 1 | EL3002 |
| 24 | 55743485 | Switch, main | 1 | 036424 |
| 25 | 55744185 | Ignition key assembly | 1 | 036110 |
| 26 | 55744885 | Ignition key | 1 | 32552 |
| 27 | 55743085 | Terminal Box c/w diode | 1 | 036883 |
| 28 | 55742585 | Fuse, 15 Ah | 1 | EL6001 |
| 29 | 55743985 | Rectifying diode, complete | 1 | EL5760 |
| 30 | 55746085 | Dimmer switch and horn button | 1 | 036612 |
| 31 | 98200412 | Screw, switch to handlebar | 2 | 31716 |
| | 55747100 | Harness cable (red, green, grey yellow, black, blu, white) | 1 | |
| | 55747325 | Cable, bipolar, horn (black-black) | 2 | |
| 32 | 55747200 | Cable, terminal to coil (red) | 1 | |
| | 55747900 | Cable, coil to earth (black) | 1 | |
| | 55747117 | Cable, stop cutout to tail lamp (black) | 1 | |
| 33 | 91551061 | Grommet, tail lamp cables | 1 | |
| 34 | 93302225 | Band, long, cable securing to frame | 3 | |
| 35 | 93302110 | Band, medium, cable securing to frame | 6 | |
| 36 | 93302106 | Band, short, cable securing to frame | 3 | |
| 37 | 55474985 | Plate number assembly c/w tail lighth | 1 | 035329 |
| 38 | 98346010 | Screw, plate securing to fender | 2 | |
| 39 | 95100130 | Washer, plate screws and bolts | 6 | |
| 40 | 92602206 | Nut, plate screws and bolts | 3 | |
| 41 | 98106011 | Bolt, plate to rear fender | 1 | |
| 42 | 55741785 | Glass and rim, tail light | 1 | 35330 |
| 42/1 | 55739985 | Screw, glass securing | 2 | 31864 |
| 43 | 55745885 | Reflector | 1 | 6534 |
| 44 | 93450212 | Bulb, two filament, plate and stop light, 6 V 3-15 W | 1 | EL3057 |
| 45 | 55741985 | Bulb socket | 1 | 036063 |
| 46 | 55741385 | Cap, plate light (rubber) | 1 | 38391 |
| 47 | 55745285 | Glass white, plate illumination | 1 | 35332 |
| 48 | 32741101 | Cutout stop light | 1 | |
| 49 | 92700050 | Nut, cutout fixing screws | 2 | |
| 50 | 95100055 | Washer, cutout fixing screws | 2 | |
| 51 | 98305017 | Screw, tail light assembly securing | 1 | |
| 52 | 92602208 | Nut, horn to bracket fixing | 1 | |



**PLATE 16 "125" SPORT
Toolkit**

GROUP: Standard tool kit

| Figure No. | Order No. | DESCRIPTION | Quantity | Notes |
|------------|-----------|---|----------|-------|
| 10 | 36901900 | Wrench, box 19-21-22 mm. | 1 | |
| 11 | 32902000 | Wrench, double, 14-17 mm. | 1 | |
| 12 | 36905000 | Screwdriver and box spanner pin | 1 | |
| 13 | 11901000 | Wrench flat, 8-10 mm. | 1 | |
| 14 | 16902300 | Tire levers | 2 | |
| 15 | 32902400 | Inner parts hex wrench | 1 | |
| 16 | 55900400 | Wrench, tappet adjusting | 1 | |
| 17 | 55911200 | Locking block, oil drain plug | 1 | |
| 18 | 55914585 | Tool bag | 1 | |
| 19 | — | Instruction booklet | 1 | |

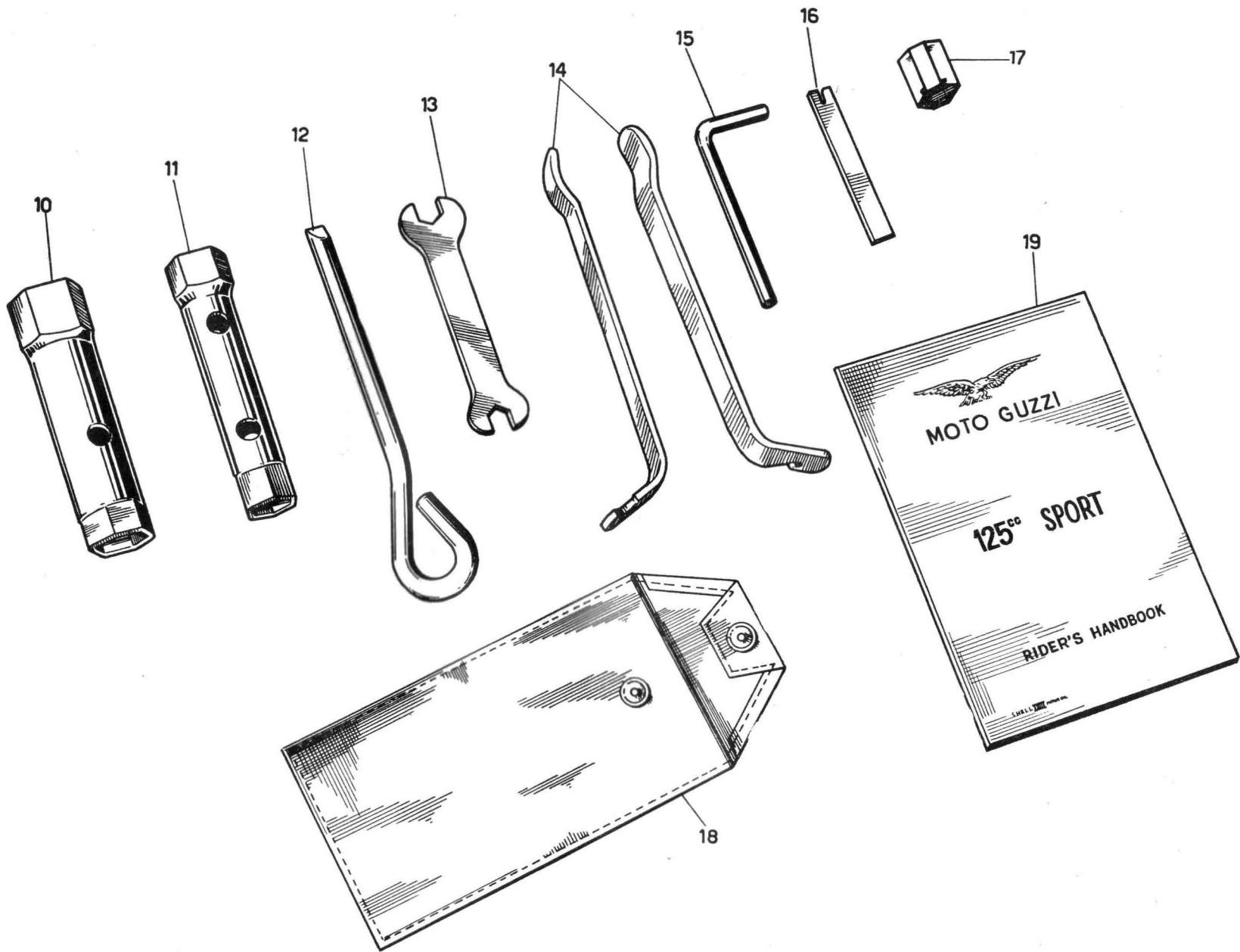


PLATE 17 "125" SCRAMBLER
Variables

GROUP: Exhaust pipe - Muffler - Handlebar
Engine and chain sprockets - Kickstart

| Figure No. | Order No. | DESCRIPTION | Quantity | Notes |
|------------|------------|---|----------|-------|
| 10 | { 55600276 | Handlebar, bare | 1 | |
| | 55600176 | Handlebar, c/w levers | 1 | |
| 11 | 55038050 | Top collar, valve | 1 | |
| 12 | 95100717 | Shim, bottom valve collar | 1 | |
| 13 | 55330550 | Engine sprocket, 15T | 1 | |
| 14 | 55333776 | Chain sprocket, 48T | 1 | |
| 15 | 55744275 | Plate, horn carrying | 1 | |
| 16 | 55120776 | Exhaust pipe | 1 | |
| 17 | 93701420 | Lockring, exhaust pipe | 1 | |
| 18 | 98345007 | Screw, plate protection, securing | 2 | |
| 19 | 55121976 | Protection plate | 1 | |
| 20 | 55127076 | Clamp, exhaust pipe | 1 | |
| 21 | 55129076 | Connecting lug, pipe to frame | 1 | |
| 22 | 98106017 | Bolt, exhaust pipe clamp and lug securing | 2 | |
| 23 | 95100130 | Washer, clamp securing bolt and muffler clip bolt | 9 | |
| 24 | 92602206 | Nut, clamp securing bolt | 1 | |
| 25 | 55128776 | Stay, muffler to frame securing | 1 | |
| 26 | 98024412 | Bolt, stay securing to muffler | 1 | |
| 27 | 92602208 | Nut, muffler securing bolt | 1 | |
| 28 | 55124076 | Baffle plate, muffler | 1 | |
| 29 | 98024310 | Screw, baffle plate securing | 1 | |
| 30 | 55123076 | Muffler | 1 | |
| 31 | 55400275 | Frame | 1 | |
| 32 | 55250950 | Gearshift lever | 1 | |
| 33 | 98106021 | Bolt, tool box and connecting plate to frame | 1 | |
| 34 | { 55917876 | Decal, « Scrambler » right | 1 | |
| | 55917976 | Decal, « Scrambler » left | 1 | |
| 35 | 92701062 | Nut clamp fixing bolt | 4 | |
| 36 | 55500200 | Clamp, handlebar securing | 4 | |
| 37 | 98052350 | Bolt, handlebar clamp | 4 | |
| 38 | 55490276 | Front fork, complete | 1 | |
| 39 | 24513325 | Nut, botton yoke securing | 1 | |
| | | SUPPLIED AS EXTRA ACCESSORIES | | |
| A | 55333777 | Chain sprocket, 53 T | 1 | |
| B | 55333775 | Chain sprocket, 51 T | 1 | |
| C | 55333276 | Chain link, double | 1 | |

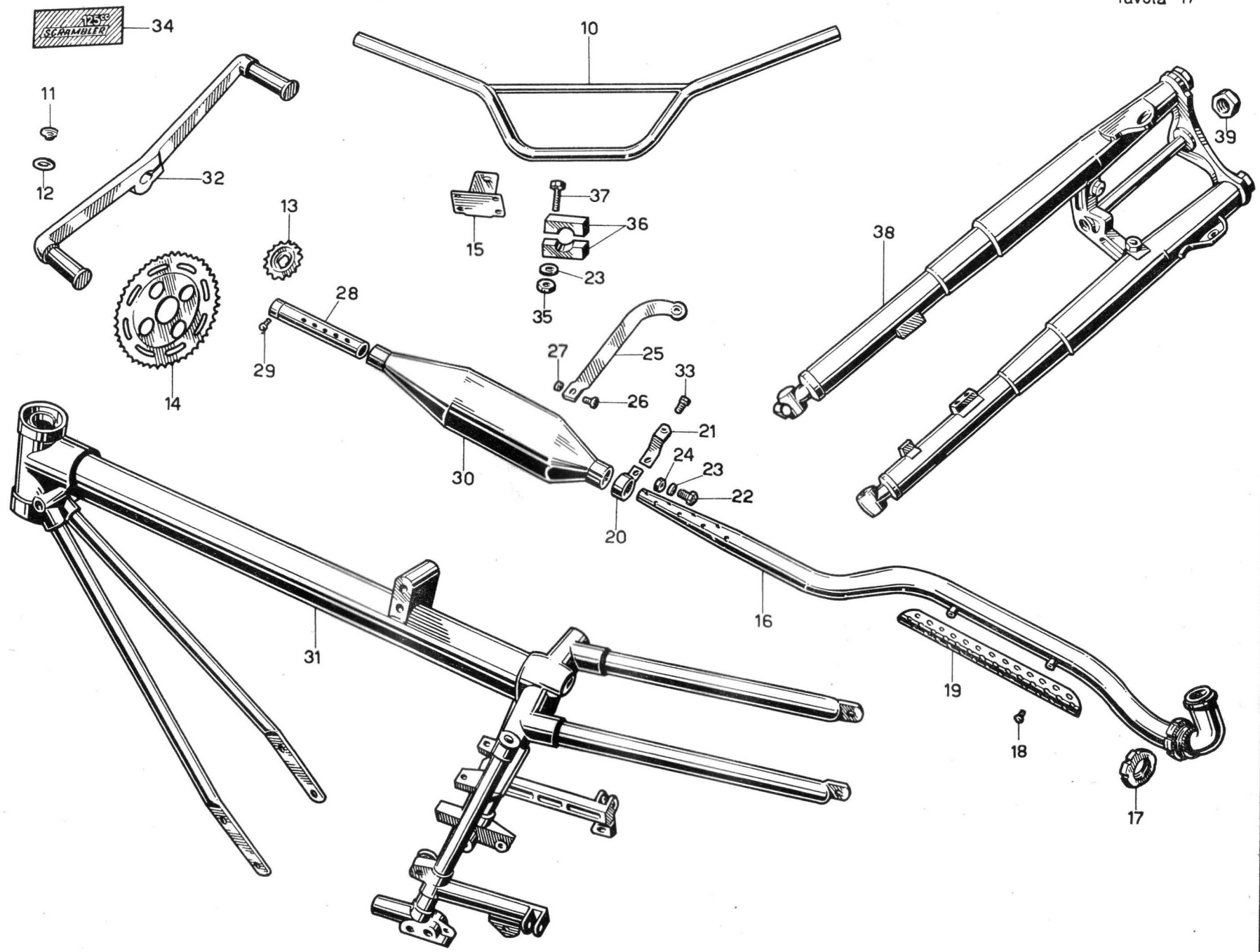
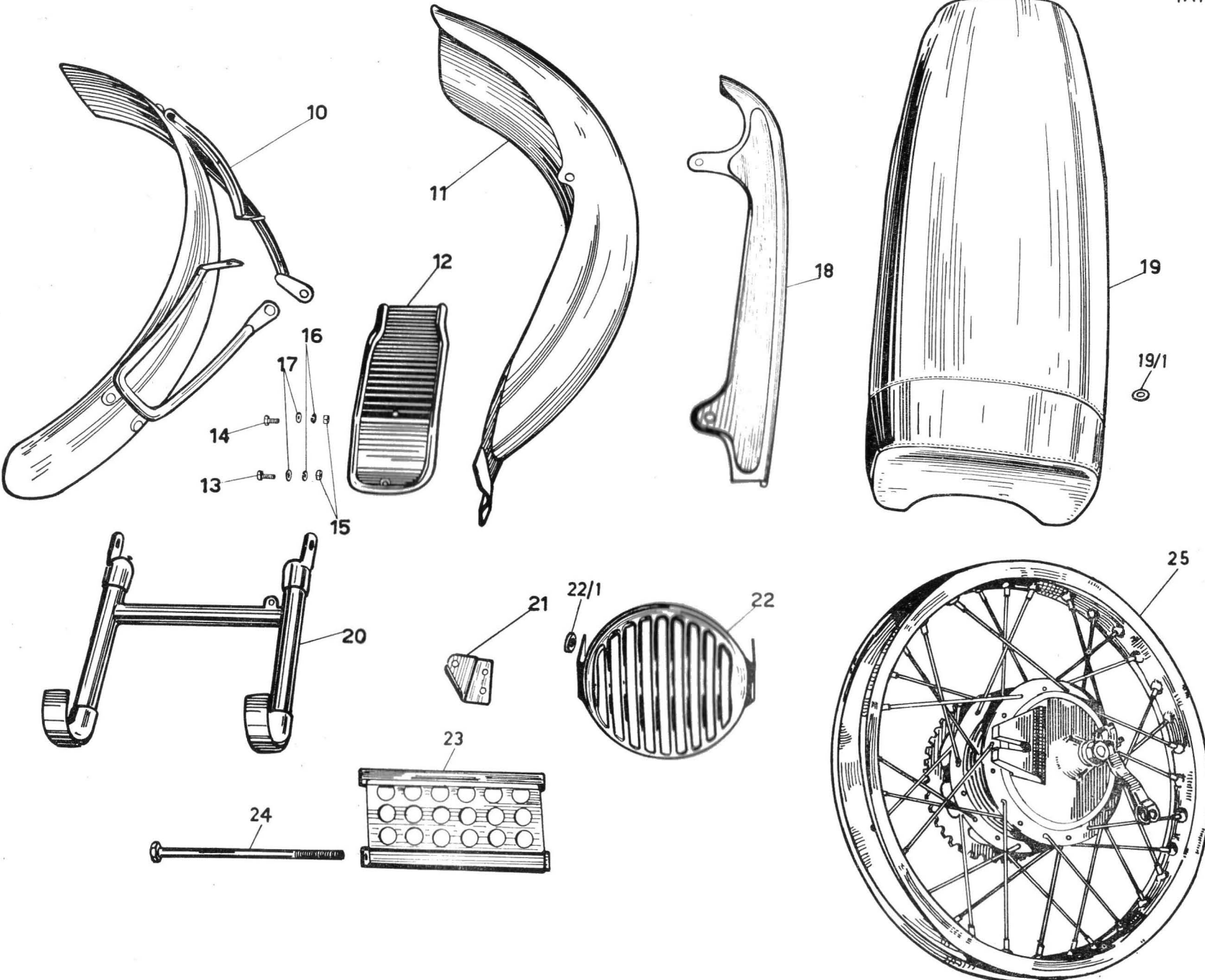


PLATE 18 "125" SCRAMBLER
Variables

GROUP: Front fender - rear fender - chainguard
dual seat

| Figure No. | Order No. | DESCRIPTION | Quantity | Notes |
|------------|-----------|---|----------|-------|
| 10 | 55434375 | Fender, front | 1 | |
| 11 | 55437075 | Fender, rear | 1 | |
| 12 | 55438775 | Splashguard | 1 | |
| 13 | 98106021 | Bolt, fender and splashguard to frame | 1 | |
| 14 | 98024312 | Bolt, splashguard securing | 1 | |
| 15 | 92602206 | Nut, fender and splashguard securing bolts | 2 | |
| 16 | 95021106 | Spring washer, fender and splashguard bolts | 2 | |
| 17 | 95100130 | Washer, fender and splashguard bolt | 2 | |
| 18 | 55473075 | Chainguard | 1 | |
| 19 | 55460576 | Dual seat | 1 | |
| 19/1 | 95100233 | Washer, seat securing bolt | 2 | |
| 20 | 55430375 | Center stand | 1 | |
| 21 | 55716850 | Bracket, coil support | 1 | |
| 22 | 55503076 | Screen, headlight lens protector | 1 | |
| 22/1 | 91180809 | Spacer, headlight screen | 2 | |
| 23 | 55408450 | Plate, engine protection, front | 1 | |
| 24 | 98108187 | Stud, engine fixing | 2 | |
| 25 | 55630276 | Wheel, rear | 1 | |



BODEGATIPOGRAFIA - LECCO

OTTOBRE 1986 - 500 COPIE