
7
700^{CC}

**spare
parts
catalogue**



S H E L L X100 MOTOR OIL
CATENE REGINA

SEIMM

SOCIETA' ESERCIZIO INDUSTRIE MOTO MECCANICHE S.p.A.

CAPITALE SOCIALE SOTTOSCRITTO: L. 495.000.000

SEDE LEGALE: MILANO - GALLERIA DE CRISTOFORIS, 3 - TEL. 700965 - 702021

STABILIMENTI E AMMINISTRAZIONE: MANDELLO DEL LARIO (COMO) - TEL. 71112 (4 linee urbane)

Telegrammi: SEIMM - Mandello



MOTO GUZZI

700 cc. V-7 TWIN

SPARE PARTS CATALOGUE

JANUARY 1967 - 1st EDITION

CONDITIONS OF SALE

- SALES — All spare parts supplies are subject to goods availability at the time the order is received.
- PRICES — All prices appearing in the official price list are net ex-factory prices. Any tax or charge inherent to the buying and selling transaction shall be entirely on the buyers.
- DELIVERY AND SHIPMENT — Moto Guzzi shall not be held liable for any delayed delivery. Any indicated time is only informative and not binding. All goods travel at buyer's risk, including C.O.D. deliveries.
- DISTRIBUTORS — Any order obtained by the Distributor shall not be binding on Moto Guzzi who reserves the right to decide its execution or not.
- CLAIMS — Any claim for parts received in a damaged condition, not corresponding to the order, or short supplied is to be made within 8 days from the receipt of such parts.
- LIABILITY — Moto Guzzi shall not be held responsible for any damages to persons or property arising out from the use of its products, even if such damages be caused by structural or machining defects of the material supplied.

HOW TO ORDER

All orders should contain the following information :

- Transport means required
- Engine number of machine
- Description of part and part number
- Quantity

All original Moto Guzzi parts are stamped with the registered trade mark and may be obtained from the general distributors or the officially appointed Moto Guzzi dealers.



Fig. 1 - Left view



Fig. 2 - Right view

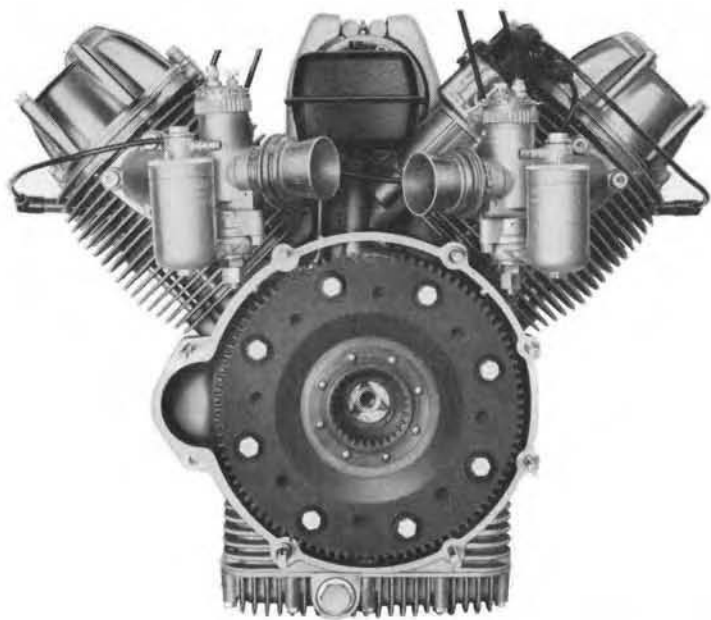


Fig. 3 - Engine

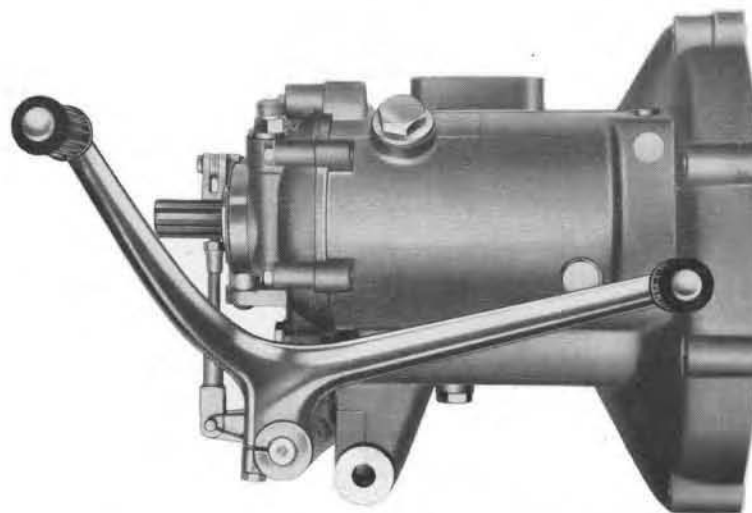


Fig. 4 - Gear box

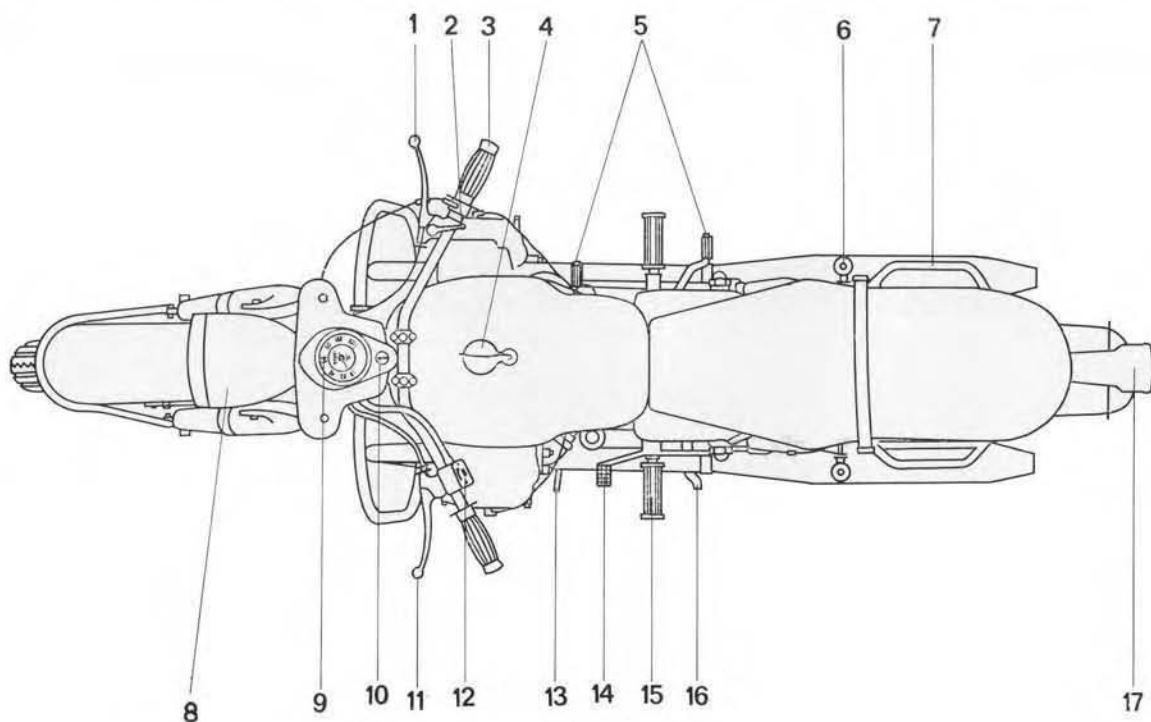


Fig. 5

CONTROLS AND ACCESSORIES

- 1 - Front brake lever
- 2 - Air control lever
- 3 - Throttle control grip
- 4 - Fuel filler cap
- 5 - Gearshift lever
- 6 - Pillion footrests
- 7 - Pillion handgrip
- 8 - Headlight
- 9 - Speedometer and lighted indicators
- 10 - Key type ignition switch
- 11 - Clutch lever
- 12 - Dipper switch and horn button
- 13 - Side stand
- 14 - Rear brake pedal
- 15 - Footrests
- 16 - Center stand
- 17 - Tail lamp

TECHNICAL SPECIFICATION

ENGINE

704 cc. OVH twin, air cooled, alloy barrels with hard chrome lining, light alloy hemispherical heads, steel con-rods with thin wall bearings, anti-friction main bearings (as used in all F1 Race cars).

BORE: 80 mm.

STROKE: 70 mm.

BRAKE HORSEPOWER: 50 HP SAE at 6000 r.p.m.

COMPRESSION RATIO: 9 to 1.

FUEL TANK CAPACITY: 4½ US gallons.

LUBRICATION: wet sump, gear type oil pressure pump.

CLUTCH: twin plate dry clutch with cushion drive.

SUSPENSION: telescopic front fork with two-way hydraulic suspension. Rear swinging arm with hydraulically damped 3-way adjustable shock absorbers.

DRIVE: shaft drive with dual bevel-gear to the rear wheel.

FRAME: duplex tubular structure. Center and side stands.

BRAKES: large diameter twin leading shoes front brake. Single LS rear brake.

WHEELS: 18" alloy rims.

TIRES: 4.00 x 18" front and rear.

SEAT: large dual seat with chrome hand rail and safety bars.

SPEEDOMETER: Borletti car type speedo instrument (oil pressure gauge, neutral indicator, and charge indicator).

ELECTRICAL SYSTEM: 12 V - 300 W battery powered system. 6" 45/40 W headlight. Electrical starter.

NUMERICAL INDEX

Order No.	Plate No.	Figure No.	Order No.	Plate No.	Figure No.	Order No.	Plate No.	Figure No.	Order No.	Plate No.	Figure No.	Order No.	Plate No.	Figure No.	Order No.	Plate No.	Figure No.
11251900	9	17	12030200	1	24	12084100	7	10	12157600	4	49	12350200	10	21	12478600	11	46
11500700	13	32	12030400	1	25	12084400	7	12	12158400	4	18	12350300	10	31	12490220	12	10
12000700	2	10	12031800	1	29	12085700	7	15	12159000	4	22	12350400	10	48	12492300	12	21
12001200	2	29	12034000	1	27	12085900	7	16	12159100	4	19	12350700	10	49	12492700	12	20
12001400	2	24	12034800	1	23	12086000	7	18	12159200	4	21	12351100	10	57	12493000	12	19
12001620	2	30	12036000	1	21	12086100	7	20	12200200	8	10	12351300	10	59	12494100	12	25
12003500	2	34	12036100	1	22	12090100	7	22	12200700	8	14	12351400	10	55	12494200	12	27
12003600	2	35	12036800	1	16	12090400	7	23	12200800	8	11	12352100	10	47	12494500	12	23
	2	36	12037000	1	20	12093000	7	26	12201000	8	24	12352400	10	39	12496120	12	31
12003700	8	37	12037400	1	19	12100200	5	10	12201100	8	18	12352600	10	40	12496220	12	32
	10	32	12038000	1	18	12105400	5	19	12201400	8	25	12352900	10	41	12500200	13	29
12004900	2	38	12038100	1	17	12106600	5	20	12201500	8	26	12354600	10	45	12501500	12	11
12006200	4	14	12045000	3	42	12112400			12202000	9	33	12355100	10	42	12504500	12	16
	4	15	12045800			12112401	6	10	12207200	8	32	12355200	10	43	12504600	12	18
12006500	7	27	12045801	3	41	12113200	6	68	12207700	8	33	12355300	10	44	12522500	12	40
	4	16	12045802			12113400	6	70	12210500	9	36	12355400	10	50	12522600	12	41
12006600	4	10	12053300	3	35	12113600	6	69	12210700	9	53	12356300	10	52	12525400	12	37
12007200	4	11	12054000	3	36	12114300	6	75	12211100	9	60	12356400	10	53	12525800	12	39
12007600			12054500	3	39	12114400	6	11	12211200	9	59	12400100	11	10	12525900	12	38
12011400			12060200	3	18/1	12115000	1	48	12211500	9	58	12418200	11	16	12526600	12	34
12011401	2	20	12060400	3	18	12115500	1	49	12211600	9	57	12429600	11	15	12526700	12	45
12011402			12060600	3	21/1	12117000	6	23	12211700	9	56	12429700	11	13	12527200	12	44
12011403			12060700	3	19	12117500	6	24	12213600	9	38	12429800	11	14	12527600	12	33
12011404			12060800	3	20	12118000	13	27	12214000	9	43	12430300	11	22	12527700	12	35
12011700	2	40	12060900	3	21	12120200	5	28	12214300	9	42	12432000	11	28	12540200	10	10
12011800	2	22	12061200	3	22	12120900	5	25	12214400	9	47	12432800	11	29	12547000	10	16
12011900			12061500	3	12	12120905	5	26	12214700	9	49	12433000	11	27	12547200	10	15
12011901			12062000			12122920	5	37	12215100	9	51	12434000	11	26	12547800	10	13
12011902	2	16	12062001			12123020	5	36	12215300	9	52	12434000	11	26	12548000	10	22
12011903			12062002	3	17	12123400	5	30	12215500	9	41	12434200	11	32	12548200	10	23
12011904			12062003			12123900	5	29	12230500	9	35	12434300	12	50	12548400	10	24
12012100	2	18	12062004			121246200	4	27	12230700	9	46	12435700	12	52	12550200	11	42
12012200	2	39				12147700	4	30	12231500	9	50	12435900	12	53	12552300	11	43
12012800	2	23	12062200	3	16	12147800	4	28	12232400	9	34	12437000	11	62	12555200	11	63
12012900	2	19	12062300	3	15	12148500	4	29	12234300	9	31	12440200	11	34	12600100	13	10
12018900	2	32	12064200	3	10	12149800	4	36	12234400	9	26	12442300	11	39	12600300	13	11
12020200	1	35	12065400	3	11	12150700	4	24	12236800	9	23	12443200	11	35	12601000	13	14
12020800	1	36	12067000	3	29	12150900	4	26	12238500	9	25	12450300	11	40	12601900	13	23
12021600	1	42	12067600	3	30	12152200	4	37	12250900	9	10	12450400	11	41	12605400	13	12
12021700	1	37	12067700	3	31	12152600	4	39	12251100	9	13	12460500	11	51	12605500	13	21
12021800	1	41	12067900	3	32	12153000	4	38	12257800	9	20	12461600	11	52	12607500	6	12
12021900	1	44	12072000	3	24	12153200	4	42	12257900	9	19	12464320	11	57	12607900	6	13
12022000	1	34	12074000	3	26	12153600	4	45	12258200	9	22	12468500	11	60	12608300	6	22
12012100			12081800	9	55	12155700	4	50	12326300	10	26	12468600	11	61	12610200	14	10
12022200	1	15	12082300	7	13	12157400	4	51	12327700	10	27	12474920	16	77	12610300	14	11
12023520	1	10	12082800	7	14	12157500	4	41	12328000	10	25	12476000	11	44	12610800	14	12
12023700	1	11	12082900	7	11							12478500	11	45		15	12

NUMERICAL INDEX

Order No.	Plate No.	Figure No.	Order No.	Plate No.	Figure No.	Order No.	Plate No.	Figure No.	Order No.	Plate No.	Figure No.	Order No.	Plate No.	Figure No.	Order No.	Plate No.	Figure No.
11251900	9	17	12030200	1	24	12084100	7	10	12157600	4	49	12350200	10	21	12478600	11	46
11500700	13	32	12030400	1	25	12084400	7	12	12158400	4	18	12350300	10	31	12490220	12	10
12000700	2	10	12031800	1	29	12085700	7	15	12159000	4	22	12350400	10	48	12492300	12	21
12001200	2	29	12034000	1	27	12085900	7	16	12159100	4	19	12350700	10	49	12492700	12	20
12001400	2	24	12034800	1	23	12086000	7	18	12159200	4	21	12351100	10	57	12493000	12	19
12001620	2	30	12036000	1	21	12086100	7	20	12200200	8	10	12351300	10	59	12494100	12	25
12003500	2	34	12036100	1	22	12090100	7	22	12200700	8	14	12351400	10	55	12494200	12	27
12003600	2	35	12036800	1	16	12090400	7	23	12200800	8	11	12352100	10	47	12494500	12	23
	2	36	12037000	1	20	12093000	7	26	12201000	8	24	12352400	10	39	12496120	12	31
12003700	8	37	12037400	1	19	12100200	5	10	12201100	8	18	12352600	10	40	12496220	12	32
	10	32	12038000	1	18	12105400	5	19	12201400	8	25	12352900	10	41	12500200	13	29
12004900	2	38	12038100	1	17	12106600	5	20	12201500	8	26	12354600	10	45	12501500	12	11
12006200	4	14	12045000	3	42	12112400	6	10	12202000	9	33	12355100	10	42	12504500	12	16
	4	15	12045800			12112401			12207200	8	32	12355200	10	43	12504600	12	18
12006500	7	27	12045801	3	41	12113200	6	68	12207700	8	33	12355300	10	44	12522500	12	40
	4	16	12045802			12113400	6	70	12210500	9	36	12355400	10	50	12522600	12	41
12006600	4	10	12053300	3	35	12113600	6	69	12210700	9	53	12356300	10	52	12525400	12	37
12007200	4	10	12054000	3	36	12114300	6	75	12211100	9	60	12356400	10	53	12525800	12	39
12007600	4	11	12054500	3	39	12114400	6	11	12211200	9	59	12400100	11	10	12525900	12	38
12011400			12060200	3	18/1	12115000	1	48	12211500	9	58	12418200	11	16	12526600	12	34
12011401			12060400	3	18	12115500	1	49	12211600	9	57	12429600	11	15	12526700	12	45
12011402	2	20	12060600	3	21/1	12117000	6	23	12211700	9	56	12429700	11	13	12527200	12	44
12011403			12060700	3	19	12117500	6	24	12213600	9	38	12429800	11	14	12527600	12	33
12011404			12060800	3	20	12118000	13	27	12214000	9	43	12430300	11	22	12527700	12	35
12011700	2	40	12060900	3	21	12120200	5	28	12214300	9	42	12432000	11	28	12540200	10	10
12011800	2	22	12061200	3	22	12120900	5	25	12214400	9	47	12432800	11	29	12547000	10	16
12011900			12061500	3	12	12120905	5	26	12214700	9	49	12433000	11	27	12547200	10	15
12011901			12062000			12122920	5	37	12215100	9	51	12433000	16	64	12547800	10	13
12011902	2	16	12062001			12123020	5	36	12215300	9	52	12434000	11	26	12548000	10	22
12011903			12062002	3	17	12123400	5	30	12215500	9	41	12434200	11	32	12548200	10	23
12011904			12062003			12123900	5	29	12230500	9	35	12434300	12	50	12548400	10	24
12012100	2	18	12062004			12146200	4	27	12230700	9	46	12435700	12	52	12550200	11	42
12012200	2	39				12147700	4	30	12231500	9	50	12435900	12	53	12552300	11	43
12012800	2	23	12062200	3	16	12147800	4	28	12232400	9	34	12437000	11	62	12555200	11	63
12012900	2	19	12062300	3	15	12148500	4	29	12234300	9	31	12442300	11	39	12600100	13	10
12018900	2	32	12064200	3	10	12149800	4	36	12234400	9	26	12442300	11	39	12600300	13	11
12020200	1	35	12065400	3	11	12150700	4	24	12236800	9	23	12443200	11	35	12601000	13	14
12020800	1	36	12067000	3	29	12150900	4	26	12238500	9	25	12450300	11	40	12601900	13	23
12021600	1	42	12067600	3	30	12152200	4	37	12250900	9	10	12450400	11	41	12605400	13	12
12021700	1	37	12067700	3	31	12152600	4	39	12251100	9	13	12460500	11	51	12605500	13	21
12021800	1	41	12067900	3	32	12153000	4	38	12257800	9	20	12461600	11	52	12607500	6	12
12021900	1	44	12072000	3	24	12153200	4	42	12257900	9	19	12464320	11	57	12607900	6	13
12022000	1	34	12074000	3	26	12153600	4	45	12258200	9	22	12468500	11	60	12608300	6	22
12012100			12081800	9	55	12155700	4	50	12326300	10	26	12468600	11	61	12610200	14	10
12022200	1	15	12082300	7	13	12157400	4	51	12327700	10	27	12474920	16	77	12610300	14	11
12023520	1	10	12082800	7	14	12157500	4	41	12328000	10	25	12476000	11	44	12610800	14	12
12023700	1	11	12082900	7	11							12478500	11	45		15	12

NUMERICAL INDEX

Order No.	Plate No.	Figure No.	Order No.	Plate No.	Figure No.	Order No.	Plate No.	Figure No.	Order No.	Plate No.	Figure No.	Order No.	Plate No.	Figure No.	Order No.	Plate No.	Figure No.
12611500	14	13	12700700	16	14	12807000	6	15	12938800	6	61	55902400	17	15	91112124	3	13
12613200	14	14	12700900	16	18	12807100	6	14	12938900	6	63	55905000	17	19	91122716	9	48
12614100	14	17	12702500	16	29	12807200	6	16	12999000	17	A	55932585	6	53	91122720	9	44
12615200	14	40	12702900	16	52	12900800	17	12	12999500	17	B	55934085	6	58	91181015	11	58
12615300	14	43	12703000	16	51	12901000	17	11	25087000	7	19	55934785	6	57	91551081	16	68
12620200	14	18	12703800	16	24	12901100	17	20	25704500	16	54	55934985	6	56	91701232	4	31
12620800	14	19	12704100	16	25	12914500	17	21	25705501	16	58	55938585	6	33	91702355	3	25
12620900	14	21	12704200	16	40	12917800	16	63	25707100	16	53	90118152	1	30	92201070	10	54
12621400	14	20	12704600	16	57	12919425	5	10/1	25902000	17	16	90118245	9	37	92201120	8	19
12621500	14	38	12705200	16	61	12919525			25902100	17	14	90271020	10	28	92201220	8	15
12622100	14	23	12705400	16	62	12932000	6	47	25905500	17	17	90271023	9	54	92201222	8	20
12622200	14	24	12705600	16	55	12932100	6	52	25905600	17	18	90271027	9	45	92201225	8	12
12622300	14	24	12706600	16	65	12932400	6	54	26706700	16	56	90272058	10	29	92204228	10	30
12622500	14	27	12706800	16	67	12933000	6	50	26267200	9	29	90280005	16	66	92246922	14	41
12625000	14	29	12715400	16	33	12933100	6	49	40917800	11	24	90351037	3	23	92249216	10	18
12625300	14	28	12715700	16	30	12933200	6	51	45717600		51	90353046	12	43	92249225	10	38
12625400	14	27/1	12715900	16	31	12933700	6	46	55103425	5	15	90402535	8	17	92249225	12	24
12626600	14	31	12716200	16	34	12933900	6	48	55103525	5	14	90403040	10	17	92254340	10	56
12626700	14	32	12716500	16	38	12934600	6	59	55103900	5	11	90403249	14	39	92256217	8	13
12626800	14	33	12717400	16	45	12934900	6	55	55104000		11	90403547	8	21	92295704	7	17
12630200	15	10	12717600	16	42	12935000	6	31	55104600	5	11	90403550	12	36	92602206	6	74
12630500	15	11	12717800	16	41	12935100	6	30	55104700		11	90403850	10	58	92602208	11	30
12633000	15	14	12718300	16	44	12935200	6	29	55104800	5	35	90405368	2	25	92602210	11	50
12633200	15	47	12718500	16	46	12935300	6	26	55104900		35	90405368	2	21	92602212	14	34
12633300	15	17	12719300	16	48	12935400	6	27	55105000	5	42	90407085	10	51	92602216	16	60
12634000	15	52	12730700	16	49	12935500	6	62	55127025		42	90706090	1	40	92602218	2	15
12634100	15	18	12735300	16	71	12935600	6	25	55234700	8	42	90706119	1	43	92602220	6	19
12635200	15	19	12735400	16	73	12935700	6	60	55236400	9	27	90706150	7	21	92602222	12	61
12636200	15	25	12735500	16	74	12935800	6	28	55237800	8	29	90706222	12	17	92602224	16	28
12636600	15	28	12740500	16	75	12935900	6	64	55237900	9	28	90706250	16	72	92602226	5	32
12637400	15	20	12743700	16	69	12936000	6	65	55238200	9	24	90706250	16	72	92602228	11	36
12638100	15	24	12746020	16	76	12936200	6	66	55251000	9	11	90706490	12	42	92602230	14	26
12639600	15	33	12747100	16	85	12936300	6	67	55251000	9	11	90714051	12	49	92602232	15	30
12676000	15	39	12747200			12937000	6	36	55434825	12	56	90714082	4	46	92602234	11	11
12676500	15	40	12747320	16	50	12937100	6	32	55436500	12	62	90714101	8	40	92602236	12	57
12677000	15	41	12747420			12937200	6	39	55551600	11	54	90714123	5	18	92602238	13	17
12678000	15	43	12747500	8	44	12937300	6	40	55603000	13	26	90714124	4	17	92602240	1	28
12700200	16	10	12747700			12937400	6	41	55603400	13	25	90714195	8	38	92602242	8	34
12700300	16	11	12747900	8	45	12937500	6	34	55603500	13	24	90716082	1	46	92602244	11	23
12700600	16	20	12749400			12937600	6	42	55605600	13	13	90718375	5	27	92700050	16	84
12700605	16	21	12760400	8	44	12937700	6	35	55605700	13	22	91111511	1	26	92700061	5	17
			12761620	8	43	12937800	6	43	55717000	16	47				92700071	6	21
			12762500	8	45	12937900	6	44	55741100	16	81				92700122	8	30
			12763300	8	46	12938000	6	45	55749185	16	80						
			12766100	8	47	12938600	6	37	55900400	17	13						
			12768700	4	48	12938700	6	38	55901900	17	10						

ILLUSTRATED PLATES

PLATE 1 MODEL: V-7 twin
Engine

GROUP: Cylinders - Cylinder heads - Rocker
boxes - Rocker Assemblies - Valves

Fig. No.	Order No.	DESCRIPTION	Quantity	Notes
10	12 02 35 20	Cover, rocker box	2	
11	12 02 37 00	Gasket, rocker box	2	
12	98 10 60 82	Screw, long, rocker cover	8	
13	98 10 60 28	Screw short, rocker cover	8	
14	95 10 01 30	Washer, rocker cover screws	16	
15 }	12 02 21 00	Cylinder head, R/H	1	
	12 02 22 00	Cylinder head, L/H	1	
16	12 03 68 00	Guide, inlet and exhaust valves	4	
17	12 03 81 00	Semicones, valves	8	
18	12 03 80 00	Top collars, valves	4	
19	12 03 74 00	Spring, valves	4	
20	12 03 70 00	Bottom collars, valves	4	
21	12 03 60 00	Inlet valve	2	
22	12 03 61 00	Exhaust valve	2	
23	12 03 48 00	Support, rocker arms	2	
24	12 03 02 00	Rocker arm, R/H, with bushings	2	
25	12 03 04 00	Rocker arm, L/H, with bushings	2	
26	91 11 15 11	Bushing, rocker arm	4	
27	12 03 40 00	Tappet screw	4	
28	92 60 25 08	Nut, tappet adjusting screw	4	
29	12 03 18 00	Spindle, rocker arm	4	
30	90 11 81 52	Washer, rocker arm	4	
31	94 32 22 15	Spring, rocker arm	4	
32	98 02 43 12	Bolt, rocker spindle	4	
33	95 02 11 06	Washer, rocker spindle bolts	4	
34	12 02 20 00	Gasket, cylinder head	2	
35	12 02 02 00	Cylinder	2	
36	12 02 08 00	Gasket, cylinder base	2	
37	12 02 17 00	Bolt, cylinder head, long	8	
38	95 10 03 15	Washer, cylinder head bolts	10	
39	92 75 11 03	Nut, cylinder head bolts	10	
40	90 70 60 90	Seal	8	
41	12 02 18 00	Bolt, short, cylinder head	4	
42	12 02 16 00	Washer, short cylinder head bolt	2	
43	90 70 61 19	Sealing ring	2	
44	12 02 19 00	Nut, short bolt	2	
45	98 62 04 45	Screw, intake tube to cylinder head	6	
46	90 71 60 82	Washer, insulating, intake tube screw	6	
47	95 10 02 23	Washer, air intake tube	6	
48	12 11 50 00	Air intake tube	2	
49	12 11 55 00	Seal, air intake tube	2	

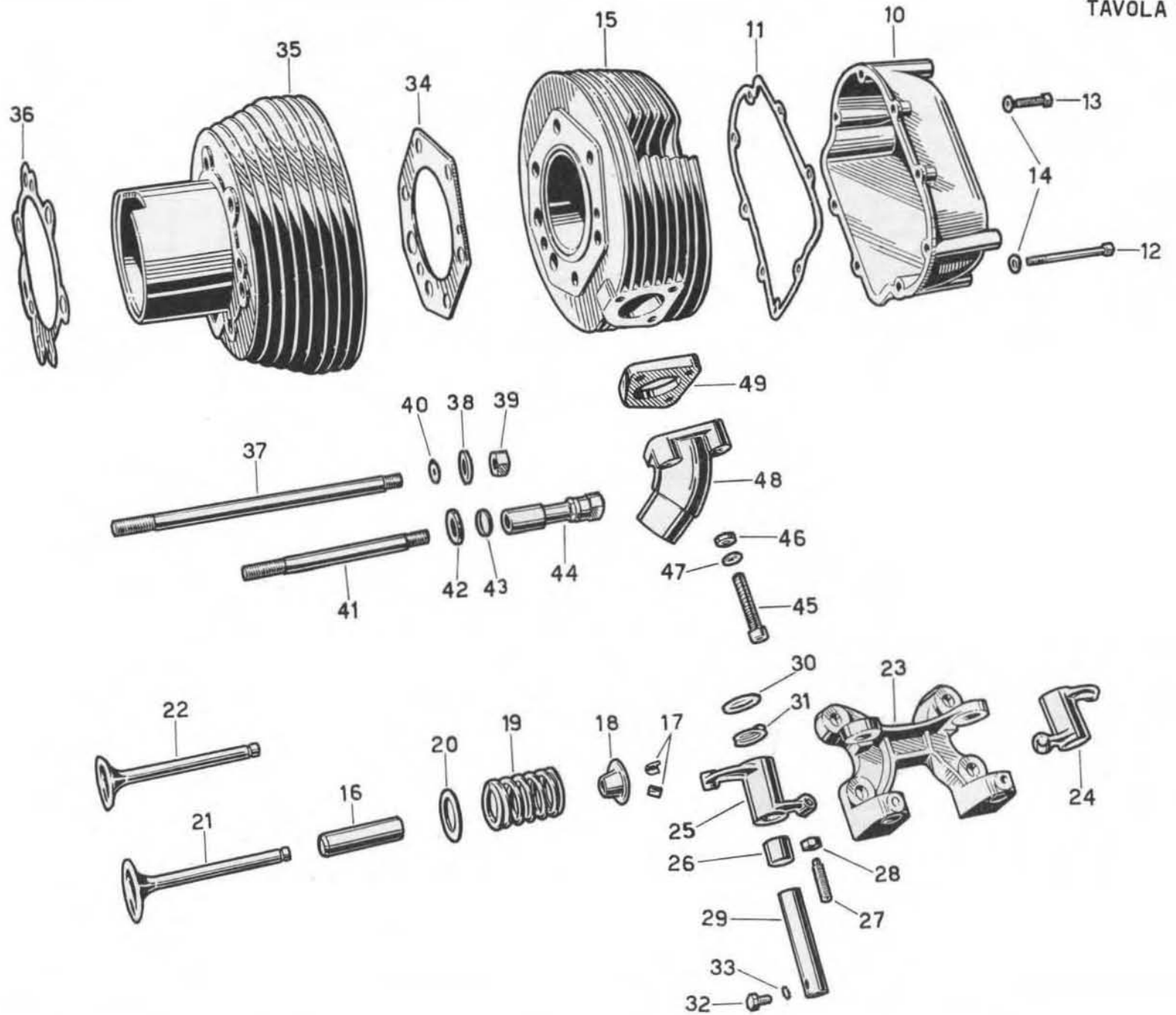


PLATE 2 MODEL: V-7 twin
Engine

GROUP: Crankcase and covers

Fig. No.	Order No.	DESCRIPTION	Quantity	Notes
10	12 00 07 00	Crankcase	1	
11	96 50 80 66	Bolt, short, gear box fixing	4	
12	96 50 80 75	Bolt, medium, gear box fixing	2	
13	96 50 80 80	Bolt, long, gear box fixing	1	
14	95 10 12 31	Washer, gear box bolts and starter bolt	8	
15	92 60 22 08	Nut, gear box fixing bolts	7	
16	12 01 19 00	Flange, c/w crankshaft bushing, timing side	1	
	12 01 19 01	Flange, c/w crankshaft bushing, timing side .2 mm u/s (.0078")		
	12 01 19 02	Flange, c/w crankshaft bushing, timing side .4 mm u/s (.015")		
	12 01 19 03	Flange, c/w crankshaft bushing, timing side .6 mm u/s (.023")		
	12 01 19 04	Flange, c/w crankshaft bushing, timing side .8 mm u/s (.031")		
17	98 05 44 25	Bolt, flange to crankcase and timing cover	14	
18	12 01 21 00	Lock plate, flange and timing cover nuts	2	
19	12 01 29 00	Lock plate, flange securing nuts	1	
20	12 01 14 00	Flange, c/w main bearing, flywheel side	1	
	12 01 14 01	Flange, c/w main bearing, flywheel side .2 mm u/s (.0078")		
	12 01 14 02	Flange, c/w main bearing, flywheel side .4 mm u/s (.015")		
	12 01 14 03	Flange, c/w main bearing, flywheel side .6 mm u/s (.023")		
	12 01 14 04	Flange, c/w main bearing, flywheel side .8 mm u/s (.031")		
21	90 40 53 68	Seal on crankshaft, flywheel side	1	Angus 53.68.10
22	12 01 18 00	Gasket, flange, flywheel side	1	
23	12 01 28 00	Lock plate, flywheel side cover bolt	4	
24	12 00 14 00	Timing cover	1	
25	90 40 38 50	Seal ring timing cover	1	Angus 38.50.7
26	98 10 60 28	Screw, short, timing cover securing	10	
27	98 10 60 43	Screw, long, timing cover and oil sump securing	18	
28	95 10 01 30	Washer, timing cover screws, generator belt cover bolts and oil sump	31	
29	12 00 12 00	Gasket, timing cover	1	
30	12 00 16 20	Cover, belt	1	
31	98 10 60 21	Screw, belt cover	3	
32	12 01 89 00	Locating bush	2	
33	98 05 24 75	Bolt, starter retaining	1	
34	12 00 35 00	Oil sump	1	
35	12 00 36 00	Gasket, oil sump	1	
36	12 00 37 00	Plug, oil drain	1	
37	90 71 41 95	Washer, oil drain and filler plug	2	
38	12 00 49 00	Plug, oil filler	1	
39	12 01 22 00	Pin, main bearing to flange, timing side	1	
40	12 01 17 00	Pin, main bearing to flange, flywheel side	1	

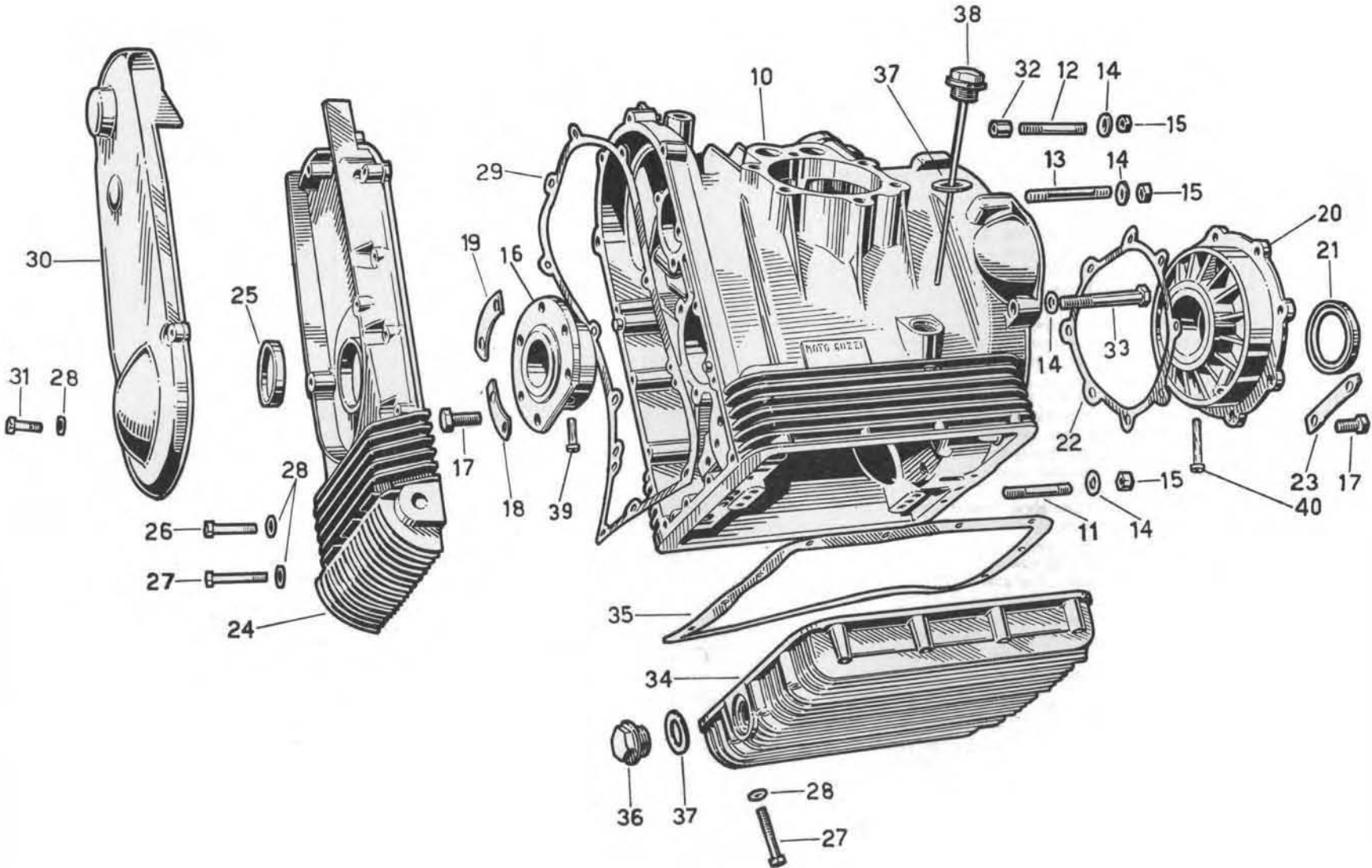


PLATE 3 MODEL: V-7 twin
Engine

GROUP: Crankshaft - connecting rods - Piston -
Timing gear

Fig. No.	Order No.	DESCRIPTION	Quantity	Notes
10	12 06 42 00	Crankshaft	1	
11	12 06 54 00	Plug, crankshaft	1	
12	12 06 15 00	Con-rod, complete	2	
13	91 11 21 24	Bush small end	2	
14	92 75 00 82	Nut, big end bolt	4	
15	12 06 23 00	Lock plate, big end bolt	4	
16	12 06 22 00	Bolt, big end	4	
17	12 06 20 00	Half bearing, big end, standard size	4	
	12 06 20 01	Half bearing, u/s .254 mm (.01")		
	12 06 20 02	Half bearing, u/s .508 mm (.02")		
	12 06 20 03	Half bearing, u/s .762 mm (.03")		
	12 06 20 04	Half bearing, u/s 1.016 mm (.04")		
18	12 06 04 00	Piston, bare	2	
18/1	12 06 02 00	Piston, complete with rings and pin	2	
19	12 06 07 00	Piston ring, top	2	
20	12 06 08 00	Piston ring, center	2	
21	12 06 09 00	Oil scraper	4	
21/1	12 06 06 00	Set complete, piston rings	2	
22	12 06 12 00	Piston pin	2	
23	90 35 10 37	Circlip, piston pin	4	
24	12 07 20 00	Distribution gear	1	
25	91 70 23 55	Woodruff key, timing gear and generator pulley	2	
26	12 07 40 00	Pulley, generator	1	
27	92 70 11 87	Nut, pulley to crankshaft and gear to camshaft	2	
28	95 10 06 76	Washer, pulley and camshaft gear nuts	2	
29	12 06 70 00	Flywheel	1	
30	12 06 76 00	Lock plate, flywheel bolts	3	
31	12 06 77 00	Bolt, flywheel retaining	6	
32	12 06 79 00	Ring gear, starter motor	1	
33	95 02 11 08	Spring washer, ring gear	8	
34	98 05 44 25	Bolt, ring gear to flywheel	8	
35	12 05 33 00	Camshaft	1	
36	12 05 40 00	Flange, camshaft	1	
37	98 10 60 21	Screw, flange to camshaft	3	
38	95 02 11 06	Spring washer, flange bolt to camshaft	1	
39	12 05 45 00	Cam wheel	1	
40	95 51 20 60	Pin, camwheel	1	
41	12 04 58 00	Tappet, valve	4	
	12 04 58 01	Tappet, valve, o/s .05 mm. (.00196")		
	12 04 58 02	Tappet, valve, o/s .10 mm. (.00393")		
42	12 04 50 00	Push rod, rocker complete	4	

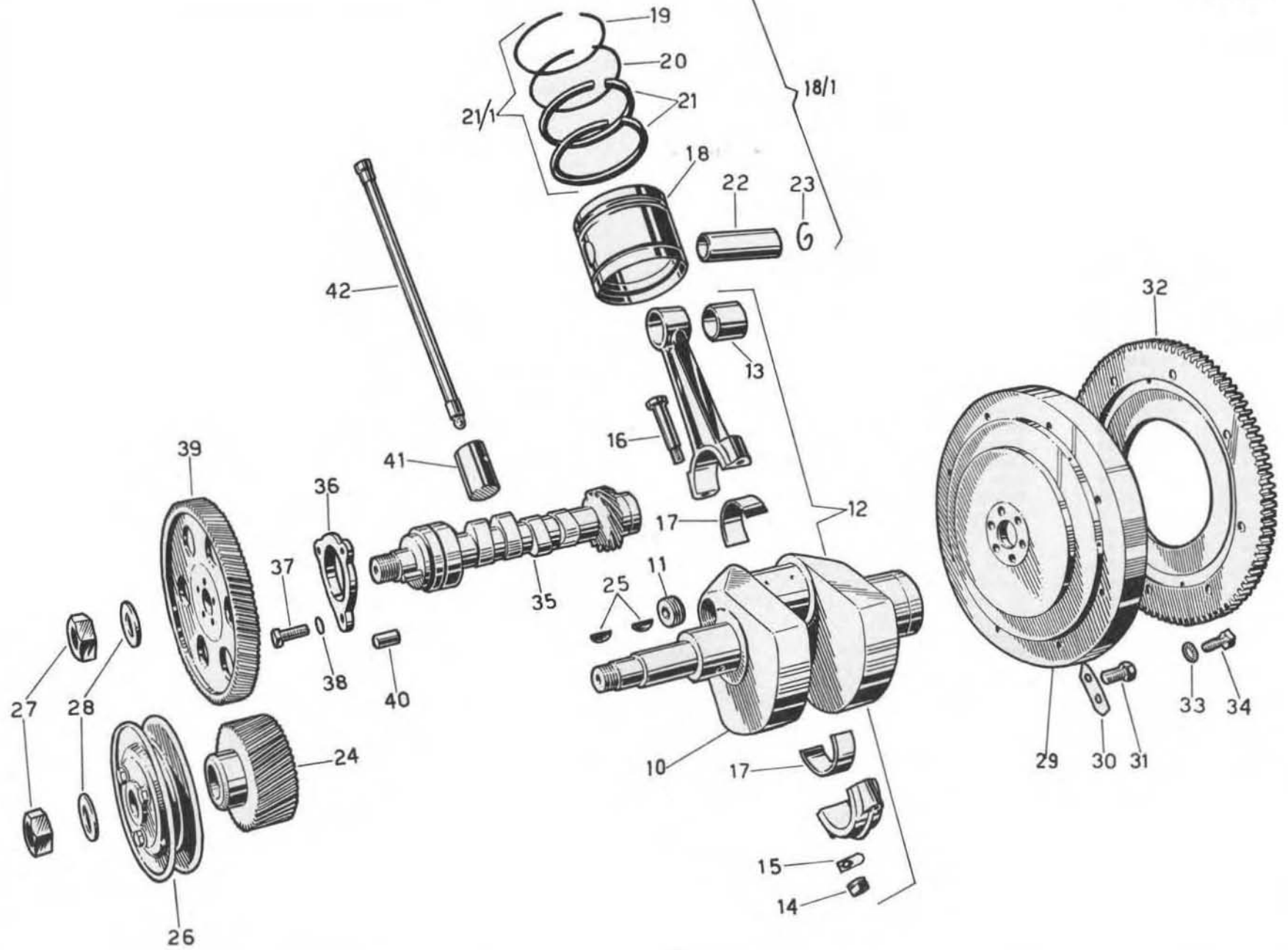


PLATE 4 MODEL: V-7 twin
Engine

GROUP: Oil pump - Oil lines - Filter - Breather
unit - Oil pressure solenoid

Fig. No.	Order No.	DESCRIPTION	Quantity	Notes
10	12 00 72 00	Breather tube	1	
11	12 00 76 00	Washer, breather tube	1	
12	98 10 60 15	Screw, breather tube and return pipe band	3	
13	95 02 11 06	Washer, breather tube and pipe band screws, and plug bottom plate securing bolt	5	
14	12 00 62 00	Tube, oil return from breather box	1	
15	12 00 65 00	Band, oil return, tube retaining	1	
16	12 00 66 00	Hollow bolt, return pipe fixing	1	
17	90 71 41 24	Washer, hollow bolt and oil pressure solenoid	3	
18	12 15 84 00	Oil pipe	1	
19	12 15 91 00	Washer, oil pipe fixing bolts	2	
20	98 05 44 30	Bolt, oil pipe securing	2	
21	12 15 92 00	Lock plate, oil pipe screws	2	
22	12 15 90 00	Plug, relief valve	1	
23	95 10 05 22	Washer	1	
24	12 15 07 00	Bottom plate, in plug	1	
25	94 32 10 70	Spring	1	
26	12 15 09 00	Plunger, oil relief valve	1	
27	12 14 62 00	Oil pump, complete	1	
28	12 14 78 00	Shaft, gear driving	1	
29	12 14 85 00	Gear, driven	1	
30	12 14 77 00	Gear, oil pump, driving	1	
31	91 70 12 32	Key, oil pump gear	1	
32	95 10 12 31	Washer, oil pump gear nut	1	
33	92 70 10 86	Nut, oil pump gear securing	1	
34	98 10 80 42	Screw, short, oil pump securing	2	
35	98 02 24 55	Screw, long, oil pump securing	2	
36	12 14 98 00	Lock plate, oil pump screws	2	
37	12 15 22 00	Oil cleaner, complete	1	
38	12 15 30 00	Wire gauze, oil filter	1	
39	12 15 26 00	Bottom plate	1	
40	98 02 43 10	Bolt, bottom plate retainer	2	
41	12 15 75 00	Line, flexible, for return pipe	1	
42	12 15 32 00	Gasket, filter body	1	
43	95 02 11 08	Spring washer, filter screw	1	
44	98 02 04 35	Screw, filter securing	1	
45	12 15 36 00	Oil delivery pipe, to main bearing	1	
46	90 71 40 82	Gasket, oil pipe	6	
47	95 99 00 35	Screw, oil pipe securing	3	
48	12 76 87 00	Oil pressure solenoid	1	
49	12 15 76 00	Tube, vent	1	
50	12 15 57 00	Oil breather assembly, complete	1	
51	12 15 74 00	Hose, center	1	

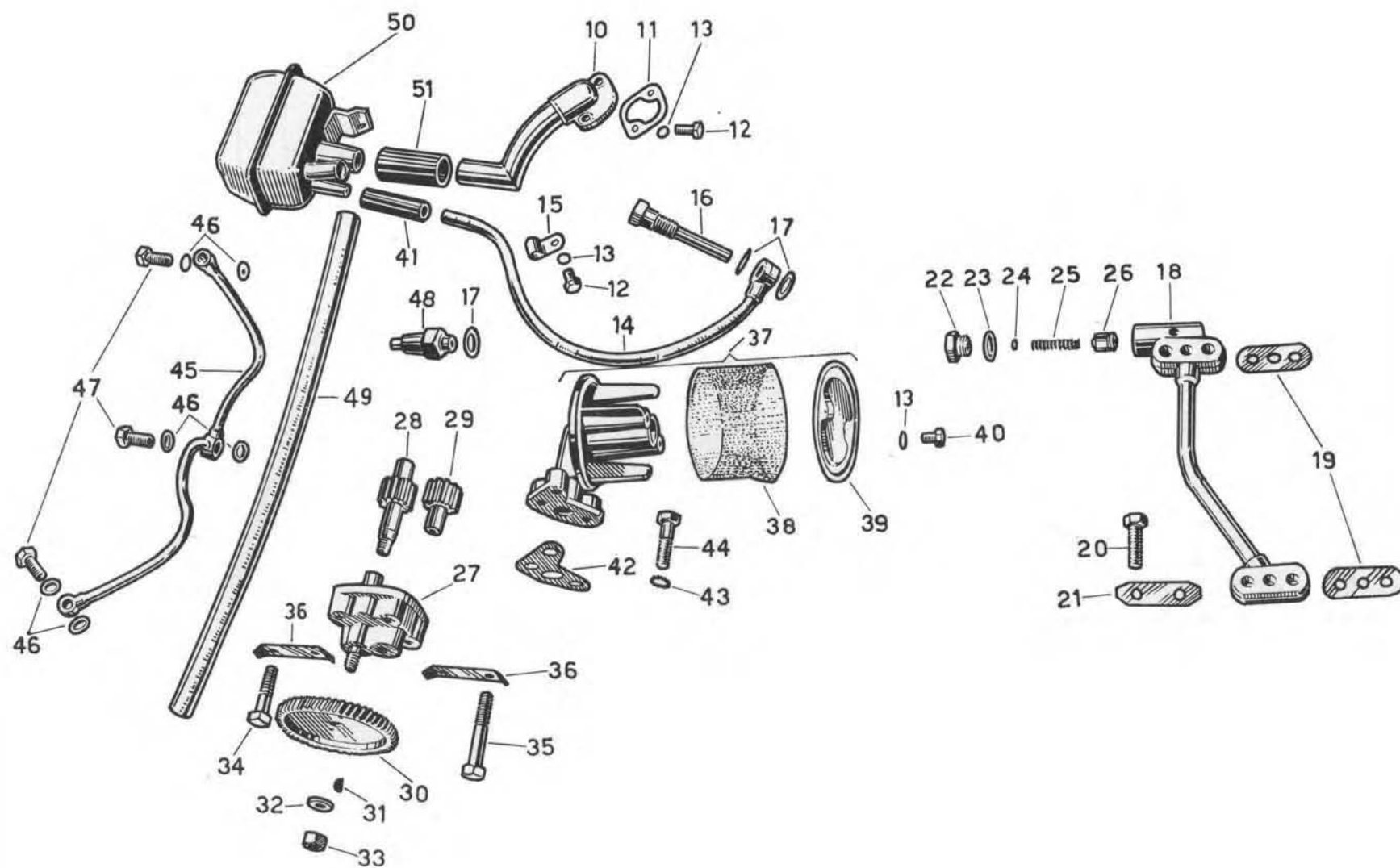


PLATE 5 MODEL: V-7 twin
Engine

GROUP: Fuel tank - Exhaust pipe - Muffler

Fig. No.	Order No.	DESCRIPTION	Quantity	Notes
10	12 10 02 00	Fuel tank	1	} Tebaldi Make
10/1 }	12 91 94 25	Decal, tank, R/H	1	
	12 91 95 25	Decal, tank, L/H	1	
11	55 10 39 00	Filler Cap. complete, Includes:	1	
	55 10 40 00	Cap	1	
	55 10 46 00	Washer, cap	1	
	55 10 47 00	Spring	1	
	55 10 48 00	Cover	1	
	55 10 49 00	Screw	1	
	55 10 50 00	Lever	1	
	99 10 50 83	Screw, tank securing	2	
13	95 10 12 31	Washer	2	
14	55 10 35 25	Bushing	4	
15	55 10 34 25	Buffer, rubber	4	
16	95 10 01 39	Washer, external	2	
17	92 70 00 71	Nut	2	
18	90 71 41 23	Gasket, fuel tap	4	
19	12 10 54 00	Fuel tap	2	
20	12 10 66 00	Adapter, four-ways	1	
21	95 98 57 12	Fuel line, short	2	
22	95 98 57 20	Fuel line, long	2	
23	98 10 60 15	Screw, adapter securing	1	
24	95 02 11 06	Washer, adapter screw	1	
25	12 12 09 00	Exhaust pipe, R/H	1	
26	12 12 09 05	Exhaust pipe, L/H	1	
27	90 71 83 75	Gasket, exhaust pipe	2	
28	12 12 02 00	Lockring, exhaust pipe	2	
29	12 12 39 00	Connecting tube	1	
30	12 12 34 00	Band, complete	2	
31	99 10 50 80	Screw, silencer band to exhaust pipe and tube	4	
32	92 60 22 10	Nut, muffler screws	2	
33	95 02 11 10	Washer, muffler securing screws	2	
34	98 11 00 20	Screw, muffler securing	2	
35	55 12 70 25	Band, connecting tube retaining	2	
36	12 12 30 20	Muffler, R/H	1	
37	12 12 29 20	Muffler, L/H	1	

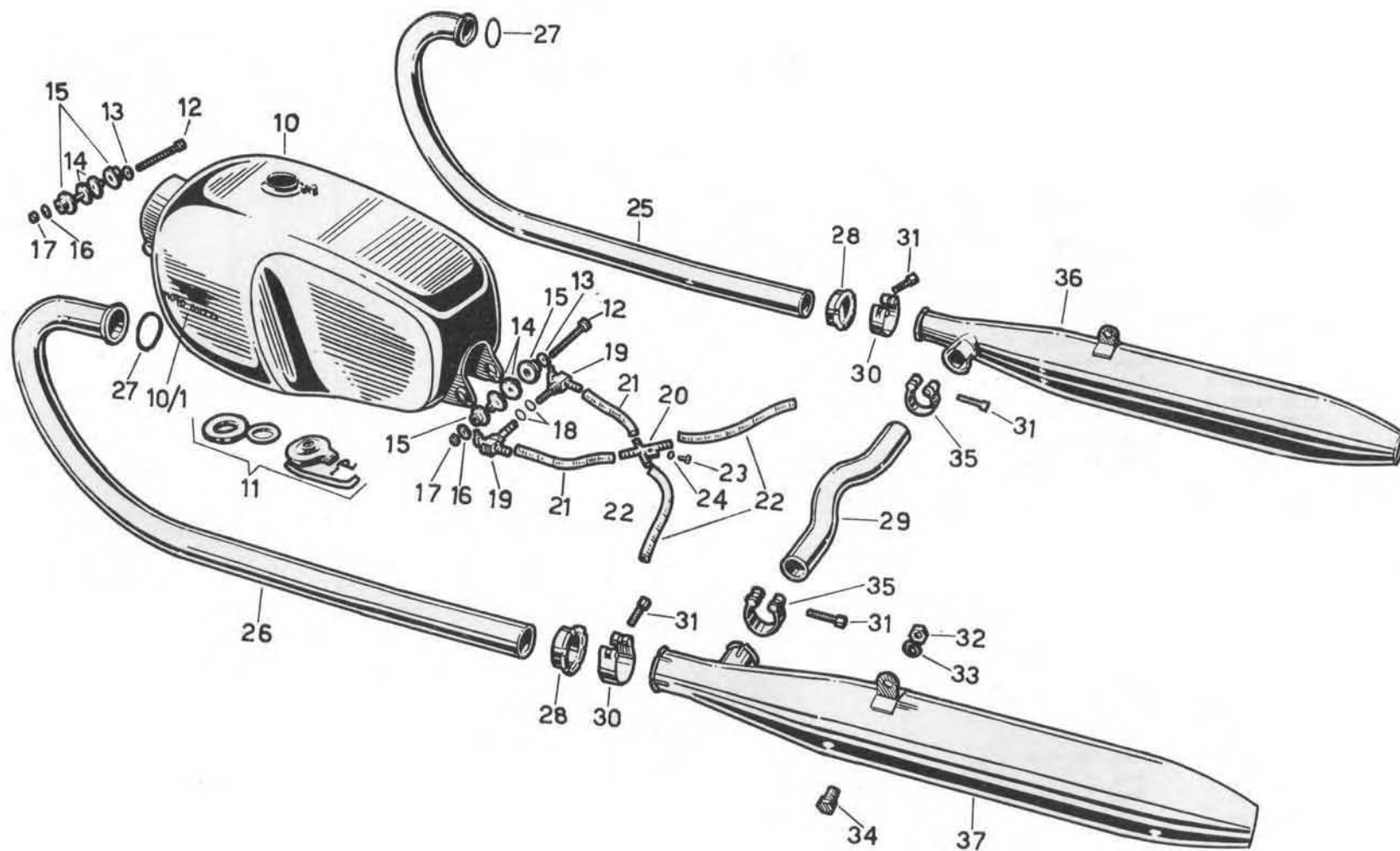


PLATE 6 MODEL: V-7 twin
Engine

GROUP: Carburetor - Control cables - Air cleaner

Fig. No.	Order No.	DESCRIPTION	Quantity	Notes
10	12 11 24 00	Carburetor, R/H	1	9980 (SSI 29 D)
	12 11 24 01	Carburetor, L/H	1	9981 (SSI 29 DS)
11	12 11 44 00	Air intake tube	2	
12	12 60 75 00	Throttle cable, from handlebar to intermediate adapter	1	
13	12 60 79 00	Adapter, two-ways	1	
14	12 80 71 00	Cover, adapter, near end	2	
15	12 80 70 00	Plunger, adapter	2	
16	12 80 72 00	Cover, adapter, far end	2	
17	98 10 80 15	Screw, adapter	1	
18	95 10 12 31	Washer, adapter screw	1	
19	92 60 22 08	Nut, adapter screw	1	
20	95 79 02 32	Thumb screw, cable adjuster	2	
21	92 70 00 71	Locknut, cable adjusting screw	2	
22	12 60 83 00	Cable, air, from handlebar to adapter	1	
23	12 11 70 00	Cable air, from carburetor to adapter	2	
24	12 11 75 00	Cable, throttle, from carburetor to adapter	2	
25	12 93 56 00	Clip, mixing chamber cap	2	1740.00.21 Dell'Orto
26	12 93 53 00	Cap, mixing chamber cover	2	6784.00.60 »
27	12 93 54 00	Screw, throttle slide	2	2388.00.37 »
28	12 93 58 00	Nut, throttle slide screw	2	1576.00.27 »
29	12 93 52 00	Adjuster, cable	2	1122.00.37 »
30	12 93 51 00	Nut, cable adjuster	2	1123.00.27 »
31	12 93 50 00	Cover, mixing chamber	2	6783.00.53 »
32	12 93 71 00	Spring, throttle slide	2	6785.00.61 »
33	55 93 85 85	Needle stop	2	1407.00.21 »
34	12 93 75 00	Throttle slide, c/w taper needle	2	2384.100.64 »
35	12 93 77 00	Taper needle, type M	2	1824.14.08 »
36	12 93 70 00	Choke	2	2412.29.65 »
37	12 93 86 00	Screw, rubber sleeve ring	2	4269.00.36 »
38	12 93 87 00	Ring, rubber sleeve retainer	2	1796.00.50 »
39	12 93 72 00	Cable adjuster	2	1100.00.37 »
40	12 93 73 00	Nut, cable adjuster	2	1127.00.34 »
41	12 93 74 00	Adjusting plug, air valve	2	1127.00.34 »
42	12 93 76 00	Spring, air valve	2	1745.11.61 »
43	12 93 78 00	Air valve	2	1120.00.64 »
44	12 93 79 00	Nipple	2	1747.00.04 »
45	12 93 80 00	Plug, fuel bowl	2	1801.00.34 »
46	12 93 37 00	Plug	2	2387.00.34 »
47	12 93 20 00	Body, float chamber	2	1737.00.96 »
48	12 93 39 00	Gasket	4	1161.00.30 »
49	12 93 31 00	Close plug, float chamber	2	1193.00.34 »
50	12 93 30 00	Float	2	1156.00.80 »
51	12 93 32 00	Float needle	2	1205.00.05 »
52	12 93 21 00	Cover, float chamber c/w tickler	2	2353.00.54 »
53	55 93 25 85	Ring, tickler	2	1493.00.21 »

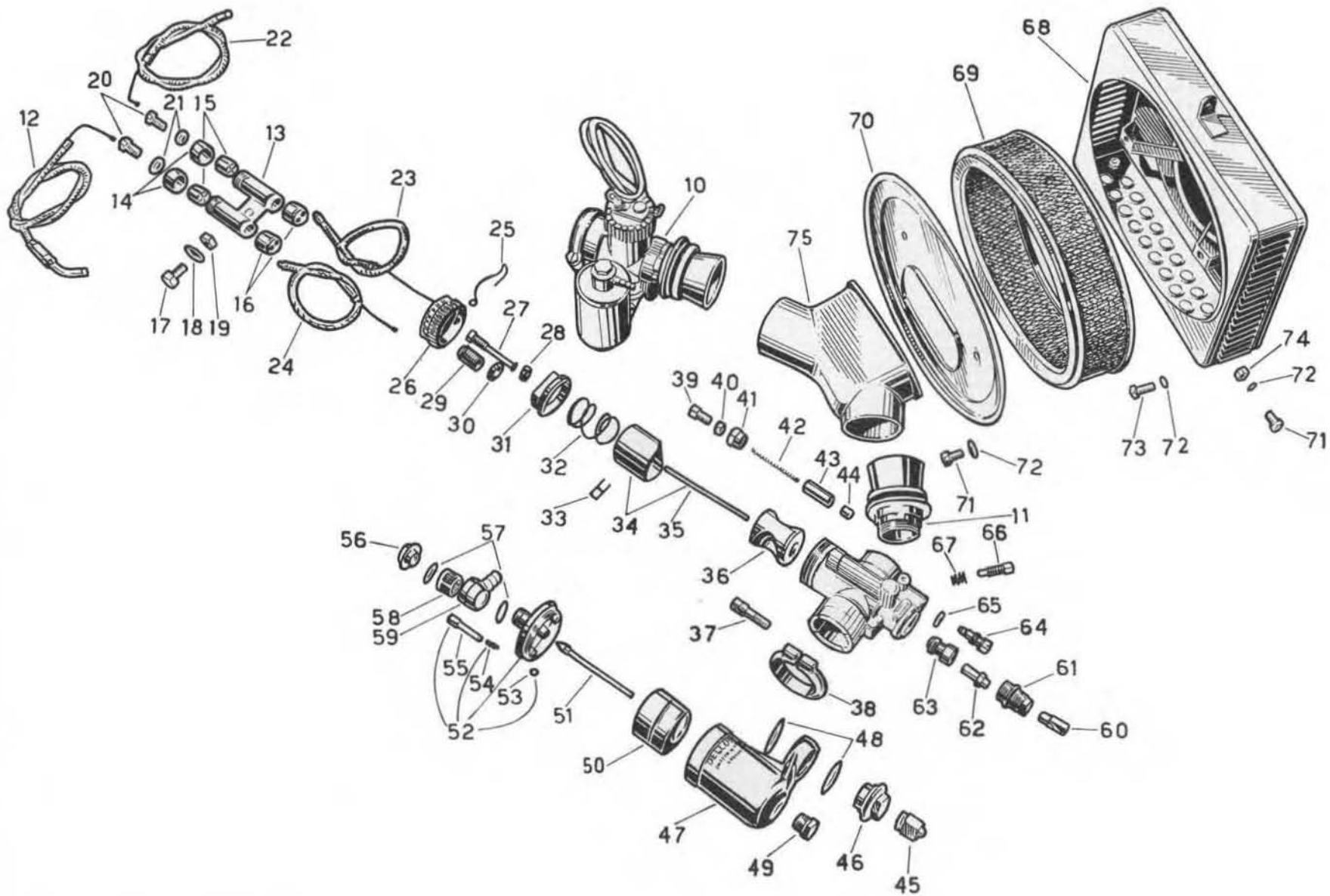


PLATE 6 MODEL: V-7 twin
Engine

GROUP: Carburetor - Control cables - Air cleaner

Fig. No.	Order No.	DESCRIPTION	Quantity	Notes
54	12 93 24 00	Spring, tickler	2	1288.00.61 Dell'Orto
55	12 93 49 00	Tickler	2	6534.00.25 »
56	55 93 49 85	Plug	2	1494.00.34 »
57	55 93 47 85	Washer, plug	4	1416.00.30 »
58	55 93 40 85	Filter	2	1419.00.29 »
59	12 93 46 00	Adapter	2	1564.00.38 »
60	12 93 57 00	Main jet	2	1126.120.02 »
61	12 93 88 00	Jet holder	2	2386.00.32 »
62	12 93 55 00	Atomizer	2	1805.265.28 »
63	12 93 89 00	Atomizer nozzle	2	1795.00.50 »
64	12 93 59 00	Pilot jet	2	1159.55.02 »
65	12 93 60 00	Gasket, pilot jet	2	1158.00.30 »
66	12 93 62 00	Air adjusting screw	2	1101.00.37 »
67	12 93 63 00	Spring, air screw	2	1116.00.61 »
68	12 11 32 00	Box, air cleaner	1	
69	12 11 36 00	Air cleaner element	1	
70	12 11 34 00	Cover, air cleaner box	1	
71	98 02 43 12	Screw, air cleaner box cover and top securing	3	
72	95 02 11 06	Washer, cover screw and cleaner box (top)	5	
73	98 05 43 16	Screw, cleaner box securing (bottom)	2	
74	92 60 22 06	Nut, air cleaner box top screw	1	
75	12 11 43 00	Rubber sleeve, inlet tube to cleaner box	1	

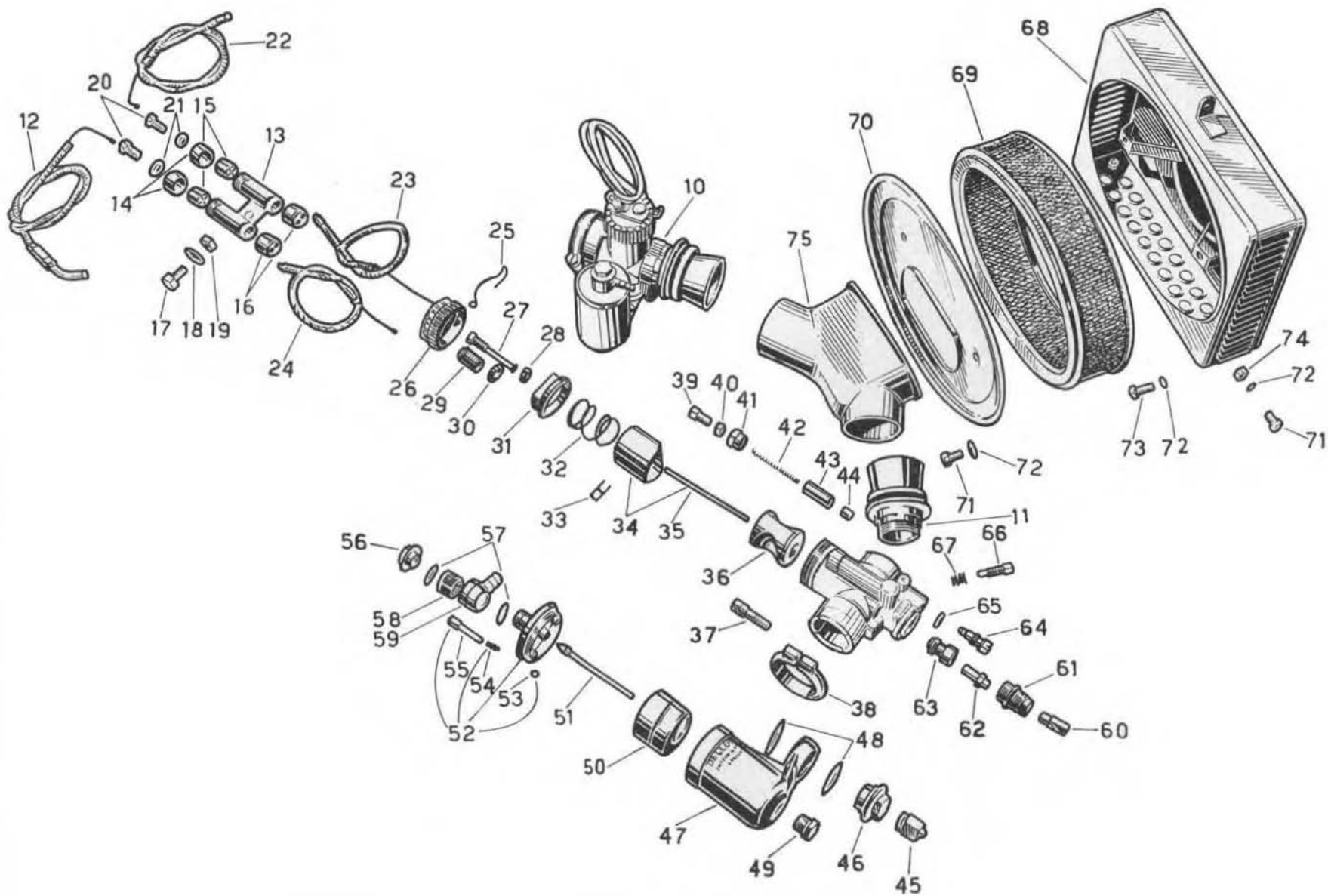


PLATE 7 MODEL: V-7 twin
Primary drive

GROUP: Clutch and controls

Fig. No.	Order No.	DESCRIPTION	Quantity	Notes
10	12 08 41 00	Spring, clutch	8	
11	12 08 29 00	Pressure plate, clutch	1	
12	12 08 44 00	Clutch plate, complete	2	
13	12 08 23 00	Intermediate plate, clutch	1	
14	12 08 28 00	Washer, clutch plate	1	
15	12 08 57 00	Rod, clutch pressure plate	1	
16	12 08 59 00	Felt tube	1	
17	92 29 57 04	Ball, intermediate	1	
18	12 08 60 00	Inner body	1	
19	25 08 70 00	Cage, complete	1	
20	12 08 61 00	Outer body	1	
21	90 70 61 50	Seal	1	
22	12 09 01 00	Lever, clutch operating, on gear box	1	
23	12 09 04 00	Dowel, lever	1	
24	95 78 02 71	Pin, lever securing to gear box	1	
25	95 50 02 22	Cotter pin	1	
26	12 09 30 00	Cable, clutch	1	
27	12 00 65 00	Band, cable	1	
28	95 10 01 37	Washer	1	

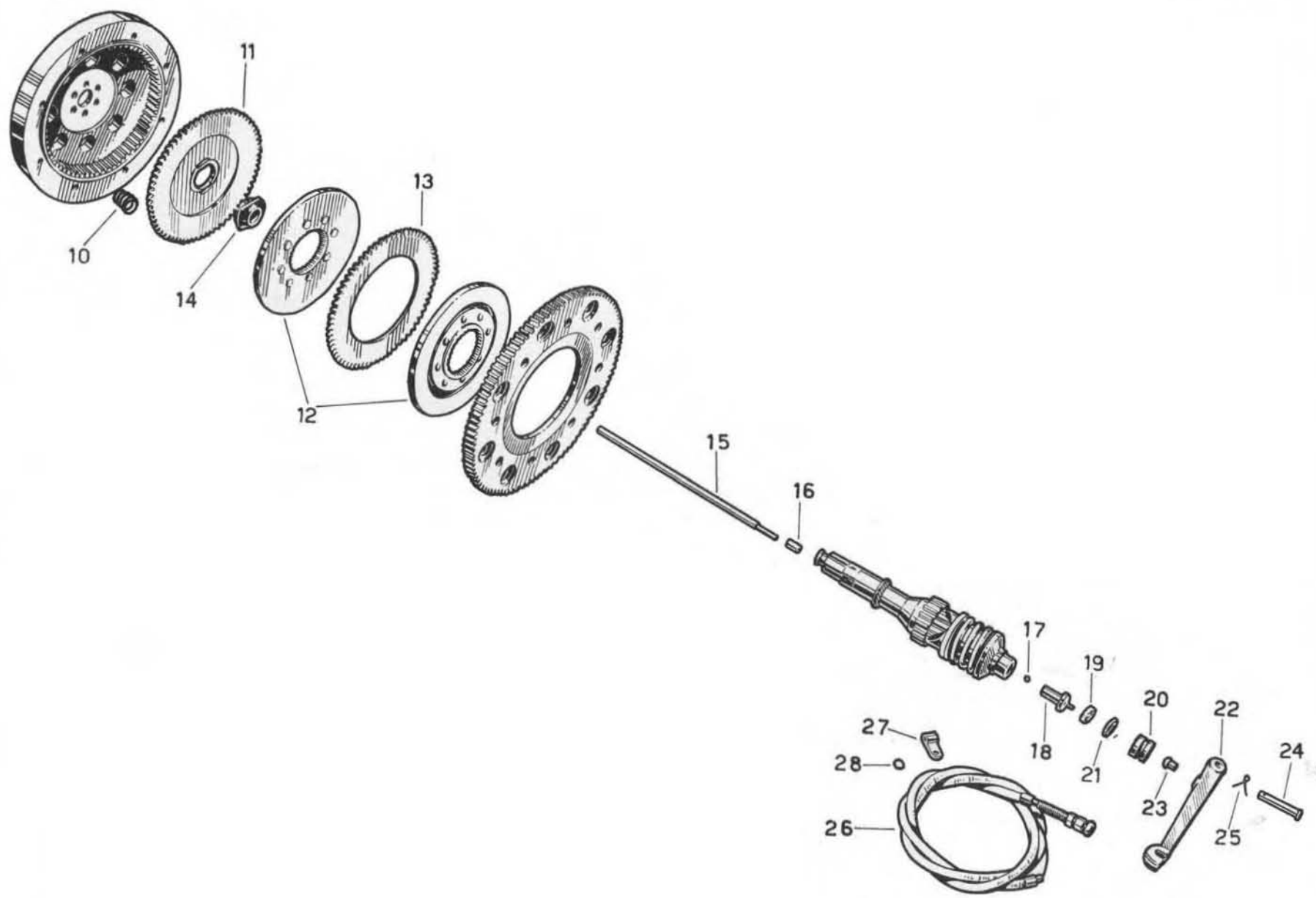


PLATE 8 MODEL: V-7 twin
Primary drive

GROUP: Gear box - Covers

Fig. No.	Order No.	DESCRIPTION	Quantity	Notes
10	12 20 02 00	Gear box	1	
11	12 20 08 00	Cover, gear box	1	
12	92 20 12 25	Bearing, in gear box for main shaft (Ball)	1	25x52x15 RIV 2A
13	92 25 62 17	Bearing, in gear box for clutch shaft (Ball)	1	17x35x15 RIV NAS 17
14	12 20 07 00	Bottom plate, in gear box for layshaft	1	
15	92 20 12 20	Bearing, for layshaft, in gear box cover for main shaft (ball)	2	20x47x14 RIV 1 A20
16	95 51 20 81	Locating pin	2	
17	90 40 25 35	Seal	1	Angus 25.35.7
18	12 20 11 00	Gasket, gear box cover	1	
19	92 20 11 20	Bearing (ball), in gear box cover for clutch shaft	1	20x42x12 RIV ELL 20
20	92 20 12 22	Bearing (ball), in gear box cover for layshaft	1	22x50x14 RIV 1A 22
21	90 40 35 47	Seal, in box cover for layshaft	1	Angus 35x47x7
22	98 10 60 34	Screw, gear box cover fixing	10	
23	95 10 01 30	Washer, gear box cover screws, selector cover, and neutral indicator solenoid	17	
24	12 20 10 00	Band	1	
25	12 20 14 00	Cover, selector	1	
26	12 20 15 00	Gasket, selector cover	1	
27	98 10 60 21	Screw, selector cover, short	4	
28	98 10 60 55	Screw, selector cover, long	1	
29	55 23 78 00	Adjusting screw	1	
30	92 70 01 22	Nut, adjusting screw	1	
31	95 10 14 30	Washer, adjusting screw	1	
32	12 20 72 00	Neutral indicator unit, complete	1	
33	12 20 77 00	Washer, neutral indicator unit	1	
34	92 60 82 05	Nut, indicator securing	2	
35	95 10 00 56	Washer, indicator securing nut	2	
36	98 05 43 16	Screw, indicator body to gear box	2	
37	12 00 37 00	Plug, oil filler	1	
38	90 71 41 95	Washer, oil filler plug	1	
39	95 98 02 10	Plug, level indicator, drain plug, and selector pawl drum	3	
40	90 71 41 01	Washer, oil level, drain plug, and selector pawl drum plugs	3	
41	94 32 10 63	Spring, selector drum pawl	1	
42	55 23 47 00	Pawl, selector drum	1	
43	12 76 16 20	Speedometer, mile calibrated	1	
44	12 76 04 00	Cable, speedometer	1	
45	12 76 25 00	Speedo drive, complete	1	
46	12 76 33 00	Ferrule	1	
47	12 76 61 00	Speedo drive gear, in gear box	1	

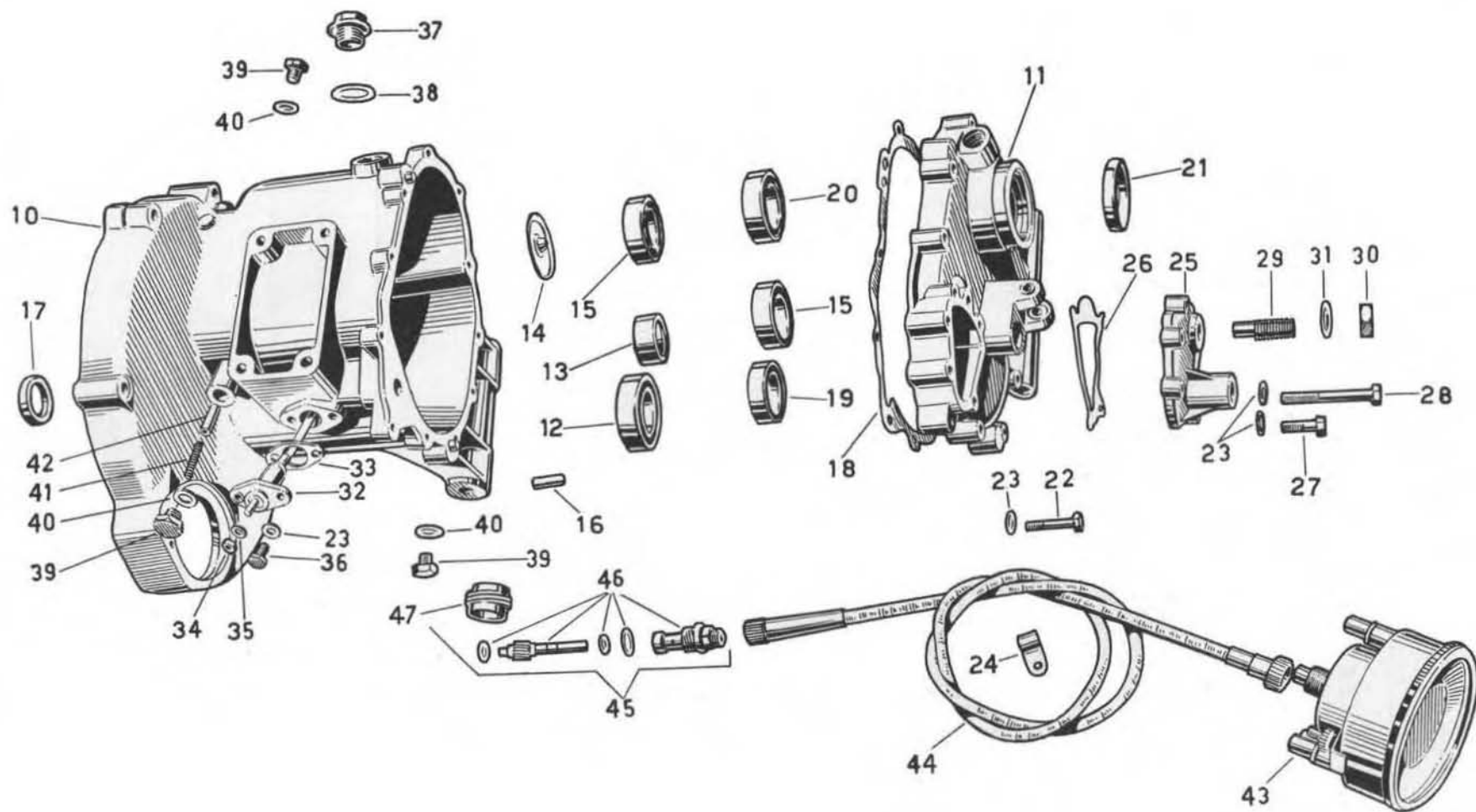


PLATE 9 MODEL: V-7 twin
Primary drive

GROUP: Gear box - Shafts - Controls

Fig. No.	Order No.	DESCRIPTION	Quantity	Notes
10	12 25 09 00	Pedal, gearshift	1	
11	55 25 10'00	Rubber, gearshift pedal	2	
12	98 10 60 22	Screw, gearshift pedal securing	1	
13	12 25 11 00	Shaft, c/w lever	1	
14	95 50 02 22	Cotter pin, gearshift control rod	2	
15	95 12 91 10	Washer, gearshift control rod pins	2	
16	95 78 02 65	Pins, gearshift control rod	2	
17	11 25 19 00	Nut, adjusting, on rod	1	
18	95 74 01 71	Fork, on gearshift rod	2	
19	12 25 79 00	Rod, gearshift	1	
20	12 25 78 00	Rod, c/w fork	1	
21	98 10 60 21	Screw, gearshift to crankcase	1	
22	12 25 82 00	Lever, gearshift operating	1	
23	12 23 68 00	Starter pin	1	
24	55 23 82 00	Spring, starter pin return	1	
25	12 23 85 00	Camplate, gear control	1	
26	12 23 44 00	Drum, gear selector	1	
27	55 23 64 00	Body, inner, selector	1	
28	55 23 79 00	Plunger, selector	2	
29	26 26 72 00	Pawl, selector plunger	2	
30	94 32 10 49	Spring, selector plunger	2	
31	12 23 43 00	Rod, selector drum	1	
32	95 10 02 22	Washer, adjusting	1	
33	12 20 20 00	Oil pick up plate	1	
34	12 23 24 00	Shaft, fork	1	
35	12 23 05 00	Fork, gear selector	2	
36	12 21 05 00	Main shaft, gear box	1	
37	90 11 82 45	Washer, thrust	1	
38	12 21 36 00	Layshaft	1	
39	93 60 10 22	Lock ring, layshaft gear	1	
40	95 02 80 22	Tab washer, lockring	1	
41	12 21 55 00	Spacer	1	
42	12 21 43 00	Washer, adjusting, layshaft	1	
43	12 21 40 00	Gear, 1st speed, c/w bushing	1	
44	91 12 27 20	Bushing, 1st speed gear	1	
45	90 27 10 27	Circlip, gear retaining on shaft	2	Seeger 27 e
46	12 23 07 00	Sleeve, sliding, 1st and 2nd speed	1	
47	12 21 44 00	Gear, 2nd speed, cw bushing	1	
48	91 12 27 16	Bushing, 2nd and 3rd speed gear	2	
49	12 21 47 00	Gear, 3rd speed gear, with bush	1	
50	12 23 15 00	Sleeve, sliding, 3rd and 4th speed	1	
51	12 21 51 00	Gear, 4th speed	1	
52	12 21 53 00	Floating bush, 4th speed gear	1	
53	12 21 07 00	Shaft, clutch	1	
54	90 27 10 23	Circlip, inner clutch body retaining	1	Seeger 23 e
55	12 08 18 00	Inner body, clutch	1	
56	12 21 17 00	Semi collar, cush drive plate	2	
57	12 21 16 00	Plate, cush spring	1	
58	12 21 15 00	Spring, cush drive	1	
59	12 21 12 00	Sliding muff	1	
60	12 21 11 00	Driving gear, clutch shaft to mainshaft	1	

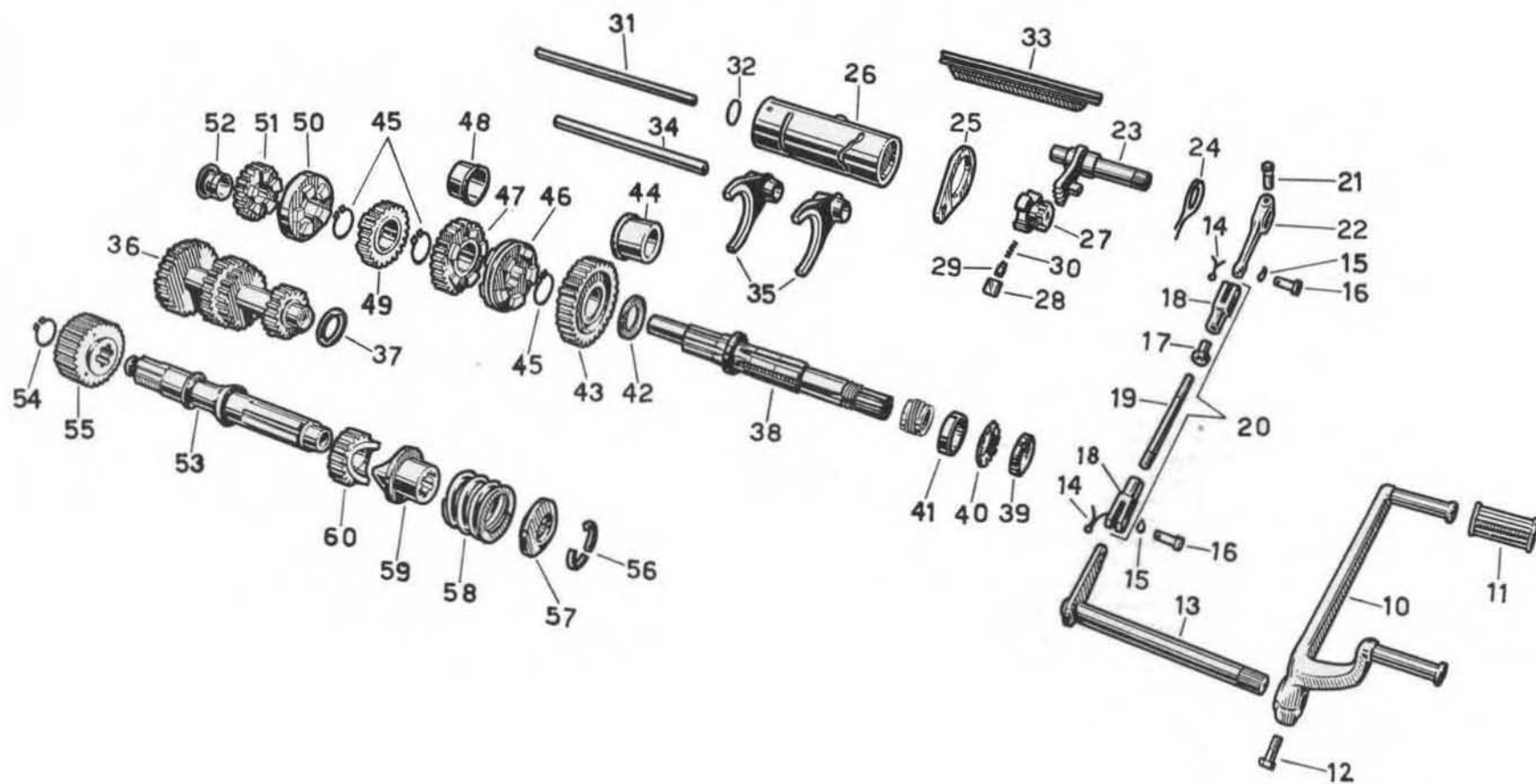


PLATE 10 MODEL: V-7 twin
Rear wheel drive

GROUP: Rear Fork - Rear drive box - Drive shaft
and bevel gears

Fig. No.	Order No.	DESCRIPTION	Quantity	Notes
10	12 54 02 00	Rear fork	1	
11	98 02 05 35	Screw, clamp	1	
12	95 10 03 31	Washer, clamp screw	1	
13	12 54 78 00	Cap nut, rear fork to frame	2	
14	92 72 02 00	Nut, fork spindle	2	
15	12 54 72 00	Spacer	2	
16	12 54 70 00	Spindle, rear fork support	2	
17	90 40 30 40	Seal, rear fork support spindle	2	
18	92 24 92 16	Bearing, taper roller	2	Angus 30x40x7 17x40x12 RIV 01/02 5010
19	98 05 44 30	Screw, rear wheel drive box securing	4	
20	95 02 11 08	Washer, drive box screws	4	
21	12 35 02 00	Rear wheel drive box, complete	1	
22	12 54 80 00	Rubber gaiters	1	
23	12 54 82 00	Band, large, gaiters to drive box	1	
24	12 54 84 00	Band, small, gaiters to gear box	1	
25	12 32 80 00	Double joint, for layshaft and drive shaft	2	
26	12 32 63 00	Drive shaft	1	
27	12 32 77 00	Sleeve, drive shaft and bevel drive	1	
28	90 27 10 20	Seal, drive shaft and bevel gears	3	
29	90 27 20 58	Circlip	1	Seeger 20 e 58 i
30	92 20 42 28	Ball bearing, rear fork	1	28x58x16 RIV ALN 28
31	12 35 03 00	Drive box	1	
32	12 00 37 00	Oil filler cap, drive box	1	
33	90 71 41 95	Gasket, oil filler cap	1	
34	95 98 02 10	Plug, oil level and drain	2	
35	90 71 41 01	Gasket, oil level and drain plug	2	
36	93 60 10 26	Lockring, bevel gear securing	1	SKF-KM5
37	95 02 80 25	Safety washer, lockring	1	SKF-MB5
38	92 24 92 25	Bearing, taper roller	2	25x52x16.25 RIV 01/02/7205
39	12 35 24 00	Housing, for bearing	1	
40	12 35 26 00	Gasket, housing-drive box	1	
41	12 35 29 00	Gasket, housing-rear fork	1	
42	12 35 51 00	Distance piece for bearing	1	
43	12 35 52 00	Shim, distance piece-bearing (.1 mm. ea = .0039")	1 to 17	
		Shim, spacer-bevel gear (.1 mm ea. = .0039")	1 to 14	
44	12 35 53 00	Distance piece, bevel gear	1	
45	12 35 46 00	Bevel gear set	1	
46	98 05 44 25	Bolt, flange fixing to drive case	8	
47	12 35 21 00	Lock plate, flange bolts	4	
48	12 35 04 00	Flange, drive case	1	
49	12 35 07 00	Gasket, flange-spacer and spacer drive box	2	
50	12 35 54 00	Shim	1	
51	90 40 70 85	Seal	1	Angus 70.85:8
52	12 35 63 00	Bolt, bevel set securing	8	
53	12 35 64 00	Lock plate, bevel gear bolts	4	
54	92 20 10 70	Ball bearing	1	70x110x13 RIV ELN 70
55	12 35 14 00	Journal bearing	1	
56	92 25 43 40	Roller bearing	1	Durkopp NAF 40x55x17
57	12 35 11 00	Cage, retaining ring	1	
58	90 40 38 50	Seal	1	Angus 38.50:7
59	12 35 13 00	Stop plate, bearing	1	
60	98 28 06 14	Screw, bearing stop plate	1	

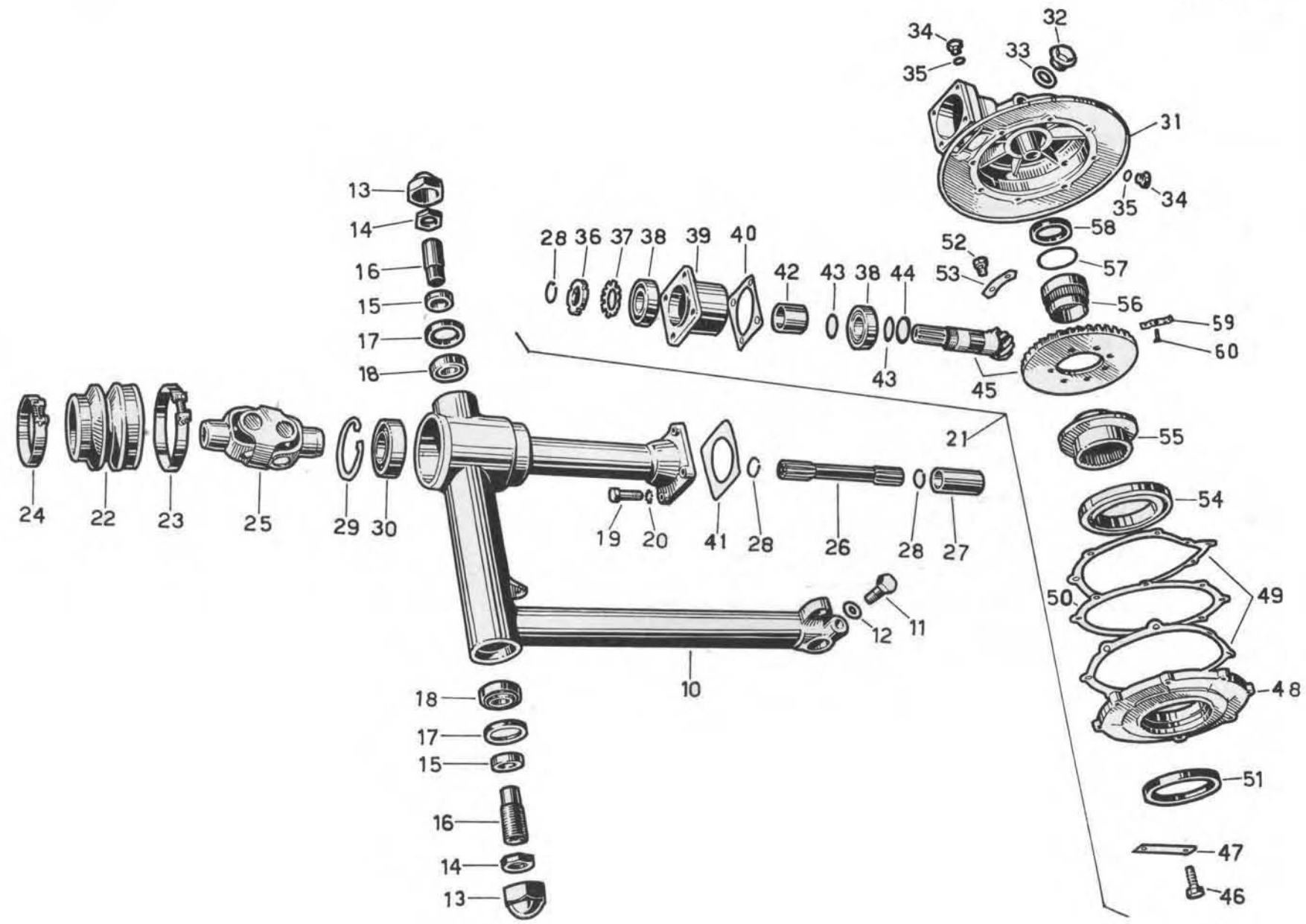


PLATE 11 MODEL: V-7 twin
Frame

GROUP: Frame - Center stand - Side stand - Footrest pivot - Pillion footrest - Rear fender

Fig. No.	Order No.	DESCRIPTION	Quantity	Notes
10	12 40 01 00	Frame	1	
11	92 60 23 12	Nut, engine to frame bolts	2	
12	95 10 04 15	Washer, engine to frame bolt	2	
13	12 42 97 00	Spacer, front	2	
14	12 42 98 00	Spacer, rear	2	
15	12 42 96 00	Bolt, engine to frame	2	
16	12 41 82 00	Plate, battery support	1	
17	98 02 44 12	Screw, front plate, battery plate, crashbar to frame	6	
18	98 10 80 17	Screw, rear plate and battery plate	2	
19	95 10 12 31	Washer, front and rear battery plate screws	4	
20	98 11 00 15	Screw, plate fixing to frame	2	
21	95 10 03 11	Washer, front plate, center stand, and side stand bolt	5	
22	12 43 03 00	Center stand	1	
23	92 63 01 10	Nut, center and side stand fixing bolts	3	
24	40 91 78 00	Decal, rear fender	1	
25	99 10 51 34	Bolt, center stand	2	
26	12 43 40 00	Spring, center and side stand return	2	
27	12 43 30 00	Buffer, rubber, center and side stand	2	
28	12 43 20 00	Side stand	1	
29	12 43 28 00	Bolt, side stand	1	
30	92 60 22 08	Nut, spring securing dowel	1	
31	95 10 02 25	Washer, spring dowel	1	
32	12 43 42 00	Peg, spring retaining	1	
33	95 10 04 83	Washer, inner, damper securing pin	4	
34	12 44 02 00	Pivot arm, footrest	2	
35	12 44 32 00	Rubber, footrest	2	
36	92 60 22 10	Nut, pillion footrest, front seat bolt, bottom handgrip, and shock absorbers	7	
37	95 02 11 10	Washer, pillion footrest nut, front seat bolt, and handgrip	6	
38	95 10 03 37	Washer, plain, pillion footrests and bottom shock absorbers fixing spindle	4	
39	12 44 23 00	Footrest, pillion	2	
40	12 45 03 00	Crashbar, R/H	1	
41	12 45 04 00	Crashbar, L/H	1	
42	12 55 02 00	Rear shock absorbers	2	
43	12 55 23 00	Spring, rear shock absorbers	2	
44	12 47 60 00	Tool box	2	
45	12 47 85 00	Thumb screw	2	
46	12 47 86 00	Washer	2	
47	98 10 60 17	Screw, long, tool box securing	2	
48	98 02 43 12	Screw, short, tool box securing	4	
49	95 10 01 30	Washer, tool box screws	12	
50	92 60 22 06	Nut, tool box screws	6	
51	12 46 05 00	Seat, dual	1	
52	12 46 16 00	Buffer, dual seat	3	
53	98 11 00 67	Bolt, front seat securing	1	
54	55 55 16 00	Bushing, flexible, rear dampers	4	

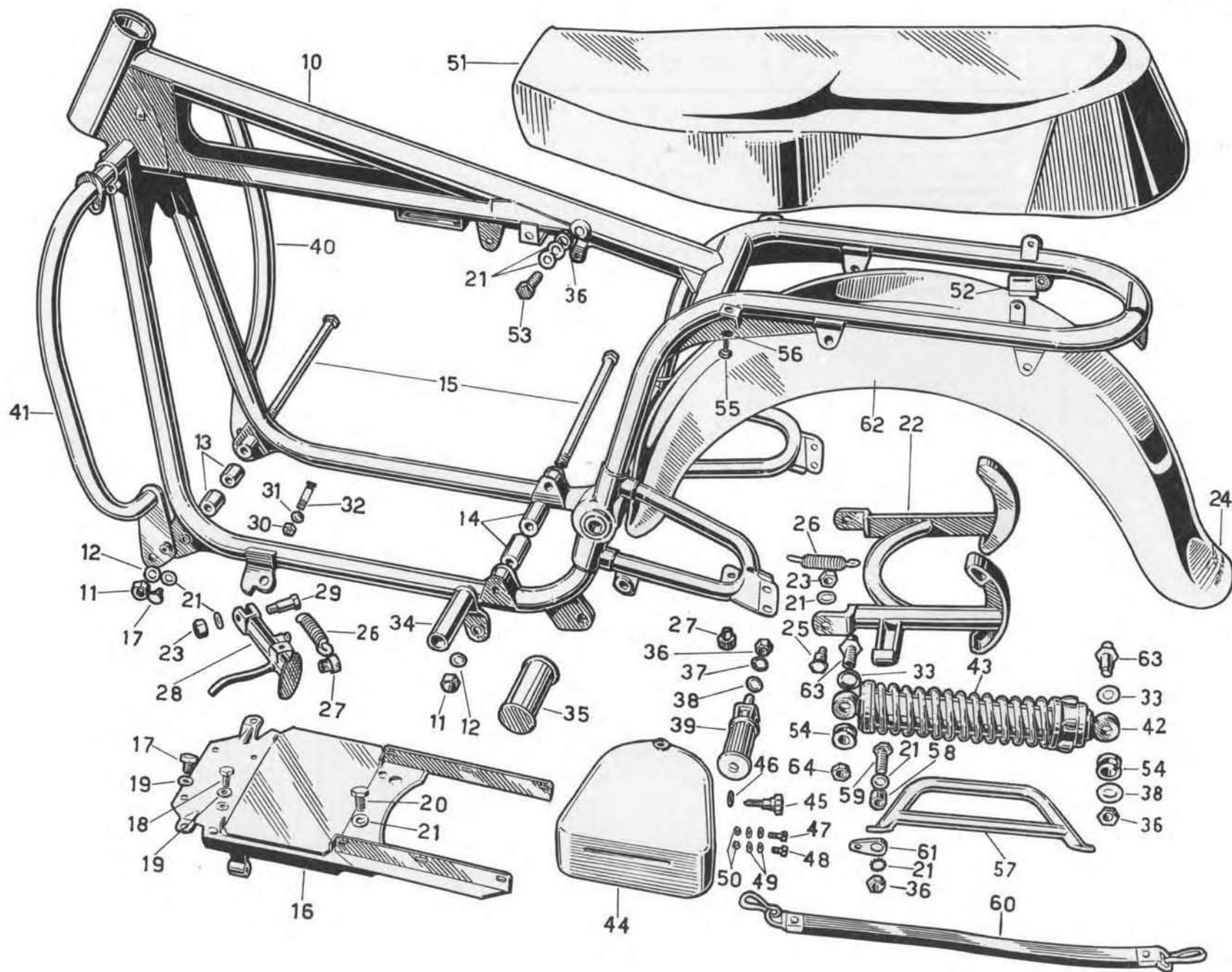


PLATE 11 MODEL: V-7 twin
Frame

GROUP: **Frame - Center stand - Side stand - Footrest pivot - Pillion footrest - Rear fender**

Fig. No	Order No.	DESCRIPTION	Quantity	Notes
55	98 10 80 16	Screw, rear seat securing	2	
56	95 02 11 08	Washer, rear seat securing screws and crashbars	6	
57	12 46 43 20	Hand grip, for raising machine on stand	2	
58	91 18 10 15	Distance piece, handgrip	2	
59	98 02 05 35	Bolt, handgrip to seat	2	
60	12 46 85 00	Hand grip, second passenger	1	
61	12 46 86 00	Lug, pillion handgrip	2	
62	12 43 70 00	Rear fender	1	
63	12 55 52 00	Boss, damper attachment	4	
64	92 75 01 02	Nut, top, damper securing	2	

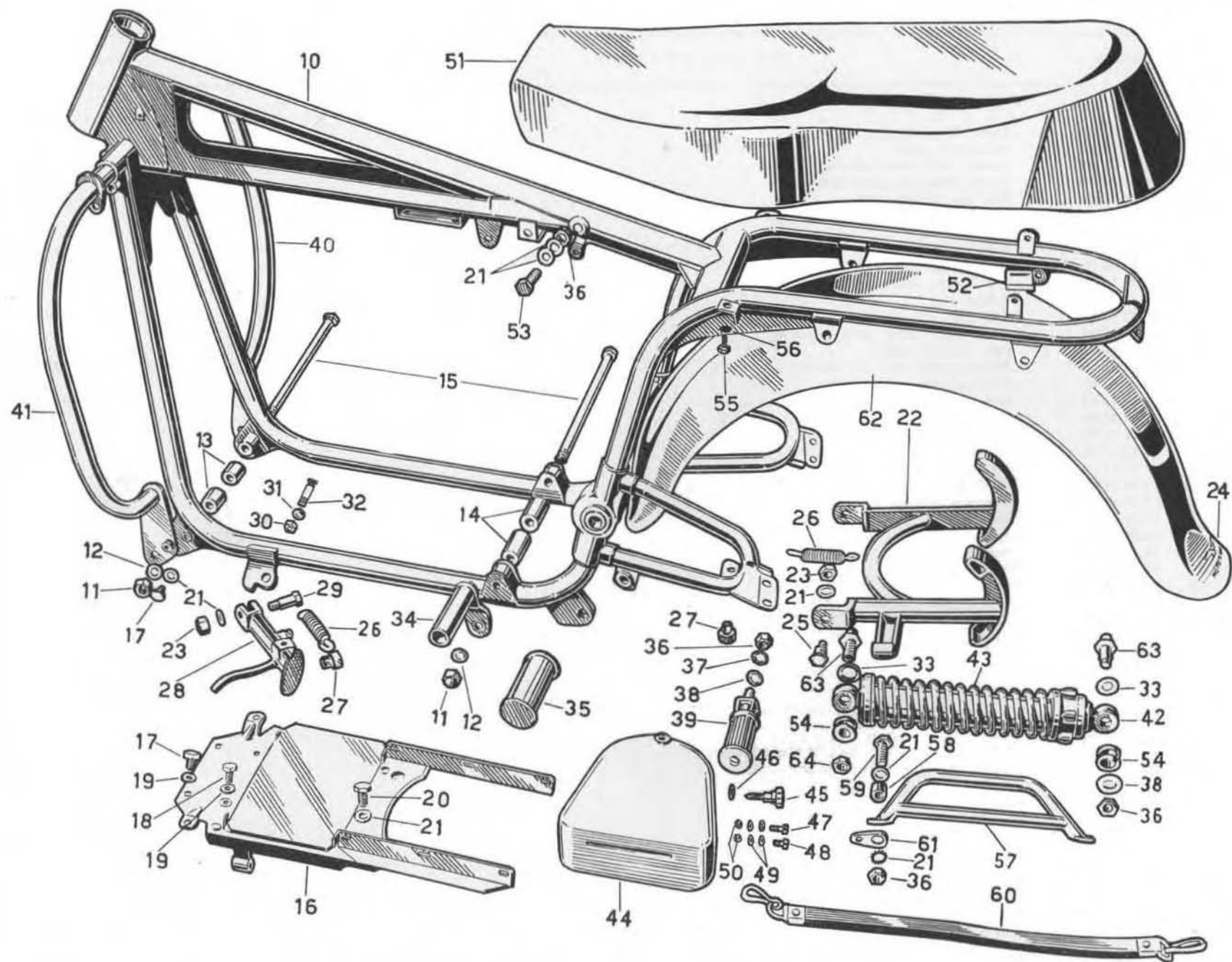


PLATE 12 MODEL: V-7 twin

GROUP: Steering - Front Fork - Front fender

Front suspension - steering

Fig. No.	Order No.	DESCRIPTION	Quantity	Notes
10	12 49 02 20	Front fork, complete	1	
11	12 50 15 00	Instrument panel	1	
12	98 62 03 25	Screw, short, panel securing	2	
13	98 62 03 30	Screw, long, rear panel securing	2	
14	92 70 11 48	Nut, top linking plate	1	
15	95 10 05 21	Washer, linking plate nut	1	
16	12 50 45 00	Plug, fork top	2	
17	90 70 62 22	Seal, top fork plug	2	
18	12 50 46 00	Washer, top fork plug	2	
19	12 49 30 00	Top linking plate	1	
20	12 49 27 00	Rubber ring	2	
21	12 49 23 00	Cap, headlight bracket	2	
22	93 60 10 26	Lock ring, bottom yoke, adjusting	2	SKF-KM5
23	12 49 45 00	Cap, steering tube	1	
24	92 24 92 25	Bearing, taper roller, for steering	2	22x52x16.25 RIV 01/02/7205
25	12 49 41 00	Steering tube, bottom yoke	1	
26	92 70 12 52	Nut, steering tube to bottom yoke	1	
27	12 49 42 00	Bottom yoke	1	
28	98 05 36 75	Bolt, handlebar clamp to yoke	2	
29	95 10 14 30	Washer, handlebar clamp bolts to yoke	4	
30	92 70 01 24	Nut, clamp bolt to yoke	2	
31	12 49 61 20	Headlight bracket, R/H	1	
32	12 49 62 20	Headlight bracket, L/H	1	
33	12 52 76 00	Bottom plate, headlight bracket	2	
34	12 52 66 00	Spring, fork	2	
35	12 52 77 00	Housing, spring	2	
36	90 40 35 50	Rubber ring	2	
37	12 52 54 00	Fork rod	2	
38	12 52 59 00	Lock ring, bottom link bush	2	
39	12 52 58 00	Bottom bushing, fork link	2	
40	12 52 25 00	Cover, R/H fork, bottom	1	
41	12 52 26 00	Cover, LH fork, bottom	1	
42	90 70 64 90	Gasket, fork cover	2	
43	90 35 30 46	Circlip, fork cover	2	
44	12 52 72 00	Washer, adjusting, fork covers (2 mm. - .078")	2	{ 12.52.7201 - .082" 12.52.7302 - .086"
45	12 52 67 00	Bush, top, fork cover	2	
46	98 11 00 36	Bolt, handlebar clamp on L/H hlight bracket	1	
47	95 10 03 31	Washer, L/H headlight clamp bolt	1	
48	98 30 50 09	Screw, oil drain from forks	2	
49	90 71 40 51	Washer, oil drain screw	2	
50	12 43 43 00	Front fender	1	
51	40 91 78 00	Decal, for front fender	1	
52	12 43 57 00	Stay, top, front fender	1	
53	12 43 59 00	Stay, bottom, front fender	1	
54	98 02 43 12	Screw, stay securing and center plate	8	

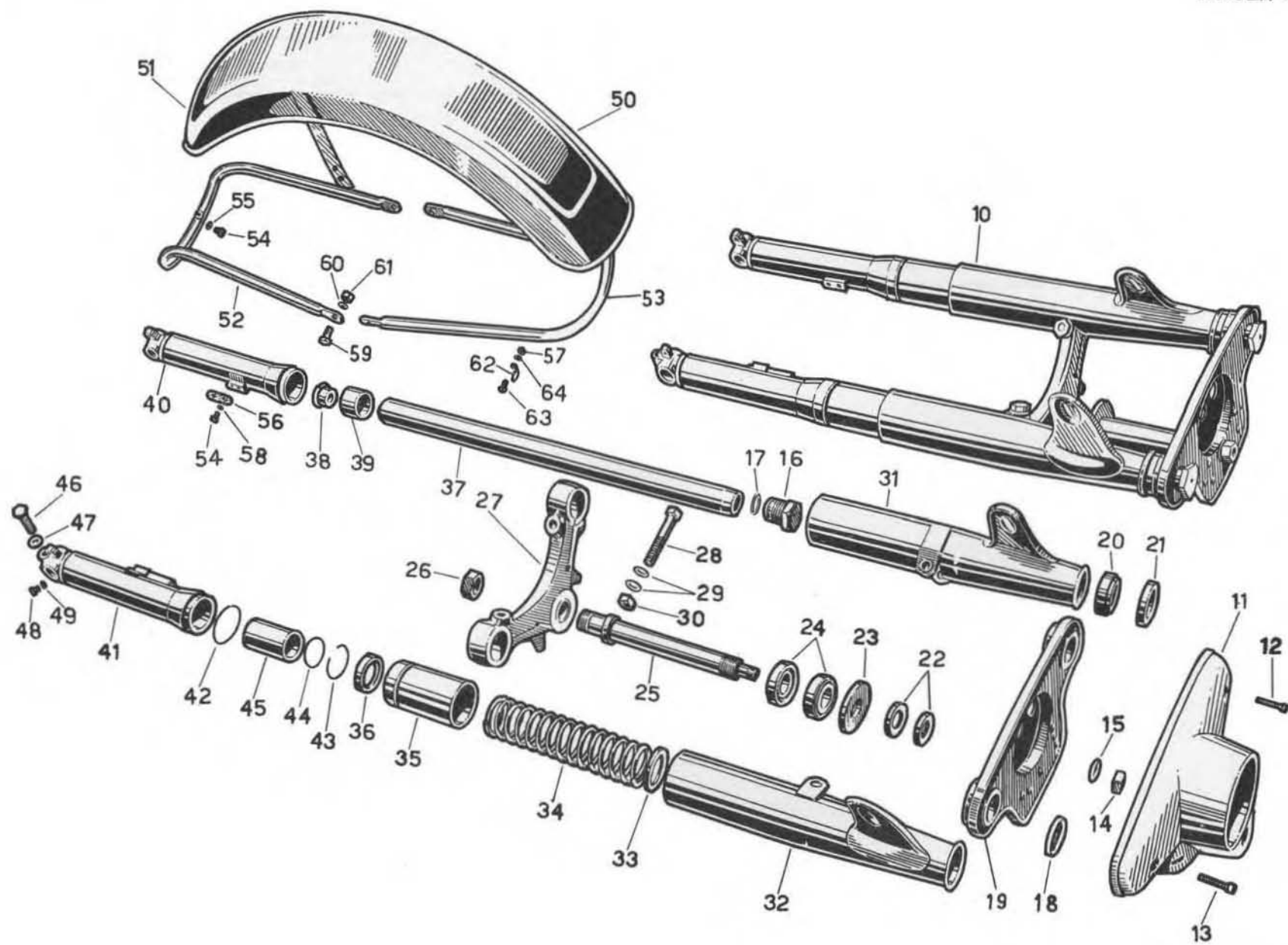


PLATE 12 MODEL: V-7 twin
Front suspension - steering

GROUP: **Steering - Front Fork - Front fender**

Fig. No.	Order No.	DESCRIPTION	Quantity	Notes
55	95 10 01 21	Washer, stay screws	4	
56	55 43 48 25	Plate, central attachment	2	
57	92 60 24 06	Nut, grommet fixing screw	1	
58	95 10 01 30	Washer, center fixing plate screws	4	
59	98 02 44 22	Screw, front fender to fork	4	
60	95 02 11 08	Washer, front fender to fork screws	4	
61	92 60 22 08	Nut, front fender to fork screws	4	
62	55 43 65 00	Grommet, cable guide	1	
63	98 34 60 10	Screw, grommet securing	1	
64	95 02 11 06	Washer, grommet screw	1	

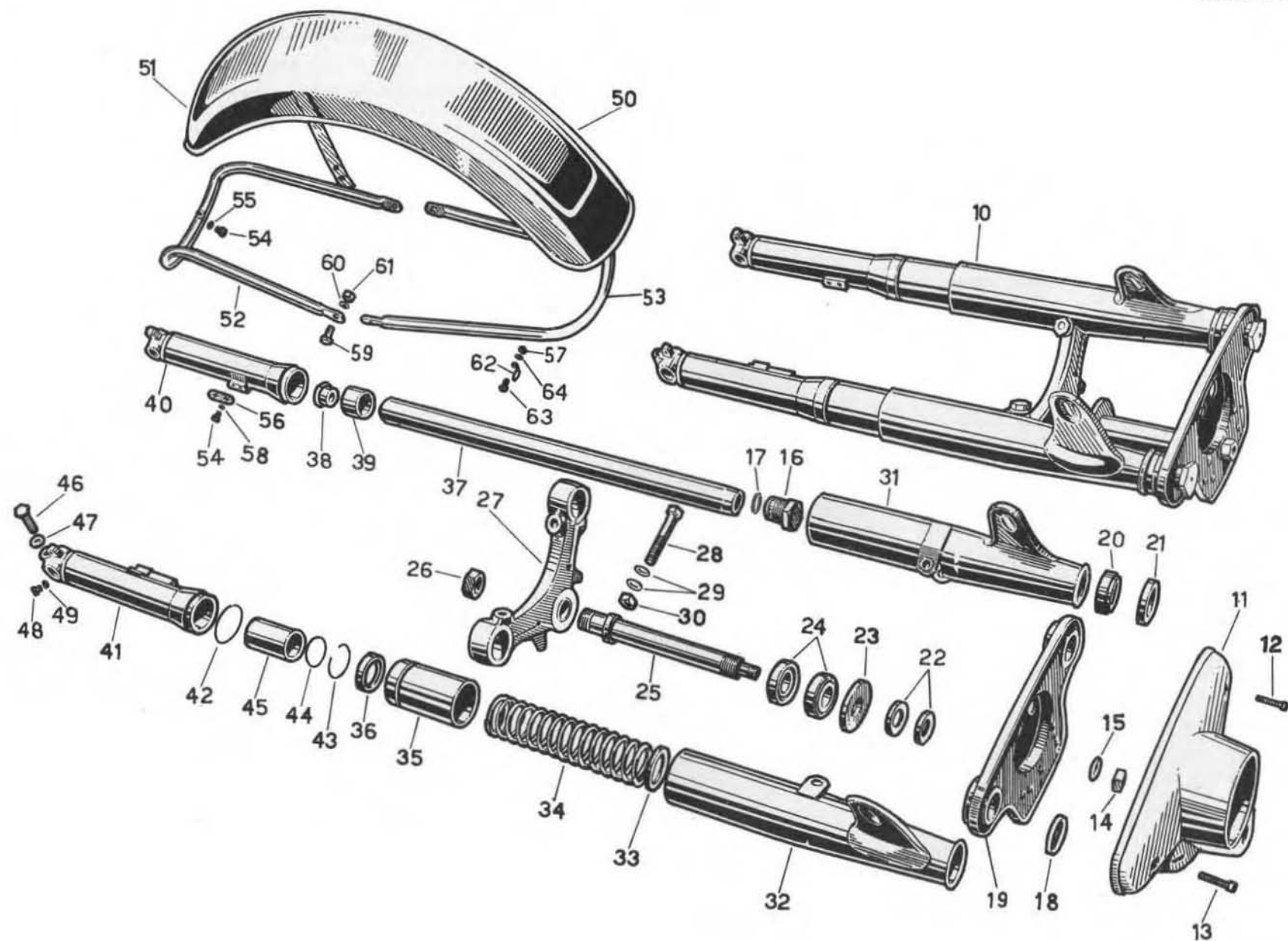


PLATE 13 MODEL: V-7 twin
Steering

GROUP: Handlebar and controls

Fig. No	Order No.	DESCRIPTION	Quantity	Notes
10	12 60 01 00	Handlebar, c/w control levers	1	
11	12 60 03 00	Handlebar, bend only	1	
12	12 60 54 00	Lever, front brake, complete	1	
13	55 60 56 00	Lever, front brake, bare	1	
14	12 60 10 00	Bracket, front lever adjustable	1	
15	98 32 60 17	Screw, front brake and clutch lever securing	2	
16	95 02 11 06	Washer, lever screws	2	
17	92 60 24 06	Nut, lever screws	2	
18	95 79 02 37	Cable, adjuster, front brae and clutch	2	
19	93 76 00 72	Thimble, cable adjusters	2	
20	98 62 03 18	Allen screw, lever to handlebar	2	
21	12 60 55 00	Lever, clutch, complete	1	
22	55 60 57 00	Lever, clutch, bare	1	
23	12 60 19 00	Bracket, adjustable	1	
24	55 60 35 00	Twist grip, throttle control	1	
25	55 60 34 00	Grip, handlebar, throttle, R/H	1	
26	55 60 30 00	Grip, L/H	1	
27	12 11 80 00	Lever, air control	1	
28	99 10 51 00	Screw, air lever to handlebar	1	
29	12 50 02 00	Clamp, handlebar	2	
30	98 02 44 20	Screw, clamp securing	4	
31	95 02 11 08	Washer, clamp screws	4	
32	11 50 07 00	Screw, top clamp securing	4	

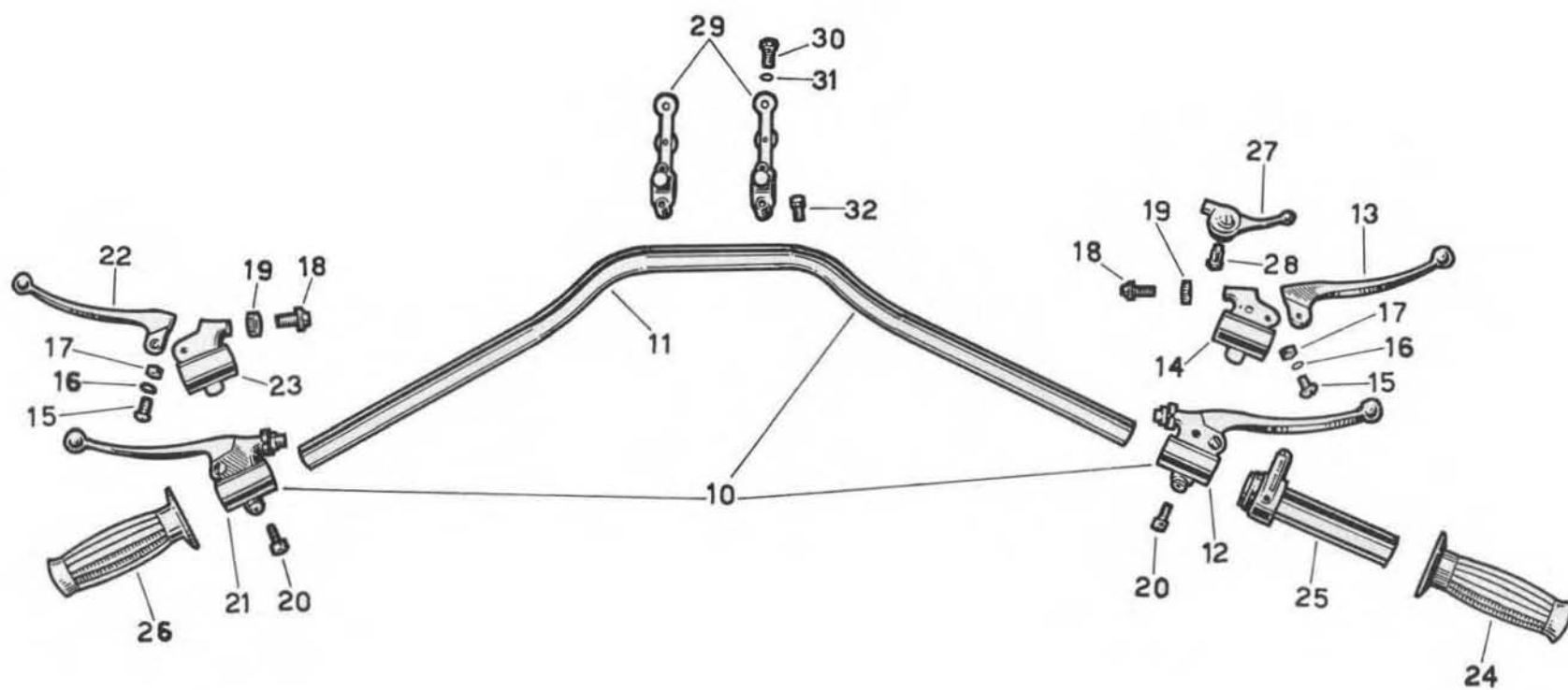


PLATE 14 MODEL: V-7 twin
Wheels - Brakes

GROUP: Front wheel - Wheel hub - Front brake
and control

Fig. No.	Order No.	DESCRIPTION	Quantity	Notes
10	12 61 02 00	Front wheel, complete	1	
11	12 61 03 00	Front wheel, bare	1	
12	12 61 08 00	Rim, front wheel	1	
13	12 61 15 00	Spoke, front wheel, c/w nipple	40	
14	12 61 32 00	Hub, front wheel	1	
15	92 70 01 71	Nut, front wheel spindle	1	
16	95 10 06 28	Washer, front wheel spindle	2	
17	12 61 41 00	Spindle, front wheel	1	
18	12 62 02 00	Cover, rear hub	1	
19	12 62 08 00	Brake shoe, c/w linings	2	
20	12 62 14 00	Lining, brake shoe	2	
21	12 62 09 00	End plate, brake shoe	2	
22	98 28 06 14	Screw, end plate to shoe	4	
23	12 62 21 00	Spring, front brake shoe	2	
24	12 62 32 00	Pin, brake shoe	2	
25	95 10 03 11	Washer, brake shoe pin	2	
26	92 60 22 10	Nut, brake shoe pin	2	
27	12 62 25 00	Cam, front brake shoe	2	
27/1	12 62 54 00	Cable, front brake	1	
28	12 62 53 00	Lever, double acting on cam	1	
29	12 62 50 00	Lever, brake cam	1	
30	98 10 60 22	Bolt, lever to cam	2	
31	12 62 66 00	Rod, c/w fork on operating lever	1	
32	12 62 67 00	Rod	1	
33	12 62 68 00	Fork, rod	2	
34	92 60 22 06	Nut, adjusting, on rod	1	
35	95 78 02 65	Pin, rod to operating lever	2	
36	95 50 02 22	Cotter pin, rod to lever pin	2	
37	95 12 91 10	Washer, lever pin	2	
38	12 62 15 00	Hub cover, R/H	1	
39	90 40 32 49	Seal ring, hub	2	Corteco 32.48.7 BA
40	12 61 52 00	Housing, bearing	2	
41	92 24 69 22	Bearing, roller	2	22 x 48 x 15.5 RIV 01/02 4210
42	95 10 07 15	Adjusting washer	2	
43	12 61 53 00	Distance piece, bearings	1	

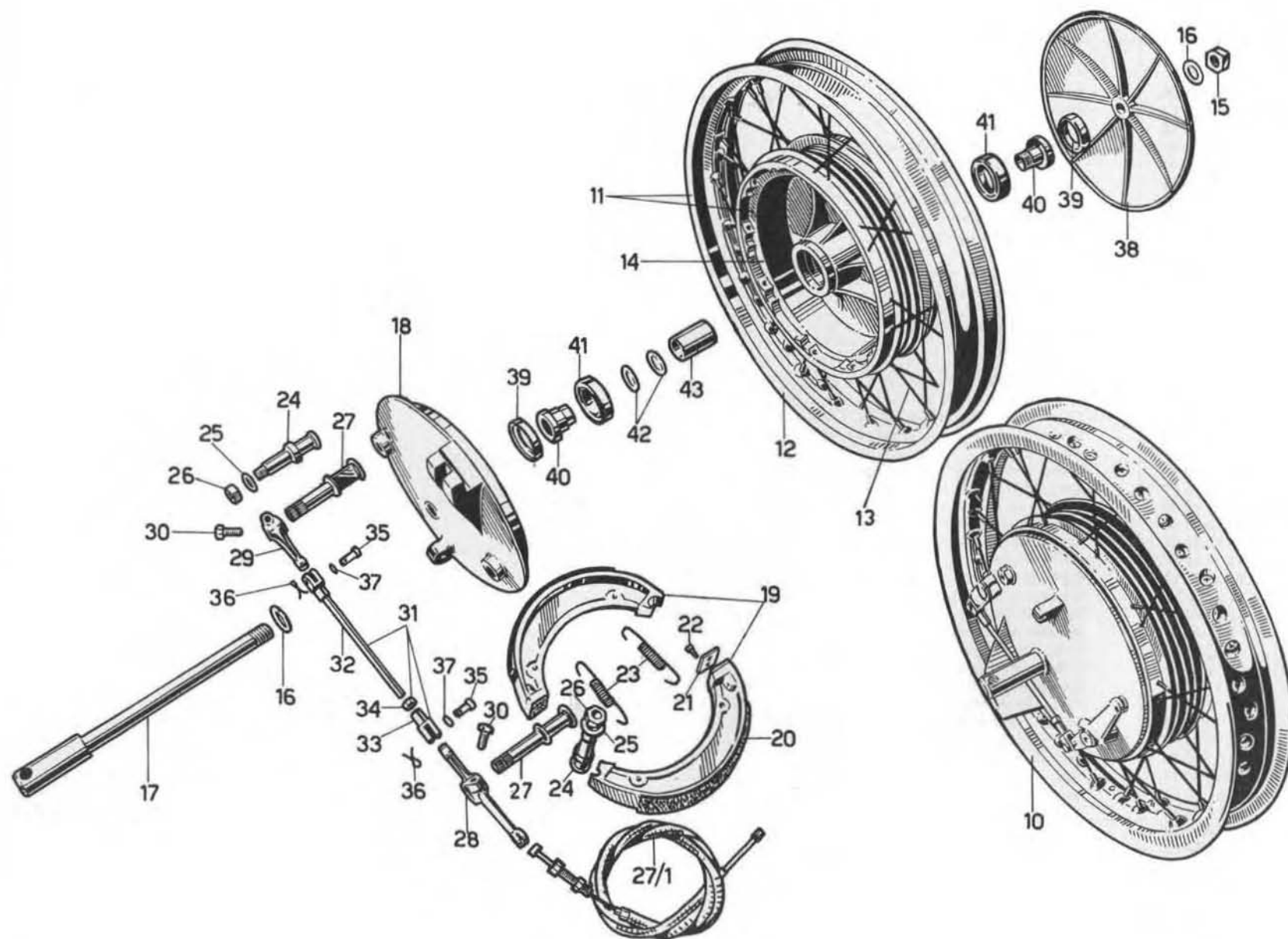


PLATE 15 MODEL: V-7 twin
Wheels - Brakes

GROUP: Rear wheel - Hub - Rear brake and
control

Fig. No.	Order No.	DESCRIPTION	Quantity	Notes
10	12 63 02 00	Rear wheel, complete	1	
11	12 63 05 00	Rear wheel, bare	1	
12	12 61 08 00	Rim, rear wheel	1	
13	12 61 15 00	Spoke, rear wheel, c/w nipple	40	
14	12 63 30 00	Brake drum, rear wheel	1	
15	92 70 01 71	Nut, rear wheel spindle	1	
16	95 10 06 28	Washer, rear wheel spindle	2	
17	12 63 33 00	Spindle, rear wheel	1	
18	12 63 41 00	Spacer, wheel spindle	1	
19	12 63 52 00	Hub cover	1	
20	12 63 74 00	Shoe, rear brake, c/w linings and end plates	2	
21	12 62 14 00	Lining, rear brake shoe	2	
22	12 62 09 00	End plates, rear brake shoes	2	
23	98 28 06 14	Screw, plate securing	2	
24	12 63 81 00	Spring, brake shoe	2	
25	12 63 62 00	Pin, brake shoe	1	
26	95 10 05 21	Washer, brake shoe pin	1	
27	92 70 11 48	Nut, brake shoe pin	1	
28	12 63 66 00	Tie rod, hub cover anchoring	1	
29	95 02 11 10	Washer, hub cover anchoring rod	2	
30	92 60 22 10	Nut, hub rod	2	
31	98 11 00 15	Screw, rod securing to rear fork	1	
32	12 62 25 00	Cam, rear brake shoe	1	
33	12 63 96 00	Lever, rear brake cam	1	
34	98 10 60 22	Screw, lever to cam	1	
35	95 73 02 60	Thumb screw, rear brake rod	1	
36	95 71 63 65	Pin, for lever on hub cover	1	
37	95 50 02 22	Cotter pin, tie rod retaining on shoe pin	1	
38	95 10 01 37	Washer, rod to shoe pin	1	
39	12 67 60 00	Rod, rear brake control	1	
40	12 67 65 00	Spindle, c/w lever	1	
41	12 67 70 00	Lever, rear brake control	1	
42	98 10 60 28	Screw, rear brake pedal to spindle	1	
43	12 67 80 00	Spring, lever return	1	
44	92 60 50 08	Nut, central body fixing bolt	6	
45	95 10 12 31	Washer, central body fixing bolt	6	
46	98 10 80 38	Bolt, central body securing	6	
47	12 63 32 00	Central body	1	
48	90 40 32 49	Seal	2	Corteco 32.48.7 7 BA
49	12 61 52 00	Housing, taper roller bearing	2	
50	92 24 69 22	Bearing, hub, taper roller	2	22 x 48 x 15.5 RIV 01/02/4210
51	95 10 07 15	Washer, bearing-spacer	2	
52	12 63 40 00	Spacer, hub bearings	1	

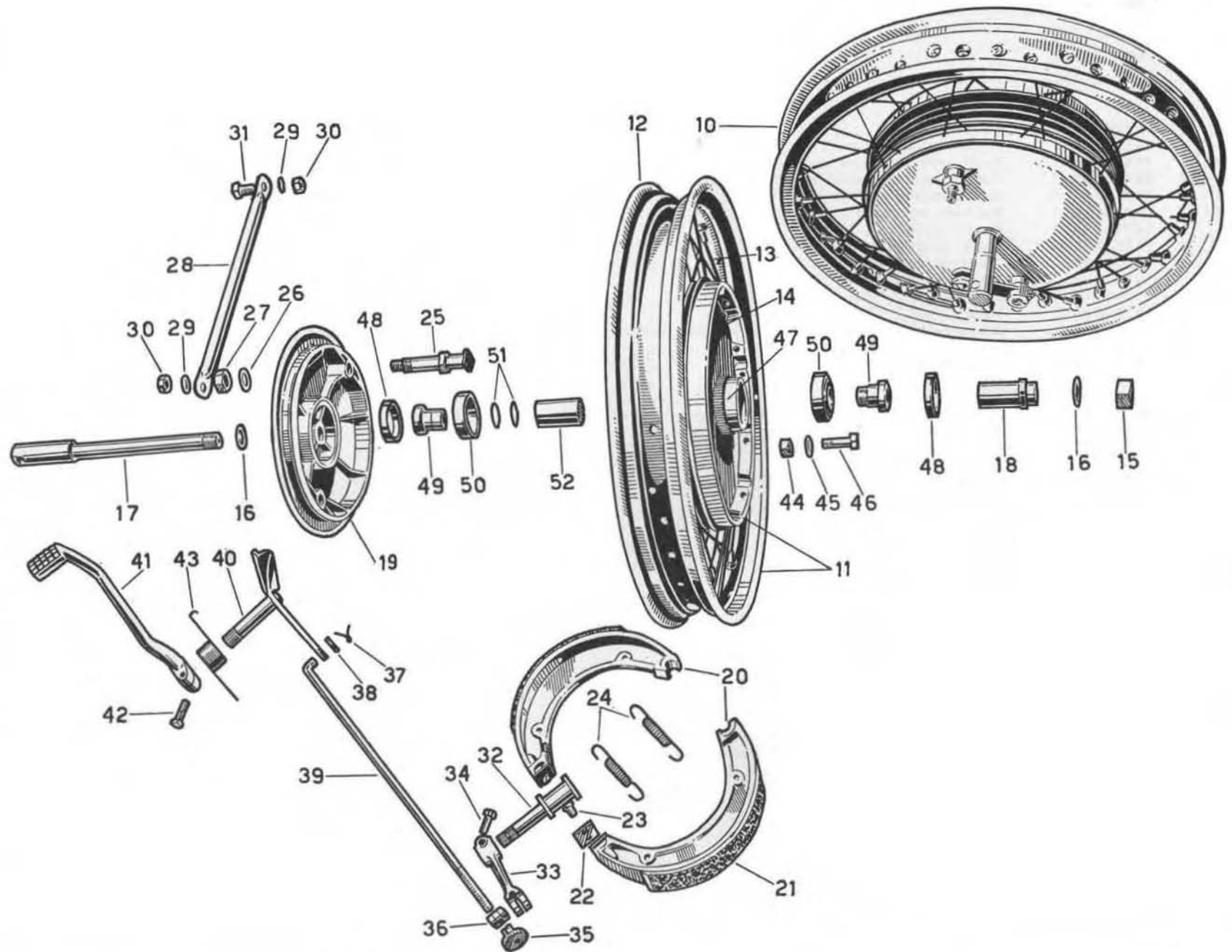


PLATE 16 MODEL: V-7 twin
Electrical equipment

GROUP: Ignition and lighting

Fig. No.	Order No.	DESCRIPTION	Quantity	Notes
10	12 70 02 00	Generator	1	Marelli DN 62 M
11	12 70 03 00	Bracket, generator support	1	
12	98 02 44 20	Screw, generator bracket	2	
13	95 02 11 08	Washer, generator bracket, coil and horn screw	5	
14	12 70 07 00	Band, generator securing	2	
15	95 71 62 80	Pin, band, threaded	1	
16	95 71 63 80	Pin, band, plain	1	
17	99 10 51 27	Screw, generator band	1	
18	12 70 09 00	Pin, band securing	2	
19	95 50 02 22	Cotter pin, band securing pin	4	
20	12 70 06 00	Cover, generator, R/H	1	
21	12 70 06 05	Cover, generator, L/H	1	
22	98 10 60 09	Bolt, generator cover and bottom number plate securing	6	
23	95 02 11 06	Washer, cover securing bolt	4	
24	12 70 38 00	Regulator (for generator DN 62 M)	1	Marelli IR 50B
25	12 70 41 00	Bracket, regulator	1	
26	98 02 44 22	Screw, regulator bracket	2	
27	95 10 12 31	Washer, regulator and distributor brackets screws, and coil screws	6	
28	92 60 22 08	Nut, regulator bracket, coil and horn screws	5	
29	12 70 25 00	Belt, generator	1	Pirelli 60404/A
30	12 71 57 00	Bracket, distributor	1	
31	12 71 59 00	Gasket, distributor bracket	1	
32	98 05 44 25	Screw, bracket retaining	2	
33	12 71 54 00	Distributor	1	Marelli S 123 A
34	12 71 62 00	Gear, distributor	1	
35	95 51 03 18	Pin, distributor gear fixing	1	
36	98 10 60 21	Screw, distributor fixing	1	
37	95 10 01 37	Washer, distributor screw	1	
38	12 71 65 00	Coil, ignition	1	Marelli BE 200 D
39	98 02 44 12	Screw, coil securing	2	
40	12 70 42 00	Gasket, battery support	1	
41	12 71 78 00	H. T. Lead, distributor to coil	1	
42	12 71 76 00	Cap, H. T. lead, coil end	1	
43	45 71 76 00	Cap, distributor to coil, spark plug leads, and oil pressure solenoid	4	
44	12 71 83 00	H. T. Lead, distributor to right spark plug	1	
45	12 71 74 00	Cap, spark plug	2	Bosch EM/WB1/11
46	12 71 85 00	H. T. Lead, distributor to left spark plug	1	
47	55 71 70 00	Spark plug, n. 225 Bosch-Marelli scale or equivalent	2	
48	12 71 93 00	L. T. Lead, distributor to coil	1	
49	12 73 07 00	Starter motor	1	Marelli MT 40H - .7 HP 12 V
50	12 74 94 00	Grommet	2	
51	12 70 30 00	Cap large	2	
52	12 70 29 00	Cap, small	5	
53	25 70 71 00	Cap	1	
54	25 70 45 00	Battery	1	12 V - 32 Ah

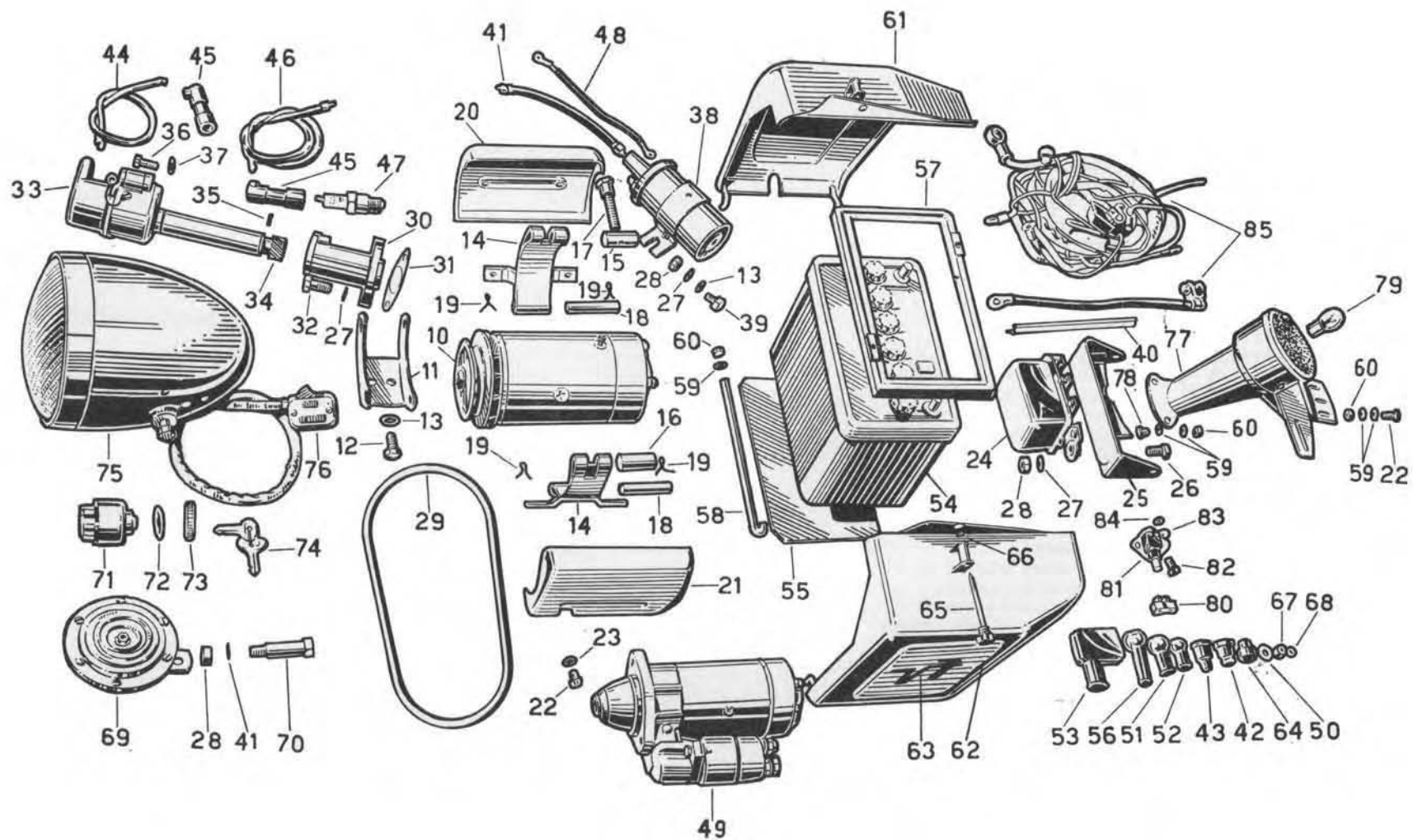


PLATE 16 MODEL: V-7 twin
Electrical equipment

GROUP: Ignition and lighting

Fig. No.	Order No.	DESCRIPTION	Quantity	Notes
55	12 70 56 00	Gasket, battery	1	
56	26 70 67 00	Cap	1	
57	12 70 46 00	Bracket, battery holder	1	
58	25 70 55 01	Stud, battery securing	2	
59	95 10 01 30	Washer, battery stud and number plate fixing bolts	10	
60	92 60 22 06	Nut, battery studs and number plate bolts	6	
61	12 70 52 00	Cover, battery, R/H	1	
62	12 70 54 00	Cover, battery, L/H	1	
63	12 91 78 00	Decal, V-7	2	
64	12 43 30 00	Rubber pad	4	
65	12 70 66 00	Screw, cover locking	2	
66	90 28 00 05	Washer, cover locking screw	2	
67	12 70 68 00	Rubber ring	1	
68	91 55 10 81	Rubber ring	1	
69	12 74 37 00	Horn	1	Marelli T 12 DE/F
70	99 10 51 29	Bolt, horn	1	
71	12 73 53 00	Switch, ignition key, 25 Amp.	1	Marelli Q 161 C
72	90 70 62 50	Gasket, ignition key switch	1	
73	12 73 54 00	Lock ring, ignition key switch	1	
74	12 73 55 00	Ignition key	2	
75	12 74 05 20	Headlight, c/w switch	1	CEV 4501
76	12 74 60 20	Light switch, on handlebar	1	CEV 8142.4
77	12 47 49 20	Number plate, c/w tail light	1	
78	98 10 60 17	Screw, top number plate securing	2	
79	93 45 02 24	Bulb, tail lamp	1	20 SF - 20/5, 12 V
80	55 74 91 85	Terminal block, 2 connections	1	
81	55 74 11 00	Stop cutout	1	
82	98 30 50 17	Screw, cutout securing	2	
83	95 10 00 55	Washer, cutout screws	2	
84	92 70 00 50	Nut, stop cutout screws	2	
	12 74 73 20	Cable ass. y, headlight - switch	1	
	12 74 71 00	Cable ass. y, main connections	1	
	12 74 72 00	Cable ass. y, headlight to instrument panel	1	
85	12 74 75 00	Cable from stop lamp	1	
	12 74 77 00	Cable regulator to earth	1	
	12 74 79 00	Cable from battery (+)	1	
	12 74 74 20	Cable, headlight, internal connections	1	

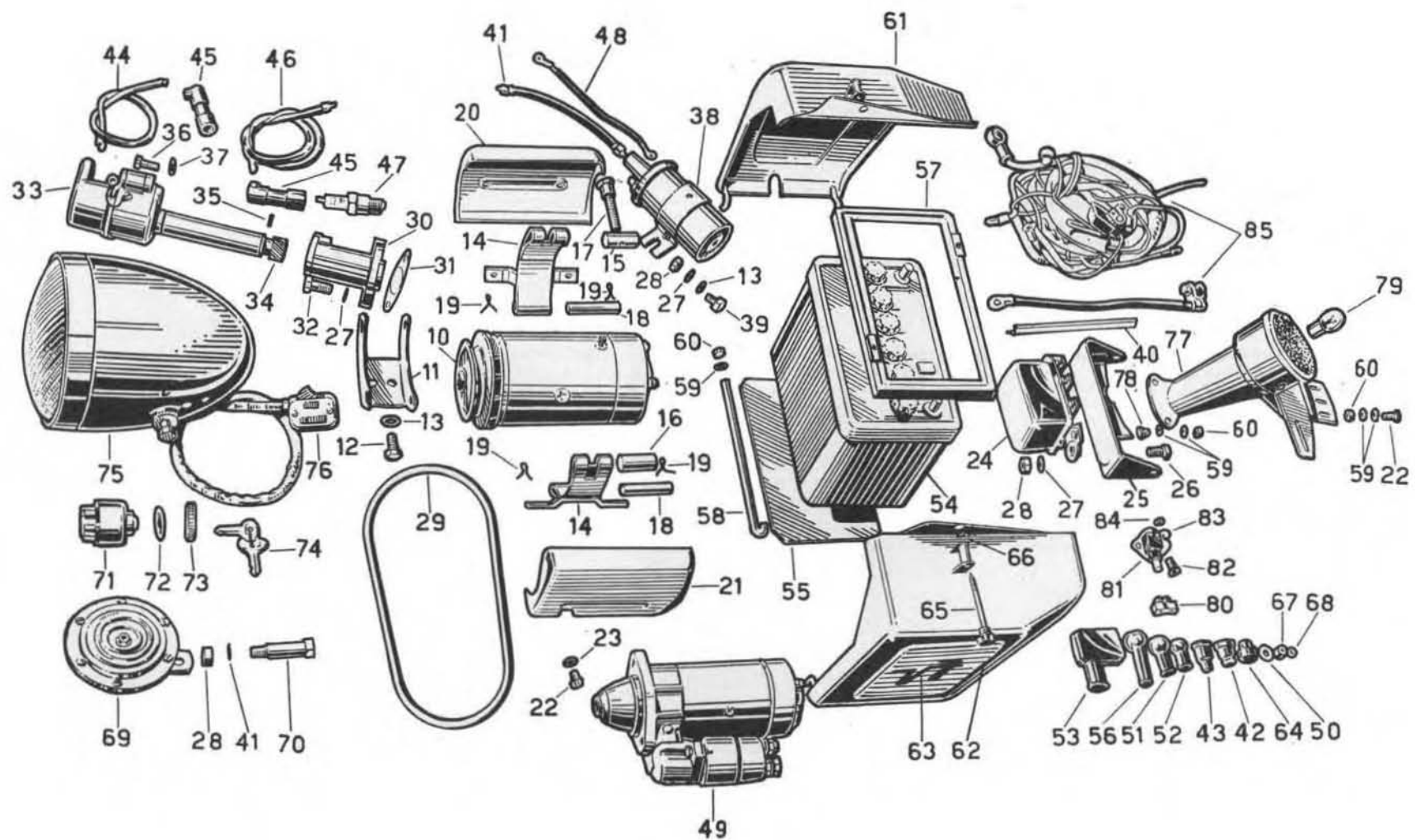
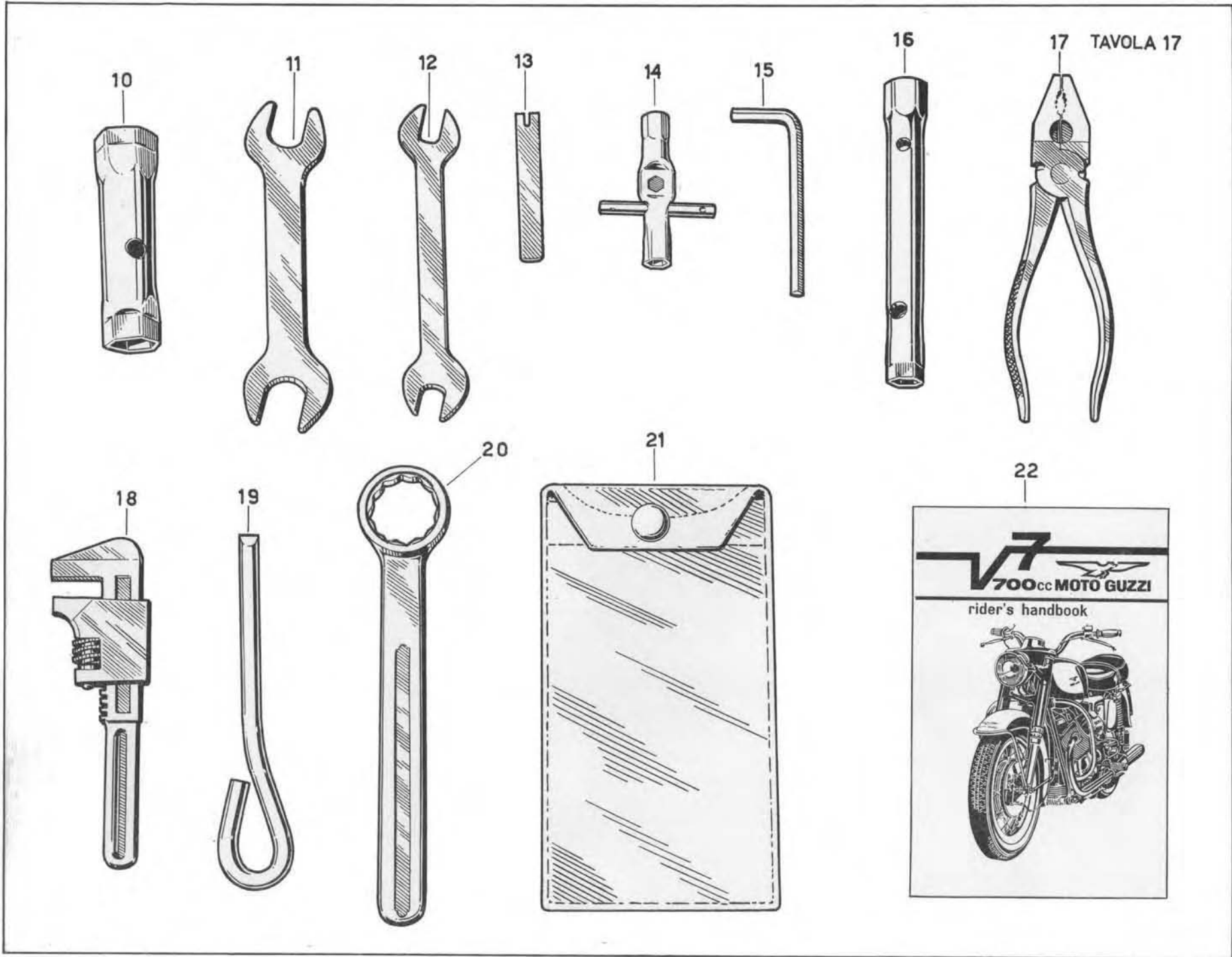


PLATE 17 MODEL: V-7 twin
Tool kit

GROUP: **Tool kit and gasket sets**

Fig. No.	Order No.	DESCRIPTION	Quantity	Notes
10	55 90 19 00	Wrench, box, 19/21/22 mm.	1	
11	12 90 10 00	Wrench, open ended, 17/19 mm.	1	
12	12 90 08 00	Wrench, open ended, 10/11 mm.	1	
13	55 90 04 00	Wrench, open ended, tappet adjusting	1	
14	25 90 21 00	Wrench, box, 8/9 mm.	1	
15	55 90 24 00	Allen key, 5 hex	1	
16	25 90 20 00	Wrench, box, 10/14 mm.	1	
17	25 90 55 00	Pliers, universal	1	
18	25 90 56 00	Wrench, adjustable	1	
19	55 90 50 00	Screwdriver	1	
20	12 90 11 00	Wrench, ring, 27 mm.	1	
21	12 91 45 00	Tool bag	1	
22		Instruction booklet	1	
A	12 99 90 00	Gasket set including parts n. 12 02 37 00, 12 02 08 00, 12 01 18 00, 12 00 12 00, 12 00 36 00, 12 15 91 00, 12 15 32 00, 12 00 76 00, 12 20 11 00, 12 20 15 00, 12 20 77 00, 12 35 26 00, 12 35 29 00, 12 35 07 00, 12 71 59 00, (19 pcs.)	1	
B	12 99 95 00	Seal set including: 90 40 38 50, 90 40 53 68, 90 40 35 47, 90 40 25 35, 90 40 70 85, 90 40 38 50, 90 40 30 40, 90 40 35 50, 90 40 32 49, (14 pcs.)	1	



BODEGATIPOGRAFIA - LECCO

VIA TRIESTE, 9 - TEL. 24.121

500 copie - APRILE 1967