



**750**  
*Ambassador*

spare parts catalogue





---

**SEIMM**

SOCIETÀ ESERCIZIO INDUSTRIE MOTOMECCANICHE S.p.A.

Capitale sociale sottoscritto: L. 495.000.000

Sede legale: Milano

Galleria de Cristoforis, 3 - Telefono 700965

Direzione e Stabilimenti: 22054 Mandello del Lario (Co)

Telefoni: 71112 e 72512 (8 linee urbane)

Telegrammi: SEIMM MANDELLOLARIO



**MOTO GUZZI**

---



SPARE PARTS CATALOGUE

JAN 1970 - I<sup>a</sup> EDITION



## CONDITIONS OF SALE

- SALES — All spare parts supplies are subject to goods availability at the time the order is received.
- PRICES — All prices appearing in the official price list are net ex-factory prices. Any tax or charge inherent to the buying and selling transaction shall be entirely on the buyers.
- DELIVERY AND SHIPMENT — Moto Guzzi shall not be held liable for any delayed delivery. Any indicated time is only informative and not binding. All goods travel at buyers' risk, including C.O.D. deliveries.
- DISTRIBUTORS — Any order obtained by the Distributor shall not be binding on Moto Guzzi who reserves the right to decide its execution or not.
- CLAIMS — Any claim for parts received in a damaged condition, not corresponding to the order, or short supplied is to be made within 8 days from the receipt of such parts.
- LIABILITY — Moto Guzzi shall not be held responsible for any damages to persons or property arising out from the use of its products, even if such damages be caused by structural or machining defects of the material supplied.

## HOW TO ORDER

All orders should contain the following information:

- Transport means required
- Engine number of machine
- Description of part and part number
- Quantity.

**All original Moto Guzzi parts are stamped with the registered trade mark and may be obtained from the general distributors or the officially appointed Moto Guzzi dealers.**

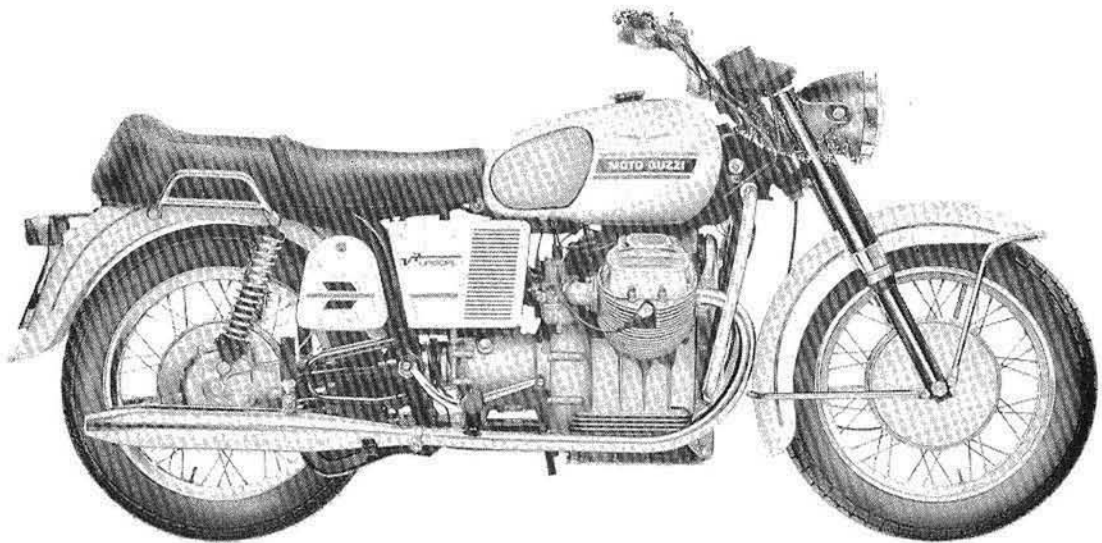


Fig. 1 - Right view

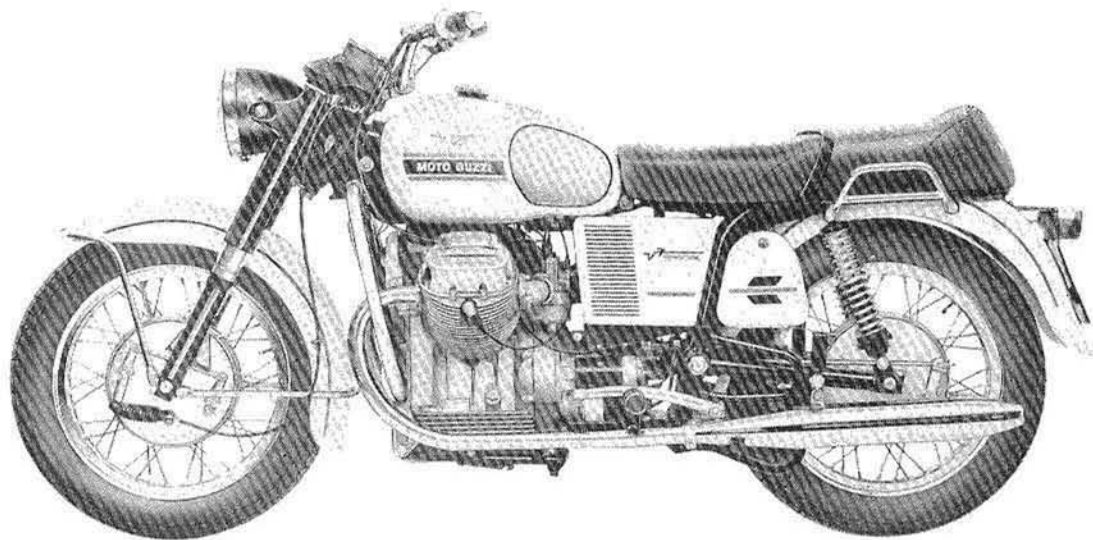


Fig. 2 - Left view

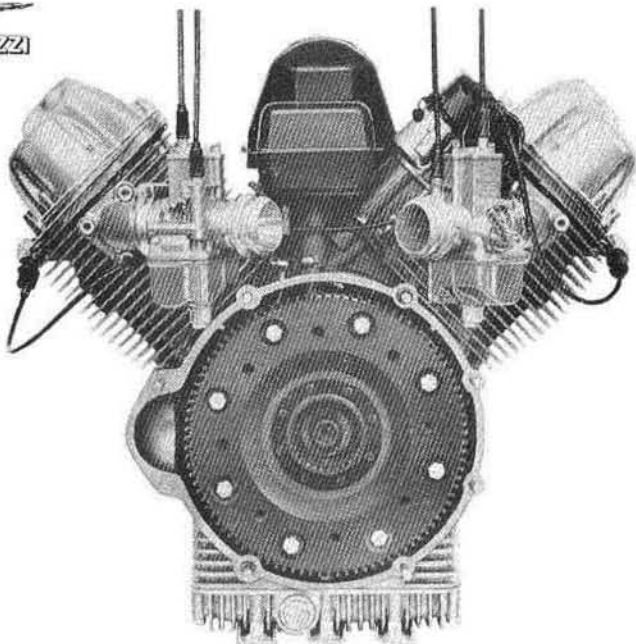


Fig. 3 - Engine

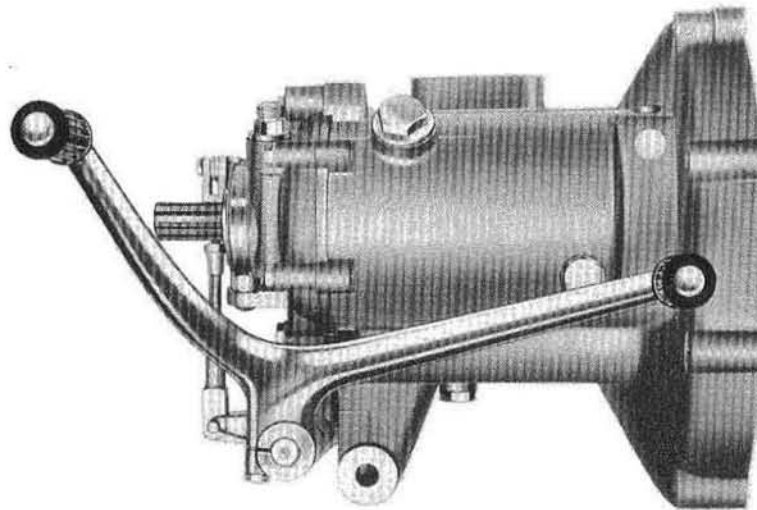
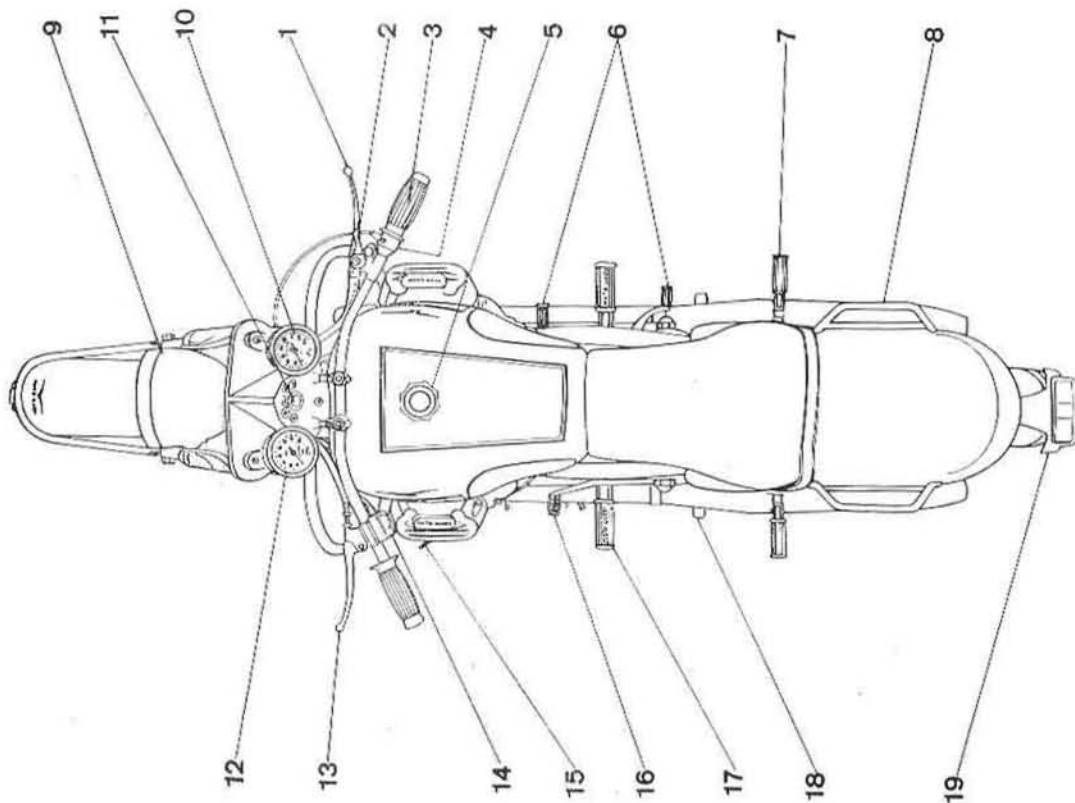


Fig. 4 - Gearbox



#### CONTROLS AND ACCESSORIES

1. Front brake lever
2. Air control lever
3. Throttle control grip
4. Starter button
5. Filler cap
6. Gearshift lever
7. Pillion footrests
8. Pillion handgrip
9. Headlight
10. Speedometer
11. Ignition key
12. Rev-counter
13. Clutch lever
14. Light switch and horn button
15. Side stand
16. Rear brake pedal
17. Footrests
18. Center stand
19. Tail light

The machine can also be supplied with gearshift lever on the left and rear brake pedal on the right.

N.B. - The terms «right» and «left» in the text are used in the sense they would appear to one sitting in the saddle.

## MAIN FEATURES

### ENGINE

Cycle	: 4 strokes
Number of cylinders:	2
Cylinder disposition:	« V » 90°
Bore	: 83 mm. (3.26")
Stroke	: 70 mm. (2.75")
Displacement	: 757.486 cc. (46.21 cu.in.)
Compression ratio	: 9 to 1
Revs at maximum engine speed	: 6500 r.p.m.
Output at maximum engine speed	: 60 HP SAE
Crankcase	: in light alloy
Cylinders	: in light alloy with hard chromed barrels
Cylinder heads	: in light alloy, hemispherical, with special cast iron inserted seats
Crankshaft	: steel construction
Crankshaft supports:	in anti-friction material pressed in 2 suitable housings (as used in all F1 race cars)
Connecting rods	: steel construction with AL-TIN alloy thin wall bearings
Pistons	: in light alloy.

### Valve gear

O.H.V., push rod operated via the camshaft in the crankcase and gear driven by the crankshaft.

Inlet:

- opens 24° before TDC
- closes 58° after BCD

Exhaust:

- opens 58° after BDC
- closes 22° after TDC

Rocker clearance for valve timing:

- 0.5 mm. (.0196")

Normal rocker clearance (cold engine)

- inlet 0.15 mm. (.0059")
- exhaust 0.25 mm. (.0098")

### Carburation

2 Dell'Orto carburetors type VHB 29 CD (right) and VHB 29 CS (left) both gravity fed from the tank.

#### Standard carburetor setting

— Choke	: 29 mm.
— Throttle slide	: 60
— Atomizer	: 265
— Main jet	: 145
— Pilot jet	: 45
— Starter atomizer	: 80

With needle SV9 set at second notch from top: idling screw open 1 and 1/2 turns for the left carburetor and 1 and 3/4 - 2 turns for the right carburetor.

With needle SV5 third notch from top: idling screw open 1 1/2 to 2 turns for the left carburetor and 2 - 2 1/2 turns for the right carburetor.

Air intake provided with dry filter.

### Lubrication

Pressure, by gear pump driven by the crankshaft. Oil strainer in crankcase.

Normal lubrication pressure 3.8 - 4.2 kgs/sq.cm. (54 to 60 lbs sq.in.) controlled by relief valve.

Electrically controlled oil pressure gauge.

### Cooling

By air. Cylinder and cylinder head deeply finned.

### Ignition

By battery with automatic advance distributor.

Initial advance: 10°.

Automatic advance: 28°.

Ignition timing 38° full advance.

Contact breaker gap: 0.42-0.48 mm. (.016 - .018").

Spark plug: n. 225 in Bosch-Marelli scale or equivalent.

Plugs point gap: 0.6 mm. (.023").

Ignition coil.

## MAIN FEATURES

<b>Wheels</b>	18 x 3 rims, front and rear.																								
<b>Tires</b>	4.00 x 18 front and rear, block type (high speed).																								
<b>Tire pressure</b>	<table border="0" style="display: inline-table; vertical-align: middle;"> <tr> <td style="padding-right: 10px;">Front tire: solo</td> <td rowspan="2" style="font-size: 2em; vertical-align: middle;">}</td> <td rowspan="2" style="vertical-align: middle;">1.5 kgs/sq.cm. = 21 p.s.i.</td> </tr> <tr> <td style="padding-right: 10px;">with passenger</td> </tr> <tr> <td style="padding-right: 10px;">Rear tire: solo</td> <td rowspan="2" style="font-size: 2em; vertical-align: middle;">}</td> <td rowspan="2" style="vertical-align: middle;">1.8 kgs/sq.cm. = 25 p.s.i.</td> </tr> <tr> <td style="padding-right: 10px;">with passenger</td> <td style="vertical-align: middle;">2.0 kgs/sq.cm. = 28 p.s.i.</td> </tr> </table> <p style="margin-top: 5px; font-size: 0.8em;">Note - The above recommendation is for normal riding (cruising speed). If using the machine at constant high speed or on motorways, the above pressure should be increased by 0.2 kgs/sq.cm. (2.8 p.s.i.).</p>	Front tire: solo	}	1.5 kgs/sq.cm. = 21 p.s.i.	with passenger	Rear tire: solo	}	1.8 kgs/sq.cm. = 25 p.s.i.	with passenger	2.0 kgs/sq.cm. = 28 p.s.i.															
Front tire: solo	}	1.5 kgs/sq.cm. = 21 p.s.i.																							
with passenger																									
Rear tire: solo	}	1.8 kgs/sq.cm. = 25 p.s.i.																							
with passenger			2.0 kgs/sq.cm. = 28 p.s.i.																						
<b>Brakes</b>	<p>Twin leading shoes front brake operated by hand lever on the right handlebar.</p> <p>Large rear brake operated on left hand side of machine.</p>																								
<b>Overall dimensions and weight</b>	<table border="0" style="width: 100%;"> <tr> <td style="width: 20%;">— Wheelbase</td> <td style="width: 15%;">1.470 mts.</td> <td style="width: 15%;">(about</td> <td style="width: 50%;">57.8")</td> </tr> <tr> <td>— Length</td> <td>2.245 "</td> <td>( "</td> <td>88.3")</td> </tr> <tr> <td>— Width</td> <td>0.830 "</td> <td>( "</td> <td>32.6")</td> </tr> <tr> <td>— Height (dry)</td> <td>1.070 "</td> <td>( "</td> <td>42.1")</td> </tr> <tr> <td>— Minimum ground clearance</td> <td>0.150 "</td> <td>( "</td> <td>5.9")</td> </tr> <tr> <td>— Curb weight</td> <td>228 kgs.</td> <td>( "</td> <td>502 lbs.)</td> </tr> </table>	— Wheelbase	1.470 mts.	(about	57.8")	— Length	2.245 "	( "	88.3")	— Width	0.830 "	( "	32.6")	— Height (dry)	1.070 "	( "	42.1")	— Minimum ground clearance	0.150 "	( "	5.9")	— Curb weight	228 kgs.	( "	502 lbs.)
— Wheelbase	1.470 mts.	(about	57.8")																						
— Length	2.245 "	( "	88.3")																						
— Width	0.830 "	( "	32.6")																						
— Height (dry)	1.070 "	( "	42.1")																						
— Minimum ground clearance	0.150 "	( "	5.9")																						
— Curb weight	228 kgs.	( "	502 lbs.)																						
<b>Performance</b>	<p>Maximum permissible speeds and gradients climbable in each gear, solo riding.</p> <p>Low gear : 62 kms/h (38.5 m.p.h.) climbing ability: 60%</p> <p>Second gear : 104.250 kms/h (64.6 m.p.h.) climbing ability: 40%</p> <p>Third gear : 145.250 kms/h (89.2 m.p.h.) climbing ability: 20%</p> <p>High gear : 185.276 kms/h (115 m.p.h.) climbing ability: 8%</p>																								
<b>Consumption</b>	Measured according to CUNA standards.																								
<b>Starting</b>	Electric starter with electromagnetic ratchet control. Ring gear bolted on flywheel. Operated by starter button.																								

<b>Exhaust system</b>	Dual exhaust pipes and mufflers.
<b>TRANSMISSION</b>	
<b>Clutch</b>	Twin driven plates, dry type, located on the flywheel. Controlled by lever on left handlebar.
<b>Gear box</b>	<p>Four speeds, frontal engagement. Constant mesh gears.</p> <p>Cush drive incorporated.</p> <p>Separate case bolted on crankcase, operated by rocker pedal on the right side of the machine.</p> <p>Engine gear-box ratio . . . . 1 to 1.375 (16-22)</p> <p>Internal gear ratios:</p> <p>— Low gear . . . . . 1 to 2.230 (13-29)</p> <p>— Second gear . . . . . 1 to 1.333 (18-24)</p> <p>— Third gear . . . . . 1 to 0.954 (22-21)</p> <p>— High gear . . . . . 1 to 0.750 (24-18)</p>
<b>Secondary drive</b>	<p>By constant speed double joint cardan shaft.</p> <p>Layshaft bevel gears- rear wheel ratio: 4.375 (8-35).</p> <p>Overall gear ratios:</p> <p>— Low gear . . . . . 1 to 11,628</p> <p>— Second gear . . . . . 1 to 7,597</p> <p>— Third gear . . . . . 1 to 5,738</p> <p>— High gear . . . . . 1 to 5,511</p> <p>(The machine is optionally supplied with L/H gearshift lever).</p>
<b>Frame</b>	Duplex cradle, tubular structure.
<b>Suspension</b>	<p>Telescopic front fork incorporating hydraulic dampers.</p> <p>Rear swinging fork with externally adjustable springs.</p>
<b>Fuel and oil capacities</b>	<p>Fuel tank: 22.5 liters (5.84 US gls.) including about 4 liters reserve (about 1 US gl.) - Petrol 98 NO (Regular octane) - Sump 3 liters (3 1/4 quarts) Shell Super Motor Oil 100 - Transmission 0.750 liters (1 3/4 pints) Shell Spirax 90 E.P. - Rear wheel drive 0.300 liters (5/8 pints) Shell Spirax 90 E.P. - Front fork dampers 0.160 liters = 5.4 oz US Shell Tellux 33.</p>



## INDEX TO PLATES

MODEL	MAIN GROUP	SUB-ASSEMBLY	PLATE No.
V-7 twin	ENGINE	Cylinders - Cylinder heads - Rocker boxes - Rocker assemblies - Valves . . . . .	1
		Crankcase and covers . . . . .	2
		Crankshaft - Connecting rods - Pistons - Timing gears . . . . .	3
		Oil pump - Oil lines - Filter - Breather unit - Oil pressure solenoid . . . . .	4
		Fuel tank - Exhaust pipes - Mufflers . . . . .	5
		Carburetor - Control cables - Air cleaner . . . . .	6
	PRIMARY DRIVE	Clutch and controls . . . . .	7
		Gear box and covers . . . . .	8
		Gear box - Shafts - Controls . . . . .	9
	REAR WHEEL DRIVE	Rear fork - Drive box - Drive shaft and bevel gears . . . . .	10
	FRAME	Frame - Center stand - Side stand - Footrest pivot - Pillion footrests - Rear fender . . . . .	11
	FRONT SUSPENSION STEERING	Steering - Front fork - Front fender . . . . .	12
	STEERING	Handlebar and controls . . . . .	13
	INSTRUMENT PANEL	Speedometer and rev-counter . . . . .	14
WHEELS BRAKES	Front wheel - Wheel hub - Front brake and controls . . . . .	15	
	Rear wheel - Hub - Rear brake and controls . . . . .	16	
ELECTRICAL EQUIPMENT	Ignition . . . . .	17	
ELECTRICAL EQUIPMENT BREAKDOWN	Lighting and battery . . . . .	18	
	Distributor . . . . .	19	
TOOLS	Tool kit - gasket set - seal set . . . . .	20	

## NUMERICAL INDEX

Order No.	Plate No.	Figure No.	Order No.	Plate No.	Figure No.	Order No.	Plate No.	Figure No.	Order No.	Plate No.	Figure No.	Order No.	Plate No.	Figure No.	
10744900	14	22	12038100	1	17	12115002	1	51	12211000	9	37	12355100	10	42	
10744902	14	23	12045001	3	44	12115003	1	51	12211101	9	60	12355202	10	43	
11500700	13	34	12045800	3	43	12115503	1	52	12211200	9	59	12355203			12494180
12001200	2	29	12045801			12117001	6	23	12211700	9	56	12355301	12494201	12	24
12001400	2	24	12045802			12117501	6	24	12213600	9	38	12355302	12494500	12	20
12001600	2	30	12053302	3	39	12118000	13	28	12214002	9	43	12355303	12496121	12	30
12003500	2	34	12054000	3	40	12120200	5	25	12214300	9	42	12355400	12496221	12	31
12003600	2	35	12061200	3	24	12120900	5	22	12214401	9	47	12355402	12496000	12	28
12003701	2	36	12061500	3	12	12120905	5	23	12214600	9	45/1	12355404	12500240	13	31
		8	37	12062000	5	35	12122500	5	35	12214701	9	49	12355406	12501500	14
	10	32	12062001	5	34	12122920	5	34	12215101	9	51	12355408	12504500	12	13
12004901	2	38	12062002	3	17	12123020	5	33	12215301	9	52	12355410	12504600	12	15
12006200	4	14	12062003	3	16	12123400	5	27	12215400	9	52/1	12356300	12522500	12	39
12006400	4	17	12062004			12123900	5	26	12215500	9	41	12356400	12522600	12	40
12006500	4	15	12062200			3	15	12147800	4	28	12230500	9	35	12356400	12525400
	7	27	12062300	3	10	12148500	4	29	12230701	9	46	12400102	12525800	12	38
12006600	4	16	12064201	3	11	12149800	4	36	12231501	9	50	12416400	12525900	12	37
12007200	4	10	12065400	3	33	12150700	4	24	12232400	9	34	12418200	12526600	12	33
12007600	4	11	12067000	3	34	12150900	4	26	12234300	9	31	12429600	12526700	12	45
12011400	2	20	12067600	3	34	12152200	4	37	12234400	9	26	12429701	12527200	12	44
12011401			3	35	12067700	4	39	12152600	4	39	12235300	8	39/1		
12011402	3	36	12067900	3	36	12153000	4	38	12236800	9	23	12430301	12527202		
12011403	9	55	12074000	3	28	12153200	4	42	12237900	9	28	12432000	12527203		
12011404			9	55	12081801	7	13	12153600	4	45	12238000	9	28/1	12432000	12527204
12011700	2	40	12082300	7	14	12154200	4	46	12238501	9	25	12432800	12527210	12	42
12011800	2	22	12082800	7	14	12155701	4	50	12250900	9	63	12433000	12527600	12	32
12011900	2	16	12082900	7	11	12157400	4	51	12250905	9	10	12433000	12527700	12	34
12011901			7	12	12084400	7	15	12157500	4	41	12250906	9	10/1	12434001	12540200
12011902	7	15	12085701	7	16	12157600	4	49	12251100	9	64	12434200	12547000	10	16
12011903	7	16	12085901	7	16	12157800	4	52	12251105	9	13	12434320	12547200	10	15
12011904	2	18	12086001	7	17	12158400	4	18	12257801	9	20	12435700	12547800	10	13
12012100			7	19	12086101	7	19	12159000	4	22	12257901	9	19	12435900	12548000
12012200	2	39	12087000	7	18	12159100	4	19	12258201	9	22	12437020	12548201	10	23
12012800	2	23	12090402	7	22	12159200	4	21	12326300	10	26	12440200	12548401	10	24
12012900	2	19	12093001	7	26	12200200	8	10	12327700	10	27	12441305	12550200	11	53
12018900	2	32	12103500	5	15	12200700	8	14	12328000	10	25	12441905	12550200	11	53
12019600	2	41	12103900	5	12	12200801	8	11	12350300	10	31	12442105	12552300	11	54
12021700	1	39	12105401	5	19	12201000	4	49/1	12350400	10	48	12442800	12555200	11	69
12021800	1	43	12106501	5	20	12201100	8	18	12350700	10	49	12442800	12600101	13	10
12023501	1	10	12108400	5	21	12201400	8	25	12351100	10	57	12443200	12600300	13	11
12023700	1	11		5	21	12201500	8	26	12351300	10	59	12450300	12601000	13	14
12030200	1	26	6	60	12202000	9	33	12351400	10	55	12450400	12601900	13	23	
12030400	1	27	6	62	12207200	8	32	12352100	10	47	12460502	12605401	13	12	
12031800	1	31	6	61	12207700	8	33	12352400	10	39	12464320	12605500	13	21	
12034001	1	29	6	67	12210502	9	36	12352600	10	40	12474921	12607500	6	12	
12034001	7	22	6	11	12210701	9	53	12352900	10	41	12478800	12607900	6	13	
12034800	1	25										12490221	12608300	6	22
												12492300	12610200	15	10
												12492700	12610300	15	11

## NUMERICAL INDEX

Order No.	Plate No.	Figure No.	Order No.	Plate No.	Figure No.	Order No.	Plate No.	Figure No.	Order No.	Plate No.	Figure No.	Order No.	Plate No.	Figure No.	Order No.	Plate No.	Figure No.
12610800	15	12	12700610	17	20	12715442	19	31	12807000	6	15	13476100	11	55/2	13936000	6	47
	16	12	12700700	17	14	12715443	19	31	12807100	6	14	13501500	14	10	13936100	6	47/1
	15	13	12700900	17	18	12715444	19	32	12807200	6	16	13502200	14	11	13936200	6	50
12611501	16	13	12702500	17	21	17715445	19	33	12900800	20	12	13625420	15	27/1	13936300	6	51
12613200	15	14	12702900	17	44	12715446	19	34	12901000	20	11	13705200	18	22	13936600	6	48
12614100	15	17	12703000	18	37	12715700	17	24	12901100	20	20	13705220	18	22/1	13936700	6	49
	15	40	12703801	17	46	12715900	17	25	12912700	20	22	13705400	18	23	13936800	6	52
12615200	16	52	12704100	17	47	12716200	17	29	12914500	20	21	13705420	18	24/1	13937000	6	25
12615300	15	43	12704200	17	49	12716500	17	33	12919200	5	11/4	13706600	18	26	13937100	6	30
12620200	15	18	12704601	18	18		17	37	12937200	6	27	13707300	18	25	13937400	6	35
12620800	15	19	12705500	18	19	12717600	18	38	12937300	6	28	13744920	14	24	13937500	6	31
	15	20	12705600	18	17		17	36	12999500	20	B	13761000	14	25	13937600	6	36
12621400	16	21		11	72	12717801	17	39	13000700	2	10	13761100	14	26	13937700	6	32
12621500	15	38	12706800	18	30	12718400	17	41	13020200	1	37	13761200	14	27	13937800	6	37
	15	27	12707300	18	27	12718600	17	43	13020800	1	38	13761300	14	28	13937900	6	34
12822500	16	31	12715400	17	28	12719300	17	45	13020800	1	38	13761300	14	28	13937900	6	34
	15	24	12715410	19	1	12730701	17	45	13021900	1	45	13761400	14	29	13938600	6	53
12623200	15	24	12715410	19	1	12731000	17	45/1	13022001	1	36	13761521	14	15	13938700	6	54
12625000	15	29	12715411	19	2	12730723	19	19	13022100			13764900	14	33	13938800	6	44
12625300	15	28	12715412	19	3	12730760	19	11	13022200			13767200	14	21	13938900	6	55
12626300	15	22	12715413	19	4	12734900	17	57	13036000	1	23	13767300	14	30	13999000	20	A
12626600	15	31	12715414	19	5	12735100	17	58	13036100	1	24	13767700	14	32	25704500	18	16
12626700	15	32	12715415	19	6	12735300	17	50	13036600	1	14	13767800	14	34	25707100	18	41
12626800	15	33	12715416	19	6	12735400	17	53	13036700	1	15	13916200	5	11	25902000	20	16
12630201	16	10	12715417	19	6	12735500	17	54	13037000	1	21	13916300	5	11/1	25902100	20	14
12630500	16	11	12715418	19	7	12735750	17	51	13037200	1	22	13917500	11	55/1	25905500	20	17
12633000	16	14	12715419	19	8	12740421	18	49	13037400	1	19	13917800	18	24	25905600	20	18
12633200	16	50	12715420	19	9	12740521	18	10	13037600	1	20	13917820	18	51	26267200	9	29
12633300	16	17	12715421	19	10	12741721	18	50	13038000	1	18	13917900	18	24/1	26706700	18	39
12634000	16	56	12715423	19	12	12743700	18	12	13060100	1	37/1	13918522	11	17	26716504	17	33/1
12634100	16	18	12715424	19	13	12746001	18	11	13060201	3	19	13919600	5	11/2	26735001	17	55
12635201	16	19	12715425	19	14	12747102	18	42	13060401	3	18	13919700	5	11/3	43934000	6	59
12636201	16	23	12715426	19	15	12747200	18	43	13060600	3	23	13932800	6	26	45336802	8	24
12636600	16	26	12715427	19	16	12747420	18	45	13060700	3	20	13932900	6	26/1	45409701	13	35
12637400	16	20	12715428	19	17	12747501	18	46	13060800	3	21	13933000	6	40	45717450	17	40
12638100	15	23	12715429	19	18	12747700	18	44	13060900	3	22	13933100	6	41	45717600	17	38
12638200	16	22	12715430	19	20	12747900	18	47	13071700	3	26	13933400	6	39/2	45918570	11	19
12639601	16	32	12715431	19	21	12749400	12	65	13084100	7	10	13933700	6	38	55103425	5	16
12675405	16	39	12715432	19	22	12760400	14	17	13100200	5	10	13933900	6	39	55127025	5	32
12676000	16	59	12715433	19	23	12761620	14	35	13112402	6	10	13934400	6	39/1	55234700	8	42
12676001	16	38	12715434	19	24	12762500	14	18	13112403	6	10	13934600	6	58	55235000		
12676500	16	58	12715435	19	24/1	12763300	14	19	13146200	4	27	13934700	6	57	55235001		
12676505	16	42	12715436	19	25	12766100	14	20	13147700	4	30	13934800	6	42	55235002		
12677000	16	57	12715437	19	26	12768700	4	48	13211500	9	58	13934900	6	56	55235003		
12677005	16	40	12715438	19	27	12781520			13211600	9	57	13935000	6	29	55236400	9	27
12700200	17	10	12715439	19	28	12781620			13350200	10	21	13935500	6	45	55237800	8	29
12700300	17	11	12715440	19	29	12782480			13354600	10	45	13935700	6	43	55238200	9	24
12700321	18	48	12715441	19	30	12782580			13476000	11	55	13935900	6	46	55251000	9	11



## NUMERICAL INDEX

Order No.	Plate No.	Figure No.	Order No.	Plate No.	Figure No.	Order No.	Plate No.	Figure No.	Order No.	Plate No.	Figure No.	Order No.	Plate No.	Figure No.	Order No.	Plate No.	Figure No.
55434825	12	56	90706746	14	16	92602208	2	15	93760072	13	19	95100315	1	41	95980120	1	47
55436525	12	62	90714051	12	49		5	17	94321049	9	30	95100331	10	12	95980210	8	39
55442300	11	42	90714101	8	40		6	19	94321063	8	41	95100337	12	47	95990037	10	34
55443385	11	43		10	35		11	34	94321072	4	25		11	41		4	47
55478500	11	56	90714123	5	18		12	61	94322215	1	33	95100415	11	12	96508045	10	19
55478600	11	57	90714124	4	48/1		17	35	95004208	10	61	95100483	11	37	96508066	2	11
55551600	11	63	90714195	2	37		18	14	95004210	1	44	95100507	4	23	96508075	2	12
55603000	13	27		8	38		5	29	95021106	1	35	95100521	12	12	96508080	2	13
55603400	13	26		10	33		11	68		3	30		16	24	98020435	4	44
55603500	13	25		1	49		15	26		4	13	15	16	98020535	10	11	
55605600	13	13	90716082	5	24	16	28	6		64	16	16	11		67		
55605700	13	22	90718375	1	28	92602406	12	57	12	64	95100628	3	32	98022455	12	46	
55717000	17	42	91111511	3	13		13	17	13	16	95100676	1	46		4	35	
55741100	18	29	91122714	9	48		9	44	16	44	95100707	15	42	98024310	4	40	
55909400	20	13	91212719	13	30		7	23	4	32	95100715	16	54		14	31	
55901900	20	10	91180707	11	16	12	27	10	20	95100727	15	21	98024310	18	37		
55902400	20	15	91180949	11	66	10	20/1	4	43		16	55		1	34		
55905000	6	33	91181015	18	29	16	47	95021108	11	62	2	14	5	36			
55938585	1	32	91551081	12	20	8	34		8	34	5	14	98024312	6	63		
90118152	9	37/1	91551102	18	28	11	28		12	60	6	18	98024312	11	59		
90118247	16	46	91701232	4	31	18	34		13	33	11	24		12	54		
90271014	10	28	91702355	3	10/1	6	21	17	13	95101231	16	48	98024412	11	22		
90271020	9	54	92201070	10	54	9	17	18	15		17	27		17	34		
90271025	9	45	92201120	8	19	8	30	95021110	5	30	95101430	8	31	98024420	13	32	
90271027	10	29	92201220	8	15	11	11		11	49		12	26		17	12	
90351037	3	25	92201222	8	20	15	15	16	27	95129110	9	15	98024422	12	59		
90353016	1	16	92201225	8	12	16	15	9	40		15	37		17	48		
90353046	12	43	92204228	10	30	4	33	10	37	95500222	7	25	98052325	11	45		
90402535	8	17	92246922	15	41	92701086	12	11	18		33	9		14	98052330	16	43
90403040	10	17		16	53	92701139	16	25	8	35	95500222	15	36	98052335	8	22	
90403249	15	39		10	18	92701148	3	31	12	55		16	36		2	42	
	16	51		92249216	10	38	92701187	12	23	2	28	17	19	98052475	2	33	
90403547	8	21	92249225	10	21	92701252	10	14	8	23	95510318	17	30	98052499	5	13	
90403550	12	35		12	21	92720200	14	12	11	46		3	42		98052550	16	30
90403850	2	25	92254340	10	56	92750062	3	14	12	58	95512060	8	16	98053675	12	25	
	10	58	92256217	8	13	92750082	1	42	14	13		17	15		3	29	
90405368	2	21	92295702	9	41/1	92751103	14	14	17	23	95716280	16	35	98054316	6	65	
90407085	10	51	92602206	5	37	92781061	14	14	18	21		17	16		8	36	
90706090	1	40	92602206	18	52	92850752	11	18	7	28	95716380	16	34	98054418	11	61	
90706150	7	20	92602206	6	66		12	51	16	37		95730260	9		18	2	17
90706163	17	56		11	47	93180060	16	66	17	32	95740171	9	16	3	38		
90706222	12	14		15	34	93450224	18	36	1	50	95780265	15	35	98054425	10	46	
90706250	3	27		16	45	93601022	9	39	11	35		7	24		17	26	
90706252	17	52	18	20	93601026	10	36	95100223	11	26	95780271	6	20	98054425	16	41	
90706490	10	40/1	92602206	17		59	12		19	11		26	95790233		13	18	9
	12	41		92602206	17	59	95100311	15	25	15	25	95790237	13	18			





## ILLUSTRATED PLATES



PLATE 1 MODEL: **V-750 CC AMBASSADOR  
ENGINE**

GROUP: **Cylinder - Cylinder head - Rocker boxes -  
Rocker ass. y - Valves**

Figure No.	Order No.	DESCRIPTION	Quantity	Notes
10	12 02 35 01	Cover, rocker box	2	
11	12 02 37 00	Gasket, rocker box	2	
12	98 62 03 30	Screw, rocker box cover	16	
13	13 02 21 00	Cylinder head, r/h	1	
	13 02 22 00	Cylinder head	1	
14	13 03 66 00	Guide, inlet valve	2	
15	13 03 67 00	Guide, exhaust valve	2	
16	90 35 30 16	Circlip, valve guide	4	
17	12 03 81 00	Semicones, valves	8	
18	13 03 80 00	Top collar, valves	4	
19	13 03 74 00	Spring, outer, valves	4	
20	13 03 76 00	Spring, inner, valves	4	
21	13 03 70 00	Bottom collar	4	
22	13 03 72 00	Washer, bottom collar to cylinder head	4	
23	13 03 60 00	Inlet valve	2	
24	13 03 61 00	Exhaust valve	2	
25	12 03 48 00	Support, rocker arm	2	
26	12 03 02 00	Rocker arm, r/h, c/w bushings	2	
27	12 03 04 00	Rocker arm, l/h, c/w bushings	2	
28	91 11 15 11	Bushing, rocker arm	4	
29	12 03 40 01	Screw, tappet adjusting	4	
30	92 60 25 08	Nut, tappet screw	4	
31	12 03 18 00	Spindle, rocker arm	4	
32	90 11 81 52	Washer, rocker arm	4	
33	94 32 22 15	Spring, rocker arm	4	
34	98 02 43 12	Bolt, rocker spindle	4	
35	95 02 11 06	Washer, rocker spindle bolt	4	
36	13 02 20 01	Gasket, cylinder head	2	
37	13 02 02 00	Cylinder	2	
37/1	13 06 01 00	Cylinder and piston	1	
38	13 02 08 00	Gasket, cylinder base	2	
39	12 02 17 00	Bolt, long, cylinder head	2	
40	90 70 60 90	Seal, cylinder head bolts	12	
41	95 10 03 15	Washer, cylinder head bolts	10	
42	92 75 11 03	Nut, cylinder head bolts	10	
43	12 02 18 00	Bolt, short, cylinder head	4	
44	95 00 42 10	Washer, hold down nut	2	
45	13 02 19 00	Nut, short bolt, pushrod side	2	
46	95 10 07 07	Washer, plug	2	
47	95 98 01 20	Plug, cylinder head	2	
48	98 62 04 35	Screw, intake pipe to cylinder head	2	
49	90 71 60 82	Washer, insulating, intake screw	6	
50	95 10 02 23	Washer, air intake tube	6	
51	12 11 50 02	Air intake tube, r/h	1	
	12 11 50 03	Air intake tube, l/h	1	
52	12 11 55 03	Gasket, air intake, insulating	4	



TAVOLA 1

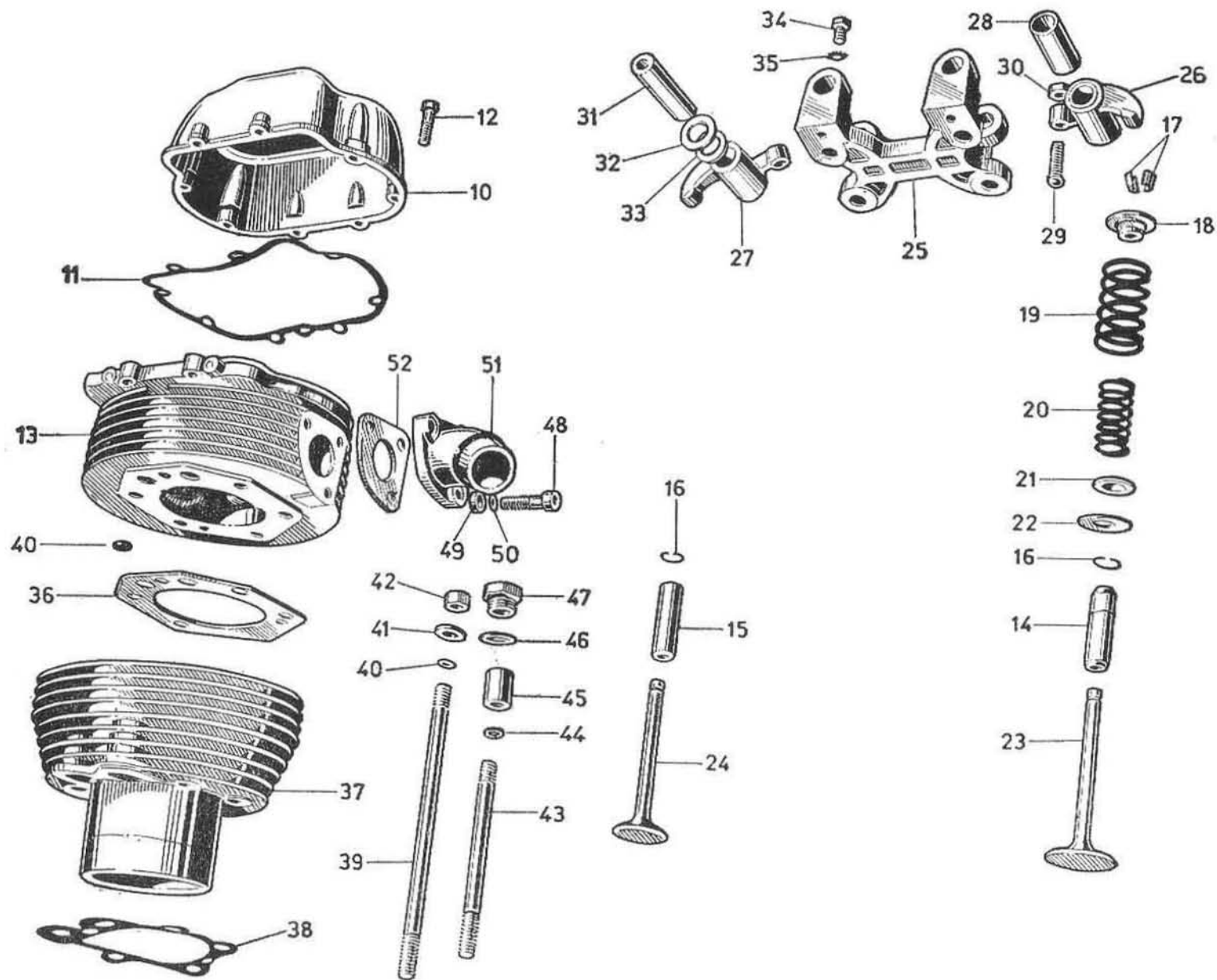




PLATE 2 MODEL: V-750 CC AMBASSADOR  
ENGINE

GROUP: Crankcase and covers

Figure No.	Order No.	DESCRIPTION	Quantity	Notes
10	13 00 07 00	Crankcase	1	
11	96 50 80 66	Bolt, short, gear box fixing	4	
12	96 50 80 75	Bolt, medium, gear box fixing	2	
13	96 50 80 80	Bolt, long, gear box fixing	1	
14	95 10 12 31	Washer, gear box and starter motor fixing bolts	8	
15	92 60 22 08	Nut, gear box fixing bolts	7	
16	12 01 19 00	Flange, c/w journal bearing, timing side	1	
	12 01 19 01	Flange, c/w journal bearing, timing side (u/s .0078")		
	12 01 19 02	Flange, c/w journal bearing, timing side (u/s .015")		
	12 01 19 03	Flange, c/w journal bearing, timing side (u/s .023")		
	12 01 19 04	Flange, c/w journal bearing, timing side (u/s .031")		
17	98 05 44 25	Bolt, flange to crankcase and timing cover	14	
18	12 01 21 00	Lock plate, flange to timing cover nuts	2	
19	12 01 29 00	Lock plate, flange securing nut	1	
20	12 01 14 00	Flange, c/w main bearing, flywheel side	1	
	12 01 14 01	Flange, c/w main bearing, flywheel side (u/s .0078")		
	12 01 14 02	Flange, c/w main bearing, flywheel side (u/s .015")		
	12 01 14 03	Flange, c/w main bearing, flywheel side (u/s .023")		
	12 01 14 04	Flange, c/w main bearing, flywheel side (u/s .031")		
21	90 40 53 68	Seal, on crankshaft, flywheel side	1	Angus 53.68.10
22	12 01 18 00	Gasket, flange, flywheel side	1	
23	12 01 28 00	Lock plate, flywheel side bolt	4	
24	12 00 14 00	Timing cover	1	
25	90 40 38 50	Seal, timing cover	1	Angus 38.50.7
26	98 10 60 28	Screw, short, timing cover	10	
27	98 10 60 43	Screw, long, timing cover	12	
28	95 10 01 30	Washer, timing cover screws, generator belt cover and oil sump	37	
29	12 00 12 00	Gasket, timing cover	1	
30	12 00 16 00	Cover, belt	1	
31	98 10 60 21	Screw, belt cover	3	
32	12 01 89 00	Locating bush	2	
33	98 05 24 75	Bolt, starter motor retaining	1	
34	12 00 35 00	Oil sump	1	
35	12 00 36 00	Gasket, oil sump		
36	12 00 37 01	Plug, oil drain		
37	90 71 41 95	Washer, oil drain and filler plug	2	
38	12 00 49 01	Plug, oil filler	1	
39	12 01 22 00	Pin, main bearing to timing side flange	1	
40	12 01 17 00	Pin, main bearing to flywheel side flange	1	
41	12 01 96 00	Guard plate, oil sump	3	
42	98 05 23 55	Screw, guard plate securing	6	

TAVOLA 2

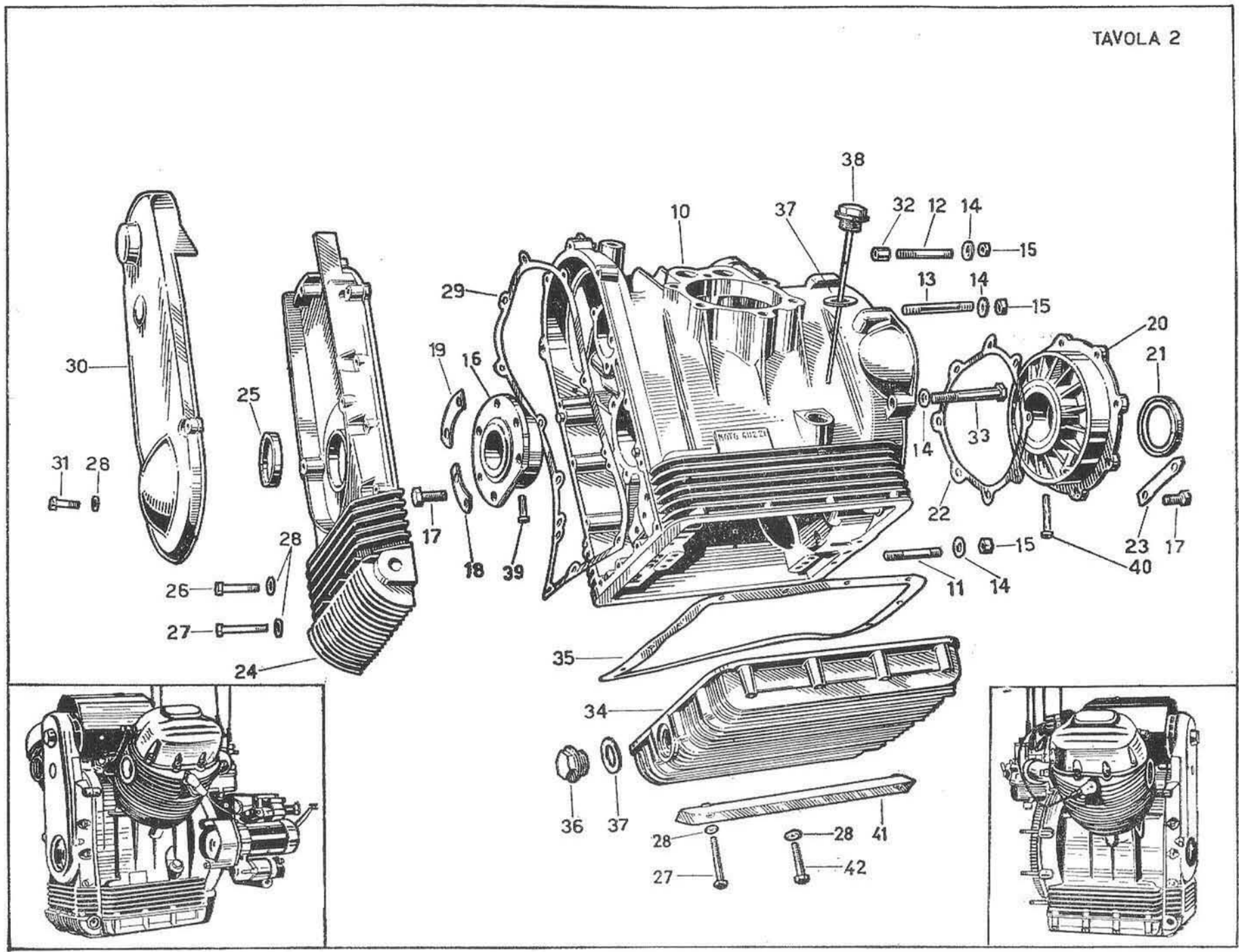




PLATE 3 MODEL: V-750 CC AMBASSADOR  
ENGINE

GROUP: Connecting rods - Crankshaft - Piston -  
Timing gears

Figure No.	Order No.	DESCRIPTION	Quantity	Notes
10	12 06 42 01	Crankshaft	1	
10/1	91 70 23 55	Key, timing gear and pulley	2	
11	12 06 54 00	Plug, crankshaft	1	
12	12 06 15 00	Con-rod, c/w bushing, bolts, nuts and lock-plates	2	
13	91 11 21 24	Bush, small end	2	
14	92 75 00 82	Nut, big end bolts	4	
15	12 06 23 00	Lock plate, big end bolts	4	
16	12 06 22 00	Bolt, big end securing	4	
17	12 06 20 00	Half bearing, big end, standard size	4	
	12 06 20 01	Half bearing, u/s 0.254 mm. (.01")		
	12 06 20 02	Half bearing, u/s 0.508 mm. (.02")		
	12 06 20 03	Half bearing, u/s 0.762 mm. (.03")		
	12 06 20 04	Half bearing, u/s 1.016 mm. (.04")		
18	13 06 04 01	Piston, bare	2	
19	13 06 02 01	Piston, c/w rings, pin and circlip	2	
20	13 06 07 00	Piston ring, compression, top	4	
21	13 06 08 00	Piston ring, compression, center	2	
22	13 06 09 00	Oil scraper	2	
23	13 06 06 00	Oil scraper	2	
24	12 06 12 00	Piston pin	2	
25	90 35 10 37	Circlip	4	
26	13 07 17 00	Gear set, crankshaft, timing and oil pump gears	1	
27	90 70 62 50	Seal, crankshaft gear	1	
28	12 07 40 00	Pulley, generator	1	
29	98 05 43 16	Screw, pulley ass. y securing	3	
30	95 02 11 06	Washer, flange to camshaft and pulley ass. y screw	6	
31	92 70 11 87	Nut, pulley securing screws	2	
32	95 10 06 76	Washer, pulley securing nut	2	
33	12 06 70 00	Flywheel	1	
34	12 06 76 00	Plate, flywheel bolts	3	
35	12 06 77 00	Bolt, flywheel securing	6	
36	12 06 79 00	Ring gear, starter motor	1	
37	95 02 11 08	Washer, ring gear to flywheel	8	
38	98 05 44 25	Bolt, ring gear to flywheel	8	
39	12 05 33 02	Camshaft	1	
40	12 05 40 00	Flange, camshaft	1	
41	98 10 60 21	Screw, flange to camshaft	3	
42	95 51 20 60	Pin, camshaft wheel	1	
43	12 04 58 00	Tappet, standard size	4	
	12 04 58 01	Tappet, o/s 0.05 mm. (.0019")		
	12 04 58 02	Tappet, o/s 0.10 mm. (.0039")		
44	12 04 50 01	Push rod, complete	4	

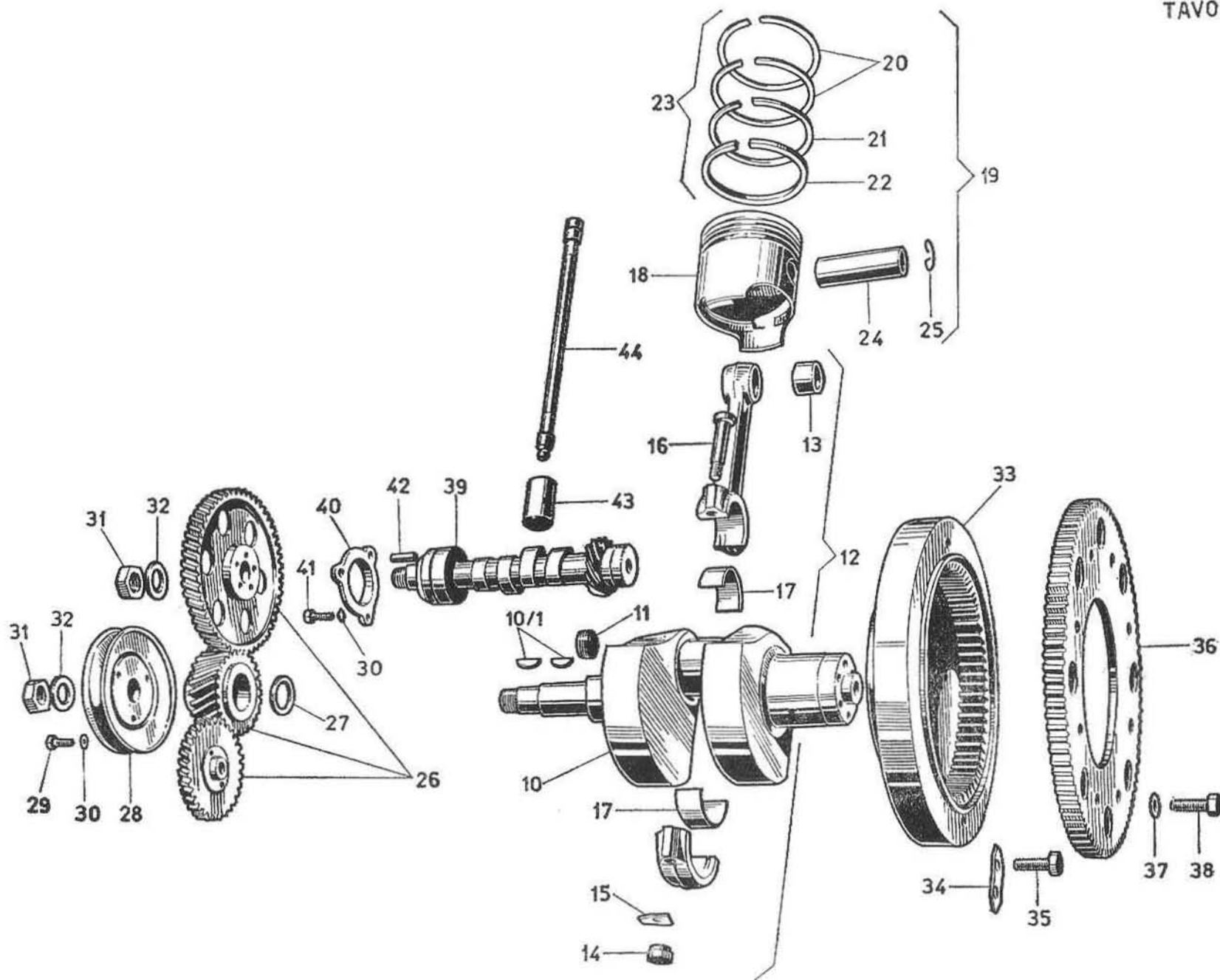




PLATE 4 MODEL: V-750 CC AMBASSADOR  
ENGINE

GROUP: Oil pump - Oil lines - Filter - Breather  
unit - Oil pressure solenoid

Figure No.	Order No.	DESCRIPTION	Quantity	Notes
10	12 00 72 00	Breather tube	1	
11	12 00 76 00	Washer, breather tube	1	
12	98 10 60 15	Screw, breather tube and return pipe band	3	
13	95 02 11 06	Washer, breather tube and band securing screws, and bottom plate bolt	5	
14	12 00 62 00	Tube, oil return from breather box	1	
15	12 00 65 00	Band, oil return tube	1	
16	12 00 66 00	Hollow bolt, return pipe securing	1	
17	12 00 64 00	Washer, hollow bolt	2	
18	12 15 84 00	Oil pipe	1	
19	12 15 91 00	Washer, oil pipe	2	
20	98 05 44 30	Bolt, oil pipe securing	2	
21	12 15 92 00	Lock plate, oil pipe screws	2	
22	12 15 90 00	Plug, oil relief valve	1	
23	95 10 05 07	Washer	1	
24	12 15 07 00	Bottom plate	1	
25	94 32 10 72	Spring	1	
26	12 15 09 00	Plunger, oil relief valve	1	
27	13 14 62 00	Oil pump, complete	1	
28	12 14 78 00	Spindle, gear driving	1	
29	12 14 85 00	Gear, driven	1	
30	13 14 77 00	Gear, driving	1	
31	91 70 12 32	Key, oil pump driving gear	1	
32	95 02 11 08	Washer, driving gear nut	1	
33	92 70 10 86	Nut, driving gear nut	1	
34	98 10 80 42	Screw, short, oil pump securing	2	
35	98 02 24 55	Screw, long, oil pump securing	2	
36	12 14 98 00	Lock plate, pump securing screws	2	
37	12 15 22 00	Oil cleaner, complete	1	
38	12 15 30 00	Gauze, oil filter	1	
39	12 15 26 00	Bottom plate	1	
40	98 02 43 10	Bolt, plate securing	2	
41	12 15 75 00	Line, flexible, return pipe	1	
41/1	12 10 84 00	Band, recovery pipe to flexible line	1	
42	12 15 32 00	Washer	1	
43	95 02 11 08	Washer, spring, filter screw	1	
44	98 02 04 35	Screw, filter securing	1	
45	12 15 36 00	Pipe, oil delivery to cylinder heads	1	
46	12 15 42 00	Washer, oil pressure solenoid	1	
47	95 99 00 37	Screw, oil pipes to cylinder heads	3	
48	12 76 87 00	Oil pressure solenoid	1	
48/1	90 71 41 24	Seal, oil pressure solenoid	1	
49	12 15 76 00	Tube, vent	1	
49/1	12 20 10 00	Band, breather tube	1	
50	12 15 57 01	Oil breather assembly, complete	1	
51	12 15 74 00	Tube, flexible, centre	1	
52	12 15 78 00	Band, breather tube to flexible pipe	1	

TAVOLA 4

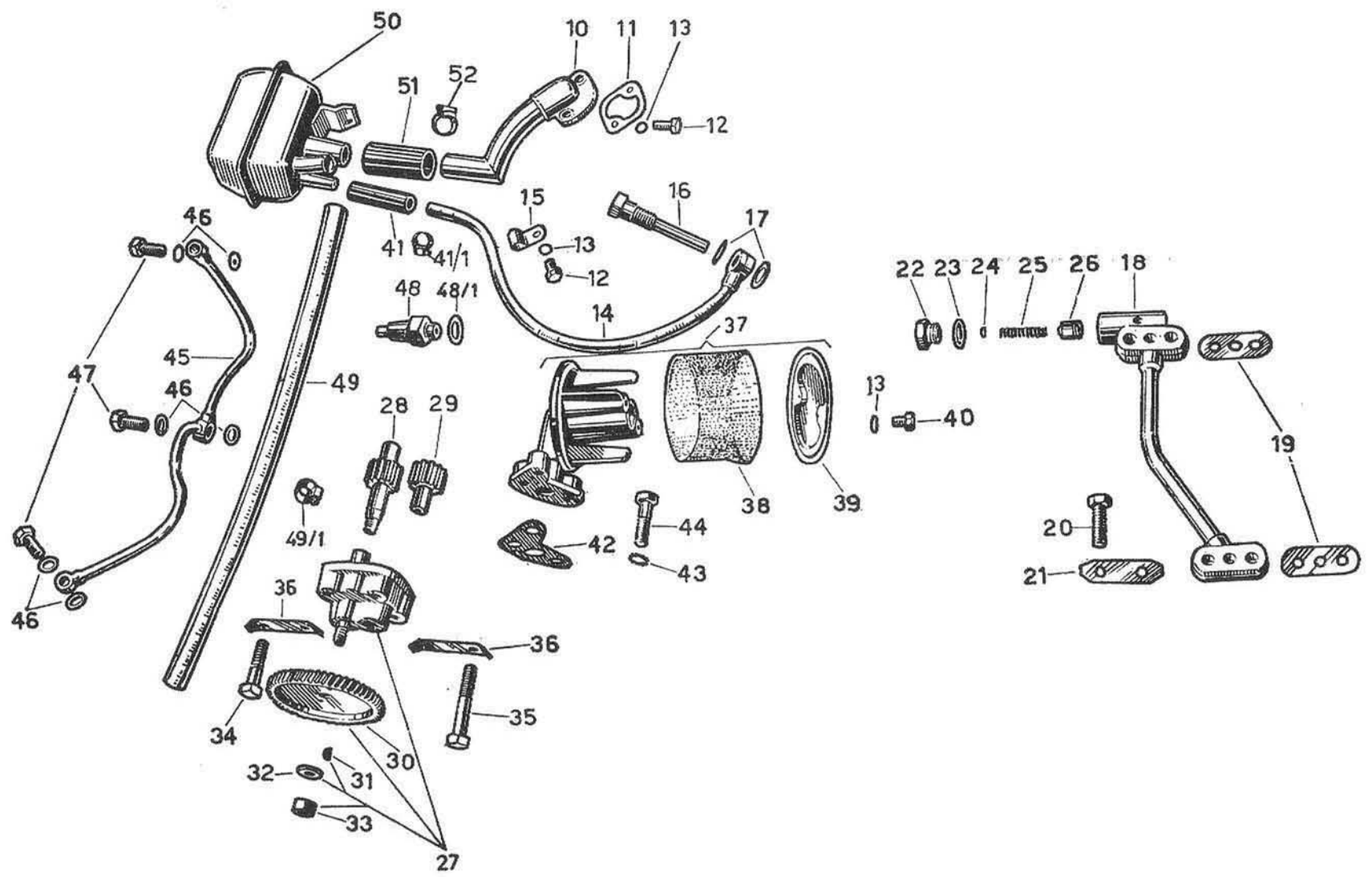




PLATE 5 MODEL: V-750 CC AMBASSADOR  
ENGINE

GROUP: Fuel tank - Exhaust pipes - Mufflers

Figure No.	Order No.	D E S C R I P T I O N	Quantity	Notes
10	13 10 02 00	Tank, fuel tank	1	
11	13 91 62 00	Decal, r/h, « Moto Guzzi »	1	
11/1	13 91 63 00	Decal, l/h, « Moto Guzzi »	1	
11/2	13 91 96 00	Decal, r/h, eagle, large, golden	1	
11/3	13 91 97 00	Decal, l/h, eagle, large, golden	1	
11/4	12 91 92 00	Decal, « Use Shell oil »	1	
12	12 10 39 00	Filler cap, tank	1	
13	98 05 24 99	Screw, tank securing	2	
14	95 10 12 31	Washer, taking securing screw	2	
15	12 10 35 00	Bushing, rubber block	4	
16	55 10 34 25	Block, rubber	4	
17	92 60 22 08	Nut, tank securing screws	2	
18	90 71 41 23	Washer, tap	2 ÷ 4	
19	12 10 54 01	Tap, fuel	2	
20	12 10 65 01	Fuel line, complete	1	
21	12 10 84 00	Band, fuel line	4	
22	12 12 09 00	Exhaust pipe, r/h	1	
23	12 12 09 05	Exhaust pipe, l/h	1	
24	90 71 83 75	Gasket, exhaust pipe	2	
25	12 12 02 00	Lock-nut, exhaust pipe	2	
26	12 12 39 00	Tube, exhaust pipe connection	1	
27	12 12 34 00	Band, exhaust pipe to muffler	2	
28	99 10 50 80	Screw, exhaust pipe to muffler	4	
29	92 60 22 10	Nut, muffler screws	2	
30	95 02 11 10	Washer, muffler screws	2	
31	98 05 45 22	Screw, muffler securing	2	
32	55 12 70 25	Band, connection tube	2	
33	12 12 30 20	Muffler, r/h	1	
34	12 12 29 20	Muffler, l/h	1	
35	12 12 25 00	Band, exhaust pipe retaining	2	
36	98 02 43 12	Screw, exhaust pipe band securing	2	
37	92 60 22 06	Nut, exhaust pipe band screw	2	



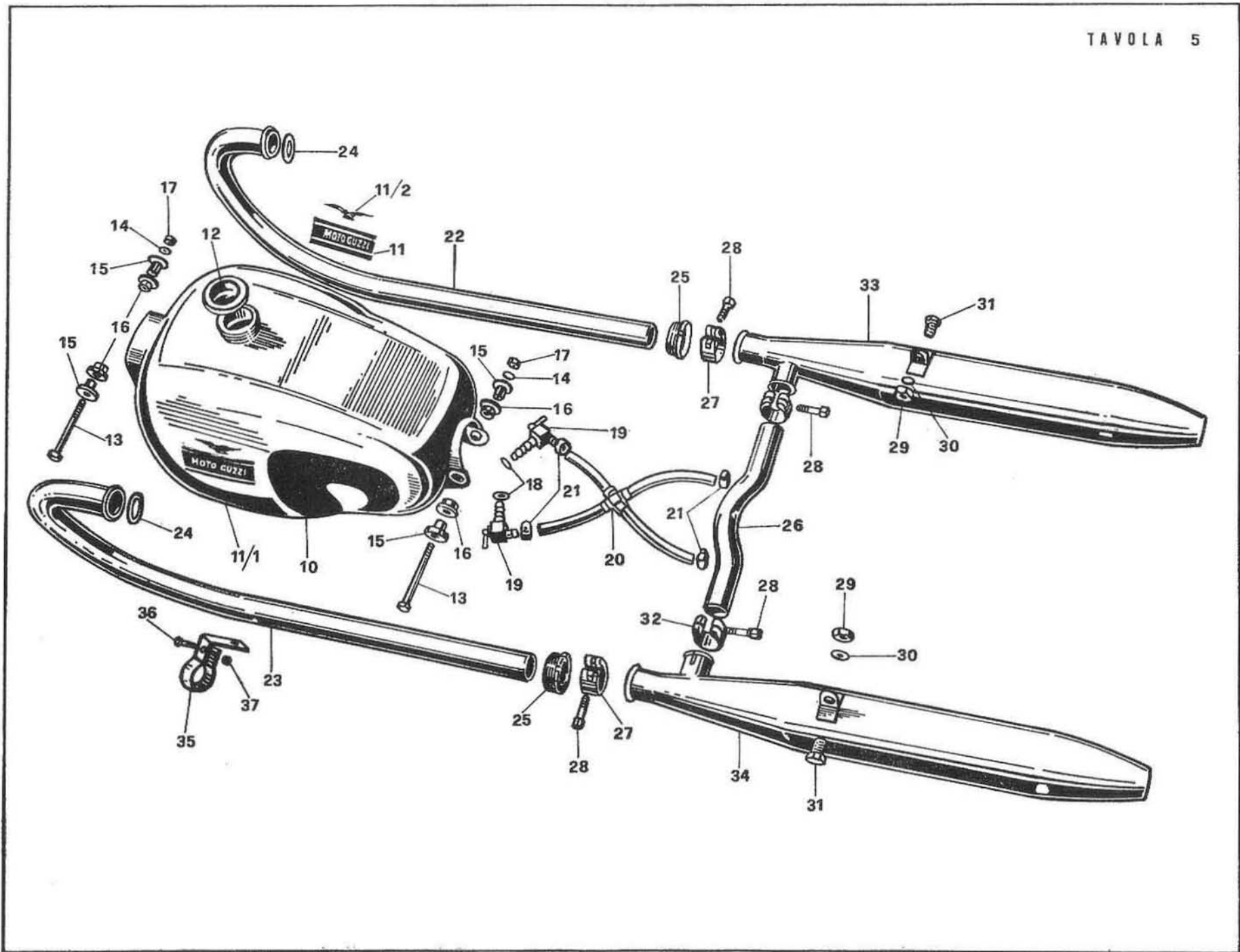


Figure No.	Order No.	DESCRIPTION	Quantity	Notes
10	13 11 24 02	Carburetor, r/h (Dell'Orto VHB 29 CD)	1	3512 Dell'Orto 3511
	13 11 24 03	Carburetor, l/h (Dell'Orto VHB 29 CS)	1	
11	12 11 44 01	Air intake tube	2	
12	12 60 75 00	Throttle cable, handlebar to adaptor	1	
13	12 60 79 00	Adaptor, two-ways	1	
14	12 80 71 00	Cover, adaptor, near end	2	
15	12 80 70 00	Plunger, adaptor	2	
16	12 80 72 00	Cover, adaptor, far end	2	
17	98 10 80 15	Screw, adaptor securing	1	
18	95 10 12 31	Washer, adaptor screw	1	
19	92 60 22 08	Nut, adaptor screw	1	
20	95 79 02 33	Thumb screw, air and throttle cable	2	
21	92 70 00 71	Lock-nut, cable adjusting screw	2	
22	12 60 83 00	Cable, air, handlebar to adaptor	1	
23	12 11 70 01	Cable, air, carburetor to adaptor	2	
24	12 11 75 01	Cable, throttle, carburetor to adaptor	2	
25	13 93 70 00	Cap, protection, control cables	2	1476.00.06
26	13 93 28 00	Screw, mixture chamber cover	2	3978.00.36
26/1	13 93 29 00	Washer, spring, air and gas screw	2	5011.00.23
27	12 93 72 00	Screw, air and throttle adjusting	2	1104.00.37
28	12 93 73 00	Nut, air and throttle cable screw	2	1691.00.27
29	13 93 50 00	Cover, mixing chamber	1	7338.00.53
30	13 93 71 00	Spring, throttle slide	1	7448.00.61
31	13 93 75 00	Throttle slide	1	7454.60.64
32	13 93 77 00	Taper needle, V type	1	7455.05.08
33	55 93 85 85	Stop dowel, taper needle	1	1407.00.21
34	13 93 79 00	Screw, air valve cap, securing	1	7745.00.36
35	13 93 74 00	Cover, air valve	1	7637.00.06
36	13 93 76 00	Spring, air valve	1	4043.00.61
37	13 93 78 00	Air valve	1	3238.00.64
38	13 93 37 00	Bolt, chamber fixing	1	7880.00.34
39	13 93 39 00	Washer, chamber fixing bolt	1	4057.00.30
39/1	13 93 44 00	Body, float chamber	1	7881.00.96
39/2	13 93 34 00	Gasket, float chamber	1	7451.00.30
40	13 93 30 00	Float	1	7450.00.80
41	13 93 31 00	Pin, float	1	7346.00.22
42	13 93 48 00	Needle, fuel closing	1	4559.00.05
43	13 93 57 00	Main jet	1	1486.145.02
44	13 93 88 00	Accelerator pump	1	7879.00.32
		Pump body	1	7831.00.64
		Pump plunger	1	7185.00.03
		Ball	1	7832.00.33
		Valve housing	1	7882.00.61
		Plunger spring	1	7828.00.34
		Jet holder	1	

TAVOLA 6

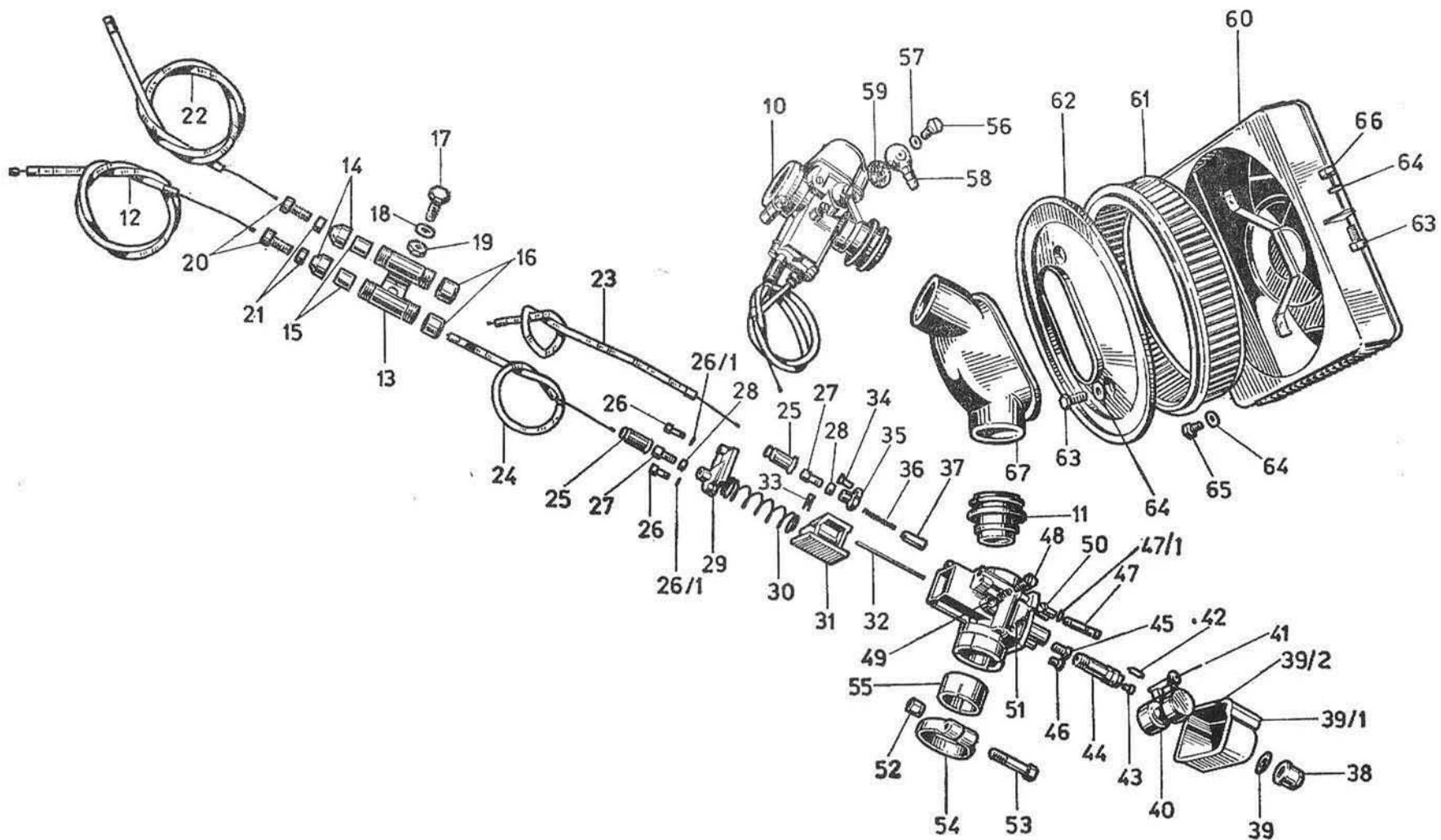




PLATE 6 MODEL: V-750 CC AMBASSADOR  
ENGINE

GROUP: Carburetor - Control cables - Air cleaner

Figure No.	Order No.	DESCRIPTION	Quantity	Notes
45	13 93 55 00	Atomizer	1	7878.265.28
46	13 93 59 00	Pilot jet	1	1486.45.02
47	13 93 60 00	Air jet	1	7746.80.02
47/1	13 93 61 00	Washer, air jet	1	6173.00.30
48	13 93 66 00	Screw, throttle slide adjusting	1	7673.00.37
49	13 93 67 00	Spring, throttle slide screw	1	4670.00.61
50	13 93 62 00	Screw, idling	1	7449.00.37
51	13 93 63 00	Spring, idling screw	1	7446.00.61
52	13 93 68 00	Nut, sleeve securing screw	1	1751.00.27
53	13 93 86 00	Screw, sleeve securing	1	1750.00.36
54	13 93 87 00	Ring, sleeve retainer	1	1749.00.50
55	13 93 89 00	Insulating bush	1	7453.00.62
56	13 93 49 00	Screw, cap securing	1	4568.00.36
57	13 93 47 00	Washer, adaptor screw	1	4052.00.30
58	13 93 46 00	Adaptor, fuel line	1	6273.00.38
59	43 93 40 00	Fuel filter	1	6109.00.29
60	12 11 32 00	Filter box	1	
61	12 11 36 00	Element, filter	1	Retex LI - 2604 (FISPA)
62	12 11 34 01	Cover, filter box	1	
63	98 02 43 12	Screw, filter box cover	3	
64	95 02 11 06	Washer, filter box cover screw	5	
65	98 05 43 16	Screw, bottom box securing	2	
66	92 60 22 06	Nut, top box securing	1	
67	12 11 43 01	Rubber sleeve	1	

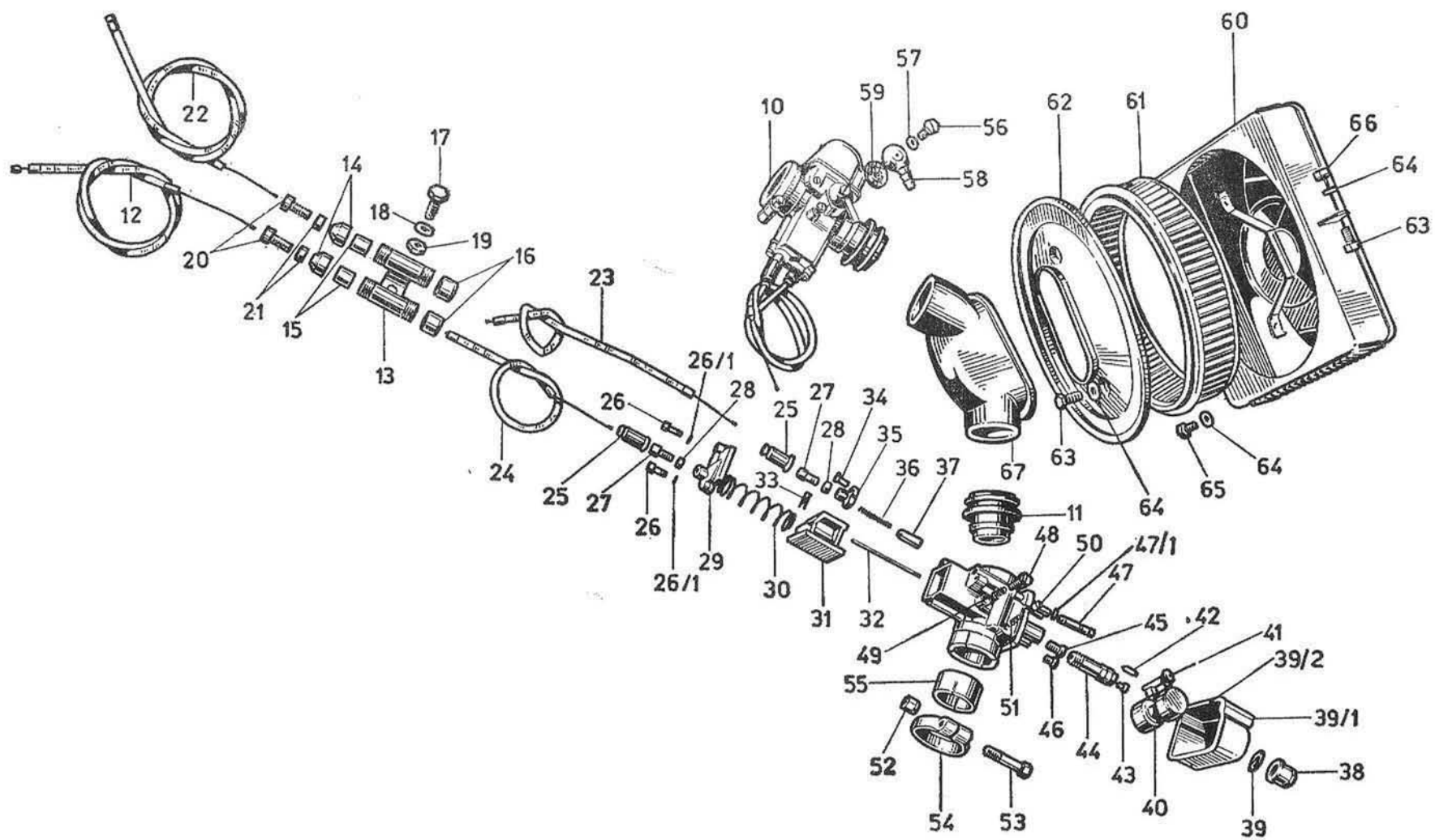




PLATE 7 MODEL: V-750 CC AMBASSADOR  
PRIMARY DRIVE

GROUP: Clutch and controls

Figure No.	Order No.	DESCRIPTION	Quantity	Notes
10	13 08 41 00	Spring, clutch	8	
11	12 08 29 00	Pressure plate, clutch	1	
12	12 08 44 00	Clutch plate, complete	2	
13	12 08 23 00	Intermediate plate, clutch	1	
14	12 08 28 00	Washer, clutch plate	1	
15	12 08 57 01	Rod, clutch pressure plate	1	
16	12 08 59 01	Tube, rubber	1	
17	12 08 60 01	Inner body	1	
18	12 08 70 00	Cage, complete	1	
19	12 08 61 01	Outer body	1	
20	90 70 61 50	Seal	1	
21	12 09 02 01	Lever, clutch operating on gear box	1	
22	12 03 40 01	Screw, adjusting	1	
23	92 60 25 08	Nut, lever adjusting screw	1	
24	95 78 02 71	Pin, clutch lever to gear box	1	
25	95 50 02 22	Split pin, lever pin securing	1	
26	12 09 30 01	Cable, clutch	1	
27	12 00 65 00	Band, clutch cable	1	
28	95 10 01 37	Washer	1	

TAVOLA 7

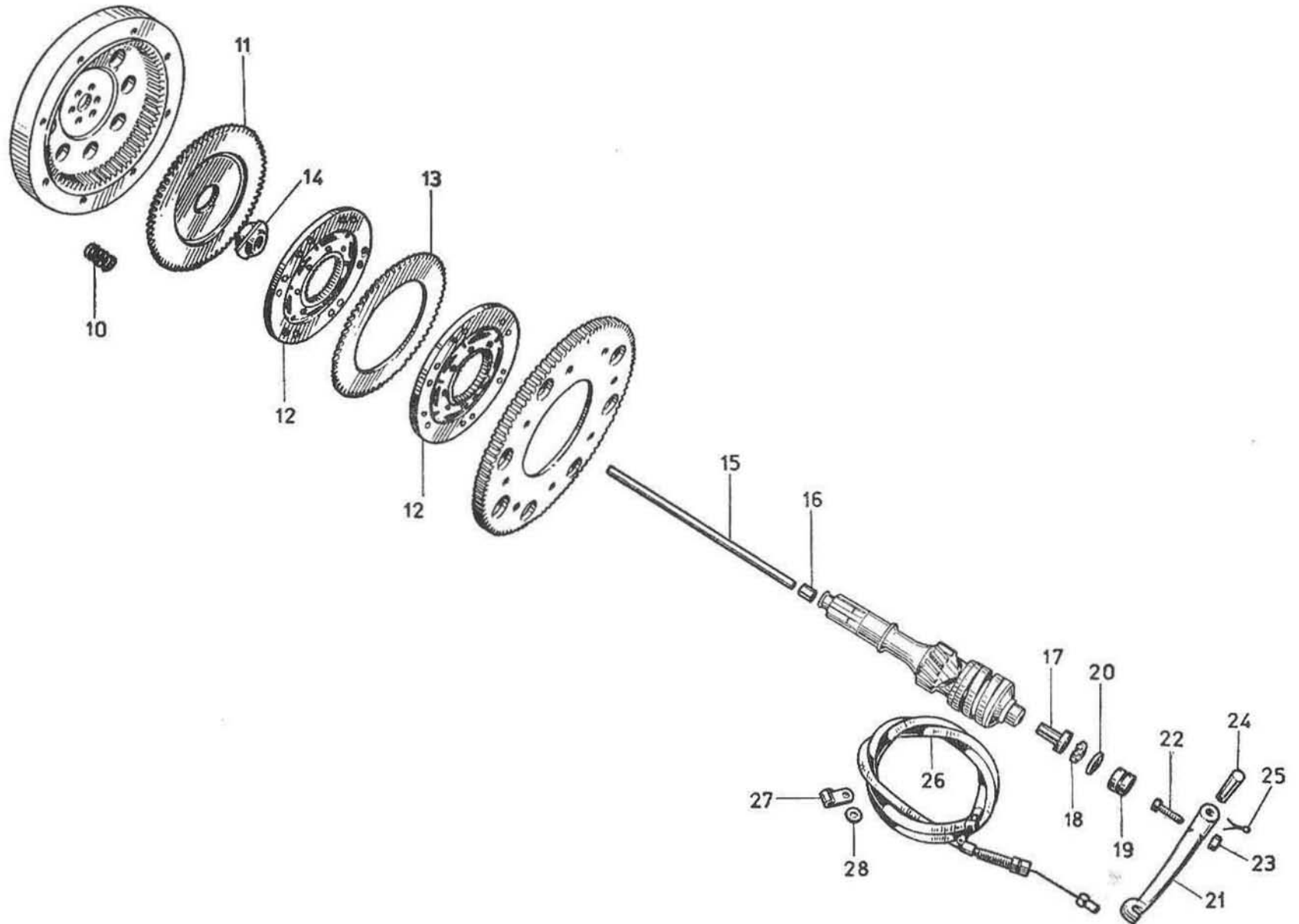




PLATE 8 MODEL: V-750 CC AMBASSADOR  
PRIMARY DRIVE

GROUP: Gear box and covers

Figure No.	Order No.	DESCRIPTION	Quantity	Notes
10	12 20 02 00	Gear box	1	
11	12 20 08 01	Cover, gear box	1	
12	92 20 12 25	Bearing, in gear box for clutch shaft	1	25x52x15 (RIV 2A)
13	92 25 62 17	Bearing, in gear box for main shaft	1	17x35x15 (RIV NAS 17)
14	12 20 07 00	Bottom plate, in gear box for layshaft	1	
15	92 20 12 20	Bearing, in gear box for layshaft and in box cover for main shaft	2	20x47x14 (RIV 1 A20)
16	95 51 20 81	Locating pin	2	
17	90 40 25 35	Seal	1	Angus 25x35x7
18	12 20 11 00	Gasket, gear box cover	1	
19	92 20 11 20	Bearing, in gear box cover for clutch shaft	1	20x42x12 (RIV ELL 20)
20	92 20 12 22	Bearing, in gear box cover for layshaft	1	22x50x14 (RIV 1A 22)
21	90 40 35 47	Seal, cover, layshaft	1	Angus 35x47x7
22	98 05 23 35	Screw, gear box cover fixing	10	
23	95 10 01 30	Washer, gear box cover screws, selector cover, and contact breaker plate	17	
24	45 33 68 02	Grommet	1	
25	12 20 14 00	Cover, selector	1	
26	12 20 15 00	Gasket, selector cover	1	
27	98 10 60 21	Screw, short, cover securing	4	
28	98 10 60 55	Screw, long, cover securing	1	
29	55 23 78 00	Adjusting screw	1	
30	92 70 01 22	Nut, adjusting screw	1	
31	95 10 14 30	Washer, adjusting screw	1	
32	12 20 72 00	Neutral indicator unit, complete	1	
33	12 20 77 00	Washer, indicator unit	1	
34	92 60 82 05	Nut, indicator securing	2	
35	95 10 00 56	Washer, indicator nut	2	
36	98 05 43 16	Screw, indicator to gear box	2	
37	12 00 37 01	Plug, oil filler	1	
38	90 71 41 95	Gasket, oil filler plug	1	
39	95 98 02 10	Plug, level and drain	2	
32/1	12 23 53 00	Plug, selector pawl drum	1	
40	90 71 41 01	Washer, oil level and drain plug and selector pawl	3	
41	94 32 10 63	Spring, selector pawl	1	
42	55 23 47 00	Pawl, selector drum	1	



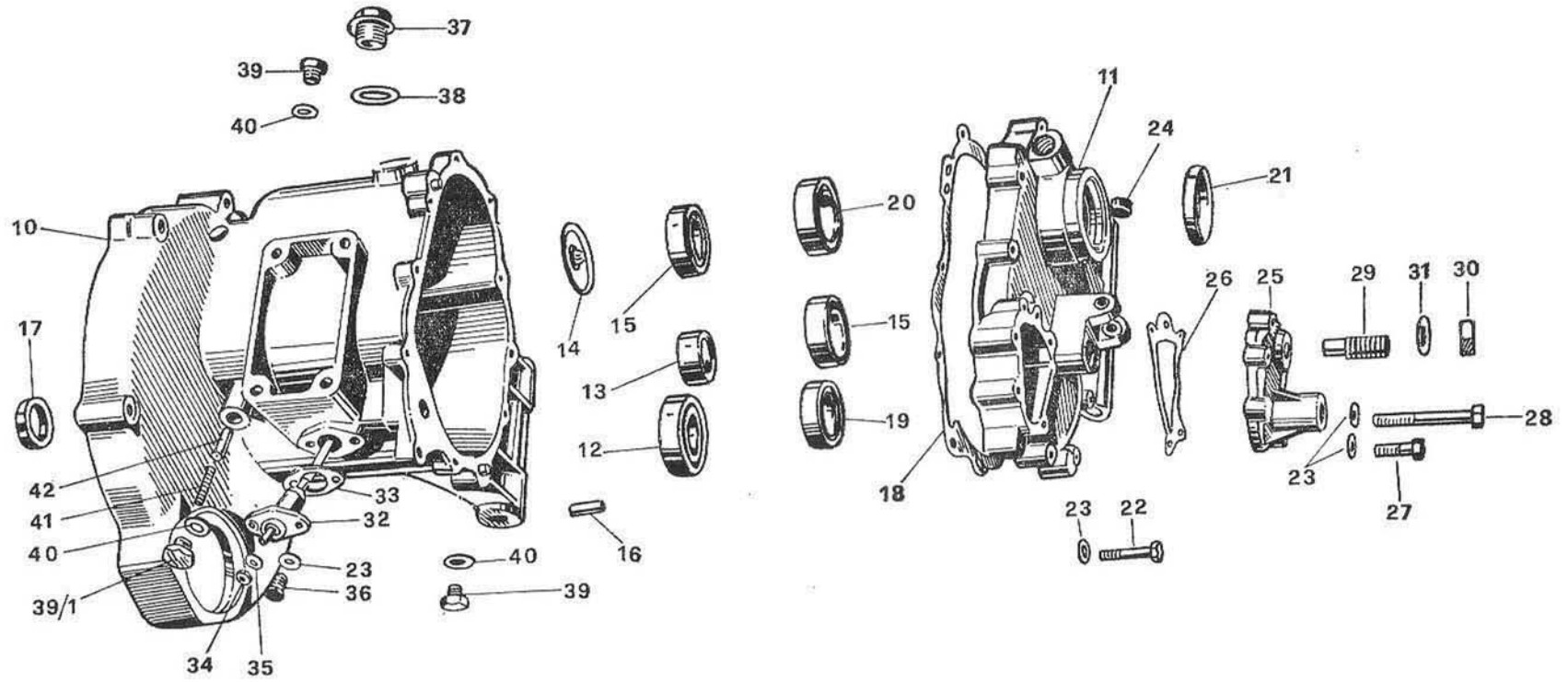




PLATE 9 MODEL: V-750 CC AMBASSADOR  
PRIMARY DRIVE

GROUP: Gear box - Shafts - Controls

Figure No.	Order No.	DESCRIPTION	Quantity	Notes
10	12 25 09 05	Pedal, gearshift, l/h	1	
10/1	12 25 09 06	Pedal, gearshift, rocker type, l/h	1	on request
11	55 25 10 00	Rubber, gearshift pedal	1	
12	98 05 23 25	Screw, gearshift pedal	1	
13	12 25 11 05	Shaft, c/w lever, l/h operation	1	
14	95 50 02 22	Cotter pin, gearshift operating rod	2	
15	95 12 91 10	Washer, gearshift rod pins	2	
16	95 78 02 65	Pin, gearshift control rod	2	
17	92 70 00 73	Nut, adjusting, on rod	1	
18	95 74 01 71	Fork, gearshift rod	2	
19	12 25 79 01	Rod, gearshift	1	
20	12 25 78 01	Rod, c/w forks	1	
21	98 10 60 21	Screw, lever to crankcase	1	
22	12 25 82 01	Lever, gearshift operating	1	
23	12 23 68 00	Starter pin	1	
24	55 23 82 00	Spring, starter pin return	1	
25	12 23 85 01	Camplate	1	
26	12 23 44 00	Drum, gear selection	1	
27	55 23 64 00	Body, inner, selector	1	
28	12 23 79 00	Plunger, r/h, selector	1	
28/1	12 23 80 00	Plunger, l/h, selector	1	
29	26 26 72 00	Pawl, selector plunger	2	
30	94 32 10 49	Spring, plunger	2	
31	12 23 43 00	Rod, selector drum	1	
32	55 23 50 00	Shim, 0.6 mm. (.023")	}	1
	55 23 50 01	Shim, 0.8 mm. (.031")		
	55 23 50 02	Shim, 1 mm. (.039")		
	55 23 50 03	Shim, 1.2 mm. (.047")		
33	12 20 20 00	Cup, oil pick up	1	
34	12 23 24 00	Shaft, fork operating	1	
35	12 23 05 00	Fork, gear selector	2	
36	12 21 05 02	Main shaft, gear box	1	
37	12 21 10 00	Washer, thrust, main shaft, high gear end	2	
37/1	90 11 82 47	Seal, intermediate, main shaft	1	
38	12 21 36 00	Layshaft	1	
39	93 60 10 22	Lock ring, layshaft	1	
40	95 02 80 22	Washer, safety, lock ring	1	
41	12 21 55 00	Spacer	1	
41/1	92 29 57 02	Ball, speedo gear retaining	1	
42	12 21 43 00	Washer, adjusting	1	
43	12 21 40 02	Gear, 1st speed, c/w bushing	1	
44	91 21 27 19	Bushing, 1st speed gear	1	
45	90 27 10 27	Circlip, layshaft	3	Seeger 27 e
45/1	12 21 46 00	Washer, thrust, circlip to bush	2	

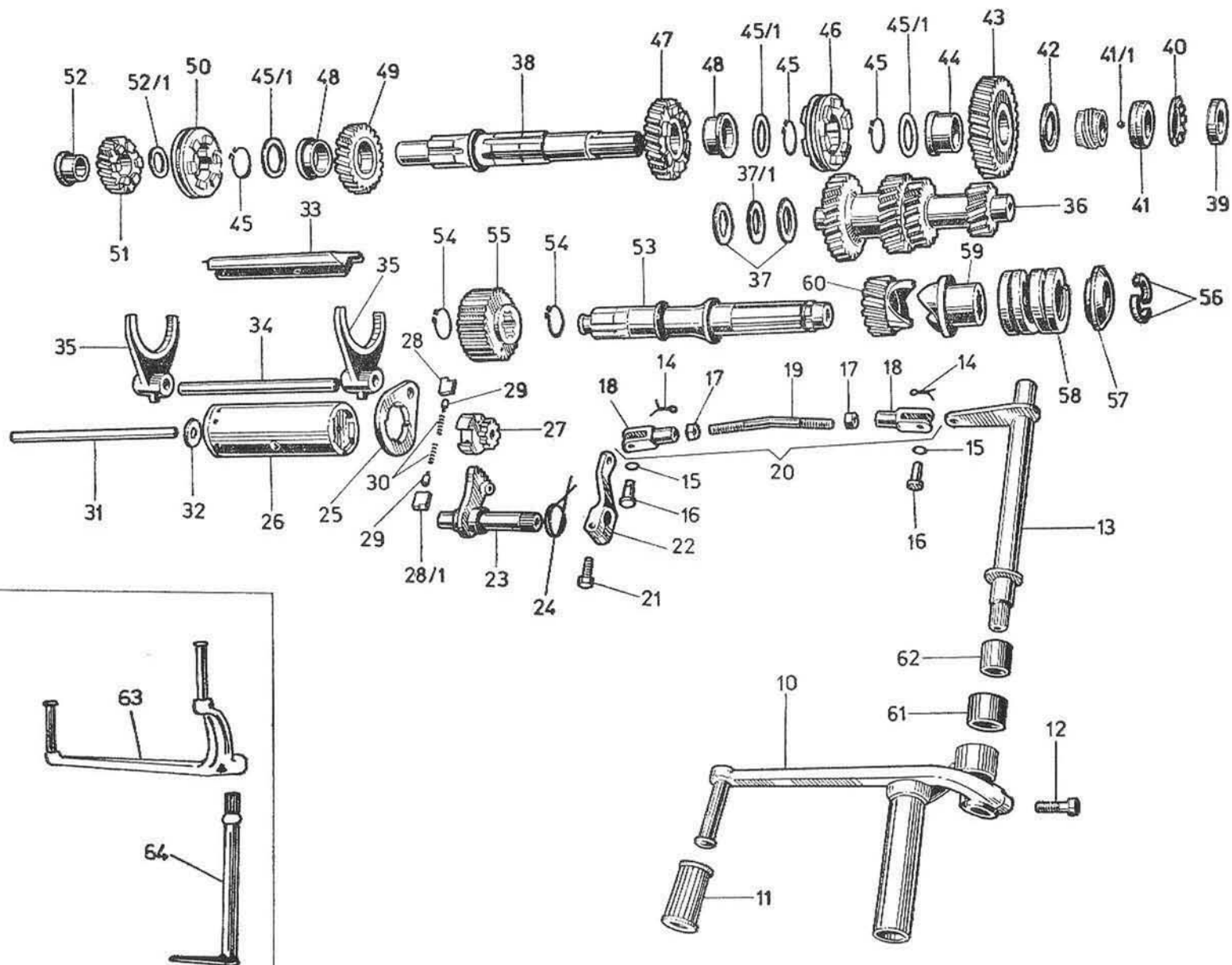




PLATE 9 MODEL: V-750 CC AMBASSADOR  
PRIMARY DRIVE

GROUP: Gear box - Shafts - Controls

Figure No.	Order No.	DESCRIPTION	Quantity	Notes
46	12 23 07 01	Sleeve, sliding, 1st and 2nd speed	1	
47	12 21 44 01	Gear, 2nd speed, c/w bushing	1	
48	91 12 27 14	Bushing, 2nd and 3rd speed gear	2	
49	12 21 47 01	Gear, 3rd speed c/w bushing	1	
50	12 23 15 01	Sleeve, sliding, 3rd and high gear	1	
51	12 21 51 01	Gear, top	1	
52	12 21 53 01	Bush, floating, high speed gear	1	
52/1	12 21 54 00	Washer, thrust, bush to shaft	1	
53	12 21 07 01	Shaft, clutch	1	
54	90 27 10 25	Circlip, clutch inner body	2	Seeger 25 e
55	12 08 18 01	Body, inner, clutch	1	
56	12 21 17 00	Semi collar, cush drive plate	2	
57	13 21 16 00	Plate, cush drive	1	
58	13 21 15 00	Spring, cush drive	1	
59	12 21 12 00	Sliding muff	1	
60	12 21 11 01	Counter gear, clutch shaft	1	
61	12 44 21 05	Bush, guiding, operating shaft	1	
62	12 44 19 05	Bush, inner, operating shaft	1	
63	12 25 09 00	Lever, gearshift, r/h	1	
64	12 25 11 00	Lever shaft, r/h operation	1	

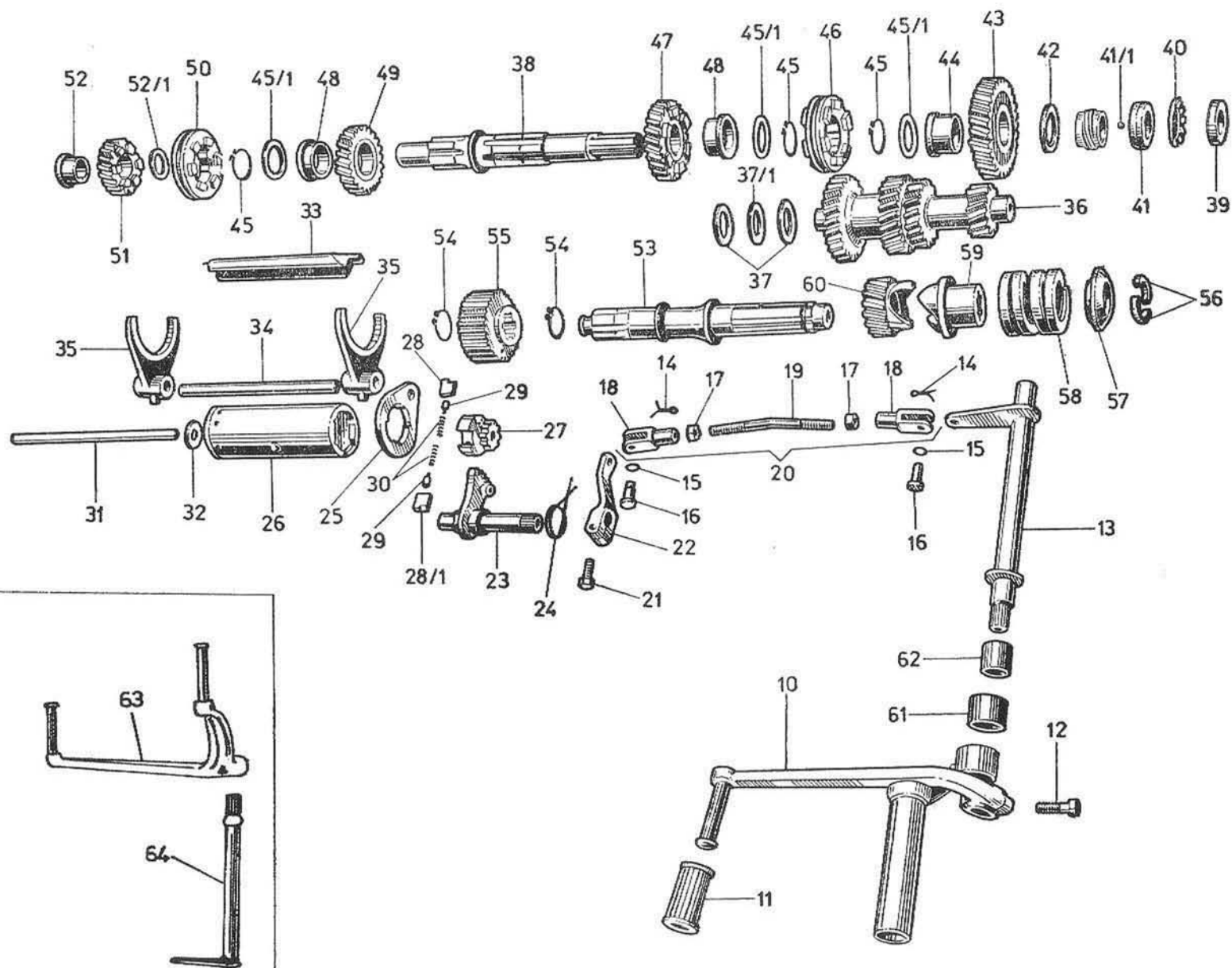




PLATE 10 MODEL: **V-750 CC AMBASSADOR**  
**REAR WHEEL DRIVE**

GROUP: **Rear Fork - Rear drive box - Drive shaft -  
 Bevel gear**

Figure No.	Order No.	DESCRIPTION	Quantity	Notes
10	12 54 02 00	Rear fork	1	
11	98 02 05 35	Screw, rear fork clamp	1	
12	95 10 03 31	Washer, clamp screw	1	
13	12 54 78 00	Cap nut, rear fork to frame	2	
14	92 72 02 00	Nut, fork spindle	2	
15	12 54 72 00	Spacer	2	
16	12 54 70 00	Spindle, rear fork support	2	
17	90 40 30 40	Seal, rear fork spindle	2	Angus 30x40x7
18	92 24 92 16	Bearing, taper roller	2	17x40x12 (RIV 01/02/5010)
19	96 50 80 45	Bolt, drive box to swing arm	4	
20	95 02 11 08	Washer, drive box bolts	4	
21	13 35 02 00	Rear wheel drive, complete	1	
22	12 54 80 00	Gaiter, rubber	1	
23	12 54 82 01	Band, large, gaiter to drive box	1	
24	12 54 84 01	Band, small, gaiter to drive box	1	
25	12 32 80 00	Double joint, layshaft to drive shaft	1	
26	12 32 63 00	Drive shaft	1	
27	12 32 77 00	Sleeve, drive shaft and bevel drive	1	
28	90 27 10 20	Seal, drive shaft and bevel gears	3	Seeger 20 e
29	90 27 20 58	Circlip	1	58 i
30	92 20 42 28	Bearing, ball, rear fork	1	28x58x16 (RIV ALN 28)
31	12 35 03 00	Rear drive box	1	
32	12 00 37 01	Oil filler plug, drive box	1	
33	90 71 41 95	Gasket, oil filler plug	1	
34	95 98 02 10	Plug, oil level and drain	2	
35	90 71 41 01	Washer, oil level and drain plug	2	
36	93 60 10 26	Lock ring, bevel gear retaining	1	SKF-KM5
37	95 02 80 25	Washer, safety, lockring	1	SKF-MB5
38	92 24 92 25	Bearing, taper roller in housing	2	25x52x16,25 (RIV 01/02/7205)
39	12 35 24 00	Housing, bearing	1	
40	12 35 26 00	Gasket, drive box to bearing housing	1	
40/1	90 70 64 90	Seal, rear drive box	1	
41	12 35 29 00	Gasket, bearing housing to rear fork	1	
42	12 35 51 00	Distance piece, bearings	1	
43	12 35 52 02	Shim, spacer to bearing	1 ÷ 17	(0.1 mm. = .0039")
	12 35 52 03	Shim, bevel gears spacers	6 ÷ 14	(.15 mm. = .0059")
44	12 35 53 01	Spacer, bevel set	1 ÷ 2	(mm 1)
	12 35 53 02	Spacer, bevel set	1 ÷ 2	(mm 1,2)
	12 35 53 03	Spacer, bevel set	1 ÷ 2	(mm 1,5)
45	13 35 46 00	Bevel gear set	1	
46	98 05 44 25	Bolt, flange to drive box	8	

TAVOLA 10

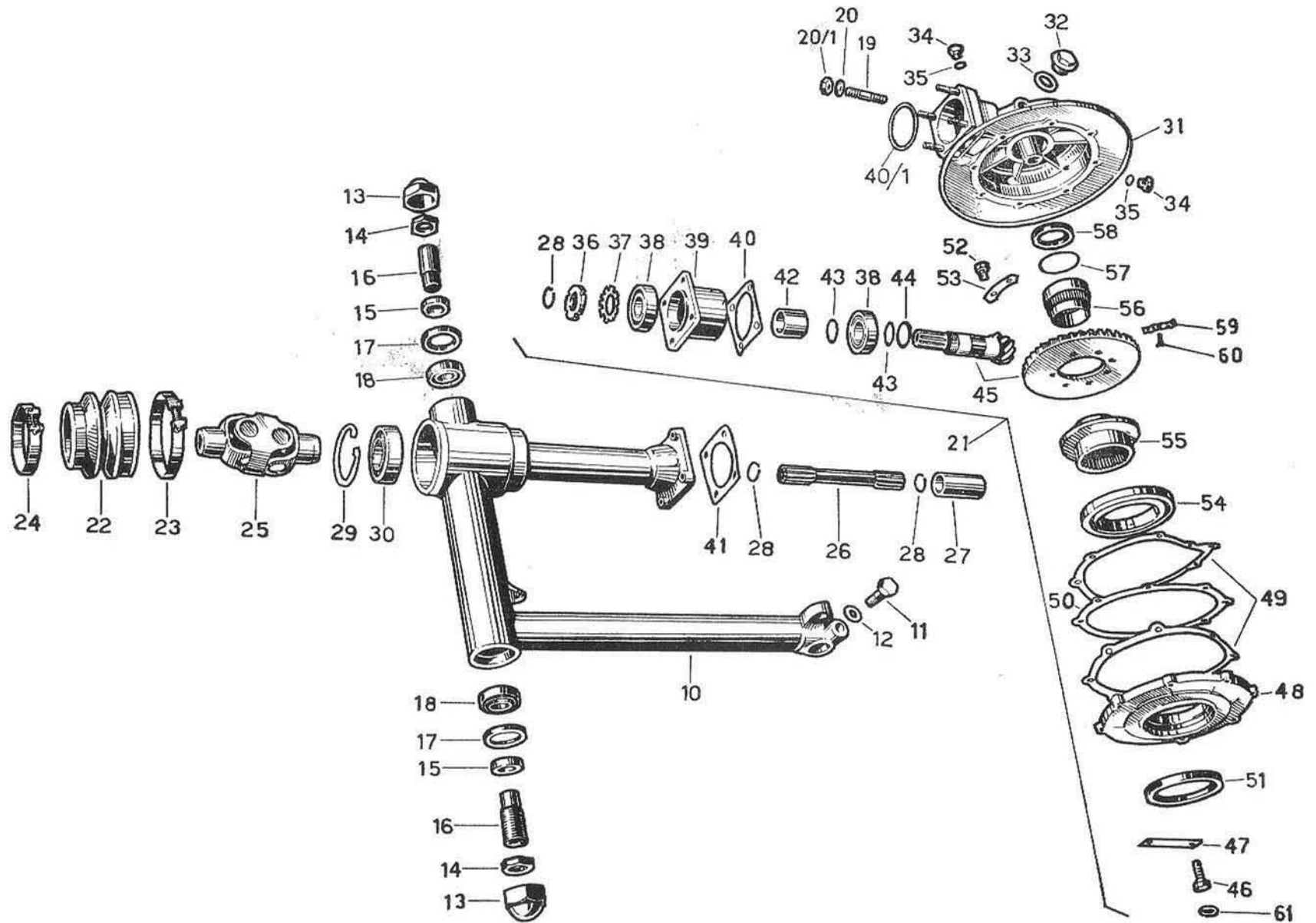




PLATE 10 MODEL: V-750 CC AMBASSADOR  
REAR WHEEL DRIVE

GROUP: Rear Fork - Rear drive box - Drive shaft -  
Bevel gear

Figure No.	Order No.	DESCRIPTION	Quantity	Notes
47	12 35 21 00	Lock Plate, flange fixing bolts . . . . .	4	
48	12 35 04 00	Flange, drive box . . . . .	1	
49	12 35 07 00	Gasket, flange to spacer and spacer to drive box . . . . .	2	
50	12 35 54 00	Shim 0.8 mm. (.031") . . . . .	1	
	12 53 54 02	Shim 0.9 mm. (.035") . . . . .		
	12 35 54 04	Shim 1 mm. (.039") . . . . .		
	12 35 54 06	Shim 1.1 mm. (.043") . . . . .		
	12 35 54 08	Shim 1.2 mm. (.047") . . . . .		
	12 35 54 10	Shim 1.3 mm. (.051") . . . . .		
51	90 40 70 85	Seal . . . . .	1	Angus 70.85.8
52	12 35 63 00	Bolt, bevel gear to journal . . . . .	8	
53	12 35 64 00	Lock Plate, bevel gear bolts to journal bearing . . . . .	4	
54	92 20 10 70	Bearing, ball . . . . .	1	70x110x13 (RIV ELL N. 70)
55	12 35 14 00	Journal bearing . . . . .	1	
56	92 25 43 40	Bearing, roller . . . . .	1	Durkopp NAF 40x55x17
57	12 35 11 00	Ring, cage retaining . . . . .	1	
58	90 40 38 50	Seal . . . . .	1	Angus 38.50.7
59	12 35 13 00	Plate, bearing stop . . . . .	1	
60	98 28 06 14	Screw, roller bearing stop plate . . . . .	1	
61	95 00 42 08	Washer, flange securing screw . . . . .	8	



TAVOLA 10

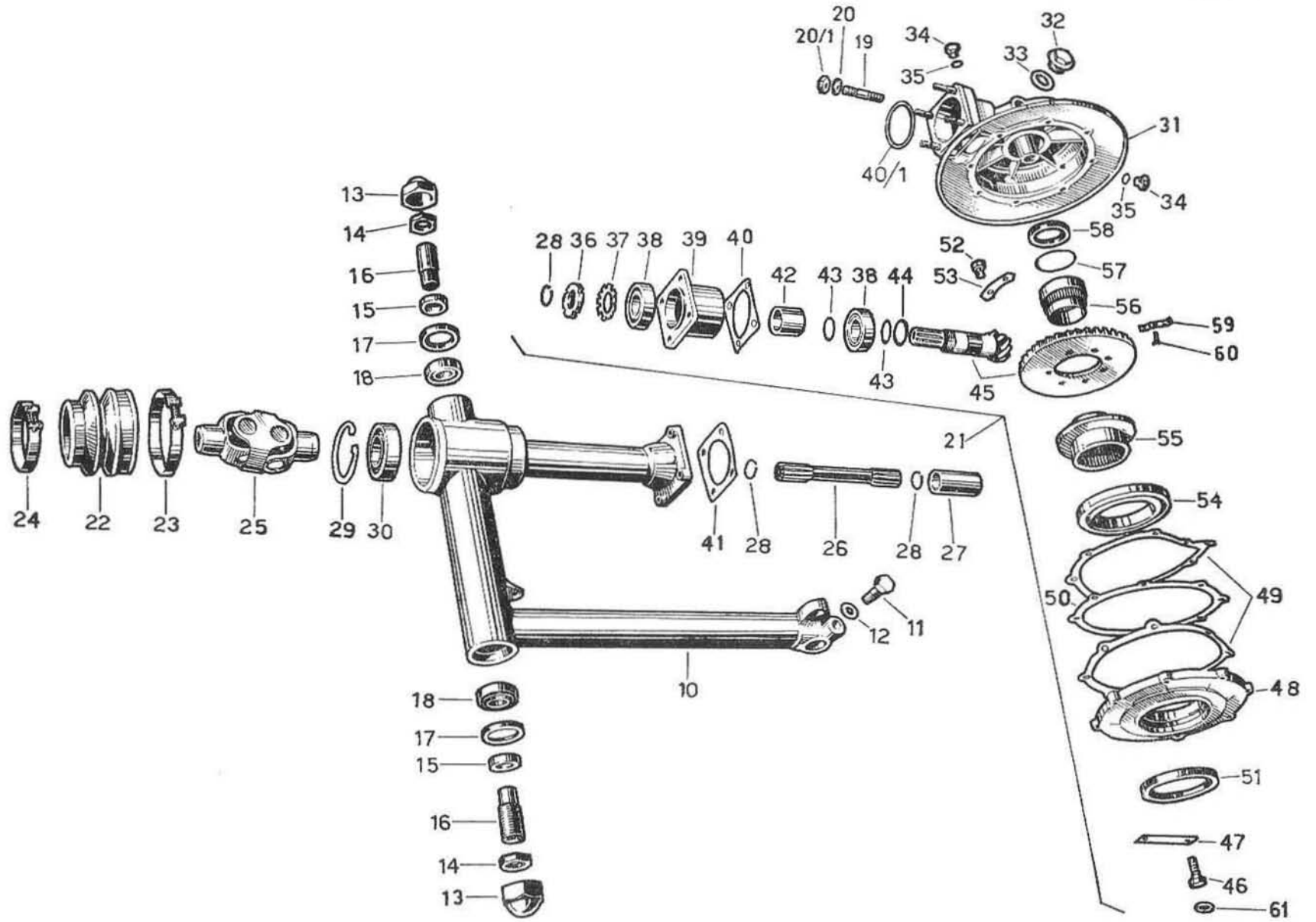




PLATE 11 MODEL: V-750 CC AMBASSADOR  
FRAME

GROUP: Frame - Center stand - Side stand -  
Footrests - Rear fender

Figure No.	Order No.	DESCRIPTION	Quantity	Notes
10	12 40 01 02	Frame	1	
11	92 70 01 28	Nut, engine to frame bolt	2	
12	95 10 04 15	Washer, engine to frame bolt	2	
13	12 42 97 01	Spacer, front	2	
14	12 42 98 00	Spacer, rear	2	
15	12 42 96 00	Bolt, engine to frame retaining	2	
16	91 18 09 49	Spacer, tank securing plate	1	
17	13 91 85 22	Plate, serial number	1	
18	92 85 07 52	Decal, rear fender	1	
19	45 91 85 70	Rivet, serial number plate securing	6	
20	12 78 25 80	Lock, antitheft, on steering column	1	
	12 78 24 80	Key, antitheft device	2	
21	12 41 82 00	Bracket, battery support	1	
22	98 02 44 12	Screw, safety guard to frame	2	
23	98 10 80 17	Screw, battery bracket securing	4	
24	95 10 12 31	Washer, battery bracket securing screws	4	
25	98 11 00 15	Screw, battery bracket to frame	2	
26	95 10 03 11	Washer, battery bracket screws to frame and sidestand screws	5	
27	12 43 03 01	Center Stand	1	
28	92 63 01 10	Nut, center and side stand securing bolts	3	
29	99 10 51 34	Bolt, center stand	2	
30	12 43 40 01	Spring, return, center and side stand	2	
31	12 43 30 00	Buffer, rubber, center and side stand	2	
32	12 43 20 00	Side Stand	1	
33	12 43 28 00	Bolt, side stand	1	
34	92 60 22 08	Nut, spring retaining dowel	1	
35	95 10 02 25	Washer, spring dowel	1	
36	12 43 42 00	Dowel, spring	1	
37	95 10 04 83	Washer, inner, damper securing spindle	4	
38	12 44 02 00	Pivot arm, footrest	1	for machines with R/H gearshift
39	12 44 13 05	Pivot arm, L/H footrest	1	for machines with L/H gearshift
40	12 44 32 00	Rubber, footrest	2	
41	95 10 03 37	Washer, damper unit	2	
42	55 44 23 00	Footrest, passenger	2	
43	55 44 33 85	Rubber, passenger footrest	2	
44	12 44 28 00	U-Plate, footrest securing	2	
45	98 05 23 25	Screw, footrest securing	2	
46	95 10 01 30	Washer, footrests, tool box, and rear fender screws	18	
47	92 60 22 06	Nut, footrests, tool box, and rear fender screws	10	
48	98 05 45 22	Screw, passenger footrest plate	2	
49	95 02 11 10	Washer, footrest plate and hand grip securing screws	4	
50	12 41 64 00	Reinforcement, footrest plate	2	

TAVOLA 11

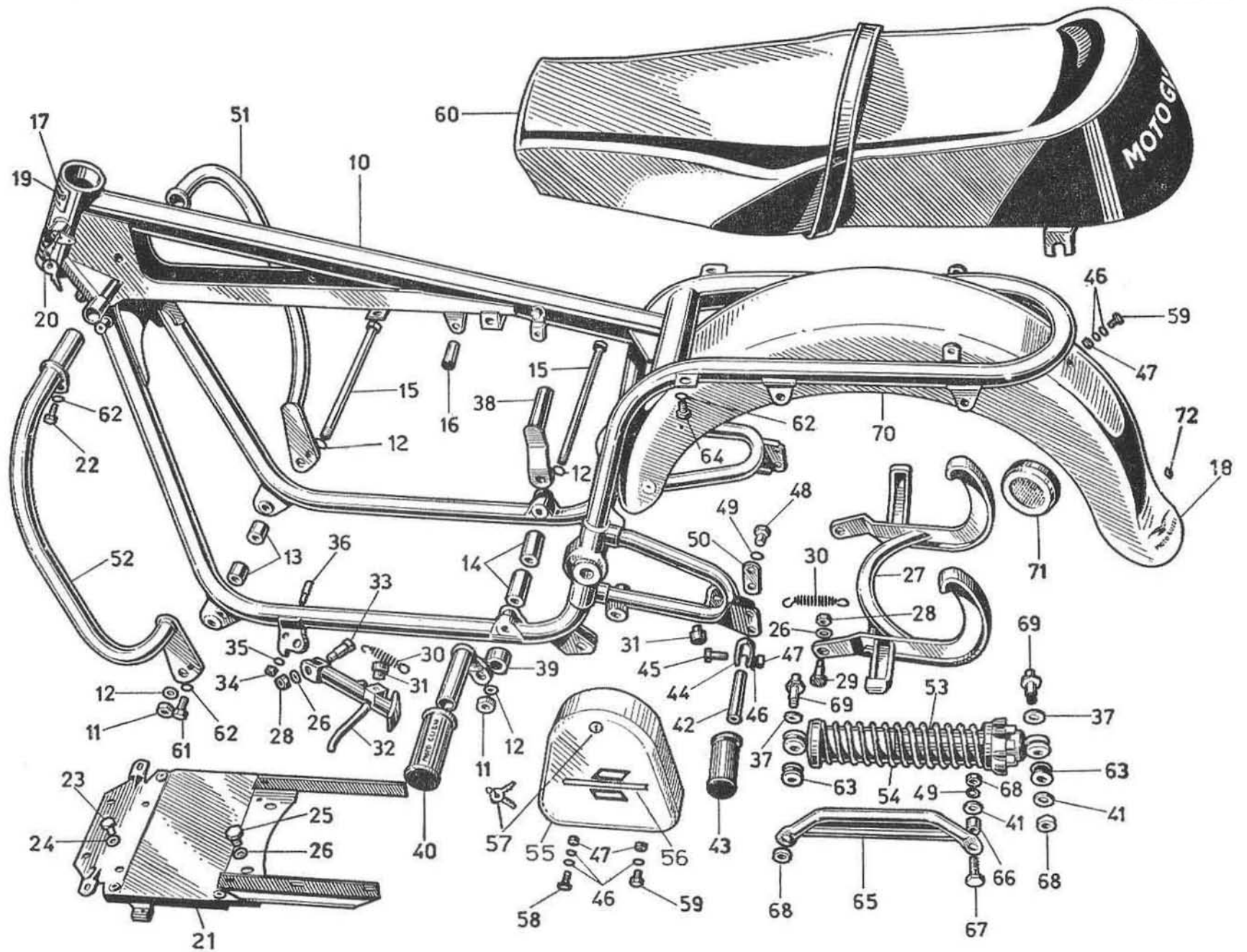




PLATE 11 MODEL: V-750 CC AMBASSADOR  
FRAME

GROUP: Frame - Center stand - Side stand -  
Footrests - Rear fender

Figure No.	Order No.	DESCRIPTION	Quantity	Notes
51	12 45 03 00	Safety Bar, R/H	1	
52	12 45 04 00	Safety Bar, L/H	1	
53	12 55 02 00	Shock absorber unit	2	
54	12 55 23 00	Spring, shock absorbers	2	
55	13 47 60 00	Tool Box, R/H	1	
55/1	13 91 75 00	Decal, R/H tool box	2	
55/2	13 47 61 00	Tool Box, L/H	1	
56	55 47 85 00	Thumb screws, tool box	2	
56/1	55 47 86 00	Washer, tool box screw	2	
57	12 47 88 00	Lock, c/w key, tool box	2	
58	98 10 60 17	Screw, long, tool box and number plate securing	2	
59	98 02 43 12	Screw, short, tool box and rear fender	6	
60	12 46 05 02	Seat, dual	1	
61	98 05 44 18	Screw, bottom, safety bar securing	2	
62	95 02 11 08	Washer, rear seat securing screw	6	
63	55 55 16 00	Bushing, flexible, rear dampers	4	
64	98 10 80 16	Screw, front seat securing	2	
65	12 46 43 20	Handgrip, machine raising	1	
66	91 18 10 15	Spacer	2	
67	98 02 05 35	Screw	2	
68	92 60 22 10	Nut, handgrip and damper securing	6	
69	12 55 52 00	Boss, damper attachment	4	
70	12 43 70 20	Rear fender	1	
71	12 78 15 20	Reflex reflector, red, rear fender	2	
	12 78 16 20	Reflex reflector, amber, front fender	2	
72	12 70 68 00	Grommet, tail lamp cable	1	

TAVOLA 11

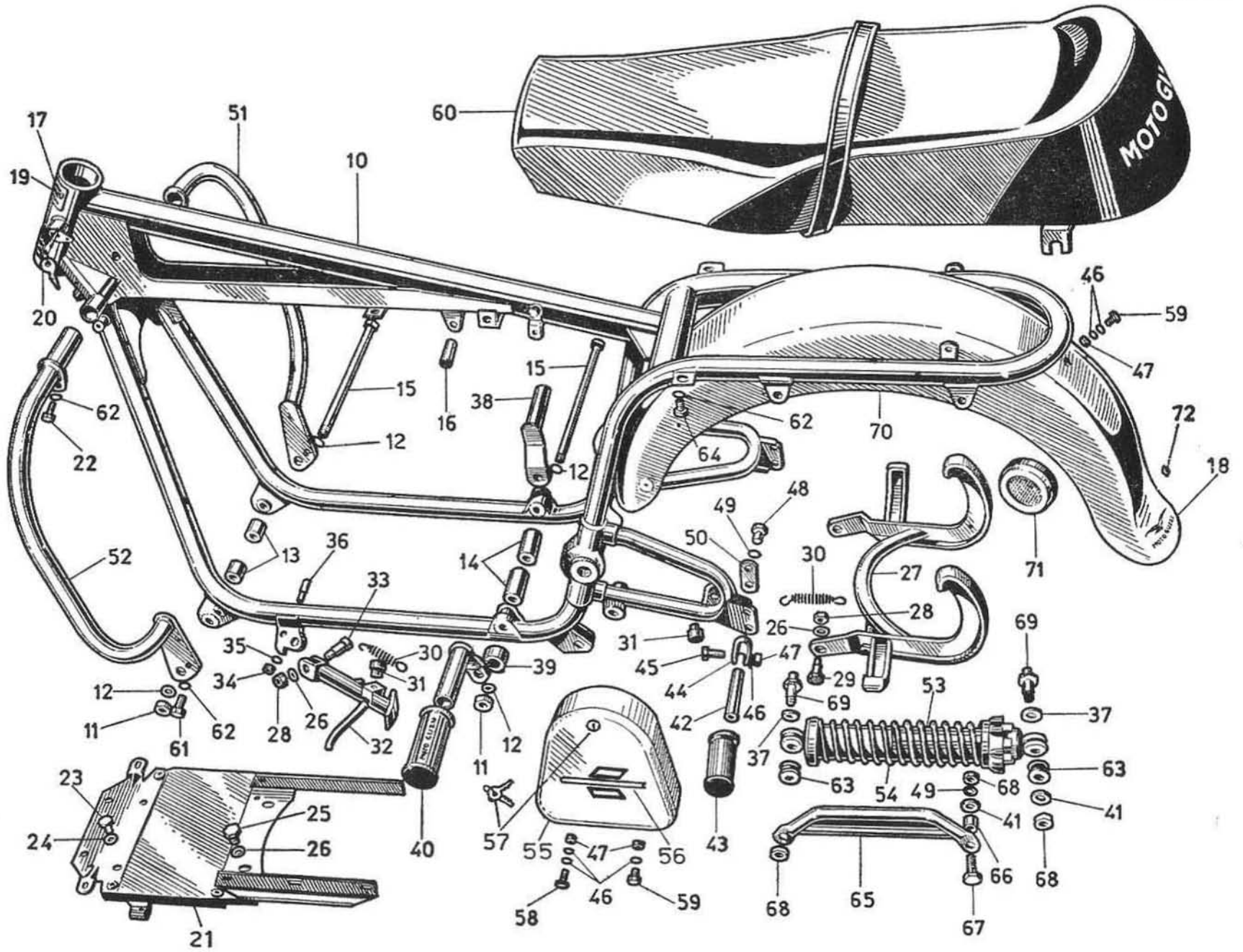




PLATE 12 MODEL: V-750 CC AMBASSADOR  
FRONT SUSPENSION - STEERING

GROUP: Front fork - Front fender - Steering

Figure No.	Order No.	DESCRIPTION	Quantity	Notes
10	12 49 02 21	Front fork, complete	1	
11	92 70 11 39	Nut, top linking plate securing	1	
12	95 10 05 21	Washer, top linking plate nut	1	
13	12 50 45 00	Plug, top fork	2	
14	90 70 62 22	Gasket, top fork plugs	2	
15	12 50 46 00	Washer, top fork plugs	2	
16	12 49 30 01	Top linking plate	1	
17	12 49 27 00	Circlip	2	
18	12 49 23 00	Cap, headlight bracket	2	
19	93 60 10 26	Lock ring, bottom yoke	2	SKF - KM5
20	12 49 45 00	Cap, steering tube	1	
21	92 24 92 25	Bearing; taper roller, steering	2	25x52x16.25 (RIV 01/027205)
22	12 49 41 80	Steering tube, bottom yoke	1	
23	92 70 12 52	Nut, steering tube to bottom yoke	1	
24	12 49 42 01	Bottom yoke	1	
25	98 05 36 75	Bolt, handlebar clamps	2	
26	95 10 14 30	Washer, clamp bolts to bottom yoke	3	
27	92 60 25 12	Nut, clamp bolts to bottom yoke	2	
28	12 49 80 00	Eyelet, front brake cable	1	
29	91 55 11 02	Ring, rubber, front brake cable guide	1	
30	12 49 61 21	Headlight bracket, r/h	1	
31	12 49 62 21	Headlight bracket, l/h	1	
32	12 52 76 00	Bottom plate, headlight bracket	2	
33	12 52 66 00	Spring, front fork	2	
34	12 52 77 00	Housing, fork springs	2	
35	90 40 35 50	Seal	2	35x50x10
36	12 52 54 00	Fork rod	2	
37	12 52 59 00	Lock ring, fork rod and bottom fork link retaining	2	
38	12 52 58 00	Bushing, bottom, fork rod	2	
39	12 52 25 00	Cover, fork, r/h	1	
40	12 52 26 00	Cover, fork, l/h	1	
41	90 70 64 90	Gasket, fork cover	2	
42	12 52 72 10	Washer, adjusting, top bush (0.1 mm. = .0039")	4	
43	90 35 30 46	Circlip, fork cover	2	
44	12 52 72 00	Shim, fork cover adjusting 2 mm. (.078")	2	
	12 52 72 01	Shim, fork cover adjusting 2.1 mm. (.082")		
	12 52 72 02	Shim, fork cover adjusting 2.2 mm. (.086")		
	12 52 72 03	Shim, fork cover adjusting 2.3 mm. (.090")		
	12 52 72 04	Shim, fork cover adjusting 2.4 mm. (.094")		
45	12 52 67 00	Bush, top fork cover	2	
46	98 02 05 35	Bolt, handlebar clamp to headlight bracket	2	
47	95 10 03 31	Washer, handlebar clamp to headlight bracket bolt	2	
48	98 30 50 09	Screw, oil drain from forks	2	

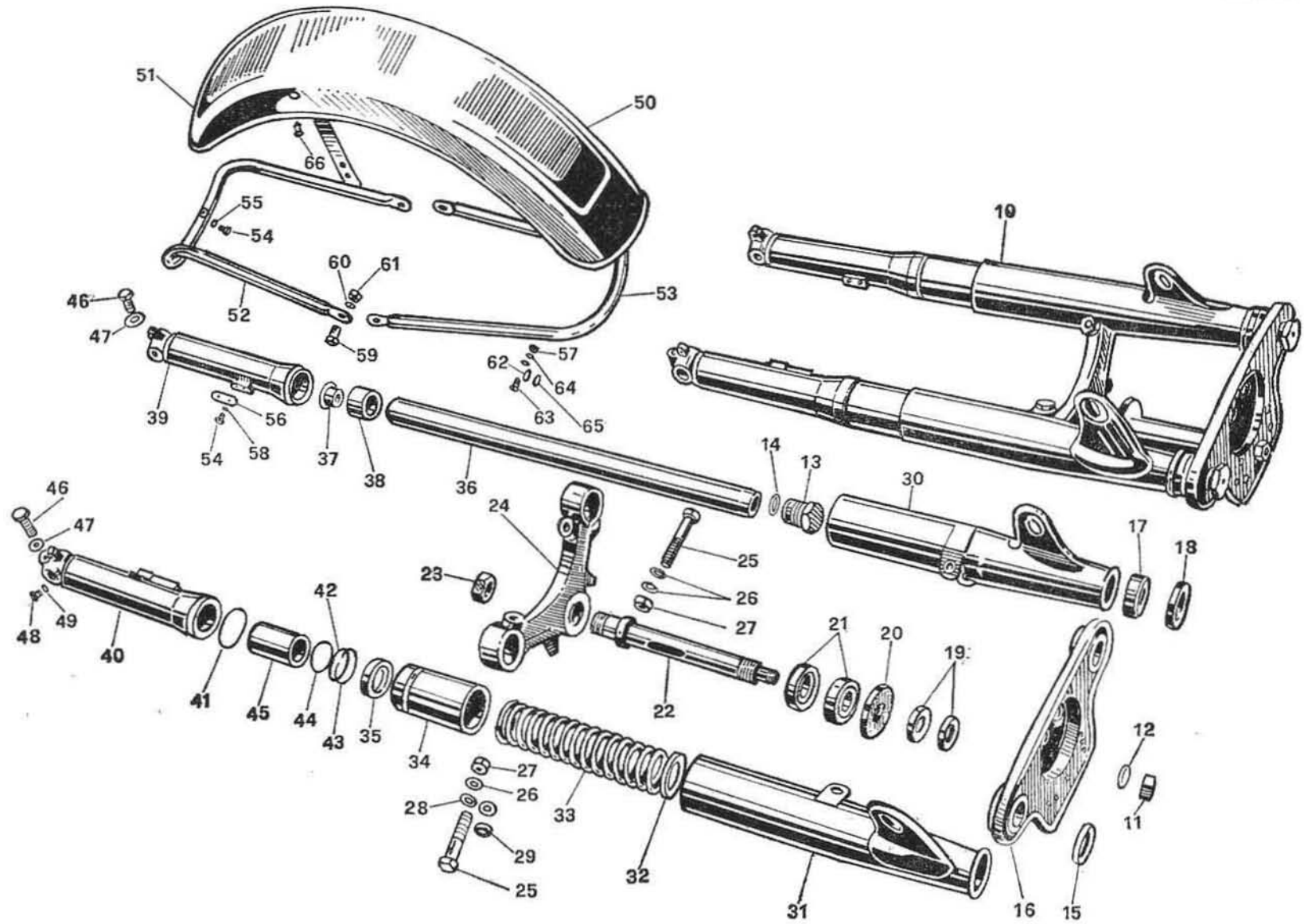




PLATE 12 MODEL: V-750 CC AMBASSADOR  
FRONT SUSPENSION - STEERING

GROUP: Front fork - Front fender - Steering

Figure No.	Order No.	DESCRIPTION	Quantity	Notes
49	90 71 40 51	Washer, oil drain screw . . . . .	2	
50	12 43 43 20	Front fender . . . . .	1	
51	92 85 07 52	Decal, front fender . . . . .	1	
52	12 43 57 00	Stay, top, front fender . . . . .	1	
53	12 43 59 00	Stay, bottom, front fender . . . . .	1	
54	98 02 43 12	Screw, stay and center attachment plate . . . . .	8	
55	95 10 01 21	Washer, stay securing screws . . . . .	4	
56	55 43 48 25	Plate, center fender securing . . . . .	2	
57	92 60 24 06	Nut, eyelet securing screw . . . . .	1	
58	95 10 01 30	Washer, plate securing screws to fender . . . . .	4	
59	98 02 44 22	Screw, front fender to fork . . . . .	4	
60	95 02 11 08	Washer, front fork to fender screws . . . . .	4	
61	92 60 22 08	Nut, front fork to fender screws . . . . .	4	
62	55 43 65 25	Eyelet, cable guide . . . . .	1	
63	98 34 60 10	Screw, eyelet securing . . . . .	1	
64	95 02 11 06	Washer, spring, eyelet securing screw . . . . .	1	
65	12 74 94 00	Rubber ring, front brake guiding eyelet . . . . .	1	
66	93 10 00 60	Plug . . . . .	2	



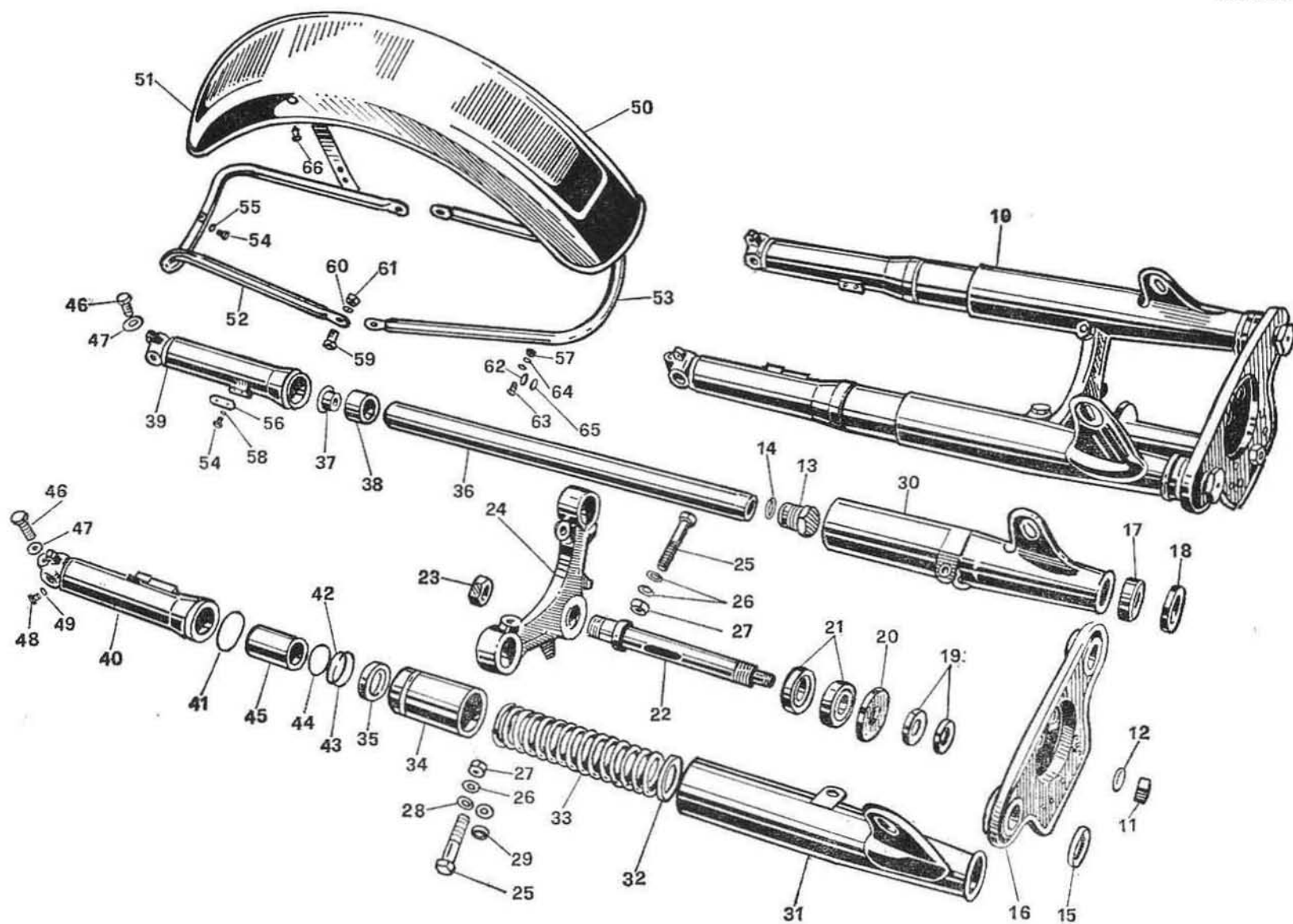




PLATE 13 MODEL: V-750 CC AMBASSADOR  
STEERING

GROUP: Handlebar & controls

Figure No.	Order No.	DESCRIPTION	Quantity	Notes
10	12 60 01 01	Handlebar, c/w levers . . . . .	1	
11	12 60 03 00	Handlebar, bare . . . . .	1	
12	12 60 54 01	Lever, front brake, complete . . . . .	1	
13	55 60 56 00	Lever, front brake, bare . . . . .	1	
14	12 60 10 00	Fulcrum, front brake lever . . . . .	1	
15	98 32 60 17	Screw, front brake and clutch lever . . . . .	2	
16	95 02 11 06	Washer, spring, lever screws . . . . .	2	
17	92 60 24 06	Nut, front brake and clutch levers . . . . .	2	
18	95 79 02 37	Adjuster, cable, front brake and clutch . . . . .	2	
19	93 76 00 72	Thimble, cable adjuster . . . . .	2	
20	98 62 03 30	Allen screw, front brake lever fulcrum . . . . .	1	
21	12 60 55 00	Lever, clutch, complete . . . . .	1	
22	55 60 57 00	Lever, clutch, bare . . . . .	1	
23	12 60 19 00	Fulcrum, clutch lever . . . . .	1	
24	98 62 03 18	Allen screw, clutch lever to fulcrum . . . . .	1	
25	55 60 35 00	Twist grip, throttle control, r/h . . . . .	1	
26	55 60 34 00	Twist grip, bare . . . . .	1	
27	55 60 30 00	Handgrip, rubber l/h handlebar . . . . .	1	
28	12 11 80 00	Lever, air control . . . . .	1	
29	98 10 70 17	Screw, air lever to front brake lever fulcrum . . . . .	1	
30	91 18 07 07	Bushing, air lever screw . . . . .	1	
31	12 50 02 40	Clamp, handlebar . . . . .	2	
32	98 02 44 20	Screw, handlebar clamp . . . . .	4	
33	95 02 11 08	Washer, clamp screws . . . . .	4	
34	11 50 07 00	Screw, top clamp securing . . . . .	4	
35	45 40 97 01	Plug, clamps . . . . .	2	

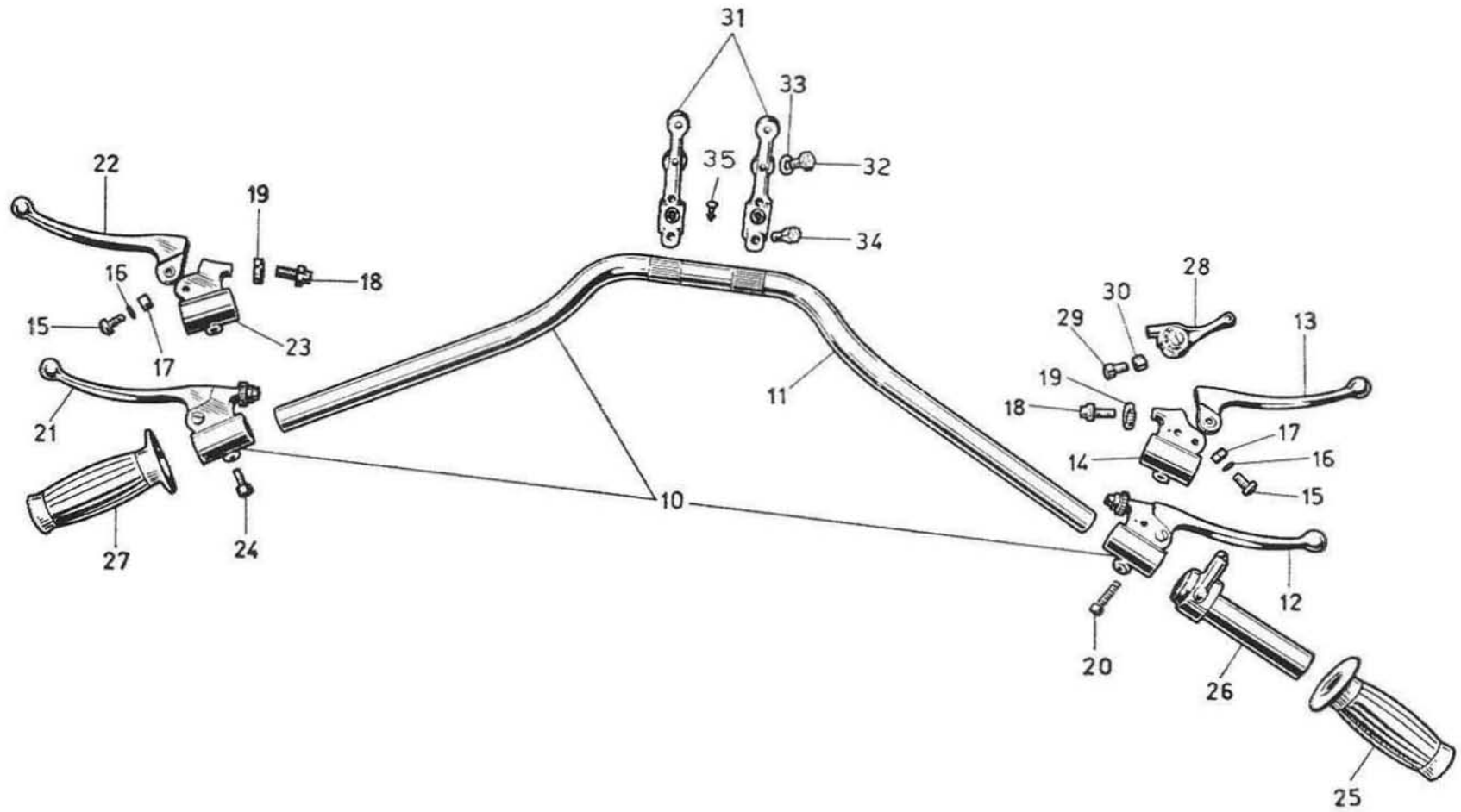




PLATE 14 MODEL: V-750 CC AMBASSADOR  
INSTRUMENTS

GROUP: Speedometer - Rev-counter - Warning lights -  
Connecting cables

Figure No.	Order No.	DESCRIPTION	Quantity	Notes
10	13 50 15 00	Instrument panel . . . . .	1	
11	13 50 22 00	Rubber block, instrument panel . . . . .	3	
12	92 75 00 62	Nut, rubber block securing . . . . .	1	
13	95 10 01 30	Washer, rubber block . . . . .	3	
14	92 78 10 61	Nut, panel securing . . . . .	3	
15	13 76 15 21	Speedometer head . . . . .	1	
16	90 70 67 46	Gasket, speedometer . . . . .	2	
17	12 76 04 00	Cable, speedometer . . . . .	1	
18	12 76 25 00	Speedo drive, complete . . . . .	1	
19	12 76 33 00	Ferrule, speedo drive . . . . .	1	
20	12 76 61 00	Gear, speedo drive . . . . .	1	
21	13 76 72 00	Rev-counter, electronic . . . . .	1	
22	10 74 49 00	Neutral indicator light, amber . . . . .	1	
23	10 74 49 02	Indicator, generator and oil pressure, red . . . . .	2	
24	13 74 49 20	Indicator, parking light, red . . . . .	1	
25	13 76 10 00	Cable, red and amber indicator lights connection . . . . .	1	
26	13 76 11 00	Cable, neutral indicator to main cable . . . . .	1	
27	13 76 12 00	Cable, indicator F and main cable . . . . .	1	
28	13 76 13 00	Cable, indicator D and main cable . . . . .	1	
29	13 76 14 00	Cable, two-core, instruments illumination . . . . .	1	
30	13 76 73 00	Cable, ground, rev-counter . . . . .	1	
31	98 02 43 10	Screw, grounding . . . . .	1	
32	13 76 77 00	Cable, connecting, rev counter to contact breaker and rev-counter to coil . . . . .	4	
33	13 76 49 00	Plate, speedometer . . . . .	1	
34	13 76 78 00	Plate, rev-counter . . . . .	1	
35	12 76 16 20	Speedometer, single instrument panel . . . . .	1	
36	12 50 15 00	Panel, speedometer housing . . . . .	1	
37	98 62 03 25	Screw, short, panel securing . . . . .	1	
38	98 62 03 30	Screw, long, panel securing . . . . .	1	

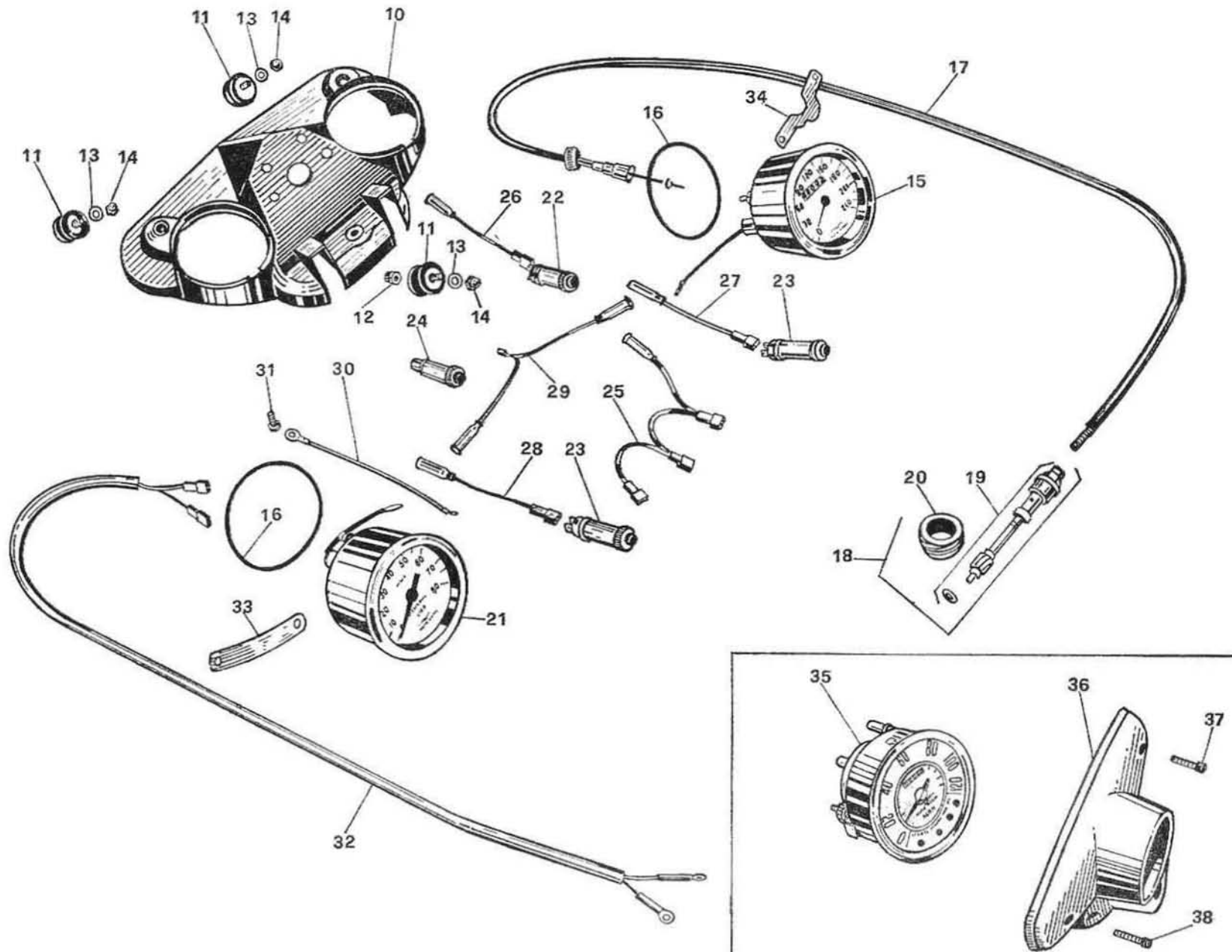




PLATE 15 MODEL: V-750 CC AMBASSADOR

GROUP: Front wheel - Hub - Brake controls

Figure No.	Order No.	DESCRIPTION	Quantity	Notes
10	12 61 02 00	Front wheel, complete	1	
11	12 61 03 00	Front wheel, bare, with bearings	1	
12	12 61 08 00	Rim, front wheel	1	
13	12 61 15 01	Spoke, front wheel, c/w nipples	40	
14	12 61 32 00	Hub, front wheel	1	
15	92 70 01 71	Nut, front wheel spindle	1	
16	95 10 06 28	Washer, front wheel spindle	2	
17	12 61 41 00	Spindle, front wheel	1	
18	12 62 02 00	Cover, rear hub	1	
19	12 62 08 00	Brake shoe, c/w linings	2	
20	12 62 14 00	Lining, brake shoe	2	
21	95 10 07 27	Shim	6 ÷ 12	
22	12 62 63 00	Rubber protection, cable end	1	
23	12 63 81 00	Spring, front brake shoe	2	
24	12 62 32 00	Pin, brake shoes	2	
25	95 10 03 11	Washer, brake shoe pins	2	
26	92 60 22 10	Nut, brake shoe pins	2	
27	12 62 25 00	Cam, front brake shoes	2	
27/1	13 62 54 20	Cable, front brake	1	
28	12 62 53 00	Lever, cam, double action	1	
29	12 62 50 00	Lever, brake cam	1	
30	98 10 60 22	Bolt, lever to cams	2	
31	12 62 66 00	Tie rod, c/w forks for operating levers	1	
32	12 62 67 00	Tie rod	1	
33	12 62 68 00	Fork, tie rod	2	
34	92 60 22 06	Nut, adjusting, tie rod	1	
35	95 78 02 65	Pin, rod to operating lever	2	
36	95 50 02 22	Split pin tie rod to control levers	2	
37	95 12 91 10	Washer, lever pin	2	
38	12 62 15 00	Hub cover, r/h	1	
39	90 40 32 49	Seal, hub	2	Corteco 32.48.7 BA
40	12 61 52 00	Bush, bearing housing	2	
41	92 24 69 22	Bearing, roller	2	22x48x15.5 (RIV 01/02/4210)
42	95 10 07 15	Shim	1	
43	12 61 53 00	Distance piece, bearings	1	

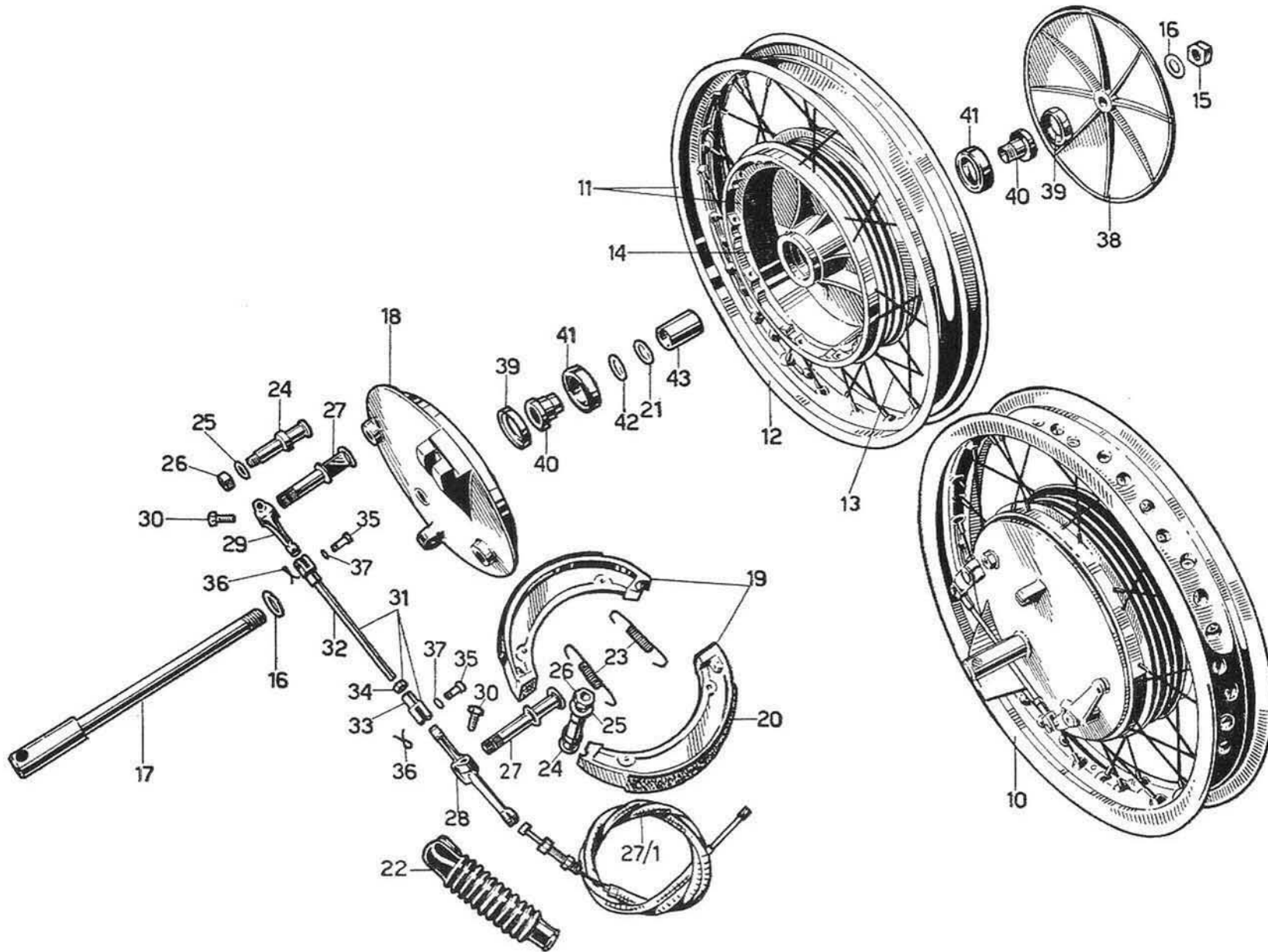




PLATE 16 MODEL: V-750 CC AMBASSADOR

GROUP: Rear wheel - Hub - Rear brake - Control

Figure No.	Order No.	DESCRIPTION	Quantity	Notes
10	12 63 02 01	Rear wheel, complete	1	
11	12 63 05 00	Rear wheel, c/w bearings	1	
12	12 61 08 00	Rim, rear wheel	1	
13	12 61 15 01	Spoke, rear wheel	40	
14	12 63 30 00	Hub, rear wheel	1	
15	92 70 01 71	Nut, rear wheel spindle	1	
16	95 10 06 28	Washer, rear wheel spindle	2	
17	12 63 33 00	Spindle, rear wheel	1	
18	12 63 41 00	Spacer, rear wheel spindle	1	
19	12 63 52 01	Cover, rear hub	1	
20	12 63 74 00	Shoe, rear brake, c/w linings and plates	2	
21	12 62 14 00	Lining, rear brake shoes	2	
22	12 63 82 00	Spring, rear brake shoes	2	
23	12 63 62 01	Pin, rear brake shoes	1	
24	95 10 05 21	Washer, rear brake shoes	1	
25	92 70 11 48	Nut, shoe pin	1	
26	12 63 66 00	Tie rod, rear hub cover	1	
27	95 02 11 10	Washer, rear hub cover rod	3	
28	92 60 22 10	Nut, rear hub cover rod	3	
29	98 11 00 20	Screw, tie rod securing to rear fork	1	
30	98 05 25 50	Screw, hub cover securing	1	
31	12 62 25 00	Cam, rear shoes control	1	
32	12 63 96 01	Lever, cam operating	1	
33	98 10 60 22	Screw, lever to cam	1	
34	95 73 02 60	Thumb screw, rear brake adjusting rod	1	
35	95 71 63 67	Roller, lever, on rear hub cover	1	
36	95 50 02 22	Split pin, tie rod to shoe pin	1	
37	95 10 01 37	Washer, tie rod to lever	1	
38	12 67 60 01	Tie rod, rear brake control	1	
39	12 67 54 05	Spindle, c/w lever	1	
40	12 67 70 05	Lever, rear brake control	1	
41	98 05 44 25	Screw, rear brake lever to spindle	1	
42	12 67 65 05	Lever, rear brake spindle	1	
43	98 05 23 30	Screw, lever to spindle	1	
44	95 02 11 06	Washer, lever securing screw	1	
45	92 60 22 06	Nut, lever securing screw to pin	1	
46	90 27 10 14	Circlip, pin retaining	1	
47	92 60 50 08	Nut, central body securing bolt	6	Seeger 14 e
48	95 10 12 31	Washer, central body bolt	6	
49	98 10 80 38	Bolt, central body securing	6	
50	12 63 32 00	Central body	1	
51	90 40 32 49	Seal	2	Corteco 32.48.77 BA



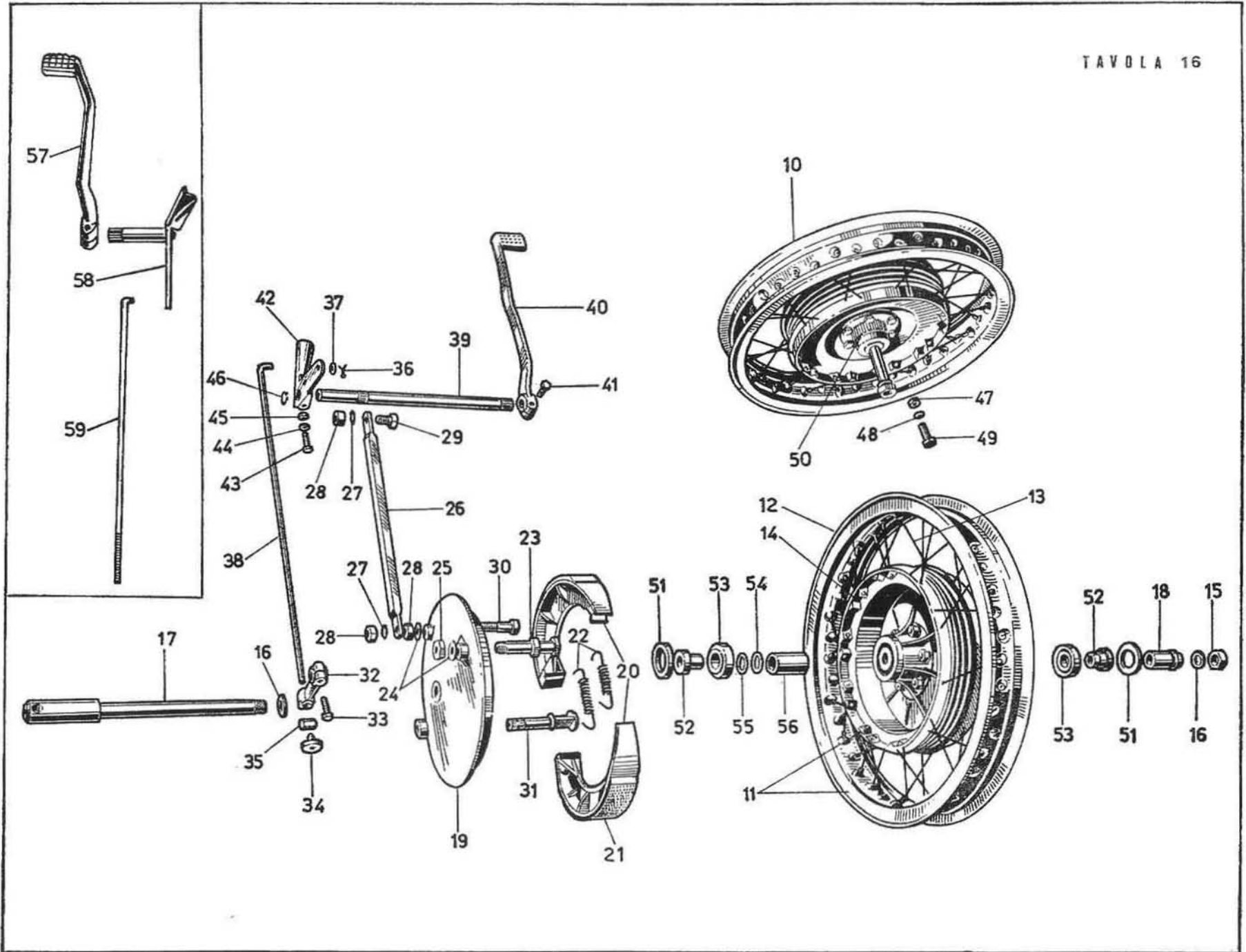




PLATE 16 MODEL: V-750 CC AMBASSADOR

GROUP: Rear wheel - Hub - Rear brake - Control

Figure No.	Order No.	DESCRIPTION	Quantity	Notes
52	12 61 52 00	Housing, taper roller bearing . . . . .	2	22x48x15.5 (RIV01-02-4210)
53	92 24 69 22	Bearing, taper roller, hub . . . . .	2	
54	95 10 07 15	Washer, bearing-spacer . . . . .	2	
55	12 63 40 00	Washer . . . . .	6-12	
56	95 10 07 27	Spacer, hub bearings . . . . .	1	
<b>FOR MACHINES WITH REAR BRAKE PEDAL ON L/H SIDE :</b>				
57	12 67 70 00	Lever, rear brake . . . . .	1	
58	12 67 65 00	Spindle, c/w lever . . . . .	1	
59	12 67 60 00	Tie rod, rear brake . . . . .	1	

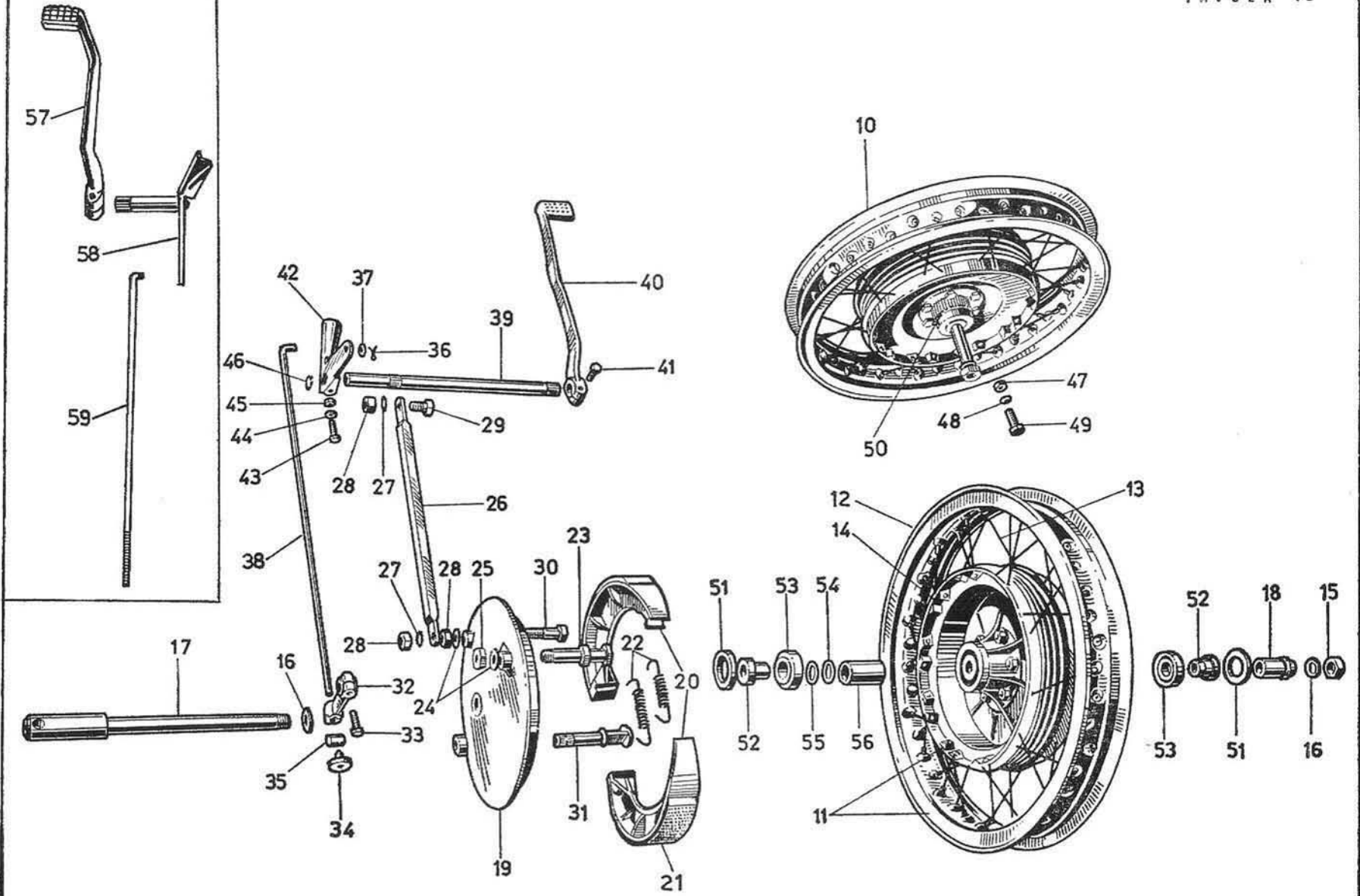




PLATE 17 MODEL: V-750 CC AMBASSADOR  
ELECTRICAL EQUIPMENT

GROUP: Ignition and lighting

Figure No.	Order No.	DESCRIPTION	Quantity	Notes
10	12 70 02 00	Generator (Marelli DN 62M)	1	
10/1	12 70 02 05	Generator (Bosch G 14V - 25 A - 23)	1	
11	12 70 03 00	Bracket, generator	1	
12	98 02 44 20	Screw, generator bracket	2	
13	95 02 11 08	Washer, generator bracket screw, coil and horn screws	5	
14	12 70 07 00	Band, generator	2	
15	95 71 62 80	Roller, band, threaded	1	
16	95 71 63 80	Roller, band, unthreaded	1	
17	99 10 51 27	Screw, band securing	1	
18	12 70 09 00	Pin, band securing	2	
19	95 50 02 22	Split pin, band securing pin	4	
20	12 70 06 10	Cover, generator	1	
21	12 70 25 00	Belt, Marelli generator (Pirelli 60404/A)	}	1
21/1	12 70 25 05	Belt, Bosch generator (Pirelli 18 x 8 x 754)		
22	98 10 60 09	Screw, generator cover	4	
23	95 10 01 30	Washer, generator cover and starter button screws	5	
24	12 71 57 00	Bracket, regulator	1	
25	12 71 59 00	Gasket, distributor bracket	1	
26	98 05 44 25	Screw, distributor bracket	1	
27	95 10 12 31	Washer, regulator bracket, coil and distributor bracket screws	6	
28	12 71 54 00	Distributor (Marelli S 123 A)	1	
29	12 71 62 00	Gear, distributor	1	
30	95 51 03 18	Pin, distributor gear fixing	1	
31	98 10 60 21	Screw, distributor	1	
32	95 10 01 37	Washer, distributor screw	1	
33	12 71 65 00	Coil, ignition (Marelli BE 200 D)	}	1
33/1	26 71 65 04	Coil, ignition (Bosch 0221.114.006-E12V)		
34	98 02 44 12	Screw, coil securing	2	
35	92 60 22 08	Nut, regulator to bracket and coil and horn securing screws	5	
36	12 71 78 01	H.T. lead, distributor to coil	1	
37	12 71 76 00	Cap, h.t. coil	1	
38	45 71 76 00	Cap, distributor-coil-plug and oil pressure solenoid leads	4	
39	12 71 84 00	H.T. lead, distributor to r/h plug	1	
40	45 71 74 50	Cap, spark plug	2	
41	12 71 86 00	H.T. lead, distributor to l/h plug	1	
42	55 71 70 00	Spark plug (n. 225 Bosch-Marelli scale or equivalent)	2	
43	12 71 93 00	L.T. lead, distributor to coil	1	
44	12 70 29 00	Cap, small	2	
45	12 73 07 01	Starter motor (Marelli MT 40 H-0,7 HP-12V), with remote solenoid	}	1
	12 73 07 05	Starter motor (Bosch 0.5 HP - 12V)		
45/1	12 73 10 00	Ground cable, starter motor	1	
46	12 70 38 01	Regulator (Marelli IR 50 BA)	}	1
	12 70 38 05	Regulator (Bosch VA 14 V - 25 A)		

TAVOLA 17

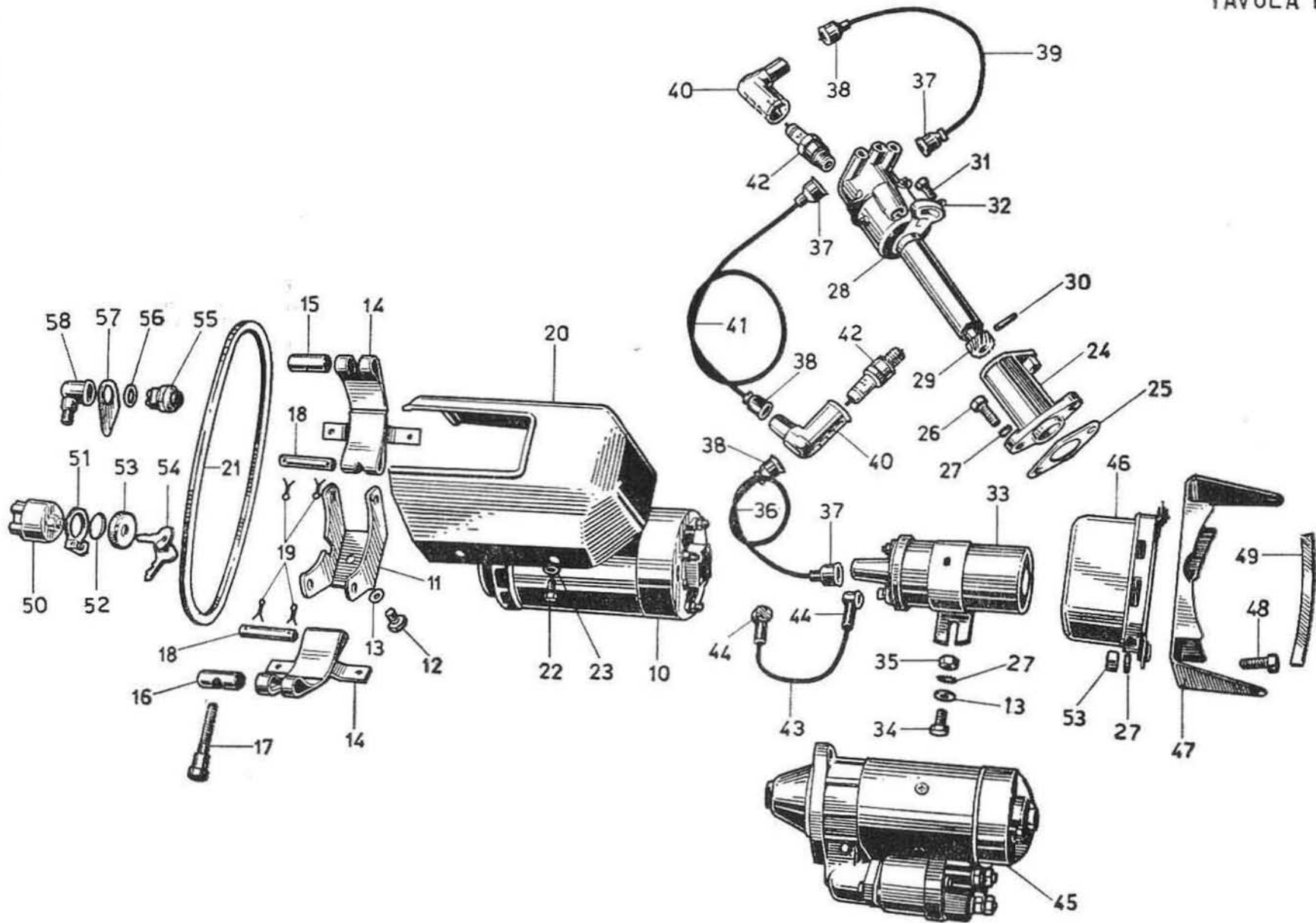




PLATE 17 MODEL: V-750 CC AMBASSADOR  
ELECTRICAL EQUIPMENT

GROUP: Ignition and lighting

Figure No.	Order No.	DESCRIPTION	Quantity	Notes
47	12 70 41 00	Bracket, regulator . . . . .	1	
48	98 02 44 22	Screw, regulator bracket . . . . .	2	
49	12 70 42 00	Washer, regulator bracket . . . . .	1	
50	12 73 53 00	Switch, ignition (Marelli « 25 A » - Q 161B) . . . . .	1	
51	12 73 57 50	Cover, ignition switch . . . . .	1	
52	90 70 62 52	Washer, ignition switch . . . . .	1	
53	12 73 54 00	Lock ring, ignition switch . . . . .	1	
54	12 73 55 00	Key, ignition switch . . . . .	2	when ordering indicate key number
55	26 73 50 01	Starter button . . . . .	1	
56	90 70 61 63	Washer, starter button . . . . .	1	
57	12 73 49 00	Plate, starter button . . . . .	1	
58	12 73 51 00	Cap, button protection . . . . .	1	
59	92 60 22 06	Nut, starter button plate . . . . .	1	

TAVOLA 17

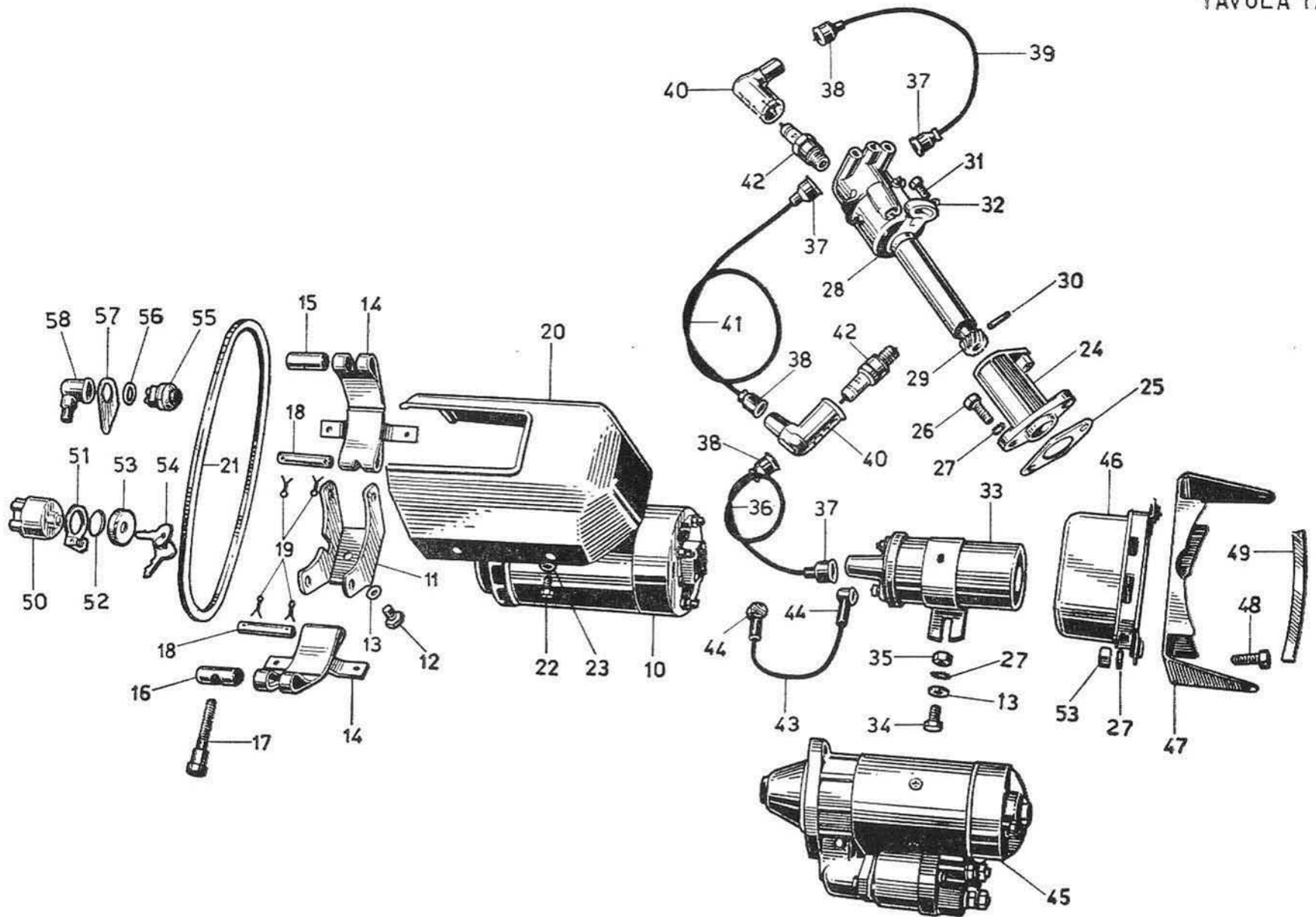




PLATE 18 MODEL: V-750 CC AMBASSADOR  
ELECTRICAL EQUIPMENT

GROUP: Headlight - Battery - Horn - Tail light -  
Control cables

Figure No.	Order No.	DESCRIPTION	Quantity	Notes
10	12 74 05 21	Headlight, c/w switch	1	CEV mod. 4506
11	12 74 60 01	Switch, light, c/w cables	1	
12	12 74 37 00	Horn (Marelli T 12 DE/F)	1	
13	98 62 04 20	Screw, horn securing	1	
14	92 60 22 08	Nut, horn securing screw	1	
15	95 02 11 08	Washer, horn securing screw	1	
16	25 70 45 00	Battery (12 V - 32 Ah)	1	
17	12 70 56 00	Gasket, battery	1	
18	12 70 46 01	Frame, top battery securing	1	
19	12 70 55 00	Stud, top frame securing	2	
20	92 60 22 06	Nut, battery rame and number plate stud	5	
21	95 10 01 30	Washer, battery and number plate stud	8	
22	13 70 52 00	Cover, battery, r/h	1	
22/1	13 70 52 20	Cover, battery, finned, r/h	1	
23	13 70 54 00	Cover, battery, l/h	1	
24	13 91 78 00	Decal, « Ambassador »	2	
24/1	13 70 54 20	Cover, battery, l/h, finned	1	
25	12 43 30 00	Rubber ring	1	
26	13 70 66 00	Thumb screw, cover closing	2	
27	13 70 73 00	Pad, rubber	2	
28	12 74 94 00	Ring, rubber on linking plate	2	
29	91 55 10 81	Grommet, horn	1	
30	12 70 68 00	Grommet	4	
31	35 74 11 00	Stop cutout	1	
32	98 30 50 17	Screw, stop cutout	2	
33	95 10 00 55	Washer, stop cutout screws	2	
34	92 70 00 50	Nut, stop cutout screws	2	
35	12 47 49 21	Number plate c/w tail light	1	
36	93 45 02 24	Bulb, tail light (20 W - 12 V)	1	
37	98 02 43 10	Screw, bottom, number plate	3	
38	12 71 76 00	Cap, oil pressure solenoid	1	
39	26 70 67 00	Cap, battery cable	1	
40	12 70 30 00	Cap, large	2	
41	25 70 71 00	Cap	1	
42	12 74 71 02	Main cable assembly, Marelli equipment	1	
43	12 74 72 00	Cable assembly, instrument panel to headlight	1	
44	12 74 77 00	Cable, grounding	1	
45	12 74 74 20	Connections, internal, headlight	1	
46	12 74 75 01	Cable, stop lamp to stop cutout	1	
47	12 74 79 00	Cable, from battery	1	
48	12 70 03 21	Rim, headlight	1	
49	12 74 04 21	Sealed beam unit	1	
50	12 74 17 21	Rim, tail lamp	1	
51	13 91 78 20	Decal, V-750 Ambassador	2	
52	13 91 79 00	Decal, lower	2	



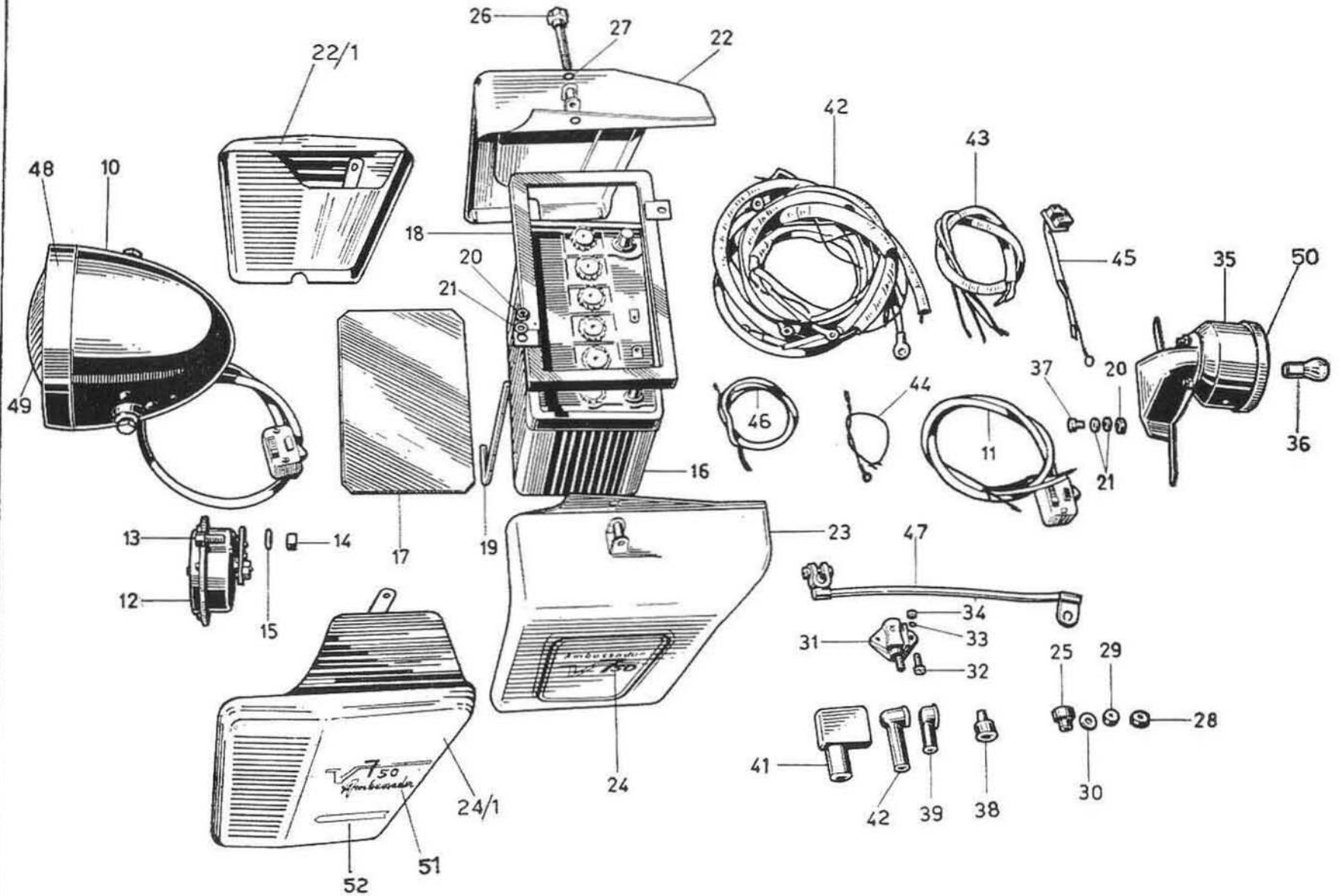




PLATE 19 MODEL: V-750 CC AMBASSADOR  
ELECTRICAL EQUIPMENT

GROUP: Distributor

Figure No.	Order No.	DESCRIPTION	Quantity	Notes
—	12 71 54 00	Distributor S 123 A, complete . . . . .	1	61012301
1	12 71 54 10	Housing with bushings . . . . .	1	70411204
2	12 71 54 11	Bakelite washer . . . . .	2	95012194
3	12 71 54 12	Flat washer . . . . .	1	95005214
4	12 71 54 13	Automatic advance ass. y . . . . .	1	71023702
5	12 71 54 14	Spacer . . . . .	1	95210156
6	12 71 54 15	Shim (0,1 mm.) . . . . .	as required	90059111
	12 71 54 16	Shim (0,2 mm.) . . . . .	as required	90059121
	12 71 54 17	Shim (0,5 mm.) . . . . .	as required	90059131
7	12 71 54 18	Driving pinion . . . . .	1	71093810
8	12 71 54 19	Pinion securing peg . . . . .	1	90027061
9	12 71 54 20	Contact breaker unit, complete . . . . .	1	70412101
10	12 71 54 21	Condensor CE 29 D . . . . .	1	56181103
11	12 73 07 60	Spring washer . . . . .	1	90024005
12	12 71 54 23	Condensor fixing screw . . . . .	1	90028031
13	12 71 54 24	Cap securing spring . . . . .	2	74327871
14	12 71 54 25	Cap spring fixing screw . . . . .	2	95131104
15	12 71 54 26	Terminal bolt . . . . .	1	91215101
16	12 71 54 27	Insulating plate . . . . .	1	91024001
17	12 71 54 28	Insulating block . . . . .	1	91023002
18	12 71 54 29	Flat washer . . . . .	2	90058352
19	12 73 07 23	Spring washer . . . . .	2	90024006
20	12 71 54 30	Terminal nut . . . . .	2	95055026
21	12 71 54 31	Distributor rotor . . . . .	1	70189503
22	12 71 54 32	Distributor cap . . . . .	1	71037202
23	12 71 54 33	Carbon brush . . . . .	1	91066001
24	12 71 54 34	Seal . . . . .	1	95207109
24/1	12 71 54 35	Shaft . . . . .	1	71023802
25	12 71 54 36	Advance weight . . . . .	2	71090010
26	12 71 54 37	Ball retaining spring . . . . .	1	95226115
27	12 71 54 38	Ball . . . . .	1	95163101
28	12 71 54 39	Cam . . . . .	1	71093301
29	12 71 54 40	Cam retaining screw . . . . .	1	95114202
30	12 71 54 41	Cam felt pad . . . . .	1	95200127
31	12 71 54 42	Weight spring, 8 coils . . . . .	1	95128044
	12 71 54 43	Weight spring, 9 coils . . . . .	1	95205175
32	12 71 54 44	Plate complete with pin . . . . .	1	70412201
33	12 71 54 45	Contact breaker set . . . . .	1	71006701
34	12 71 54 46	Fixed point plate screw . . . . .	1	95086108

Tavola 19

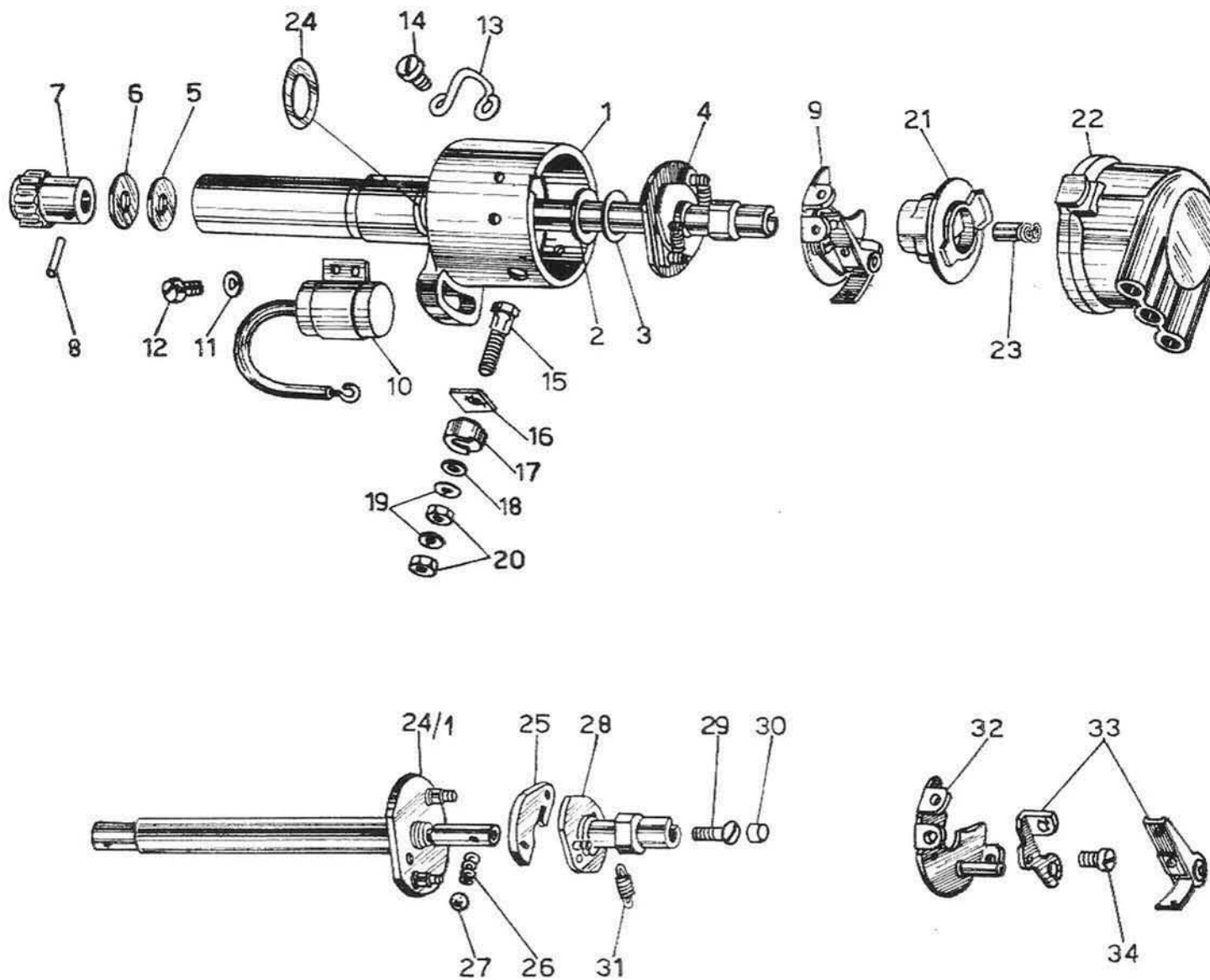
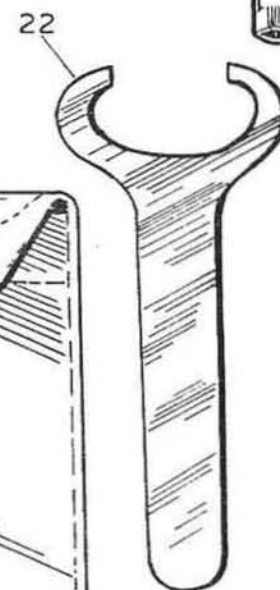
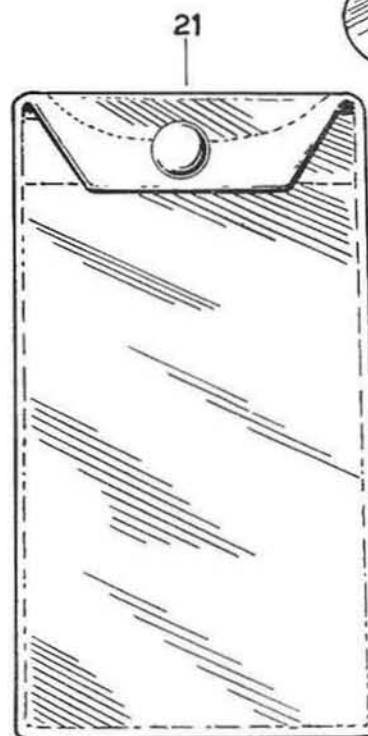
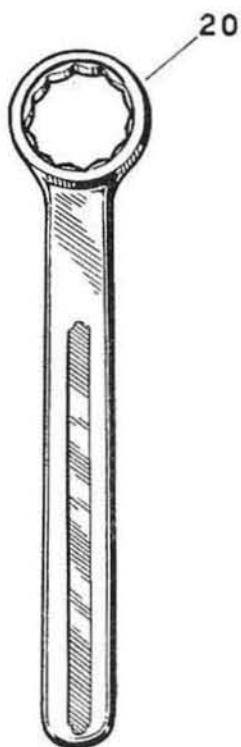
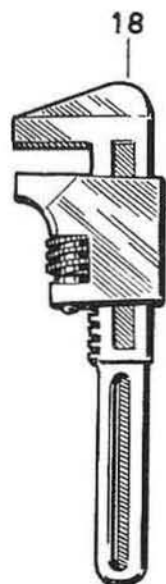
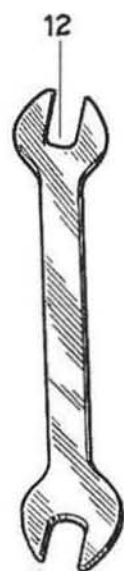
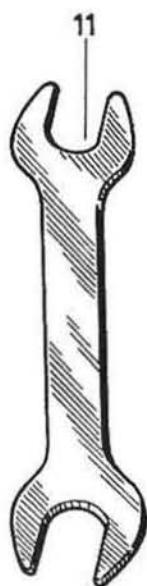
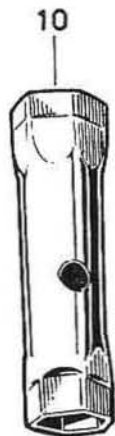




PLATE 20 MODEL: V-750 CC AMBASSADOR  
TOOL KIT

GROUP: Tool kit and gasket sets

Figure No.	Order No.	DESCRIPTION	Quantity	Notes
10	55 90 19 00	Wrench, box 19/21/22 mm.	1	
11	12 90 10 00	Wrench, open ended, 17/19 mm.	1	
12	12 90 08 00	Wrench, open ended, 10/11 mm.	1	
13	55 90 04 00	Wrench, open ended, tappet adjusting	1	
14	25 90 21 00	Wrench, box, 8/9	1	
15	55 90 24 00	Allen key, 5 hex	1	
16	25 90 20 00	Wrench box, 10/14 mm.	1	
17	25 90 55 00	Pliers, universal	1	
18	25 90 56 00	Wrench, adjustable	1	
19	55 90 50 00	Screwdriver	1	
20	12 90 11 00	Wrench, ring, 27 mm.	1	
21	12 91 45 00	Tool bag	1	
22	12 91 27 00	Wrench, damper adjusting tool	1	
23		Instruction booklet	1	
A	13 99 90 00	Gasket set	1	
		12 02 37 00 13 02 08 00 12 01 18 00	1	
		12 00 12 00 12 00 36 00 12 15 91 00	1	
		12 15 32 00 12 00 76 00 12 20 11 00	1	
		12 20 15 00 12 20 77 00 12 35 26 00	1	
		12 35 29 00 12 35 07 00 12 71 59 00	1	
B	12 99 95 00	Seal set	1	
		90 40 38 50 90 40 53 68 90 40 25 35	1	
		90 40 70 85 90 40 35 50 90 40 30 40	1	
		90 40 38 50 90 40 32 49	2	



TIPOGRAFIA BERETTA - LECCO

VIA PREVIATI, 58 - TEL. 25.075

— N 1000 — JAN 1970 —