

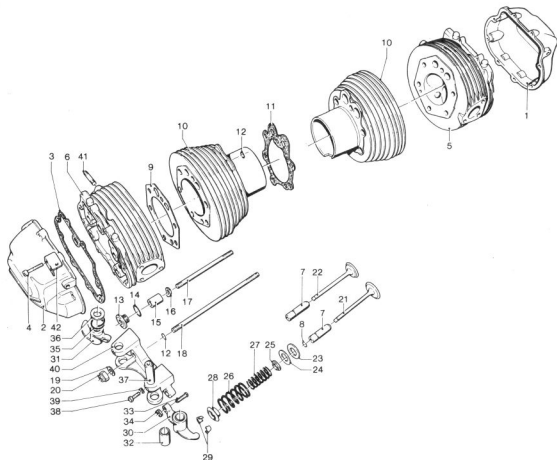
SEIMM

MOTO GUZZI

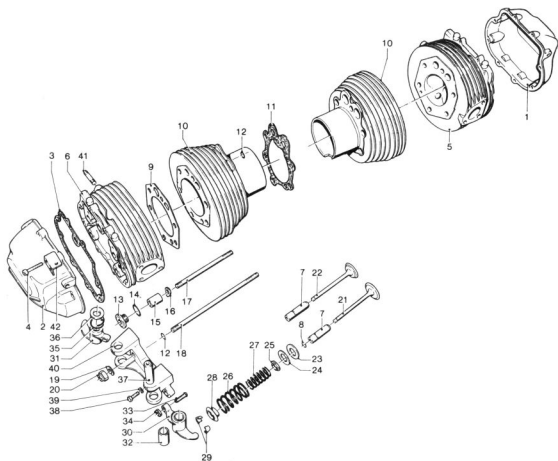
850 **Le Mans**

Cod. 14 92 00 51

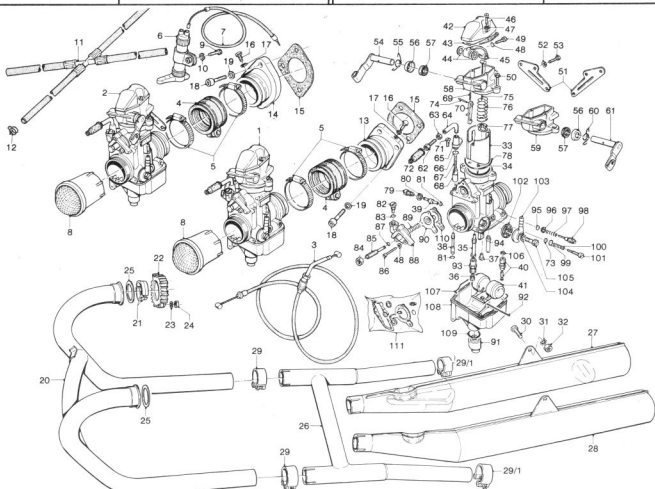
Edizione settembre 1978



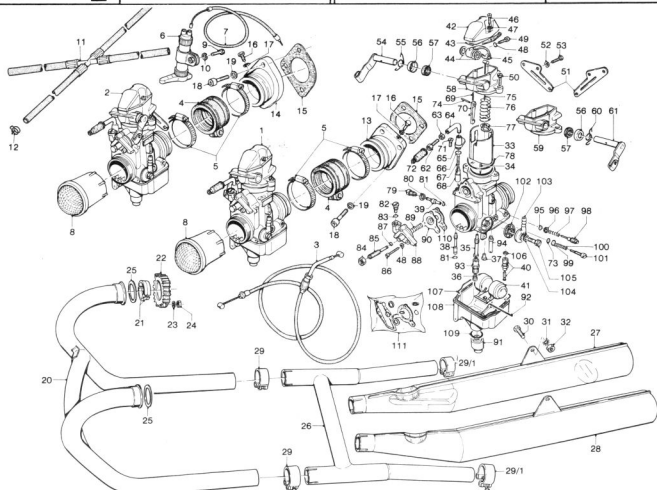
NOTE NOTES NOTES NOTES MARKE	POS. N.	N. COD. CODE No. No. CODE CODE Nr.	Q.tà Q.ty Q.té M.ge	DENOMINAZIONE	DESCRIPTION	DESIGNATION	BEZEICHNUNG
	1	14 02 35 50	1	Coperchio testa dx.	R.H. head cover	Couvercle culasse D	Zylinderkopfdeck. R.
	2	14 02 36 50	1	Coperchio testa sx.	L.H. head cover	Couvercle culasse G	Zylinderkopfdeck. L.
	3	12 02 37 00	2	Guarnizione	Gasket	Joint	Dichtung
	4	98 62 03 25	16	Vite coperchio teste	Screw	Vis	Schraube
	5	14 02 21 50	1	Testa dx.	R.H. head	Culasse D	Zylinderkopf. R
	6	14 02 22 50	1	Testa sx.	L.H. head	Culasse G	Zylinderkopf. L.
	7	13 03 68 01	4	Guida valv. asp. e scar.	Valve guide	Guide de soupape	Ventilführung
	8	90 35 30 16	4	Anello elastico	Circlip	Jonc élastique	Spannring
	9	14 02 20 50	2	Guarnizione	Gasket	Joint	Dichtung
	10	17 02 02 00	2	Cilindro	Cylinder	Cylindre	Zylinder
	11	14 02 08 50	2	Guarnizione	Gasket	Joint	Dichtung
	12	90 70 60 90	12	Anello di tenuta	Seal ring	Bague d'étanchéité	Dichtring
	13	12 02 26 00	2	Tappo testa	Head plug	Bouchon de culasse	Zylinderkopfstopfen
	14	90 70 62 03	2	Anello di tenuta	Seal ring	Bague d'étanchéité	Dichtring
	15	13 02 19 00	2	Dado a colonna	Nut	Ecrou	Mutter
	16	95 12 91 80	2	Rondella elastica	Spring washer	Rondelle élastique	Federring
	17	12 02 18 00	4	Tirante corto	Short tie bar	Tirant court	Kurze Tragstange
	18	12 02 17 00	8	Tirante lungo	Long tie bar	Tirant long	Lange Tragstange
	19	14 01 84 00	10	Rosetta elastica	Spring washer	Rondelle élastique	Mutter
	20	92 60 20 10	10	Dado	Nut	Ecrou	Unterstützung
	21	14 03 60 50	2	Valvola aspirazione	Intake valve	Soupape d'admission	Einlassventil
	22	14 03 61 50	2	Valvola scarico	Exhaust valve	Soupape d'échappem.	Auslassventil
	23	13 03 72 00	4	Rosetta	Washer	Rondelle	Scheibe
	24	14 03 73 00	10	Rosetta di spessore	Flat washer	Rondelle plate	Ring
	25	13 03 70 00	4	Piattello inferiore	Lower cup	Coupelle inférieure	Untere Manschette
	26	13 03 74 00	4	Molla esterna	External spring	Ressort extérieur	Außenfeder
	27	13 03 76 00	4	Molla interna	Internal spring	Ressort intier	Innenfeder
	28	14 03 80 00	4	Piattello superiore	Upper cup	Coupelle supérieure	Obere Manschette
	29	12 03 81 00	8	Semicorno per valvole	Valve half cone	Demi-cône de soupape	Ventilhalbkegel
	30	14 03 02 00	2	Bilanciere dx. compl.	R.H. rocker arm, assy	Culbuteur D. complet	Kipphebel R. kpl.
	31	14 03 04 00	2	Bilanciere sx. compl.	L.H. rocker arm, assy	Culbuteur G. complet	Kipphebel L. kpl.
	32	91 11 15 11	4	Boccola	Bush	Bague	Buchse
	33	17 03 40 50	4	Vite registro	Adjusting screw	Vis de réglage	Einstellschraube
	34	10 03 41 00	4	Dado	Nut	Ecrou	Mutter
	35	94 32 22 15	4	Molla per bilancieri	Rocker arm spring	Ressort pour culbuteur	Kipphebefeder
	36	90 11 81 52	4	Rosetta di spessore	Shim	Rondelle d'épaisseur	Pass-Scheibe

850 LMTavola - Drawing
Table - Bild**1**TESTA - CILINDRI
HEAD - CYLINDERS
CULASSE - CYLINDRES
KOPF - ZYLINDERSEIMM
MOTO GUZZI

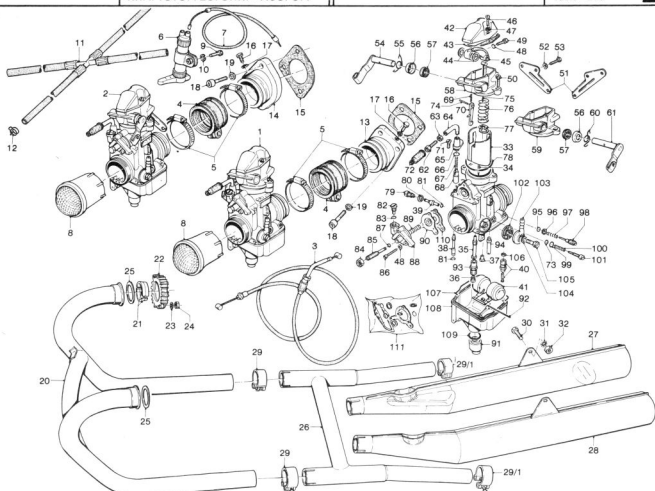
NOTE NOTES NOTES MARKE	POS. N.	N. COD. CODE No. No. CODE CODE Nr.	Q.tà Q.ty Q.té M.ge	DENOMINAZIONE	DESCRIPTION	DESIGNATION	BEZEICHNUNG
	37	12 03 18 00	4	Perno per bilancieri	Rocker pin	Pivot pour culbuteurs	Lagerbolzen
	38	98 05 43 14	4	Vite	Screw	Vis	Schraube
	39	95 12 00 65	4	Rosetta elastica	Spring washer	Rondelle élastique	Federring
	40	12 03 48 00	2	Supporto bilancieri	Rocker support	Support culbuteurs	Kupfbelstütze
	41	96 50 80 42	4	Prigioniero	Stud bolt	Goujon prisonnier	Stiftschraube
	42	17 13 56 50	1	Mensola disp. starter	Bracket	Support	Stütze



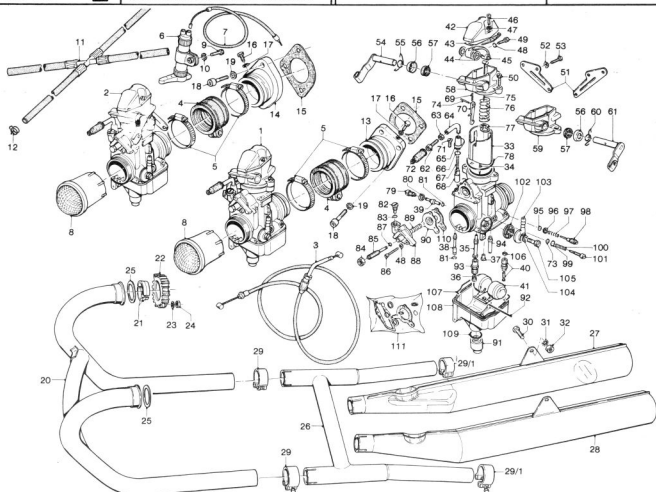
NOTE NOTES NOTES MARKE	POS. N.	N. COD. CODE No. CODE CODE Nr.	Q.tà Q.ty Q.16 M.ge	DENOMINAZIONE	DESCRIPTION	DESIGNATION	BEZEICHNUNG
	1	14 11 26 50	1	Carburatore destro	R.H. carburetor	Carburateur D	Vergaser, R.
	2	14 11 26 51	1	Carburatore sinistro	L.H. carburetor	Carburateur G	Vergaser, L.
	3	14 11 75 50	2	Trasmissione com. gas	Twist-grip cable	Câble comm. gaz	Gasgriffkabel
	4	14 11 43 50	2	Manicotto	Sleeve	Manchon	Passbuchse
	5	12 54 84 01	4	Fascetta fiss. manic.	Clamp	Collier	Schelle
	6	17 13 31 50	1	Comando starter	Starter device	Commande de starter	Starterbetätigung
	7	14 13 35 50	2	Trasmiss. com. starter	Starter device cable	Câble comm. starter	Startergriffkabel
	8	14 11 44 50	2	Cornetto per carbur.	Air funnel	Buse	Ansaugrichter
	9	98 05 42 10	1	Vite fiss. com. starter	Screw	Vis	Schraube
	10	95 02 11 05	1	Rosetta	Tooth washer	Rondelle dentée	Zahnscheibe
	11	14 10 65 50	1	Tubaz carbur. compl.	Piping, compl.	Canalisation compl.	Rohrverbindung, kpl.
	12	61 10 84 00	4	Fascetta	Clamp	Collier	Schelle
	13	14 11 50 50	1	Pipa aspiraz. dx	R.H. manifold	Pipe D	Ansaugkrümmer, R.
	14	14 11 50 51	1	Pipa aspiraz. sx	L.H. manifold	Pipe G	Ansaugkrümmer, L.
	15	14 11 55 50	2	Guarnizione isolante	Isolating washer	Joint isolante	Isolierdichtung
	16	98 34 60 10	2	Vite chius. toro pipe	Screw	Vis	Schraube
	17	95 10 01 16	2	Ranella per vite	Washer	Rondelle	Scheibe
	18	98 62 03 30	6	Vite fiss. pipa alla testa	Screw	Vis	Schraube
	19	95 00 02 06	6	Rosetta per vite	Washer	Rondelle	Scheibe
	20	14 12 07 51	1	Gruppo tubi scar. comp.	Exhaust pipe set, comp.	Groupe tuyau éch. com.	Auspuffrohr Gr. kpl.
	21	14 12 12 50	4	Distanziale per flangia	Spacer	Entretoise	Distanzstück
	22	14 12 10 50	2	Flangia fiss. tubi	Flange	Flasque	Flansch
	23	14 61 59 01	4	Rosetta di sicurezza	Washer	Rondelle	Scheibe
	24	92 60 22 08	4	Dado fiss. flangia	Nut	Ecrou	Mutter
	25	90 71 83 70	2	Guarnizione	Gasket	Joint	Dichtung
	26	14 12 39 51	1	Camera di espansione	Expansion chamber	Chambre de détente	Expansionsraum
	27	14 12 30 51	1	Silenziatore destro	R.H. silencer	Silencieux D	Schalldämpfer, R.
	28	14 12 29 51	1	Silenziatore sinistro	L.H. silencer	Silencieux G	Schalldämpfer, L.
	29	14 12 69 51	2	Fascetta tenuta tubi scar. e cam. di espans.	Expansion chamber and exhaust pipes clamp	Collier chambre de détente et tuyau éch.	Auspuffrohr-Expansion.
	29/1	14 12 34 51	2	Fascetta silenziatore	Silencer clamp	Collier silencieux	Schelle
	30	98 07 44 16	2	Vite fiss. silenziatore	Screw	Vis	Schalldämpferschelle
	31	95 02 11 08	2	Rosetta elast. dentell.	Tooth washer	Rondelle dentée	Zahnscheibe
	32	92 60 22 08	2	Dado per vite fiss. sil.	Nut	Ecrou	Mutter
	33	14 93 75 50	1	Valvola gas	Throttle valve	Papillon de gaz	Drosselklappe
	34	14 93 77 50	1	Spillo conico serie K	Jet needle	Aiguille	Nadel



NOTE NOTES NOTES MARKE	POS. N.	N. COD. CODE No. No. CODE CODE Nr.	Q.tà Q.ty No. Ml.ge	DENOMINAZIONE	DESCRIPTION	DESIGNATION	BEZEICHNUNG
	35	14 93 55 50	1	Polverizzatore	Atomizer	Pulvérisateur	Zerstäuber
	36	14 93 57 51	1	Getto massimo	Main jet	Gicleur principal	Hauptdüse
	37	14 93 50 50	1	Getto minimo	Pilot jet	Gicleur de ralenti	Leerlaufdüse
	38	14 93 60 50	1	Getto avviamento	Starting jet	Gicleur de starter	Starterdüse
	39	14 93 90 50	1	Getto pompa	Pump jet	Gicleur de pompe	Pumpedüse
	40	14 93 91 50	1	Valvola a spillo	Needle valve	Pointeau	Nadelventil
	41	13 93 30 00	1	Galleggiante	Float	Flotteur	Schwimmer
	42	14 93 31 50	1	Coperchio leva gas	Cover	Couvercle	Deckel
*	43		1	Guarniz. cop. leva gas	Gasket	Joint	Dichtung
*	44		2	Guarniz. leva c. gas	Gasket	Joint	Dichtung
	45	14 93 35 50	1	Leva com. gas	Twist-grip lever	Levier comm. gaz	Gasgriffhebel
	46	14 93 34 50	2	Vite fiss. cop. leva	Screw	Vis	Schraube
	47	14 93 36 50	2	Rondella elastica	Spring washer	Rondelle élastique	Federring
	48	13 93 29 00	4	Rondella elastica	Spring washer	Rondelle élastique	Federring
	49	61 93 45 00	1	Vite fiss. leva gas	Screw	Vis	Schraube
	50	14 93 46 50	2	Vite fiss. cop. cam. misc.	Screw	Vis	Schraube
	51	14 93 47 50	2	Supp. com. gas dx e sx	Support	Support	Halter
	52	14 93 48 50	2	Rondella elastica	Spring washer	Rondelle élastique	Federring
	53	14 93 49 50	2	Vite fiss. supporto	Screw	Vis	Schraube
	54	14 93 51 50	1	Albero com. gas (carburatore destro)	Shaft (R.H. carburetor)	Arbre comm. gaz (carburateur D)	Welle (Vergaser. R.)
	55	14 93 53 50	1	Molla rich. albero gas (carburatore destro)	Shaft spring (R.H. carburetor)	Ressort arbre (carburateur D)	Wellenfeder (Vergaser. R.)
	56	14 93 54 50	1	Coperchio guarnizione	Gasket cover	Couvercle joint	Dichtungdeckel
*	57		1	Guarnizione albero gas	Gasket	Joint	Dichtung
	58	14 93 59 50	1	Coperchio cam. misc. (carburatore destro)	Mixture cham. cover (R.H. carburetor)	Couvercle ch. mél. (carburateur D)	Mischungraumdeckel (Vergaser. R.)
	59	14 93 61 50	1	Coperchio cam. misc. (carburatore sinistro)	Mixture cham. cover (L.H. carburetor)	Couvercle ch. mél. (carburateur G)	Mischungraumdeckel (Vergaser. L.)
	60	14 93 62 50	1	Molla carbur. sx	L.H. carb spring	Ressort carbur. G	Vergaserfeder. L.
	61	14 93 58 50	1	Albero com. gas sx	L.H. shaft	Arbre G	Welle. L.
	62	49 93 87 00	1	Vite tendifilo	Screw	Vis	Schraube
	63	49 93 88 00	1	Dado	Nut	Ecrou	Mutter
	64	14 93 79 50	1	Tubetto deviatore	Pipe	Tuyau	Rohr
	65	17 93 74 50	1	Coperchio valv. avv.	Cover	Couvercle	Deckel
*	66		1	Guarnizione	Gasket	Joint	Dichtung
	67	13 93 76 00	1	Molla valvola avviam.	Spring	Ressort	Feder

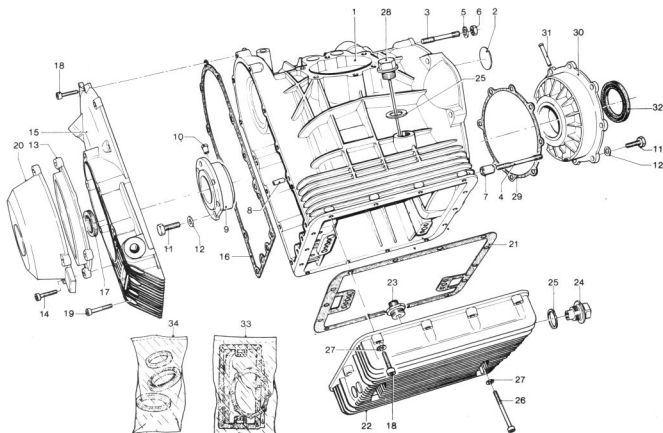


NOTE NOTES NOTES MARKE	POS. N	N. COD. CODE No. No. CODE CODE Nr.	Q.tà Q.ty Q.té M.ge	DENOMINAZIONE	DESCRIPTION	DESIGNATION	BEZEICHNUNG
	68	13 93 78 00	1	Valvola avviamento	Starter valve	Soupage de starter	Starterventil
	69	14 93 80 50	1	Molla	Spring	Ressort	Feder
	70	14 93 81 50	1	Leva com. pompa	Pump device lever	Lever comm. pompe	Pumpebetätigungshebel
	71	13 93 79 00	1	Vite	Screw	Vis	Schraube
*	72		1	Cappuccio cavo	Cap	Capuchon	Kappe
	73		1	Guarnizione	Gasket		Dichtung
	74	14 93 83 50	1	Perno leva com. pompa	Pivot	Pivot	Stift
	75	14 93 84 50	1	Tirante valvola gas	Tie bar	Tirant	Stange
	76	14 93 86 50	1	Molla	Spring	Ressort	Feder
	77	14 93 85 50	1	Fermaglio spillo con.	Clip	Agrafe	Schelle
*	78		1	Guarnizione	Gasket	Joint	Dichtung
	79	14 93 23 50	1	Portagetto pompa	Jet holder	Porte gicleur	Düsenträger
*	80		1	Guarnizione	Gasket	Joint	Dichtung
*	81		2	Guarnizione	Gasket	Joint	Dichtung
*	82	14 93 71 50	1	Valvola mandata pompa	Pump valve	Soupage pompe	Pumpeventil
*	83		1	Guarnizione	Gasket	Joint	Dichtung
	84	14 93 64 50	1	Dado	Nut	Ecrou	Mutter
	85	14 93 65 50	1	Vite	Screw	Vis	Schraube
	86	14 93 66 50	3	Vite	Screw	Vis	Schraube
*	87		1	Guarnizione	Gasket	Joint	Dichtung
	88	14 93 68 50	1	Coperchio pompa	Pump cover	Couvercle pompe	Pumpedeckel
	89	14 93 69 50	1	Molla membr. pompa	Spring	Ressort	Feder
	90	14 93 10 50	1	Membrana pompa	Pump diaphragm	Diaphragme pompe	Pumpemembran
	91	14 93 18 50	1	Tappo fiss. vaschetta	Plug	Bouchon	Stöpsel
	92	13 93 31 00	1	Perno galleggiante	Float pin	Axe de flotteur	Schwimmerachse
	93	14 93 12 50	1	Portagetto massimo	Main jet holder	Porte gicleur principal	Hauptdüsenträger
	94	14 93 13 50	1	Valvola aspirazione	Intake valve	Soupage d'admission	Elassventil
*	95		1	Guarnizione	Gasket	Joint	Dichtung
	96	14 93 15 50	1	Rondella piana	Washer	Rondelle	Scheibe
	97	13 93 03 00	1	Molla	Spring	Ressort	Feder
	98	13 93 02 00	1	Vite	Screw	Vis	Schraube
	99	14 93 16 50	1	Rondella piana	Washer	Rondelle	Scheibe
	100	13 93 67 00	1	Molla	Spring	Ressort	Feder
	101	13 93 66 00	1	Vite	Screw	Vis	Schraube
*	102		1	Filtro benzina	Filter	Tamis	Sieb
	103	13 93 46 00	1	Pipetta racc. tubo ben.	Adaptor	Raccord	Adapter

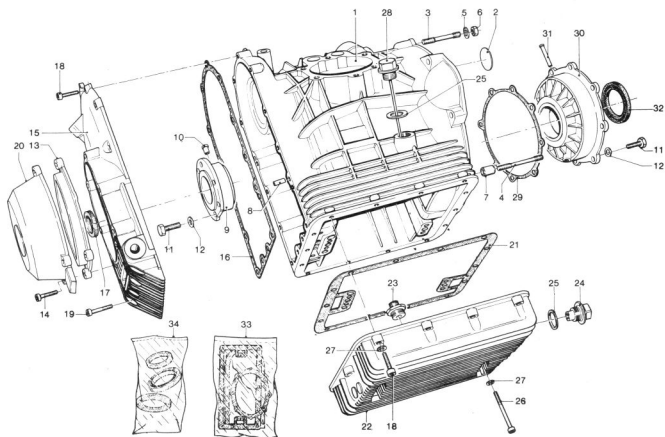
850 LMTavola - Drawing
Table - Bild**2**ALIMENTAZIONE - SCARICO
FUEL SYSTEM - EXHAUST
ALIMENTATION - ECHAPPEMENT
KRAFTSTOFFZUFÜHR. - AUSPUFFSEIMM
MOTO GUZZI

NOTE NOTES NOTES MARKE	POS. N.	N. COD. CODE No. No. CODE CODE Nr.	Q.ta Q.ty Q.té M.ge	DENOMINAZIONE	DESCRIPTION	DESIGNATION	BEZEICHNUNG
---------------------------------	------------	---	------------------------------	---------------	-------------	-------------	-------------

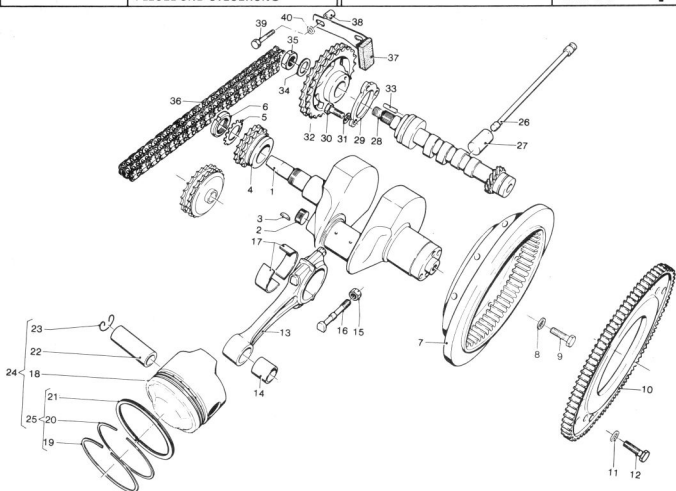
*	104		1	Guarnizione	Gasket	Joint	Dichtung
*	105	13 93 49 00	1	Vite	Screw	Vis	Schraube
*	106		1	Guarnizione	Gasket	Joint	Dichtung
*	107		1	Guarnizione	Gasket	Joint	Dichtung
	108	13 93 44 00	1	Vaschetta	Float chamber	Cuve à niveau	Schwimmergehäuse
*	109		1	Guarnizione	Gasket	Joint	Dichtung
*	110		1	Guarn. per membr. pompa	Gasket	Joint	Dichtung
*	111	14 93 99 50	1	Gruppo guarniz. carbur.	Carburetor gasket set	Groupe joints carbur.	Vergaserdichtungssatz
				(formato dai particolari indicati da *)	(made up to the items indicated with *)	(formé par les pièces indiquées avec *)	(ersetzt sich aus den mit * gezeigten Teilen)



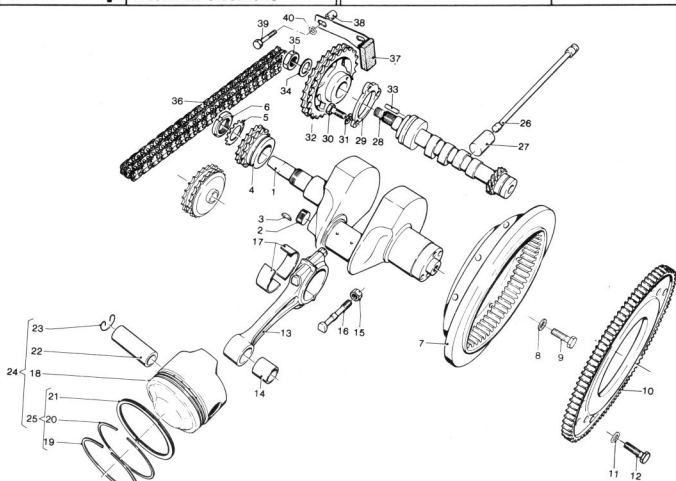
NOTE NOTES NOTES MARKE	POS. N.	N. COD. CODE No. No. CODE CODE Nr.	Q.tà Q.ty Q.té M.gé	DENOMINAZIONE	DESCRIPTION	DESIGNATION	BEZEICHNUNG
	1	14 00 07 00	1	Basamento motore	Crankcase	Carter moteur	Kurbelgehäuseunterteil
	2	12 00 39 00	1	Fondello	Plug	Bouchon	Stopfen
	3	96 50 80 66	4	Prigioniero corto	Short stud	Goujon cort	Kurze Stiftschraube
	4	96 50 80 75	2	Prigioniero lungo	Long stud	Goujon long	Lange Stiftschraube
	5	95 00 42 08	5	Rosetta	Washer	Rondelle	Scheibe
	6	92 60 22 08	6	Dado	Nut	Ecrou	Mutter
	7	12 01 89 00	2	Bussola riferimento	Coupling bush	Bague d'accouplement	Kupplungsbuchse
	8	95 51 20 81	2	Spina di riferimento	Connecting pin	Axe de liaison	Haltebolzen
	9	14 01 19 00	1	Flangia lato distrib. compl. di cuscinetto	Flange with bearing complete	Flasque avec roulement complete	Flansch mit Lager, kpl.
	9	14 01 19 01	1	Flangia (min. mm 0,2)	Flange (undersize mm 0.2)	Flasque (minoré mm 0.2)	Flansch (Untergrosse mm 0.2)
	9	14 01 19 02	1	Flangia (min. mm 0,4)	Flange (undersize mm 0.4)	Flasque (minoré mm 0.4)	Flansch (Untergrosse mm 0.4)
	9	14 01 19 03	1	Flangia (min. mm 0,6)	Flange (undersize mm 0.6)	Flasque (minoré mm 0.6)	Flansch (Untergrosse mm 0.6)
	10	12 01 22 00	1	Spina	Peg	Bonhomme	Stift
	11	98 05 44 25	14	Vite	Screw	Vis	Schraube
	12	61 27 03 00	14	Rosetta	Washer	Rondelle	Schraube
	13	18 00 11 50	1	Flangia cop. gener.	Flange	Flasque	Flansch
	14	98 31 06 30	4	Vite fiss. cop. gen.	Screw	Vis	Schraube
	15	14 00 14 00	1	Coperchio distribuz.	Timing cover	Couvercle de distrib.	Steuergehäusedeckel
	16	12 00 12 00	1	Guarnizione	Gasket	Joint	Dichtung
	17	90 40 28 39	1	Anello	Ring	Bague	Ring
	18	98 62 03 25	22	Vite corta	Short screw	Vis courte	Kurze Schraube
	19	98 62 03 35	6	Vite lunga	Long screw	Vis longue	Lange Schraube
	20	19 00 16 00	1	Coperchio generatore	Alternator cover	Couvercle de l'altern.	Generatordeckel
	21	14 00 36 00	1	Guarnizione coppa	Sump gasket	Joint du carter	Dichtung
	22	14 00 35 00	1	Coppa olio	Oil sump	Carter d'huile	Ölwanne
	23	14 00 38 00	1	Raccordo	Connection	Raccord	Anschluss
	24	12 00 37 02	1	Tappo scarico olio	Oil drain plug	Bouchon de vid. huile	Ölablassschraube
	25	95 10 07 09	2	Guarnizione	Gasket	Joint	Dichtung
	26	98 05 23 55	4	Vite lunga	Long screw	Vis longue	Lange Schraube
	27	95 00 42 06	18	Rosetta	Washer	Rondelle	Scheibe
	28	17 00 49 51	1	Tappo olio	Oil filler plug	Bouchon de rempl. huile	Öleinfüllstutzen
	29	12 01 18 00	1	Guarnizione flangia	Flange gasket	Joint de flasque	Flanschdichtung

850 LMTavola - Drawing
Table - Bild**3****BASAMENTO E COPERCHI
CRANKCASE - COVERS
CARTER MOTEUR - COUVERCLES
KURBELGEHÄUSEUNT. - DECKEL****SEIMM
MOTO GUZZI**

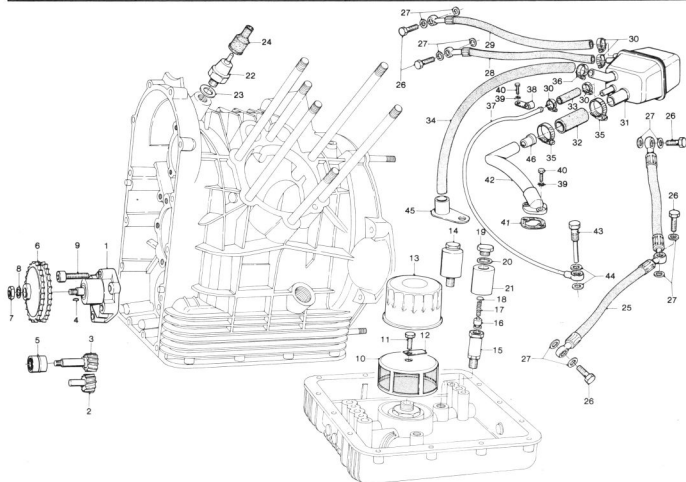
NOTE NOTES MARKE	POS. N.	N. COD. CODE No. No. CODE CODE Nr.	Q.tà Q.ty Q.té M.ge	DENOMINAZIONE	DESCRIPTION	DESIGNATION	BEZEICHNUNG
	30	12 01 14 00	1	Flangia lato volano compl. di cuscinetto	Flange with bearing, complete	Flasque avec roulem. complète	Flansch mit Lager, kpl.
	30	12 01 14 01	1	Flangia (min. mm 0,2)	Flange (undersize mm 0,2)	Flasque (minoré mm 0,2)	Flansch (Untergrösse mm 0,2)
	30	12 01 14 02	1	Flangia (min. mm 0,4)	Flange (undersize mm 0,4)	Flasque (minoré mm 0,4)	Flansch (Untergrösse mm 0,4)
	30	12 01 14 03	1	Flangia (min. mm 0,6)	Flange (undersize mm 0,6)	Flasque (minoré mm 0,6)	Flansch (Untergrösse mm 0,6)
	31	12 01 17 00	1	Spina	Peg	Bonhomme	Stift
	32	90 40 53 67	1	Anello di tenuta	Seal ring	Bague d'étanchéité	Dichtring
	33	14 99 90 50	1	Gruppo guarnizioni	Gasket set	Ensemble de joints	Dichtungsausrüstung
	34	17 99 95 50	1	Gruppo paraoli	Oil retainer set	Ensemble déflex. huile	Ölspritzringausrüstung
	—	14 99 10 50	1	Motore completo	Engine assy	Moteur complet	Motor, kpl.
	—	14 99 14 50	1	Motore compl. cambio	Engine & gearbox, assy	Moteur et B.V. compl.	Motor u. Wechselgetr. kpl.



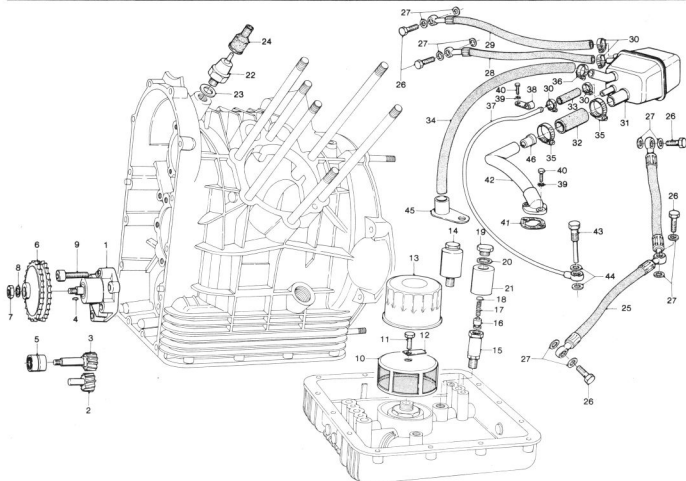
NOTE NOTES NOTES MARKE	POS. N.	N. COD. CODE No. No. CODE CODE Nr.	Q.tà Qty Q.té M.ge	DENOMINAZIONE	DESCRIPTION	DESIGNATION	BEZEICHNUNG
	1	14 06 42 03	1	Albero motore	Crankshaft	Vilebrequin	Kurbelwelle
	2	12 06 54 00	1	Tappe	Plug	Bouchon	Stopfen
	3	91 70 23 55	1	Chiavella	Cotter	Clavette	Keil
	4	14 07 20 01	1	Pignone motore	Driving pinion	Pignon d'attaque	Antriebritzel
	5	95 02 80 25	1	Rosetta	Washer	Rondelle	Scheibe
	6	93 60 10 26	1	Ghiera bloccaggio	Ring nut	Collier de serrage	Gewindering
	7	14 06 70 50	1	Volano motore	Flywheel	Volant	Schwungrad
	8	14 61 59 01	6	Rondella	Washer	Rondelle	Scheibe
	9	12 06 77 01	6	Vite	Screw	Vis	Schraube
	10	17 06 79 00	1	Corona dentata	Flywheel ring gear	Couronne dentée	Schwungradkranz
	11	95 12 00 85	8	Rosetta elastica	Spring washer	Rondelle elastique	Federring
	12	98 05 44 20	8	Vite	Screw	Vis	Schraube
	13	14 06 15 50	2	Biella completa	Connecting rod, assy	Bielle complète	Pleuellstange, kpl.
	14	91 11 21 22	1	Boccola	Bush	Bague	Buchse
	15	92 73 10 90	4	Dado autobloccante	Self-locking nut	Ecrou de sûreté	Sicherungsmutter
	16	14 06 22 01	4	Vite	Screw	Vis	Schraube
	17	12 06 20 05	4	Semicuscineti di biella	Big end half bearing	Demi-couss. tête bielle	Pleuellagerschale
	17	12 06 20 06	4	Semicuscinetto (min. mm 0,254)	Half-bearing under-size mm 0,254)	Demi-coussinet (minoré mm 0,254)	Lagerschale (Untergrösse mm 0,254)
	17	12 06 20 07	4	Semicuscinetto (min. mm 0,508)	Half-bearing under-size mm 0,508)	Demi-coussinet (minoré mm 0,508)	Lagerschale (Untergrösse mm 0,508)
	17	12 06 20 08	4	Semicuscinetto (min. mm 0,762)	Half-bearing under-size mm 0,762)	Demi-coussinet (minoré mm 0,762)	Lagerschale (Untergrösse mm 0,762)
	18	14 06 04 50	2	Pistone	Piston	Piston	Kolben
	18	14 06 05 51	2	Pistone (magg. 4/10)	Piston (oversize 4/10)	Piston (majoré 4/10)	Kolben (über 4/10)
	18	14 06 05 52	2	Pistone (magg. 6/10)	Piston (oversize 6/10)	Piston (majoré 6/10)	Kolben (über 6/10)
	19	17 06 07 00	2	Fascia elast. super.	Piston ring	Segment d'étanchéité	Kolbenring
	19	17 06 07 01	2	Fascia sup. (magg. 4/10)	Piston ring (over 4/10)	Seg. d'étanch. (m. 4/10)	Kolbenring (über. 4/10)
	19	17 06 07 02	2	Fascia sup. (magg. 6/10)	Piston ring (over 6/10)	Seg. d'étanch. (m. 6/10)	Kolbenring (über. 6/10)
	20	17 06 09 00	2	Fascia elast. intern.	Piston ring	Segment d'étanchéité	Kolbenring
	20	17 06 09 01	2	Fascia int. (magg. 4/10)	Piston ring (over 4/10)	Seg. d'étanch. (m. 4/10)	Kolbenring (über. 4/10)
	20	17 06 09 02	2	Fascia int. (magg. 6/10)	Piston ring (over 6/10)	Seg. d'étanch. (m. 6/10)	Kolbenring (über. 6/10)
	21	17 06 10 00	2	Fascia elast. raschiaolio	Scraper ring	Segment racler	Ölabstreifer
	21	17 06 10 01	2	Fascia raschiaolio (magg. 4/10)	Scraper ring (oversize 4/10)	Segment racler (über. 4/10)	Ölabstreifer (über. 4/10)
	21	17 06 10 02	2	Fascia raschiaolio (magg. 6/10)	Scraper ring (oversize 6/10)	Segment racler (majoré 6/10)	Ölabstreifer (über. 6/10)



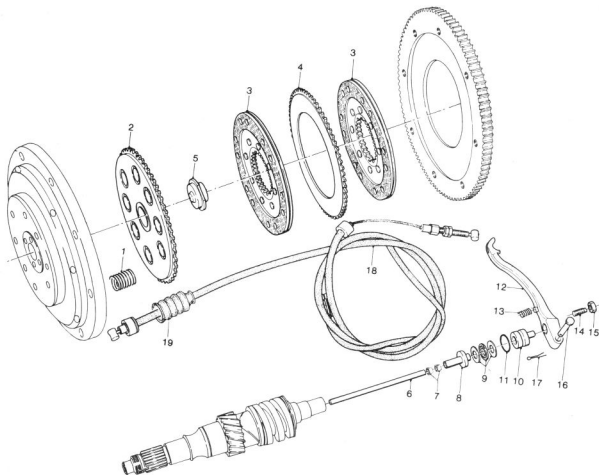
NOTE NOTES NOTES MARKE	POS. N.	N. COD. CODE No. No. CODE CODE Nr.	Q.tà Q.ty Q.té M.ge	DENOMINAZIONE	DESCRIPTION	DESIGNATION	BEZEICHNUNG
	22	13 06 12 60	2	Spinotto	Wrist pin	Axe de piston	Kolbenbolzen
	23	90 35 10 37	4	Mollella	Circlip	Jonc d'arrêt	Sprengring
	24	14 06 02 50	2	Pistone completo	Piston, assy	Piston complet	Kolben, kpl.
	24	14 06 03 51	2	Pistone completo (magg. 4/10)	Piston, assy (oversize 4/10)	Piston complet (majoré 4/10)	Kolben, kpl (über 4/10)
	24	14 06 03 52	2	Pistone completo (magg. 6/10)	Piston, assy (oversize 6/10)	Piston complet (majoré 6/10)	Kolben, kpl (über 6/10)
	25	14 06 06 50	2	Gruppo fasce elastiche	Piston ring set	Ensemble de segments	Kolbenringausrüstung
	25	14 06 06 51	2	Gruppo fasce elastiche (magg. 4/10)	Piston ring set (oversize 4/10)	Ensemble de segments (majoré 4/10)	Kolbenringausrüstung (über 4/10)
	25	14 06 06 52	2	Gruppo fasce elastiche (magg. 6/10)	Piston ring set (oversize 6/10)	Ensemble de segments (majoré 6/10)	Kolbenringausrüstung (über 6/10)
	26	17 04 50 50	4	Astina com. bilancieri	Tapper stem	Tige de poussoir	Stosstange
	27	10 04 58 00	4	Punterie	Valve plunger	Poussoir de soupape	Ventilstossel
	27	10 04 58 01	4	Punterie (magg. mm 0,05)	Valve plunger (oversize mm 0,05)	Poussoir de soupape (majoré mm 0,05)	Ventilstossel (Obergrösse mm 0,05)
	27	10 04 58 02	4	Punterie (magg. mm 0,10)	Valve plunger (oversize mm 0,10)	Poussoir de soupape (majoré mm 0,10)	Ventilstossel (Obergrösse mm 0,10)
	28	14 05 33 01	1	Albero a camme	Camshaft	Arbre de distribution	Nockenwelle
	29	12 05 40 00	1	Flangia	Flange	Flasque	Flansch
	30	98 05 43 20	3	Vite	Screw	Vis	Schraube
	31	95 12 00 65	3	Rosetta	Washer	Rondelle	Scheibe
	32	13 05 45 02	1	Ingr. com. distrib.	Camshaft gear	Pignon d'arbre distrib.	Nockenwellenrad
	33	95 51 20 60	1	Spina	Pin	Goupille Mecanindus	Stift
	34	14 43 34 00	1	Rosetta	Washer	Rondelle	Scheibe
	35	92 60 25 18	1	Dado	Nut	Ecrout	Mutter
	36	13 05 80 00	1	Catena com. distrib.	Timing chain	Chaîne de distrib.	Steuerkette
	37	13 05 82 00	1	Piastra tendicatena	Chain stretching drive	Goupille de chaîne	Keitenspanner
	38	91 18 09 15	2	Tubetto distanziale	Spacer	Entretoise	Distanzstück
	39	98 05 44 40	2	Vite	Screw	Vis	Schraube
	40	61 27 03 00	2	Rosetta elast. ondul.	Washer	Rondelle	Scheibe



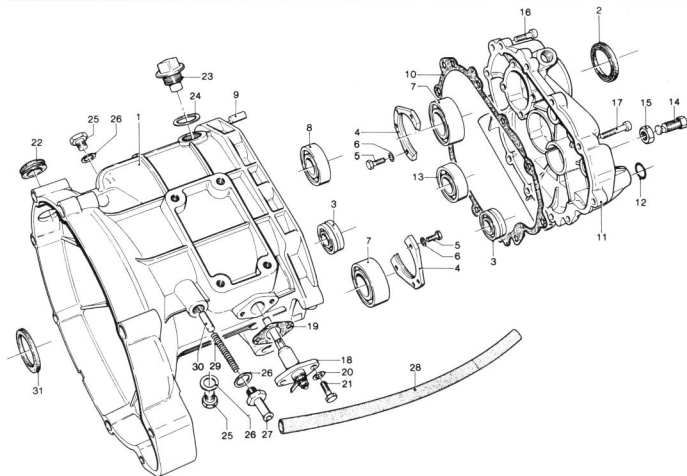
NOTE NOTES NOTES MARKE	POS. N.	N. COD. CODE No. No. CODE CODE Nr.	Q.tà Q.ty Q.té M.ge	DENOMINAZIONE	DESCRIPTION	DESIGNATION	BEZEICHNUNG
	1	13 14 64 02	1	Pompa olio compl. senza ingr. comando	Oil pump compl (N. 6 excl.)	Pompe à huile compl (N. 6 exclu.)	Ölpumpe, kpl. (N. 6 aus.)
	2	13 14 84 00	1	Ingranaggio condotto	Driven gear	Pignon mené	Zahnrad getrieben
	3	13 14 78 00	1	Ingranaggio conduttore	Drive gear	Pignon menant	Steuerzrad
	4	13 14 83 00	1	Chiavella	Key	Clavette	Keil
	5	92 25 22 10	1	Cuscinetto a rullini	Needle bearing	Roulement à aiguilles	Nadellager
	6	13 14 77 01	1	Ingr. comando pompa	Pump driving gear	Roue d'entrain. pompe	Zahnrad
	7	92 60 23 08	1	Dado	Nut	Ecrou	Mutter
	8	95 12 00 85	1	Rosetta	Washer	Rondelle	Scheibe
	9	98 62 24 30	4	Vite	Screw	Vis	Schraube
	10	14 15 22 00	1	Filtro olio a rete	Gauze	Tamis	Sieb
	11	98 05 43 16	1	Vite	Screw	Vis	Schraube
	12	95 18 70 06	1	Piastrina di sicurezza	Lock plate	Plaquette frein	Schliessblech
	13	14 15 30 00	1	Filtro olio a cartuccia	Cartridge	Cartouche	Patrone
	14	14 15 82 00	1	Valvola regolazione	Control valve	Clapet de décharge	Drucksteuerventil
	15	10 15 87 01	1	Corpo valvola	Valve housing	Corps de clapet	Ventilgehäuse
	16	12 15 09 00	1	Pistone per valvola	Valve piston	Piston de clapet	Ventilkolben
	17	94 32 10 72	1	Molla per valvola	Valve spring	Ressort de clapet	Ventilfeder
	18	12 15 07 00	1	Fondello per valvola	Bottom disc	Rondelle butée	Verschlusszscheibe
	19	12 15 90 00	1	Tappo per valvola	Valve plug	Bouchon de clapet	Ventilstopfen
	20	95 10 05 07	1	Rosetta	Washer	Rondelle	Scheibe
	21	14 15 88 00	1	Scodellino	Cup	Coupelle	Manschette
	22	17 76 87 50	1	Trasmettitore segnal.	Oil indicator	Mano-contact	Ölanzeige
	23	12 00 64 00	1	Rosetta alluminio	Washer	Rondelle	Scheibe
	24	12 71 76 00	1	Cappuccio trasmett.	Cap	Capuchon	Schutzkappe
	25	14 15 36 01	1	Tubazione	Pipe	Tuyau	Rohr
	26	95 99 00 37	5	Vite cava	Hollow screw	Vis creuse	Hohlverschraubung
	27	12 15 42 00	10	Rosetta	Washer	Rondelle	Scheibe
	28	17 15 96 00	1	Tubaz. sfiato testa dx	Pipe	Tuyau	Rohr
	29	17 15 97 00	1	Tubaz. sfiato testa sx	Pipe	Tuyau	Rohr
	30	12 10 84 00	4	Fascetta	Clamp	Collier	Schelle
	31	14 15 57 00	1	Sfiatatoio compl.	Breather eng. compl.	Renflard, compl.	Entlüfter, kpl.
	32	14 15 74 00	1	Tubo elast. centrale	Flexible pipe	Tuyau élastique	Elast. Rohr
	33	14 15 75 00	1	Tubo elast. per tubo	Flexible pipe	Tuyau élastique	Elast. Rohr
	34	95 98 51 36	1	Tubo per sfiato	Pipe	Tuyau	Rohr
	35	12 15 78 00	2	Fascetta tubo centrale	Clamp	Collier	Schelle

850 LMTavola - Drawing
Table - Bild**5**LUBRIFICAZIONE
LUBRICATION
GRAISSAGE
SCHMIERUNGSEIMM
MOTO GUZZI

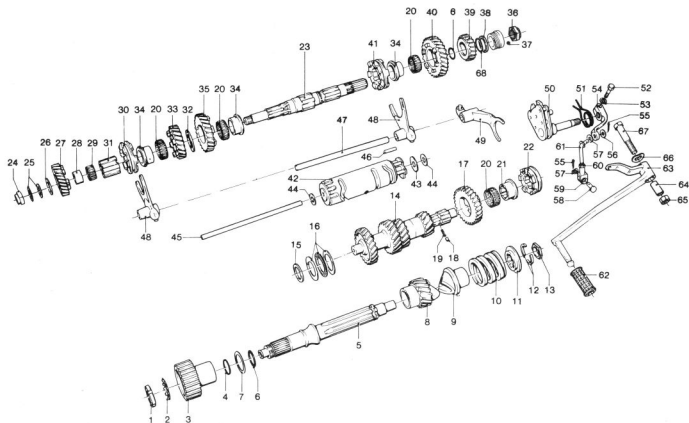
NOTE NOTES NOTES MARKE	POS. N.	N. COD. CODE No. No. CODE CODE Nr.	Q.tà Q.ty Q.té M.ge	DENOMINAZIONE	DESCRIPTION	DESIGNATION	BEZEICHNUNG
	36	12 15 79 00	1	Fascetta tubo sfiato	Clamp	Collier	Schelle
	37	17 00 62 50	1	Tubo recupero olio	Pipe	Tuyau	Rohr
	38	12 00 65 00	1	Fascetta tubazione	Clamp	Collier	Schelle
	39	95 12 00 65	3	Rosetta elastica	Spring washer	Rondelle élastique	Federring
	40	98 05 43 16	3	Vite	Screw	Vis	Schraube
	41	12 00 76 00	1	Guarnizione	Gasket	Joint	Dichtung
	42	12 00 72 00	1	Tubazione sfiato	Pipe	Tuyau	Rohr
	43	12 00 66 00	1	Vite cava	Hollow screw	Vis creuse	Hohlschraube
	44	12 00 64 00	2	Rosetta	Washer	Rondelle	Scheibe
	45	14 42 45 00	1	Supporto tubo sfiato	Support	Support	Halter
	46	17 15 05 51	1	Valvola contr. sfiato	Valve	Soupape	Ventil



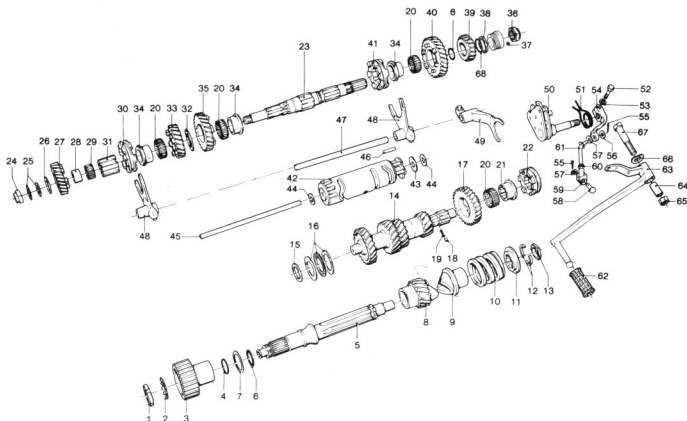
NOTE NOTES NOTES MARKE	POS. N.	N. COD. CODE No. No. CODE CODE Nr.	Q.tà Q.ty Q.té M.ge	DENOMINAZIONE	DESCRIPTION	DESIGNATION	BEZEICHNUNG
	1	13 08 41 00	8	Molla per frizione	Spring	Ressort	Feder
	2	12 08 29 01	1	Piattello spingimolle	Pressure plate	Plaque de pression	Druckplatte
	3	14 08 44 50	2	Disco frizione compl.	Clutch plate, compl.	Disque d'embray. compl.	Kupplungscheibe, kpl.
	4	12 08 23 00	1	Disco frizione intern.	Intermediate plate	Disque intercalaire	Zwischenscheibe
	5	12 08 28 00	1	Scodellino	Cup	Coupelle	Manschette
	6	14 08 57 00	1	Asta	Rod	Tige de poussée	Druckstift
	7	14 08 59 00	2	Bussola conica	Bush	Douille (caoutch.)	Gummbuchse
	8	14 08 60 00	1	Corpo interno	Inner body	Corps intérieur	Innengehäuse
	9	12 08 70 01	1	Cuscinetto reggispinta	Thrust bearing	Butée d'embrayage	Drucklager
	10	14 08 61 00	1	Corpo esterno	Outer body	Corps extérieur	Aussengehäuse
	11	90 70 61 70	1	Anello di tenuta	Seal ring	Joint d'étanchéité	Dichtring
	12	14 09 02 02	1	Leva disinnesto friz.	Operating lever	Lever de dégagem.	Ausdruckhebel
	13	94 32 11 05	1	Molla ritorno leva	Counter spring	Ressort de rappel	Gegenfeder
	14	14 09 04 00	1	Vite registro leva	Adjusting screw	Vis de réglage	Stellschraube
	15	92 60 25 08	1	Dado	Nut	Ecrou	Mutter
	16	95 78 02 71	1	Spina	Pin	Axe de maintien	Stift
	17	95 50 02 22	1	Copiglia	Split pin	Coupille	Splint
	18	14 09 30 51	1	Trasm. com. frizione	Clutch cable	Câble d'embrayage	Kupplungskabel
	19	17 09 38 50	1	Soffietto	Bellows	Soufflet	Balgmansch



NOTE NOTES NOTES MARKE	POS. N.	N. COD. CODE No. No. CODE CODE Nr.	Q.tà Q.ty Q.té M.ge	DENOMINAZIONE	DESCRIPTION	DESIGNATION	BEZEICHNUNG
	1	14 20 02 11	1	Scatola cambio	Gearbox	Boite de vitesse	Getriebegehäuse
	2	90 40 35 47	1	Anello di tenuta A.S.	L.S. seal ring	Joint d'étanch. A.S.	Dichtring für Ab.W.
	3	92 25 62 18	2	Cuscinetto A.P. e A.F.	Main shaft and clutch shaft bearing	Roulement arbre prim. et arbre d'embrayage	Lager für Antrieb- und Kupplungswelle
	4	14 21 38 03	2	Piastra di sicurezza	Lock plate	Plaque de sûreté	Schließblech
	5	98 62 23 16	6	Vite	Screw	Vis	Schraube
	6	14 21 79 01	6	Rosetta di sicurezza	Lock washer	Rondelle de sûreté	Sicherungsblech
	7	92 21 84 24	2	Cuscinetto A.F. e A.S.	C.S. - L.S. bearing	Roulem. A. d'E. - A.S.	Lager für K.W. - Ab.W.
	8	92 23 47 17	1	Cuscinetto A.S.	L.S. bearing	Roulement A.S.	Lager für Ab.W.
	9	95 51 20 81	2	Spina di riferimento	Dowel	Téton	Dübel
	10	14 20 11 10	1	Guarnizione	Gasket	Joint	Dichtung
	11	14 20 08 11	1	Coperchio per scatola	Cover	Couvercle	Deckel
	12	90 70 61 40	1	Anello di tenuta	Seal ring	Bague d'étanchéité	Dichtring
	13	92 20 14 17	1	Cuscinetto per A.P.	M.S. bearing	Roulement A.P.	Lager für An.W.
	14	14 23 78 00	1	Vite eccentrica	Eccentric screw	Vis excentrique	Ausmittige Schraube
	15	92 60 25 12	1	Dado	Nut	Ecrou	Mutter
	16	98 62 03 25	10	Vite corta	Short screw	Vis courte	Kurze Schraube
	17	98 62 03 35	1	Vite lunga	Long screw	Vis longue	Lange Schraube
	18	12 20 72 00	1	Corpo contatti	Contact holder	Porte-contact	Kontaktträger
	19	12 20 77 00	1	Guarnizione	Gasket	Joint	Dichtung
	20	95 00 02 06	2	Rosetta piana	Washer	Rondelle	Scheibe
	21	98 05 43 16	2	Vite	Screw	Vis	Schraube
	22	93 18 02 20	1	Tappo in gomma	Rubber plug	Bouchon en caoutch.	Gummistopfen
	23	12 00 37 02	1	Tappo olio	Oil filler plug	Bouchon de rempl. huile	Ölminfüllstutzen
	24	95 10 07 09	1	Guarnizione	Gasket	Joint	Dichtung
	25	95 98 06 10	2	Tappo livello e scarico	Lever and drain plug	Bouch. de niveau - vid.	Ölstand- und Ablassst.
	26	10 52 89 00	3	Guarnizione	Gasket	Joint	Dichtung
	27	12 23 53 01	1	Tappo sfiatatoio	Breather	Reniflard	Entlüfter
	28	12 23 94 00	1	Tubazione	Breather pipe	Tuyau de reniflard	Entlüfterschlauch
	29	94 32 10 67	1	Molla	Spring	Ressort	Feder
	30	55 23 47 00	1	Notolino fermo marce	Pawl	Cliquet d'arrêt	Sperklinke
	31	90 40 35 48	1	Anello di tenuta A.F.	C.S. seal ring	Bague d'étanch. A.d'E.	Dichtring für K.W.

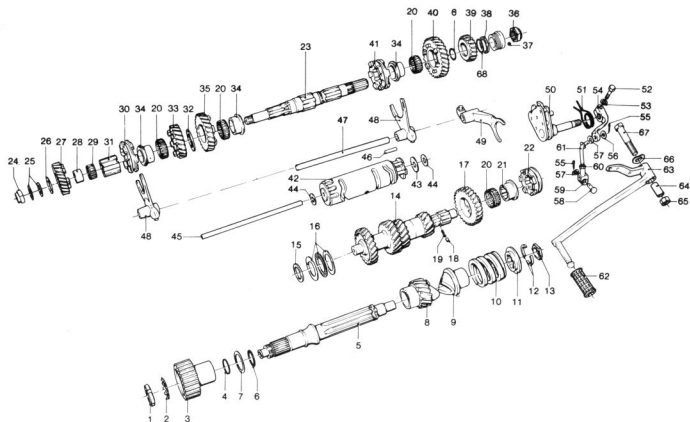


NOTE NOTES NOTES MARKE	POS. N.	N. COD. CODE No. CODE CODE Nr.	Q.tà Q.ty Q.té M.ge	DENOMINAZIONE	DESCRIPTION	DESIGNATION	BEZEICHNUNG
	1	93 60 10 22	1	Ghiera	Locking sleeve	Manchon de verrouill.	Sicherungsblech
	2	95 02 80 22	1	Rondella di sicurezza	Lock washer	Rondelle de sûreté	Sicherungsblech
	3	14 08 18 11	1	Corpo inter. frizione	Clutch gear	Pignon d'embravage	Kupplungsrad
	4	90 70 62 35	1	Guarnizione	Gasket	Joint	Dichtung
	5	14 21 07 02	1	Albero frizione	Clutch shaft (C.S.)	Arbre d'embr. (A d'E.)	Kupplungswelle (K.W.)
	6	90 70 62 03	2	Anello di tenuta A.F.-A.S.	Seal ring (C.S.-L.S.)	Bague d'ét. (A d'E.-A.S.)	Dichtring für K.W. - Ab.W.
	7	14 21 84 01	1	Rondella spandolio	Oil spreading washer	Rondelle ép. d'huile	Ölwegerscheibe
	8	14 21 11 10	1	Ingranaggio rinvio (Z = 17)	Idle gear (Z = 17)	Pignon intermédiaire (Z = 17)	Zahnradvorgelege 17 Z
	9	14 21 12 01	1	Manicotto ad innesti	Coupling muff	Manchon à crabots	Eingreifmuffe
	10	13 21 15 00	1	Molla	Spring	Ressort	Feder
	11	14 21 16 00	1	Piattello	Cup	Coupelette	Manschette
	12	12 21 17 00	2	Semisettori	Semi-collar	Plaquette d'arrêt	Halbsektor
	13	14 21 94 01	1	Spessore	Spacer	Cale	Distanzstück
	14	14 21 05 13	1	Albero primario	Main shaft (M.S.)	Arbre primaire (A.P.)	Antriebwelle (An.W.)
	15	18 21 10 50	1	Rosetta di rasamento mm 2	Support washer mm 2	Rondelle d'appui mm 2	Stützscheibe mm 2
	15	18 21 10 51	1	Rosetta di rasamento mm 2,1	Support washer mm 2.1	Rondelle d'appui mm 2.1	Stützscheibe mm 2.1
	15	18 21 10 52	1	Rosetta di rasamento mm 2,2	Support washer mm 2.2	Rondelle d'appui mm 2.2	Stützscheibe mm 2.2
	15	18 21 10 54	1	Rosetta di rasamento mm 2,4	Support washer mm 2.4	Rondelle d'appui mm 2.4	Stützscheibe mm 2.4
	16	92 25 85 25	1	Cuscini, rullini reggisp.	Needle bearing	Roulement à aiguilles	Nadellager
	17	14 21 20 13	1	Ingranaggio 5a A.P. (Z = 28)	5th gear (M.S.) (Z = 28)	Pignon 5ème (A.P.) (Z = 28)	(An.W.) Schaltrad 5. Gang 28 Z
	18	92 29 67 50	1	Rullo di fermo boccola	Bush lock	Galet d'interlock	Buchseanlagstift
	19	94 32 10 51	1	Molla	Spring	Ressort	Feder
	20	92 25 10 30	4	Gabbia a rullini	Needle cage	Cage à aiguilles	Nadelkäfig
	21	14 21 22 10	1	Boccola per 5a (A.P.)	5th gear bush (M.S.)	Douille 5ème (A.P.)	Buchse 5. Gang (An.W.)
	22	14 23 15 10	1	Manicotto scorrev. 5a	5th gear sliding sleeve	Baladeur 5ème	Schiebemuffe für 5. Gang
	23	14 21 36 12	1	Albero secondario	Layshaft (L.S.)	Arbre second. (A.S.)	Abtriebwelle (Ab.W.)
	24	14 21 74 10	1	Dado di secur. A.S.	Nut (L.S.)	Ecrou (A.S.)	Bundmutter (Ab.W.)
	25	43 08 38 10	2 ÷ 4	Rosetta di aggiustaggio	Shim	Disque d'ajustement	Passscheibe
	26	14 21 54 00	1	Rosetta di spallam.	Support washer	Rondelle d'épaulem.	Stützscheibe
	27	14 21 51 10	1	Ingranaggio 4a A.S. (Z = 20)	4th gear (L.S.) (Z = 20)	Pignon 4ème (A.S.) (Z = 20)	(Ab.W.) Schaltrad 4. Gang 20 Z
	28	92 25 90 17	1	Anello interno 4a	4th gear inner ring	Anneau int. 4ème	Innenring für 4. Gang

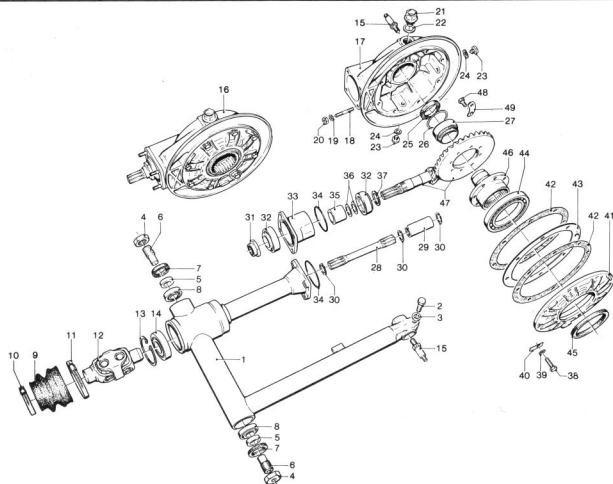
850 LMTavola - Drawing
Table - Bild**8**INGRAN. - ALBERI E COM. CAMBIO
GEARS - SHAFTS - CONTROLS
PIGNONS - ARBRES - COMM.
ZAHNRAD - WELLEN - SCHALTUNGSEIMM
MOTO GUZZI

TAV. 8

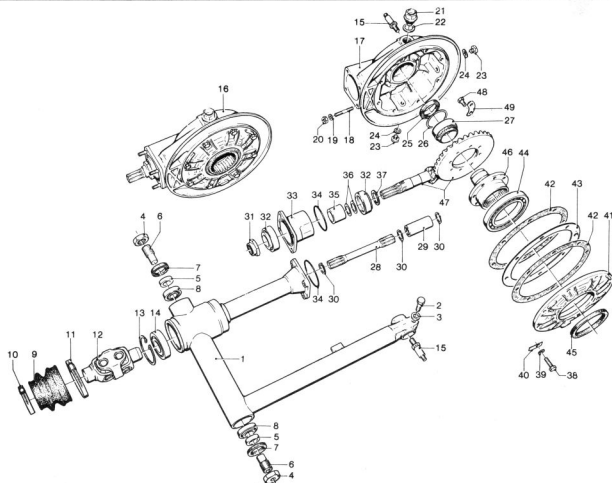
NOTE NOTES NOTES MARKE	POS. N.	N. COD. CODE No. No. CODE CODE Nr.	Q.tà Qty Q.té M.ge	DENOMINAZIONE	DESCRIPTION	DESIGNATION	BEZEICHNUNG
	29	92 25 10 22	1	Gabbia a rullini 4a A.S.	4th gear needle cage (L.S.)	Cage à aiguilles 4ème (A.S.)	Nadelkäfig für 4. Gang (Ab.W.)
	30	14 23 10 12	1	Manicotto 3a - 4a A.S.	3rd - 4th sliding sleeve (L.S.)	Baladeur 3ème - 4ème (A.S.)	Schiebenmuffe für 3-4 Gang (Ab.W.)
	31	14 23 25 12	1	Manicotto fisso A.S.	Sleeve (L.S.)	Manchon (A.S.)	Muffe (Ab.W.)
	32	14 21 80 11	1	Rosetta di spali A.S.	Support washer (L.S.)	Rondelle d'appui (A.S.)	Stutzscheibe (Ab.W.)
	33	14 21 48 10	1	Ingranaggio 3a A.S. (Z = 22)	3rd gear (Z = 22) (L.S.)	Pignon 3ème (Z = 22) (A.S.)	(Ab.W.) Schalttrad 3. Gang 22 Z
	34	14 21 30 01	3	Boccola 1a-2a-3a A.S.	1st-2nd-3rd bush (L.S.)	Douille 1ère-2ème 3ème (A.S.)	Büchse für 1.2.3. Gang (Ab.W.)
	35	14 21 45 10	1	Ingranaggio 2a A.S. (Z = 25)	2nd gear (Z = 25) (L.S.)	Pignon 2ème (Z = 25) (A.S.)	(Ab.W.) Schalttrad 2. Gang 25 Z
	36	14 21 93 10	1	Dado bloccaggio A.S.	Locking nut (L.S.)	Ecrou de serrage (A.S.)	Bundmutter (Ab.W.)
	37	92 29 57 02	1	Sfera	Ball	Bille	Kugel
	38	14 21 73 00	1	Rosetta di spallam. Ingranaggio 5a A.S. (Z = 21)	Support washer 5th gear (Z = 21) (L.S.)	Rondelle d'épaulem. Pignon 5ème (Z = 21) (A.S.)	Stutzscheibe (Ab.W.) Schalttrad 5. Gang 21 Z
	40	14 21 42 10	1	Ingranaggio 1a A.S. (Z = 28)	1st gear (Z = 28) (L.S.)	Pignon 1ère (Z = 28) (A.S.)	(Ab.W.) Schalttrad 1. Gang 28 Z
	41	14 23 07 11	1	Manicotto scorrevole 1a e 2a A.S.	1st-2nd sliding sleeve (L.S.)	Baladeur 1ère-2ème (A.S.)	Schiebenmuffe für 1.-2. Gang (Ab.W.)
	42	14 23 44 05	1	Tamburo scanalato	Spined drum	Tambour de comm.	Keilwelle
	43	14 23 55 00	1	Rosetta	Washer	Rondelle	Scheibe
	44	55 23 50 00	3	Rosetta di aggiustaggio mm 0,6	Shim mm 0,6	Rondelle d'ajustement mm 0,6	Passscheibe mm 0,6
	44	55 23 50 01	3	Rosetta di aggiustaggio mm 0,8	Shim mm 0,8	Rondelle d'ajustement mm 0,8	Passscheibe mm 0,8
	44	55 23 50 02	3	Rosetta di aggiustaggio mm 1	Shim mm 1	Rondelle d'ajustement mm 1	Passscheibe mm 1
	44	55 23 50 03	3	Rosetta di aggiustaggio mm 1,2	Shim mm 1,2	Rondelle d'ajustement mm 1,2	Passscheibe mm 1,2
	45	14 23 43 00	1	Asta	Rod	Tige	Keilwellestange
	46	14 23 46 00	4	Piolo per tamburo	Drum pin	Goupille de tambour	Keilwellestift
	47	14 23 24 00	1	Asta per forcellini	Shiftfork rod	Axe de fourchette	Schaltgabelstange
	48	14 23 05 01	2	Forcellini 1a-2a-3a-4a	1st-2nd-3rd-4th shift fork	Fourchette 1ère-2ème 3ème-4ème	Schaltgabel für 1-2-3-4 Gang
	49	14 23 12 01	1	Forcellino 5a	5th shiftfork	Fourchette 5ème	Schaltgabel für 5. Gabel



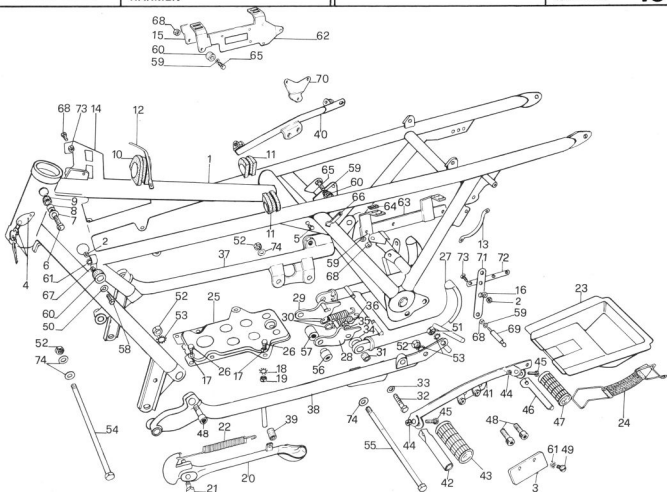
NOTE NOTES NOTES MARKE	POS. N.	N. COD. CODE No. No. CODE CODE Nr	Q.tà Q.ty Qté M.ge	DENOMINAZIONE	DESCRIPTION	DESIGNATION	BEZEICHNUNG
	50	14 23 62 02	1	Preselettore completo	Preselection, compl.	Préselecteur complet	Vorwahl, kpl
	51	14 23 82 01	1	Molla richiamo presel.	Return spring	R ressort de rappel	Rückzugfeder
	52	98 05 23 25	1	Vite	Screw	Vis	Schraube
	53	95 02 11 06	1	Rosetta dentellata	Tooth washer	Rondelle dentée	Zahnscheibe
	54	14 25 82 00	1	Leva com. settore	Shift finger	Doigt de sélection	Schaltfinger
	55	95 50 02 22	1	Copiglia	Split pin	Goupille	Splint
	56	95 00 02 06	1	Rosetta	Washer	Rondelle	Scheibe
	57	95 12 91 10	2	Rosetta antivibrante	Spring washer	Rondelle élastique	Federscheibe
	58	95 78 02 65	1	Spina	Pin	Clavette	Stift
	59	12 62 68 00	1	Forcellino	Fork	Fourchette	Gabel
	60	92 60 22 06	1	Dado	Nut	Ecrou	Mutter
	61	17 25 78 00	1	Tirante completo	Shift rod	Tige de commande	Schaltstange
	62	14 25 10 01	1	Pedalino gomma	Rubber protection	Couvre-pédale	Gummiüberzug
	63	17 25 09 60	1	Leva comando com.	Shift lever assy	Lever de comm. com.	Schalthebel, kpl
	64	17 25 20 50	2	Boccola	Bush	Douille	Buchse
	65	92 70 11 20	1	Dado	Nut	Ecrou	Mutter
	66	17 25 27 50	1	Rosetta elast. ondul.	Spring washer	Rondelle élastique	Federring
	67	17 25 23 50	1	Vite	Screw	Vis	Schraube
	68	90 70 62 19	1	Guarnizione OR	Gasket	Joint	Dichtung



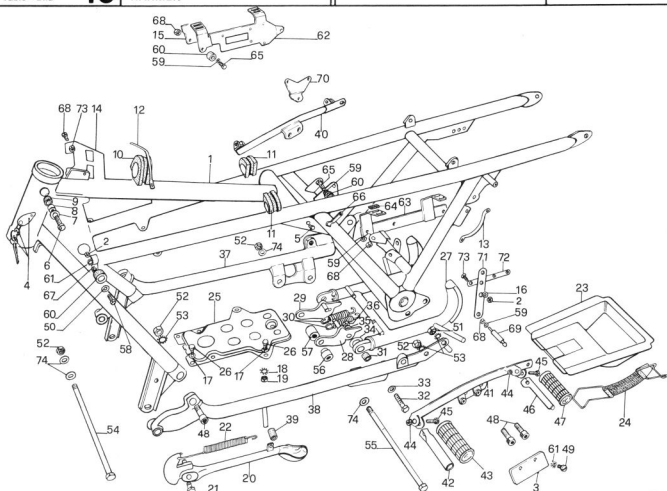
NOTE NOTES NOTES MARKE	POS. N.	N. COD. CODE No. No. CODE CODE Nr.	Q.tà O.ty O.té M.ge	DENOMINAZIONE	DESCRIPTION	DESIGNATION	BEZEICHNUNG
	1	18 54 02 00	1	Forcellone oscillante	Rear fork	Fourche AR	Hintergabel
	2	98 06 25 35	1	Vite	Screw	Vis	Schraube
	3	95 00 42 10	1	Rosetta	Washer	Rondelle	Scheibe
	4	14 54 78 00	2	Dado	Nut	Ecrou	Mutter
	5	12 54 72 00	2	Distanziale	Spacer	Entretoise	Distanzstück
	6	14 54 70 01	2	Perno	Pin	Goujon	Stift
	7	90 40 30 40	2	Anello di tenuta	Seal ring	Bague d'étanchéité	Dichtring
	8	92 24 92 16	2	Cuscinetto	Bearing	Roulement	Lager
	9	18 54 80 00	1	Soffietto di protezione	Bellows	Soufflet	Faltenbag
	10	12 54 84 01	1	Fascetta piccola	Clamp	Collier	Schelle
	11	12 54 82 01	1	Fascetta grande	Clamp	Collier	Schelle
	12	17 32 80 50	1	Doppio giunto cardan.	Double joint	Joint double	Doppelverbindung
	13	90 27 20 62	1	Anello seeger	Circlip	Joint d'arrêt	Sicherungsring
	14	92 20 42 30	1	Cuscinetto a sfere	Ball bearing	Roulement à billes	Kugellager
	15	12 55 52 01	2	Perno inferiore	Goujon	Goujon	Stift
	16	17 35 02 50	1	Scatola trasm. compl.	Transmission compl.	Transmission complète	Kraftübertragung, kpl.
	17	17 35 03 00	1	Scatola trasmissione	Transm. housing	Carter de transmission	Sicherungsgehäuse
	18	96 50 80 45	4	Vite prigioniera	Stud	Goujon	Stiftschraube
	19	95 12 00 85	4	Rosetta	Washer	Rondelle	Scheibe
	20	92 60 22 08	4	Dado cieco	Nut	Ecrou borgne	Mutter
	21	12 00 37 02	1	Tappo olio	Oil plug	Bouchon d'huile	Ölschraube
	22	95 10 07 09	1	Rosetta alluminio	Washer	Rondelle	Scheibe
	23	95 98 06 10	2	Tappo livello-scar. olio	Level and drain plug	Bouch. niveau et vid.	Ölmess- und Ablassschr.
	24	10 52 89 00	1	Rosetta alluminio	Washer	Rondelle	Scheibe
	25	90 40 38 50	1	Anello di tenuta	Seal ring	Bague d'étanchéité	Dichtring
	26	12 35 11 00	1	Anello tenuta gabbia	Seal ring	Bague d'étanchéité	Dichtring
	27	92 25 43 40	1	Cuscinetto a rullini	Needle bearing	Roulement à aiguilles	Nadellager
	28	12 32 63 00	1	Albero trasmissione	Drive shaft	Arbre de transmission	Gelenkwelle
	29	12 32 77 00	1	Manicotto per albero	Sleeve	Manchon	Keilbüchse
	30	90 27 10 20	3	Anello elastico	Circlip	Joint d'arrêt	Sicherungsring
	31	12 35 67 00	1	Dado	Nut	Ecrou	Mutter
	32	92 24 92 27	2	Cuscinetti a rulli con.	Taper roller bearing	Roulement conique	Kegelellager
	33	18 35 24 00	1	Custodia	Flange	Fiasque	Flansch
	34	90 70 65 84	2	Guarnizione	Gasket	Joint	Dichtung
	35	18 35 51 00	1	Distanziale	Spacer	Entretoise	Distanzstück
	36	12 35 52 02	1 ÷ 2	Rosetta regolazione mm 0,1	Shim mm 0.1	Rondelle d'ajustement mm 0.1	Passscheibe mm 0,1



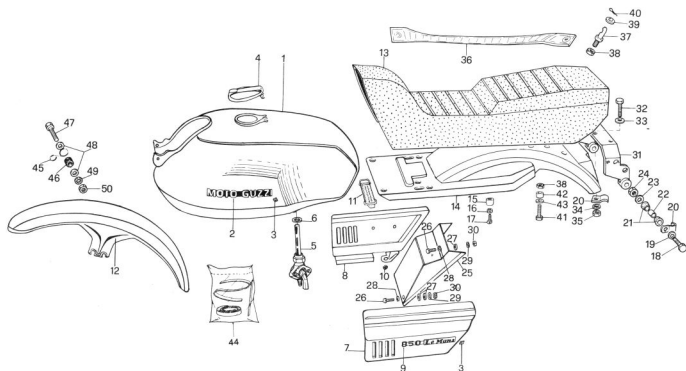
NOTE NOTES MARKE	POS. N.	N. COD. CODE No. No. CODE CODE Nr.	Q.tà Q.ty Q.té M.ge	DENOMINAZIONE	DESCRIPTION	DESIGNATION	BEZEICHNUNG
	36	12 35 52 03	1 ÷ 11	Rosetta regolazione mm 0,15	Shim mm 0,15	Rondelle d'ajustement mm 0,15	Passscheibe mm 0,15
	37	12 35 53 01	1 ÷ 2	Spessore per pignone mm 1	Pinion shim mm 1	Cale d'épaisseur mm 1	Ausgleichscheibe mm 1
	37	12 35 53 02	1 ÷ 2	Spessore per pignone mm 1,2	Pinion shim mm 1,2	Cale d'épaisseur mm 1,2	Ausgleichscheibe mm 1,2
	37	12 35 53 03	1 ÷ 2	Spessore per pignone mm 1,5	Pinion shim mm 1,5	Cale d'épaisseur mm 1,5	Ausgleichscheibe mm 1,5
	38	98 05 44 25	8	Vite	Screw	Vis	Schraube
	39	61 27 03 00	8	Rosetta	Washer	Rondelle	Scheibe
	40	95 18 70 08	8	Piastrina di sicurezza	Lock plate	Plaquette d'arrêt	Sicherungsblech
	41	17 35 04 00	1	Flangia	Flange	Flasque	Flansch
	42	17 35 07 00	2	Guarnizione	Gasket	Joint	Dichtung
	43	17 35 54 00	1	Spessore di regolazione mm 0,8	Shim mm 0,8	Cale d'épaisseur mm 0,8	Ausgleichscheibe mm 0,8
	43	17 35 54 02	1	Spessore di regolazione mm 0,9	Shim mm 0,9	Cale d'épaisseur mm 0,9	Ausgleichscheibe mm 0,9
	43	17 35 54 04	1	Spessore di regolazione mm 1	Shim mm 1	Cale d'épaisseur mm 1	Ausgleichscheibe mm 1
	43	17 35 54 06	1	Spessore di regolazione mm 1,1	Shim mm 1,1	Cale d'épaisseur mm 1,1	Ausgleichscheibe mm 1,1
	43	17 35 54 08	1	Spessore di regolazione mm 1,2	Shim mm 1,2	Cale d'épaisseur mm 1,2	Ausgleichscheibe mm 1,2
	43	17 35 54 10	1	Spessore di regolazione mm 1,3	Shim mm 1,3	Cale d'épaisseur mm 1,3	Ausgleichscheibe mm 1,3
	44	92 20 10 70	1	Cuscinetto a sfere	Ball bearing	Roulement à billes	Kugellager
	45	90 40 70 85	1	Anello di tenuta	Seal ring	Bague d'étanchéité	Dichtring
	46	17 35 14 00	1	Perno forato	Drive flange	Bride de traction	Mitnehmerflansch
	47	17 35 46 50	1	Coppia conica 7/33	Bevel gear 7/33	Couple conique 7/33	Tellerradsatz 7/33
	48	12 35 63 00	8	Vite	Screw	Vis	Schraube
	49	12 35 64 00	4	Piastrina di sicurezza	Lock plate	Plaquette d'arrêt	Sicherungsblech



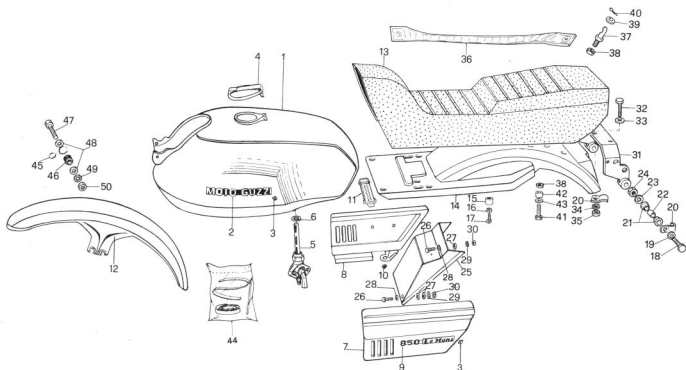
NOTE NOTES NOTES MARKE	POS. N.	N. COD. CODE No. CODE Nr.	Q.tà Q.ty Qté M.ge	DENOMINAZIONE	DESCRIPTION	DESIGNATION	BEZEICHNUNG
	1	14 40 01 50	1	Telaio	Frame	Châssis	Rahmen
	2	92 60 22 06	3	Dado per viti fiss. tam	Nut	Ecrou	Mutter
	3	14 44 59 51	2	Protezione viti tubi sc.	Guard	Protection	Schutz
	4	12 78 27 80	1	Antifurto completo	Steering lock, compl.	Serrure de direct. comp.	Lenkschloss, kpl.
	5	93 18 00 80	4	Tappo fori telaio	Plug	Bouchon	Stopfen
	6	98 07 44 25	2	Vite	Screw	Vis	Schraube
	7	95 00 12 08	2	Rosetta piana	Washer	Rondelle	Scheibe
	8	91 18 08 10	2	Distanziale	Spacer	Entretoise	Distanzstück
	9	14 10 34 00	2	Boccola	Bush	Douille	Buchse
	10	14 10 71 00	1	Tampone centrale	Rubber buffer	Tampon de caoutch.	Gummipuffer
	11	14 10 90 00	2	Tampone laterale	Rubber buffer	Tampon de caoutch.	Gummipuffer
	12	13 60 96 60	3	Fascetta	Clamp	Collier	Schelle
	13	14 46 43 51	1	Maniglia soll. macch.	Handle	Poignée	Griff
	14	14 74 97 50	1	Piastrina fiss. connett.	Plate	Plaque	Platte
	15	17 75 04 00	1	Squadretta porta inter.	Gusset	Gousset	Vierkant
	16	95 00 02 06	3	Rosetta piana	Washer	Rondelle	Scheibe
	17	95 00 42 08	7	Rosetta piana	Washer	Rondelle	Scheibe
	18	95 02 11 08	3	Rosetta elastica	Spring washer	Rondelle élastique	Federring
	19	92 60 22 08	3	Dado	Nut	Ecrou	Mutter
	20	14 43 20 50	1	Braccio laterale	Side stand	Bequille latérale	Seitenständer
	21	99 10 51 29	1	Perno	Pin	Pivot	Stift
	22	14 43 40 00	1	Molla	Spring	Ressort	Feder
	23	17 47 96 50	1	Contenitore attrezzi	Tool box	Porte-outils	Werkzeugbehälter
	24	17 47 97 50	1	Staffa	Belt	Sangle	Riemen
	25	14 41 82 50	1	Piastra porta batt.	Battery plate	Plaque de batterie	Platte für Batterie
	26	98 05 44 16	7	Vite	Screw	Vis	Schraube
	27	14 43 03 50	1	Cavalletto	Stand	Bequille	Ständer
	28	14 43 32 00	1	Piastra sx	L.H. plate	Plaque G	Platte L.
	29	14 43 29 00	1	Piastra dx	R.H. plate	Plaque D	Platte R.
	30	12 43 40 01	2	Molla	Spring	Ressort	Feder
	31	14 43 35 00	2	Boccola	Bush	Douille	Buchse
	32	98 05 25 45	2	Vite	Screw	Vis	Schraube
	33	95 00 42 10	2	Rosetta piana	Washer	Rondelle	Scheibe
	34	14 43 34 00	2	Rondella elastica	Spring washer	Rondelle élastique	Federring
	35	95 02 11 10	2	Rosetta dentellata	Tooth washer	Rondelle dentée	Zahnscheibe
	36	92 60 22 10	2	Dado	Nut	Ecrou	Mutter

850 LMTavola - Drawing
Table - Bild**10**TELAIO
FRAME
CHASSIS
RAHMENSEIMM
MOTO GUZZI

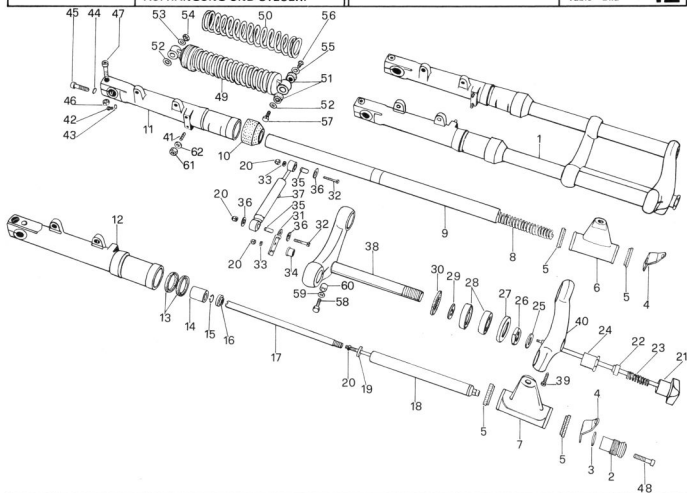
NOTE NOTES NOTES MARKE	POS. N.	N. COD. CODE No. No. CODE CODE Nr.	Q.tà Q.ty Q.té M.ge	DENOMINAZIONE	DESCRIPTION	DESIGNATION	BEZEICHNUNG
	37	17 42 03 50	1	Braccio dx per culla	R.H. arm	Bras D	Arm R.
	38	17 42 21 50	1	Braccio sx per culla	L.H. arm	Bras G	Arm L.
	39	14 42 38 00	1	Calotta di fermo	Rubber stop	Arrêt en caoutchouc	Gummisperre
	40	14 44 36 53	1	Pedana dx appogg.	R.H. foot rest	Repose-pieds D	Fussraste R.
	41	14 44 60 53	1	Pedana app. piedi sx	L.H. foot rest	Repose-pieds G	Trittbretter, L.
	42	14 44 13 50	2	Pedalino app. piedi ant.	Front foot rest arm	Bras de rep. pieds AV	Fussrastearm. Vord.
	43	14 44 32 00	2	Pedalino gomma post.	Foot rest, rubber	Caoutch. de rep. pieds	Fussrastegummi
	44	92 60 12 06	5	Pedalino gomma ant.	Nut	Ecrou	Mutter
	45	98 07 23 25	4	Vite	Screw	Vis	Schraube
	46	14 44 23 50	2	Pedalino appoggiap. post.	Foot rest arm	Bras de repose-pieds	Fussrastearm
	47	55 44 33 05	2	Pedalino gomma post.	Foot rest, rubber	Caoutch. de rep. pieds	Fussrastegummi
	48	98 61 36 30	6	Vite fiss. culla	Screw	Vis	Schraube
	49	98 32 60 14	4	Vite fiss. protez.	Screw	Vis	Schraube
	50	95 10 01 21	4	Rondella piana	Washer	Rondelle	Scheibe
	51	92 60 25 12	1	Dado	Nut	Ecrou	Mutter
	52	92 60 23 12	7	Dado	Nut	Ecrou	Mutter
	53	95 02 11 12	6	Rosetta elast. dentell.	Tooth washer	Rondelle dentée	Zahnscheibe
	54	14 42 95 05	1	Tirante anteriore	Front bolt	Boulon AV	Vorne Bolzen
	55	14 42 96 00	1	Tirante posteriore	Rear bolt	Boulon AR	Hinterer Bolzen
	56	14 42 99 00	2	Distanziatore	Spacer	Entretoise	Abstandrohr
	57	14 42 98 00	2	Distanziatore	Spacer	Entretoise	Abstandrohr
	58	98 05 43 20	2	Vite	Screw	Vis	Schraube
	59	95 00 02 06	7	Rondella piana	Washer	Rondelle	Scheibe
	60	14 10 38 00	2	Tampone	Rubber ring	Disque de caoutch.	Gummiring
	61	95 02 11 06	6	Rosetta dentellata	Tooth washer	Rondelle dentée	Zahnscheibe
	62	17 42 48 50	1	Piastra dx	R.H. support plate	Equerre de soutien D	Abstützwinkel, R.
	63	17 42 40 50	1	Piastra sx	L.H. support plate	Equerre de soutien G	Abstützwinkel, L.
	64	39 46 16 00	4	Gommino	Rubber	Caoutchouc	Gummstück
	65	98 05 23 25	2	Vite	Screw	Vis	Schraube
	66	93 30 11 75	1	Passacavo dx	Clamp	Guide-câble	Rohrscheibe
	67	93 30 13 13	1	Passacavo	Clamp	Guide-câble	Rohrscheibe
	68	92 63 01 06	4	Dado autobloccante	Self-locking nut	Ecrou à autoblocage	Hutmutter
	69	17 47 85 50	2	Colonnetta	Pin	Goujon	Stift
	70	17 70 99 50	1	Piastrina	Support plate	Plaque de support	Abstützblech
	71	14 71 67 50	1	Piastrina	Support plate	Plaque de support	Abstützblech
	72	14 70 40 50	1	Piastrina	Support plate	Plaque de support	Abstützblech
	73	98 05 43 16	1	Vite	Screw	Vis	Schraube
	74	95 00 02 13	4	Rosetta	Washer	Rondelle	Scheibe



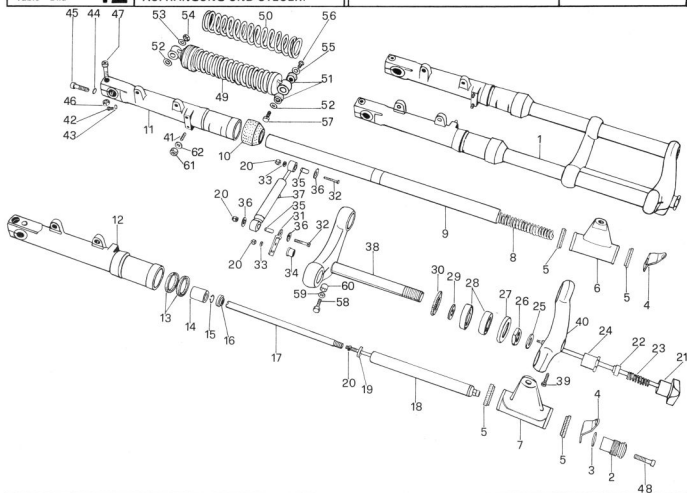
NOTE NOTES NOTES MARKE	POS. N.	N. COD. CODE No. No. CODE CODE Nr.	Q.tà Q.ty O.té M.ge	DENOMINAZIONE	DESCRIPTION	DESIGNATION	BEZEICHNUNG
	1	14 10 02 51	1	Serbatoio (nero - fianchi rossi)	Fuel tank (black - red sides)	Réservoir (noir - côtés rouges)	Kraftstoffbehälter (Schwarz - Rotseiten)
	1	14 10 02 52	1	Serbatoio (nero - fianchi grigio-azzurro)	Fuel tank (black - grey-light blue sides)	Réservoir (noir - côtés gris-bleu clair)	Kraftstoffbehälter (Schwarz - Weissseiten)
	2	14 10 02 56	1	Serbatoio (nero - fianchi bianco latte)	Fuel tank (black - white sides)	Réservoir (noir - côtés blanc)	Kraftstoffbehälter (Schwarz - Weissseiten)
	3	14 10 51 00	8	Marchio	Mark	Marque	Marke
	3	14 10 51 00	8	Fernaglio per marchio	Mark clip	Agrafe pour marque	Bajonett-Clip für Marke
	4	13 10 39 60	1	Tappo serbatoio	Filler cap	Bouchon de rempliss.	Tankverschluss
	5	17 10 54 60	1	Rubinetto destro	R.H. fuel cap	Robinet D	Kraftstoffhahn, R.
	5	17 10 54 61	1	Rubinetto sinistro	L.H. fuel tap	Robinet G	Kraftstoffhahn, L.
	6	90 71 41 03	2	Guarnizione	Gasket	Joint	Dichtung
	7	14 47 63 51	1	Coperchio sx (rosso - filetto nero)	L.H. cover (red - black stripe)	Couvercle G (rouge - bordure noire)	Deckel, L. (Rot - Schwarzstreifen)
	7	14 47 63 56	1	Coperchio sx (bianco latte/L.H. cover (white - filetto nero)	L.H. cover (white - black stripe)	Couvercle G (blanc - bordure noire)	Deckel, L. (Weiss - Schwarzstreifen)
	7	14 47 63 52	1	Coperchio sx (grigio-azz. met. - filetto nero)	L.H. cover (met. grey-light blue - black stripe)	Couvercle G (gris-bleu cl. met. - bordure noire)	Deckel, L. (Metall. Grau-Hellblau - Schwarzstr.)
	8	14 47 62 51	1	Coperchio dx (rosso - filetto nero)	R.H. cover (red - black stripe)	Couvercle D (rouge - bordure noire)	Deckel, R. (Rot - Schwarzstreifen)
	8	14 47 62 56	1	Coperchio dx (bianco latte - filetto nero)	R.H. cover (white - black stripe)	Couvercle D (blanc - bordure noire)	Deckel, R. (Weiss - Schwarzstreifen)
	8	14 47 62 52	1	Coperchio dx (grigio-azz. met. - filetto nero)	R.H. cover (met. grey-light blue - black stripe)	Couvercle D (gris-bleu cl. met. - bordure noire)	Deckel, R. (Metall. Grau-Hellblau - Schwarzstr.)
	9	14 92 20 00	2	Marchio	Mark	Marque	Marke
	10	91 55 10 82	2	Gommino inferiore	Rubber	Caoutchouc	Gummstück
	11	14 10 26 00	1	Staffa	Belt	Sangle	Gurband
	12	14 43 44 54	1	Parafango ant. (rosso)	Front fender (red)	Aile AV (rouge)	Vord. Kotflügel (Rot)
	12	14 43 44 55	1	Parafango ant. (gr. azz.)	Fr. fender (gr. light blue)	Aile AV (gr. bleu clair)	Vord. Kotfl. (Grau-Hellbl.)
	12	14 43 44 56	1	Paraf. ant. (bianco latte)	Front fender (white)	Aile AV (blanc)	Vord. Kotflügel (Weiss)
	13	14 46 15 52	1	Imbottitura sella	Saddle stuffing	Rembourrage selle	Sattelpolsterung
	14	14 46 07 54	1	Supporto sella (rosso)	Saddle support (red)	Support selle (rouge)	Sattelhalter (Rot)
	14	14 46 07 55	1	Supporto sella (grigio-azzurro metallizzato)	Saddle support (met. grey-light blue)	Support selle (gris-bleu clair metall.)	Sattelhalter (Metall. Grau-Hellblau)
	14	14 46 07 56	1	Supp. sella (bianco latte)	Saddle support (white)	Support selle (blanc)	Sattelhalter (Weiss)
	15	14 10 38 00	6	Tampone per appoggio	Rubber ring	Disque en caoutch.	Gummring



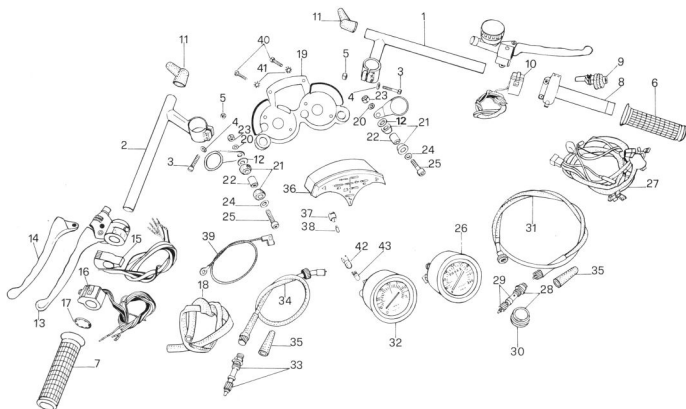
NOTE NOTES MARKE	POS. N.	N. COD. CODE No. No. CODE CODE Nr.	Q.tà Q.ty Q.té M.ge	DENOMINAZIONE	DESCRIPTION	DESIGNATION	BEZEICHNUNG
	16	95 00 02 06	6	Ranella piana	Washer	Rondelle	Scheibe
	17	98 05 23 25	6	Vite fiss. imbottitura	Screw	Vis	Schraube
	18	98 07 24 40	2	Vite fiss. sella post	Screw	Vis	Schraube
	19	95 00 12 08	2	Rosetta	Washer	Rondelle	Scheibe
	20	93 30 11 75	3	Cavallotto tenuta cavi	U-bolt	Etrier	Bugelbolzen
	21	10 50 22 50	4	Elem. elast. fiss. sella	Rubber spacer	Anneau en caoutch.	Gummipuffer
	22	91 18 09 20	2	Bussola	Bush	Douille	Buchse
	23	95 10 02 55	2	Rosetta lato dado	Washer	Rondelle	Scheibe
	24	92 63 01 08	2	Dado per vite fiss. sella	Nut	Eccrou	Mutter
	25	14 43 87 50	1	Paraspruzzi sul telaio	Wheelshield	Cache-roue	Zierdeckel
	26	98 05 43 20	4	Vite	Screw	Vis	Schraube
	27	93 11 00 60	6	Spessore gomma	Rubber spacer	Entretoise en caoutch.	Gummistück
	28	95 00 02 06	4	Rosetta piana	Washer	Rondelle	Scheibe
	29	95 10 01 41	2	Rosetta interna	Washer	Rondelle	Scheibe
	30	92 63 01 06	2	Dado autobloccante	Self-locking nut	Eccrou à autobloccage	Hutmutter
	31	14 46 10 50	1	Cavallotto oscillante	U-bolt	Etrier	Bugelschraube
	32	98 05 42 16	5	Vite fiss. cavallotto	Screw	Vis	Schraube
	33	95 10 00 59	5	Rosetta piana per vite	Washer	Rondelle	Scheibe
	34	95 02 11 05	5	Rosetta elast. dentell	Tooth washer	Rondelle dentée	Zahnscheibe
	35	92 60 22 05	5	Dado per vite	Nut	Eccrou	Mutter
	36	14 46 22 50	1	Maniglia tienibene	Handle	Poignée	Handgriff
	37	17 46 25 70	1	Colonneta fiss. maniglia	Stud	Goujon	Stiftschraube
	38	92 63 01 08	2	Dado	Nut	Eccrou	Mutter
	39	95 00 42 10	1	Rosetta esterna per col.	Washer	Rondelle	Scheibe
	40	14 46 23 50	1	Spillo tenuta maniglia	Needle	Aiguille	Nadel
	41	98 05 44 30	1	Vite fiss. man. lato sx	Screw	Vis	Schraube
	42	91 18 08 05	1	Distanziale per maniglia	Spacer	Entretoise	Distanzstück
	43	95 10 02 55	1	Rosetta grande	Washer	Rondelle	Scheibe
	44	14 92 33 50	1	Serie decalcomanie	Trim set	Jeu de décalcom.	Abziehbildsatz
	45	55 43 65 25	2	Occhioletto passatubi	Bracket	Collier	Stütze
	46	91 55 11 31	2	Gomma per passatubi	Rubber	Caoutchouc	Gummistück
	47	98 05 43 16	2	Vite fiss. occhioletto	Screw	Vis	Schraube
	48	95 10 01 39	4	Rosetta piana	Washer	Rondelle	Scheibe
	49	95 02 11 06	2	Rosetta elast. dentell	Tooth washer	Rondelle dentée	Zahnscheibe
	50	92 60 22 06	2	Dado per viti	Nut	Eccrou	Mutter
	51	14 92 33 50	1	Serie decalcomanie	Trim set	Jeu de décalcomanies	Abziehbildsatz



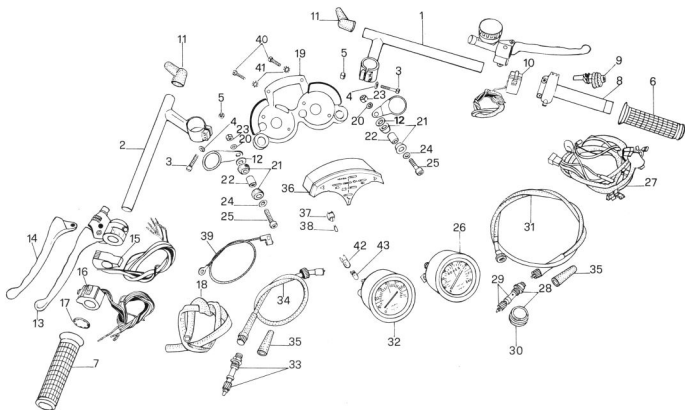
NOTE NOTES NOTES MARKE	POS. N.	N. COD. CODE No. No. CODE CODE Nr.	Q.tà Q.ty Q.tvé M.ge	DENOMINAZIONE	DESCRIPTION	DESIGNATION	BEZEICHNUNG
	1	14 49 02 50	1	Forcella anter. completa	Front fork, compl.	Fourche AV, compl.	Vord. Gabel, kpl.
	2	61 50 45 40	2	Tappo super. forcella	Plug	Bouchon	Stopfen
	3	90 70 62 38	2	Guarnizione	Gasket	Joint	Dichtung
	4	14 50 16 51	2	Piastrina supp. crusc.	Plate	Plaque	Platte
	5	17 49 27 00	4	Anello gomma	Rubber ring	Anneau en caoutch.	Gummiring
	6	14 49 61 51	1	Fodero destro	R.H. sleeve	Gainé D	Hulle, R.
	7	14 49 92 51	1	Fodero sinistro	L.H. sleeve	Gainé G	Hulle, L.
	8	14 52 66 00	2	Molla sospensione	Spring	Ressort	Feder
	9	61 52 54 40	2	Braccio forcella	Fork arm	Bras fourche	Gabelarm
	10	14 52 45 00	2	Custodia sul gambale	Dust guard	Cache poussière	Schutzflanger
	11	14 52 25 50	1	Gambale destro	R.H. sleeve	Chemise D	Laufbuchse, R.
	12	14 52 26 50	1	Gambale sinistro	L.H. sleeve	Chemise G	Laufbuchse, L.
	13	90 40 35 47	4	Anello di tenuta	Seal ring	Bague d'étanchéité	Dichtring
	14	14 52 79 00	2	Estremità asta amm.	Tube end	Embout	Rohrende
	15	90 27 10 14	2	Anello seeger	Snap ring	Jonc d'arrêt	Sicherungsring
	16	14 52 76 01	2	Scodellino inferiore	Lower cap	Coupléte infér.	Unteremanschette
	17	14 52 78 00	2	Tubo asta ammortizz.	Tuyau	Tige amortisseur	Rohr
	18	14 52 64 07	2	Ammortizz. forcella	Shock absorber	Amortisseur	Stoßdämpfer
	19	18 52 65 60	2	Scodellino	Cup	Coupléte	Manschette
	20	92 63 01 06	5	Dado autobloccante	Self-locking nut	Ecrou à autoblocage	Hutmutter
	21	14 51 59 01	1	Asta com. ammort. sterzo	Shock absorber rod	Tige amortisseur	Stoßdämpferstange
	22	14 51 71 00	1	Bussola porta molla	Bush	Douille	Buchse
	23	14 51 62 00	1	Molla	Spring	Ressort	Feder
	24	14 51 66 00	1	Bussola blocc. sterzo	Bush	Douille	Buchse
	25	95 10 08 37	1	Ranella spess. bussola	Washer	Rondelle	Scheibe
	26	10 51 34 01	1	Dado per canotto	Nut	Ecrou	Mutter
	27	14 49 46 00	1	Scodellino	Cap	Coupléte	Manschette
	28	92 24 92 25	2	Cuscinetti a rulli con.	Taper roller bearing	Roulem. à aiguil. con.	Kegelrollenlager
	29	14 51 67 00	1	Rondella	Washer	Rondelle	Scheibe
	30	14 51 70 00	1	Anello inf. parapovl	Bearing ring	Anneau de roul.	Lagerring
	31	14 51 89 00	1	Piastr. com. ammort.	Plate	Plaque	Platte
	32	98 05 23 35	2	Vite fiss. ammortizz.	Screw	Vis	Schraube
	33	95 00 02 06	2	Ranella piana	Washer	Rondelle	Scheibe
	34	14 49 43 00	1	Bussola guida asta	Bush	Douille	Buchse
	35	14 53 08 00	2	Distanziale amm. sterzo	Spacer	Entretoise	Distanzstück
	36	95 10 01 42	3	Ranella di spessore	Washer	Rondelle	Scheibe

850 LMTavola - Drawing
Table - Bild**12****SOSPENSIONI E COMANDI
SUSPENSIONS AND CONTROLS
SUSPENSIONS ET COMMANDES
AUFHÄNGUNG UND STEUER.****SEIMM
MOTO GUZZI**

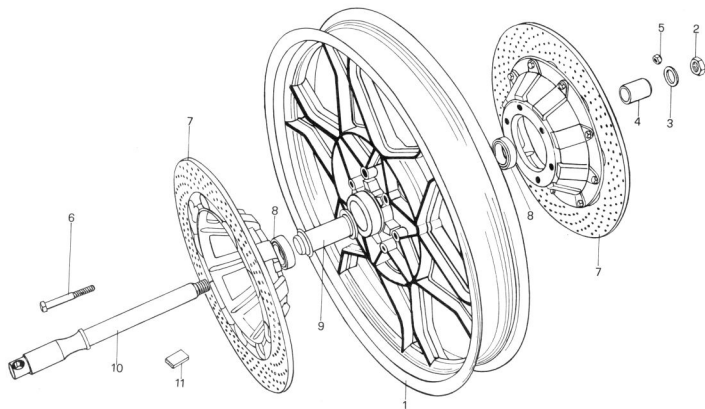
NOTE NOTES NOTES MARKE	POS. N.	N. COD. CODE No. No. CODE CODE Nr.	Q.tà Qty Q.té M.ge	DENOMINAZIONE	DESCRIPTION	DESIGNATION	BEZEICHNUNG
	37	14 53 02 01	1	Ammortizzatore sterzo	Steering shock absorber	Amortisseur direction	Lenkungstossdämpfer
	38	14 49 40 50	1	Base forcella compl	Fork base, compl	Base fourche, compl	Basisgabel, kpl.
	39	98 61 25 35	3	Vite fiss. testa	Screw	Vis	Schraube
	40	14 49 31 00	1	Testa per forcella	Fork head	Tête pour fourche	Gabelkopf
	41	96 50 80 21	4	Prigioniero att. paraf.	Stud bolt	Goujon prisonnier	Stiftschraube
	42	98 62 03 12	2	Vite scarico olio	Oil drain screw	Vis	Schraube
	43	95 10 01 16	2	Ranella alluminio	Washer	Rondelle	Scheibe
	44	10 52 89 00	2	Guarnizione per vite	Gasket	Joint	Dichtung
	45	98 62 25 35	2	Vite	Screw	Vis	Schraube
	46	92 60 22 10	2	Dado per vite	Nut	Ecrou	Mutter
	47	98 62 05 40	2	Vite	Screw	Vis	Schraube
	48	98 62 04 35	2	Vite	Screw	Vis	Schraube
	49	17 85 02 60	2	Sospens. post. Guzzi	Rear suspension	Suspension AR	Hint. Aufhängung
	50	17 55 23 60	2	Molla sospens. post.	Spring	Ressort	Feder
	51	18 55 18 50	8	Boccola gomma sosp.	Rubber bush	Douille en caoutch.	Gummibuchse
	52	95 00 42 15	4	Rosetta int. inf. e sup.	Washer	Rondelle	Scheibe
	53	95 10 03 37	2	Rosetta est. inferiore	Washer	Rondelle	Scheibe
	54	92 60 22 10	2	Dado	Nut	Ecrou	Mutter
	55	95 10 02 56	2	Rosetta est. super.	Washer	Rondelle	Scheibe
	56	98 07 44 16	1	Vite sup. lato dx	Screw	Vis	Schraube
	57	98 07 44 20	1	Vite sup. lato sx	Screw	Vis	Schraube
	58	98 07 25 55	2	Vite fiss. base sterzo	Screw	Vis	Schraube
	59	95 00 72 10	2	Rosetta per viti	Washer	Rondelle	Scheibe
	60	91 18 10 16	2	Distanziale	Spacer	Entretoise	Distanzstück
	61	92 60 22 08	4	Dado fiss. paraf. ant.	Nut	Ecrou	Mutter
	62	95 00 02 08	4	Rosetta per dado fis. par.	Washer	Rondelle	Scheibe



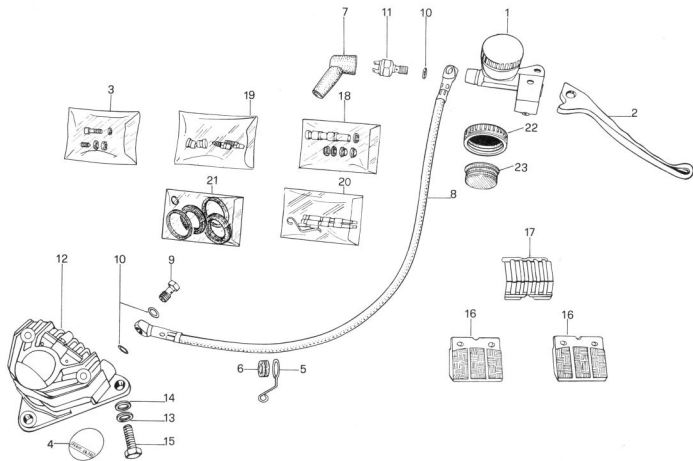
NOTE NOTES MARKE	POS. N.	N. COD. CODE No. No. CODE CODE Nr.	Q.tà Q.ty Q.té M.ge	DENOMINAZIONE	DESCRIPTION	DESIGNATION	BEZEICHNUNG
	1	14 60 06 52	1	Semimanubrio destro	RH half handle-bar	Demi-guidon D	Halblenkerstange, R.
	2	14 60 07 52	1	Semimanubrio sinistro	L.H. half handle-bar	Demi-guidon G	Halblenkerstange, L.
	3	98 62 03 35	3	Vite fiss. semimanub.	Screw	Vis	Schraube
	4	95 10 01 19	4	Rosetta per viti	Washer	Rondelle	Scheibe
	5	92 63 01 06	4	Dado per viti	Nut	Ecrou	Mutter
	6	14 60 35 00	1	Manopola destra	R.H. handgrip	Poignée D	Handgriff, R.
	7	14 60 30 00	1	Manopola sinistra	L.H. handgrip	Poignée G	Handgriff, L.
	8	14 60 34 50	1	Impugnatura com. gas	Throttle control	Commande de gaz	Gasregelung
	9	17 60 48 50	1	Gommino impugnatura	Bellows	Soufflet	Faltenbalg
	10	18 73 50 40	1	Interruttore avviam. e arresto motore	Engine starter stop switch	Interrupteur de starter - arrêt du moteur	Vorrichtung Motor Anlass. - Halt Schalter
	11	39 66 38 01	2	Cappuccio cavi	Protective cap	Capuchon protecteur	Schutzkappe
	12	95 10 01 42	2	Rosetta per elem. elast.	Washer	Rondelle	Scheibe
	13	14 60 55 50	1	Leva com. frizione com.	Clutch lever, compl.	Lever d'embrayage, c.	Kupplungshebel, kpl.
	14	14 60 57 50	1	Leva com. frizione	Clutch lever	Lever d'embrayage	Kupplungshebel
	15	18 74 60 40	1	Commut. com. luci	Dimmer switch	Commutateur phares	Abblendschalter
	16	18 75 03 40	1	Dispositivo indicatori - avv. acustico - lampegg.	Indicators - horn - flash control	Comm. des clignotants - avert - appel phare	Blinker - Horn - Lichtthupe
	17	17 75 11 00	1	Anello dentellato	Tooth ring	Anneau denté	Zahnring
	18	14 75 29 50	1	Guaina protez. cavi	Cable hose	Gainé	Schutzschlauch
	19	14 50 15 51	1	Cruscotto porta strum.	Instrument panel	Tableau de bord	Instrumentbrett
	20	95 00 02 06	2	Rosetta inferiore	Washer	Rondelle	Scheibe
	21	14 50 22 50	4	Elemento elastico	Rubber spacer	Anneau en caoutch.	Gummipuffer
	22	91 18 07 21	2	Bussola elem. elastico	Bush	Douille	Buchse
	23	92 63 01 06	2	Dado autobloccante	Self-locking nut	Ecrou à autoblocage	Hutmutter
	24	95 09 01 42	2	Rosetta	Washer	Rondelle	Scheibe
	25	98 62 03 41	2	Vite fiss. cruscotto	Screw	Schraube	Schraube
	26	14 76 15 50	1	Tachimetro kontakm	Tachimeter kontakm	Tachymètre Compt. km	Tachometer Km-Zähler
	27	14 74 72 50	1	Gruppo cavi crusc. faro	Cable set	Kit de câbles	Kabelsatz
	28	14 76 25 10	1	Rinvio completo (Z = 5/11)	Transmission, compl. (Z = 5/11)	Transmission compl. (Z = 5/11)	Vorgelege, kpl. (Z = 5/11)
	29	12 76 33 00	1	Bussola e pignone (Z = 11)	Bush and pinion (Z = 11)	Douille et pignon (Z = 11)	Buchse und Tachorzahel (Z = 11)
	30	14 76 61 10	1	Corona dentata (Z = 5)	Toothed rim (Z = 5)	Couronne dentée (Z = 5)	Zahnkranz (Z = 5)
	31	14 76 04 50	1	Trasmis. kontakm	Flexible shaft	Câble d'entraînement	Tachometerwelle
	32	14 76 72 50	1	Contagiri magnetico	Rev. counter	Compte-tours	Drehzahlmesser

850 LMTavola - Drawing
Table - Bild **13**MANUBRIO - COM. - STRUMENTAZ.
HANDLE-BAR-CONTR.-INST. PAN
GUIDON - COMM. - TABL. DE BORD
LENKER - STEUER. - INSTR. BRETTSEIMM
MOTO GUZZI

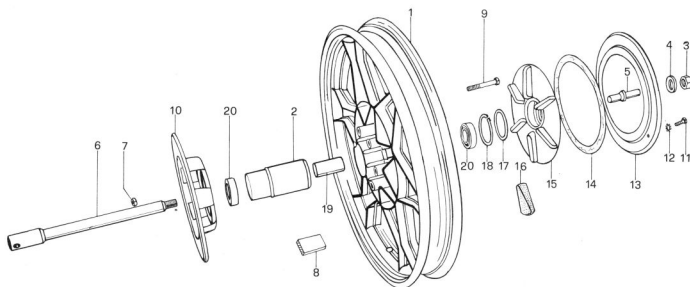
NOTE NOTES MARKE	POS. N.	N. COD. CODE No. No. CODE CODE Nr.	Q.tà Q.ty Q.té M.ge	DENOMINAZIONE	DESCRIPTION	DESIGNATION	BEZEICHNUNG
	33	14 76 92 00	1	Bussola con pignone (Z = 14)	Bush with pinion (Z = 14)	Douille avec pignon (Z = 14)	Buchse mit Tachoritzel (Z = 14)
	34	14 76 81 50	1	Trasmis. contagiri	Flexible shaft	Câble d'entraînement	Drehzählerwelle
	35	17 76 22 00	2	Guaina trasm. tachim. e contagiri	Speed - Rev. cable hose	Gaine de câble tach. compte-tours	Schutzschlauch für Tachom. Drehzahlmesser
	36	14 76 69 55	1	Supporto spie segn. c.	Support	Support	Halter
	37	14 76 86 51	8	Portialampada	Lamp socket	Douille d'ampoule	Glühlampenfassung
	38	93 45 01 40	8	Lampada spia (12 V - 1,2 W)	Pilot light (12 V - 1,2 W)	Témoin (12 V - 1,2 W)	Anzeigelicht (12 V - 1,2 W)
	39	18 75 95 50	1	Cavo massa disp.pompa	Cable	Câble	Kabel
	40	98 62 02 22	2	Vite	Screw	Vis	Schraube
	41	95 02 11 05	2	Rosetta	Washer	Rondelle	Scheibe
	42	17 76 06 50	2	Portialamp. tach. kontakm	Lamp socket	Douille d'ampoule	Glühlampenfassung
	43	17 76 21 50	2	Lampada (12V - 3W)	Lamp (12V - 3W)	Ampoule (12V - 3W)	Lampe (12V - 3W)



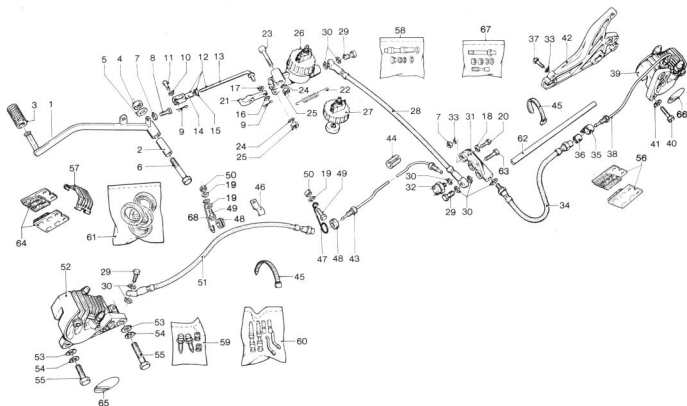
NOTE NOTES MARKE	POS. N.	N. COD. CODE No. No. CODE CODE Nr.	Q.tà Q.ty Q.té M.ge	DENOMINAZIONE	DESCRIPTION	DESIGNATION	BEZEICHNUNG
	1	14 61 03 51	1	Ruota anteriore	Front wheel	Roue AV	Vorderrad
	2	92 60 25 16	1	Dado	Nut	Ecrou	Mutter
	3	95 00 42 17	1	Rosetta	Washer	Rondelle	Scheibe
	4	14 61 63 50	1	Distanziale ruota gam.	Spacer	Entretroise	Distanzstück
	5	92 63 05 08	6	Dado autobloccante	Self-locking nut	Ecrou à autoblocage	Hutmutter
	6	98 05 24 60	6	Vite	Screw	Vis	Schraube
	7	14 61 33 50	2	Dischi freno	Brake disc	Disque frein	Bremsscheibe
	8	92 20 42 21	2	Cuscinetti mozzo ruota	Bearing	Roulement	Lager
	9	14 61 52 50	1	Distanziale	Spacer	Entretroise	Distanzstück
	10	14 61 41 50	1	Perno ruota anteriore	Wheel axle	Axe de roue	Radachse
	11	14 61 61 50	1 ÷ 2	Massa contrappeso	Balance weight	Masse additive	Gewichtsausgleich
	—	14 61 02 51	1	Ruota anteriore compl.	Front wheel, assy	Roue AV, compl.	Vorderrad, kpl.



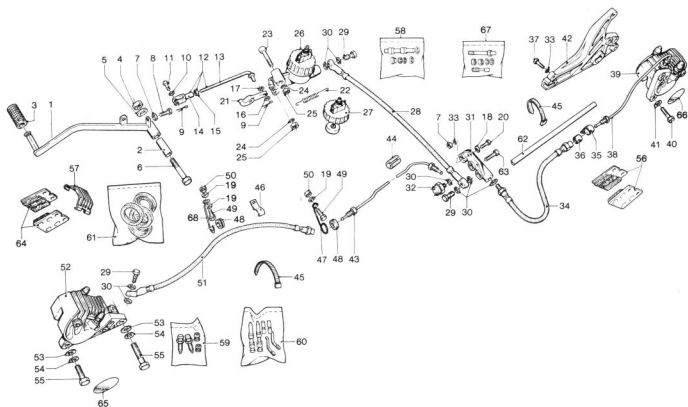
NOTE NOTES NOTES MARKE	POS. N.	N. COD. CODE No. No. CODE CODE Nr.	Q.tà Q.ty Q.té M.ge	DENOMINAZIONE	DESCRIPTION	DESIGNATION	BEZEICHNUNG
	1	17 66 02 53	1	Pompa serb. trasparente	Master cylinder	Maitre-cylindre	Bremszylinder
	2	14 60 56 50	1	Leva com. freno ant. dx	Hand lever	Levier à main	Handhebel
	3	17 65 94 50	1	Gruppo revisione viti	Screws kit	Kit de vis	Schrauben - Rep.-Satz
	4	14 65 49 00	1	Decalcom. pinza ant dx	Decalcom. pinza ant dx	Décalc. étrier AV D	Vord. Fests. Abziehbild, R.
	5	14 65 97 50	1	Occhio passatubo	Bracket	Etrier	Stütze
	6	91 55 11 20	1	Occhio gomma passat.	Rubber bracket	Etrier en caoutch.	Gummistütze
	7	14 66 38 50	1	Cappuccio pompa freno	Dust cap	Pare-poussière	Staubkappe
	8	14 65 71 50	1	Tubazione flessibile	Flexible hose	Tuyau flexible	Bremschlauch
	9	95 99 00 33	1	Vite cava	Hollow screw	Vis creuse	Hohlschraube
	10	25 65 61 00	3	Guarnizione	Gasket	Joint	Dichtung
	11	14 65 70 50	1	Interruttore idraulico	Stop light switch	Contacteur de stop	Stoplichtschalter
	12	14 65 30 01	1	Pinza anteriore dx	R.H. front brake caliper	Etrier AV D	Vord. Festsattel, R.
	13	95 00 42 10	2	Rosetta	Washer	Rondelle	Scheibe
	14	95 10 03 32	0 ÷ 4	Rosetta di spallamento (mm 0,5)	Spacer washer (mm 0,5)	Rondelle d'épaulement (mm 0,5)	Einstellscheibe (mm 0,5)
	14	95 10 03 33	0 ÷ 4	Rosetta di spallamento (mm 0,8)	Spacer washer (mm 0,8)	Rondelle d'épaulement (mm 0,8)	Einstellscheibe (mm 0,8)
	15	98 05 45 30	2	Vite	Screw	Vis	Schraube
	16	14 65 46 01	2	Pastiglie freno ant. dx (Ferit I/D 332)	R.H. front brake pad (Ferit I/D 332)	Patins de frein AV D (Ferit I/D 332)	Vord. Bremsbelag, R. (Ferit I/D 332)
	17	14 65 47 00	1	Coperchio per pinza	Cover	Couvercle	Deckel
	18	17 65 93 52	1	Gruppo revis. pompa	Master cylinder kit	Kit de maître-cylindre	Hauptbremsz. Rep.-Satz
	19	14 65 92 00	1	Gruppo revis. spurgo	Screws kit	Kit de vis	Schrauben - Rep.-Satz
	20	14 65 91 00	1	Gruppo revis. pastiglie	Pins kit	Kit de pivots	Bremsbelag - Rep.-Satz
	21	14 65 90 00	1	Gruppo revis. pinze	Seals kit	Kit de joints	Dichtung - Rep.-Satz
	22	17 66 11 52	1	Coperchio pompa com.	Mast cyl. cover, compl.	Couvercle maître-cyl. c.	Bremszylinderdeckel, kpl.
	23	17 66 13 52	1	Membrana a soffietto	Membrane	Membrane	Membran



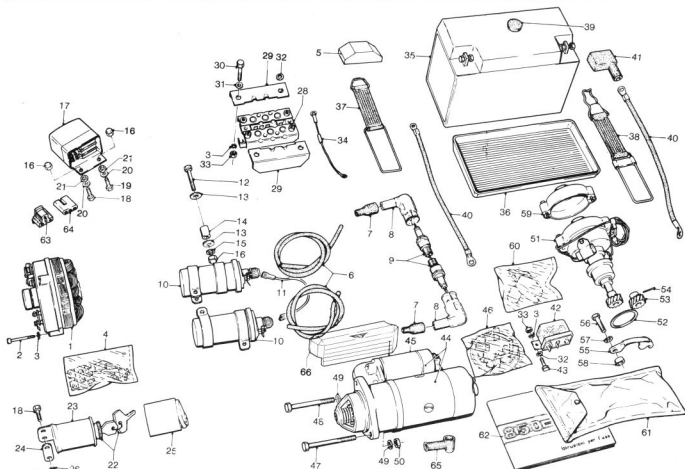
NOTE NOTES NOTES MARKE	POS. N.	N. COD. CODE No. No. CODE CODE Nr.	Q.tà Q.ty Q.té M.ge	DENOMINAZIONE	DESCRIPTION	DESIGNATION	BEZEICHNUNG
	1	14 63 06 51	1	Ruota posteriore	Rear wheel	Roue AR	Hinterrad
	2	14 63 22 50	1	Mozzo per ruota	Wheel hub	Moyeu de roue	Radnabe
	3	92 60 23 16	1	Dado	Nut	Ecrou	Mutter
	4	14 63 44 00	1	Anello lato scatola	Washer	Rondelle	Scheibe
	5	17 63 41 50	1	Distanziale	Spacer	Entretouise	Distanzstück
	6	17 63 33 50	1	Perno per mozzo	Wheel axle	Axe de roue	Radachse
	7	92 63 05 08	6	Dado	Nut	Ecrou	Mutter
	8	14 61 61 50	1 → 2	Masse equilibr. ruota	Balance weight	Masse additive	Gewichtsausgleich
	9	98 05 24 50	6	Vite fiss. disco	Screw	Vis	Schraube
	10	14 63 57 50	1	Disco freno poster.	Rear disc	Disque AR	Hinterbremssscheibe
	11	98 05 43 20	3	Vite	Screw	Vis	Schraube
	12	95 02 11 06	3	Rosetta	Washer	Rondelle	Scheibe
	13	14 33 56 50	1	Flangia	Flange	Fiasque	Flansch
	14	14 33 53 50	1	Anello di attrito	Ring	Bague	Ring
	15	14 33 52 03	1	Disco parastrappi	Elastic coupling	Joint élastique	Elast. Kupplung
	16	14 33 68 03	12	Elemento parastrappi	Rubber coupling	Joint en caoutch.	Gummikupplung
	17	90 70 64 90	1	Guarnizione OR	Gasket	Joint	Dichtung
	18	90 27 10 55	1	Anello seeger (55e)	Circlip (55e)	Jonc d'arrêt (55e)	Seegerring
	19	14 63 40 50	1	Distanziale completo	Spacer, compl.	Entretouise, compl.	Distanzstück, kpl.
	20	92 20 42 20	2	Cuscinetto mozzo	Bearing	Roulement	Lager
	—	14 63 02 51	1	Ruota poster. compl.	Rear wheel, compl.	Roue AR, compl.	Hinterrad, kpl.



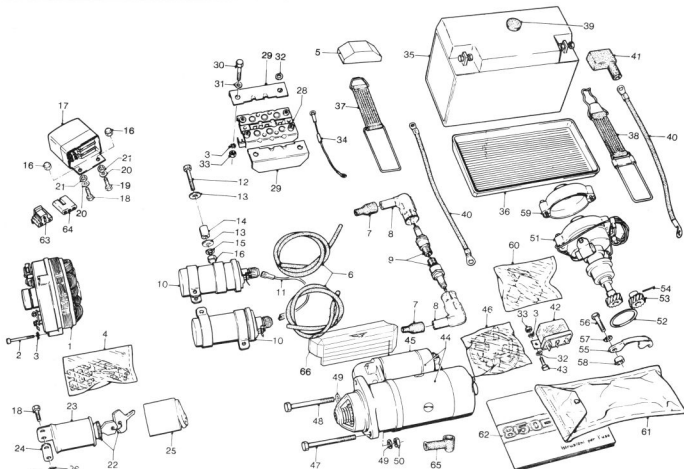
NOTE NOTES MARKE	POS. N.	N. COD. CODE No. No. CODE CODE Nr.	Q.tà Q.ty Q.tà M.ge	DENOMINAZIONE	DESCRIPTION	DESIGNATION	BEZEICHNUNG
	1	17 67 70 60	1	Leva a pedale com. fr.	Brake pedal	Pédale de frein	Bremsfußhebel
	2	17 25 20 50	1	Boccola per leva	Bush	Douille	Buchse
	3	14 25 10 01	1	Pedalino gomma	Pedal rubber	Caoutchouc de pédale	Gummigleitschutz
	4	92 70 11 21	1	Dado	Nut	Ecrou	Mutter
	5	17 25 27 50	1	Rosetta elast. ondul.	Spring washer	Rondelle élastique	Federring
	6	17 25 23 50	1	Vite	Screw	Vis	Schraube
	7	92 60 22 06	3	Dado	Nut	Ecrou	Mutter
	8	98 05 43 20	1	Vite registro leva	Adjusting screw	Vis réglage	Einstellschraube
	9	95 50 02 22	2	Copiglia	Split pin	Goupille	Splint
	10	95 12 91 10	1	Rosetta antivibrante	Washer	Rondelle éventail	Unterlegscheibe
	11	95 78 02 65	1	Spina	Pin	Pivot	Bundbolzen
	12	17 67 50 51	1	Tirante com. freni	Connecting rod	Tige intermédiaire	Zwischenstange
	13	17 67 51 51	1	Tirante	Connecting rod	Tige intermédiaire	Zwischenstange
	14	95 74 01 71	1	Forcellino	Fork	Fourchette	Gabel
	15	92 70 00 73	1	Dado	Nut	Ecrou	Mutter
	16	95 10 01 73	1	Rosetta	Washer	Rondelle	Scheibe
	17	95 12 91 30	1	Rosetta antivibrante	Shake proof washer	Rondelle éventail	Unterlegscheibe
	18	95 00 12 06	1	Rosetta piana vit fiss. rp.	Washer	Rondelle	Scheibe
	19	95 00 02 06	2	Rosetta piana	Washer	Rondelle	Scheibe
	20	98 07 43 20	1	Vite fiss. ripart.	Screw	Vis	Schraube
	21	17 66 75 51	1	Leva com. pompa	Control lever	Lévier de commande	Schalthebel
	22	17 66 78 51	1	Molla	Spring	Ressort	Feder
	23	98 62 04 40	1	Vite	Screw	Vis	Schraube
	24	95 02 11 08	2	Rosetta elast. dentell.	Tooth washer	Rondelle dentée	Zahnscheibe
	25	92 60 22 08	2	Dado	Nut	Ecrou	Mutter
	26	18 66 70 50	1	Pompa com. freni	Master cylinder	Maitre-cylindre	Hauptbremszylinder
	27	18 66 74 50	1	Coperchio pompa	Cover	Couvercle	Deckel
	28	18 65 85 60	1	Tubazione	Flexible hose	Tuyau flexible	Bremsschlauch
	29	95 99 00 33	2	Vite cava	Hollow screw	Vis creuse	Hohlschraube
	30	25 65 61 00	8	Guarnizione	Gasket	Joint	Dichtung
	31	17 66 80 50	1	Ripartitore posteriore	Distributor	Raccord	Verteiler
	32	63 65 70 00	1	Interruttore idraulico	Stop light switch	Contacteur de stop	Stoptlichtschalter
	33	95 02 11 06	3	Rosetta elast. dentell.	Tooth washer	Rondelle dentée	Zahnscheibe
	34	17 65 75 50	1	Tubazione flessibile	Flexible hose	Tuyau flexible	Bremsschlauch
	35	62 43 65 00	1	Supporto tubazione	Bracket	Support	Stütze
	36	90 71 61 42	1	Anello elastico	Rubber grommet	Douille en caoutchouc	Gummitülle

850 LMTavola - Drawing
Table - Bild**17**FRENO ANT. SIN. E POST. - COM.
REAR-FRONT L.H. BRAKE - CONTR.
FREIN AV G ET AR - COMMANDES
HINT. L. VORD. BREMSE-STEUER.SEIMM
MOTO GUZZI

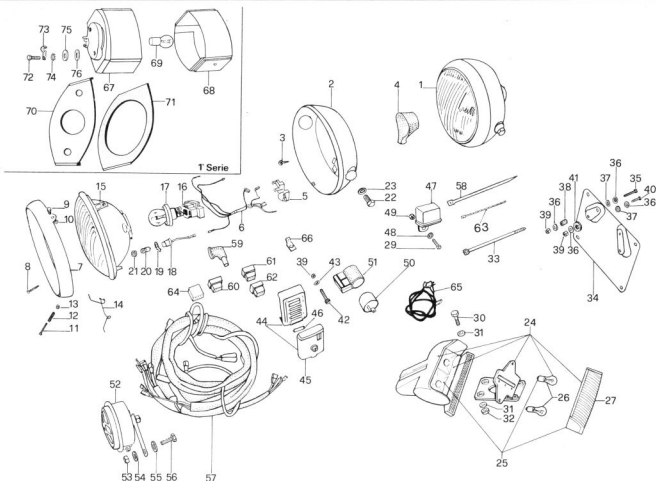
NOTE NOTES MARKE	POS. N.	N. COD. CODE No. No. CODE CODE Nr.	Q.tà Q.ty Q.té M.ge	DENOMINAZIONE	DESCRIPTION	DESIGNATION	BEZEICHNUNG
	37	98 05 43 14	1	Vite	Screw	Vis	Schraube
	38	17 65 86 50	1	Tubazione rigida	Rigid pipe	Tuyau rigide	Rohrleitung
	39	14 65 30 01	1	Pinza posteriore	Rear caliper	Etrier AR	Hinterfestsattel
	40	98 05 45 30	2	Vite	Screw	Vis	Schraube
	41	95 00 42 10	2	Rosetta	Washer	Rondelle	Scheibe
	42	18 63 58 60	1	Staffa	Bracket	Chape	Träger
	43	17 65 87 50	1	Tubazione rigida	Rigid pipe	Tuyau rigide	Rohrleitung
	44	17 65 96 50	1	Fascia elastica	Clamp	Collier	Klemme
	45	13 60 96 60	2	Fascetta	Hose clip	Collier	Schlauchbinder
	46	93 30 13 13	1	Cavallotto	Clamp	Guide-câble	Befestigungsschelle
	47	17 65 97 50	1	Occhio	Bracket	Support	Stütze
	48	91 55 11 20	2	Anello tubazione	Rubber grommet	Douille en caoutchouc	Gummitülle
	49	98 05 43 16	2	Vite fiss. occhiello	Screw	Vis	Schraube
	50	92 63 01 06	2	Dado autobloccante	Self-locking nut	Ecrou à autoblocage	Hutmutter
	51	14 65 88 51	1	Tubazione flessibile	Flexible hose	Tuyau flexible	Bremschlauch
	52	14 65 22 00	1	Pinza anteriore sx	L.H. front caliper	Etrier AV G	Vorderfestsattel, L.
	53	95 10 03 32	0 ÷ 4	Rosetta di spallamento (mm 0,5)	Spacer washer (mm 0,5)	Rondelle d'épaulement (mm 0,5)	Einstellscheibe (mm 0,5)
	53	95 10 03 33	0 ÷ 4	Rosetta di spallamento (mm 0,8)	Spacer washer (mm 0,8)	Rondelle d'épaulement (mm 0,8)	Einstellscheibe (mm 0,8)
	54	95 00 42 10	2	Rosetta	Washer	Rondelle	Scheibe
	55	98 05 45 30	2	Vite	Screw	Vis	Schraube
	56	14 65 46 01	2	Pastiglia pinza post. Ferit I/D 332	Rear pads Ferit I/D 332	Patins de frein AR Ferit I/D 332	Hinterbremsbelag Ferit I/D 332
	57	14 65 47 00	2	Coperchio pinza	Cover	Couvercle	Deckel
	58	17 65 93 50	1	Gruppo revis. pompa	Master cylinder kit	Kit de maître-cylindre	Hauptbremszyl. Rep. Satz
	59	17 65 92 60	1	Gruppo revis. spurgo	Screws kit	Kit de vis	Schrauben - Rep. Satz
	60	14 65 91 00	1	Gr. rev. pastiglie	Pins kit	Kit de pivots	Bremsbelag - Rep. Satz
	61	14 65 90 00	1	Gruppo rev. pinze	Seals kit	Kit de joints	Dichtung - Rep. Satz
	62	17 65 98 50	1	Guaina	Hose	Gaine	Schutzschlauch
	63	98 07 23 25	1	Vite fiss. rip. e man.	Screw	Vis	Schraube
	64	14 65 46 50	2	Pastiglia pinza ant. sx Ferit I/D 330	L.H. front caliper pad Ferit I/D 330	Patin étrier AV G Ferit I/D 330	Vorderbremsbelag, L. Ferit I/D 330
	65	14 65 27 00	1	Decalcom. pinza ant. sx	L.H. front cal. moulding	Mou lure étrier AV G	Vorderfests. Abziehbild L.
	66	14 65 49 00	1	Decalcom. pinza post.	Rear cal. moulding	Mou lure étrier AR	Hinterfests. Abziehbild
	67	14 65 94 50	1	Gruppo rev. viti pompa	Screws master cyl. kit	Kit de vis maître-cyl.	Schr. Hauptbr. Rep.-Satz
	68	18 65 97 50	1	Occhio guida tubaz.	Bracket	Support	Stütze



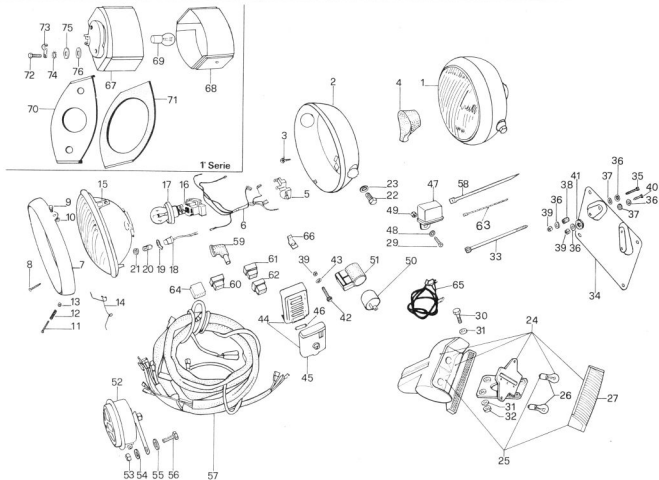
NOTE NOTES NOTES MARKE	POS. N.	N. COD. CODE No. No. CODE CODE Nr.	Q.tà Q.ty Q.tib M.ge	DENOMINAZIONE	DESCRIPTION	DESIGNATION	BEZEICHNUNG
	1	17 71 24 00	3	Generatore alternat.	Alternator	Alternateur	Drehstromgenerator
	2	98 62 02 45	1	Vite	Screw	Schraube	Schraube
	3	95 02 11 05	9	Rosetta elast. dentell.	Tooth washer	Rondelle dentée	Zahnscheibe
	4	17 71 99 00	1	Gruppo revis. generat.	Alternator kit	Kit de l'alternateur	Generator - Rep. Satz
	5	14 70 53 50	1	Cuneo ancor. batteria	Battery wedge	Coin batterie	Batteriekieil
	6	17 71 84 50	2	Cavi candele	Spark plug wire	Bougie "bosch"	Zündkerzekabel
	7	14 71 76 00	1	Cappuccio protezione	Protective cap	Capuchon protecteur	Schutzkappe
	8	14 71 74 00	2	Attacco cavi candele	Spark plug cap	Embout de bougie	Zündkerzenstecker
	9	14 71 70 50	2	Candela di acc. "Bosch"	Spark plug "Bosch"	Bougie "Bosch"	Zündkerze "Bosch"
	9	17 71 84 50	2	Candela acc. "Champion"	Spark plug "Champion"	Bougie "Champion"	Zündkerze "Champion"
	9	19 71 70 03	2	Candela di acc. "Lodge"	Spark plug "Lodge"	Bougie "Lodge"	Zündkerze "Lodge"
	10	14 71 65 00	2	Bobina di accensione	Ignition coil	Bobine d'allumage	Zündspule
	11	14 74 77 00	1	Cavo bobina 1 a bob. 2	Coil 1 - coil 2 wire	Câble bobine 1 - bob. 2	Zündspule 1-2 Kabel
	12	98 05 23 45	2	Vite	Screw	Schraube	Schraube
	13	95 10 01 54	2	Rosetta	Washer	Rondelle	Scheibe
	14	91 18 07 18	2	Distanziale	Spacer	Entretoise	Distanzbüchse
	15	95 00 02 06	2	Rosetta piana	Washer	Rondelle	Scheibe
	16	92 63 01 06	4	Dado autobloccante	Self-locking nut	Ecrou à autoblocage	Muttermutter
	17	17 70 38 00	1	Regolatore Bosch	Regulator - Bosch	Régulateur Bosch	Spannungsregler Bosch
	18	98 05 43 20	3	Vite	Screw	Vis	Schraube
	19	98 05 43 16	2	Vite	Screw	Vis	Schraube
	20	95 10 01 41	2	Rosetta grande	Washer	Rondelle	Scheibe
	21	93 11 00 60	2	Spessore in gomma	Rubber space	Entretoise en caoutch.	Gummipuffer
	22	17 73 53 50	1	Commutat. d'accens.	Ignition switch, com.	Contacteur d'all. com.	Zündschalter, kpl.
	23	17 73 64 50	1	Supporto commut.	Bracket	Support	Träger
	24	17 73 56 50	1	Spessore supporto	Spacer	Entretoise	Ausgleichblech
	25	14 73 58 00	1	Cappuccio commuta.	Cap	Capuchon	Kappe
	26	95 02 11 06	2	Rosetta elast. dent.	Tooth washer	Rondelle dentée	Zahnscheibe
	27	92 60 22 06	2	Dado	Nut	Ecrou	Mutter
	28	17 70 43 00	1	Raddrizzatore	Rectifier	Redresseur	Gleichrichter
	29	14 70 42 05	2	Coperchio raddrizz.	Cover	Couvercle	Deckel
	30	98 30 50 17	4	Vite	Screw	Vis	Schraube
	31	95 10 00 59	2	Rosetta grande	Washer	Rondelle	Scheibe
	32	95 00 02 05	4	Rosetta piana	Washer	Rondelle	Scheibe
	33	92 60 22 05	5	Dado per viti	Nut	Ecrou	Mutter
	34	17 74 85 00	1	Cavo massa radd.	Earthing wire	Câble de masse	Massaleitung

850 LMTavola - Drawing
Table - Bild**18**ACCENSIONE - DOTAZIONE
IGNITION - KITS
ALLUMAGE - KITS
ZÜNDUNG - REPARATURSATZSEIMM
MOTO GUZZI

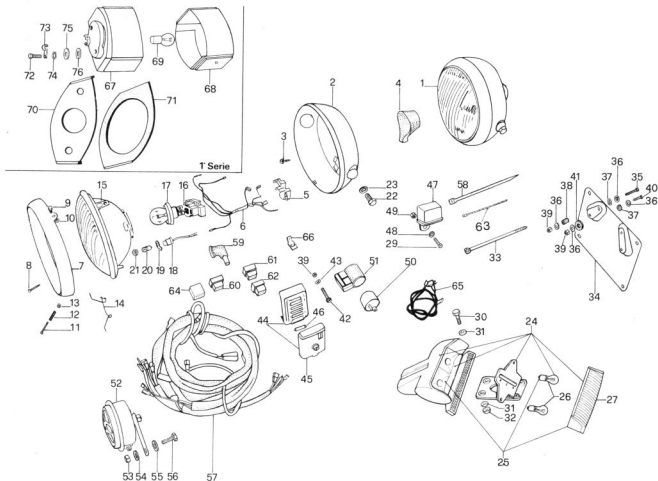
NOTE NOTES NOTES MARKE	POS. N.	N. COD. CODE No. No. CODE CODE Nr.	Q.tà Qty Q.té M.ge	DENOMINAZIONE	DESCRIPTION	DESIGNATION	BEZEICHNUNG
	35	14 70 45 05	1	Accumulatore 12V - 20Ah	Battery 12V - 20 Ah	Batterie 12V - 20Ah	Batterie 12V - 20Ah
	36	14 70 70 00	1	Vaschetta accumul. Staffa fiss. batteria	Battery holder Flexible clamp	Plateau de batterie	Batterieplatte Collier élastique
	37	14 70 48 00	1				
	38	14 70 55 00	1	Staffa fiss. batteria	Flexible clamp	Collier élastique	Elast. Klammer
	39	93 18 02 20	1	Tampone	Plug	Bouchon	Stopfen
	40	14 74 84 50	2	Cavo batteria	Battery wire	Câble batterie	Batteriekabel
	41	25 70 67 00	1	Cappuccio morsetto	Dust cap	Pare-poussière	Staubkappe
	42	12 73 25 00	1	Teleruttore	Relay	Relais	Relais
	43	98 05 42 14	2	Vite	Screw	Vis	Schraube
	44	14 73 07 06	1	Motorino avv. Bosch Interruttore completo	Starter Bosch Switch, compl.	Démarrreur Bosch Interrupteur compl.	Starter Bosch Schalter, kpl.
	45	14 73 05 58	1				
	46	14 73 05 70	1	Gruppo rev. mot. avv.	Starter kit	Kit de démarrage	Starter - Rep. Satz
	47	98 05 24 80	1	Vite	Screw	Vis	Schraube
	48	98 05 24 70	1	Vite	Screw	Vis	Schraube
	49	95 00 42 08	2	Rosetta	Washer	Rondelle	Scheibe
	50	92 60 22 08	1	Dado	Nut	Ecrou	Mutter
	51	14 71 54 00	1	Doppio rutt. con antic. Guarnizione	Distributor with regul. Gasket	Distributeur avec régul. Joint	Zündventiler mit Verst. Dichtung
	52	14 71 64 00	1				
	53	14 71 62 00	1	Ingranaggio completo	Helical gear wheel	Roue hélicoïdale	Schraubenrad
	54	95 51 03 18	1	Spina	Pin	Goupille	Stift
	55	14 71 57 00	1	Piastrina	Fastener	Arrêtior	Halter
	56	98 05 24 30	2	Vite	Screw	Vis	Schraube
	57	95 12 00 05	2	Rosetta elastica	Spring washer	Rondelle élastique	Federling
	58	91 18 09 07	2	Distanziale	Spacer	Entretoise	Distanzbüchse
	59	14 71 54 20	1	Coperchio ruttore	Cover	Couvercle	Deckel
	60	14 71 98 00	1	Gruppo revis. dopp. rut. Dotazione completa	Distributor kit Tool bag, compl.	Kit de distributeur Trousse complète	Zündventiler Rep. - Satz Werkzeugtasche, kpl.
	61	17 92 99 00	1				
	62	14 90 00 50	1	Libretto istruz. (I)	Rider's handbook (I)	Manuel d'entretien (I)	Betriebsanleitung (I)
	62	14 90 00 51	1	Libretto istr. (GB)	Rider's handbook (GB)	Manuel d'ent. (GB)	Betriebsanleitung (GB)
	62	14 90 00 52	1	Libretto istr. (F)	Rider's handbook (F)	Manuel d'entretien (F)	Betriebsanleitung (F)
	62	14 90 00 53	1	Libretto istr. (D)	Rider's handbook (D)	Manuel d'entretien (D)	Betriebsanleitung (D)
	63	61 71 25 00	1	Connettore innesti	Connection	Branchement	Steckdose
	64	61 71 26 00	1	Connettore	Connection	Branchement	Steckdose
	65	19 70 71 00	1	Cappuccio mors. mot. avv.	Cap	Cappuchon	Kappe
	66	19 73 33 50	1	Protezione motorino	Protection	Protection	Schutz



NOTE NOTES MARKE	POS. N.	N. COD. CODE No. CODE Nr.	Q.tà Q.ty Q.té M.ge	DENOMINAZIONE	DESCRIPTION	DESIGNATION	BEZEICHNUNG
	1	14 74 05 50	1	Proiettore compl.	Headlight, compl.	Projecteur, compl.	Scheinwerfer, kpl.
	2		1	Calotta	Body	Boîtier	Scheinwerfergehäuse
	3	17 74 03 08	2	Vite autofilettante	Lenshead screw	Vis parker	Blechschraube
	4	17 74 04 04	1	Tappo calotta	Plug	Bouchon	Stopfen
	5	14 74 04 59	1	Basetta con innesto	Rubber base	Caoutchouc	Gummiunterlage
	6	14 74 04 60	1	Cavetti interni	Cables	Câbles	Kabel
	7	14 74 04 56	1	Ghiera nero opaco	Mat black ring nut	Embout noir opaque	Opakschwarz Haltering
	8	17 74 03 02	1	Vite	Screw	Vis	Schraube
	9	17 74 03 06	1	Perno regolazione	Pin	Axe	Stift
	10	17 74 03 07	1	Anello benzing	Circlip	Circlip	Benzing Sicherung
	11	17 74 03 03	1	Vite regolazione	Adjusting screw	Vis de réglage	Einstellschraube
	12	14 74 04 57	1	Molla	Spring	Ressort	Feder
	13	17 74 03 05	1	Dado quadro	Nut	Ecrou	Mutter
	14	14 74 03 01	6	Molla	Spring	Ressort	Feder
	15	14 74 04 55	1	Gruppo ottico	Head lamp	Optique de phare	Scheinwerfer Einsatz
	16	17 74 04 01	1	Zoccolo presa corrente	Socket	Douille	Anschlussstecker
	17	93 45 02 31	1	Lampada a sfera	Bulb	Ampoule	Glühlampe
	18	17 74 04 05	1	Portalamada con cavo	Socket	Douille d'ampoule	Lampenfassung
	19	17 74 03 10	1	Linguetta di massa	Contact	Contact	Kontaktstück
	20	93 45 01 19	1	Lampada luce città	Lamp	Lampe	Lampe
	21	17 74 03 09	1	Passacavo Ø 13	Rubber grommet Ø 13	Douille en caoutch Ø 13	Gummistülpe Ø 13
	22	98 05 45 20	2	Vite	Screw	Vis	Schraube
	23	95 12 01 05	1	Rosetta	Washer	Rondelle	Scheibe
	24	19 74 09 00	1	Fanalino post. compl.	Tail light, compl.	Lanterne AR, compl.	Rücklicht, kpl.
	25	65 74 09 00	1	Fanalino poster.	Tail light	Lanterne AR	Rücklicht
	26	93 45 02 23	1	Lampada sferica	Bulb	Ampoule	Glühlampe
	27	65 74 17 00	1	Portalamada con cavetto	Socket	Douille	Lampenfassung
	29	98 05 43 20	1	Coppetta per fanalino	Cup	Couppelle	Kappe
			1	Vite fiss. telerruttore	Screw	Vis	Schraube
	30	98 05 43 16	2	Vite sup. fiss. fan. post.	Screw	Vis	Schraube
	31	95 10 01 21	4	Rosetta per viti	Washer	Rondelle	Scheibe
	32	92 60 22 06	2	Dado infer. fiss. fan.	Nut	Ecrou	Mutter
	33	14 60 96 50	10	Fascetta ten. cavi trasm.	Clamp	Collier	Schelle
	34	14 47 46 50	1	Piastra porta targa	Plate	Plaque	Platte
	35	98 05 22 20	2	Vite	Screw	Vis	Schraube
	36	95 10 00 59	8	Rosetta piana	Washer	Rondelle	Scheibe
	37	90 71 60 57	4	Guarnizione	Gasket	Joint	Dichtung

850 LMTavola - Drawing
Table - Bild**19**ILLUMINAZIONE - ACUSTICO
LIGHTING - HORN
SIGNALS LUMINEUX - AVERTISS.
BELEUCHTUNG - HUPESEIMM
MOTO GUZZI

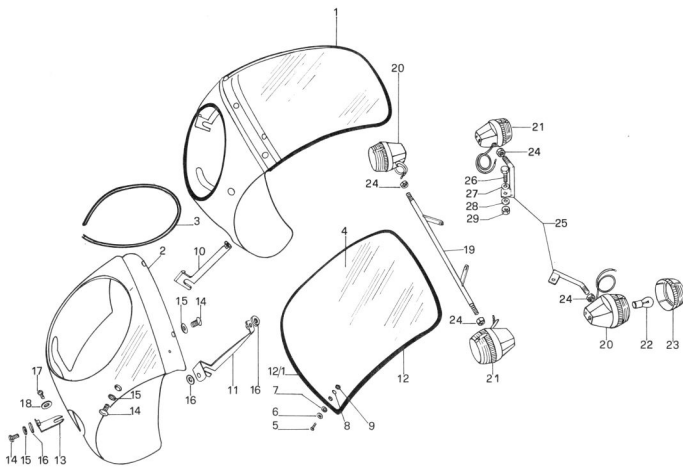
NOTE NOTES NOTES MARKE	POS. N.	N. COD. CODE No. No. CODE CODE Nr.	Q.tà Q.ty Q.té M.ge	DENOMINAZIONE	DESCRIPTION	DESIGNATION	BEZEICHNUNG
	38	90 71 60 67	2	Spessore elastico int.	Spacer	Entretoise	Gummistück
	39	92 63 01 05	6	Dado autobloccante	Self-locking nut	Ecrout à autoblocage	Hutmutter
	40	98 05 22 40	2	Vite	Screw	Vis	Schraube
	41	14 47 47 50	2	Tampone	Plug	Bouchon	Stopfen
	42	98 20 25 30	2	Vite	Screw	Vis	Schraube
	43	95 00 02 05	2	Rosetta	Washer	Rondelle	Scheibe
	44	17 74 30 00	1	Morsetiera	Fuse box	Boîte de fusibles	Sicherungsdose
	45	17 74 31 00	1	Coperchio morsetiera	Cover	Couvercle	Deckel
	46	17 74 25 50	6	Fusibile (16 A)	Fuse (16 A)	Fusible (16 A)	Schmelzeinsatz (16 A)
	47	12 70 85 41	1	Teleruttore lampeggio	Relay	Relais	Relais
	48	95 00 02 06	1	Rosetta	Washer	Rondelle	Scheibe
	49	92 63 01 06	1	Dado autobloccante	Self-locking nut	Ecrout à autoblocage	Hutmutter
	50	17 75 05 20	1	Intermittenza lamp.	Intermittence	Centrale clignotants	Intermittenz
	51	17 75 12 00	1	Sostegno antivibrante	Rubber holder	Support	Gummihalter
	52	14 74 37 00	1	Tromba electr. (t. alto)	Horn	Avertisseur	Signalhorn
	53	92 60 22 08	1	Dado	Nut	Ecrout	Mutter
	54	95 02 11 08	1	Rosetta elast. dentell.	Tooth washer	Rondelle dentée	Zahnscheibe
	55	95 00 02 08	1	Rosetta piana	Washer	Rondelle	Scheibe
	56	98 05 44 20	1	Vite	Screw	Vis	Schraube
	57	14 74 71 51	1	Gruppo princip. cavi	Cable kit	Kit de câbles	Kabelsatz
	58	13 60 96 60	4	Fascetta	Clamp	Collier	Schelle
	59	12 73 51 50	2	Cappuccio	Protective cap	Chapeau de protect.	Schutzkappe
	60	14 75 61 01	1	Connettore femm. 15 vie	Connection	Branchement	Steckdose
	61	14 75 90 50	1	Connettore pr. f. 12 vie	Connection	Branchement	Steckdose
	62	14 75 89 50	1	Connett. p. m. 12 vie	Connection	Branchement	Steckdose
	63	49 60 96 01	3	Fascetta	Clamp	Collier	Schelle
	64	14 75 62 51	1	Connett. p. m. 15 vie	Connection	Branchement	Steckdose
	65	14 74 73 50	1	Gruppo cavi per fan. post	Cable set	Kit de câbles	Kabelsatz
	66	93 40 08 63	1	Faston maschio	Faston joint	Connexion "Faston"	"Faston" Anschluss



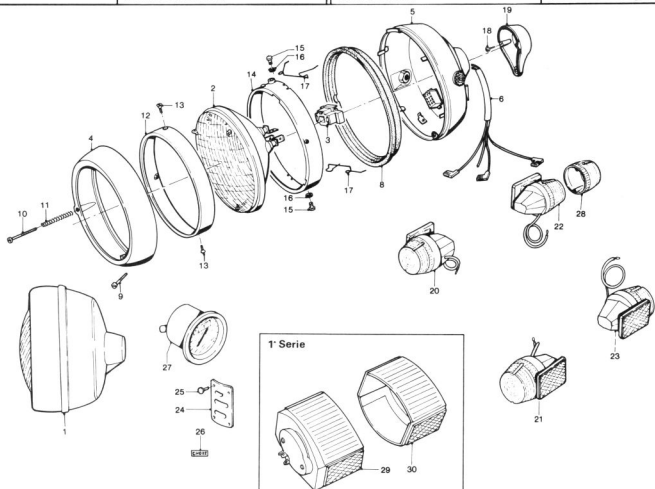
NOTE NOTES NOTES MARKE	POS. N.	N. COD. CODE No. No. CODE CODE Nr.	Q.ta Q.ty Q.té M.ge	DENOMINAZIONE	DESCRIPTION	DESIGNATION	BEZEICHNUNG
---------------------------------	------------	---	------------------------------	---------------	-------------	-------------	-------------

★ Varianti per la 1a serie - Modifications for 1st serie - Variantes pour la 1ère série - Umänderungen für 1. Serie

67	17 74 09 00	1	Fanalino posteriore	Tail light	Lanterne AR	Schlusslampe
68	17 74 17 01	1	Catadiotro	Reflector	Catadioptre	Ruckstrahler
69	93 45 02 24	1	Lampada sferica	Bulb	Ampoule	Glühlampe
70	14 74 14 50	1	Cavallotto	U-bolt	Etrier	Bügelerschraube
71	14 74 12 50	1	Guarnizione	Gasket	Joint	Dichtung
72	98 05 43 20	2	Vite fiss. fanalino	Screw	Vis	Schraube
73	93 30 11 75	1	Cavallotto	U-bolt	Etrier	Bügelerschraube
74	95 02 11 06	2	Rosetta elast. dentell.	Tooth washer	Rondelle dentée	Zahnscheibe
75	95 10 01 41	2	Rosetta piana grande	Washer	Rondelle	Scheibe
76	93 11 00 60	2	Spessore	Shim	Epaisseur	Distanzstück



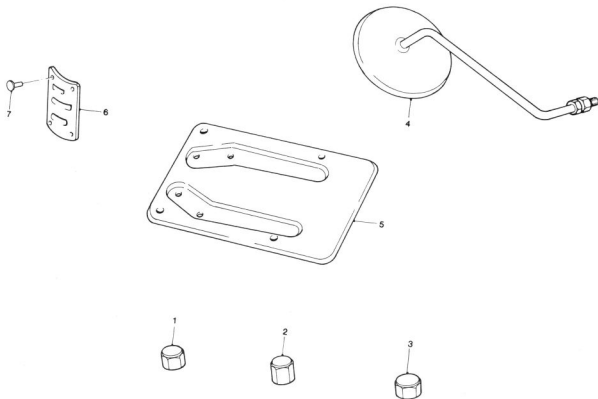
NOTE NOTES NOTES MARKE	POS. N.	N. COD. CODE No. CODE CODE CODE Nr.	Q.tà Q.ty Q.té M.ge	DENOMINAZIONE	DESCRIPTION	DESIGNATION	BEZEICHNUNG
	1	14 57 53 51	1	Carenatura completa (rosso)	Cowling, compl. (red)	Carénage, compl. (rouge)	Ausrundung, kpl. (Rot)
	1	14 57 53 52	1	Carenatura completa (grigio-azzurro)	Cowling, compl. (gris-light blue)	Carénage, compl. (gris-bleu clair)	Ausrundung, kpl. (Grau-Hellblau)
	1	14 57 53 56	1	Carenatura completa (bianco latte)	Cowling, compl. (white)	Carénage, compl. (blanc)	Ausrundung, kpl. (Weiss)
	2	14 57 55 51	1	Carenatura (rosso)	Cowling (red)	Carénage (rouge)	Ausrundung (Rot)
	2	14 57 55 52	1	Carenatura (grigio-azzurro)	Cowling (gris-light blue)	Carénage (gris-bleu clair)	Ausrundung (Grau-Hellblau)
	2	14 57 55 56	1	Carenatura (bianco latte)	Cowling (white)	Carénage (blanc)	Ausrundung (Weiss)
	3	14 57 89 50	1	Guarnizione caren.	Gasket	Joint	Dichtung
	4	14 57 72 50	1	Parabrezza con guarn.	Windshield	Pare-brise	Windschutz
	5	98 26 04 16	3	Vite	Screw	Vis	Schraube
	6	14 57 78 50	3	Ranella est. sagomata	Washer	Rondelle	Scheibe
	7	90 70 60 35	3	Anello elastico	Rubber grommet	Douille en caoutch.	Gummitülle
	8	95 00 02 04	3	Ranella piana	Washer	Rondelle	Scheibe
	9	92 60 20 04	3	Dado	Nut	Ecrou	Mutter
	10	14 57 86 51	1	Supporto dx caren.	Support	Support	Halter
	11	14 57 87 51	1	Supporto sx caren.	Support	Support	Halter
	12	14 57 79 50	1	Guarnizione	Gasket	Joint	Dichtung
	12/1	14 57 79 51	1	Guarnizione	Gasket	Joint	Dichtung
	13	14 57 88 51	1	Squadretta inferiore	Bracket	Equerre	Stütze
	14	98 32 60 14	5	Vite	Screw	Vis	Schraube
	15	95 00 02 06	5	Ranella esterna	Washer	Rondelle	Scheibe
	16	93 11 00 60	5	Anello elastico	Rubber grommet	Douille en caoutch.	Gummitülle
	17	98 05 43 14	1	Vite	Screw	Vis	Schraube
	18	95 00 02 06	1	Ranella per vite	Washer	Rondelle	Scheibe
	19	14 75 13 51	1	Supporto aut. per indic.	Holder	Support	Halter
	20	14 75 06 50	2	Indicatori anteriori	Indicators	Support Clignotants	Halter Blinker
	21	14 75 06 51	2	Indicatori direzione	Indicators	Clignotants	Blinker
	22	93 45 01 29	4	Lampada a bulbo (12V - 21W)	Bulb	Ampoule (12V - 21W)	Glühlampe (12V - 21W)
	23	14 75 37 50	4	Coppa lampeggiatore	Cap	Couppelle	Kappe
	24	92 60 24 11	4	Dado	Nut	Ecrou	Mutter
	25	14 75 85 50	2	Bracci porta lampegg.	Holder	Rondelle	Halter
	26	98 07 44 16	2	Vite fiss. bracci	Screw	Vis	Schraube
	27	95 02 11 08	2	Rosetta elastica	Spring washer	Rondelle élastique	Federring
	28	95 00 72 08	2	Rosetta piana	Washer	Rondelle	Scheibe
	29	92 60 22 08	2	Dado per viti	Nut	Ecrou	Mutter



NOTE NOTES NOTES MARKE	POS. N.	N. COD. CODE No. No. CODE CODE Nr.	Q.tà Q.ty Q.té M.ge	DENOMINAZIONE	DESCRIPTION	DESIGNATION	BEZEICHNUNG
	1	14 74 05 80	1	Proiettore ant. compl.	Headlight, compl.	Projecteur complet	Scheinwerfer, kpl.
	2	17 74 04 20	1	Unità sigillata	Sealed beam	Phare "Sealed beam"	Scheinw. "Sealed beam"
	3	17 74 04 01	1	Zoccolo	Socket	Douille d'ampoule	Anschlussstecker
	4	17 74 04 81	1	Ghiera	Ring nut	Embout	Zierring
	5	17 74 04 80	1	Calotta ccompl.	Body, compl.	Boîtier compl.	Scheinwerfergeh. kpl.
	6	14 74 04 60	1	Cavetti interni	Cables	Cables	Kabel
	8	17 74 04 24	1	Guarnizione	Gasket	Joint	Dichtung
	9	17 74 03 28	1	Vite speciale	Screw	Vis	Schraube
		17 74 03 21	1	Vite	Screw	Vis	Schraube
	11	17 74 03 22	1	Molla	Spring	Ressort	Feder
	12	17 74 04 25	1	Anello ritegno	Retaining ring	Anneau d'arrêt	Haltering
	13	17 74 03 29	3	Vite	Screw	Vis	Schraube
	14	17 74 04 26	1	Anello di regolazione	Adjusting ring	Bague de réglage	Einstellung
	15	14 74 03 25	2	Perno di regolazione	Pin	Axe	Stift
	16	17 74 03 07	2	Anello benzing	Circlip	Circlip	Benzingsicherung
	17	17 74 03 26	2	Molla	Spring	Ressort	Feder
	18	17 74 03 08	2	Vite autofilettante	Lenshead screw	Vis parker	Blechschraube
	19	17 74 04 82	1	Tappo calotta	Plug	Bouchon	Stoßen
	20	14 75 06 80	1	Indicatore anter. dx	R. H. front indicator	Clignotant AV D	Vorderblinker, R.
	21	14 75 06 81	1	Indicatore anter. sx	L. H. front indicator	Clignotant AV G	Vorderblinker, L.
	22	14 75 16 80	1	Indicatore post. dx	R. H. rear indicator	Clignotant AV D	Hinterblinker, R.
	23	14 75 16 81	1	Indicatore post. sx	L. H. rear indicator	Clignotant AR G	Hinterblinker, L.
	24	17 91 84 21	1	Targhetta identif. telaio	Name plate	Plaque ident. châssis	Schild
	25	45 91 85 70	6	Ribattino fiss. targhetta	Rivet	Rivet	Niet
	26	17 92 09 60	1	Decalcomania sul disp. comando starter	Trim on starter device	Décalcomanie sur disp. comm. démar.	Abziehbild auf dem dem Anlasser
	27	17 76 16 20	1	Tachimetro contamiglia	Speedometer (miles)	Compteur (miles)	Tacho (Meilen)
	28	14 75 37 80	1	Coppetta per indicatori	Cup	Boîtier	Blinkergehäuse

★ Varianti per 1a serie - Modifications for 1st serie - Variantes pour 1ère série - Umänderungen für 1. Serie

29	14 74 09 20	1	Fanalino posteriore	Tail light	Lanterne AR	Schlusslampe
30	14 74 17 00	1	Coppa per fanal. post.	Tail light body	Boîtier lanterne AR	Schlusslampegehäuse



NOTE NOTES NOTES MARKE	POS. N.	N. COD. CODE No. No. CODE CODE Nr.	Q.tà Q.ty Q.té M.ge	DENOMINAZIONE	DESCRIPTION	DESIGNATION	BEZEICHNUNG
	1	14 49 85 50	6	Tappo gomma dadi es.	Rubber plug for nut 17	Bouchon caout. écrou	17 Gummzapfen f. Mutter 17
	2	14 65 24 50	2	Tappo gomma dadi es.	Rubber plug for nut 14	Bouchon caout. écrou	14 Gummzapfen f. Mutter 14
	3	62 61 68 00	1	Tappo gomma dadi es.	Rubber plug for nut 21	Bouchon caout. écrou	21 Gummzapfen f. Mutter 21
	4	14 76 98 50	1	Specchietto	Driving mirror	Rétrovisueur	Rückblickspegel
	5	14 47 46 51	1	Portatarga	Number plate holder	Porte plaque de police	Nummernschildhalter
	6	14 91 84 51	1	Targhetta sulla pipa tel.	Frame number	Plaque d'identification	Typenschild
	7	45 91 85 70	2	Ribattino fiss. targhetta	Rivet	Rivet	Niet

INDICE NUMERICO

Codice	N. Tav.	N. Pos.	Codice	N. Tav.	N. Pos.	Codice	N. Tav.	N. Pos.	Codice	N. Tav.	N. Pos.	Codice	N. Tav.	N. Pos.
10.03.41.CC	1	34	13.03.72.CC	1	23	14.10.71.CC	10	10	14.43.34.CC	10	34	14.61.33.50	14	07
10.04.58.CC	4	27	13.03.76.CC	1	25	14.10.90.CC	10	11	14.43.34.00	4	34	14.61.41.50	14	19
10.04.58.C1	4	27	13.03.76.CC	1	27	14.11.26.5C	12	01	14.43.35.00	10	31	14.61.52.50	14	00
10.04.58.C2	4	27	13.03.45.C2	4	32	14.11.26.51	2	02	14.43.40.00	10	22	14.61.59.C1	2	23
10.15.87.C1	5	15	13.05.80.CC	4	36	14.11.43.5C	2	04	14.43.44.54	11	12	14.61.59.C1	4	08
10.50.22.5C	11	21	13.05.82.CC	4	37	14.11.44.5C	2	08	14.43.44.55	11	12	14.61.61.50	16	08
10.51.34.C1	12	26	13.06.12.CC	4	22	14.11.50.5C	2	13	14.43.44.56	11	12	14.61.61.50	14	11
10.52.89.CC	7	26	13.08.41.CC	6	01	14.11.50.51	2	14	14.43.87.5C	11	25	14.61.63.50	14	04
10.52.89.CC	12	44	13.10.39.6C	11	04	14.11.55.50	2	15	14.46.13.50	10	42	14.63.02.51	16	
10.52.89.CC	5	24	13.14.64.C2	5	01	14.11.75.50	2	03	14.46.23.50	10	46	14.63.06.51	16	01
12.00.12.00	3	16	13.14.77.C1	5	06	14.12.07.51	2	20	14.46.32.CC	10	43	14.63.22.50	16	02
12.00.37.C2	3	24	13.14.78.CC	5	03	14.12.10.5C	2	22	14.46.36.53	10	42	14.63.40.50	16	15
12.00.37.C2	7	23	13.14.83.CC	5	04	14.12.12.50	2	21	14.44.59.51	10	03	14.63.44.CC	16	04
12.00.37.C2	5	21	13.14.84.CC	5	02	14.12.25.51	2	28	14.44.60.53	10	41	14.63.57.50	16	10
12.00.39.00	3	02	13.21.15.00	6	10	14.12.30.51	2	27	14.46.07.54	11	14	14.65.22.CC	17	52
12.00.64.CC	5	23	13.60.96.6C	10	12	14.12.34.51	2	29 ¹	14.46.07.55	11	14	14.65.24.50	22	02
12.00.64.CC	5	44	13.60.96.6C	15	05	14.12.39.51	2	26	14.46.07.56	11	14	14.65.27.CC	17	05
12.00.65.CC	5	36	13.60.96.6C	11	45	14.12.39.51	2	25	14.46.10.50	11	31	14.65.30.01	17	39
12.00.66.00	5	01	13.93.29.CC	2	48	14.13.35.50	2	07	14.46.15.52	11	13	14.65.30.C1	15	12
12.00.72.CC	5	42	13.93.30.CC	2	41	14.15.22.CC	5	16	14.46.22.50	11	36	14.65.46.01	15	16
12.00.76.CC	5	41	13.93.31.CC	2	52	14.15.30.CC	5	13	14.46.23.50	11	40	14.65.46.01	17	56
12.C1.14.CC	3	30	13.93.44.CC	2	08	14.15.36.C1	5	25	14.46.43.51	10	13	14.65.46.50	17	64
12.C1.14.C1	3	30	13.93.46.CC	2	03	14.15.57.00	5	21	14.47.46.50	15	34	14.65.47.05	15	17
12.C1.14.C2	3	30	13.93.45.CC	2	05	14.15.74.00	5	22	14.47.46.51	22	05	14.65.47.00	17	57
12.C1.14.C3	3	30	13.93.62.CC	2	98	14.15.75.00	5	23	14.47.47.50	15	41	14.65.49.CC	15	04
12.C1.17.CC	3	31	13.93.63.CC	2	57	14.15.82.CC	5	14	14.47.62.51	11	08	14.65.49.00	17	66
12.C1.18.CC	3	29	13.93.66.CC	2	01	14.15.88.00	5	21	14.47.62.52	11	08	14.65.70.50	15	11
12.C1.22.CC	3	10	13.93.67.CC	2	00	14.20.C2.11	7	01	14.47.62.56	11	08	14.65.71.50	15	08
12.C1.89.CC	3	07	13.93.76.CC	2	67	14.20.08.11	7	11	14.47.63.51	11	07	14.65.88.51	17	51
12.C2.17.CC	1	18	13.52.78.CC	2	66	14.20.C1.11C	7	10	14.47.63.52	11	07	14.65.90.00	17	61
12.C2.18.00	1	17	13.93.79.CC	2	71	14.21.05.13	8	14	14.47.63.56	11	07	14.65.91.00	15	00
12.02.26.CC	1	13	14.00.07.CC	3	01	14.21.07.C2	6	05	14.49.02.50	12	01	14.65.91.00	17	00
12.C2.37.CC	1	03	14.CC.14.CC	3	16	14.21.11.10	6	06	14.49.31.00	12	40	14.65.91.CC	15	00
12.C2.37.CC	1	27	14.CC.35.CC	3	22	14.21.12.C1	6	05	14.49.40.50	12	38	14.65.92.05	15	19
12.03.49.CC	1	40	14.CC.36.CC	2	21	14.21.16.00	6	11	14.49.43.CC	12	34	14.65.94.50	17	67
12.03.81.CC	1	29	14.00.38.00	3	23	14.21.20.13	8	17	14.49.46.CC	12	27	14.65.97.50	15	05
12.C5.40.CC	4	29	14.C1.15.CC	3	05	14.21.22.10	8	21	14.49.61.51	12	06	14.66.38.50	15	07
12.06.20.05	4	17	14.C1.19.C1	3	05	14.21.30.C1	8	24	14.49.62.51	12	07	14.70.40.50	10	72
12.06.20.06	4	17	14.C1.19.C2	3	09	14.21.36.12	8	23	14.49.85.50	22	01	14.70.42.05	15	25
12.06.20.07	4	17	14.C1.19.C3	3	05	14.21.38.03	7	04	14.50.15.51	13	15	14.70.45.05	15	35
12.C6.20.08	4	17	14.01.84.CC	1	16	14.21.42.10	8	40	14.50.16.51	12	04	14.70.48.CC	10	37
12.C6.54.CC	4	02	14.C2.08.9C	1	11	14.21.45.10	8	35	14.50.22.50	12	21	14.70.53.50	16	05
12.06.77.C1	4	05	14.C2.20.5C	1	09	14.21.48.10	8	33	14.51.59.01	12	21	14.70.55.00	16	38
12.C8.23.CC	6	04	14.C2.21.5C	1	05	14.21.51.10	8	27	14.51.62.00	12	23	14.70.70.CC	16	36
12.08.28.CC	6	05	14.C2.22.5C	1	04	14.21.52.13	8	29	14.51.66.00	12	24	14.71.54.CC	16	51
12.08.29.C1	6	02	14.C2.35.9C	1	01	14.21.54.00	8	26	14.51.67.CC	12	29	14.71.54.CC	16	50
12.08.70.C1	6	05	14.C2.36.5C	1	02	14.21.73.00	8	28	14.51.70.00	12	30	14.71.57.CC	16	53
12.10.84.CC	5	16	14.03.02.CC	1	30	14.21.74.10	6	24	14.51.71.CC	12	22	14.71.62.00	15	55
12.15.07.CC	5	16	14.03.03.CC	1	31	14.21.79.01	7	06	14.51.89.CC	12	31	14.71.64.CC	16	52
12.15.09.CC	5	16	14.03.65.CC	1	21	14.21.80.11	6	32	14.52.25.50	12	11	14.71.65.CC	16	10
12.15.42.CC	5	27	14.03.61.5C	1	22	14.21.84.01	6	07	14.52.26.50	12	12	14.71.67.CC	10	71
12.15.78.CC	5	35	14.03.73.CC	1	24	14.21.93.10	8	26	14.52.45.CC	12	10	14.71.70.50	16	09
12.15.79.CC	5	36	14.03.80.CC	1	28	14.21.94.01	8	13	14.52.64.07	12	18	14.71.74.CC	16	08
12.15.90.CC	5	15	14.05.33.01	4	26	14.22.05.C1	8	46	14.52.66.CC	12	08	14.71.76.00	16	07
12.20.72.CC	7	16	14.06.02.5C	4	24	14.22.07.10	8	41	14.52.76.01	12	16	14.71.98.00	16	05
12.20.77.CC	7	15	14.06.03.51	4	24	14.22.10.12	8	30	14.52.78.CC	12	17	14.73.05.58	16	40
12.21.17.CC	8	12	14.06.03.52	4	24	14.22.12.C1	8	45	14.52.79.CC	12	14	14.73.05.70	16	46
12.23.53.C1	7	27	14.06.04.9C	4	18	14.22.15.01	8	22	14.53.02.C1	12	37	14.73.07.06	16	44
12.23.94.CC	7	28	14.06.05.51	4	18	14.23.24.00	8	47	14.53.08.00	12	35	14.73.58.CC	16	25
12.32.63.CC	5	28	14.06.05.52	4	18	14.23.25.12	8	31	14.54.70.C1	5	06	14.74.03.01	15	14
12.32.77.CC	5	29	14.06.06.50	4	25	14.23.43.00	8	45	14.54.78.CC	5	04	14.74.04.55	15	15
12.35.11.CC	5	26	14.06.06.51	4	25	14.23.44.05	8	42	14.57.53.51	20	01	14.74.04.56	15	00
12.35.52.02	9	16	14.06.06.52	4	24	14.23.46.CC	8	46	14.57.54.51	20	01	14.74.05.57	15	12
12.35.52.03	9	37	14.06.15.9C	4	13	14.23.55.CC	8	43	14.57.55.56	20	01	14.74.04.55	15	05
12.35.53.01	9	37	14.06.22.C1	4	16	14.24.62.C2	7	14	14.57.55.51	20	02	14.74.04.60	15	06
12.35.53.02	9	37	14.06.42.03	4	01	14.24.78.CC	7	15	14.57.55.52	20	02	14.74.04.60	21	06
12.35.53.03	9	37	14.06.47.C5	4	07	14.23.82.01	8	51	14.57.55.56	20	02	14.74.04.60	21	05
12.35.63.CC	9	48	14.07.20.C1	4	04	14.25.10.01	8	62	14.57.72.5C	20	04	14.74.04.81	21	04
12.35.64.CC	9	49	14.C8.18.11	8	03	14.25.10.01	17	03	14.57.78.5C	20	06	14.74.04.82	21	15
12.35.67.CC	5	31	14.C8.44.5C	6	03	14.25.82.00	8	54	14.57.79.5C	20	12	14.74.05.50	15	01
12.43.40.C1	10	30	14.C8.57.CC	6	06	14.33.52.C3	16	15	14.57.79.51	20	12 ⁻¹	14.74.05.80	21	01
12.54.72.CC	5	05	14.C8.59.CC	6	07	14.33.53.50	16	14	14.57.86.51	20	10	14.74.09.20	21	29
12.54.82.C1	5	11	14.C8.60.CC	6	08	14.33.56.50	16	13	14.57.87.51	20	11	14.74.12.50	15	71
12.54.84.C1	5	10	14.C8.61.CC	6	10	14.33.68.03	16	16	14.57.88.51	20	13	14.74.14.50	15	70
12.54.84.C1	2	05	14.05.C2.C2	6	12	14.40.01.50	10	01	14.57.89.5C	20	03	14.74.17.00	21	30
12.55.52.C1	5	15	14.05.04.CC	6	14	14.41.82.50	10	25	14.60.C6.52	13	01	14.74.37.CC	15	52
12.62.68.CC	6	59	14.09.30.C1	6	16	14.42.38.CC	10	35	14.60.C7.52	13	02	14.74.71.51	15	57
12.70.85.11	19	47	14.10.02.51	11	01	14.42.45.CC	5	45	14.60.30.C1	13	07	14.74.72.51	13	27
12.71.76.CC	5	24	14.10.02.52	11	01	14.42.45.00	5	45	14.60.34.50	13	08	14.74.73.50	15	15
12.73.25.CC	18	42	14.10.02.54	11	01	14.42.96.00	10	55	1					

INDICE NUMERICO

Codice	N. Tav.	N. Pos.	Codice		Codice		Codice		Codice		Codice			
			N. Tav.	N. Pos.	N. Tav.	N. Pos.	N. Tav.	N. Pos.	N. Tav.	N. Pos.	N. Tav.	N. Pos.		
14.75.13.51	20	15	17.06.09.C2	4	20	17.74.03.10	15	19	61.93.45.CC	2	49	92.60.22.C8	2	24
14.75.16.60	21	22	17.06.10.00	4	21	17.74.03.21	21	10	62.43.65.C0	17	35	92.60.22.C8	15	53
14.75.16.81	21	23	17.06.10.C1	4	21	17.74.03.22	21	11	62.61.68.C0	22	03	92.60.22.C8	12	61
14.75.25.50	13	18	17.06.10.C2	4	21	17.74.03.25	21	15	63.65.70.C0	17	32	92.60.22.C8	17	25
14.75.37.50	20	23	17.06.09.C0	4	10	17.74.03.26	21	17	65.74.09.C0	17	25	92.60.22.C8	18	50
14.75.37.8C	21	28	17.09.38.50	6	15	17.74.03.28	21	09	65.74.17.C0	15	27	92.60.22.C8	26	29
14.75.61.51	19	60	17.10.54.60	11	05	17.74.03.29	21	13	90.11.81.52	1	36	92.60.22.C8	12	54
14.75.62.51	15	64	17.10.54.61	11	05	17.74.04.C1	21	03	90.27.10.14	12	15	92.60.22.10	12	46
14.75.85.50	20	25	17.13.31.61	2	06	17.74.04.C1	21	16	90.27.10.2C	5	30	92.60.22.10	10	36
14.75.89.50	15	62	17.13.56.50	1	42	17.74.04.04	19	04	90.27.10.55	16	18	92.60.23.0E	5	07
14.75.90.50	15	61	17.15.05.51	5	46	17.74.04.05	19	18	90.27.20.62	5	13	92.60.23.12	10	52
14.76.04.50	13	31	17.15.96.00	5	28	17.74.04.20	21	02	90.35.10.C7	4	23	92.60.23.16	16	03
14.76.15.50	13	26	17.15.97.00	5	25	17.74.04.24	21	08	90.35.30.16	1	08	92.60.24.11	26	24
14.76.25.10	13	28	17.25.09.60	6	63	17.74.04.25	21	12	90.40.28.39	2	17	92.60.25.08	6	15
14.76.61.10	13	30	17.25.20.50	6	64	17.74.04.26	21	14	90.40.30.4C	5	07	92.60.25.12	10	51
14.76.72.50	13	32	17.25.20.50	7	02	17.74.09.00	15	67	90.40.35.47	7	22	92.60.25.17	7	15
14.76.81.50	13	34	17.25.23.50	17	06	17.74.17.01	19	68	90.40.35.47	12	13	92.60.25.16	14	02
14.76.86.51	13	37	17.25.23.50	8	67	17.74.25.50	19	46	90.40.35.47	1	31	92.60.25.18	4	35
14.76.69.55	13	36	17.25.27.50	6	66	17.74.30.00	19	44	90.40.38.5C	9	25	92.63.01.05	15	39
14.76.92.00	13	33	17.25.27.50	17	05	17.74.31.00	19	45	90.40.53.67	3	32	92.63.01.06	15	49
14.76.98.50	22	04	17.25.78.00	8	61	17.74.85.00	18	34	90.40.70.85	5	45	92.63.01.06	17	50
14.90.00.50	18	62	17.32.80.50	9	12	17.75.04.00	10	15	90.70.60.35	20	07	92.63.01.06	18	16
14.90.00.51	18	62	17.35.02.50	5	16	17.75.05.20	19	50	90.70.60.90	1	12	92.63.01.06	11	30
14.90.00.52	18	62	17.35.03.00	9	17	17.75.11.00	13	17	90.70.61.4C	7	12	92.63.01.06	12	20
14.90.00.53	18	62	17.35.04.00	5	41	17.75.12.00	19	51	90.70.61.7C	6	11	92.63.01.06	13	25
14.91.73.00	11	02	17.35.07.00	5	42	17.76.06.50	13	42	90.70.62.03	8	06	92.63.01.06	13	03
14.91.84.51	22	06	17.35.14.00	5	46	17.76.16.20	21	27	90.70.62.03	1	14	92.63.01.06	10	68
14.92.20.00	11	09	17.35.46.50	5	47	17.76.21.50	13	43	90.70.62.19	8	68	92.63.01.08	11	26
14.92.33.50	11	44	17.35.54.00	5	43	17.76.22.00	13	35	90.70.62.35	6	04	92.63.01.08	11	26
14.93.10.50	2	90	17.35.54.02	5	43	17.76.87.50	5	22	90.70.62.36	12	03	92.63.05.08	16	07
14.93.12.50	2	93	17.35.54.04	5	43	17.91.64.21	21	24	90.70.64.50	16	17	92.63.05.08	14	05
14.93.13.50	2	94	17.35.54.06	5	43	17.92.09.60	21	26	90.70.65.64	5	34	92.70.00.73	17	15
14.93.15.50	2	96	17.35.54.08	5	43	17.92.99.00	16	61	90.71.41.03	11	06	92.70.11.2C	17	04
14.93.16.50	2	99	17.35.54.10	9	43	17.93.74.50	2	65	90.71.60.57	19	37	92.70.11.2C	8	65
14.93.18.50	2	91	17.42.03.50	10	37	17.99.95.50	3	34	90.71.60.67	15	38	92.73.10.50	4	15
14.93.23.50	2	75	17.42.21.50	10	38	18.00.11.50	3	13	90.71.61.42	17	36	93.11.00.6C	18	21
14.93.31.50	2	42	17.42.40.50	10	63	18.21.10.50	6	15	90.71.83.7C	2	25	93.11.00.6C	11	27
14.93.34.50	2	46	17.42.48.50	10	62	18.21.10.51	6	15	91.11.15.11	1	32	93.11.00.6C	19	76
14.93.35.50	2	45	17.46.25.70	11	37	18.21.10.52	6	15	91.11.21.22	4	14	93.11.00.6C	20	16
14.93.36.50	2	47	17.47.85.50	10	69	18.21.10.54	8	15	91.18.C7.18	18	14	93.18.00.8C	10	05
14.93.46.50	2	58	17.47.96.50	10	23	18.35.24.00	5	33	91.18.07.21	12	22	93.18.02.20	7	22
14.93.47.50	2	51	17.47.97.50	10	24	18.35.51.00	5	35	91.18.08.05	11	42	93.18.02.20	18	39
14.93.48.50	2	52	17.49.27.00	12	05	18.52.65.60	12	15	91.18.08.10	10	08	93.30.11.75	11	20
14.93.49.50	2	53	17.55.02.60	12	05	18.54.02.00	5	01	91.18.09.07	18	58	93.30.11.75	10	66
14.93.50.50	2	37	17.55.46.00	12	40	18.54.02.00	5	01	91.18.09.15	7	08	93.30.11.75	15	75
14.93.51.50	2	54	17.60.48.50	15	09	18.64.46.50	12	51	91.18.09.22	11	32	93.30.13.13	10	87
14.93.53.50	2	55	17.63.33.50	16	06	18.62.58.60	17	42	91.18.10.16	12	60	93.30.13.13	17	15
14.93.54.50	2	56	17.63.41.50	16	05	18.65.85.60	17	28	91.55.16.62	11	10	93.40.08.63	15	66
14.93.55.50	2	35	17.65.75.50	17	34	18.65.97.50	17	68	91.55.11.20	17	48	93.45.01.19	15	20
14.93.57.51	2	36	17.65.86.50	17	38	18.66.70.50	17	26	91.55.11.20	15	06	93.45.01.25	20	22
14.93.58.50	2	61	17.65.87.50	17	43	18.66.74.50	17	27	91.55.11.31	11	46	93.45.01.40	13	38
14.93.59.50	2	58	17.65.92.60	17	59	18.73.50.40	13	10	91.70.23.55	4	03	93.45.02.23	19	26
14.93.60.50	2	28	17.65.93.50	17	58	18.74.60.40	13	15	92.20.10.7C	5	44	93.45.02.24	15	69
14.93.61.50	2	39	17.65.93.52	15	18	18.75.03.40	13	16	92.20.14.17	7	13	93.45.02.31	19	17
14.93.62.50	2	64	17.65.94.50	15	03	18.75.95.50	13	35	92.20.42.2C	16	20	93.60.10.22	8	01
14.93.64.50	2	84	17.65.96.50	17	44	19.00.16.00	3	20	92.20.42.21	14	08	93.60.10.26	4	06
14.93.65.50	2	85	17.65.97.50	17	47	19.70.71.00	18	05	92.20.42.30	5	14	94.32.10.51	8	19
14.93.66.50	2	86	17.65.98.50	17	62	19.71.70.03	18	69	92.21.84.24	7	07	94.32.10.67	7	29
14.93.68.50	2	88	17.66.02.53	15	01	19.73.33.50	16	66	92.23.47.17	7	08	94.32.10.72	5	17
14.93.69.50	2	87	17.66.11.52	15	21	19.74.09.00	15	24	92.24.92.16	5	08	94.32.11.05	6	13
14.93.71.50	2	82	17.66.13.50	15	23	19.85.61.00	15	10	92.24.92.25	12	26	93.30.23.15	10	87
14.93.75.50	2	33	17.66.75.51	17	21	25.65.61.00	17	30	92.24.92.27	2	32	95.00.02.04	20	08
14.93.77.50	2	34	17.66.76.51	17	22	25.70.67.00	18	41	92.25.10.22	6	25	95.00.02.05	15	43
14.93.79.50	2	64	17.66.80.50	17	31	39.46.16.00	10	64	92.25.10.30	6	20	95.00.02.05	18	32
14.93.80.50	2	65	17.67.50.51	17	12	39.66.38.01	13	11	92.25.22.1C	5	05	95.00.02.06	18	15
14.93.81.50	2	70	17.67.51.51	17	13	43.06.38.10	6	25	92.25.43.40	5	27	95.00.02.06	12	33
14.93.83.50	2	74	17.67.70.60	17	01	45.91.85.7C	22	07	92.25.62.1E	7	03	95.00.02.06	11	28
14.93.84.50	2	75	17.70.38.00	18	17	45.91.85.70	21	25	92.25.85.25	8	16	95.00.02.06	15	48
14.93.85.50	2	77	17.70.43.00	18	28	49.60.96.61	15	62	92.25.90.17	8	28	95.00.02.06	13	20
14.93.86.50	2	76	17.70.95.50	10	70	49.93.87.00	2	62	92.29.57.02	6	37	95.00.02.06	17	19
14.92.90.50	2	39	17.71.24.00	18	01	49.93.88.00	2	63	92.29.67.50	8	18	95.00.02.06	20	15
14.93.91.50	2	40	17.71.70.50	18	05	55.23.47.00	7	30	92.60.12.06	10	44	95.00.02.06	20	18
14.93.93.50	2	10	17.71.84.50	18	06	55.23.50.00	8	30	92.60.20.04	20	09	95.00.02.06	11	16
14.99.10.50	3	1	17.71.99.00	18	04	55.23.50.01	6	44	92.60.20.10	1	20	95.00.02.06	2	19
14.99.14.50	3	2	17.73.53.50	18	22	55.23.50.02	6	44	92.60.22.05	11	35	95.00.02.06	10	59
14.99.90.50	3	33	17.73.54.50	16	24	55.23.50.03	6	44	92.60.22.05	18	33	95.00.02.06	10	16
17.00.49.51	3	28	17.73.64.50	18	23	55.43.65.25	11	45	92.60.22.06	17	07	95.00.02.06	7	06
17.00.62.50	3	27	17.74.03.00	19	08	55.44.33.85	10	47	92.60.22.06	18	27	95.00.02.06	8	26
17.02.02.00	1	10	17.74.03.03	19	11	61.10.84.00	2	12	92.60.22.06	11	50	95.00.02.06	15	55
17.03.40.50	1	33	17.74.03.05	1										

