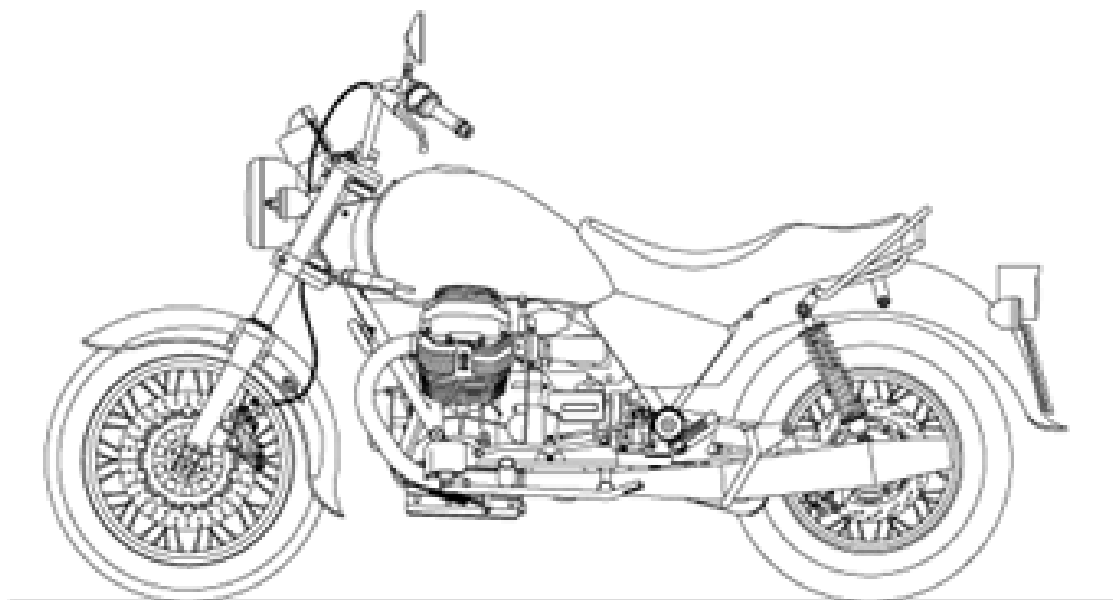




PIAGGIO & C.s.p.a.



SPARE PARTS CATALOGUE



California Black Eagle 1100 2009-2011

Chassis prefix: ZGUKDM00, ZGUKDU00

Engine prefix:

CALIFORNIA

GU097



Index

| | |
|---|----|
| Finished products..... | 4 |
| Alphanumeric index..... | 5 |
| FRAME..... | 11 |
| Table 33.01 - Frame..... | 11 |
| Table 33.02 - Craddle arm-Foot rests..... | 13 |
| Table 33.03 - Gear lever..... | 15 |
| Table 33.04 - Stands..... | 16 |
| Table 33.05 - Fuel tank..... | 18 |
| Table 33.06 - Saddle-Central bod..... | 20 |
| Table 33.07 - Front mudguard..... | 21 |
| Table 33.08 - Rear mudguard..... | 22 |
| Table 33.09 - F.fork-R.shock absorber..... | 23 |
| Table 33.10 - Front fork..... | 24 |
| Table 33.11 - Transmission complete I..... | 27 |
| Table 33.12 - Transmission complete II..... | 28 |
| Table 33.13 - Fuel supply..... | 30 |
| Table 33.14 - Fuel pump..... | 31 |
| Table 33.15 - Air box..... | 32 |
| Table 33.16 - Exhaust unit..... | 33 |
| Table 33.17 - Front wheel..... | 34 |
| Table 33.18 - Rear wheel..... | 35 |
| Table 33.19 - RH Front brake system..... | 37 |
| Table 33.20 - LH Front brake system..... | 38 |
| Table 33.21 - Rear brake caliper..... | 39 |
| Table 33.22 - Rear master cylinder..... | 40 |
| Table 33.23 - Handlebar - Controls..... | 42 |
| Table 33.24 - Dashboard..... | 43 |
| Table 33.25 - Front lights..... | 45 |
| Table 33.26 - Rear lights..... | 46 |
| Table 33.27 - Electrical systeme..... | 47 |
| Table 33.28 - Electrical system..... | 49 |
| Table 33.29 - Lock hardware kit..... | 51 |
| Table 33.30 - Plate set-decal-op.handbooks..... | 52 |
| Table 33.45 - Fuel vapour recover system..... | 53 |
| ENGINE..... | 54 |
| Table 34.31 - Crank-case..... | 54 |
| Table 34.32 - Heads..... | 56 |
| Table 34.33 - Crankshaft - Piston..... | 58 |
| Table 34.34 - Timing system..... | 59 |
| Table 34.35 - Oil pump..... | 60 |
| Table 34.36 - Oil filters..... | 61 |
| Table 34.37 - Clutch..... | 62 |
| Table 34.38 - Transmission cage..... | 63 |



| | |
|--|----|
| Table 34.39 - Primary gear shaft..... | 65 |
| Table 34.40 - Driven shaft..... | 66 |
| Table 34.41 - Generator - Regulator..... | 68 |
| Table 34.42 - Starter motor..... | 69 |
| Table 34.43 - Starter motor cover..... | 70 |
| Table 34.44 - Throttle body..... | 71 |
| SPECIAL TOOLS..... | 72 |
| Table 36.45 - Special tools..... | 72 |



CALIFORNIA
GU097 - California Black Eagle 1100 2009-2011

Chassis prefix: ZGUKDM00, ZGUKDU00
Engine prefix:

Finished products

| Code | Validity |
|---------------------|----------|
| no finished product | |



| Code | No. table | Pos. | Code | No. table | Pos. | Code | No. table | Pos. |
|------------|-----------|------|-----------|-----------|------|---------------|-----------|------|
| 0000000 | 34.42 | 5 | 976188 | 34.33 | 17 | AP8102764 | 34.35 | 23 |
| 0000000 | 34.42 | 6 | 976196 | 34.33 | 1 | AP8104614 | 33.45 | 4 |
| 0000000 | 34.42 | 7 | 976448 | 34.35 | 6 | AP8104666 | 33.45 | 8 |
| 0000000 | 34.42 | 8 | 976450 | 34.31 | 15 | AP8113627 | 33.21 | 2 |
| 163015 | 33.25 | 7 | 9764511 | 34.31 | 26 | AP8113999 | 33.21 | 10 |
| 164634 | 33.24 | 34 | 976532 | 34.39 | 16 | AP8120405 | 34.44 | 15 |
| 224202 | 34.32 | 37 | 976688 | 34.35 | 17 | AP8120870 | 33.16 | 24 |
| 277916 | 34.35 | 2 | 976914 | 33.12 | 1 | AP8121420 | 33.29 | 8 |
| 290860 | 33.28 | 22 | 976959 | 34.31 | 39 | AP8124235 | 33.28 | 30 |
| 292022 | 33.26 | 4 | 977004 | 33.09 | 1 | AP8124768 | 33.28 | 24 |
| 292723 | 33.25 | 5 | 977016 | 33.26 | 5 | AP8127139 | 33.26 | 2 |
| 294131 | 33.24 | 8 | 977024 | 33.17 | 7 | AP8133502 | 33.21 | 3 |
| 56122R | 33.22 | 17 | 977026 | 33.24 | 2 | AP8133594 | 33.20 | 7 |
| 640585 | 33.24 | 26 | 977034 | 33.17 | 16 | AP8133594 | 33.21 | 8 |
| 825597 | 34.32 | 38 | 977044 | 34.32 | 41 | AP8134618 | 33.29 | 9 |
| 825597 | 34.33 | 15 | 977045 | 34.32 | 42 | AP8144222 | 33.10 | 6 |
| 849131 | 34.33 | 14 | 977153 | 33.17 | 9 | AP8144487 | 33.16 | 26 |
| 856062 | 33.45 | 6 | 977157 | 33.28 | 1 | AP8144538 | 33.28 | 38 |
| 856063 | 33.45 | 5 | 977163 | 33.01 | 13 | AP8152273 | 33.13 | 2 |
| 856064 | 33.13 | 6 | 977164 | 33.09 | 15 | AP8152274 | 34.44 | 20 |
| 883113 | 33.06 | 1 | 977167 | 33.12 | 2 | AP8152277 | 33.09 | 14 |
| 883122 | 33.02 | 15 | 977168 | 33.19 | 16 | AP8152280 | 34.31 | 16 |
| 883123 | 33.02 | 17 | 977169 | 33.20 | 1 | AP8152282 | 34.31 | 17 |
| 883155 | 33.09 | 22 | 977170 | 33.26 | 1 | AP8152282 | 34.41 | 12 |
| 883157 | 33.09 | 23 | 977171 | 33.21 | 1 | AP8152286 | 33.17 | 8 |
| 88317300NG | 33.08 | 1 | 977180 | 34.44 | 18 | AP8152299 | 33.01 | 19 |
| 883463 | 33.25 | 20 | 977181 | 34.44 | 19 | AP8163095 | 33.10 | 36 |
| 883780 | 33.30 | 9 | 977185 | 33.26 | 9 | AP8201358 | 33.45 | 3 |
| 883802 | 33.23 | 23 | 977186 | 33.26 | 6 | AP8201808 | 33.21 | 13 |
| 883920 | 33.30 | 10 | 977192 | 33.06 | 13 | AP8202238 | 33.21 | 12 |
| 883921 | 33.30 | 11 | 977200 | 33.01 | 1 | AP8212588 | 33.28 | 35 |
| 883922 | 33.30 | 12 | 977235 | 33.27 | 2 | AP8221128 | 33.26 | 13 |
| 883933 | 33.30 | 13 | 977255 | 33.23 | 5 | GU00823931055 | 33.02 | 14 |
| 886141 | 33.30 | 5 | 977291 | 33.30 | 7 | GU00823931055 | 33.05 | 22 |
| 886142 | 33.30 | 2 | 977367 | 33.21 | 7 | GU00823931055 | 34.43 | 3 |
| 886143 | 33.30 | 3 | 977369 | 33.20 | 16 | GU00823931070 | 33.05 | 2 |
| 886144 | 33.30 | 4 | 977372 | 33.22 | 10 | GU00823931080 | 33.01 | 17 |
| 88615300NG | 33.05 | 1 | 977376 | 33.16 | 11 | GU00823944050 | 33.05 | 24 |
| 886172 | 33.30 | 1 | 977384 | 33.01 | 29 | GU00823944050 | 33.15 | 17 |
| 88618700NG | 33.07 | 1 | 977387 | 33.28 | 29 | GU00823950050 | 33.22 | 11 |
| 88618800NG | 33.06 | 2 | 977388 | 33.27 | 41 | GU00823952080 | 33.13 | 6 |
| 88618900NG | 33.06 | 6 | 977389 | 33.29 | 1 | GU00823956080 | 33.15 | 12 |
| 88666100NG | 33.05 | 1 | 977398 | 33.09 | 7 | GU00823956080 | 34.35 | 22 |
| 969973 | 34.32 | 45 | 977423 | 33.28 | 31 | GU00823956080 | 34.38 | 28 |
| 976003 | 34.33 | 13 | 977425 | 33.24 | 2 | GU01038060 | 34.32 | 13 |
| 976026 | 34.44 | 8 | 977440 | 33.28 | 3 | GU01038160 | 34.32 | 14 |
| 976031 | 34.33 | 12 | 977468 | 33.22 | 4 | GU01051730 | 34.34 | 8 |
| 976049 | 34.44 | 9 | 977476 | 34.44 | 16 | GU01054001 | 34.34 | 5 |
| 976064 | 34.33 | 9 | 977527 | 33.29 | 4 | GU01106090 | 33.14 | 2 |
| 976066 | 33.16 | 1 | 977528 | 33.24 | 6 | GU01106692 | 33.13 | 4 |
| 976067 | 33.16 | 2 | 977528 | 33.29 | 2 | GU01107490 | 33.14 | 4 |
| 976068 | 34.32 | 44 | 977532 | 33.04 | 4 | GU01108490 | 33.14 | 5 |
| 976079 | 34.32 | 1 | 977533 | 33.04 | 5 | GU01116031 | 33.45 | 1 |
| 976080 | 34.32 | 2 | 977617 | 33.26 | 18 | GU01121030 | 33.16 | 5 |
| 976087 | 34.32 | 20 | 977779 | 33.16 | 25 | GU01517700 | 33.09 | 19 |
| 976107 | 34.32 | 28 | 978168 | 33.29 | 1 | GU01517700 | 34.43 | 2 |
| 976109 | 34.31 | 1 | 978169 | 33.45 | 2 | GU01528930 | 33.12 | 9 |
| 976134 | 34.35 | 1 | 978312 | 33.15 | 1 | GU01528930 | 34.38 | 26 |
| 976139 | 34.32 | 8 | 978570 | 33.23 | 23 | GU01530500 | 34.44 | 3 |
| 976144 | 34.32 | 3 | 978679 | 34.32 | 39 | GU01530504 | 34.44 | 2 |
| 976152 | 34.32 | 22 | 978680 | 34.31 | 21 | GU01609630 | 33.23 | 11 |
| 976153 | 34.32 | 36 | 978681 | 34.32 | 40 | GU01635700 | 33.18 | 9 |
| 976165 | 34.35 | 3 | 978826 | 33.13 | 1 | GU01654630 | 33.19 | 19 |
| 976168 | 34.35 | 15 | 978826 | 33.14 | 1 | GU01654630 | 33.20 | 17 |
| 976171 | 34.33 | 16 | 981115 | 34.36 | 14 | GU01659130 | 33.19 | 21 |
| 976172 | 34.33 | 16 | AP8101595 | 33.22 | 13 | GU01659130 | 33.20 | 6 |
| 976181 | 34.32 | 10 | AP8102377 | 33.45 | 7 | GU01659131 | 33.19 | 22 |



| Code | No. table | Pos. | Code | No. table | Pos. | Code | No. table | Pos. |
|------------|-----------|------|------------|-----------|------|---------------|-----------|------|
| GU01659131 | 33.20 | 4 | GU03211160 | 34.39 | 8 | GU03522501001 | 33.10 | 39 |
| GU01721600 | 33.27 | 16 | GU03211260 | 34.39 | 9 | GU03522601001 | 33.10 | 43 |
| GU01722700 | 33.27 | 20 | GU03211660 | 34.39 | 11 | GU03525400 | 33.10 | 19 |
| GU01722701 | 33.27 | 20 | GU03212000 | 34.39 | 17 | GU03526600 | 33.10 | 18 |
| GU01722702 | 33.27 | 20 | GU03214500 | 34.40 | 13 | GU03526601 | 33.10 | 58 |
| GU01722703 | 33.27 | 20 | GU03214800 | 34.40 | 11 | GU03530504 | 33.10 | 12 |
| GU01722704 | 33.27 | 20 | GU03215100 | 34.40 | 5 | GU03530505 | 33.10 | 13 |
| GU01722705 | 33.27 | 20 | GU03234400 | 34.40 | 20 | GU03530506 | 33.10 | 14 |
| GU01731760 | 33.28 | 21 | GU03236250 | 34.40 | 32 | GU03530507 | 33.10 | 15 |
| GU01732530 | 33.27 | 3 | GU03250870 | 33.03 | 1 | GU03530508 | 33.10 | 16 |
| GU01732560 | 33.28 | 21 | GU03256800 | 33.03 | 11 | GU03530509 | 33.10 | 17 |
| GU01743790 | 33.25 | 19 | GU03257602 | 33.03 | 9 | GU03530510 | 33.10 | 20 |
| GU01744200 | 33.25 | 24 | GU03257801 | 33.03 | 20 | GU03530511 | 33.10 | 21 |
| GU01756100 | 33.25 | 3 | GU03258250 | 33.03 | 21 | GU03530512 | 33.10 | 22 |
| GU01756220 | 33.25 | 6 | GU03259100 | 33.03 | 7 | GU03530513 | 33.10 | 23 |
| GU01766031 | 33.24 | 18 | GU03259100 | 33.22 | 26 | GU03530514 | 33.10 | 24 |
| GU02517700 | 34.31 | 18 | GU03270300 | 33.01 | 8 | GU03530515 | 33.10 | 25 |
| GU02746900 | 33.25 | 2 | GU03270300 | 33.02 | 25 | GU03530516 | 33.10 | 26 |
| GU02747901 | 33.28 | 34 | GU03270300 | 33.03 | 22 | GU03530517 | 33.10 | 27 |
| GU02762301 | 33.24 | 13 | GU03270300 | 33.04 | 30 | GU03530518 | 33.10 | 28 |
| GU02766300 | 33.24 | 31 | GU03270300 | 33.16 | 19 | GU03530519 | 33.10 | 29 |
| GU02768200 | 33.24 | 28 | GU03270300 | 33.22 | 25 | GU03530520 | 33.10 | 30 |
| GU02768400 | 33.24 | 29 | GU03328050 | 33.11 | 12 | GU03530521 | 33.10 | 31 |
| GU02768600 | 33.24 | 7 | GU03336811 | 33.18 | 12 | GU03530522 | 33.10 | 32 |
| GU03007260 | 34.35 | 21 | GU03351450 | 33.12 | 28 | GU03530523 | 33.10 | 33 |
| GU03013800 | 33.01 | 18 | GU03420300 | 33.02 | 1 | GU03530524 | 33.10 | 34 |
| GU03013800 | 33.02 | 22 | GU03422100 | 33.02 | 2 | GU03530525 | 33.10 | 35 |
| GU03013800 | 33.03 | 8 | GU03429500 | 33.02 | 12 | GU03530527 | 33.10 | 37 |
| GU03013800 | 33.04 | 2 | GU03429600 | 33.04 | 12 | GU03530528 | 33.10 | 38 |
| GU03013800 | 33.09 | 26 | GU03430311 | 33.04 | 1 | GU03530529 | 33.10 | 41 |
| GU03013800 | 33.15 | 7 | GU03432070 | 33.04 | 3 | GU03530530 | 33.10 | 42 |
| GU03013800 | 33.18 | 17 | GU03432740 | 33.04 | 22 | GU03530531 | 33.10 | 44 |
| GU03013800 | 33.20 | 13 | GU03433400 | 33.04 | 9 | GU03530532 | 33.10 | 45 |
| GU03013800 | 33.22 | 29 | GU03433470 | 33.04 | 21 | GU03530533 | 33.10 | 46 |
| GU03013800 | 33.27 | 39 | GU03433850 | 33.04 | 25 | GU03530534 | 33.10 | 47 |
| GU03013800 | 33.28 | 7 | GU03434011 | 33.04 | 6 | GU03530535 | 33.10 | 48 |
| GU03067030 | 34.33 | 19 | GU03434070 | 33.04 | 18 | GU03530536 | 33.10 | 48 |
| GU03093070 | 33.23 | 21 | GU03435550 | 33.08 | 5 | GU03530537 | 33.10 | 48 |
| GU03100270 | 33.05 | 1 | GU03436300 | 33.07 | 10 | GU03530538 | 33.10 | 49 |
| GU03101600 | 33.05 | 8 | GU03436300 | 34.43 | 6 | GU03530539 | 33.10 | 50 |
| GU03101720 | 33.05 | 9 | GU03436400 | 33.07 | 8 | GU03530540 | 33.10 | 51 |
| GU03101900 | 33.05 | 4 | GU03436500 | 33.07 | 9 | GU03540255 | 33.11 | 1 |
| GU03102200 | 33.05 | 7 | GU03436645 | 33.07 | 2 | GU03547060 | 33.11 | 6 |
| GU03102400 | 33.05 | 6 | GU03442200 | 33.02 | 24 | GU03547800 | 33.11 | 4 |
| GU03103070 | 33.14 | 3 | GU03443555 | 33.02 | 9 | GU03555250 | 33.09 | 16 |
| GU03103200 | 33.05 | 10 | GU03446900 | 33.02 | 3 | GU03555250 | 33.12 | 21 |
| GU03103500 | 33.05 | 5 | GU03447070 | 33.02 | 8 | GU03600360 | 33.23 | 1 |
| GU03103970 | 33.05 | 3 | GU03447410 | 33.02 | 4 | GU03602760 | 33.23 | 25 |
| GU03103970 | 33.29 | 3 | GU03461147 | 33.06 | 8 | GU03603060 | 33.23 | 10 |
| GU03104370 | 33.05 | 23 | GU03462345 | 33.01 | 24 | GU03603560 | 33.23 | 4 |
| GU03106170 | 33.14 | 6 | GU03462801 | 33.05 | 19 | GU03603860 | 33.23 | 2 |
| GU03112560 | 34.44 | 1 | GU03467347 | 33.06 | 7 | GU03604245 | 33.23 | 9 |
| GU03114370 | 34.44 | 7 | GU03469200 | 33.01 | 3 | GU03604845 | 33.19 | 5 |
| GU03117545 | 33.23 | 6 | GU03472460 | 33.05 | 16 | GU03605545 | 33.23 | 16 |
| GU03121230 | 33.16 | 16 | GU03472960 | 33.05 | 17 | GU03605645 | 33.19 | 2 |
| GU03121955 | 33.16 | 22 | GU03476206 | 33.06 | 2 | GU03610340 | 33.17 | 1 |
| GU03122965 | 33.16 | 15 | GU03476306 | 33.06 | 6 | GU03610840 | 33.17 | 12 |
| GU03123065 | 33.16 | 10 | GU03479545 | 33.01 | 20 | GU03611640 | 33.17 | 5 |
| GU03123470 | 33.16 | 9 | GU03490611 | 33.10 | 52 | GU03611750 | 33.17 | 6 |
| GU03123471 | 33.16 | 17 | GU03490711 | 33.10 | 53 | GU03620340 | 33.17 | 14 |
| GU03123955 | 33.16 | 8 | GU03493145 | 33.10 | 7 | GU03630650 | 33.18 | 1 |
| GU03132845 | 33.23 | 14 | GU03494045 | 33.10 | 11 | GU03630740 | 33.18 | 26 |
| GU03157460 | 34.35 | 19 | GU03496150 | 33.25 | 8 | GU03631250 | 33.18 | 8 |
| GU03158200 | 34.36 | 6 | GU03496250 | 33.25 | 11 | GU03632440 | 33.18 | 22 |
| GU03163330 | 33.27 | 35 | GU03498100 | 33.10 | 8 | GU03633370 | 33.18 | 11 |
| GU03200255 | 34.38 | 1 | GU03500245 | 33.10 | 4 | GU03634150 | 33.18 | 19 |
| GU03200855 | 34.38 | 11 | GU03500645 | 33.10 | 2 | GU03634850 | 33.21 | 11 |



| Code | No. table | Pos. | Code | No. table | Pos. | Code | No. table | Pos. |
|------------|-----------|------|------------|-----------|------|------------|-----------|------|
| GU03635851 | 33.21 | 6 | GU05084430 | 34.37 | 3 | GU14201110 | 34.38 | 10 |
| GU03657101 | 33.19 | 13 | GU05153630 | 34.35 | 10 | GU14204955 | 34.38 | 27 |
| GU03658201 | 33.19 | 15 | GU05659230 | 33.19 | 20 | GU14210513 | 34.39 | 14 |
| GU03658201 | 33.20 | 9 | GU05659230 | 33.20 | 5 | GU14210702 | 34.39 | 5 |
| GU03658330 | 33.20 | 8 | GU05716530 | 33.27 | 21 | GU14212210 | 34.39 | 21 |
| GU03658430 | 33.19 | 14 | GU05717030 | 33.27 | 40 | GU14213001 | 34.40 | 12 |
| GU03658500 | 33.22 | 14 | GU06717400 | 33.27 | 38 | GU14213612 | 34.40 | 1 |
| GU03659700 | 33.19 | 6 | GU10032700 | 34.32 | 32 | GU14213803 | 34.38 | 4 |
| GU03660145 | 33.19 | 1 | GU10034100 | 34.32 | 17 | GU14215213 | 34.40 | 17 |
| GU03661145 | 33.19 | 10 | GU10907200 | 36.45 | 6 | GU14215400 | 34.40 | 4 |
| GU03664045 | 33.19 | 3 | GU12003702 | 34.31 | 29 | GU14217300 | 34.40 | 16 |
| GU03669000 | 33.23 | 12 | GU12003900 | 34.31 | 2 | GU14217410 | 34.40 | 2 |
| GU03669001 | 33.23 | 26 | GU12006400 | 34.35 | 16 | GU14217901 | 33.09 | 13 |
| GU03675170 | 33.22 | 34 | GU12011400 | 34.31 | 37 | GU14217901 | 33.22 | 3 |
| GU03675900 | 33.22 | 21 | GU12011401 | 34.31 | 37 | GU14217901 | 34.38 | 6 |
| GU03704571 | 33.28 | 18 | GU12011402 | 34.31 | 37 | GU14217901 | 34.44 | 11 |
| GU03707140 | 33.28 | 9 | GU12011403 | 34.31 | 37 | GU14218011 | 34.40 | 10 |
| GU03716770 | 33.27 | 22 | GU12011700 | 34.31 | 38 | GU14218401 | 34.39 | 7 |
| GU03717450 | 33.27 | 14 | GU12012200 | 34.31 | 11 | GU14219310 | 34.40 | 14 |
| GU03718350 | 33.27 | 12 | GU12018900 | 34.31 | 6 | GU14219401 | 34.39 | 13 |
| GU03725875 | 33.27 | 1 | GU12022600 | 33.12 | 6 | GU14230501 | 34.40 | 26 |
| GU03729230 | 33.27 | 5 | GU12022600 | 34.32 | 15 | GU14231201 | 34.40 | 27 |
| GU03733000 | 34.43 | 7 | GU12022600 | 34.38 | 23 | GU14232400 | 34.40 | 25 |
| GU03733200 | 34.43 | 10 | GU12031800 | 34.32 | 33 | GU14232512 | 34.40 | 9 |
| GU03733300 | 34.43 | 1 | GU12067701 | 34.33 | 20 | GU14234300 | 34.40 | 23 |
| GU03733400 | 34.43 | 8 | GU12082300 | 34.37 | 4 | GU14234600 | 34.34 | 4 |
| GU03733500 | 34.43 | 9 | GU12082800 | 34.37 | 5 | GU14234600 | 34.40 | 24 |
| GU03738045 | 33.23 | 8 | GU12082901 | 34.37 | 2 | GU14235500 | 34.40 | 21 |
| GU03740437 | 33.25 | 23 | GU12087001 | 34.37 | 9 | GU14237800 | 34.38 | 14 |
| GU03740540 | 33.25 | 1 | GU12154200 | 34.35 | 13 | GU14335303 | 33.18 | 15 |
| GU03744760 | 33.25 | 21 | GU12154200 | 34.38 | 18 | GU14429900 | 33.04 | 37 |
| GU03746370 | 33.28 | 12 | GU12211700 | 34.39 | 12 | GU14433400 | 34.34 | 10 |
| GU03747270 | 33.24 | 22 | GU12327700 | 33.11 | 7 | GU14433500 | 33.04 | 10 |
| GU03747270 | 33.28 | 2 | GU12351100 | 33.12 | 11 | GU14439800 | 33.25 | 9 |
| GU03748440 | 33.28 | 8 | GU12355202 | 33.12 | 18 | GU14516700 | 33.09 | 4 |
| GU03749845 | 33.19 | 7 | GU12355203 | 33.12 | 18 | GU14517000 | 33.09 | 5 |
| GU03751630 | 33.25 | 15 | GU12356300 | 33.12 | 30 | GU14609650 | 33.15 | 20 |
| GU03751631 | 33.25 | 14 | GU12616101 | 33.17 | 13 | GU14609650 | 33.20 | 15 |
| GU03759150 | 33.04 | 29 | GU12616101 | 33.18 | 6 | GU14609650 | 33.28 | 25 |
| GU03760465 | 33.24 | 4 | GU12616102 | 33.17 | 13 | GU14615901 | 33.08 | 4 |
| GU03761570 | 33.24 | 1 | GU12616102 | 33.18 | 6 | GU14615901 | 33.12 | 4 |
| GU03761970 | 33.24 | 15 | GU12616103 | 33.17 | 13 | GU14615901 | 33.16 | 6 |
| GU03762070 | 33.24 | 14 | GU12616103 | 33.18 | 6 | GU14615901 | 33.17 | 10 |
| GU03762370 | 33.24 | 10 | GU12905900 | 36.45 | 18 | GU14615901 | 33.18 | 2 |
| GU03762550 | 33.24 | 5 | GU12906900 | 36.45 | 12 | GU14615901 | 33.22 | 6 |
| GU03762870 | 33.24 | 36 | GU12907100 | 36.45 | 19 | GU14615901 | 34.33 | 21 |
| GU03764060 | 33.24 | 12 | GU12911801 | 36.45 | 5 | GU14634051 | 33.18 | 4 |
| GU03766570 | 33.24 | 32 | GU12912000 | 36.45 | 10 | GU14717600 | 33.27 | 13 |
| GU03767270 | 33.24 | 9 | GU12913600 | 36.45 | 4 | GU14905400 | 36.45 | 21 |
| GU03781150 | 33.24 | 30 | GU13084100 | 34.37 | 1 | GU14907000 | 36.45 | 27 |
| GU03785470 | 33.28 | 11 | GU13148300 | 34.35 | 4 | GU14912603 | 36.45 | 22 |
| GU03991572 | 34.38 | 20 | GU13432640 | 33.03 | 3 | GU14913100 | 36.45 | 23 |
| GU04211500 | 34.39 | 10 | GU13432640 | 33.22 | 27 | GU14927100 | 36.45 | 9 |
| GU05001230 | 34.31 | 14 | GU14003600 | 34.31 | 24 | GU14927200 | 36.45 | 11 |
| GU05011830 | 34.31 | 36 | GU14011900 | 34.31 | 10 | GU14927300 | 36.45 | 16 |
| GU05025330 | 34.33 | 11 | GU14011901 | 34.31 | 10 | GU14928500 | 36.45 | 24 |
| GU05025331 | 34.32 | 4 | GU14018400 | 34.32 | 24 | GU14928600 | 36.45 | 32 |
| GU05036030 | 34.32 | 6 | GU14030201 | 34.32 | 25 | GU14928700 | 36.45 | 20 |
| GU05036131 | 34.32 | 5 | GU14030401 | 34.32 | 26 | GU14928800 | 36.45 | 33 |
| GU05053331 | 34.34 | 3 | GU14072001 | 34.34 | 12 | GU14928900 | 36.45 | 13 |
| GU05054532 | 34.34 | 9 | GU14085700 | 34.37 | 6 | GU14929000 | 36.45 | 34 |
| GU05058030 | 34.34 | 16 | GU14085900 | 34.37 | 7 | GU14929100 | 36.45 | 14 |
| GU05060230 | 34.33 | 2 | GU14086000 | 34.37 | 8 | GU14929300 | 36.45 | 38 |
| GU05060630 | 34.33 | 3 | GU14086100 | 34.37 | 10 | GU14929400 | 36.45 | 35 |
| GU05060730 | 34.33 | 4 | GU14090202 | 34.37 | 12 | GU14929500 | 36.45 | 36 |
| GU05060930 | 34.33 | 5 | GU14090400 | 34.37 | 14 | GU14929600 | 36.45 | 1 |
| GU05061030 | 34.33 | 6 | GU14152200 | 34.36 | 3 | GU17034050 | 34.32 | 21 |



| Code | No. table | Pos. | Code | No. table | Pos. | Code | No. table | Pos. |
|------------|-----------|------|------------|-----------|------|------------|-----------|------|
| GU17045860 | 34.34 | 2 | GU25656100 | 33.21 | 9 | GU30356760 | 33.12 | 13 |
| GU17067900 | 34.33 | 22 | GU25656100 | 33.22 | 16 | GU30424660 | 34.38 | 21 |
| GU17335950 | 33.18 | 16 | GU25656102 | 34.35 | 11 | GU30425260 | 33.02 | 37 |
| GU17350400 | 33.12 | 23 | GU27135215 | 33.23 | 13 | GU30429760 | 33.04 | 36 |
| GU17350700 | 33.12 | 24 | GU27530505 | 33.10 | 5 | GU30429860 | 33.04 | 15 |
| GU17355400 | 33.12 | 25 | GU27530594 | 33.23 | 3 | GU30429960 | 33.04 | 14 |
| GU17355402 | 33.12 | 25 | GU27530595 | 33.23 | 7 | GU30433560 | 33.04 | 33 |
| GU17355404 | 33.12 | 25 | GU27663815 | 33.23 | 22 | GU30461360 | 33.01 | 21 |
| GU17355406 | 33.12 | 25 | GU28157850 | 34.35 | 20 | GU30462060 | 33.01 | 25 |
| GU17355408 | 33.12 | 25 | GU28157950 | 33.13 | 5 | GU30477101 | 33.28 | 16 |
| GU17355410 | 33.12 | 25 | GU28157950 | 33.15 | 19 | GU30477200 | 33.28 | 17 |
| GU17355412 | 33.12 | 25 | GU28217350 | 34.40 | 29 | GU30513401 | 33.09 | 2 |
| GU17444250 | 33.02 | 29 | GU28234700 | 34.38 | 30 | GU30516500 | 33.09 | 3 |
| GU17633550 | 33.18 | 24 | GU28238261 | 34.40 | 33 | GU30530510 | 34.42 | 3 |
| GU17945060 | 36.45 | 26 | GU28576591 | 33.01 | 32 | GU30530511 | 34.42 | 4 |
| GU17945160 | 36.45 | 37 | GU28576591 | 33.26 | 15 | GU30530512 | 34.42 | 9 |
| GU17945460 | 36.45 | 31 | GU28576591 | 33.28 | 37 | GU30530528 | 33.23 | 19 |
| GU17947560 | 36.45 | 3 | GU28576591 | 34.41 | 14 | GU30530561 | 33.10 | 55 |
| GU17948360 | 36.45 | 28 | GU28707050 | 33.28 | 27 | GU30576100 | 33.07 | 7 |
| GU17948460 | 36.45 | 29 | GU28742558 | 33.27 | 4 | GU30576100 | 33.26 | 22 |
| GU17948860 | 36.45 | 30 | GU28742558 | 33.28 | 22 | GU30577800 | 34.44 | 21 |
| GU17949260 | 36.45 | 25 | GU28742559 | 33.27 | 4 | GU30601060 | 33.23 | 18 |
| GU17999550 | 34.31 | 34 | GU28742561 | 33.28 | 22 | GU30602500 | 33.23 | 20 |
| GU18001150 | 34.31 | 20 | GU28742562 | 33.28 | 22 | GU30611460 | 33.18 | 10 |
| GU18144350 | 34.35 | 18 | GU29106860 | 33.13 | 3 | GU30631160 | 33.18 | 5 |
| GU18144350 | 34.36 | 12 | GU29115860 | 33.15 | 15 | GU30631430 | 33.18 | 7 |
| GU18211050 | 34.39 | 15 | GU29116960 | 33.15 | 14 | GU30661100 | 33.22 | 42 |
| GU18211051 | 34.39 | 15 | GU29217960 | 34.41 | 7 | GU30665000 | 33.22 | 7 |
| GU18211052 | 34.39 | 15 | GU29418360 | 33.01 | 9 | GU30665860 | 33.22 | 12 |
| GU18211054 | 34.39 | 15 | GU29447150 | 33.02 | 40 | GU30678160 | 33.03 | 2 |
| GU18352400 | 33.12 | 15 | GU29530562 | 34.44 | 4 | GU30678160 | 33.22 | 22 |
| GU18355100 | 33.12 | 17 | GU29606970 | 33.23 | 24 | GU30714201 | 34.41 | 3 |
| GU18432760 | 33.04 | 17 | GU29615260 | 33.17 | 4 | GU30717061 | 33.27 | 15 |
| GU18548000 | 33.11 | 9 | GU29711460 | 34.41 | 5 | GU30728230 | 33.27 | 29 |
| GU18678350 | 33.22 | 28 | GU29711960 | 34.41 | 11 | GU30729330 | 33.27 | 18 |
| GU18941750 | 34.32 | 43 | GU29722760 | 33.27 | 20 | GU30730711 | 34.42 | 1 |
| GU19007700 | 34.31 | 23 | GU29729461 | 33.27 | 34 | GU30732200 | 33.27 | 31 |
| GU19149800 | 33.19 | 18 | GU29740500 | 33.25 | 22 | GU30732400 | 33.27 | 32 |
| GU19149800 | 33.20 | 3 | GU30003800 | 34.36 | 2 | GU30759600 | 33.28 | 28 |
| GU19149800 | 33.21 | 5 | GU30004910 | 34.31 | 31 | GU30906510 | 36.45 | 8 |
| GU19149800 | 34.35 | 9 | GU30058310 | 34.34 | 17 | GU30912810 | 36.45 | 7 |
| GU19207220 | 34.38 | 19 | GU30059211 | 34.34 | 18 | GU30922260 | 33.28 | 6 |
| GU19355320 | 33.12 | 19 | GU30061241 | 34.33 | 7 | GU30944300 | 33.30 | 6 |
| GU19355321 | 33.12 | 19 | GU30081810 | 34.39 | 3 | GU30970200 | 33.01 | 12 |
| GU19355322 | 33.12 | 19 | GU30109330 | 33.16 | 4 | GU30999060 | 34.31 | 33 |
| GU19355323 | 33.12 | 19 | GU30113460 | 33.15 | 3 | GU31003766 | 33.12 | 31 |
| GU19355324 | 33.12 | 19 | GU30113600 | 33.15 | 2 | GU31003766 | 34.38 | 34 |
| GU19355325 | 33.12 | 19 | GU30114470 | 34.44 | 5 | GU31103565 | 33.05 | 13 |
| GU19355326 | 33.12 | 19 | GU30114560 | 33.15 | 9 | GU31666990 | 33.22 | 1 |
| GU19355327 | 33.12 | 19 | GU30114660 | 33.15 | 8 | GU31753765 | 33.25 | 17 |
| GU19355328 | 33.12 | 19 | GU30115220 | 33.45 | 9 | GU31753765 | 33.26 | 8 |
| GU19355329 | 33.12 | 19 | GU30147700 | 34.35 | 7 | GU31768780 | 34.35 | 14 |
| GU19357660 | 33.12 | 20 | GU30150900 | 34.36 | 8 | GU32023910 | 34.32 | 9 |
| GU19705900 | 33.01 | 27 | GU30153000 | 34.36 | 1 | GU32103961 | 33.05 | 3 |
| GU19927100 | 36.45 | 15 | GU30158701 | 34.36 | 7 | GU32103961 | 33.29 | 3 |
| GU19929600 | 36.45 | 2 | GU30158800 | 34.36 | 11 | GU32258010 | 33.03 | 10 |
| GU23440210 | 33.02 | 41 | GU30158900 | 34.36 | 10 | GU32258110 | 33.03 | 13 |
| GU23440710 | 33.02 | 16 | GU30159000 | 34.36 | 13 | GU32657060 | 33.22 | 20 |
| GU23441210 | 33.02 | 20 | GU30214225 | 34.40 | 18 | GU32703810 | 34.41 | 2 |
| GU23441310 | 33.02 | 42 | GU30230725 | 34.40 | 19 | GU32712411 | 34.41 | 1 |
| GU23441810 | 33.02 | 18 | GU30231025 | 34.40 | 8 | GU32727010 | 33.16 | 21 |
| GU23443210 | 33.02 | 19 | GU30231525 | 34.39 | 22 | GU32735510 | 33.24 | 17 |
| GU23922210 | 33.28 | 5 | GU30252060 | 33.03 | 15 | GU32735510 | 33.29 | 5 |
| GU23943410 | 33.10 | 56 | GU30252360 | 33.03 | 16 | GU32735511 | 33.24 | 17 |
| GU23943510 | 33.09 | 20 | GU30256960 | 33.03 | 14 | GU32735511 | 33.29 | 5 |
| GU25656100 | 33.19 | 12 | GU30335260 | 33.18 | 14 | GU32909960 | 33.30 | 8 |
| GU25656100 | 33.20 | 18 | GU30354602 | 33.12 | 29 | GU37037405 | 34.32 | 11 |



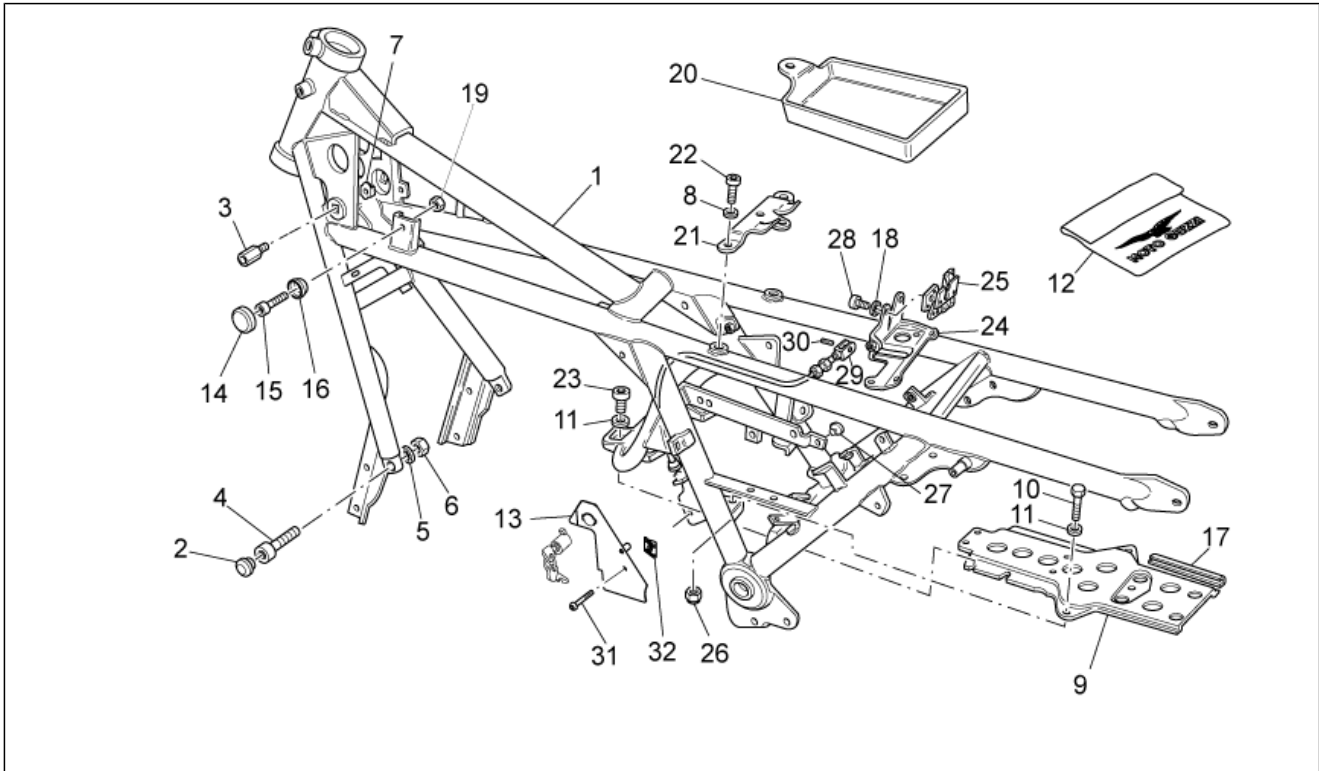
| Code | No. table | Pos. | Code | No. table | Pos. | Code | No. table | Pos. |
|------------|-----------|------|------------|-----------|------|------------|-----------|------|
| GU37037605 | 34.32 | 12 | GU91551120 | 33.20 | 14 | GU92660801 | 33.05 | 15 |
| GU37045006 | 34.34 | 1 | GU91551131 | 33.05 | 14 | GU92750180 | 34.34 | 11 |
| GU37065405 | 34.33 | 18 | GU91551167 | 33.22 | 41 | GU92787006 | 33.09 | 12 |
| GU37712306 | 34.41 | 9 | GU91551168 | 33.24 | 3 | GU92787006 | 33.26 | 21 |
| GU39103400 | 33.01 | 14 | GU91600450 | 34.41 | 10 | GU92787008 | 33.08 | 7 |
| GU39103400 | 33.04 | 32 | GU91702355 | 34.34 | 15 | GU92787008 | 33.12 | 5 |
| GU39103500 | 33.01 | 16 | GU92201070 | 33.12 | 26 | GU92787008 | 33.16 | 7 |
| GU39103500 | 33.04 | 27 | GU92201417 | 34.38 | 13 | GU92787008 | 34.31 | 5 |
| GU39663801 | 33.19 | 4 | GU92204220 | 33.17 | 3 | GU92787205 | 33.07 | 12 |
| GU43083810 | 34.40 | 3 | GU92204220 | 33.18 | 3 | GU92787205 | 34.43 | 5 |
| GU43262180 | 33.22 | 23 | GU92204230 | 33.11 | 14 | GU93180105 | 33.11 | 5 |
| GU55235000 | 34.40 | 22 | GU92218424 | 34.38 | 7 | GU93180111 | 33.17 | 11 |
| GU55235001 | 34.40 | 22 | GU92234717 | 34.38 | 8 | GU93180111 | 33.18 | 28 |
| GU55235002 | 34.40 | 22 | GU92249213 | 33.11 | 8 | GU93180216 | 33.01 | 2 |
| GU55235003 | 34.40 | 22 | GU92249225 | 33.09 | 6 | GU93180220 | 34.38 | 22 |
| GU61270300 | 34.31 | 13 | GU92249227 | 33.12 | 14 | GU93180245 | 33.02 | 35 |
| GU65928400 | 36.45 | 17 | GU92251022 | 34.40 | 7 | GU93180245 | 33.12 | 32 |
| GU66478610 | 33.06 | 4 | GU92251030 | 34.39 | 20 | GU93180245 | 34.38 | 33 |
| GU90118152 | 34.32 | 31 | GU92251030 | 34.40 | 30 | GU93180577 | 34.43 | 4 |
| GU90271020 | 33.11 | 13 | GU92254340 | 33.12 | 12 | GU93221330 | 33.27 | 6 |
| GU90271026 | 33.17 | 18 | GU92256218 | 34.38 | 3 | GU93222023 | 33.24 | 19 |
| GU90271055 | 33.18 | 27 | GU92259017 | 34.40 | 6 | GU93222023 | 33.27 | 28 |
| GU90272047 | 33.17 | 15 | GU92295702 | 34.40 | 15 | GU93231606 | 33.02 | 7 |
| GU90272047 | 33.18 | 23 | GU92296750 | 34.39 | 18 | GU93232005 | 34.44 | 22 |
| GU90351038 | 34.33 | 8 | GU92602206 | 33.22 | 30 | GU93304390 | 33.28 | 26 |
| GU90353016 | 34.32 | 7 | GU92602206 | 33.23 | 17 | GU93305061 | 34.44 | 6 |
| GU90402840 | 34.31 | 19 | GU92602510 | 34.35 | 8 | GU93306017 | 33.13 | 7 |
| GU90403547 | 34.38 | 2 | GU92602525 | 34.34 | 14 | GU93306017 | 33.15 | 13 |
| GU90403548 | 34.38 | 31 | GU92603010 | 34.32 | 23 | GU93306050 | 33.11 | 10 |
| GU90405367 | 34.31 | 35 | GU92606003 | 33.27 | 33 | GU93306070 | 33.11 | 11 |
| GU90413850 | 33.12 | 10 | GU92606205 | 33.04 | 20 | GU93400012 | 33.24 | 20 |
| GU90417085 | 33.12 | 27 | GU92606206 | 33.22 | 19 | GU93450127 | 33.25 | 16 |
| GU90706108 | 33.09 | 9 | GU92606206 | 33.27 | 26 | GU93450127 | 33.26 | 7 |
| GU90706140 | 34.38 | 12 | GU92606208 | 34.31 | 8 | GU93450224 | 33.26 | 3 |
| GU90706141 | 33.27 | 19 | GU92606312 | 33.01 | 6 | GU93601022 | 34.39 | 1 |
| GU90706170 | 34.37 | 11 | GU92606312 | 33.02 | 33 | GU94321051 | 34.39 | 19 |
| GU90706178 | 34.31 | 32 | GU92606312 | 33.04 | 16 | GU94321067 | 34.38 | 29 |
| GU90706178 | 34.41 | 8 | GU92606508 | 33.04 | 31 | GU94321070 | 33.23 | 15 |
| GU90706203 | 33.12 | 7 | GU92606508 | 34.37 | 15 | GU94321079 | 34.36 | 9 |
| GU90706203 | 34.32 | 16 | GU92606512 | 33.02 | 32 | GU94321105 | 34.37 | 13 |
| GU90706203 | 34.38 | 24 | GU92606512 | 34.38 | 15 | GU94322185 | 33.03 | 18 |
| GU90706203 | 34.39 | 6 | GU92606516 | 34.41 | 4 | GU94322215 | 34.32 | 30 |
| GU90706203 | 34.40 | 31 | GU92609007 | 33.22 | 35 | GU95005306 | 33.02 | 36 |
| GU90706219 | 34.40 | 28 | GU92609206 | 33.03 | 12 | GU95005306 | 33.10 | 54 |
| GU90706235 | 34.39 | 4 | GU92609512 | 33.03 | 19 | GU95005306 | 33.26 | 16 |
| GU90706461 | 34.44 | 14 | GU92630104 | 33.20 | 11 | GU95005307 | 33.06 | 12 |
| GU90706490 | 33.18 | 13 | GU92630106 | 33.09 | 25 | GU95005307 | 33.19 | 24 |
| GU90706584 | 33.11 | 3 | GU92630106 | 33.28 | 33 | GU95005308 | 33.07 | 4 |
| GU90706584 | 33.12 | 16 | GU92630108 | 33.02 | 11 | GU95005308 | 33.12 | 22 |
| GU90714053 | 33.15 | 16 | GU92630110 | 33.04 | 11 | GU95005308 | 33.25 | 10 |
| GU90714082 | 33.15 | 18 | GU92630110 | 33.10 | 10 | GU95005308 | 34.31 | 4 |
| GU90718370 | 33.16 | 3 | GU92630204 | 33.27 | 37 | GU95005311 | 33.16 | 14 |
| GU91111511 | 34.32 | 27 | GU92630707 | 33.03 | 6 | GU95005330 | 33.09 | 18 |
| GU91120620 | 33.09 | 10 | GU92630707 | 33.04 | 24 | GU95008205 | 33.27 | 23 |
| GU91180600 | 33.05 | 20 | GU92630707 | 33.28 | 20 | GU95008206 | 33.28 | 23 |
| GU91180602 | 33.02 | 23 | GU92630719 | 33.18 | 21 | GU95008206 | 34.31 | 28 |
| GU91180605 | 33.06 | 9 | GU92640508 | 33.02 | 26 | GU95008208 | 33.01 | 11 |
| GU91180605 | 33.09 | 21 | GU92640508 | 33.16 | 13 | GU95008208 | 33.02 | 6 |
| GU91180607 | 33.28 | 15 | GU92640508 | 33.17 | 2 | GU95008208 | 33.04 | 26 |
| GU91180617 | 33.22 | 40 | GU92650036 | 33.01 | 26 | GU95008208 | 33.08 | 6 |
| GU91181039 | 33.10 | 9 | GU92650036 | 33.06 | 10 | GU95008208 | 33.16 | 12 |
| GU91551010 | 33.07 | 6 | GU92650036 | 33.26 | 17 | GU95008208 | 33.24 | 16 |
| GU91551010 | 33.26 | 14 | GU92660007 | 33.24 | 23 | GU95008210 | 33.04 | 8 |
| GU91551080 | 33.28 | 14 | GU92660208 | 33.15 | 11 | GU95008210 | 33.11 | 15 |
| GU91551081 | 33.05 | 21 | GU92660601 | 33.01 | 7 | GU95008210 | 33.27 | 36 |
| GU91551099 | 33.08 | 2 | GU92660601 | 33.06 | 5 | GU95008219 | 33.18 | 20 |
| GU91551105 | 33.25 | 4 | GU92660601 | 33.27 | 11 | GU95008304 | 33.27 | 8 |



| Code | No. table | Pos. | Code | No. table | Pos. | Code | No. table | Pos. |
|------------|-----------|------|------------|-----------|------|------------|-----------|------|
| GU95008306 | 33.04 | 23 | GU98084216 | 33.04 | 19 | GU98682325 | 34.31 | 27 |
| GU95008306 | 33.22 | 9 | GU98084312 | 33.18 | 18 | GU98682325 | 34.38 | 16 |
| GU95008306 | 33.24 | 25 | GU98084314 | 33.02 | 21 | GU98682325 | 34.44 | 10 |
| GU95008306 | 33.27 | 10 | GU98084316 | 33.04 | 38 | GU98682416 | 33.04 | 35 |
| GU95008313 | 33.02 | 13 | GU98084316 | 34.32 | 34 | GU98682416 | 33.29 | 7 |
| GU95008313 | 33.04 | 13 | GU98084316 | 34.36 | 4 | GU98682420 | 33.01 | 23 |
| GU95021204 | 33.19 | 9 | GU98084320 | 34.34 | 6 | GU98682530 | 33.21 | 4 |
| GU95021204 | 33.27 | 27 | GU98084412 | 33.22 | 5 | GU98683530 | 33.19 | 17 |
| GU95021206 | 33.24 | 35 | GU98084420 | 34.33 | 10 | GU98683530 | 33.20 | 2 |
| GU95022110 | 33.02 | 39 | GU98084425 | 34.31 | 12 | GU98683635 | 33.01 | 4 |
| GU95022112 | 33.01 | 5 | GU98110007 | 33.16 | 20 | GU98683635 | 33.02 | 27 |
| GU95022112 | 33.02 | 31 | GU98210610 | 33.16 | 23 | GU98683640 | 33.02 | 34 |
| GU95028022 | 34.39 | 2 | GU98223620 | 33.22 | 39 | GU98692318 | 33.24 | 24 |
| GU95100059 | 33.15 | 5 | GU98257410 | 33.20 | 10 | GU98692318 | 33.25 | 12 |
| GU95100116 | 34.44 | 13 | GU98310609 | 34.44 | 12 | GU98692325 | 34.32 | 29 |
| GU95100118 | 33.28 | 19 | GU98310631 | 34.31 | 22 | GU98692430 | 33.06 | 14 |
| GU95100121 | 33.09 | 8 | GU98350210 | 33.15 | 10 | GU98822430 | 33.18 | 25 |
| GU95100121 | 34.44 | 17 | GU98350312 | 33.01 | 28 | GU98872110 | 33.24 | 11 |
| GU95100141 | 33.26 | 12 | GU98350312 | 33.15 | 6 | GU98872120 | 33.24 | 27 |
| GU95100141 | 34.41 | 13 | GU98350312 | 33.28 | 32 | GU98882325 | 34.38 | 35 |
| GU95100173 | 33.22 | 38 | GU98350315 | 33.20 | 12 | | | |
| GU95100239 | 33.05 | 12 | GU98350330 | 34.35 | 5 | | | |
| GU95100409 | 33.03 | 17 | GU98350416 | 33.01 | 22 | | | |
| GU95100414 | 33.02 | 30 | GU98350416 | 33.03 | 4 | | | |
| GU95100709 | 34.31 | 30 | GU98350416 | 33.22 | 24 | | | |
| GU95100837 | 34.34 | 13 | GU98350430 | 33.05 | 11 | | | |
| GU95120033 | 33.27 | 24 | GU98350522 | 33.02 | 38 | | | |
| GU95120065 | 34.32 | 35 | GU98370412 | 33.19 | 8 | | | |
| GU95120065 | 34.34 | 7 | GU98370516 | 33.26 | 19 | | | |
| GU95129100 | 33.26 | 20 | GU98370609 | 33.24 | 21 | | | |
| GU95129111 | 33.22 | 32 | GU98370616 | 33.01 | 10 | | | |
| GU95129131 | 33.22 | 37 | GU98370616 | 33.06 | 11 | | | |
| GU95129180 | 34.32 | 18 | GU98370616 | 33.06 | 3 | | | |
| GU95129240 | 33.09 | 17 | GU98370619 | 33.05 | 18 | | | |
| GU95187006 | 34.36 | 5 | GU98370619 | 33.10 | 57 | | | |
| GU95500221 | 33.22 | 33 | GU98370619 | 33.19 | 23 | | | |
| GU95500222 | 34.37 | 17 | GU98370619 | 33.28 | 13 | | | |
| GU95512081 | 34.31 | 9 | GU98370621 | 33.02 | 5 | | | |
| GU95512081 | 34.38 | 9 | GU98370622 | 33.07 | 5 | | | |
| GU95522508 | 33.01 | 30 | GU98370622 | 33.09 | 11 | | | |
| GU95740175 | 33.22 | 36 | GU98370625 | 33.09 | 24 | | | |
| GU95780267 | 33.22 | 31 | GU98370625 | 33.26 | 11 | | | |
| GU95780271 | 34.37 | 16 | GU98370630 | 33.01 | 31 | | | |
| GU95980214 | 33.12 | 8 | GU98370850 | 33.07 | 3 | | | |
| GU95980214 | 34.38 | 25 | GU98370850 | 33.08 | 3 | | | |
| GU95980610 | 34.38 | 32 | GU98460105 | 33.11 | 2 | | | |
| GU95990028 | 33.19 | 11 | GU98612316 | 33.26 | 10 | | | |
| GU95990037 | 34.35 | 12 | GU98620340 | 33.10 | 40 | | | |
| GU95990044 | 33.22 | 15 | GU98622430 | 33.10 | 1 | | | |
| GU96508040 | 34.32 | 19 | GU98632322 | 33.03 | 5 | | | |
| GU96508045 | 33.12 | 3 | GU98680110 | 33.27 | 30 | | | |
| GU96508066 | 34.31 | 3 | GU98680230 | 33.15 | 4 | | | |
| GU96508075 | 34.31 | 7 | GU98680265 | 34.41 | 6 | | | |
| GU97260415 | 33.24 | 33 | GU98680335 | 34.38 | 17 | | | |
| GU97260415 | 33.29 | 6 | GU98680440 | 33.04 | 28 | | | |
| GU98052560 | 33.10 | 3 | GU98681650 | 33.02 | 28 | | | |
| GU98064425 | 33.25 | 13 | GU98682125 | 33.27 | 25 | | | |
| GU98082225 | 33.07 | 11 | GU98682212 | 33.27 | 17 | | | |
| GU98082390 | 34.31 | 25 | GU98682310 | 33.22 | 8 | | | |
| GU98082430 | 33.02 | 10 | GU98682310 | 33.27 | 9 | | | |
| GU98082435 | 33.16 | 18 | GU98682310 | 33.28 | 4 | | | |
| GU98082475 | 34.42 | 2 | GU98682314 | 33.25 | 18 | | | |
| GU98082480 | 33.17 | 17 | GU98682314 | 33.28 | 36 | | | |
| GU98082540 | 33.11 | 16 | GU98682316 | 34.38 | 5 | | | |
| GU98082545 | 33.04 | 7 | GU98682318 | 33.22 | 18 | | | |
| GU98082550 | 33.04 | 34 | GU98682318 | 33.28 | 10 | | | |
| GU98084110 | 33.27 | 7 | GU98682320 | 33.22 | 2 | | | |



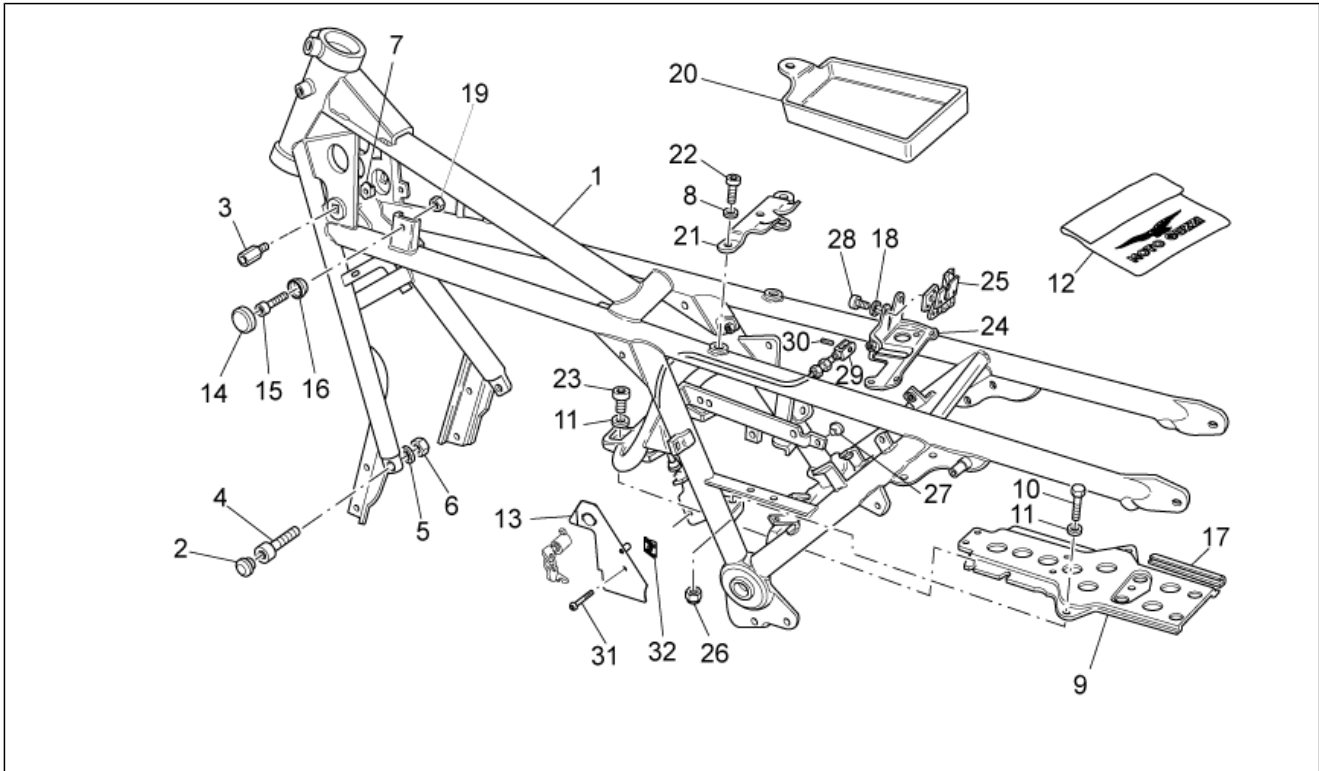
| | |
|--------------------|-------|
| Group | FRAME |
| Code | 33.01 |
| Description | Frame |
| Service | 1 |



| Pos. | Code | Description | Qty | Variants |
|------|---------------|-----------------------------|-----|----------|
| 1 | 977200 | Frame | 1 | |
| 2 | GU93180216 | Rubber spacer | 2 | |
| 3 | GU03469200 | Stud bolt | 2 | |
| 4 | GU98683635 | screw M12X35 | 2 | |
| 5 | GU95022112 | Notched washer | 2 | |
| 6 | GU92606312 | Nut M12x1,25 | 2 | |
| 7 | GU92660601 | Captive nut | 2 | |
| 8 | GU03270300 | Washer 8,4x15 | 2 | |
| 9 | GU29418360 | Plate | 1 | |
| 10 | GU98370616 | Hex socket screw M6x16 inox | 3 | |
| 11 | GU95008208 | Washer 8,4X15X1,5 | 7 | |
| 12 | GU30970200 | Bike cover | 1 | |
| 13 | 977163 | Bracket | 1 | |
| 14 | GU39103400 | Pad | 2 | |
| 16 | GU39103500 | Disc | 2 | |
| 17 | GU00823931080 | Gasket PVC | 1 | |
| 18 | GU03013800 | Washer 6,4x12 | 2 | |
| 19 | AP8152299 | Self-locking nut M6 | 2 | |
| 20 | GU03479545 | Holder | 1 | |
| 21 | GU30461360 | plate | 1 | |
| 22 | GU98350416 | Hex socket screw M8x16 | 2 | |
| 23 | GU98682420 | Hex socket screw M8x20 | 4 | |
| 24 | GU03462345 | Plate | 1 | |
| 25 | GU30462060 | Saddle lock | 1 | |
| 26 | GU92650036 | Flanged nut M6 | 3 | |
| 27 | GU19705900 | Pad | 1 | |
| 28 | GU98350312 | Hex socket screw M6x12 | 2 | |
| 29 | 977384 | Saddle release cable | 1 | |

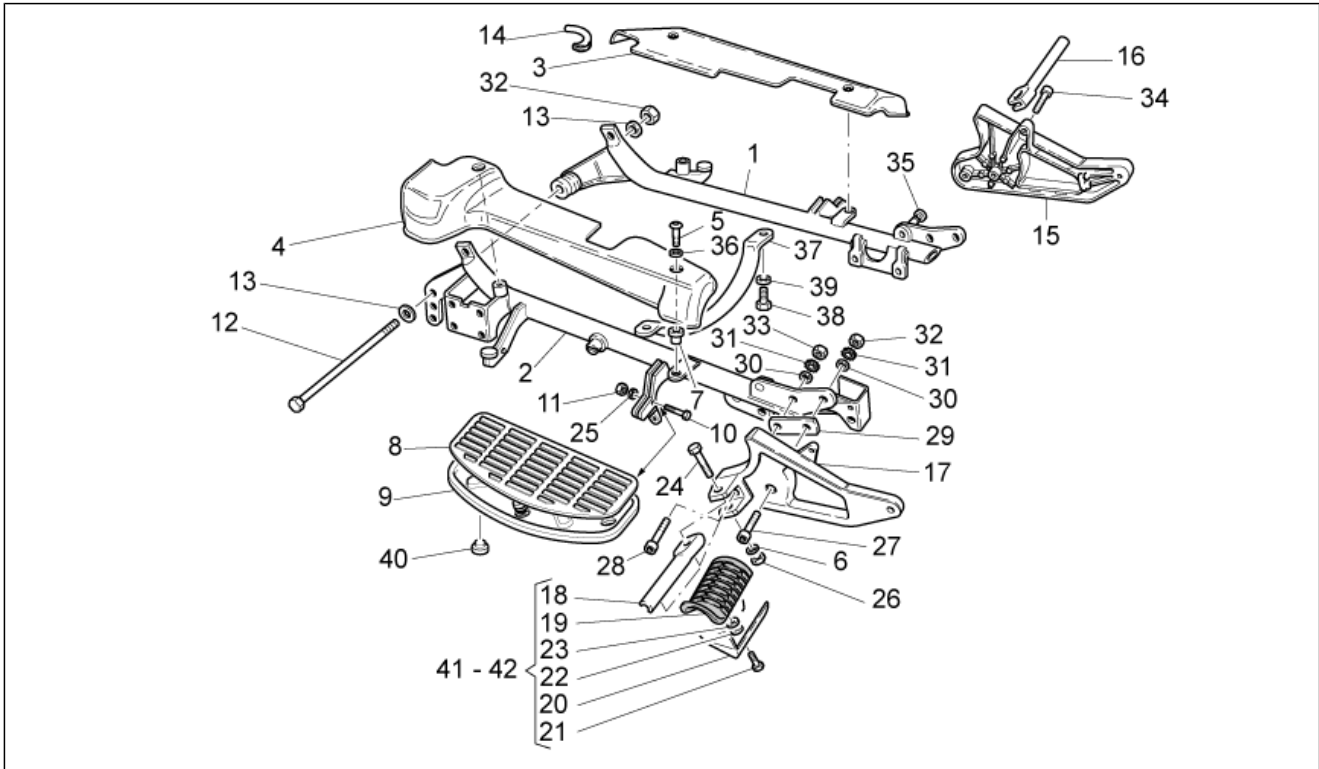


| | |
|--------------------|-------|
| Group | FRAME |
| Code | 33.01 |
| Description | Frame |
| Service | 1 |



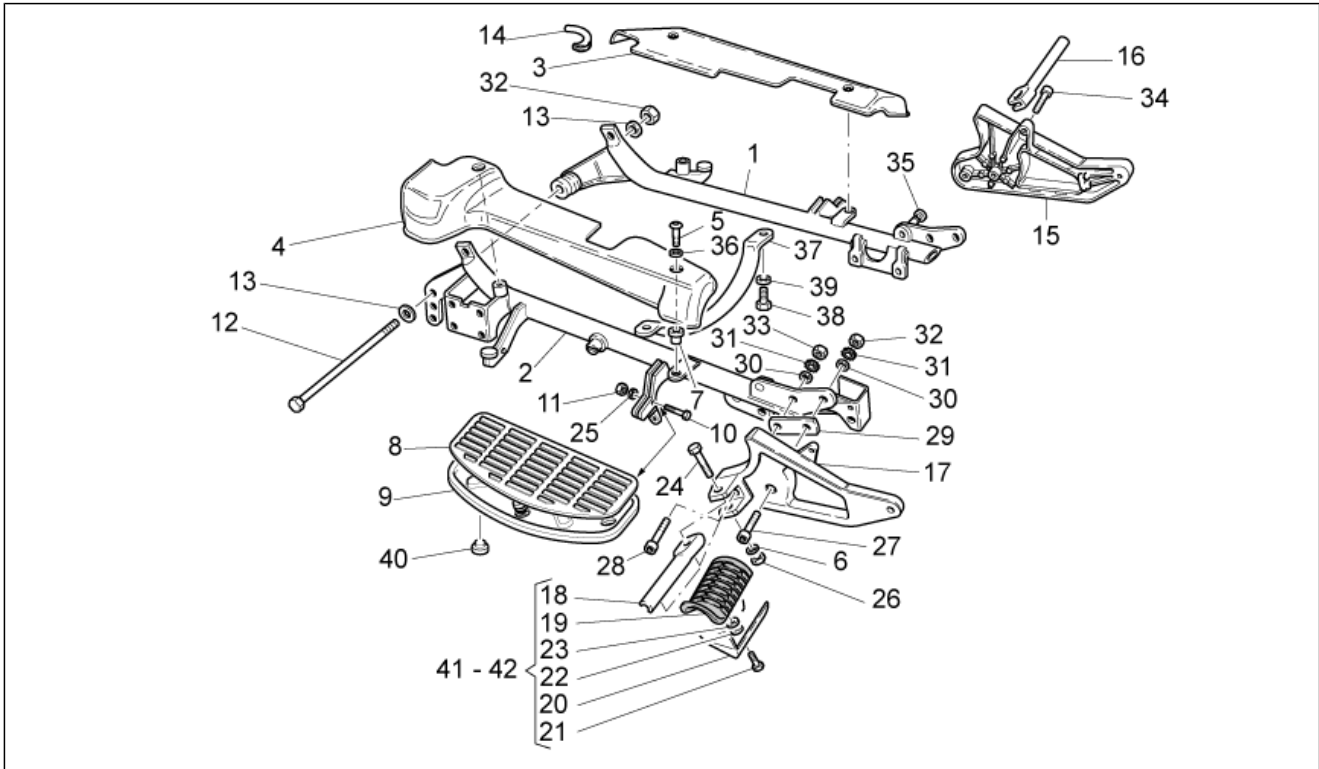
| Pos. | Code | Description | Qty | Variants |
|------|------------|------------------------|-----|----------|
| 30 | GU95522508 | Pin | 1 | |
| 31 | GU98370630 | Hex socket screw M6x30 | 2 | |
| 32 | GU28576591 | Clip M6 | 2 | |

| | |
|--------------------|------------------------|
| Group | FRAME |
| Code | 33.02 |
| Description | Craddle arm-Foot rests |
| Service | 1 |



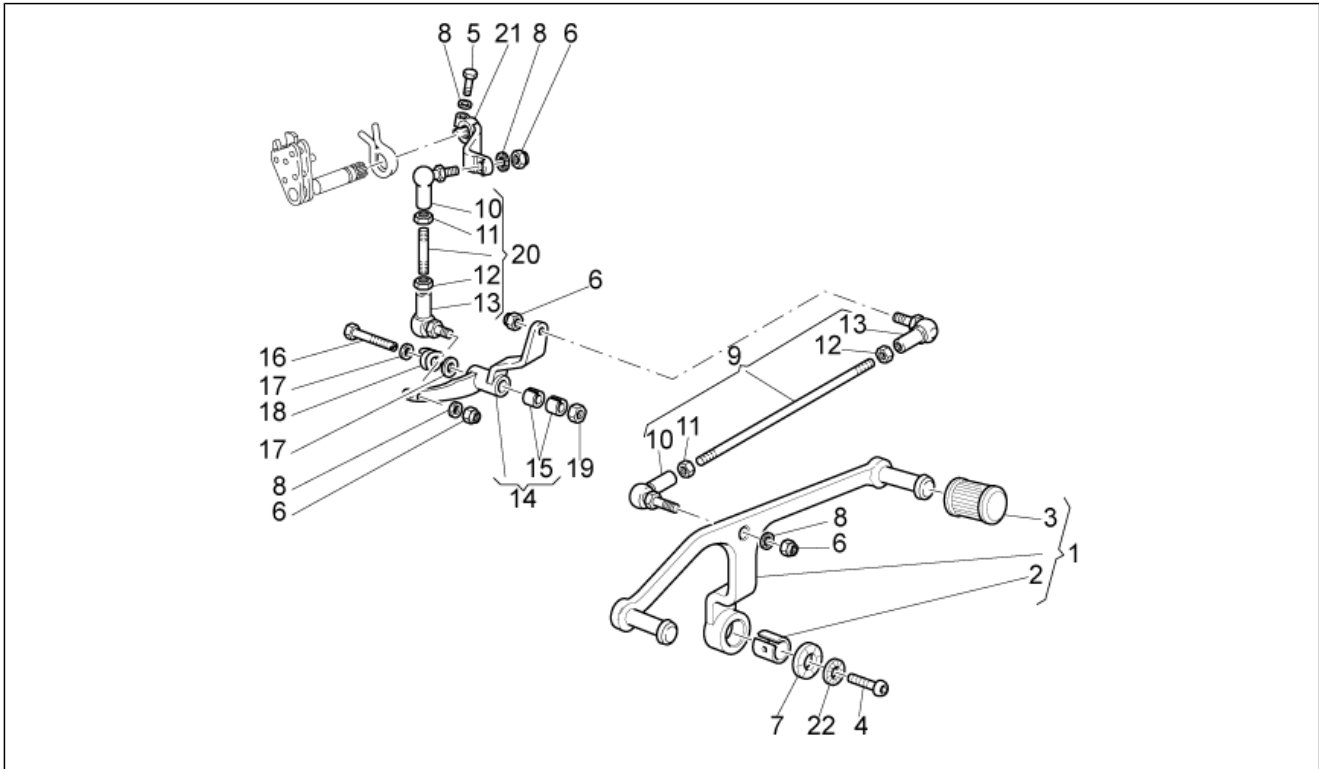
| Pos. | Code | Description | Qty | Variants |
|------|---------------|-----------------------------|-----|----------|
| 1 | GU03420300 | RH craddle arm | 1 | |
| 2 | GU03422100 | LH craddle arm | 1 | |
| 3 | GU03446900 | RH cover chromium plated | 1 | |
| 4 | GU03447410 | LH cover chromium plated | 1 | |
| 5 | GU98370621 | Hex socket screw M6x20 | 5 | |
| 6 | GU95008208 | Washer 8,4X15X1,5 | 2 | |
| 7 | GU93231606 | Antivibration bush M6 | 5 | |
| 8 | GU03447070 | Mat | 2 | |
| 9 | GU03443555 | Foot rest | 2 | |
| 10 | GU98082430 | Hex screw M8x30 | 4 | |
| 11 | GU92630108 | Nut | 4 | |
| 12 | GU03429500 | Pin | 1 | |
| 13 | GU95008313 | Washer 13x24x2,5 | 2 | |
| 14 | GU00823931055 | Gasket | 1 | |
| 15 | 883122 | RH foot rest support chrom. | 1 | |
| 16 | GU23440710 | RH front foot rest pipe | 1 | |
| 17 | 883123 | LH footrest support chrom. | 1 | |
| 18 | GU23441810 | LH front foot rest pipe | 1 | |
| 19 | GU23443210 | Rubber pedal | 2 | |
| 20 | GU23441210 | Plate | 2 | |
| 21 | GU98084314 | Hex screw M6x14 | 2 | |
| 22 | GU03013800 | Washer 6,4x12 | 2 | |
| 23 | GU91180602 | Spacer | 2 | |
| 24 | GU03442200 | screw | 2 | |
| 25 | GU03270300 | Washer 8,4x15 | 6 | |
| 26 | GU92640508 | Nut M8 | 2 | |
| 27 | GU98683635 | screw M12X35 | 1 | |
| 28 | GU98681650 | screw | 2 | |

| | |
|--------------------|------------------------|
| Group | FRAME |
| Code | 33.02 |
| Description | Craddle arm-Foot rests |
| Service | 1 |



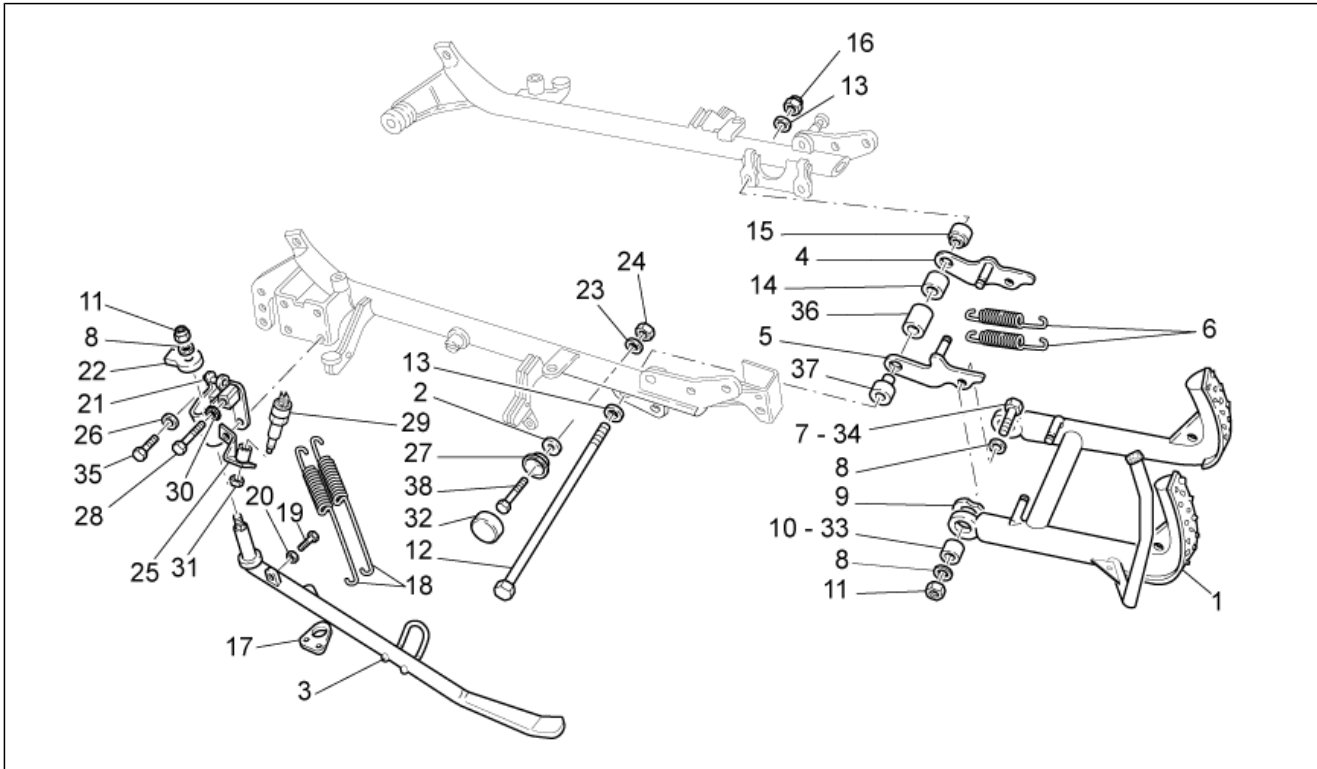
| Pos. | Code | Description | Qty | Variants |
|------|------------|-----------------------------|-----|----------|
| 29 | GU17444250 | Plate | 2 | |
| 30 | GU95100414 | Washer | 4 | |
| 31 | GU95022112 | Notched washer | 4 | |
| 32 | GU92606512 | Low nut M12x1,25 | 2 | |
| 33 | GU92606312 | Nut M12x1,25 | 3 | |
| 34 | GU98683640 | screw M12X40 | 1 | |
| 35 | GU93180245 | Cover | 1 | |
| 36 | GU95005306 | Washer 6,4x13x1,5 | 5 | |
| 37 | GU30425260 | Cradle arms conn.crosspiece | 1 | |
| 38 | GU98350522 | screw | 2 | |
| 39 | GU95022110 | Notched washer | 2 | |
| 40 | GU29447150 | Pad | 4 | |
| 41 | GU23440210 | RH footrest | 1 | |
| 42 | GU23441310 | LH footrest | 1 | |

| | |
|--------------------|------------|
| Group | FRAME |
| Code | 33.03 |
| Description | Gear lever |
| Service | 1 |



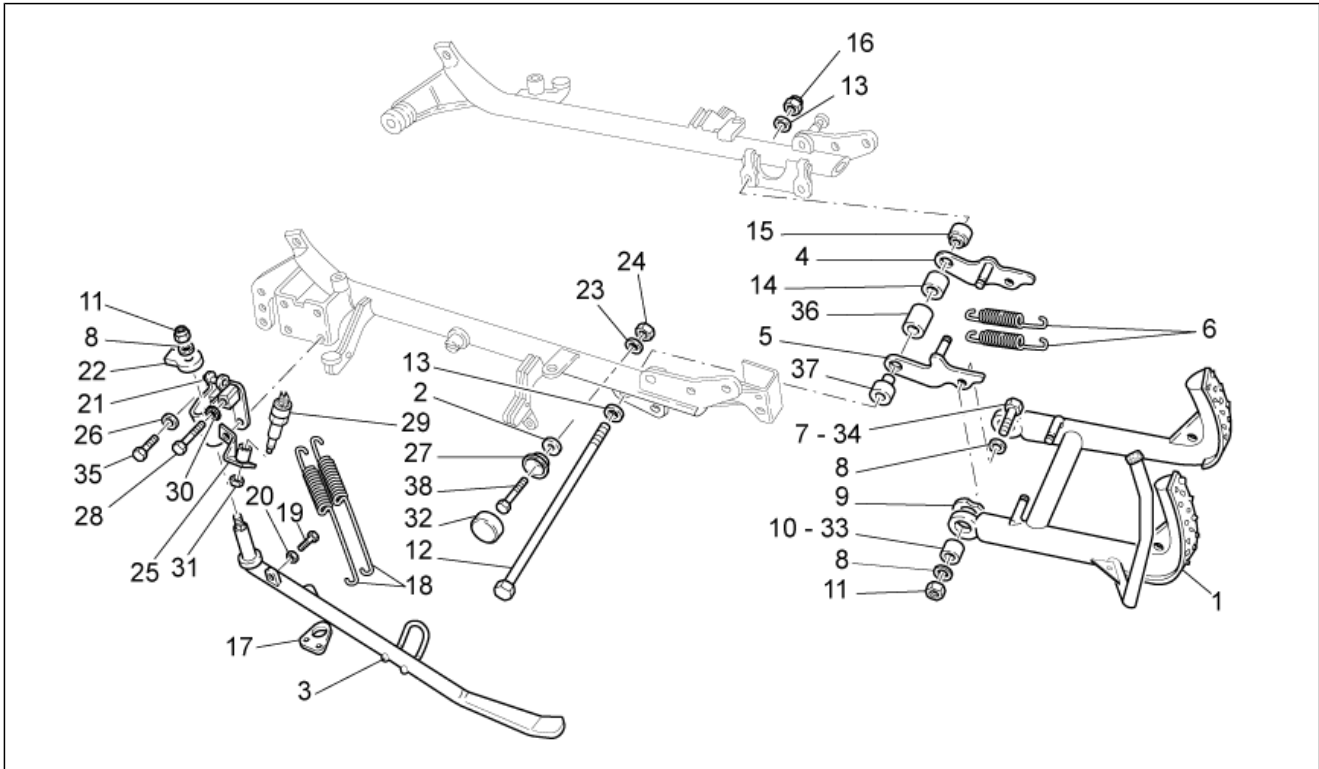
| Pos. | Code | Description | Qty | Variants |
|------|------------|----------------------------|-----|----------|
| 1 | GU03250870 | Complete gearchange lever | 1 | |
| 2 | GU30678160 | Bushing | 1 | |
| 3 | GU13432640 | Rubber pedal | 2 | |
| 4 | GU98350416 | Hex socket screw M8x16 | 1 | |
| 5 | GU98632322 | screw | 1 | |
| 6 | GU92630707 | Nut | 4 | |
| 7 | GU03259100 | Washer | 1 | |
| 8 | GU03013800 | Washer 6,4x12 | 5 | |
| 9 | GU03257602 | Change gear tie rod compl. | 1 | |
| 10 | GU32258010 | Ball joint | 2 | |
| 11 | GU03256800 | Nut M6 | 2 | |
| 12 | GU92609206 | Nut M6 | 2 | |
| 13 | GU32258110 | Ball joint | 2 | |
| 14 | GU30256960 | Lever | 1 | |
| 15 | GU30252060 | Bushing | 2 | |
| 16 | GU30252360 | screw | 1 | |
| 17 | GU95100409 | Washer | 2 | |
| 18 | GU94322185 | Spring | 1 | |
| 19 | GU92609512 | Nut | 1 | |
| 20 | GU03257801 | Change gear tie rod compl. | 1 | |
| 21 | GU03258250 | Lever | 1 | |
| 22 | GU03270300 | Washer 8,4x15 | 1 | |

| | |
|--------------------|--------|
| Group | FRAME |
| Code | 33.04 |
| Description | Stands |
| Service | 1 |



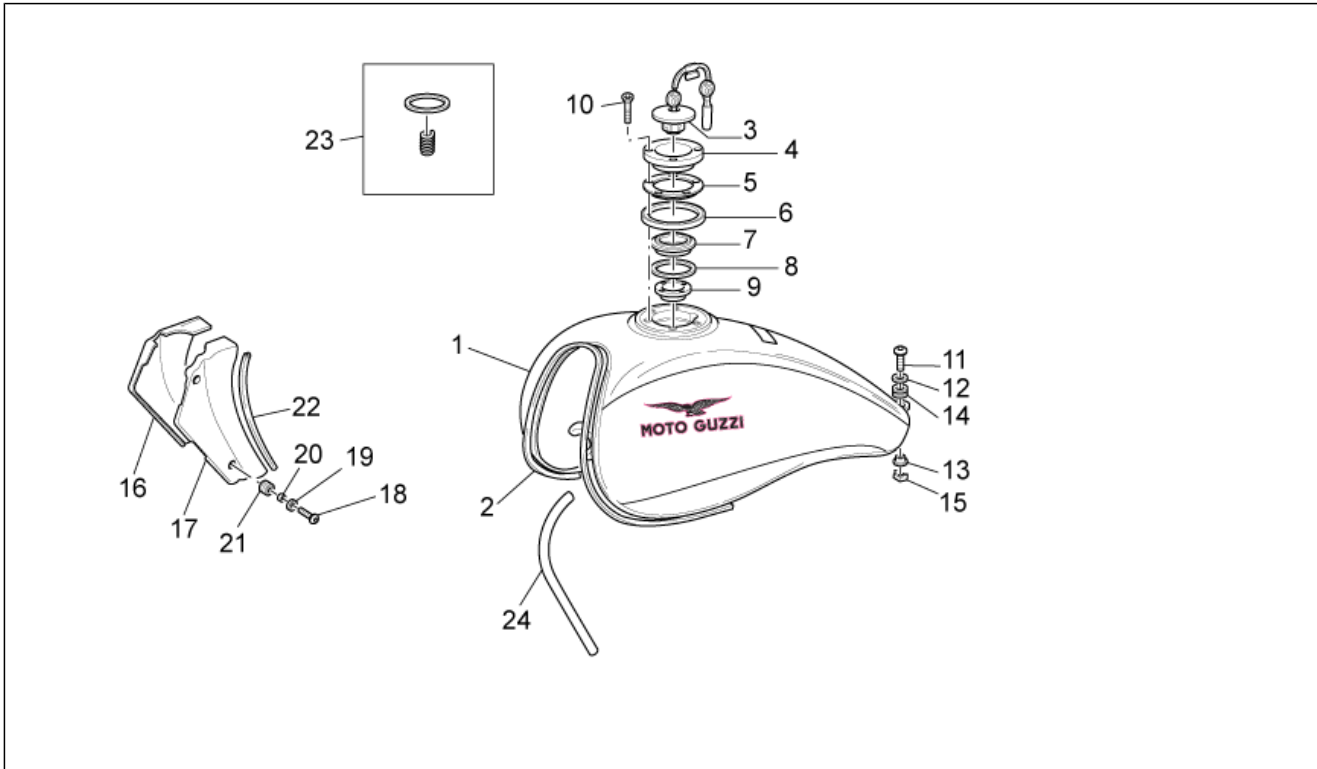
| Pos. | Code | Description | Qty | Variants |
|------|------------|------------------------|-----|----------|
| 1 | GU03430311 | Central stand | 1 | |
| 2 | GU03013800 | Washer 6,4x12 | 1 | |
| 3 | GU03432070 | Lateral stand | 1 | |
| 4 | 977532 | RH plate | 1 | |
| 5 | 977533 | LH plate | 1 | |
| 6 | GU03434011 | Spring | 2 | |
| 7 | GU98082545 | screw | 1 | |
| 8 | GU95008210 | Washer 10,2X18X2 | 3 | |
| 9 | GU03433400 | Washer | 2 | |
| 10 | GU14433500 | LH bush | 1 | |
| 11 | GU92630110 | Nut M10X1,5 | 3 | |
| 12 | GU03429600 | Pin M12x250 | 1 | |
| 13 | GU95008313 | Washer 13x24x2,5 | 2 | |
| 14 | GU30429960 | RH inner spacer | 1 | |
| 15 | GU30429860 | RH outer spacer | 1 | |
| 16 | GU92606312 | Nut M12x1,25 | 1 | |
| 17 | GU18432760 | plate | 1 | |
| 18 | GU03434070 | Spring | 2 | |
| 19 | GU98084216 | Adjuster screw | 1 | |
| 20 | GU92606205 | Nut | 1 | |
| 21 | GU03433470 | Block | 1 | |
| 22 | GU03432740 | Lock | 1 | |
| 23 | GU95008306 | Washer 6,4x12x1,2 | 1 | |
| 24 | GU92630707 | Nut | 1 | |
| 25 | GU03433850 | Support clamp | 1 | |
| 26 | GU95008208 | Washer 8,4X15X1,5 | 2 | |
| 27 | GU39103500 | Disc | 1 | |
| 28 | GU98680440 | Hex socket screw M8x40 | 1 | |

| | |
|--------------------|--------|
| Group | FRAME |
| Code | 33.04 |
| Description | Stands |
| Service | 1 |



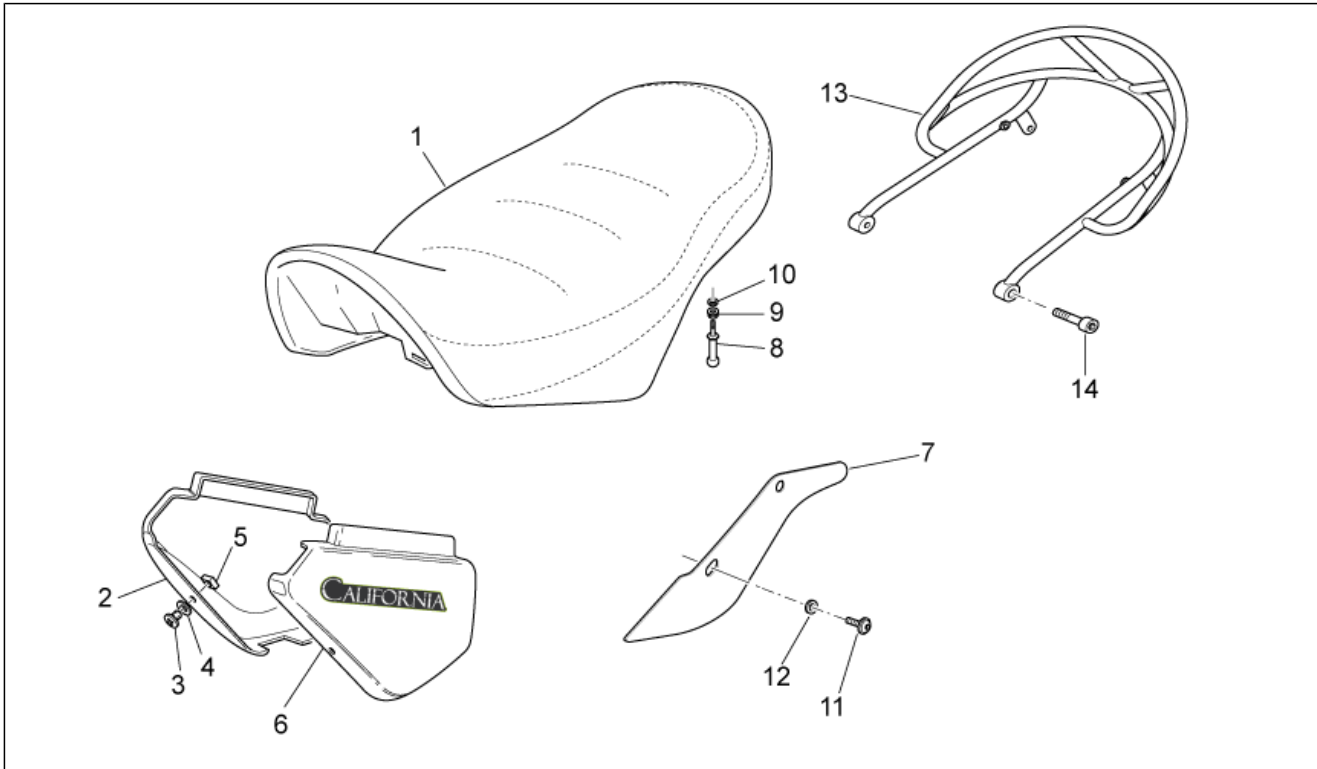
| Pos. | Code | Description | Qty | Variants |
|------|------------|------------------------|-----|----------|
| 29 | GU03759150 | Switch | 1 | |
| 30 | GU03270300 | Washer 8,4x15 | 5 | |
| 31 | GU92606508 | Nut | 1 | |
| 32 | GU39103400 | Pad | 1 | |
| 33 | GU30433560 | RH bush | 1 | |
| 34 | GU98082550 | Hex screw M10x50 | 1 | |
| 35 | GU98682416 | Hex socket screw M8x16 | 3 | |
| 36 | GU30429760 | LH inner spacer | 1 | |
| 37 | GU14429900 | LH outer spacer | 1 | |
| 38 | GU98084316 | Hex screw | 1 | |

| | |
|--------------------|-----------|
| Group | FRAME |
| Code | 33.05 |
| Description | Fuel tank |
| Service | 1 |



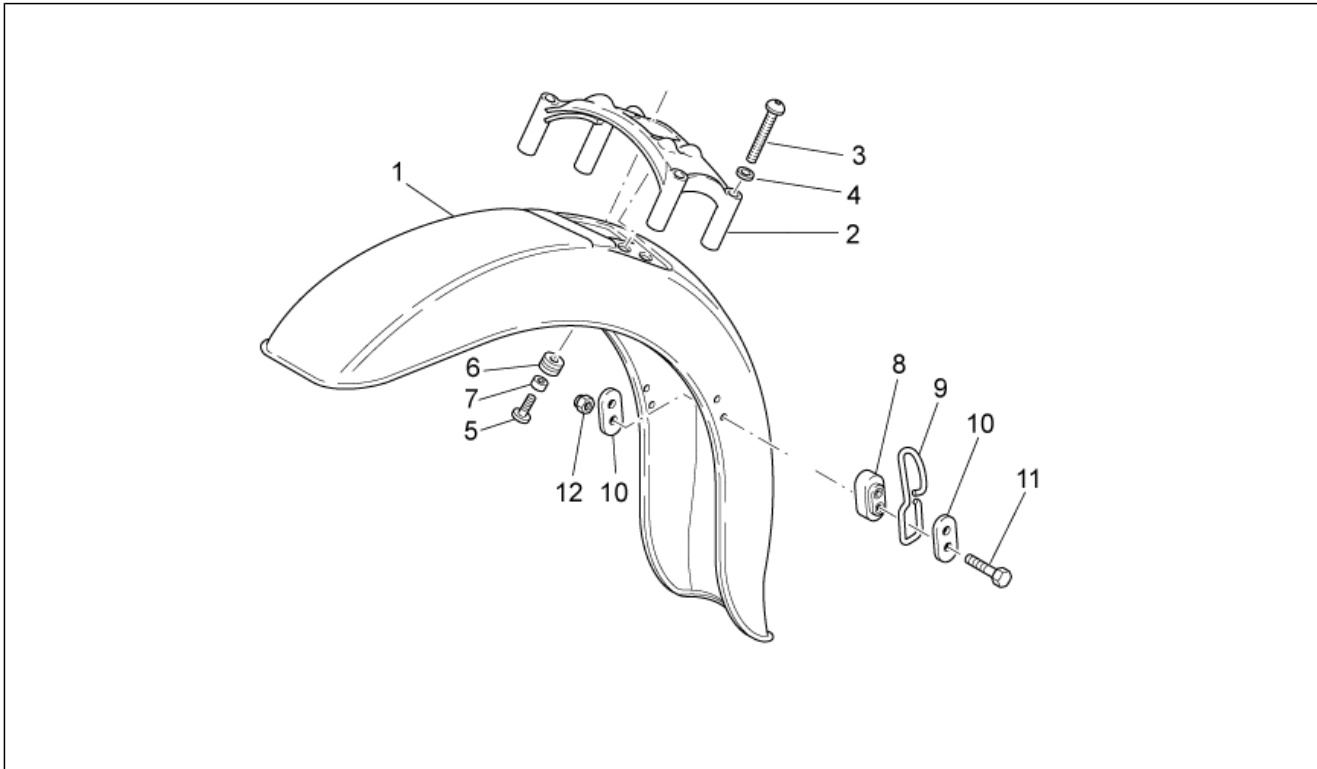
| Pos. | Code | Description | Qty | Variants |
|------|---------------|------------------------|-----|--|
| 1 | 88615300NG | Fuel tank, black | 1 | Year:2009[9] Vehicle colour:Black Eagle 2009[b.eagle] Country:europa[EU] |
| 1 | 88666100NG | Fuel tank, black | 1 | Country:United States of America[USA] |
| 1 | GU03100270 | Fuel tank blank | 1 | |
| 2 | GU00823931070 | Gasket | 1 | |
| 3 | GU03103970 | Tank cap | 1 | |
| 3 | GU32103961 | Tank cap | 1 | Country:United States of America[USA] |
| 4 | GU03101900 | Flange | 1 | |
| 5 | GU03103500 | Ring | 1 | |
| 6 | GU03102400 | Gasket | 1 | |
| 7 | GU03102200 | Plug ring nut | 1 | |
| 8 | GU03101600 | Gasket | 1 | |
| 9 | GU03101720 | Reduction 38 mm | 1 | |
| 10 | GU03103200 | screw | 5 | |
| 11 | GU98350430 | Hex socket screw M8x30 | 1 | |
| 12 | GU95100239 | Washer | 1 | |
| 13 | GU31103565 | Spacer | 1 | |
| 14 | GU91551131 | Rubber spacer | 1 | |
| 15 | GU92660801 | Captive nut | 1 | |
| 16 | GU03472460 | RH front protect black | 1 | Year:2009[9] Vehicle colour:Black Eagle 2009[b.eagle] |
| 17 | GU03472960 | LH front protect black | 1 | Year:2009[9] Vehicle colour:Black Eagle 2009[b.eagle] |
| 18 | GU98370619 | Hex socket screw | 4 | |
| 19 | GU03462801 | Washer | 4 | |
| 20 | GU91180600 | Spacer 6,25x8x5 | 4 | |
| 21 | GU91551081 | Rubber spacer 8x15 | 4 | |
| 22 | GU00823931055 | Gasket | 1 | |

| | |
|--------------------|--------------------|
| Group | FRAME |
| Code | 33.06 |
| Description | Saddle-Central bod |
| Service | 1 |



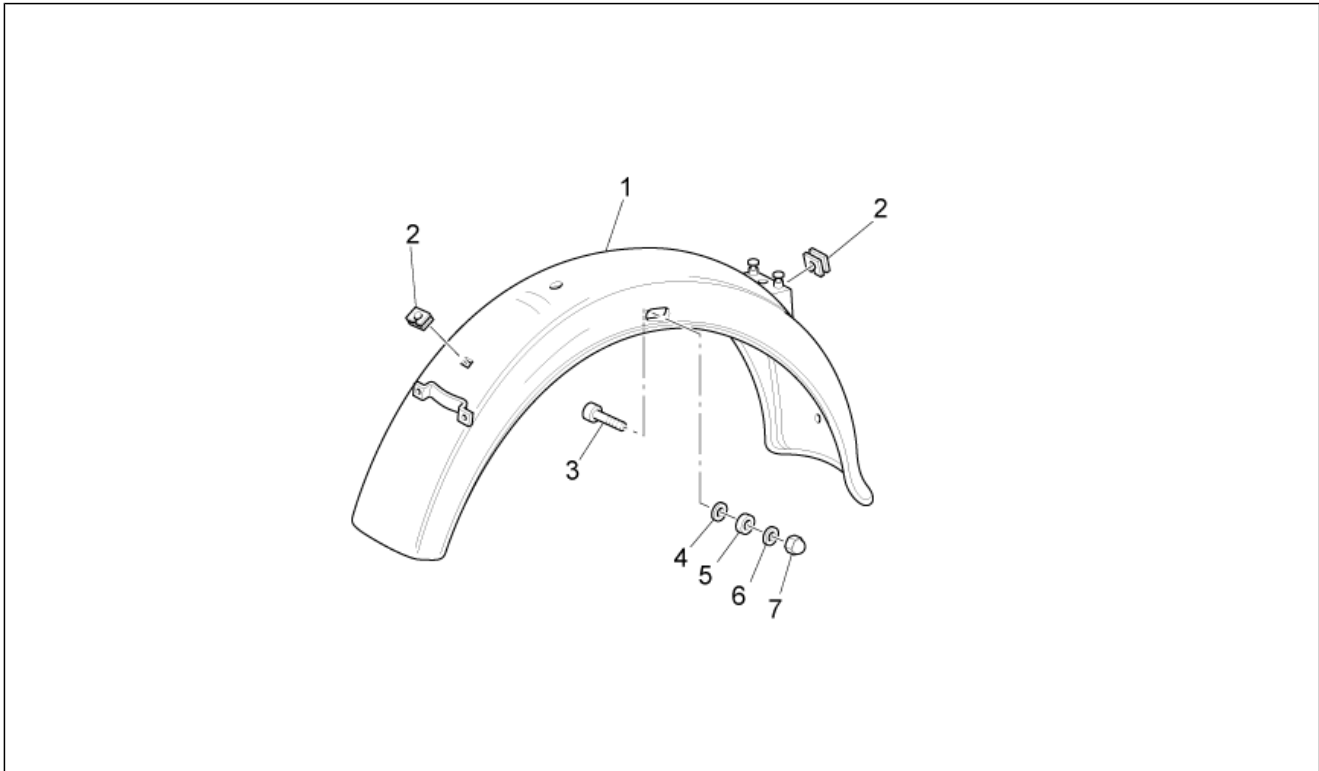
| Pos. | Code | Description | Qty | Variants |
|------|------------|-----------------------------|-----|--|
| 1 | 883113 | Saddle, black | 1 | Year:2009[9] Vehicle colour:Black Eagle 2009[b.eagle] |
| 2 | 88618800NG | RH side cover black | 1 | Year:2009[9] Vehicle colour:Black Eagle 2009[b.eagle] |
| 2 | GU03476206 | RH side cover blank | 1 | |
| 3 | GU98370616 | Hex socket screw M6x16 inox | 4 | |
| 4 | GU66478610 | Nylon washer 6X17X1 | 4 | |
| 5 | GU92660601 | Captive nut | 2 | |
| 6 | 88618900NG | LH side cover black | 1 | Year:2009[9] Vehicle colour:Black Eagle 2009[b.eagle] |
| 6 | GU03476306 | LH side cover blank | 1 | |
| 7 | GU03467347 | RH/LH bulkhead cover | 2 | Year:2009[9] Vehicle colour:Black Eagle 2009[b.eagle] |
| 8 | GU03461147 | Pin | 1 | |
| 9 | GU91180605 | Spacer | 1 | |
| 10 | GU92650036 | Flanged nut M6 | 1 | |
| 11 | GU98370616 | Hex socket screw M6x16 inox | 2 | |
| 12 | GU95005307 | Washer 6,4x11x0,8 | 2 | |
| 13 | 977192 | Rear handle | 1 | |
| 14 | GU98692430 | Hex socket screw M8x30 | 4 | |

| | |
|--------------------|----------------|
| Group | FRAME |
| Code | 33.07 |
| Description | Front mudguard |
| Service | 1 |



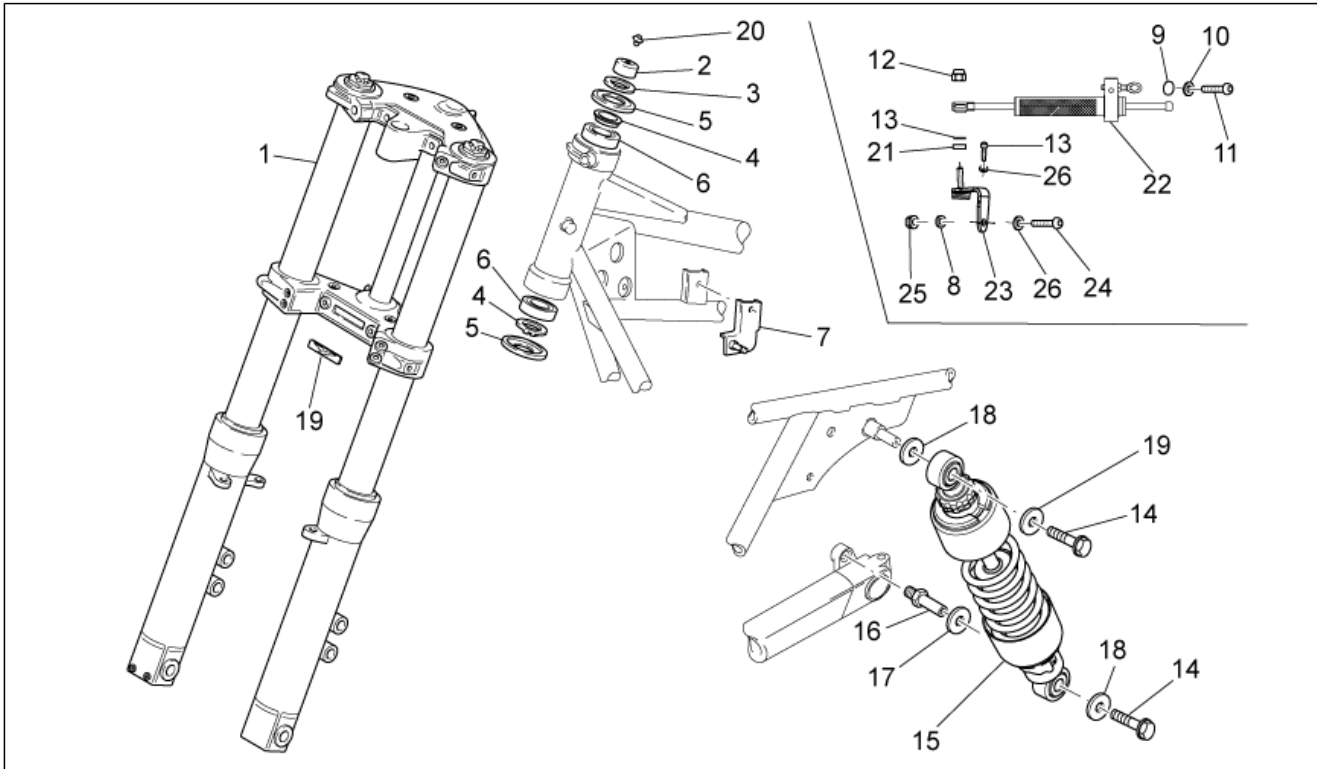
| Pos. | Code | Description | Qty | Variants |
|------|------------|-----------------------|-----|--|
| 1 | 88618700NG | Front mudguard, black | 1 | Year:2009[9] Vehicle colour:Black Eagle 2009[b.eagle] |
| 2 | GU03436645 | Stabilization plate | 1 | |
| 3 | GU98370850 | Hex socket screw | 4 | |
| 4 | GU95005308 | Washer 8,4x14,57x1,6 | 4 | |
| 5 | GU98370622 | Hex socket screw | 4 | |
| 6 | GU91551010 | Rubber spacer | 4 | |
| 7 | GU30576100 | Spacer D.6,5 | 4 | |
| 8 | GU03436400 | Rubber spacer | 2 | |
| 9 | GU03436500 | Cable-guide | 2 | |
| 10 | GU03436300 | Plate | 4 | |
| 11 | GU98082225 | Hex screw | 4 | |
| 12 | GU92787205 | Cap nut | 4 | |

| | |
|--------------------|---------------|
| Group | FRAME |
| Code | 33.08 |
| Description | Rear mudguard |
| Service | 1 |



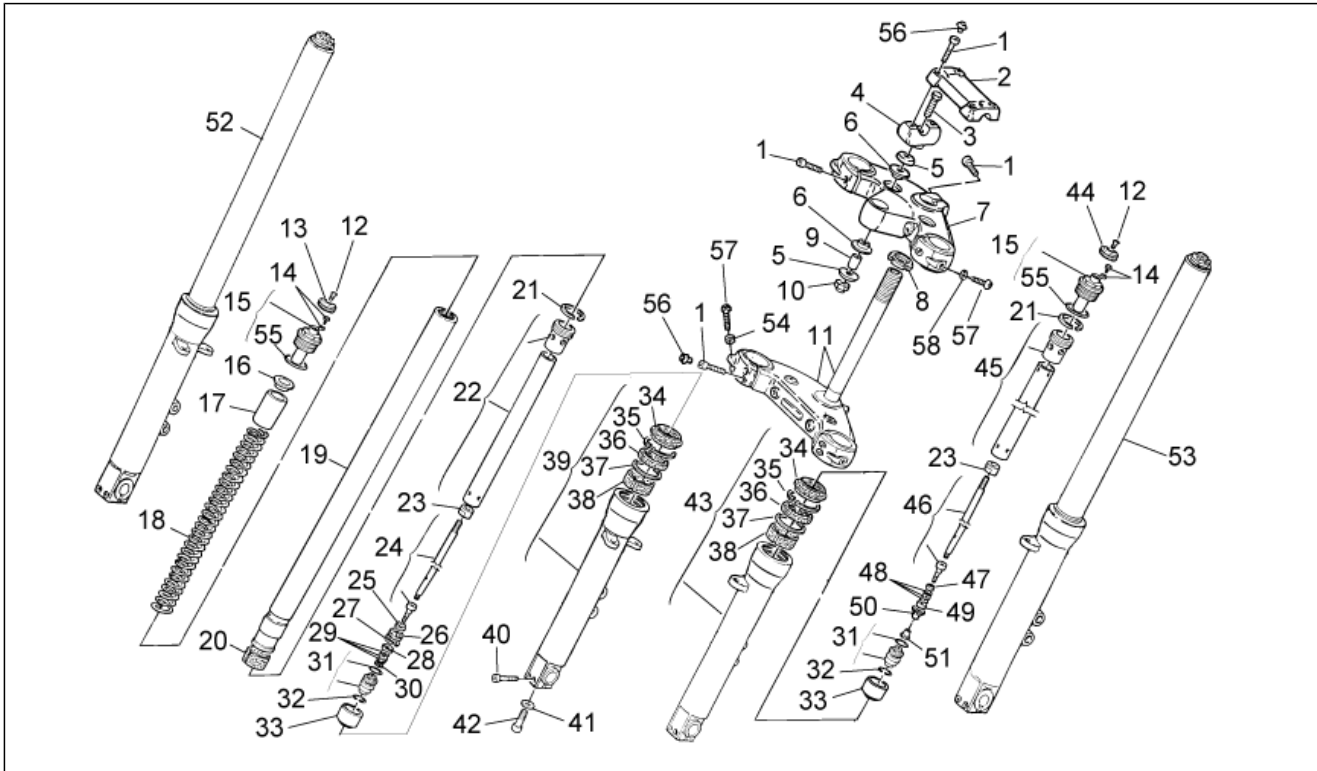
| Pos. | Code | Description | Qty | Variants |
|------|------------|----------------------|-----|--|
| 1 | 88317300NG | Rear mudguard, black | 1 | Year:2009[9] Vehicle colour:Black Eagle 2009[b.eagle] |
| 2 | GU91551099 | Rubber spacer | 2 | |
| 3 | GU98370850 | Hex socket screw | 2 | |
| 4 | GU14615901 | Washer 8,4X13X0,8 | 2 | |
| 5 | GU03435550 | Spacer | 2 | |
| 6 | GU95008208 | Washer 8,4X15X1,5 | 2 | |
| 7 | GU92787008 | Cap nut M8x1,25 | 2 | |

| | |
|--------------------|-------------------------|
| Group | FRAME |
| Code | 33.09 |
| Description | F.fork-R.shock absorber |
| Service | 1 |



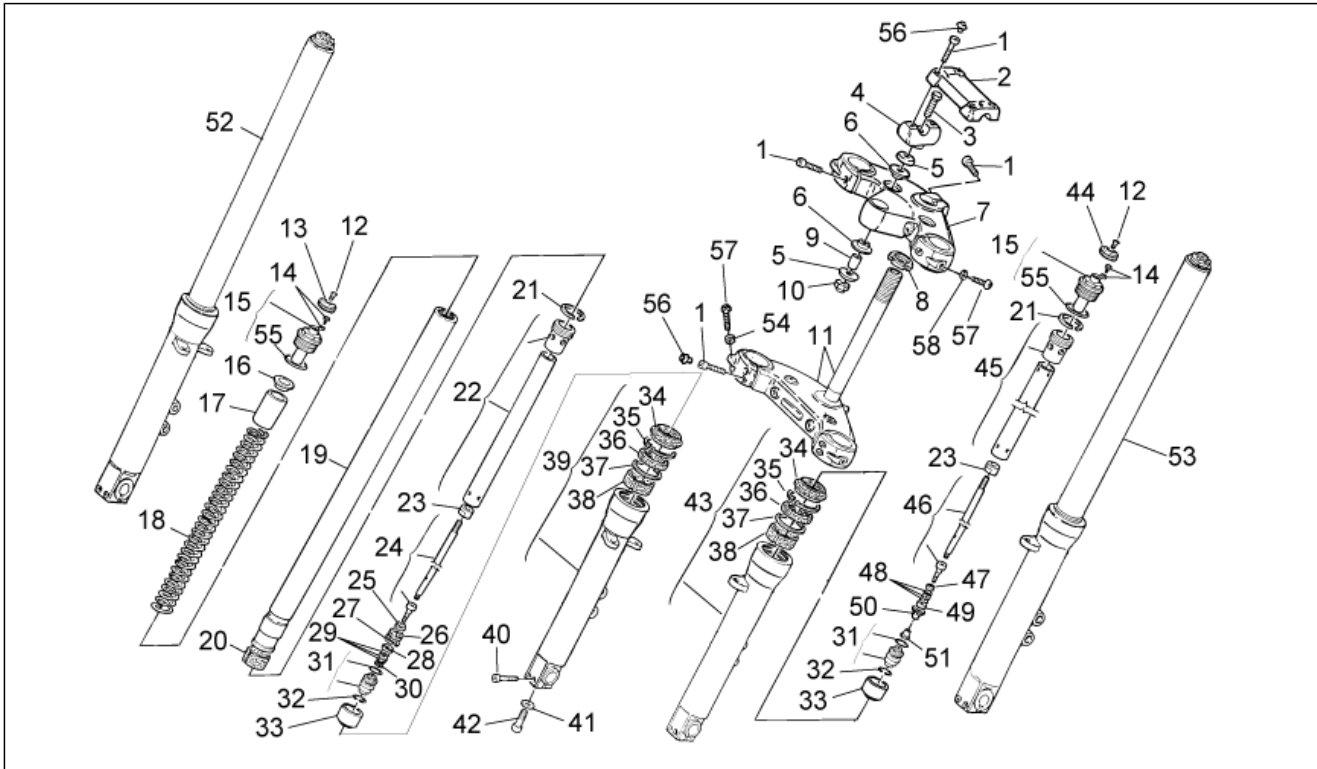
| Pos. | Code | Description | Qty | Variants |
|------|------------|--------------------------------|-----|----------|
| 1 | 977004 | Front fork | 1 | |
| 2 | GU30513401 | Head fixing nut | 1 | |
| 3 | GU30516500 | Washer | 1 | |
| 4 | GU14516700 | Clearance washer | 2 | |
| 5 | GU14517000 | Dust cover | 2 | |
| 6 | GU92249225 | Tap.roller bearing | 2 | |
| 7 | 977398 | plate | 1 | |
| 8 | GU95100121 | Washer 5,3x10x0,5 | 1 | |
| 9 | GU90706108 | O-ring | 1 | |
| 10 | GU91120620 | Spacer | 1 | |
| 11 | GU98370622 | Hex socket screw | 1 | |
| 12 | GU92787006 | Cap nut M6x1 | 1 | |
| 13 | GU14217901 | Washer 6,4x10x0,7 | 1 | |
| 14 | AP8152277 | Screw w/ flange M6x12 | 4 | |
| 15 | 977164 | Rear shock absorber SACHS | 2 | |
| 16 | GU03555250 | Rear swing arm pin | 1 | |
| 17 | GU95129240 | Washer | 2 | |
| 18 | GU95005330 | Washer 6,4x30x1,5 | 4 | |
| 19 | GU01517700 | Decal "Aquila" | 1 | |
| 20 | GU23943510 | Plug | 1 | |
| 21 | GU91180605 | Spacer | 1 | |
| 22 | 883155 | Steering shock absorber BITUBO | 1 | |
| 23 | 883157 | Shock absorber plate | 1 | |
| 24 | GU98370625 | Hex socket screw | 1 | |
| 25 | GU92630106 | Nut M6x1 | 1 | |
| 26 | GU03013800 | Washer 6,4x12 | 3 | |

| | |
|--------------------|------------|
| Group | FRAME |
| Code | 33.10 |
| Description | Front fork |
| Service | 1 |



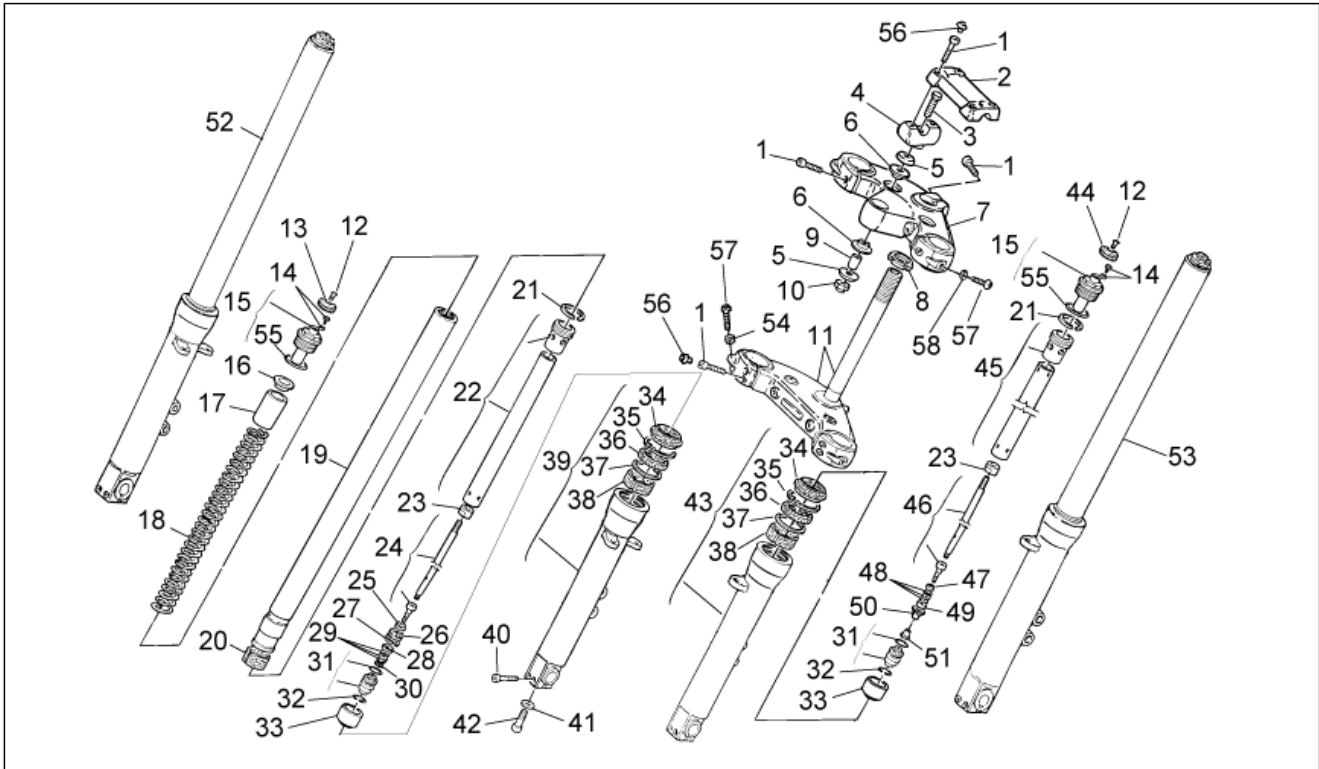
| Pos. | Code | Description | Qty | Variants |
|------|------------|----------------------------|-----|----------|
| 1 | GU98622430 | screw | 11 | |
| 2 | GU03500645 | U-bolt | 1 | |
| 3 | GU98052560 | screw M10x60 | 2 | |
| 4 | GU03500245 | Lower U-bolt | 4 | |
| 5 | GU27530505 | Cup | 4 | |
| 6 | AP8144222 | Rubber spacer | 4 | |
| 7 | GU03493145 | Fork head black | 1 | |
| 8 | GU03498100 | Ring nut | 1 | |
| 9 | GU91181039 | Spacer | 2 | |
| 10 | GU92630110 | Nut M10X1,5 | 2 | |
| 11 | GU03494045 | Fork base black | 1 | |
| 12 | GU03530504 | screw | 2 | |
| 13 | GU03530505 | RH adjustment knob rebound | 1 | |
| 14 | GU03530506 | Screw with OR | 2 | |
| 15 | GU03530507 | Plug cpl. | 2 | |
| 16 | GU03530508 | Cup | 2 | |
| 17 | GU03530509 | Preload tube | 2 | |
| 18 | GU03526600 | Spring | 2 | |
| 19 | GU03525400 | Sleeve | 2 | |
| 20 | GU03530510 | Lower bush | 2 | |
| 21 | GU03530511 | Ring | 2 | |
| 22 | GU03530512 | RH hub | 1 | |
| 23 | GU03530513 | Return nut | 2 | |
| 24 | GU03530514 | RH shock absorber | 1 | |
| 25 | GU03530515 | Return spring | 1 | |
| 26 | GU03530516 | RH piston rebound | 1 | |
| 27 | GU03530517 | RH piston segmentrebound | 1 | |
| 28 | GU03530518 | RH needle rebound | 1 | |

| | |
|--------------------|------------|
| Group | FRAME |
| Code | 33.10 |
| Description | Front fork |
| Service | 1 |



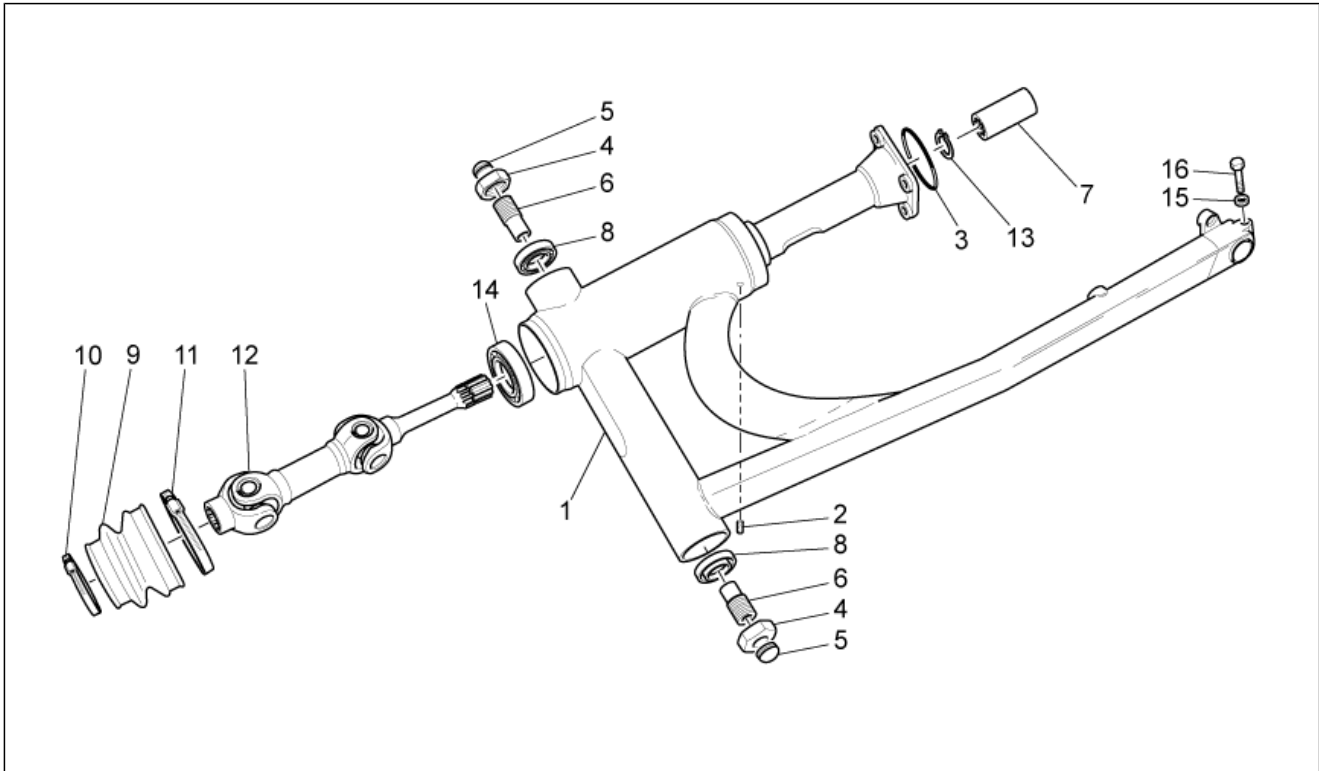
| Pos. | Code | Description | Qty | Variants |
|------|---------------|--------------------------|-----|----------|
| 29 | GU03530519 | Calibration blade | 5 | |
| 30 | GU03530520 | Nut | 1 | |
| 31 | GU03530521 | Stroke limit stop | 2 | |
| 32 | GU03530522 | O-ring | 2 | |
| 33 | GU03530523 | Adaptor | 2 | |
| 34 | GU03530524 | Dust cover | 2 | |
| 35 | GU03530525 | Stop ring | 2 | |
| 36 | AP8163095 | Gasket ring 45x58x11 | 2 | |
| 37 | GU03530527 | Cup | 2 | |
| 38 | GU03530528 | Upper bush | 2 | |
| 39 | GU03522501001 | RH sleeve | 1 | |
| 40 | GU98620340 | screw | 4 | |
| 41 | GU03530529 | Washer | 2 | |
| 42 | GU03530530 | screw M10x30 | 2 | |
| 43 | GU03522601001 | LH sleeve | 1 | |
| 44 | GU03530531 | LH adjustment knob comp. | 1 | |
| 45 | GU03530532 | LH hub | 1 | |
| 46 | GU03530533 | LH shock absorber | 1 | |
| 47 | GU03530534 | Cup | 1 | |
| 48 | GU03530535 | Calibration blade 12 mm | 1 | |
| 48 | GU03530536 | Calibration blade 15 mm | 1 | |
| 48 | GU03530537 | Calibration blade 17 mm | 1 | |
| 49 | GU03530538 | LH needle compression | 1 | |
| 50 | GU03530539 | LH piston compression | 1 | |
| 51 | GU03530540 | Nut | 1 | |
| 52 | GU03490611 | RH hub cpl. | 1 | |
| 53 | GU03490711 | LH hub cpl. | 1 | |
| 54 | GU95005306 | Washer 6,4x13x1,5 | 6 | |

| | |
|--------------------|------------|
| Group | FRAME |
| Code | 33.10 |
| Description | Front fork |
| Service | 1 |



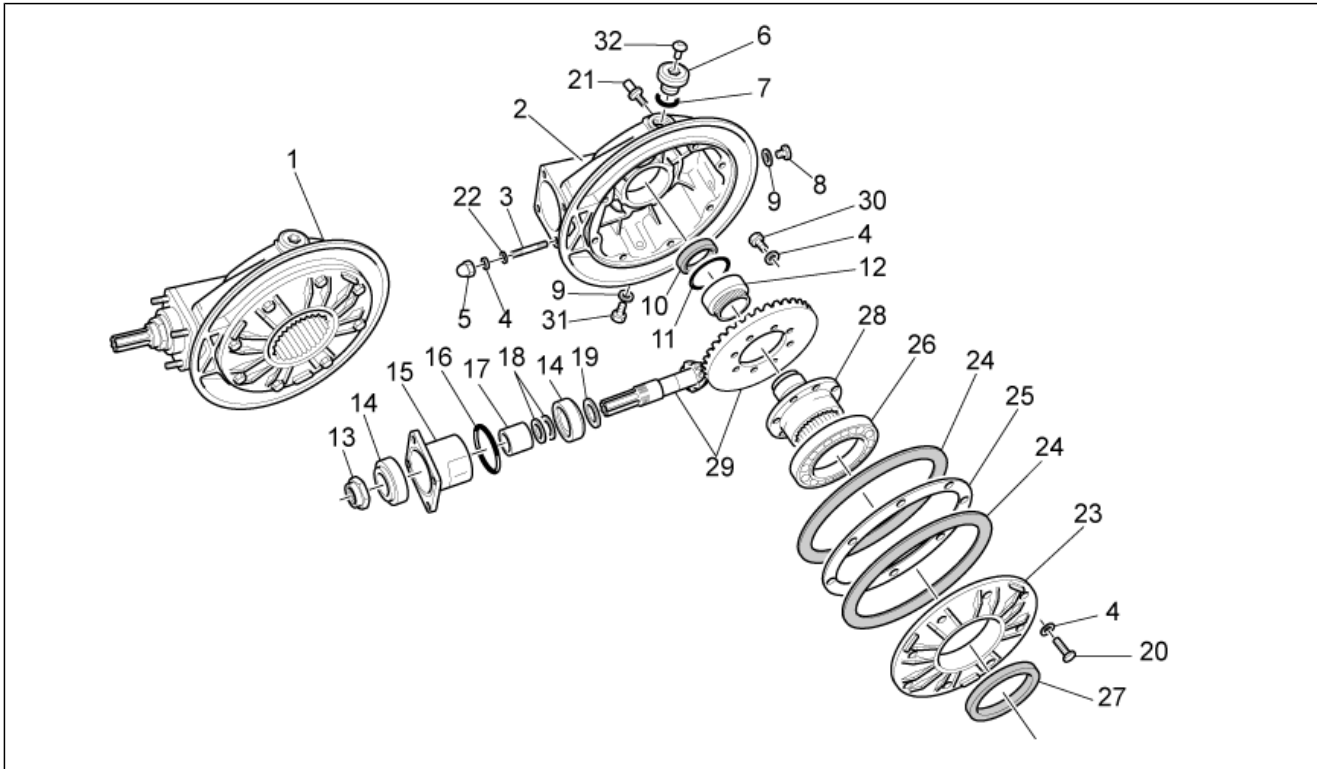
| Pos. | Code | Description | Qty | Variants |
|------|------------|------------------|-----|----------|
| 55 | GU30530561 | O-ring | 2 | |
| 56 | GU23943410 | Plug | 8 | |
| 57 | GU98370619 | Hex socket screw | 6 | |
| 58 | GU03526601 | Spring | 1 | |

| | |
|--------------------|-------------------------|
| Group | FRAME |
| Code | 33.11 |
| Description | Transmission complete I |
| Service | 1 |



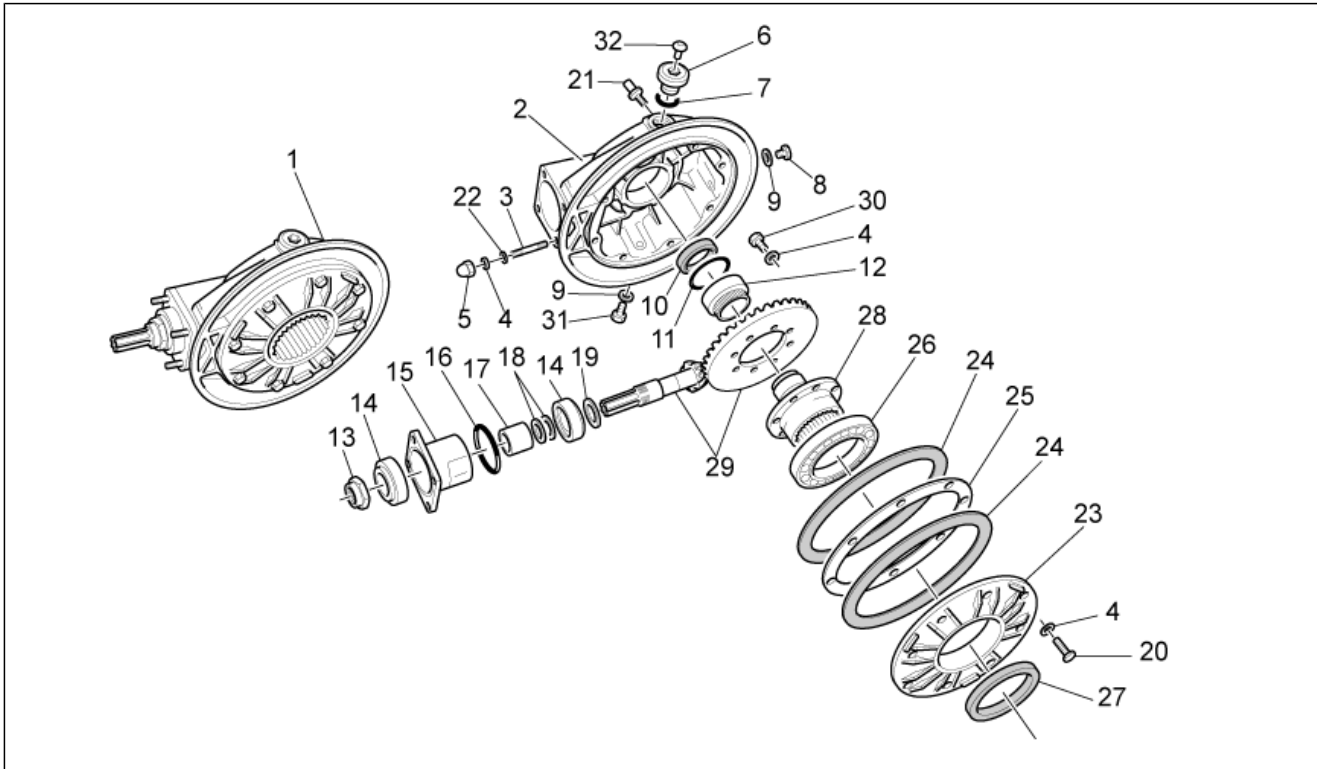
| Pos. | Code | Description | Qty | Variants |
|------|------------|-------------------------|-----|----------|
| 1 | GU03540255 | Swing arm | 1 | |
| 2 | GU98460105 | Dowel | 1 | |
| 3 | GU90706584 | Gasket 58,42x2,62 | 1 | |
| 4 | GU03547800 | Cap nut | 2 | |
| 5 | GU93180105 | Cover | 2 | |
| 6 | GU03547060 | Pin | 2 | |
| 7 | GU12327700 | Hose | 1 | |
| 8 | GU92249213 | Tap.roller bearing 17x4 | 2 | |
| 9 | GU18548000 | Protection collar | 1 | |
| 10 | GU93306050 | Clamp 50x90x9 | 1 | |
| 11 | GU93306070 | Clamp 70x90x9 | 1 | |
| 12 | GU03328050 | Double joint | 1 | |
| 13 | GU90271020 | Snap ring | 2 | |
| 14 | GU92204230 | Ball bearing 30x62x16 | 1 | |
| 15 | GU95008210 | Washer 10,2X18X2 | 1 | |
| 16 | GU98082540 | Hex screw M10x40 | 1 | |

| | |
|--------------------|--------------------------|
| Group | FRAME |
| Code | 33.12 |
| Description | Transmission complete II |
| Service | 1 |



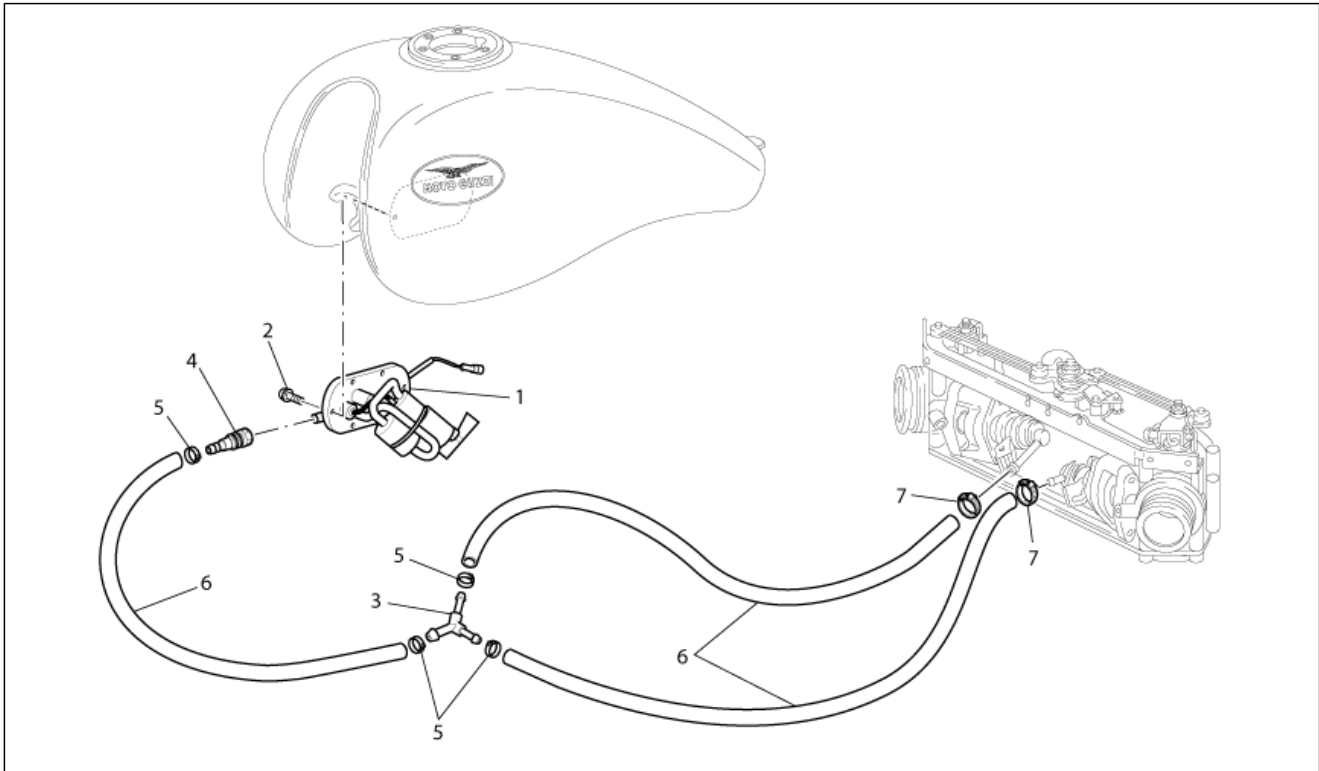
| Pos. | Code | Description | Qty | Variants |
|------|------------|-------------------------------|-----|----------|
| 1 | 976914 | Transmission box assy., black | 1 | |
| 2 | 977167 | Transmission housingblack | 1 | |
| 3 | GU96508045 | Stud bolt 8x46 | 4 | |
| 4 | GU14615901 | Washer 8,4X13X0,8 | 20 | |
| 5 | GU92787008 | Cap nut M8x1,25 | 4 | |
| 6 | GU12022600 | Oil plug | 1 | |
| 7 | GU90706203 | O-ring 20,24X2,62 | 1 | |
| 8 | GU95980214 | Oil level plug | 1 | |
| 9 | GU01528930 | Gasket 10x18x1,5 | 2 | |
| 10 | GU90413850 | Gasket ring 38X50X7 | 1 | |
| 11 | GU12351100 | Gasket ring | 1 | |
| 12 | GU92254340 | Roller bearing 40x55x17 | 1 | |
| 13 | GU30356760 | Nut | 1 | |
| 14 | GU92249227 | Tap.roller bearing 25x5 | 2 | |
| 15 | GU18352400 | Flange | 1 | |
| 16 | GU90706584 | Gasket 58,42x2,62 | 1 | |
| 17 | GU18355100 | Spacer | 1 | |
| 18 | GU12355202 | Shim 0,1 mm | 2 | |
| 18 | GU12355203 | Shim 0,15 mm | 2 | |
| 19 | GU19355320 | Spacer 1 mm | 2 | |
| 19 | GU19355321 | Spacer 1,1 mm | 2 | |
| 19 | GU19355322 | Spacer 1,2 mm | 2 | |
| 19 | GU19355323 | Spacer 1,3 mm | 2 | |
| 19 | GU19355324 | Spacer 1,4 mm | 2 | |
| 19 | GU19355325 | Spacer 1,5 mm | 2 | |
| 19 | GU19355326 | Spacer 1,6 mm | 2 | |
| 19 | GU19355327 | Spacer 1,7 mm | 2 | |
| 19 | GU19355328 | Spacer 1,8 mm | 2 | |

| | |
|--------------------|--------------------------|
| Group | FRAME |
| Code | 33.12 |
| Description | Transmission complete II |
| Service | 1 |



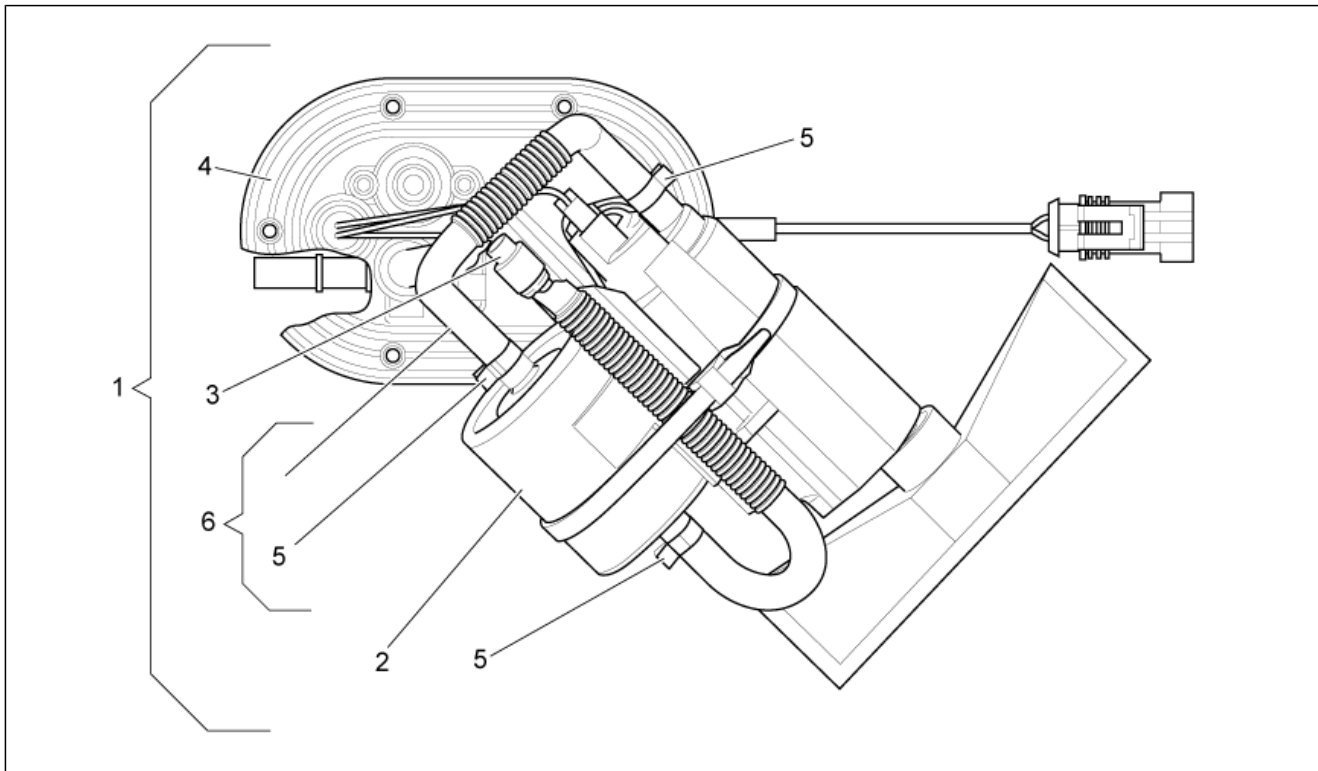
| Pos. | Code | Description | Qty | Variants |
|------|------------|------------------------|-----|----------|
| 19 | GU19355329 | Spacer 1,9 mm | 2 | |
| 20 | GU19357660 | screw | 8 | |
| 21 | GU03555250 | Rear swing arm pin | 1 | |
| 22 | GU95005308 | Washer 8,4x14,57x1,6 | 4 | |
| 23 | GU17350400 | Flange | 1 | |
| 24 | GU17350700 | Gasket | 2 | |
| 25 | GU17355400 | Spacer 0,8 mm | 1 | |
| 25 | GU17355402 | Spacer 0,9 mm | 1 | |
| 25 | GU17355404 | Spacer 1 mm | 1 | |
| 25 | GU17355406 | Spacer 1,1 mm | 1 | |
| 25 | GU17355408 | Spacer 1,2 mm | 1 | |
| 25 | GU17355410 | Spacer 1,3 mm | 1 | |
| 25 | GU17355412 | Spacer 1,5 mm | 1 | |
| 26 | GU92201070 | Ball bearing 70x110x13 | 1 | |
| 27 | GU90417085 | Gasket ring 70X85X8 | 1 | |
| 28 | GU03351450 | Drive flange | 1 | |
| 29 | GU30354602 | Bevel gear 8/33 | 1 | |
| 30 | GU12356300 | screw | 8 | |
| 31 | GU31003766 | Oil unload plug M10x1 | 1 | |
| 32 | GU93180245 | Cover | 1 | |

| | |
|--------------------|-------------|
| Group | FRAME |
| Code | 33.13 |
| Description | Fuel supply |
| Service | 1 |



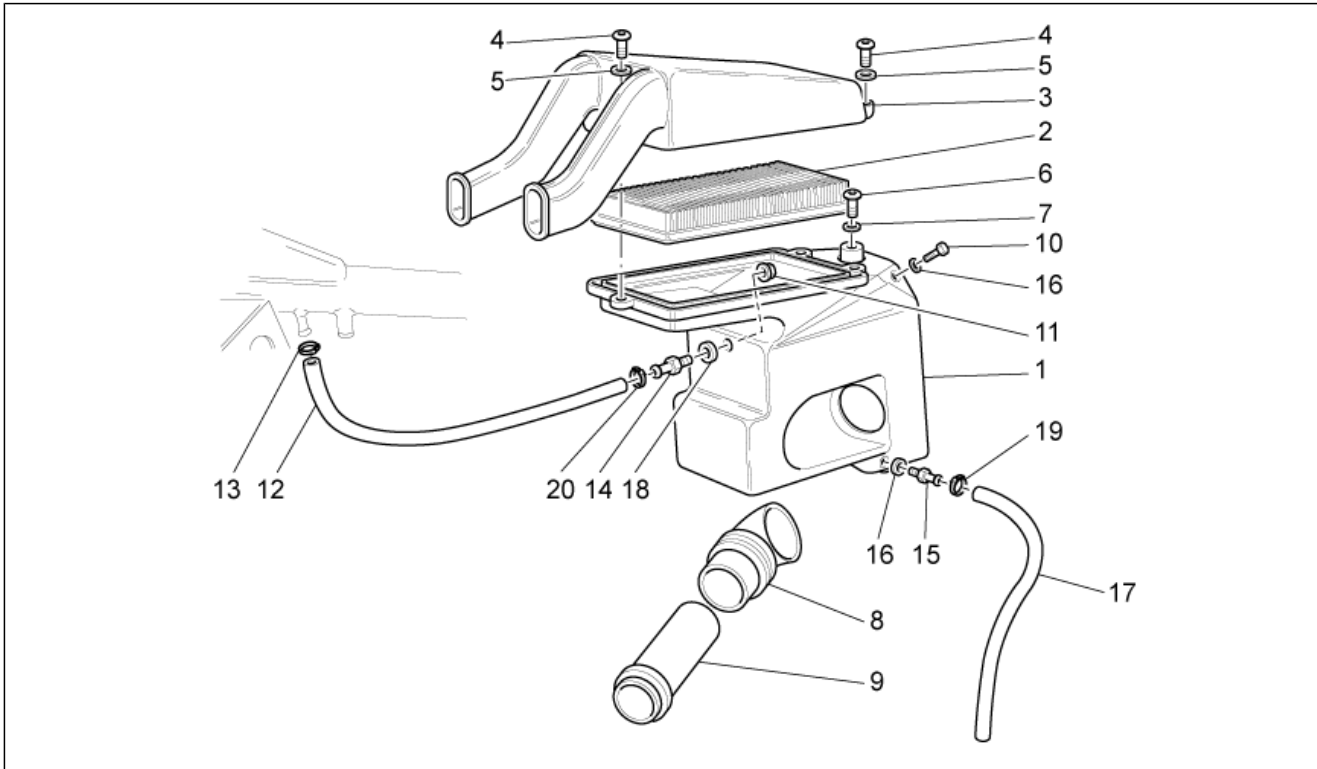
| Pos. | Code | Description | Qty | Variants |
|------|---------------|------------------------|-----|---|
| 1 | 978826 | Fuel pump cpl. | 1 | |
| 2 | AP8152273 | Screw w/ flange M5x16 | 6 | |
| 3 | GU29106860 | 3-way union | 1 | |
| 4 | GU01106692 | Joint | 1 | |
| 5 | GU28157950 | Hose clip 12,5x8 | 4 | |
| 6 | 856064 | pipe SAE 30 d.14,3x7,9 | 1 | Country: United States of America[USA] |
| 6 | GU00823952080 | Fuel pipe SAEJ30R9 | 1 | |
| 7 | GU93306017 | Hose clamp | 2 | |

| | |
|--------------------|-----------|
| Group | FRAME |
| Code | 33.14 |
| Description | Fuel pump |
| Service | 1 |



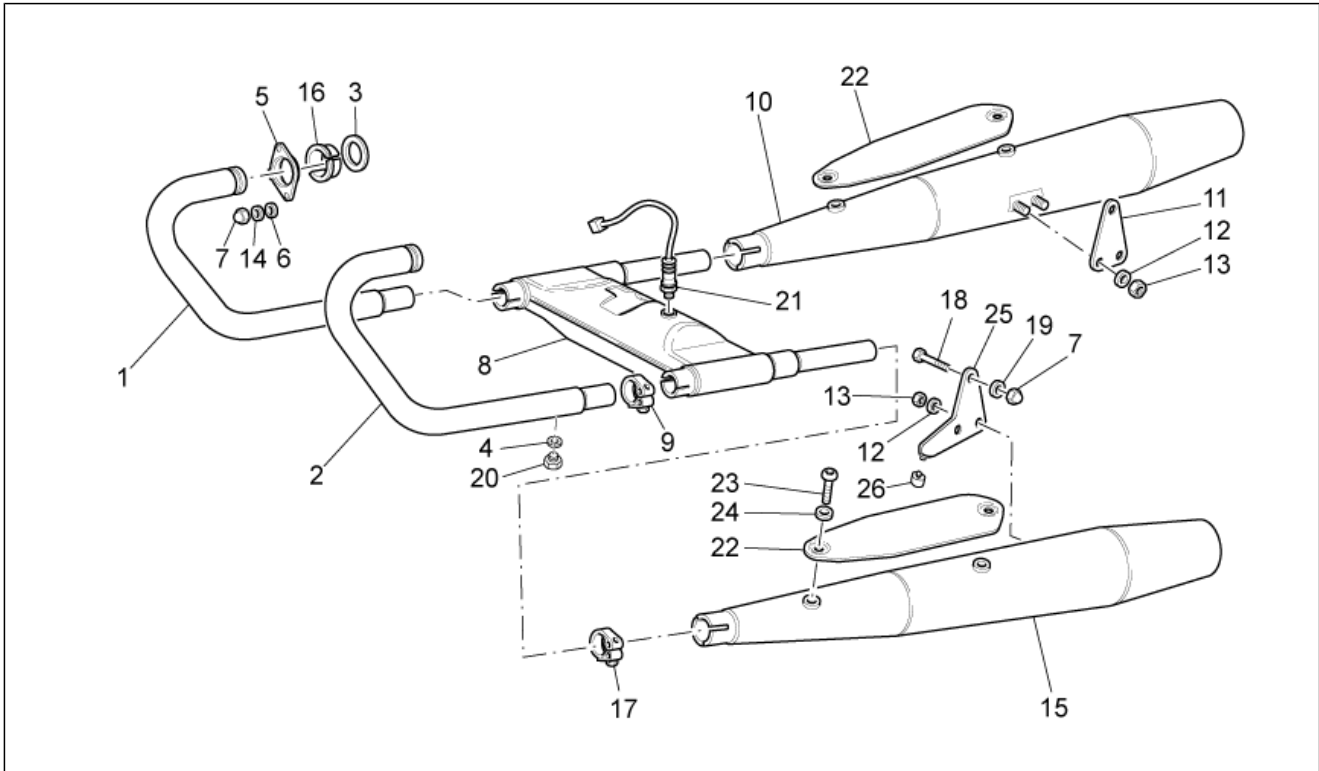
| Pos. | Code | Description | Qty | Variants |
|------|------------|-----------------|-----|----------|
| 1 | 978826 | Fuel pump cpl. | 1 | |
| 2 | GU01106090 | Fuel filter | 1 | |
| 3 | GU03103070 | Thermistor | 1 | |
| 4 | GU01107490 | Gasket | 1 | |
| 5 | GU01108490 | Hose clamp 11,3 | 4 | |
| 6 | GU03106170 | Fuel pipe | 1 | |

| | |
|--------------------|---------|
| Group | FRAME |
| Code | 33.15 |
| Description | Air box |
| Service | 1 |



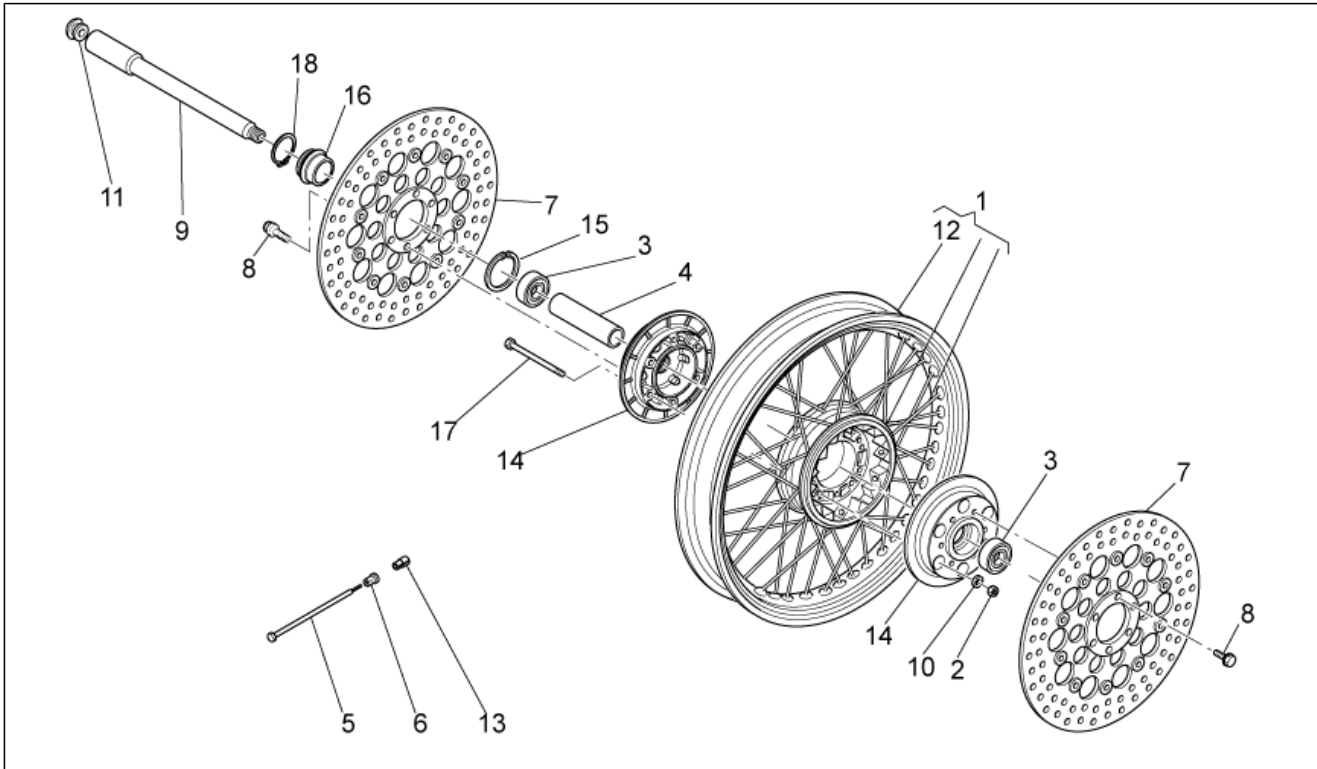
| Pos. | Code | Description | Qty | Variants |
|------|---------------|----------------------------|-----|----------|
| 1 | 978312 | Air box | 1 | |
| 2 | GU30113600 | Air filter | 1 | |
| 3 | GU30113460 | Filter cover | 1 | |
| 4 | GU98680230 | Hex socket screw M5x30 | 3 | |
| 5 | GU95100059 | Washer 5,25x14x1,5 | 3 | |
| 6 | GU98350312 | Hex socket screw M6x12 | 1 | |
| 7 | GU03013800 | Washer 6,4x12 | 2 | |
| 8 | GU30114660 | Joint | 2 | |
| 9 | GU30114560 | Hand cone-type | 2 | |
| 10 | GU98350210 | Hex socket screw | 1 | |
| 11 | GU92660208 | Nut | 1 | |
| 12 | GU00823956080 | Rubber pipe 12,5X7,8 5/16" | 1 | |
| 13 | GU93306017 | Hose clamp | 1 | |
| 14 | GU29116960 | Joint | 1 | |
| 15 | GU29115860 | Joint | 1 | |
| 16 | GU90714053 | Gasket | 2 | |
| 17 | GU00823944050 | pipe 5X9 | 1 | |
| 18 | GU90714082 | Gasket | 1 | |
| 19 | GU28157950 | Hose clip 12,5x8 | 1 | |
| 20 | GU14609650 | Hose clamp 3,6x20,6 | 1 | |

| | |
|--------------------|--------------|
| Group | FRAME |
| Code | 33.16 |
| Description | Exhaust unit |
| Service | 1 |



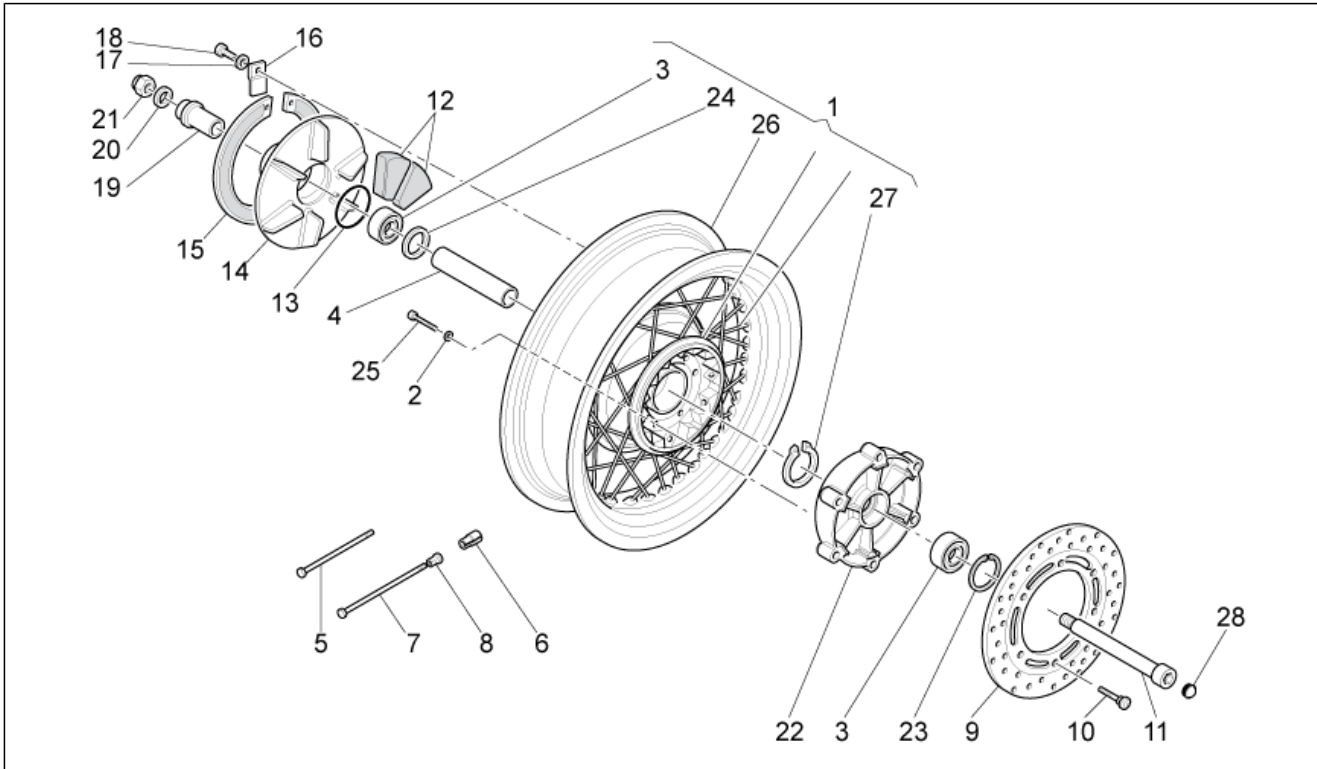
| Pos. | Code | Description | Qty | Variants |
|------|------------|-------------------------|-----|----------|
| 1 | 976066 | RH exhaust pipe | 1 | |
| 2 | 976067 | LH exhaust pipe | 1 | |
| 3 | GU90718370 | Gasket | 2 | |
| 4 | GU30109330 | Gasket | 2 | |
| 5 | GU01121030 | Flange | 2 | |
| 6 | GU14615901 | Washer 8,4X13X0,8 | 4 | |
| 7 | GU92787008 | Cap nut M8x1,25 | 6 | |
| 8 | GU03123955 | Expansion chamber | 1 | |
| 9 | GU03123470 | Hose clamp | 2 | |
| 10 | GU03123065 | RH silencer | 1 | |
| 11 | 977376 | RH plate | 1 | |
| 12 | GU95008208 | Washer 8,4X15X1,5 | 4 | |
| 13 | GU92640508 | Nut M8 | 4 | |
| 14 | GU95005311 | Washer | 4 | |
| 15 | GU03122965 | LH silencer | 1 | |
| 16 | GU03121230 | Half-cone | 4 | |
| 17 | GU03123471 | Hose clamp | 2 | |
| 18 | GU98082435 | Hex screw M8x35 | 2 | |
| 19 | GU03270300 | Washer 8,4x15 | 2 | |
| 20 | GU98110007 | Cover | 2 | |
| 21 | GU32727010 | Lamda sensor | 1 | |
| 22 | GU03121955 | Exhaust pipe heat prot. | 2 | |
| 23 | GU98210610 | screw | 4 | |
| 24 | AP8120870 | Insulating washer | 4 | |
| 25 | 977779 | LH plate | 1 | |
| 26 | AP8144487 | Pad M6x10-25x15 | 1 | |

| | |
|--------------------|-------------|
| Group | FRAME |
| Code | 33.17 |
| Description | Front wheel |
| Service | 1 |



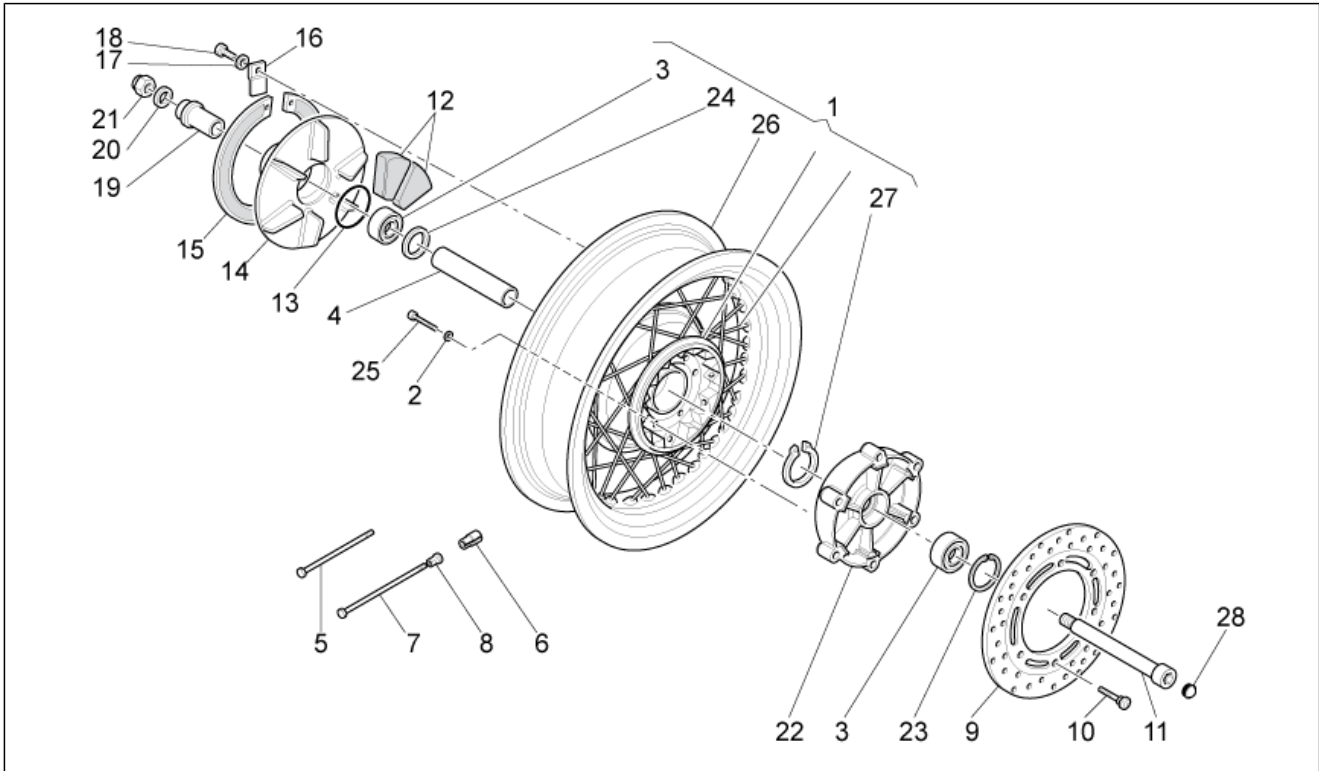
| Pos. | Code | Description | Qty | Variants |
|------|------------|-----------------------|-----|----------|
| 1 | GU03610340 | Front wheel 2,50x18" | 1 | |
| 2 | GU92640508 | Nut M8 | 6 | |
| 3 | GU92204220 | Ball bearing 20X47X14 | 2 | |
| 4 | GU29615260 | Spacer | 1 | |
| 5 | GU03611640 | Spoke | 40 | |
| 6 | GU03611750 | Nipples | 40 | |
| 7 | 977024 | Front brake disc | 2 | |
| 8 | AP8152286 | Screw w/ flange M8x20 | 12 | |
| 9 | 977153 | Front wheel spindle | 1 | |
| 10 | GU14615901 | Washer 8,4X13X0,8 | 6 | |
| 11 | GU93180111 | Cover 15 mm | 1 | |
| 12 | GU03610840 | Front wheel 2,50x18" | 1 | |
| 13 | GU12616101 | Counterweight 15 gr. | 1 | |
| 13 | GU12616102 | Counterweight 20 g | 1 | |
| 13 | GU12616103 | Counterweight 30 g | 1 | |
| 14 | GU03620340 | Flange | 2 | |
| 15 | GU90272047 | Circlip 47X50,5 | 1 | |
| 16 | 977034 | RH spacer | 1 | |
| 17 | GU98082480 | screw M8x80 | 6 | |
| 18 | GU90271026 | Circlip 26x24,2 | 1 | |

| | |
|--------------------|------------|
| Group | FRAME |
| Code | 33.18 |
| Description | Rear wheel |
| Service | 1 |



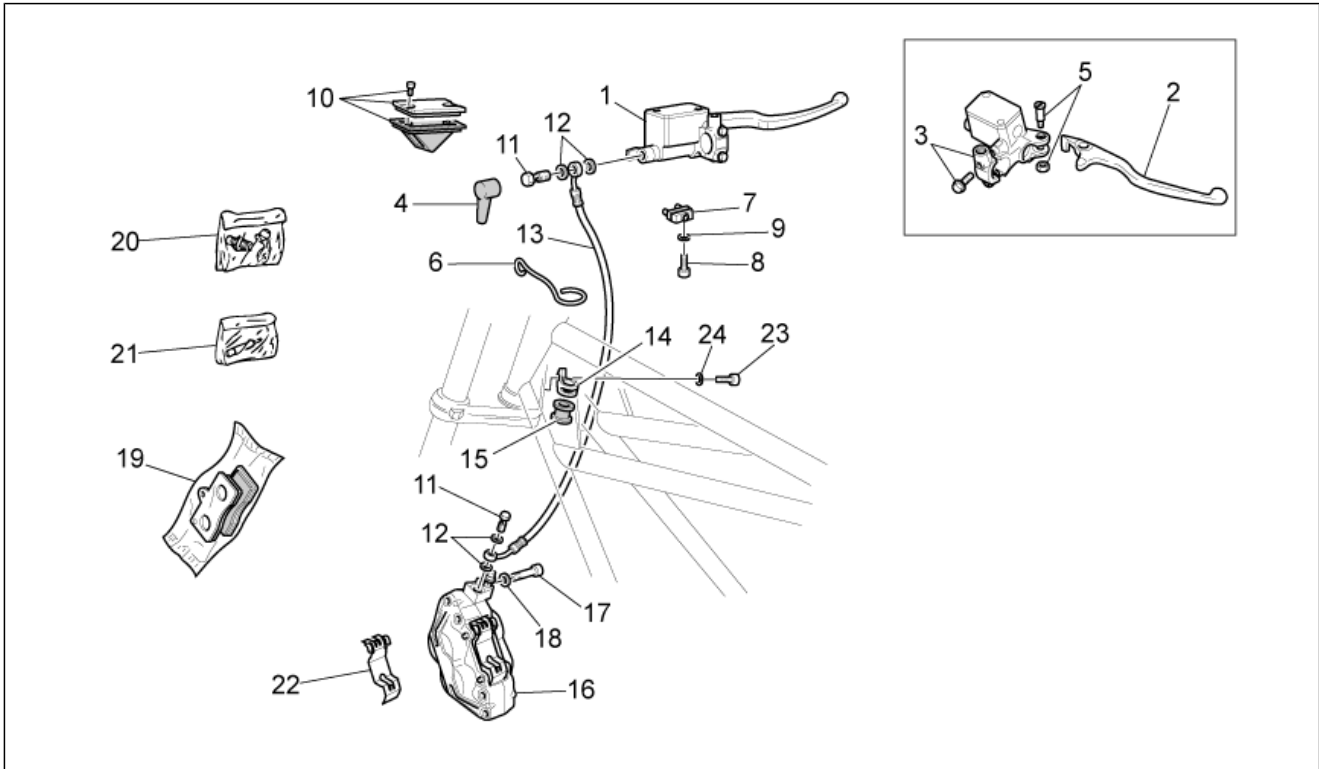
| Pos. | Code | Description | Qty | Variants |
|------|------------|----------------------------|-----|----------|
| 1 | GU03630650 | Rear wheel 3,50x17" | 1 | |
| 2 | GU14615901 | Washer 8,4X13X0,8 | 6 | |
| 3 | GU92204220 | Ball bearing 20X47X14 | 2 | |
| 4 | GU14634051 | Spacer | 1 | |
| 5 | GU30631160 | Short spoke | 20 | |
| 6 | GU12616101 | Counterweight 15 gr. | 1 | |
| 6 | GU12616102 | Counterweight 20 g | 1 | |
| 6 | GU12616103 | Counterweight 30 g | 1 | |
| 7 | GU30631430 | Long spoke | 20 | |
| 8 | GU03631250 | Nipples | 40 | |
| 9 | GU01635700 | Rear brake disc, black | 1 | |
| 10 | GU30611460 | screw | 6 | |
| 11 | GU03633370 | Rear wheel spindle | 1 | |
| 12 | GU03336811 | Primary drive / Cush drive | 12 | |
| 13 | GU90706490 | O-ring | 1 | |
| 14 | GU30335260 | Flexible coupling disc | 1 | |
| 15 | GU14335303 | Snap ring | 1 | |
| 16 | GU17335950 | Plate | 1 | |
| 17 | GU03013800 | Washer 6,4x12 | 1 | |
| 18 | GU98084312 | Hex screw M6x12 | 1 | |
| 19 | GU03634150 | Spacer | 1 | |
| 20 | GU95008219 | Washer 19x34x3 | 1 | |
| 21 | GU92630719 | Nut M18 | 1 | |
| 22 | GU03632440 | Plate holder hub | 1 | |
| 23 | GU90272047 | Circlip 47X50,5 | 1 | |
| 24 | GU17633550 | Cup | 1 | |
| 25 | GU98822430 | screw M8x30 | 6 | |
| 26 | GU03630740 | Rear wheel 3,50x17" | 1 | |

| | |
|--------------------|------------|
| Group | FRAME |
| Code | 33.18 |
| Description | Rear wheel |
| Service | 1 |



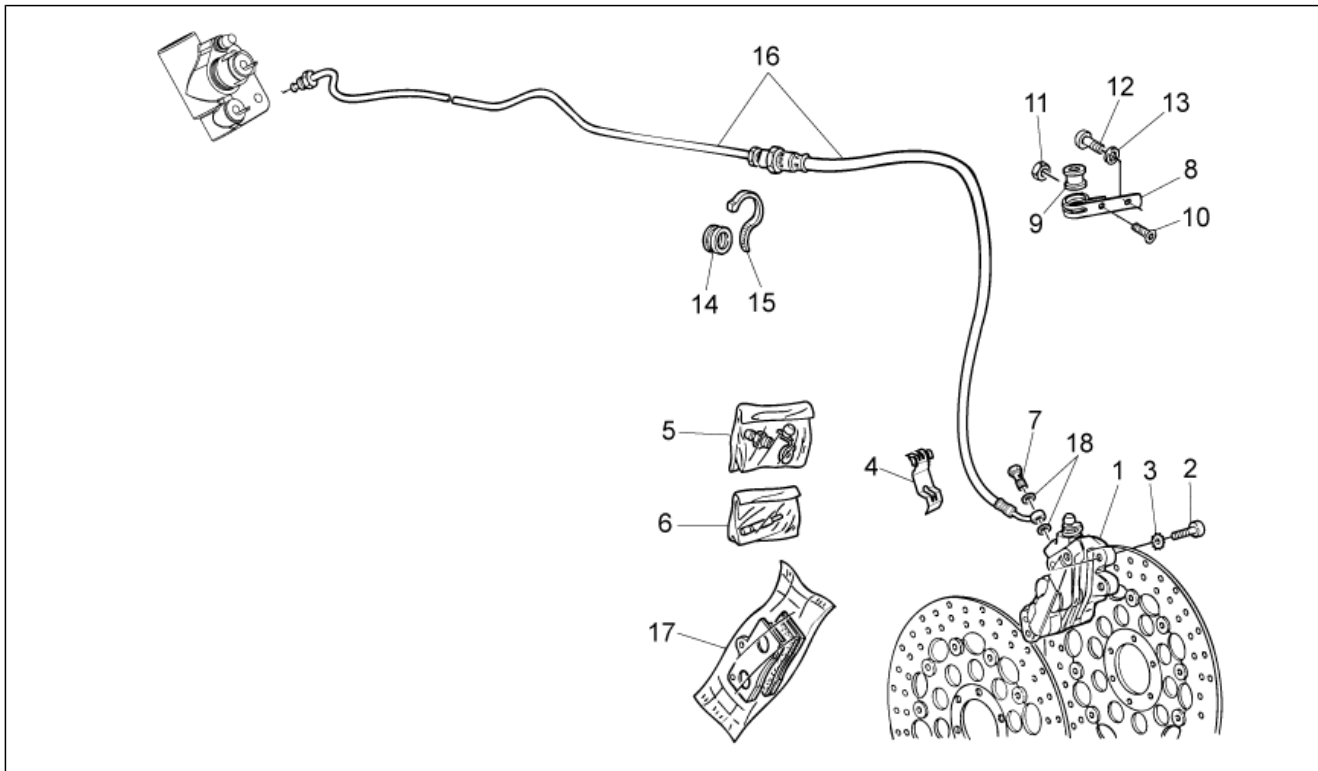
| Pos. | Code | Description | Qty | Variants |
|------|------------|-------------|-----|----------|
| 27 | GU90271055 | Circlip | 1 | |
| 28 | GU93180111 | Cover 15 mm | 1 | |

| | |
|--------------------|-----------------------|
| Group | FRAME |
| Code | 33.19 |
| Description | RH Front brake system |
| Service | 1 |



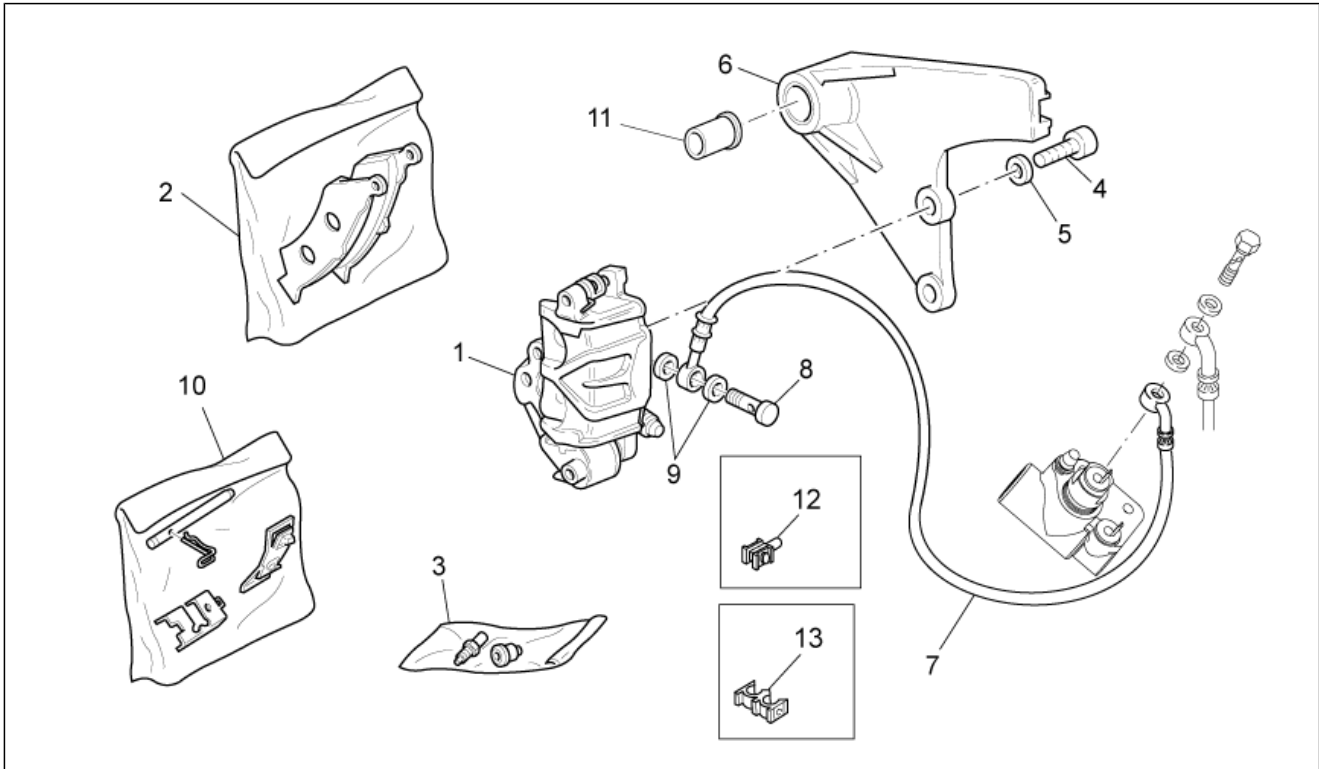
| Pos. | Code | Description | Qty | Variants |
|------|------------|-------------------------------|-----|----------|
| 1 | GU03660145 | Front master cilinder | 1 | |
| 2 | GU03605645 | Brake lever | 1 | |
| 3 | GU03664045 | U-bolt | 1 | |
| 4 | GU39663801 | Cap | 1 | |
| 5 | GU03604845 | Lever pin | 1 | |
| 6 | GU03659700 | Cable-guide | 1 | |
| 7 | GU03749845 | Stop switch | 1 | |
| 8 | GU98370412 | Hex socket screw M4x12 | 1 | |
| 9 | GU95021204 | Washer | 1 | |
| 10 | GU03661145 | Pump cover | 1 | |
| 11 | GU95990028 | Oil pipe screw * | 2 | |
| 12 | GU25656100 | Gasket | 4 | |
| 13 | GU03657101 | Flexible pipe | 1 | |
| 14 | GU03658430 | Hose clamp | 1 | |
| 15 | GU03658201 | Ring | 1 | |
| 16 | 977168 | RH front brake caliper, black | 1 | |
| 17 | GU98683530 | screw M10x30 | 2 | |
| 18 | GU19149800 | Washer 10,5x16x1 | 2 | |
| 19 | GU01654630 | Pads pair | 1 | |
| 20 | GU05659230 | Bleeder+cap | 1 | |
| 21 | GU01659130 | Pins+Caliper springs | 1 | |
| 22 | GU01659131 | Spring | 1 | |
| 23 | GU98370619 | Hex socket screw | 1 | |
| 24 | GU95005307 | Washer 6,4x11x0,8 | 1 | |

| | |
|--------------------|-----------------------|
| Group | FRAME |
| Code | 33.20 |
| Description | LH Front brake system |
| Service | 1 |



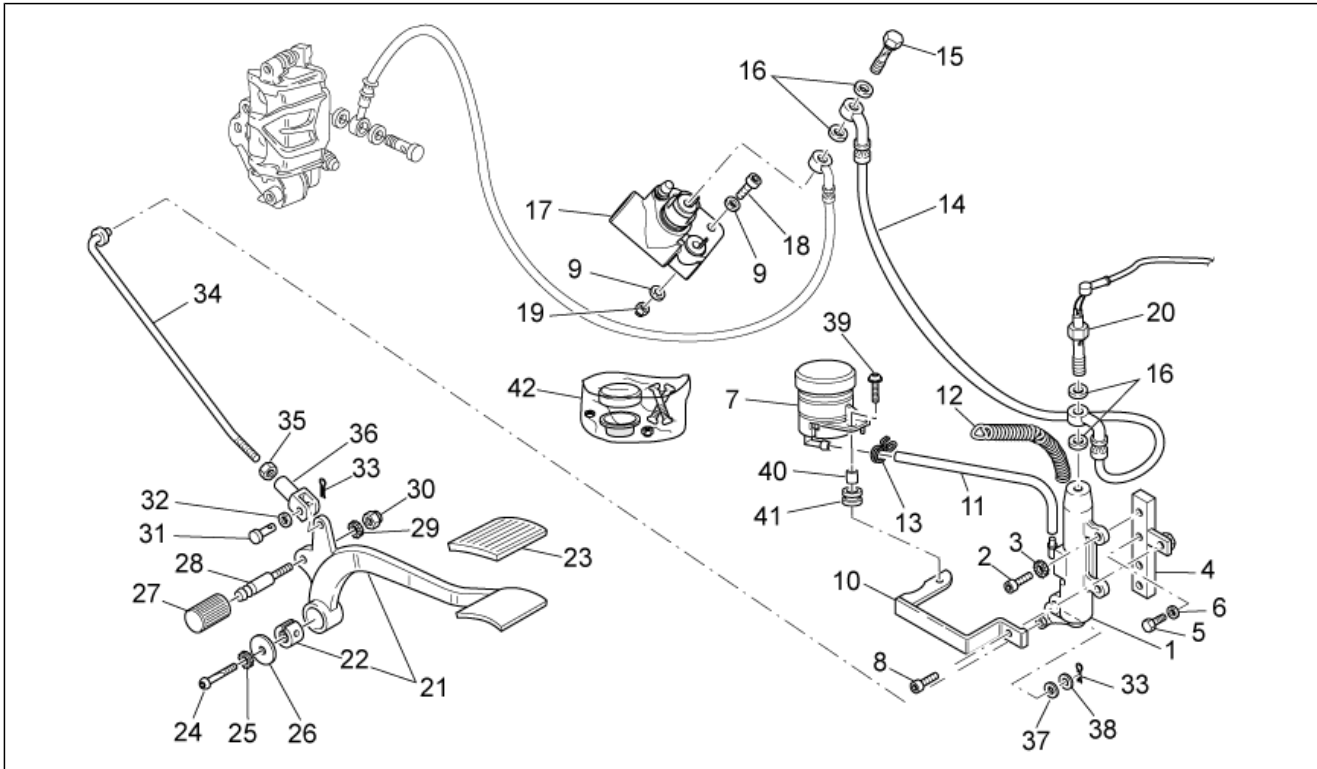
| Pos. | Code | Description | Qty | Variants |
|------|------------|-------------------------------|-----|----------|
| 1 | 977169 | LH front brake caliper, black | 1 | |
| 2 | GU98683530 | screw M10x30 | 2 | |
| 3 | GU19149800 | Washer 10,5x16x1 | 2 | |
| 4 | GU01659131 | Spring | 1 | |
| 5 | GU05659230 | Bleeder+cap | 2 | |
| 6 | GU01659130 | Pins+Caliper springs | 2 | |
| 7 | AP8133594 | Oil pipe screw | 1 | |
| 8 | GU03658330 | Hose clamp | 1 | |
| 9 | GU03658201 | Ring | 1 | |
| 10 | GU98257410 | screw | 1 | |
| 11 | GU92630104 | Nut M4x0,7 | 1 | |
| 12 | GU98350315 | Hex socket screw M6x14 | 1 | |
| 13 | GU03013800 | Washer 6,4x12 | 1 | |
| 14 | GU91551120 | Ring | 1 | |
| 15 | GU14609650 | Hose clamp 3,6x20,6 | 1 | |
| 16 | 977369 | Pipe | 1 | |
| 17 | GU01654630 | Pads pair | 2 | |
| 18 | GU25656100 | Gasket | 4 | |

| | |
|--------------------|--------------------|
| Group | FRAME |
| Code | 33.21 |
| Description | Rear brake caliper |
| Service | 1 |



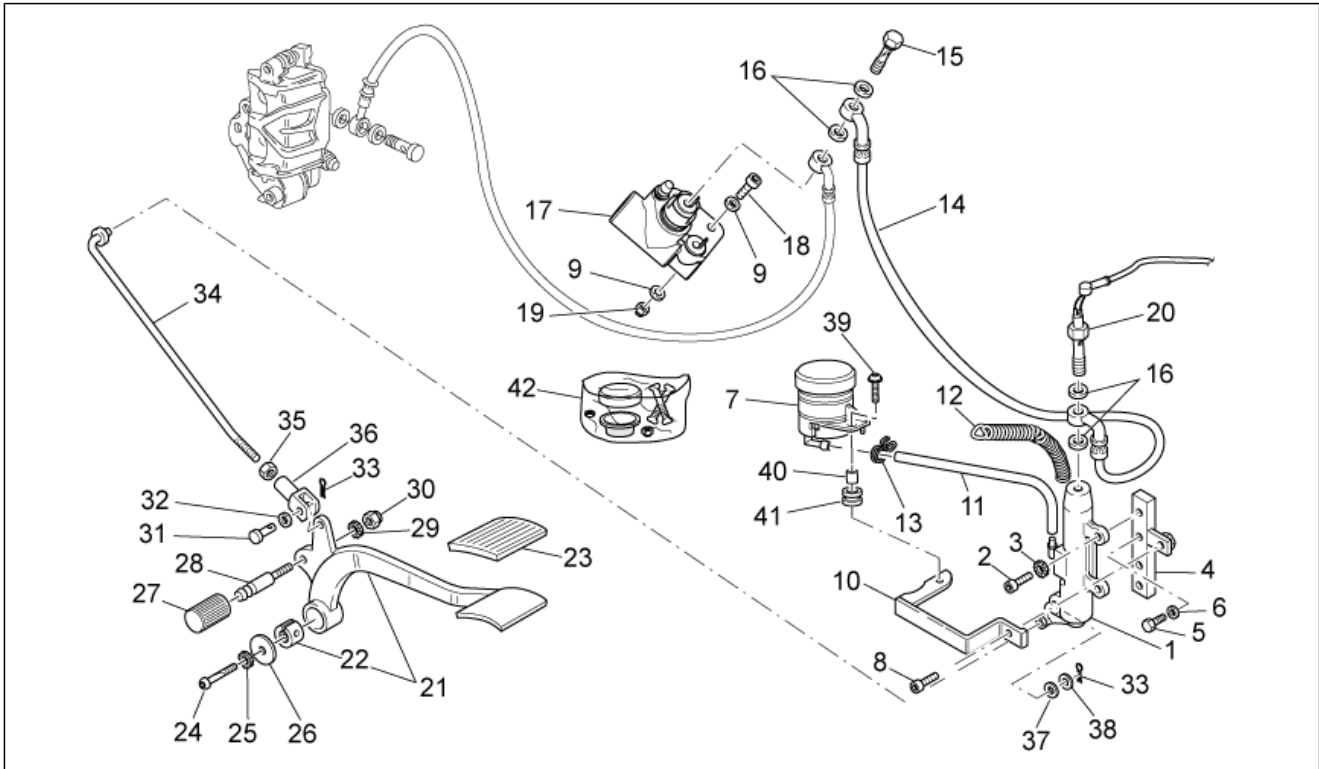
| Pos. | Code | Description | Qty | Variants |
|------|------------|---------------------------|-----|----------|
| 1 | 977171 | Rear brake caliper, black | 1 | |
| 2 | AP8113627 | Pads pair | 1 | |
| 3 | AP8133502 | Air bleed valve | 1 | |
| 4 | GU98682530 | Hex socket screw M10x30 | 2 | |
| 5 | GU19149800 | Washer 10,5x16x1 | 2 | |
| 6 | GU03635851 | Brake hanger plate | 1 | |
| 7 | 977367 | Brake hose | 1 | |
| 8 | AP8133594 | Oil pipe screw | 1 | |
| 9 | GU25656100 | Gasket | 2 | |
| 10 | AP8113999 | Pins+Caliper springs | 2 | |
| 11 | GU03634850 | Spacer | 1 | |
| 12 | AP8202238 | Cable-guide hook | 1 | |
| 13 | AP8201808 | Cable-guide D8 | 1 | |

| | |
|--------------------|----------------------|
| Group | FRAME |
| Code | 33.22 |
| Description | Rear master cylinder |
| Service | 1 |



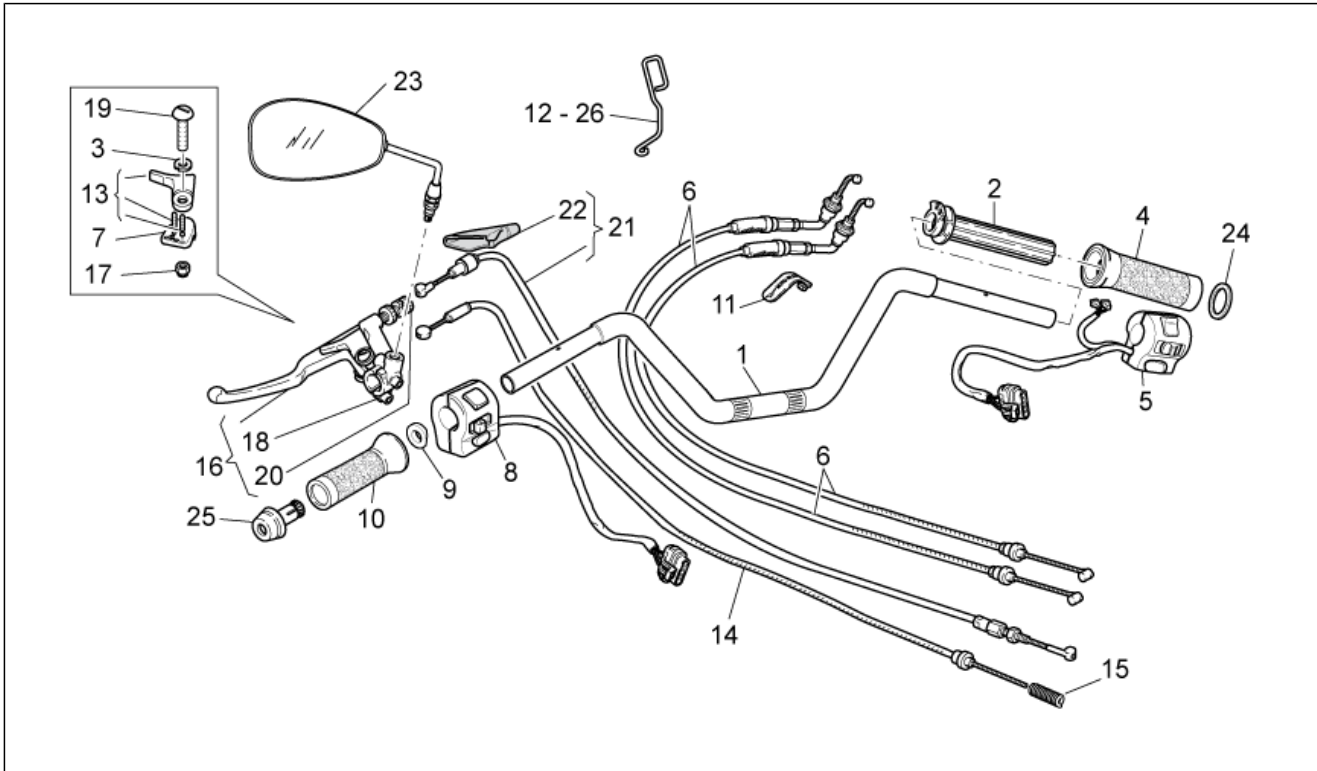
| Pos. | Code | Description | Qty | Variants |
|------|---------------|------------------------------|-----|----------|
| 1 | GU31666990 | Rear master cylinder | 1 | |
| 2 | GU98682320 | Hex socket screw M6x20 | 2 | |
| 3 | GU14217901 | Washer 6,4x10x0,7 | 2 | |
| 4 | 977468 | Support plate | 1 | |
| 5 | GU98084412 | screw | 2 | |
| 6 | GU14615901 | Washer 8,4X13X0,8 | 2 | |
| 7 | GU30665000 | Brake oil tank | 1 | |
| 8 | GU98682310 | Hex socket screw M6x10 | 1 | |
| 9 | GU95008306 | Washer 6,4x12x1,2 | 4 | |
| 10 | 977372 | Oil tank plate | 1 | |
| 11 | GU00823950050 | Oil pipe | 1 | |
| 12 | GU30665860 | Spring | 1 | |
| 13 | AP8101595 | Hose clamp D10,1 | 2 | |
| 14 | GU03658500 | Hose from pump to delayvalve | 1 | |
| 15 | GU95990044 | Bored screw | 1 | |
| 16 | GU25656100 | Gasket | 4 | |
| 17 | 56122R | Valve | 1 | |
| 18 | GU98682318 | Hex socket screw | 2 | |
| 19 | GU92606206 | Nut | 2 | |
| 20 | GU32657060 | Switch | 1 | |
| 21 | GU03675900 | Rear brake lever | 1 | |
| 22 | GU30678160 | Bushing | 1 | |
| 23 | GU43262180 | Rubber pedal | 1 | |
| 24 | GU98350416 | Hex socket screw M8x16 | 1 | |
| 25 | GU03270300 | Washer 8,4x15 | 1 | |
| 26 | GU03259100 | Washer | 1 | |
| 27 | GU13432640 | Rubber pedal | 1 | |
| 28 | GU18678350 | Pin | 1 | |

| | |
|--------------------|----------------------|
| Group | FRAME |
| Code | 33.22 |
| Description | Rear master cylinder |
| Service | 1 |



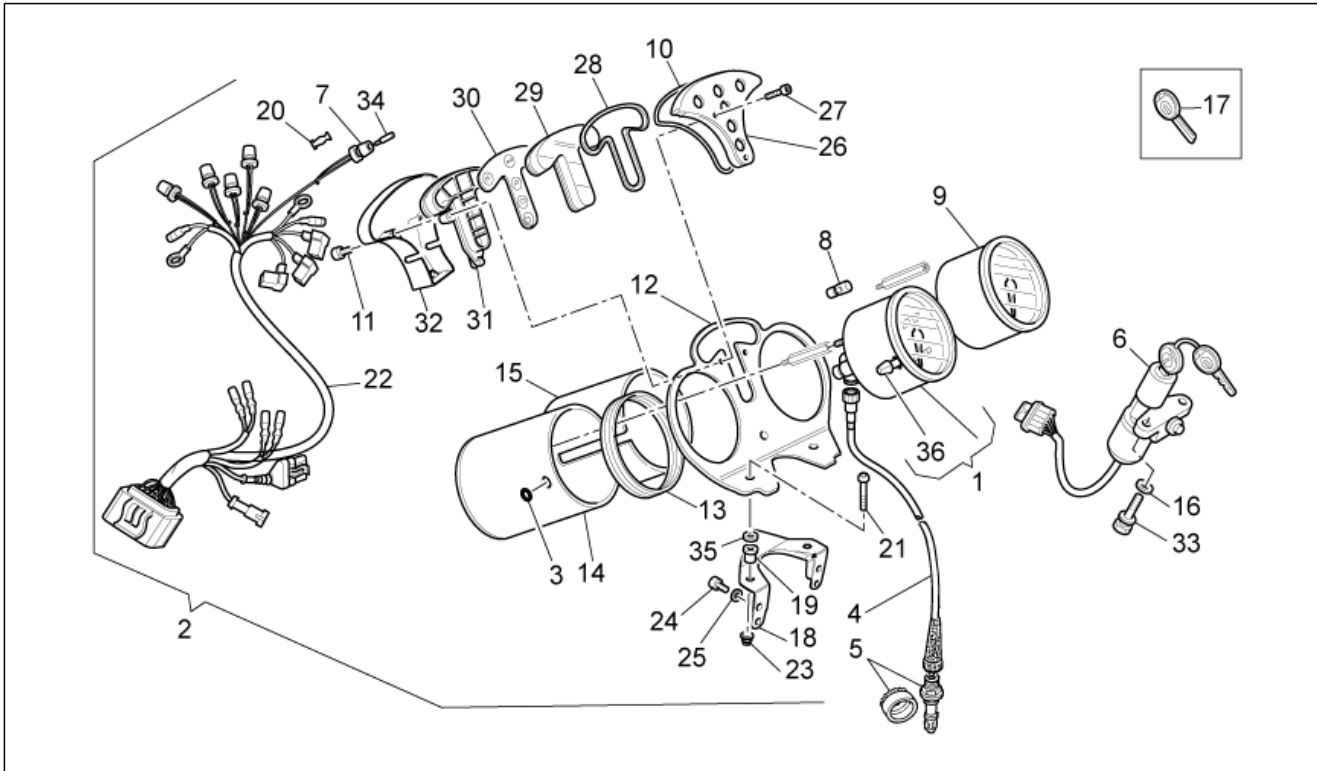
| Pos. | Code | Description | Qty | Variants |
|------|------------|-----------------------|-----|----------|
| 29 | GU03013800 | Washer 6,4x12 | 1 | |
| 30 | GU92602206 | Nut | 1 | |
| 31 | GU95780267 | Pin | 1 | |
| 32 | GU95129111 | Washer | 1 | |
| 33 | GU95500221 | Split pin | 2 | |
| 34 | GU03675170 | Tie rod | 1 | |
| 35 | GU92609007 | Nut | 1 | |
| 36 | GU95740175 | Fork | 1 | |
| 37 | GU95129131 | Washer 8,4x15x1,7 | 1 | |
| 38 | GU95100173 | Washer 7,5x13x1 | 1 | |
| 39 | GU98223620 | Screw w/ flange M6x20 | 1 | |
| 40 | GU91180617 | Spacer 6,2x8x13,5 | 1 | |
| 41 | GU91551167 | Rubber spacer 8x18 | 1 | |
| 42 | GU30661100 | Tank cover | 1 | |

| | |
|--------------------|----------------------|
| Group | FRAME |
| Code | 33.23 |
| Description | Handlebar - Controls |
| Service | 1 |



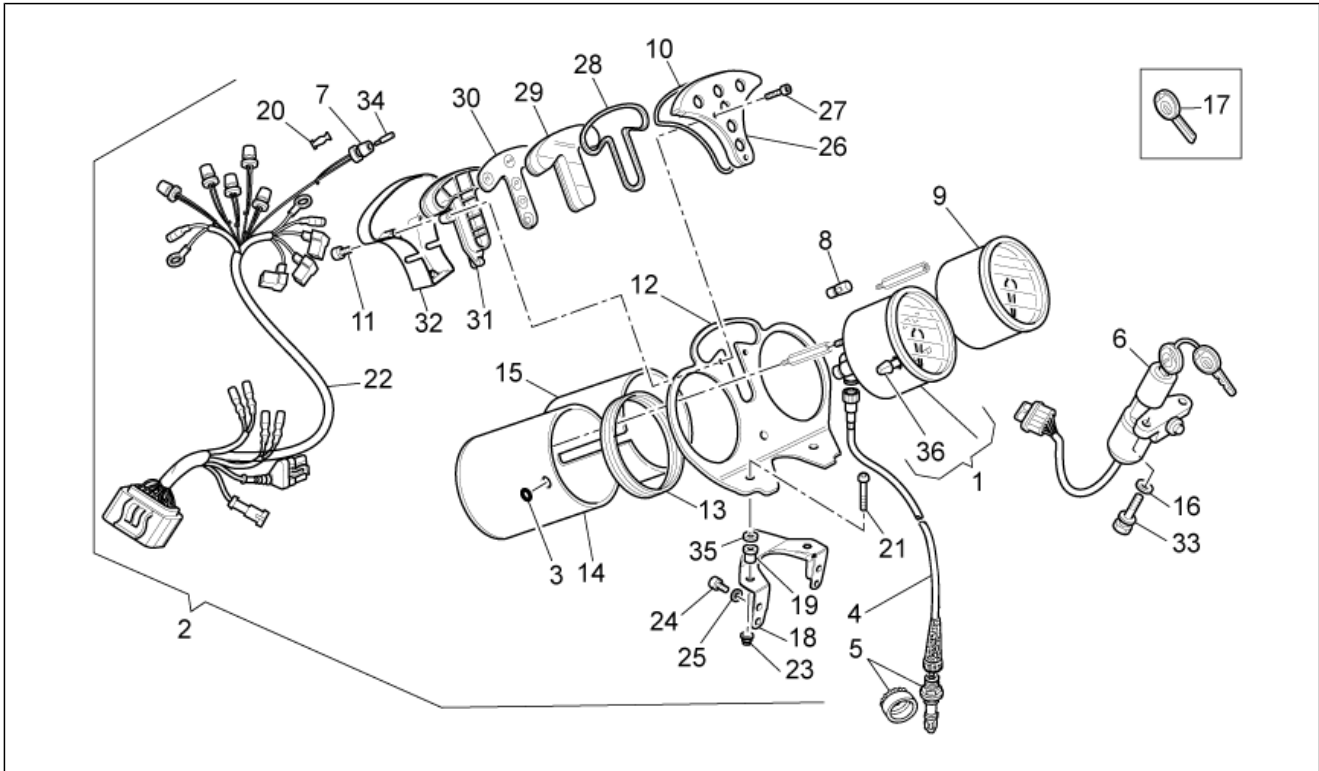
| Pos. | Code | Description | Qty | Variants |
|------|------------|-------------------------------|-----|---|
| 1 | GU03600360 | Handlebar | 1 | |
| 2 | GU03603860 | Throttle pipe w/out hand grip | 1 | |
| 3 | GU27530594 | Washer | 1 | |
| 4 | GU03603560 | RH hand grip | 1 | |
| 5 | 977255 | RH lights selector | 1 | |
| 6 | GU03117545 | Gas lever transmission | 2 | |
| 7 | GU27530595 | Plate | 1 | |
| 8 | GU03738045 | LH lights selector | 1 | |
| 9 | GU03604245 | Bush | 1 | |
| 10 | GU03603060 | LH hand grip | 1 | |
| 11 | GU01609630 | Hose clamp L46 mm | 2 | |
| 12 | GU03669000 | RH eyelet for trans.guide | 1 | |
| 13 | GU27135215 | Starter lever | 1 | |
| 14 | GU03132845 | Choke cable | 1 | |
| 15 | GU94321070 | Spring | 1 | |
| 16 | GU03605545 | Clutch lever | 1 | |
| 17 | GU92602206 | Nut | 1 | |
| 18 | GU30601060 | Clump | 1 | |
| 19 | GU30530528 | Lever pin | 1 | |
| 20 | GU30602500 | Register | 1 | |
| 21 | GU03093070 | Clutch cable | 1 | |
| 22 | GU27663815 | Guard | 1 | |
| 23 | 883802 | RH/LH rearview mirror | 2 | Vehicle colour:marcato "FU E11 81R-001047"[B] |
| 23 | 978570 | RH/LH rearview mirror | 2 | Vehicle colour:marked "FAR"[A] |
| 24 | GU29606970 | Nylon washer | 1 | |
| 25 | GU03602760 | Balancing | 2 | |
| 26 | GU03669001 | LH eyelet for trans.guide | 1 | |

| | |
|--------------------|-----------|
| Group | FRAME |
| Code | 33.24 |
| Description | Dashboard |
| Service | 1 |



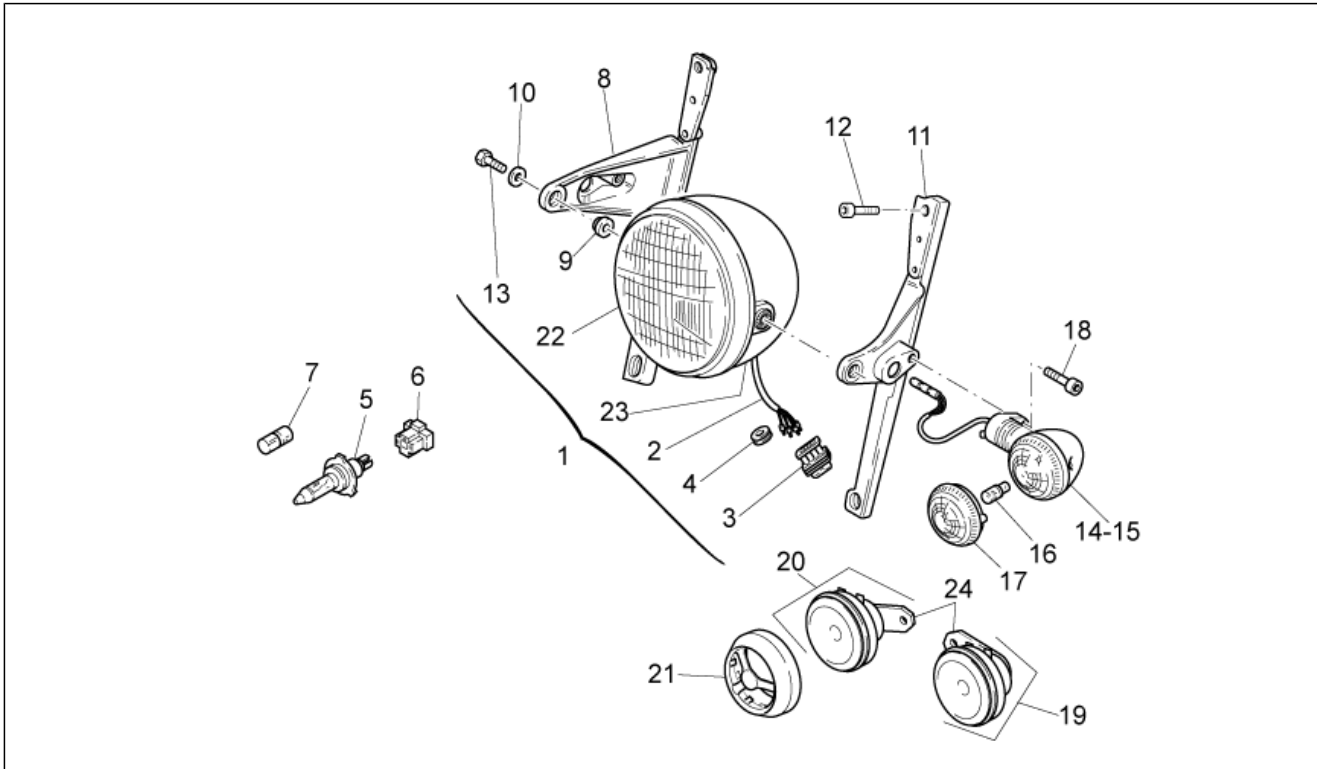
| Pos. | Code | Description | Qty | Variants |
|------|------------|-------------------------------|-----|---------------------------------------|
| 1 | GU03761570 | Speedometer | 1 | |
| 2 | 977026 | Dashboard complete | 1 | Country:europa[EU] |
| 2 | 977425 | Dashboard complete | 1 | Country:United States of America[USA] |
| 3 | GU91551168 | Rubber spacer | 1 | |
| 4 | GU03760465 | Odometer cable | 1 | |
| 5 | GU03762550 | Odometer gear | 1 | |
| 6 | 977528 | Main switch - steering lock | 1 | |
| 7 | GU02768600 | Lampholder | 6 | |
| 8 | 294131 | Lamp 12V-3W | 2 | |
| 9 | GU03767270 | Electronic revolution counter | 1 | |
| 10 | GU03762370 | Gasket | 1 | |
| 11 | GU98872110 | screw | 3 | |
| 12 | GU03764060 | Dashboard lower support | 1 | |
| 13 | GU02762301 | Support rubber part | 2 | |
| 14 | GU03762070 | Odometer support | 1 | |
| 15 | GU03761970 | Tachometer support | 1 | |
| 16 | GU95008208 | Washer 8,4X15X1,5 | 2 | |
| 17 | GU32735510 | Non indent.key blank-shell go | 1 | |
| 17 | GU32735511 | Non indent.key blank-shell cr | 1 | |
| 18 | GU01766031 | Socket support | 1 | |
| 19 | GU93222023 | Silent-block | 3 | |
| 20 | GU93400012 | Lamp holder end section | 6 | |
| 21 | GU98370609 | Hex socket screw M6x10 | 3 | |
| 22 | GU03747270 | Dashboard cable | 1 | |
| 23 | GU92660007 | Flanged nut M6x9 | 3 | |
| 24 | GU98692318 | Hex socket screw | 4 | |
| 25 | GU95008306 | Washer 6,4x12x1,2 | 4 | |
| 26 | 640585 | Indicator light box | 1 | |

| | |
|--------------------|-----------|
| Group | FRAME |
| Code | 33.24 |
| Description | Dashboard |
| Service | 1 |



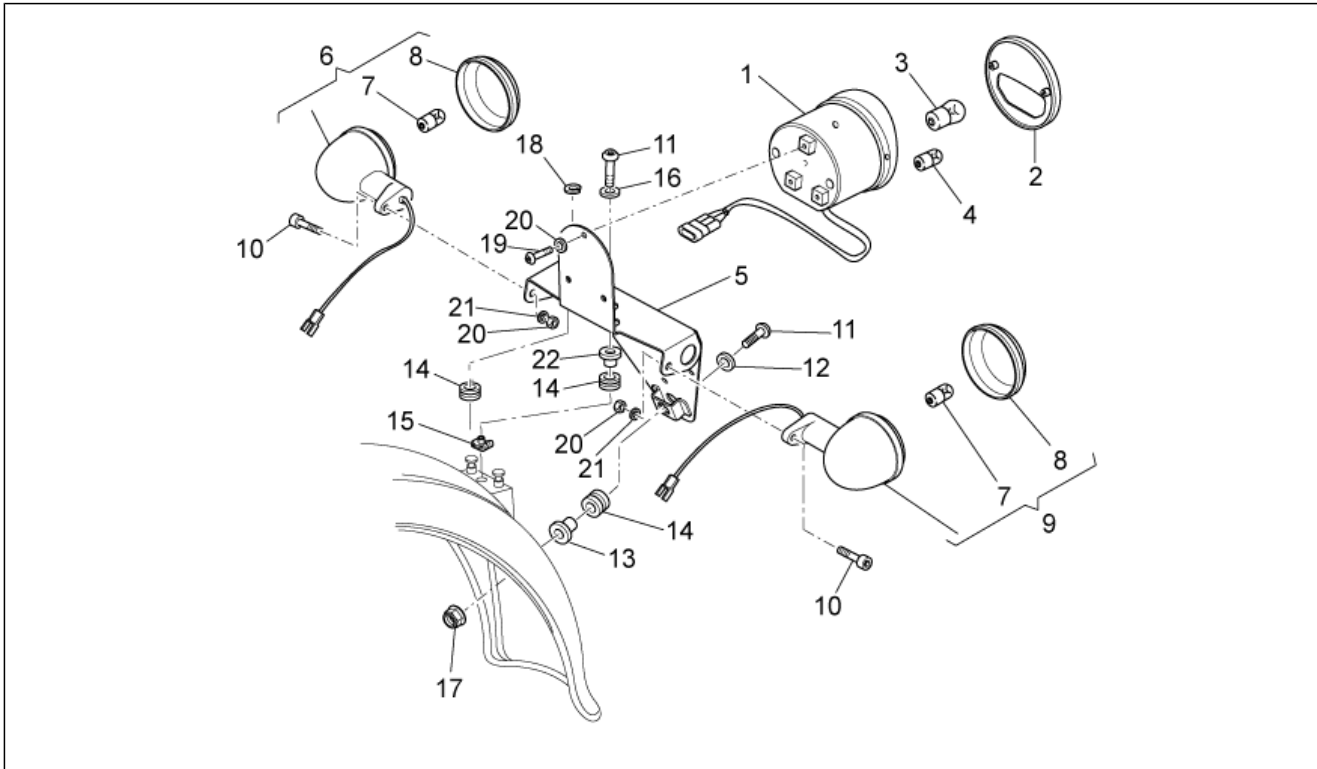
| Pos. | Code | Description | Qty | Variants |
|------|------------|---------------------|-----|----------|
| 27 | GU98872120 | screw | 3 | |
| 28 | GU02768200 | Gasket | 1 | |
| 29 | GU02768400 | Guard | 1 | |
| 30 | GU03781150 | Gasket | 1 | |
| 31 | GU02766300 | Indicator light box | 1 | |
| 32 | GU03766570 | Lower cover | 1 | |
| 33 | GU97260415 | Special screw M8x15 | 2 | |
| 34 | 164634 | 12v-1.2w bulb | 6 | |
| 35 | GU95021206 | Washer | 3 | |
| 36 | GU03762870 | Reset button | 1 | |

| | |
|--------------------|--------------|
| Group | FRAME |
| Code | 33.25 |
| Description | Front lights |
| Service | 1 |



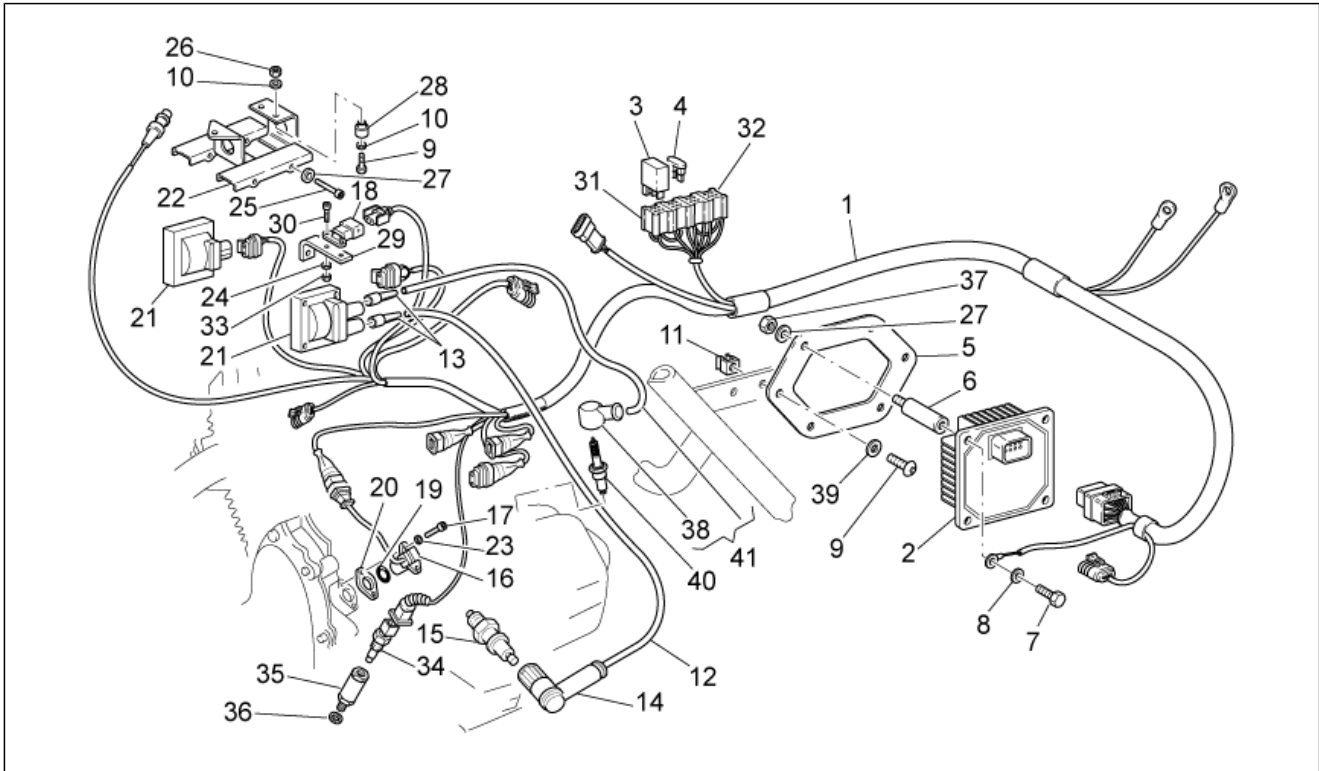
| Pos. | Code | Description | Qty | Variants |
|------|------------|------------------------------|-----|----------|
| 1 | GU03740540 | Headlight | 1 | |
| 2 | GU02746900 | Wiring | 1 | |
| 3 | GU01756100 | 4-way connector AMP | 1 | |
| 4 | GU91551105 | Rubber spacer | 1 | |
| 5 | 292723 | Lamp H4 60/55W 12V | 1 | |
| 6 | GU01756220 | Lampholder | 1 | |
| 7 | 163015 | Lamp 12V-4W | 1 | |
| 8 | GU03496150 | RH support | 1 | |
| 9 | GU14439800 | Spacer | 2 | |
| 10 | GU95005308 | Washer 8,4x14,57x1,6 | 2 | |
| 11 | GU03496250 | LH support | 1 | |
| 12 | GU98692318 | Hex socket screw | 4 | |
| 13 | GU98064425 | screw | 1 | |
| 14 | GU03751631 | RH front/LH rear turn indic. | 1 | |
| 15 | GU03751630 | LH front/RH rear turn indic. | 1 | |
| 16 | GU93450127 | Lamp | 2 | |
| 17 | GU31753765 | Turn indicator lens | 2 | |
| 18 | GU98682314 | Hex socket screw M6x14 | 2 | |
| 19 | GU01743790 | Electric hom H | 1 | |
| 20 | 883463 | Electric hom L | 1 | |
| 21 | GU03744760 | Horn mask | 2 | |
| 22 | GU29740500 | Light assembly | 1 | |
| 23 | GU03740437 | Cap rear black | 1 | |
| 24 | GU01744200 | Bracket | 2 | |

| | |
|--------------------|-------------|
| Group | FRAME |
| Code | 33.26 |
| Description | Rear lights |
| Service | 1 |



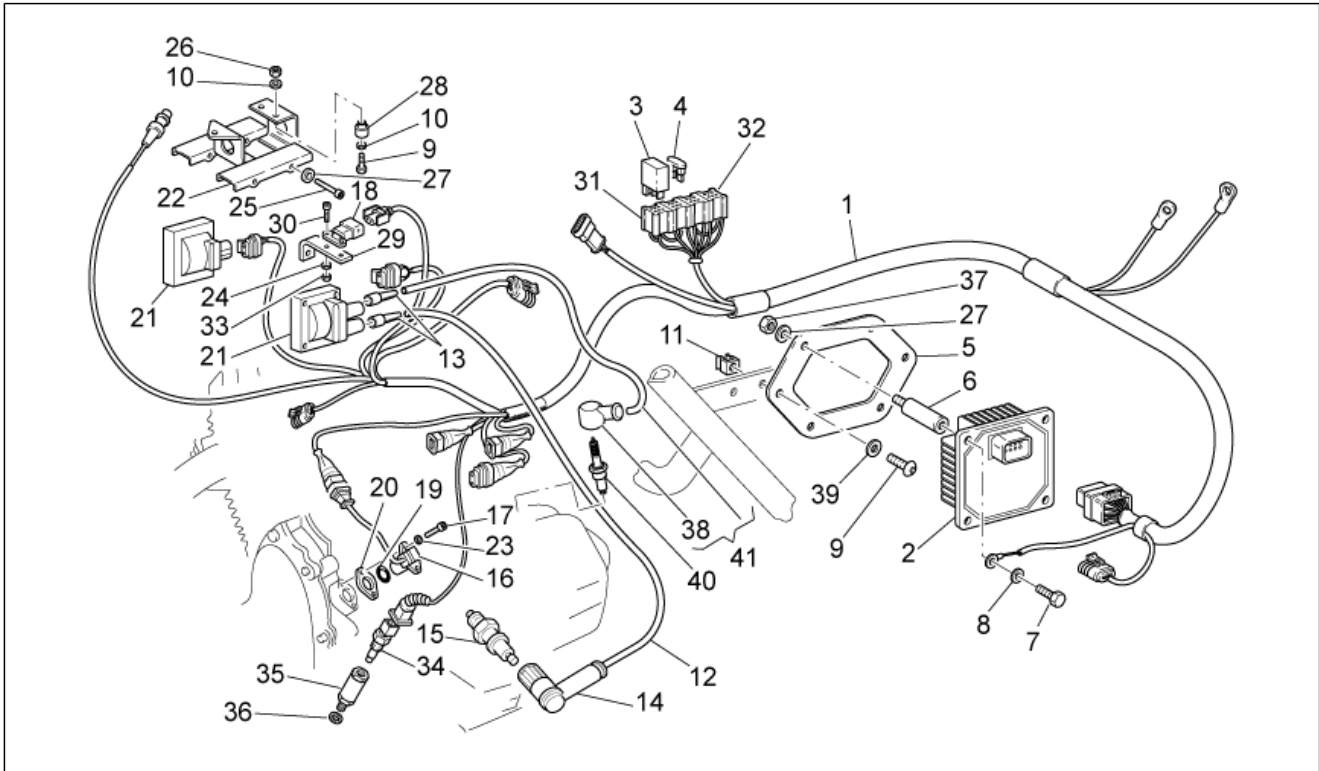
| Pos. | Code | Description | Qty | Variants |
|------|------------|--------------------------|-----|----------|
| 1 | 977170 | Taillight | 1 | |
| 2 | AP8127139 | Taillight lens | 1 | |
| 3 | GU93450224 | Lamp | 1 | |
| 4 | 292022 | Lamp 12V-5W | 1 | |
| 5 | 977016 | Light support plate | 1 | |
| 6 | 977186 | Rear RH turn indicator | 1 | |
| 7 | GU93450127 | Lamp | 2 | |
| 8 | GU31753765 | Turn indicator lens | 2 | |
| 9 | 977185 | Rear LH turn indicator | 1 | |
| 10 | GU98612316 | Hex socket screw M6x16 | 2 | |
| 11 | GU98370625 | Hex socket screw | 2 | |
| 12 | GU95100141 | Washer 6,4x12x1,2 | 1 | |
| 13 | AP8221128 | T bush 8,5x10,7x12 | 1 | |
| 14 | GU91551010 | Rubber spacer | 4 | |
| 15 | GU28576591 | Clip M6 | 1 | |
| 16 | GU95005306 | Washer 6,4x13x1,5 | 1 | |
| 17 | GU92650036 | Flanged nut M6 | 1 | |
| 18 | 977617 | Snap ring | 2 | |
| 19 | GU98370516 | Hex socket screw | 3 | |
| 20 | GU95129100 | Spring washer 5,3X10X0,5 | 4 | |
| 21 | GU92787006 | Cap nut M6x1 | 2 | |
| 22 | GU30576100 | Spacer D.6,5 | 1 | |

| | |
|--------------------|--------------------|
| Group | FRAME |
| Code | 33.27 |
| Description | Electrical systeme |
| Service | 1 |



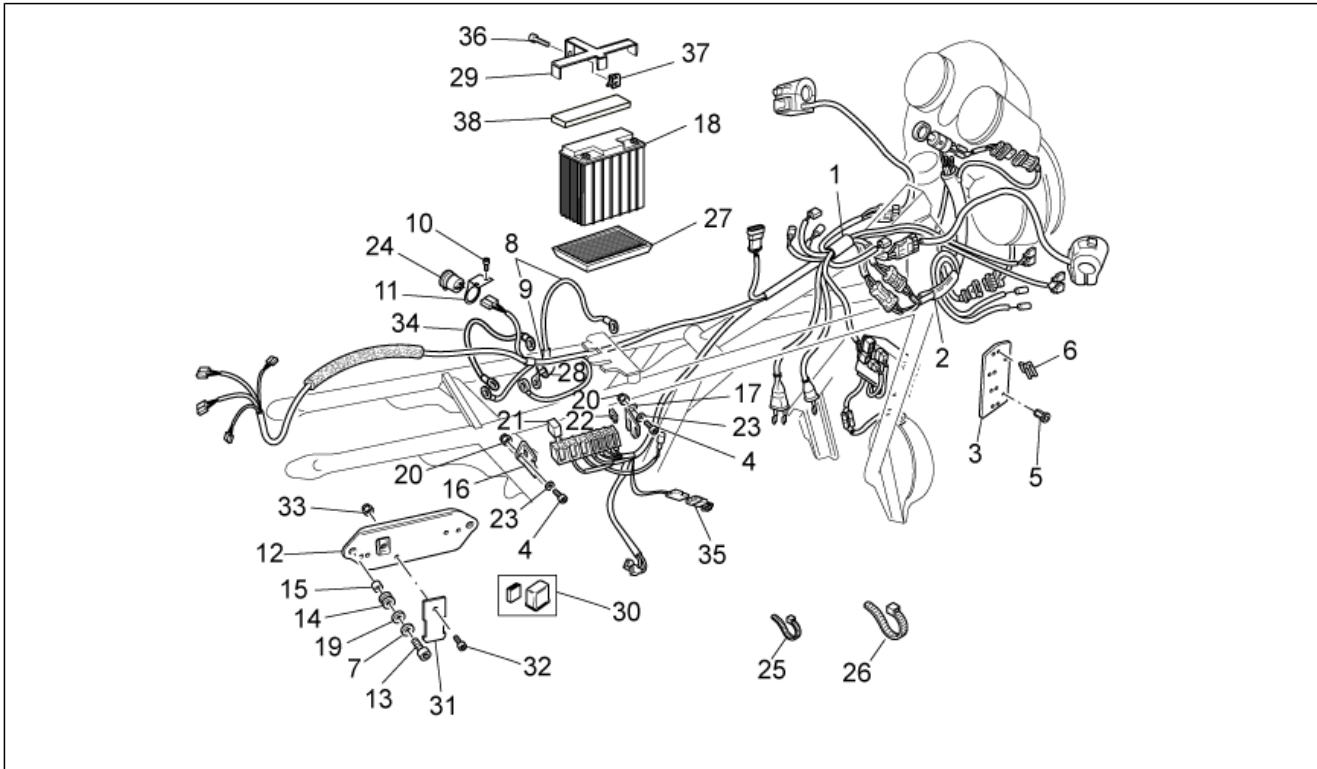
| Pos. | Code | Description | Qty | Variants |
|------|------------|-------------------------|-----|----------|
| 1 | GU03725875 | Injection wiring | 1 | |
| 2 | 977235 | CDI unit assy | 1 | |
| 3 | GU01732530 | Relay Siemens A302B1005 | 2 | |
| 4 | GU28742558 | Fuse 5A | 1 | |
| 4 | GU28742559 | Fuse 10A | 1 | |
| 5 | GU03729230 | Plate | 1 | |
| 6 | GU93221330 | Block | 4 | |
| 7 | GU98084110 | Hex screw | 4 | |
| 8 | GU95008304 | Washer | 4 | |
| 9 | GU98682310 | Hex socket screw M6x10 | 5 | |
| 10 | GU95008306 | Washer 6,4x12x1,2 | 6 | |
| 11 | GU92660601 | Captive nut | 2 | |
| 12 | GU03718350 | HT wire | 2 | |
| 13 | GU14717600 | Cap | 2 | |
| 14 | GU03717450 | Sparkplug cap | 2 | |
| 15 | GU30717061 | Spark plug NGK BPR6ES | 2 | |
| 16 | GU01721600 | Phase/revolution sensor | 1 | |
| 17 | GU98682212 | Hex socket screw M5x12 | 2 | |
| 18 | GU30729330 | Air temp. Sensor | 1 | |
| 19 | GU90706141 | O-ring | 1 | |
| 20 | GU01722700 | Gasket 0,3mm | 2 | |
| 20 | GU01722701 | Gasket 0,4 mm | 2 | |
| 20 | GU01722702 | Gasket 0,6mm | 2 | |
| 20 | GU01722703 | Gasket | 2 | |
| 20 | GU01722704 | Gasket 1mm | 2 | |
| 20 | GU01722705 | Gasket 1,5mm | 2 | |
| 20 | GU29722760 | Gasket 0,5 mm | 1 | |
| 21 | GU05716530 | HT coil | 2 | |

| | |
|--------------------|--------------------|
| Group | FRAME |
| Code | 33.27 |
| Description | Electrical systeme |
| Service | 1 |



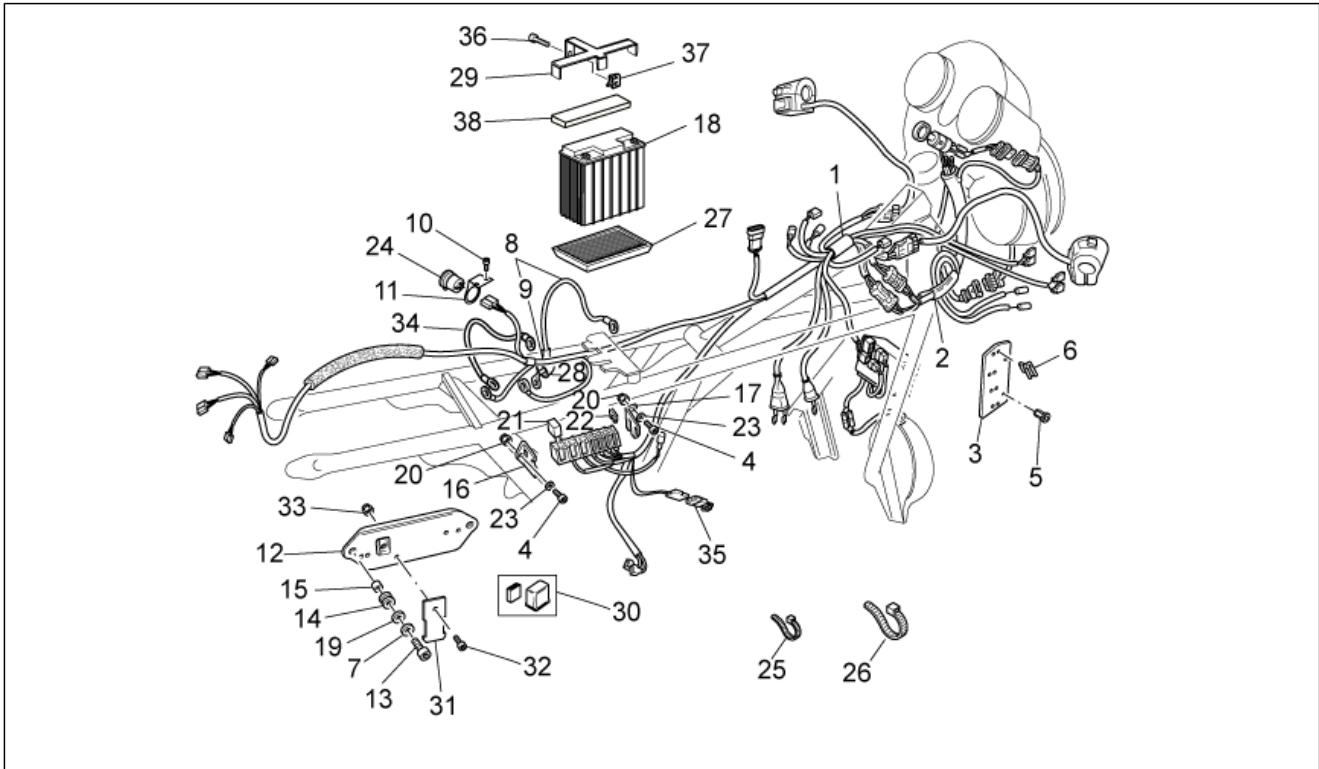
| Pos. | Code | Description | Qty | Variants |
|------|------------|------------------------|-----|----------|
| 22 | GU03716770 | Coil holder | 1 | |
| 23 | GU95008205 | Washer 5,3x10x0,8 | 2 | |
| 24 | GU95120033 | Washer 3,2x5,8x0,8 | 2 | |
| 25 | GU98682125 | Hex socket screw | 4 | |
| 26 | GU92606206 | Nut | 3 | |
| 27 | GU95021204 | Washer | 8 | |
| 28 | GU93222023 | Silent-block | 3 | |
| 29 | GU30728230 | Sensor support | 1 | |
| 30 | GU98680110 | Hex socket screw M3x10 | 2 | |
| 31 | GU30732200 | Fuse holder box | 1 | |
| 32 | GU30732400 | Relais support | 2 | |
| 33 | GU92606003 | Nut M3 | 2 | |
| 34 | GU29729461 | Oil temperature sensor | 1 | |
| 35 | GU03163330 | Sensor support | 1 | |
| 36 | GU95008210 | Washer 10,2X18X2 | 4 | |
| 37 | GU92630204 | Nut | 4 | |
| 38 | GU06717400 | Sparkplug cap | 2 | |
| 39 | GU03013800 | Washer 6,4x12 | 2 | |
| 40 | GU05717030 | Spark plug NGK PMR8B | 2 | |
| 41 | 977388 | HT wire | 2 | |

| | |
|--------------------|-------------------|
| Group | FRAME |
| Code | 33.28 |
| Description | Electrical system |
| Service | 1 |



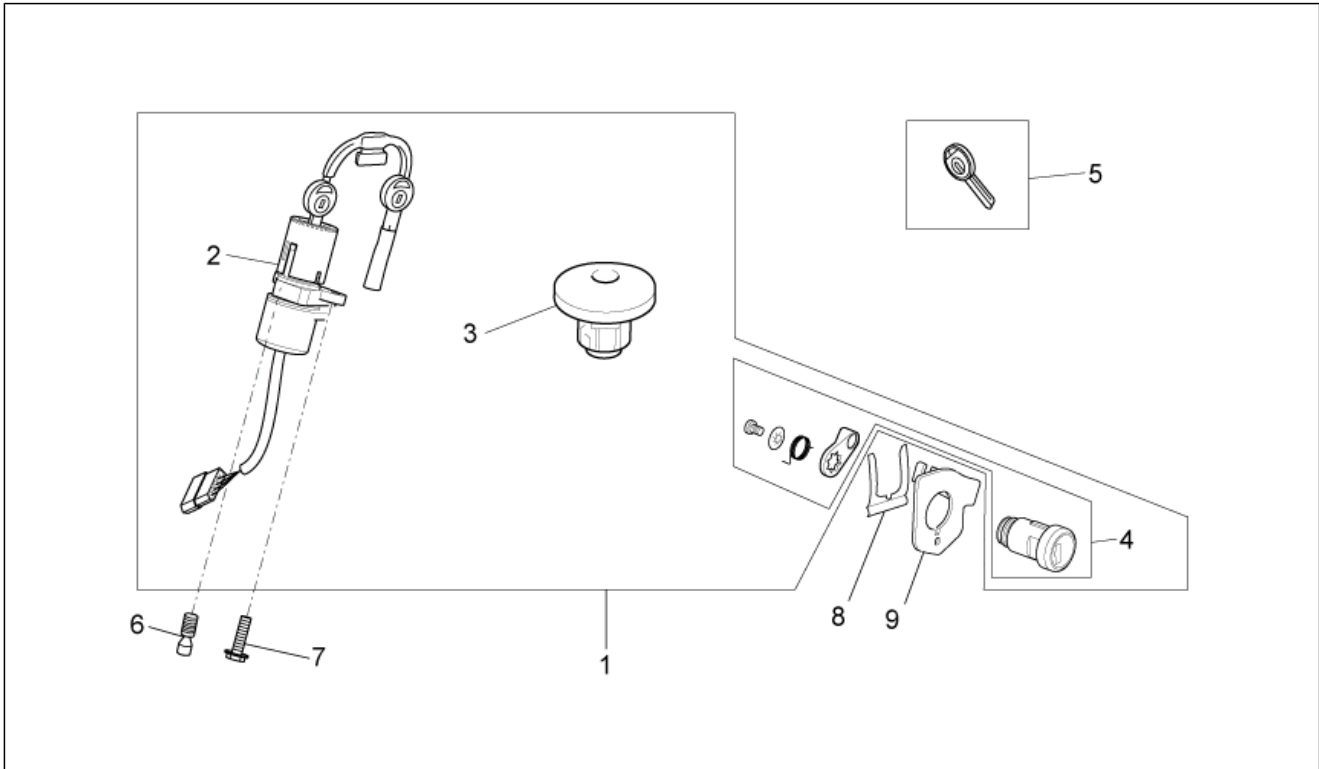
| Pos. | Code | Description | Qty | Variants |
|------|------------|--------------------------------|-----|----------|
| 1 | 977157 | Main wiring harness | 1 | |
| 2 | GU03747270 | Dashboard cable | 1 | |
| 3 | 977440 | Plate | 1 | |
| 4 | GU98682310 | Hex socket screw M6x10 | 4 | |
| 5 | GU23922210 | Pin | 2 | |
| 6 | GU30922260 | Clip | 3 | |
| 7 | GU03013800 | Washer 6,4x12 | 8 | |
| 8 | GU03748440 | Wire | 1 | |
| 9 | GU03707140 | Cap | 1 | |
| 10 | GU98682318 | Hex socket screw | 2 | |
| 11 | GU03785470 | plate | 1 | |
| 12 | GU03746370 | plate | 1 | |
| 13 | GU98370619 | Hex socket screw | 2 | |
| 14 | GU91551080 | Rubber spacer | 2 | |
| 15 | GU91180607 | Spacer | 2 | |
| 16 | GU30477101 | RH clamp | 1 | |
| 17 | GU30477200 | LH plate | 1 | |
| 18 | GU03704571 | Battery | 1 | |
| 19 | GU95100118 | Washer 6,2X18X1 | 3 | |
| 20 | GU92630707 | Nut | 2 | |
| 21 | GU01731760 | Relay shunt va.siem. A1001A403 | 1 | |
| 21 | GU01732560 | Mini-relay A1001A402 | 2 | |
| 22 | 290860 | Fuse 15A | 1 | |
| 22 | GU28742558 | Fuse 5A | 1 | |
| 22 | GU28742561 | Fuse 20A | 1 | |
| 22 | GU28742562 | Fuse 30A | 1 | |
| 23 | GU95008206 | Washer 6,15x11x0,8 | 2 | |
| 24 | AP8124768 | Socket | 1 | |

| | |
|--------------------|-------------------|
| Group | FRAME |
| Code | 33.28 |
| Description | Electrical system |
| Service | 1 |



| Pos. | Code | Description | Qty | Variants |
|------|------------|------------------------|-----|----------|
| 25 | GU14609650 | Hose clamp 3,6x20,6 | 34 | |
| 26 | GU93304390 | Hose clamp 3,6x375 | 1 | |
| 27 | GU28707050 | Battery holder | 1 | |
| 28 | GU30759600 | Cap | 2 | |
| 29 | 977387 | Battery holder | 1 | |
| 30 | AP8124235 | Flasher unit | 1 | |
| 31 | 977423 | Plate | 1 | |
| 32 | GU98350312 | Hex socket screw M6x12 | 1 | |
| 33 | GU92630106 | Nut M6x1 | 1 | |
| 34 | GU02747901 | Ground-battery lead | 1 | |
| 35 | AP8212588 | Diode | 1 | |
| 36 | GU98682314 | Hex socket screw M6x14 | 1 | |
| 37 | GU28576591 | Clip M6 | 1 | |
| 38 | AP8144538 | Gasket | 1 | |

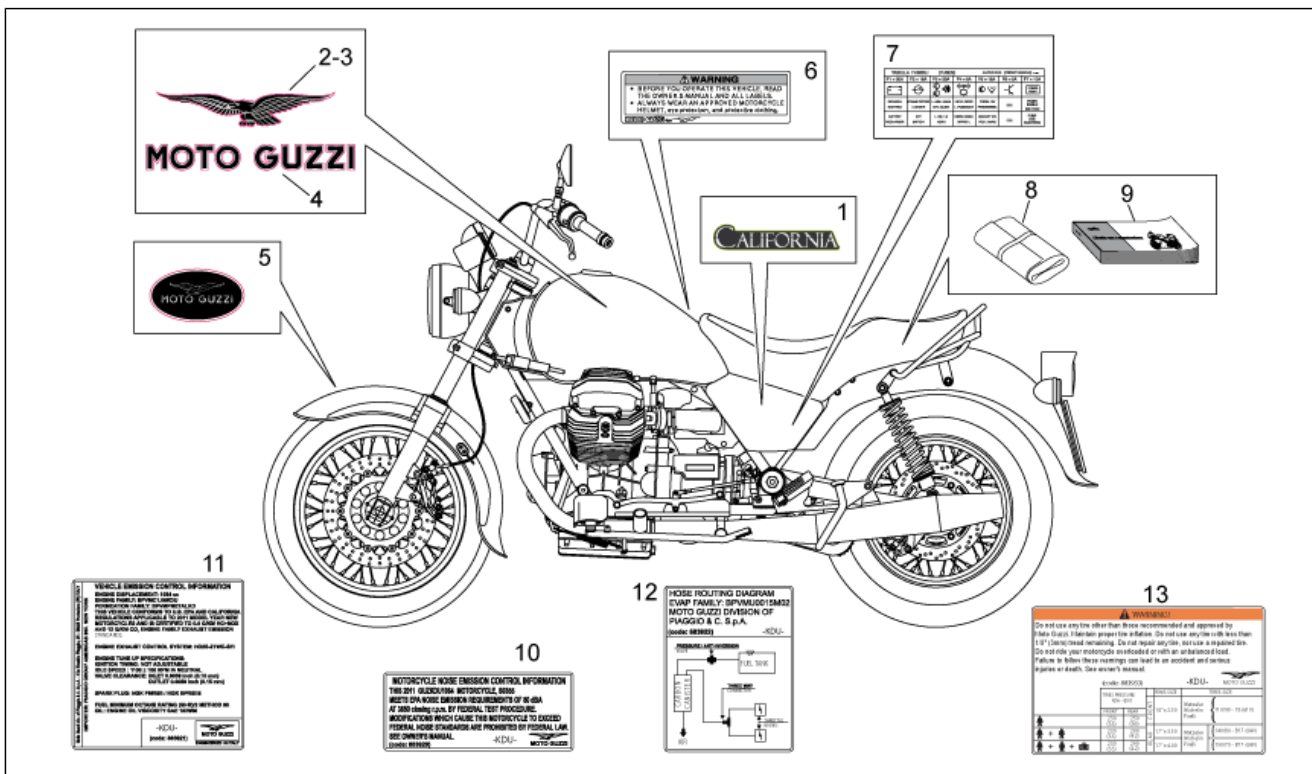
| | |
|--------------------|-------------------|
| Group | FRAME |
| Code | 33.29 |
| Description | Lock hardware kit |
| Service | 1 |



| Pos. | Code | Description | Qty | Variants |
|------|------------|-------------------------------|-----|---------------------------------------|
| 1 | 977389 | Lock kit | 1 | Country:europa[EU] |
| 1 | 978168 | Lock kit | 1 | Country:United States of America[USA] |
| 2 | 977528 | Main switch - steering lock | 1 | |
| 3 | GU03103970 | Tank cap | 1 | Country:europa[EU] |
| 3 | GU32103961 | Tank cap | 1 | Country:United States of America[USA] |
| 4 | 977527 | Serratura completa di chiavi | 1 | |
| 5 | GU32735510 | Non indent.key blank-shell go | 1 | |
| 5 | GU32735511 | Non indent.key blank-shell cr | 1 | |
| 6 | GU97260415 | Special screw M8x15 | 1 | |
| 7 | GU98682416 | Hex socket screw M8x16 | 1 | |
| 8 | AP8121420 | Fork spring | 1 | |
| 9 | AP8134618 | Cable fixing plate | 1 | |

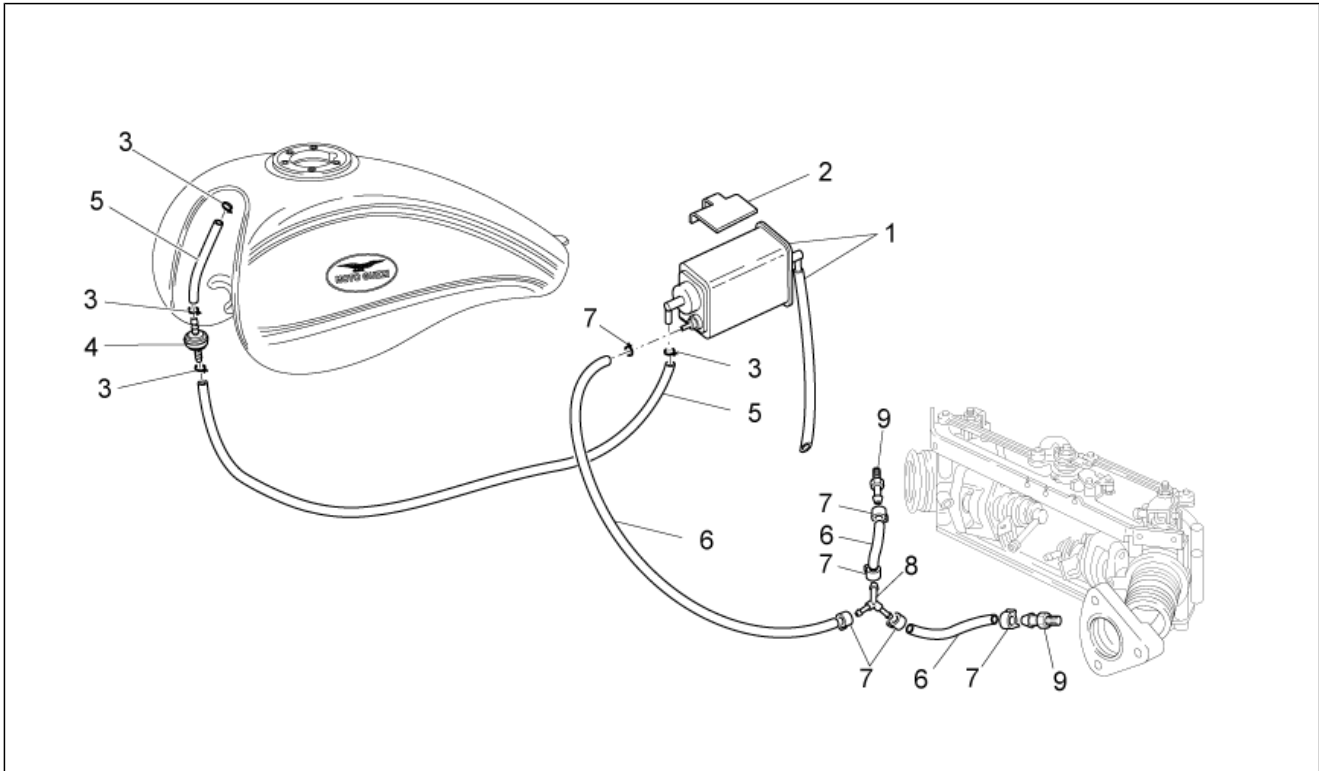


| | |
|--------------------|------------------------------|
| Group | FRAME |
| Code | 33.30 |
| Description | Plate set-decal-op.handbooks |
| Service | 1 |



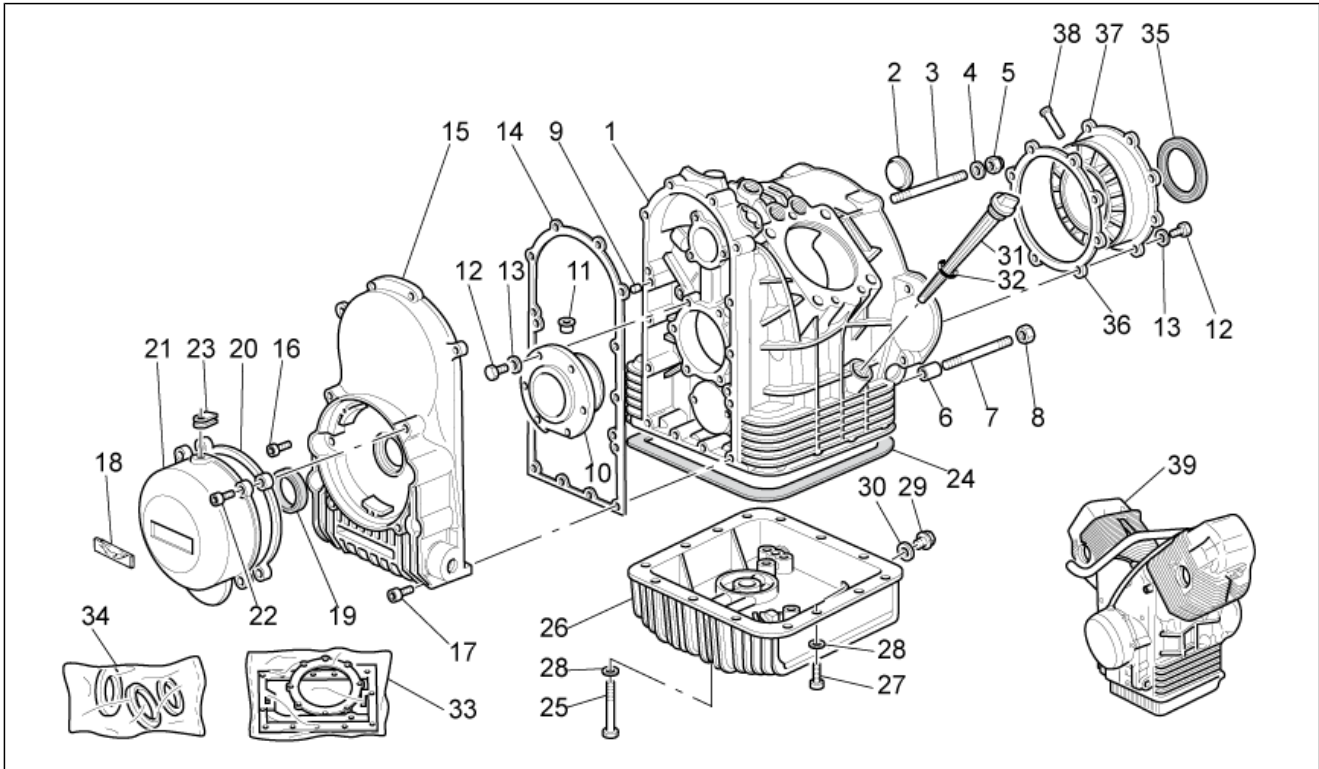
| Pos. | Code | Description | Qty | Variants |
|------|------------|------------------------------|-----|--|
| 1 | 886172 | Decal "California" | 2 | Year:2009[9] Vehicle colour:Black Eagle 2009[b.eagle] |
| 2 | 886142 | Sticker RH "Aquila Nera" | 1 | Year:2009[9] Vehicle colour:Black Eagle 2009[b.eagle] |
| 3 | 886143 | Sticker LH "Aquila Nera" | 1 | Year:2009[9] Vehicle colour:Black Eagle 2009[b.eagle] |
| 4 | 886144 | Black decal "Moto Guzzi" | 2 | Year:2009[9] Vehicle colour:Black Eagle 2009[b.eagle] |
| 5 | 886141 | Decal "Aquila" | 1 | Year:2009[9] Vehicle colour:Black Eagle 2009[b.eagle] |
| 6 | GU30944300 | Decal "Attention" | 1 | |
| 7 | 977291 | Sticker "schema fusibili" | 1 | |
| 8 | GU32909960 | Toolkit | 1 | |
| 9 | 883780 | Operator's handbook I-UK-F-D | 1 | |
| 10 | 883920 | Noise emission sticker USA | 1 | Country:United States of America[USA] |
| 11 | 883921 | Emission control sticker USA | 1 | Country:United States of America[USA] |
| 12 | 883922 | Shed scheme decal USA | 1 | Country:United States of America[USA] |
| 13 | 883933 | Tyre pressure decal USA | 1 | Country:United States of America[USA] |

| | |
|--------------------|----------------------------|
| Group | FRAME |
| Code | 33.45 |
| Description | Fuel vapour recover system |
| Service | 1 |



| Pos. | Code | Description | Qty | Variants |
|------|------------|-------------------------|-----|---------------------------------------|
| 1 | GU01116031 | Carbon filter | 1 | Country:United States of America[USA] |
| 2 | 978169 | Canister support plate | 1 | Country:United States of America[USA] |
| 3 | AP8201358 | Hose clamp D 11,9 | 4 | Country:United States of America[USA] |
| 4 | AP8104614 | Pressure valve | 1 | Country:United States of America[USA] |
| 5 | 856063 | pipe SAE 30 d.12,7x6,35 | 3 | Country:United States of America[USA] |
| 6 | 856062 | pipe SAE 30 d.11,11x4,8 | 3 | Country:United States of America[USA] |
| 7 | AP8102377 | Hose clamp D9,1* | 6 | Country:United States of America[USA] |
| 8 | AP8104666 | 3-way union | 1 | Country:United States of America[USA] |
| 9 | GU30115220 | Joint | 2 | Country:United States of America[USA] |

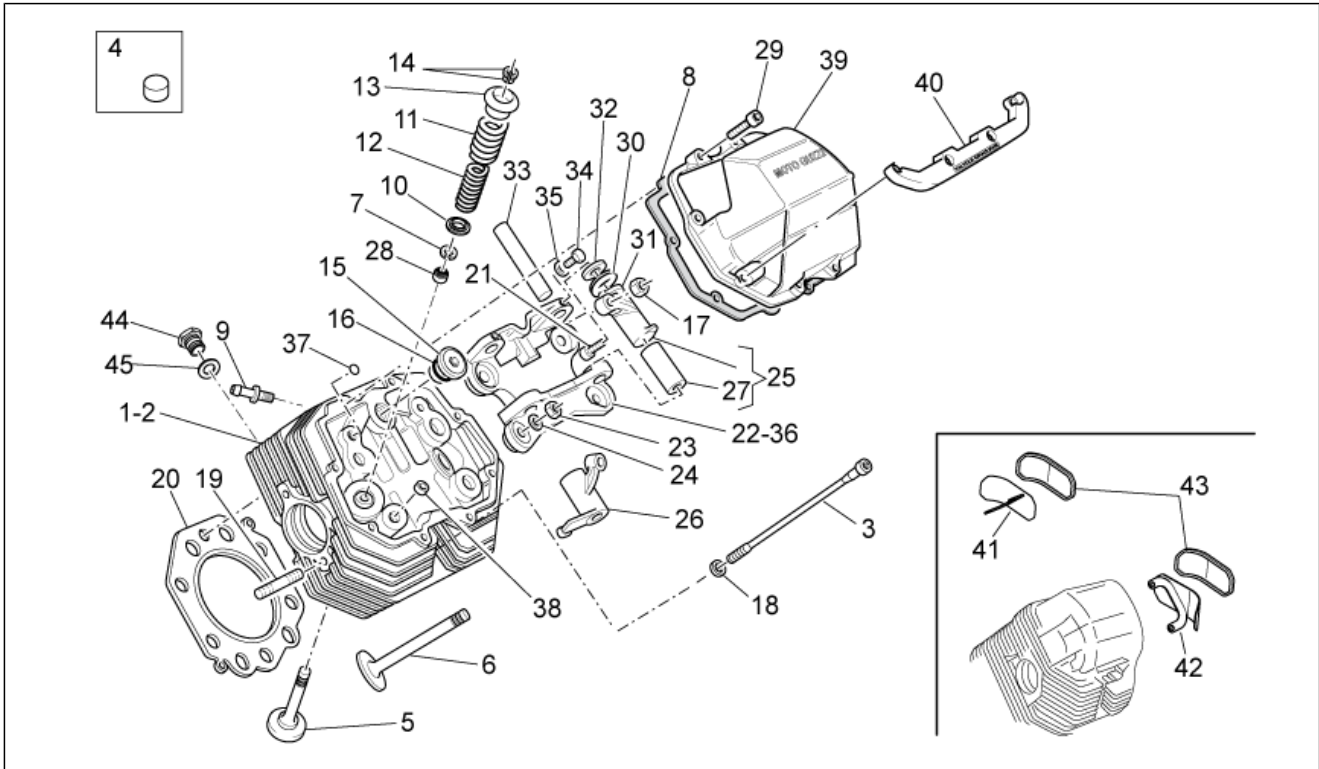
| | |
|--------------------|------------|
| Group | ENGINE |
| Code | 34.31 |
| Description | Crank-case |
| Service | 1 |



| Pos. | Code | Description | Qty | Variants |
|------|------------|------------------------------|-----|----------|
| 1 | 976109 | Crankcase black | 1 | |
| 2 | GU12003900 | Disc | 1 | |
| 3 | GU96508066 | Stud bolt M8X66 | 4 | |
| 4 | GU95005308 | Washer 8,4x14,57x1,6 | 6 | |
| 5 | GU92787008 | Cap nut M8x1,25 | 2 | |
| 6 | GU12018900 | Coupling bush | 2 | |
| 7 | GU96508075 | Stud bolt M8x75 | 2 | |
| 8 | GU92606208 | Nut M8x1,25 | 4 | |
| 9 | GU95512081 | Pin | 2 | |
| 10 | GU14011900 | Complete flange | 1 | |
| 10 | GU14011901 | Flange min.0,2 mm | 1 | |
| 11 | GU12012200 | Pin | 1 | |
| 12 | GU98084425 | Hex screw M8x25 | 14 | |
| 13 | GU61270300 | Spring washer 8x15x0,3 | 15 | |
| 14 | GU05001230 | Cover gasket | 1 | |
| 15 | 976450 | Timing cover black | 1 | |
| 16 | AP8152280 | Screw w/ flange M6x25 | 8 | |
| 17 | AP8152282 | Screw w/ flange M6x35 | 6 | |
| 18 | GU02517700 | Adhesive label | 1 | |
| 19 | GU90402840 | Gasket ring 28x38x7 | 1 | |
| 20 | GU18001150 | Flange | 1 | |
| 21 | 978680 | Generator cover chrom.plated | 1 | |
| 22 | GU98310631 | screw | 4 | |
| 23 | GU19007700 | Rubber spacer | 1 | |
| 24 | GU14003600 | Sump gasket | 1 | |
| 25 | GU98082390 | screw | 4 | |
| 26 | 9764511 | Oil sump black | 1 | |
| 27 | GU98682325 | Hex socket screw M6x25 | 14 | |

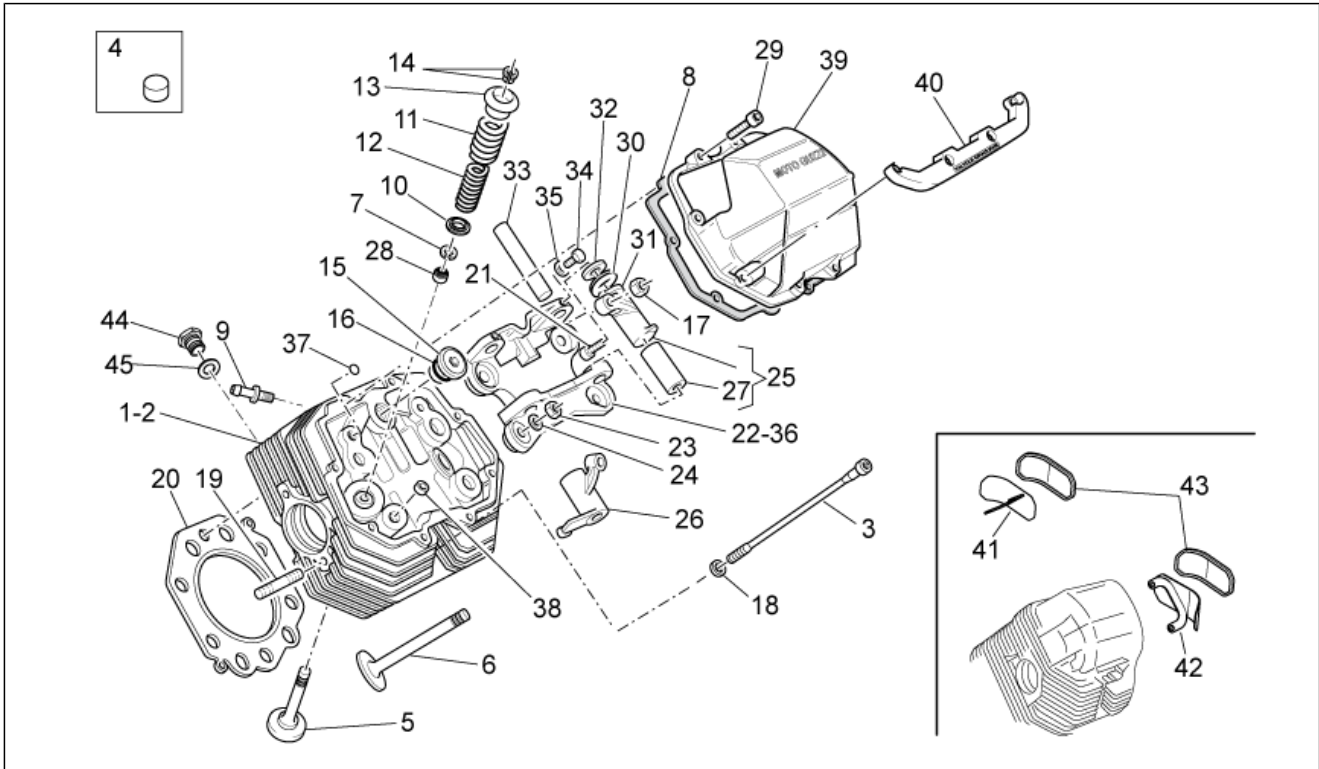


| | |
|--------------------|--------|
| Group | ENGINE |
| Code | 34.32 |
| Description | Heads |
| Service | 1 |



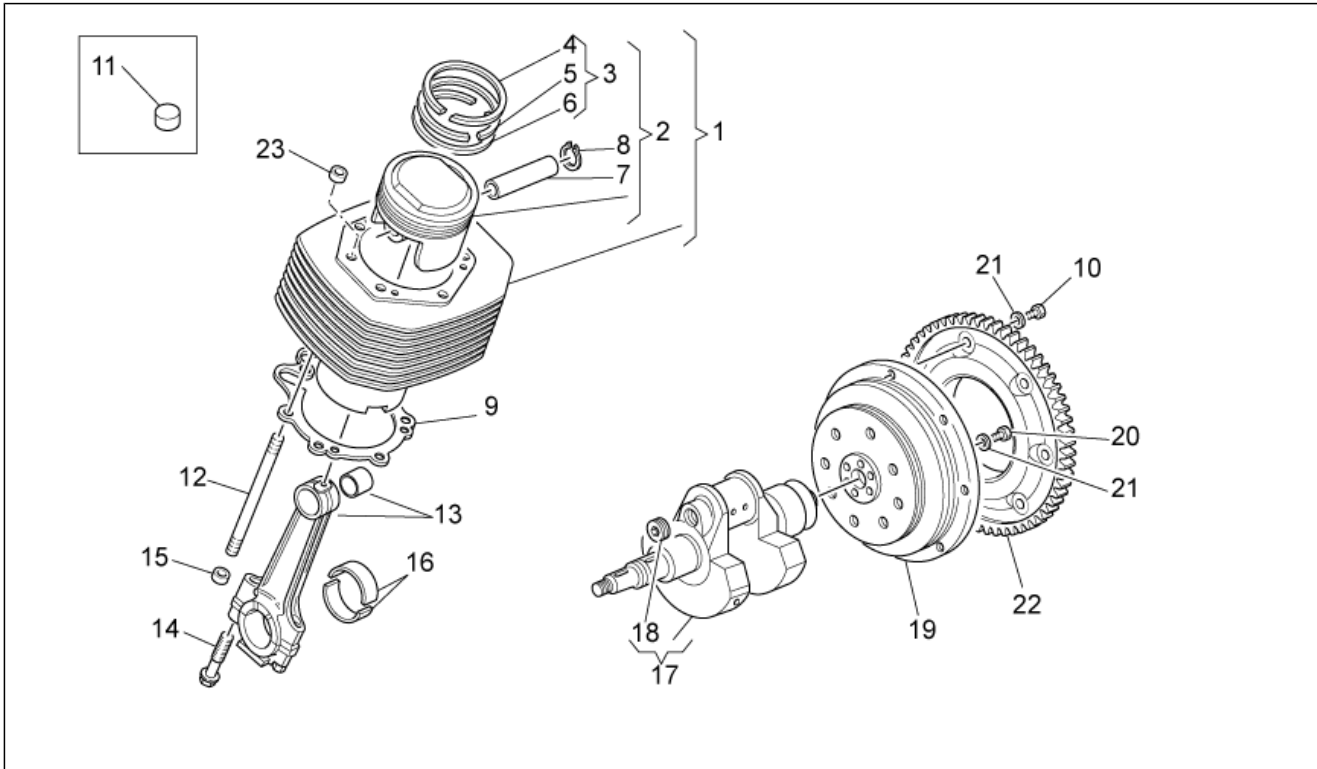
| Pos. | Code | Description | Qty | Variants |
|------|------------|---------------------------------|-----|----------|
| 1 | 976079 | RH head assy w/h valve grey | 1 | |
| 2 | 976080 | LH head assy without valve grey | 1 | |
| 3 | 976144 | screw | 4 | |
| 4 | GU05025331 | Rubber spacer | 18 | |
| 5 | GU05036131 | Exhaust valve | 2 | |
| 6 | GU05036030 | Intake valve | 2 | |
| 7 | GU90353016 | Snap ring | 4 | |
| 8 | 976139 | Cover gasket | 2 | |
| 9 | GU32023910 | Breather union on head | 2 | |
| 10 | 976181 | Lower cup 14,2x32x7 | 4 | |
| 11 | GU37037405 | Outer spring | 4 | |
| 12 | GU37037605 | Inner spring | 4 | |
| 13 | GU01038060 | Upper cup | 4 | |
| 14 | GU01038160 | Valve half-cone | 8 | |
| 15 | GU12022600 | Oil plug | 2 | |
| 16 | GU90706203 | O-ring 20,24X2,62 | 2 | |
| 17 | GU10034100 | Nut | 4 | |
| 18 | GU95129180 | Washer 10,5X18X0,8 | 4 | |
| 19 | GU96508040 | Stud bolt | 4 | |
| 20 | 976087 | Gasket | 2 | |
| 21 | GU17034050 | Adjuster screw | 4 | |
| 22 | 976152 | RH.Rocker arm support | 1 | |
| 23 | GU92603010 | Nut M10X1,5 | 10 | |
| 24 | GU14018400 | Washer 10,5X21X1 | 10 | |
| 25 | GU14030201 | RH rocker arm assy | 2 | |
| 26 | GU14030401 | LH rocker arm assy | 2 | |
| 27 | GU91111511 | Bushing 15x18x43 | 4 | |
| 28 | 976107 | Valve stem seal D8 | 4 | |

| | |
|--------------------|--------|
| Group | ENGINE |
| Code | 34.32 |
| Description | Heads |
| Service | 1 |



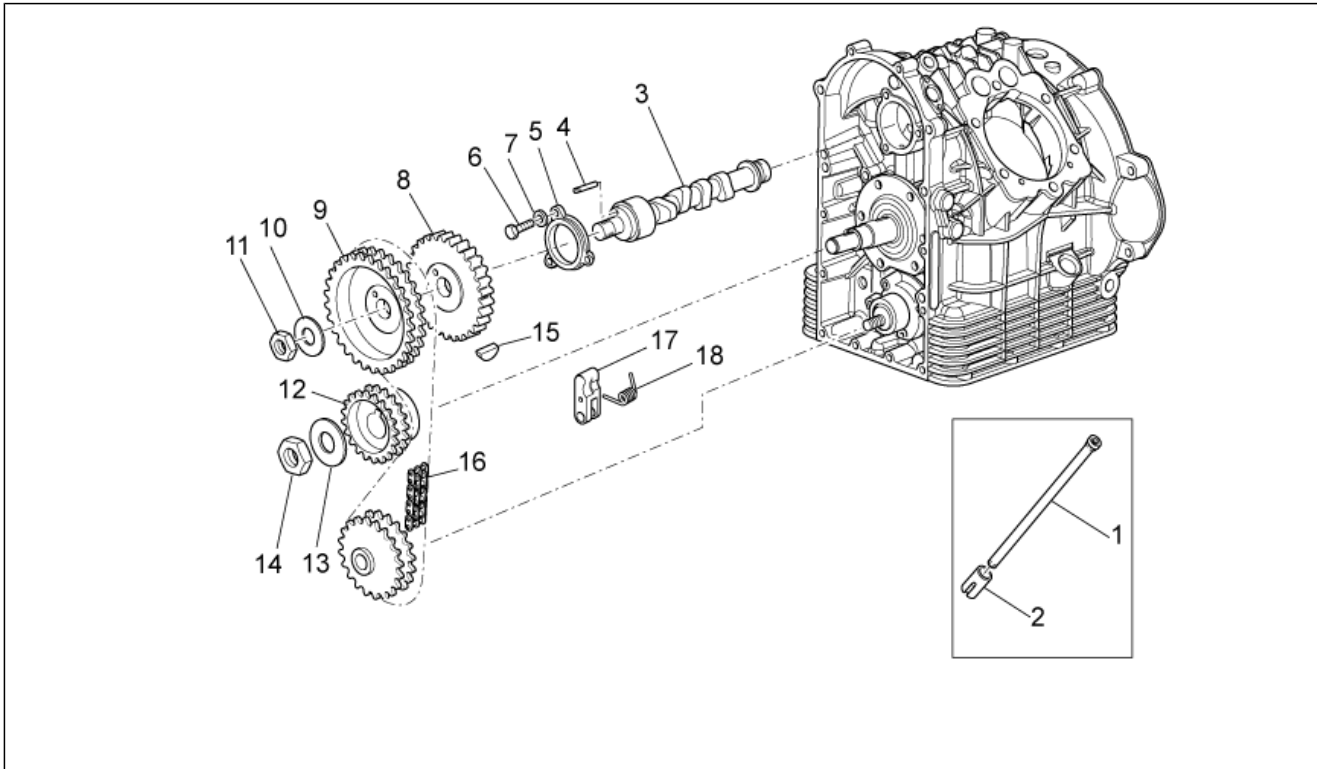
| Pos. | Code | Description | Qty | Variants |
|------|------------|------------------------|-----|----------|
| 29 | GU98692325 | Hex socket screw M6x25 | 16 | |
| 30 | GU94322215 | Spring | 4 | |
| 31 | GU90118152 | Washer 15,2x26x1 | 8 | |
| 32 | GU10032700 | Washer 15,2x26x0,5 | 4 | |
| 33 | GU12031800 | Rocker shaft | 4 | |
| 34 | GU98084316 | Hex screw | 4 | |
| 35 | GU95120065 | Washer 6,5x11x2 | 4 | |
| 36 | 976153 | LH.Rocker arm support | 1 | |
| 37 | 224202 | O-ring 8,73x1,78-viton | 4 | |
| 38 | 825597 | Pin 11,8X10 | 4 | |
| 39 | 978679 | Chromed Head cover | 2 | |
| 40 | 978681 | Spark plug guard crom. | 2 | |
| 41 | 977044 | RH protection | 1 | |
| 42 | 977045 | LH protection | 1 | |
| 43 | GU18941750 | Rubber spacer | 2 | |
| 44 | 976068 | Cover | 2 | |
| 45 | 969973 | Washer | 2 | |

| | |
|--------------------|---------------------|
| Group | ENGINE |
| Code | 34.33 |
| Description | Crankshaft - Piston |
| Service | 1 |



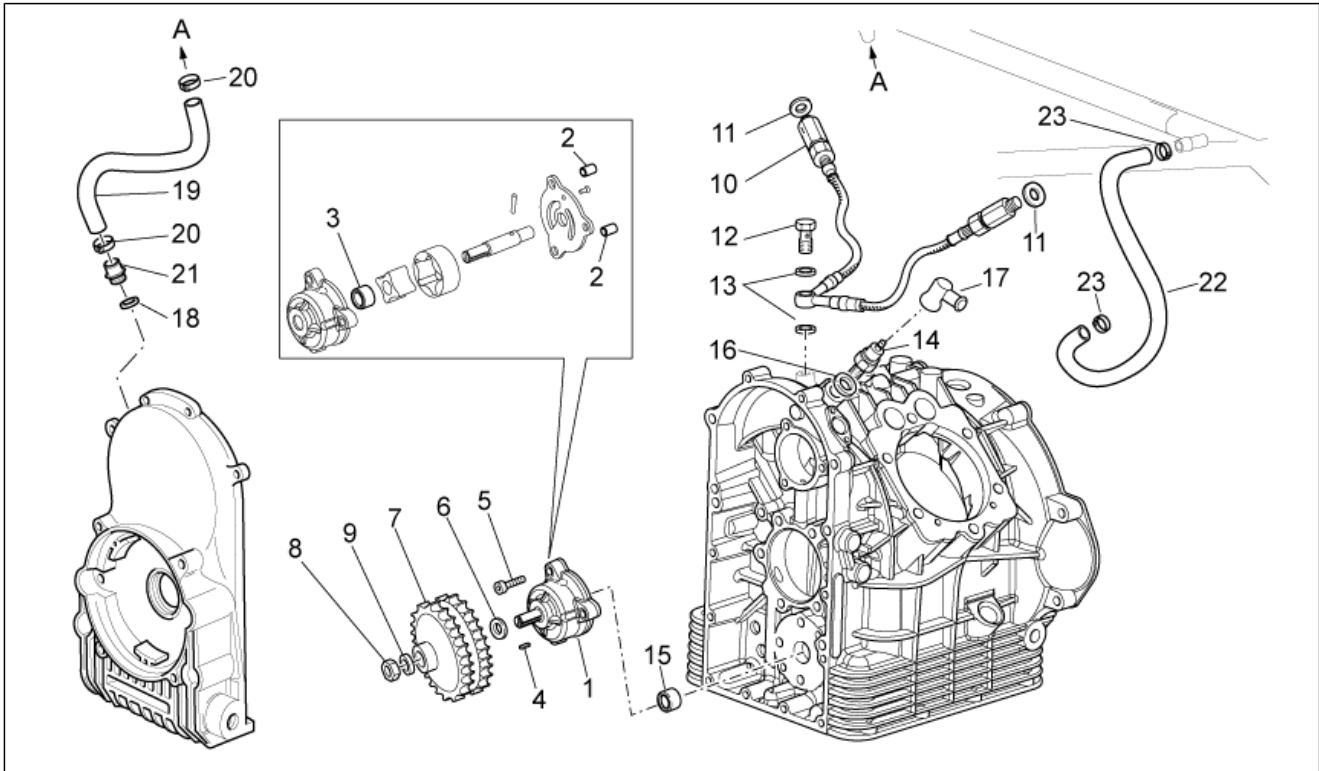
| Pos. | Code | Description | Qty | Variants |
|------|------------|--------------------------------|-----|--|
| 1 | 976196 | Cylinder with piston | 2 | |
| 2 | GU05060230 | Piston assy | 2 | |
| 3 | GU05060630 | Pistonring set | 2 | |
| 4 | GU05060730 | Piston ring | 2 | |
| 5 | GU05060930 | Piston ring | 2 | |
| 6 | GU05061030 | Piston ring | 2 | |
| 7 | GU30061241 | Piston pin | 2 | |
| 8 | GU90351038 | Stop ring | 4 | |
| 9 | 976064 | Gasket | 2 | |
| 10 | GU98084420 | screw M8x20 | 8 | |
| 11 | GU05025330 | Rubber spacer | 54 | |
| 12 | 976031 | Stud bolt | 8 | |
| 13 | 976003 | Connecting rod cpl. | 2 | |
| 14 | 849131 | Connecting rod screw | 4 | |
| 15 | 825597 | Pin 11,8X10 | 6 | |
| 16 | 976171 | Bearing half-shell 1,539-1,544 | 4 | Technical Specifications: Blue sign[BS] |
| 16 | 976172 | Bearing half-shell 1,535-1,540 | 4 | Technical Specifications: Red sign[RS] |
| 17 | 976188 | Crankshaft cpl. | 1 | |
| 18 | GU37065405 | Cover | 1 | |
| 19 | GU03067030 | Flywheel cpl. | 1 | |
| 20 | GU12067701 | screw | 6 | |
| 21 | GU14615901 | Washer 8,4X13X0,8 | 14 | |
| 22 | GU17067900 | Chain ring | 1 | |

| | |
|--------------------|---------------|
| Group | ENGINE |
| Code | 34.34 |
| Description | Timing system |
| Service | 1 |



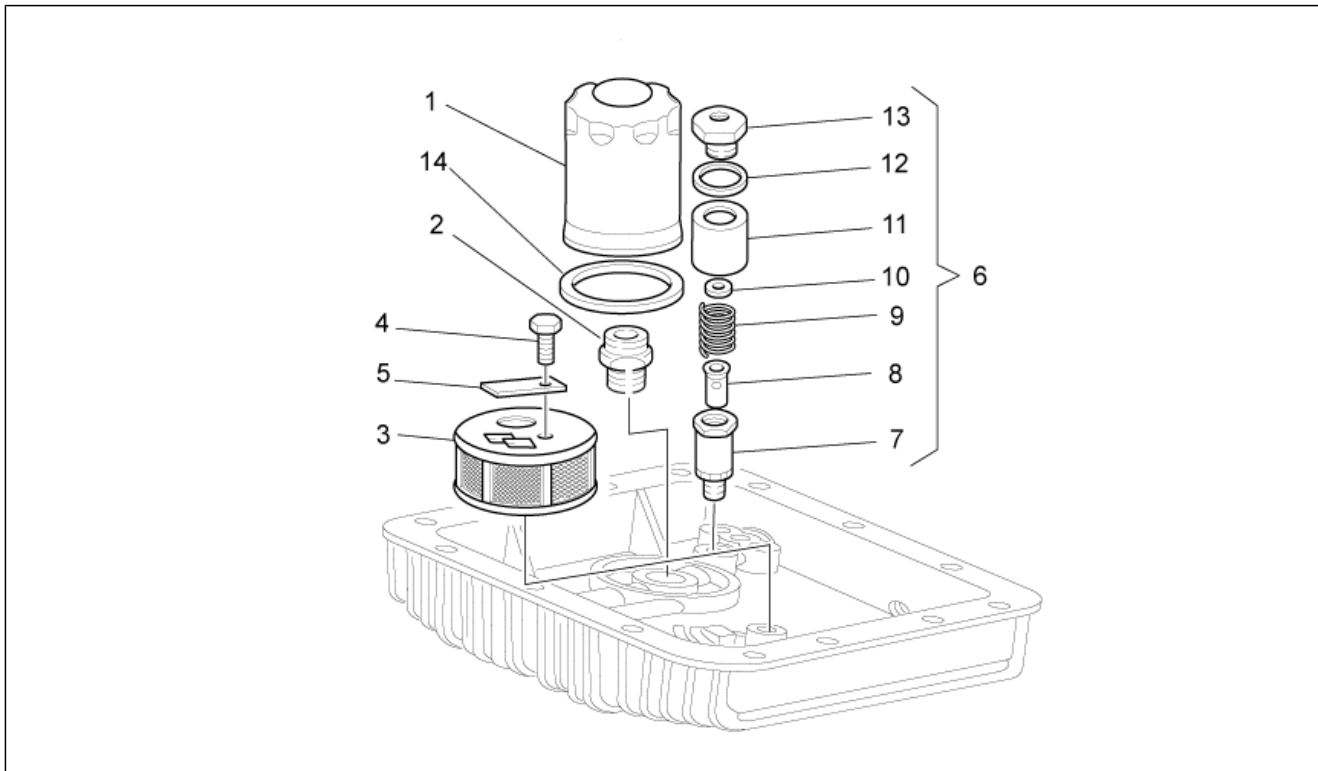
| Pos. | Code | Description | Qty | Variants |
|------|------------|--------------------------------|-----|----------|
| 1 | GU37045006 | Rocker arm rod | 4 | |
| 2 | GU17045860 | Tappet | 4 | |
| 3 | GU05053331 | Camshaft | 1 | |
| 4 | GU14234600 | Pin | 1 | |
| 5 | GU01054001 | Flange | 1 | |
| 6 | GU98084320 | Hex screw M6x20 | 3 | |
| 7 | GU95120065 | Washer 6,5x11x2 | 3 | |
| 8 | GU01051730 | Wheel speed sensor, left front | 1 | |
| 9 | GU05054532 | Timing system gear | 1 | |
| 10 | GU14433400 | Spring washer 19x34x1,5 | 1 | |
| 11 | GU92750180 | Nut M18 | 1 | |
| 12 | GU14072001 | Pinion | 1 | |
| 13 | GU95100837 | Washer 25,5x35x2 | 1 | |
| 14 | GU92602525 | Nut M25 | 1 | |
| 15 | GU91702355 | Transmission key | 1 | |
| 16 | GU05058030 | Chain | 1 | |
| 17 | GU30058310 | Chain guide plate | 1 | |
| 18 | GU30059211 | Spring | 1 | |

| | |
|--------------------|----------|
| Group | ENGINE |
| Code | 34.35 |
| Description | Oil pump |
| Service | 1 |



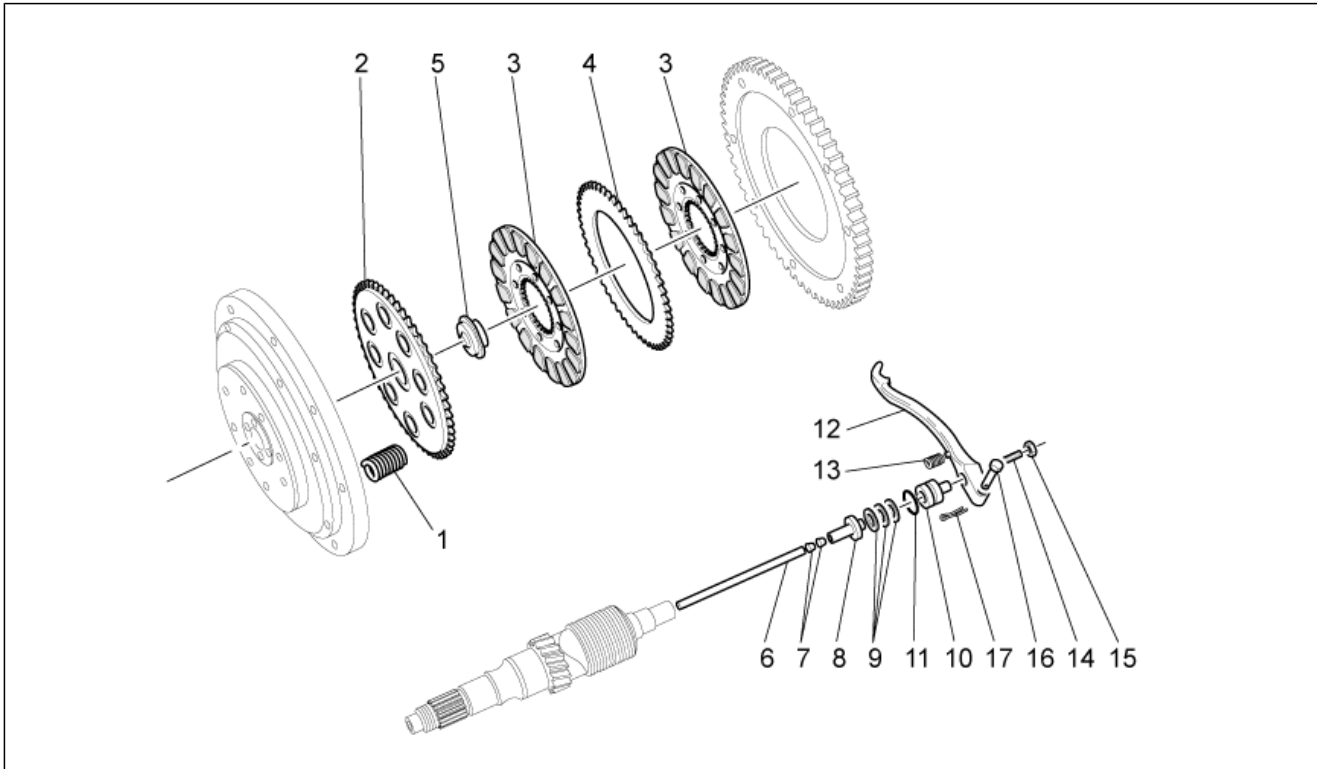
| Pos. | Code | Description | Qty | Variants |
|------|---------------|----------------------------|-----|----------|
| 1 | 976134 | Oil pump | 1 | |
| 2 | 277916 | Locating dowel | 2 | |
| 3 | 976165 | Cage à rouleaux 12x18x12 | 1 | |
| 4 | GU13148300 | Transmission key | 1 | |
| 5 | GU98350330 | Hex socket screw M6x30 | 3 | |
| 6 | 976448 | Fifth wheel | 1 | |
| 7 | GU30147700 | Oil pump gear | 1 | |
| 8 | GU92602510 | Nut M10x1,25 | 1 | |
| 9 | GU19149800 | Washer 10,5x16x1 | 1 | |
| 10 | GU05153630 | Pipe | 1 | |
| 11 | GU25656102 | Gasket | 2 | |
| 12 | GU95990037 | screw | 1 | |
| 13 | GU12154200 | Gasket 8,25x15x1 | 2 | |
| 14 | GU31768780 | Pressure sensor | 1 | |
| 15 | 976168 | Cage à rouleaux 10x14x12 | 1 | |
| 16 | GU12006400 | Gasket 12,25 | 1 | |
| 17 | 976688 | Pressure oil sensor cap | 1 | |
| 18 | GU18144350 | Washer 18,25x24x1 | 1 | |
| 19 | GU03157460 | pipe | 1 | |
| 20 | GU28157850 | Hose clamp | 2 | |
| 21 | GU03007260 | Joint | 1 | |
| 22 | GU00823956080 | Rubber pipe 12,5X7,8 5/16" | 1 | |
| 23 | AP8102764 | White hose clip d.13x6 | 2 | |

| | |
|--------------------|-------------|
| Group | ENGINE |
| Code | 34.36 |
| Description | Oil filters |
| Service | 1 |



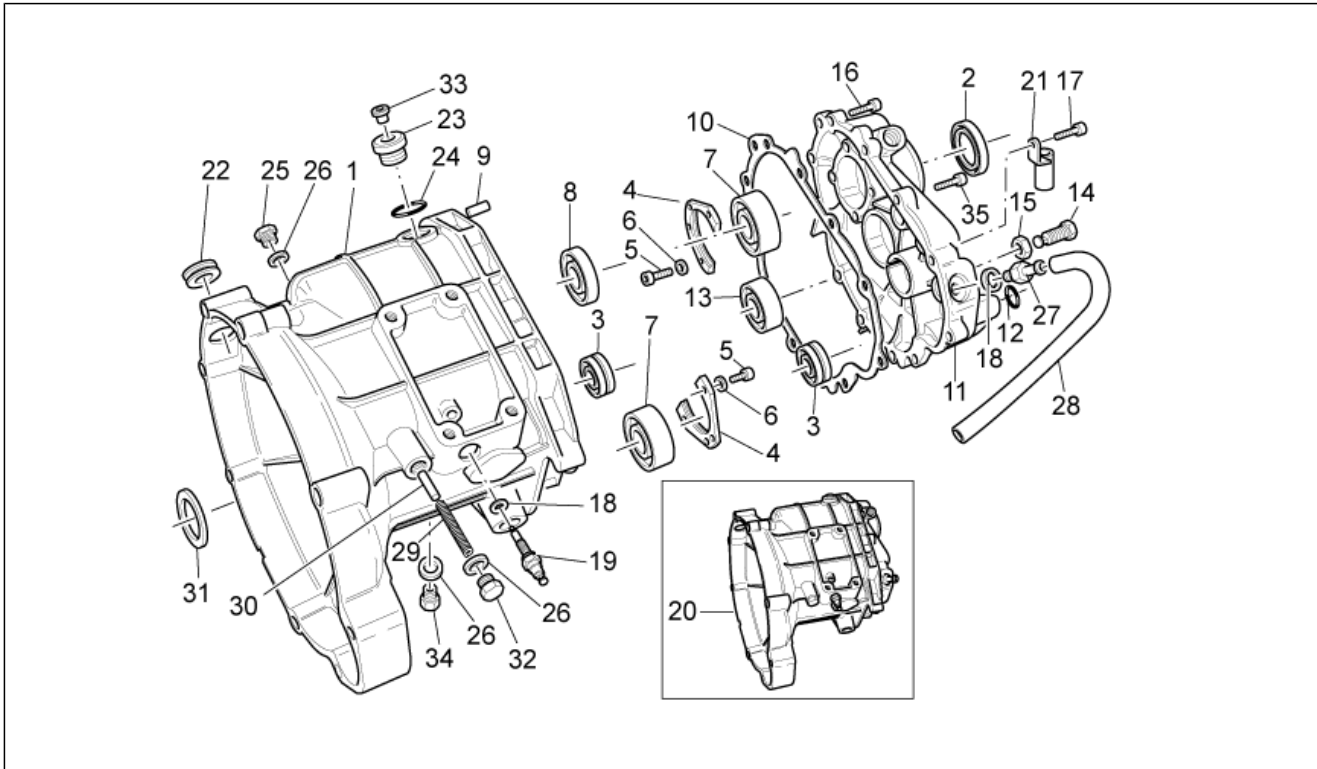
| Pos. | Code | Description | Qty | Variants |
|------|------------|-------------------|-----|----------|
| 1 | GU30153000 | Oil filter | 1 | |
| 2 | GU30003800 | Oil filter union | 1 | |
| 3 | GU14152200 | Oil filter | 1 | |
| 4 | GU98084316 | Hex screw | 1 | |
| 5 | GU95187006 | Plate | 1 | |
| 6 | GU03158200 | Oil valve cpl. | 1 | |
| 7 | GU30158701 | Valve body | 1 | |
| 8 | GU30150900 | Piston | 1 | |
| 9 | GU94321079 | Spring | 1 | |
| 10 | GU30158900 | Washer | 1 | |
| 11 | GU30158800 | Cup | 1 | |
| 12 | GU18144350 | Washer 18,25x24x1 | 1 | |
| 13 | GU30159000 | Cover | 1 | |
| 14 | 981115 | Gasket | 1 | |

| | |
|--------------------|--------|
| Group | ENGINE |
| Code | 34.37 |
| Description | Clutch |
| Service | 1 |



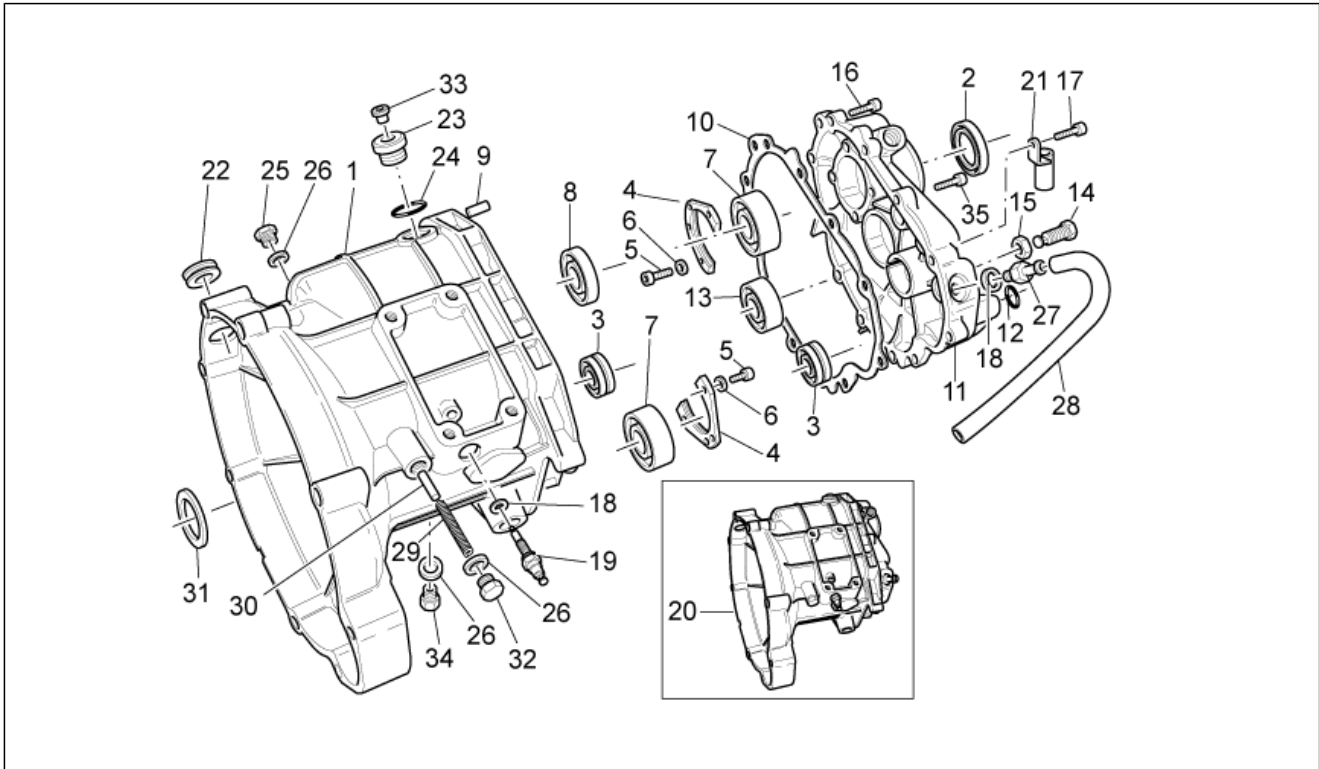
| Pos. | Code | Description | Qty | Variants |
|------|------------|-----------------------|-----|----------|
| 1 | GU13084100 | Clutch spring | 8 | |
| 2 | GU12082901 | Disc | 1 | |
| 3 | GU05084430 | Clutch plate complete | 2 | |
| 4 | GU12082300 | Intermediate plate | 1 | |
| 5 | GU12082800 | Cup | 1 | |
| 6 | GU14085700 | Rod | 1 | |
| 7 | GU14085900 | Bush | 2 | |
| 8 | GU14086000 | Inner body | 1 | |
| 9 | GU12087001 | Thrust bearing | 1 | |
| 10 | GU14086100 | Outer body | 1 | |
| 11 | GU90706170 | O-ring 17,13x2,62 | 1 | |
| 12 | GU14090202 | Clutch release shaft | 1 | |
| 13 | GU94321105 | Lever return spring | 1 | |
| 14 | GU14090400 | Adjuster screw | 1 | |
| 15 | GU92606508 | Nut | 1 | |
| 16 | GU95780271 | Pin 7x39 | 1 | |
| 17 | GU95500222 | Split pin | 1 | |

| | |
|--------------------|-------------------|
| Group | ENGINE |
| Code | 34.38 |
| Description | Transmission cage |
| Service | 1 |



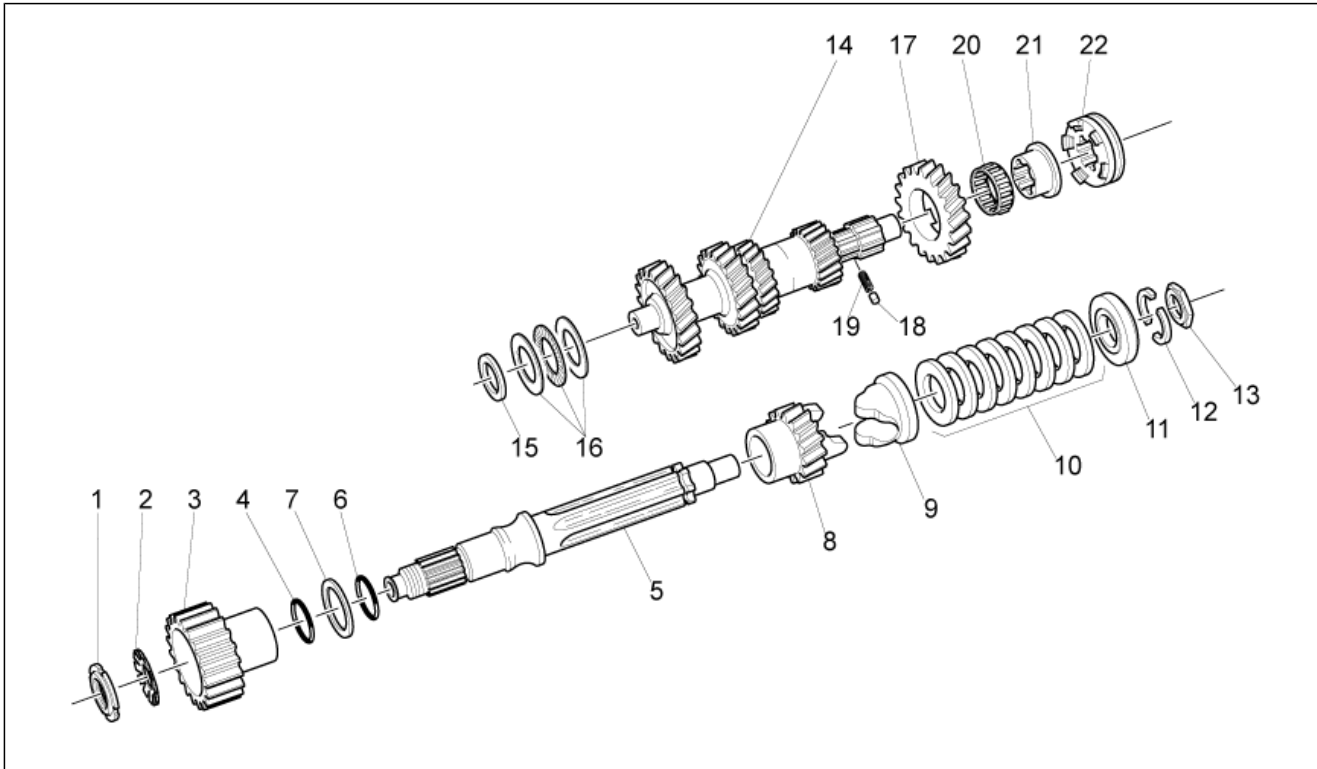
| Pos. | Code | Description | Qty | Variants |
|------|---------------|----------------------------|-----|----------|
| 1 | GU03200255 | Gearbox black | 1 | |
| 2 | GU90403547 | Gasket ring 35x47x7 | 1 | |
| 3 | GU92256218 | Roller bearing 17x35x15 | 2 | |
| 4 | GU14213803 | plate | 2 | |
| 5 | GU98682316 | Hex socket screw M6x16 | 6 | |
| 6 | GU14217901 | Washer 6,4x10x0,7 | 6 | |
| 7 | GU92218424 | Ball bearing AF/AS 25x52 | 2 | |
| 8 | GU92234717 | Roller bearing AS 17x47x14 | 1 | |
| 9 | GU95512081 | Pin | 2 | |
| 10 | GU14201110 | Gasket | 1 | |
| 11 | GU03200855 | Case cover black | 1 | |
| 12 | GU90706140 | O-ring 13,95x2,92 | 1 | |
| 13 | GU92201417 | Ball bearing AP 17x47x14 | 1 | |
| 14 | GU14237800 | screw | 1 | |
| 15 | GU92606512 | Low nut M12x1,25 | 1 | |
| 16 | GU98682325 | Hex socket screw M6x25 | 9 | |
| 17 | GU98680335 | Hex socket screw M6x35 | 1 | |
| 18 | GU12154200 | Gasket 8,25x15x1 | 4 | |
| 19 | GU19207220 | Sensor | 1 | |
| 20 | GU03991572 | Complete gearbox black | 1 | |
| 21 | GU30424660 | Maintenance | 1 | |
| 22 | GU93180220 | Cover | 1 | |
| 23 | GU12022600 | Oil plug | 1 | |
| 24 | GU90706203 | O-ring 20,24x2,62 | 1 | |
| 25 | GU95980214 | Oil level plug | 1 | |
| 26 | GU01528930 | Gasket 10x18x1,5 | 3 | |
| 27 | GU14204955 | Oil breather valve | 1 | |
| 28 | GU00823956080 | Rubber pipe 12,5X7,8 5/16" | 1 | |

| | |
|--------------------|-------------------|
| Group | ENGINE |
| Code | 34.38 |
| Description | Transmission cage |
| Service | 1 |



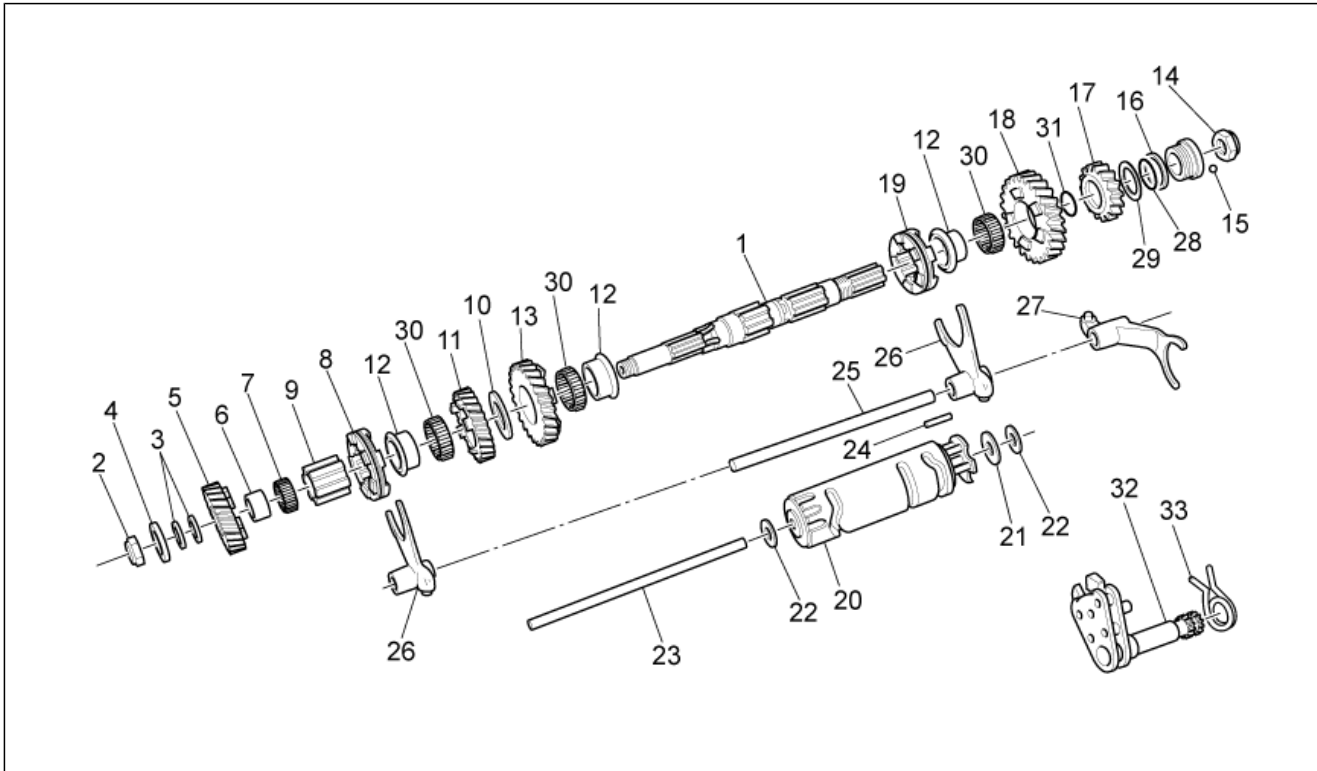
| Pos. | Code | Description | Qty | Variants |
|------|------------|-----------------------------------|-----|----------|
| 29 | GU94321067 | Lever return spring | 1 | |
| 30 | GU28234700 | Pawl | 1 | |
| 31 | GU90403548 | Gasket ring 35x47x7/6,5 | 1 | |
| 32 | GU95980610 | Cover | 1 | |
| 33 | GU93180245 | Cover | 1 | |
| 34 | GU31003766 | Oil unload plug M10x1 | 1 | |
| 35 | GU98882325 | Low head socket screw M6x25 M6x25 | 1 | |

| | |
|--------------------|--------------------|
| Group | ENGINE |
| Code | 34.39 |
| Description | Primary gear shaft |
| Service | 1 |



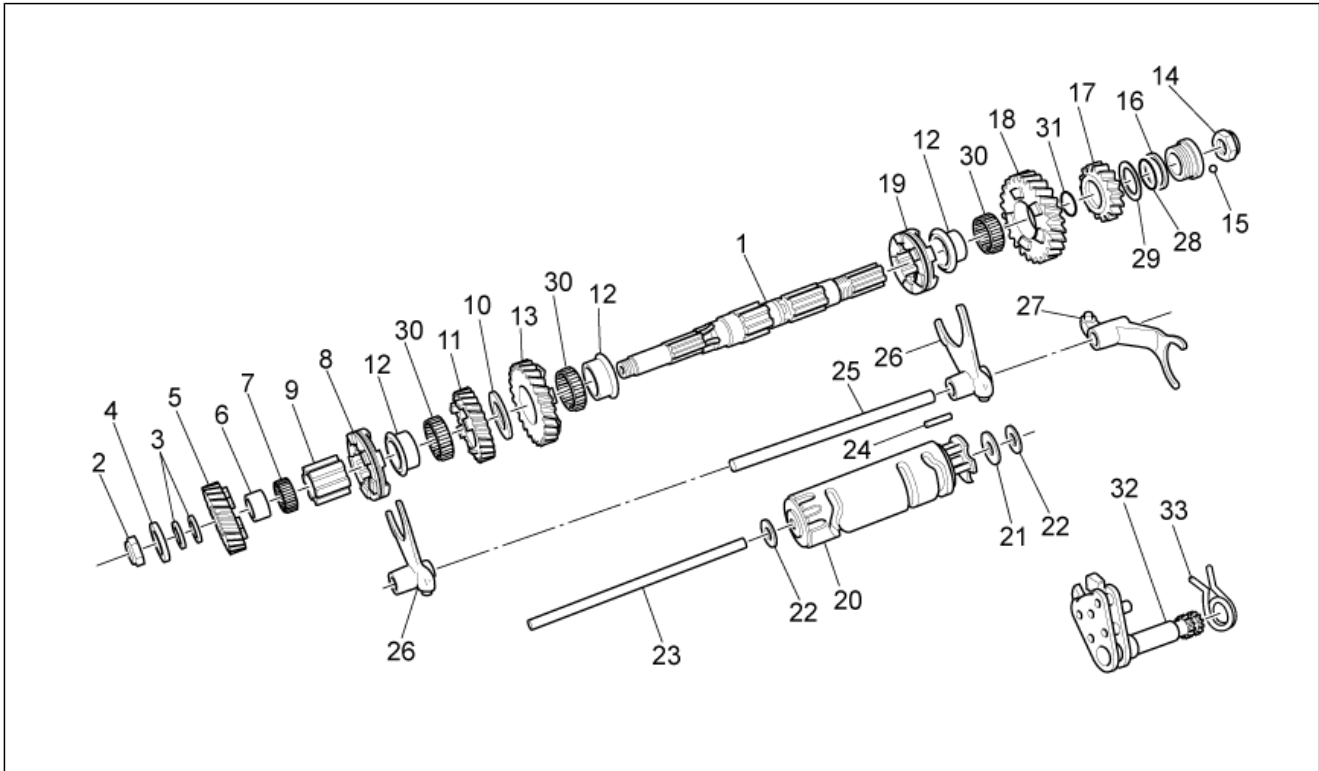
| Pos. | Code | Description | Qty | Variants |
|------|------------|----------------------------------|-----|----------|
| 1 | GU93601022 | Ring nut | 1 | |
| 2 | GU95028022 | Washer 22x20x3,9 | 1 | |
| 3 | GU30081810 | Clutch gear | 1 | |
| 4 | GU90706235 | O-ring 23,52x1,78 | 1 | |
| 5 | GU14210702 | Clutch shaft | 1 | |
| 6 | GU90706203 | O-ring 20,24X2,62 | 1 | |
| 7 | GU14218401 | Oil-spreading washer 25,1x36x0,5 | 1 | |
| 8 | GU03211160 | Idle gear Z=17 | 1 | |
| 9 | GU03211260 | Hose | 1 | |
| 10 | GU04211500 | Belleville spring | 8 | |
| 11 | GU03211660 | Disc | 1 | |
| 12 | GU12211700 | Half ring | 2 | |
| 13 | GU14219401 | Spacer | 1 | |
| 14 | GU14210513 | Primary gear shaft | 1 | |
| 15 | GU18211050 | Thrust washer sp.2 | 1 | |
| 15 | GU18211051 | Thrust washer sp.2,1 | 1 | |
| 15 | GU18211052 | Thrust washer sp.2,2 | 1 | |
| 15 | GU18211054 | Thrust washer sp.2,4 | 1 | |
| 16 | 976532 | Thrust bearing | 1 | |
| 17 | GU03212000 | Gear 5a AP 5 inn.Z=28 | 1 | |
| 18 | GU92296750 | Roller | 1 | |
| 19 | GU94321051 | Spring | 1 | |
| 20 | GU92251030 | Roller cage 30x35x13 | 1 | |
| 21 | GU14212210 | Bush 5a AP | 1 | |
| 22 | GU30231525 | Sliding sleeve | 1 | |

| | |
|--------------------|--------------|
| Group | ENGINE |
| Code | 34.40 |
| Description | Driven shaft |
| Service | 1 |



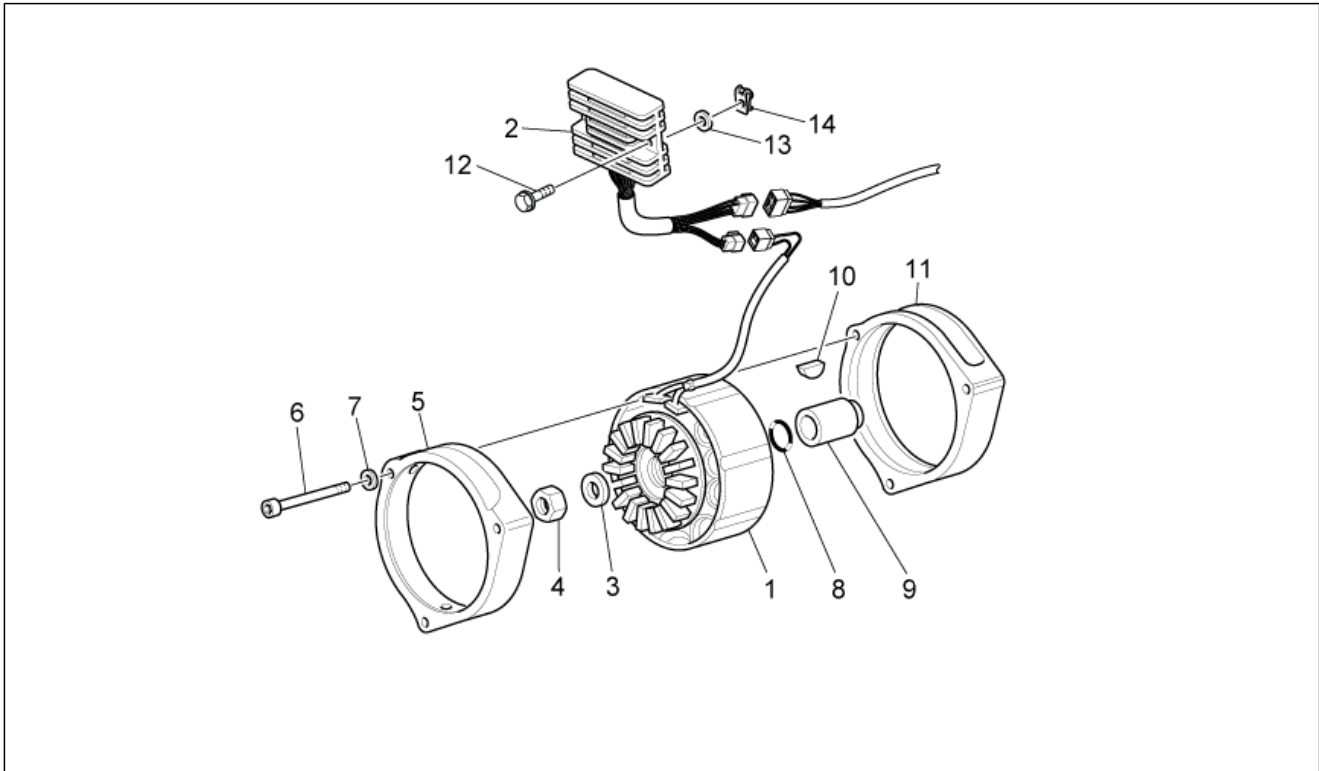
| Pos. | Code | Description | Qty | Variants |
|------|------------|-----------------------------|-----|----------|
| 1 | GU14213612 | Driven shaft | 1 | |
| 2 | GU14217410 | Nut | 1 | |
| 3 | GU43083810 | Shim 17,25x27x0,5 | 4 | |
| 4 | GU14215400 | Clearance washer 17,1x30 | 1 | |
| 5 | GU03215100 | Gear 4a AS 5 inn.Z=20 | 1 | |
| 6 | GU92259017 | Ring 4a | 1 | |
| 7 | GU92251022 | Roller cage 4a A.S. | 1 | |
| 8 | GU30231025 | Hose 3a-4a AS 5 inn. | 1 | |
| 9 | GU14232512 | Hose | 1 | |
| 10 | GU14218011 | Washer 25x40x3 | 1 | |
| 11 | GU03214800 | Gear 3a AS 5 inn.Z=22 | 1 | |
| 12 | GU14213001 | Bush 1a-2a-3a AS | 3 | |
| 13 | GU03214500 | Gear 2a AS 5 inn.Z=25 | 1 | |
| 14 | GU14219310 | Nut | 1 | |
| 15 | GU92295702 | Ball | 1 | |
| 16 | GU14217300 | Washer 22,1x32x2 | 1 | |
| 17 | GU14215213 | Gear 5a AS Z=21 | 1 | |
| 18 | GU30214225 | Gear 1a AS 5 inn.Z=28 | 1 | |
| 19 | GU30230725 | Sliding sleeve 1a-2aAS5 inn | 1 | |
| 20 | GU03234400 | Shift cam | 1 | |
| 21 | GU14235500 | Washer 8,2x28x1 | 1 | |
| 22 | GU55235000 | Shim 0,6 mm | 2 | |
| 22 | GU55235001 | Shim 0,8 mm | 2 | |
| 22 | GU55235002 | Shim 1 mm | 2 | |
| 22 | GU55235003 | Shim 1,2 mm | 2 | |
| 23 | GU14234300 | Rod | 3 | |
| 24 | GU14234600 | Pin | 1 | |
| 25 | GU14232400 | Rod | 4 | |

| | |
|--------------------|--------------|
| Group | ENGINE |
| Code | 34.40 |
| Description | Driven shaft |
| Service | 1 |



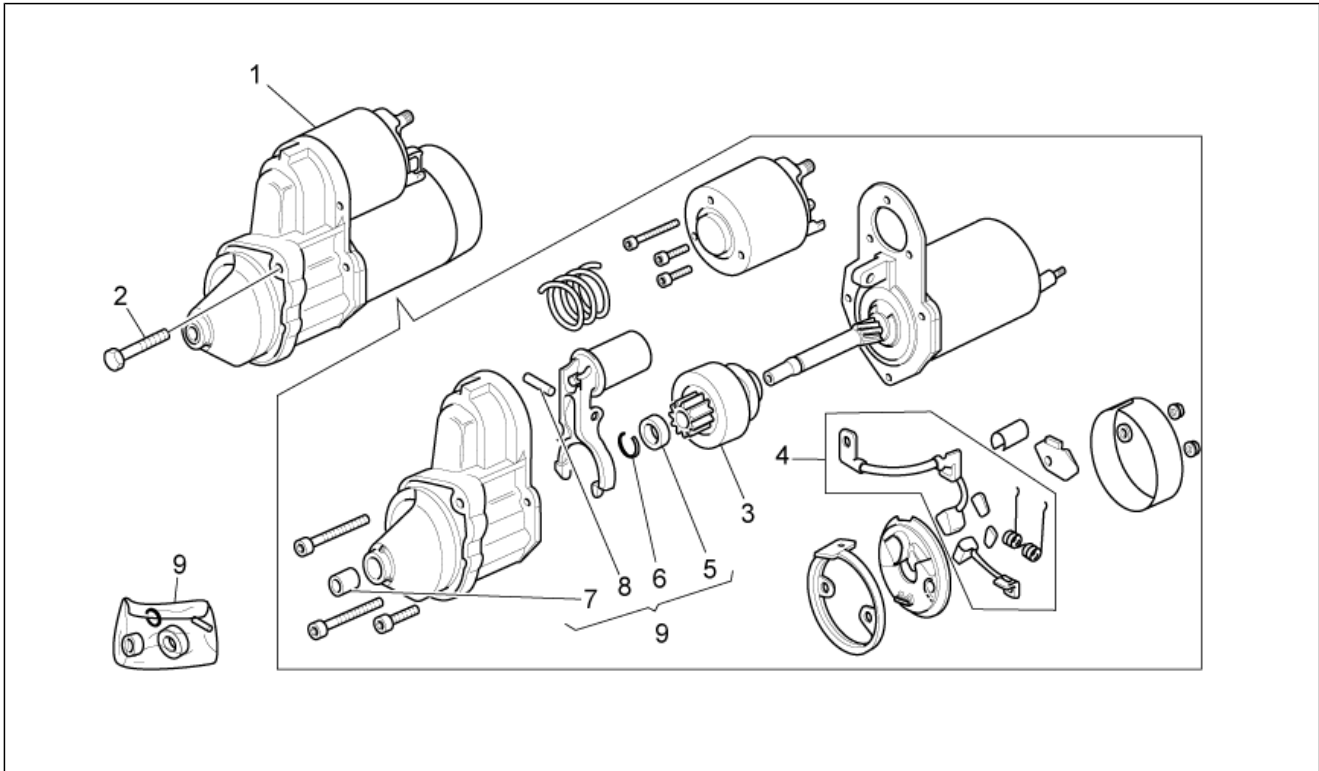
| Pos. | Code | Description | Qty | Variants |
|------|------------|-----------------------|-----|----------|
| 26 | GU14230501 | Fork 1a-2a-3a-4a | 1 | |
| 27 | GU14231201 | Fork | 2 | |
| 28 | GU90706219 | O-ring 21,95x1,78 | 1 | |
| 29 | GU28217350 | Washer | 1 | |
| 30 | GU92251030 | Roller cage 30x35x13 | 3 | |
| 31 | GU90706203 | O-ring 20,24X2,62 | 1 | |
| 32 | GU03236250 | Preselection complete | 1 | |
| 33 | GU28238261 | Spring | 1 | |

| | |
|--------------------|-----------------------|
| Group | ENGINE |
| Code | 34.41 |
| Description | Generator - Regulator |
| Service | 1 |



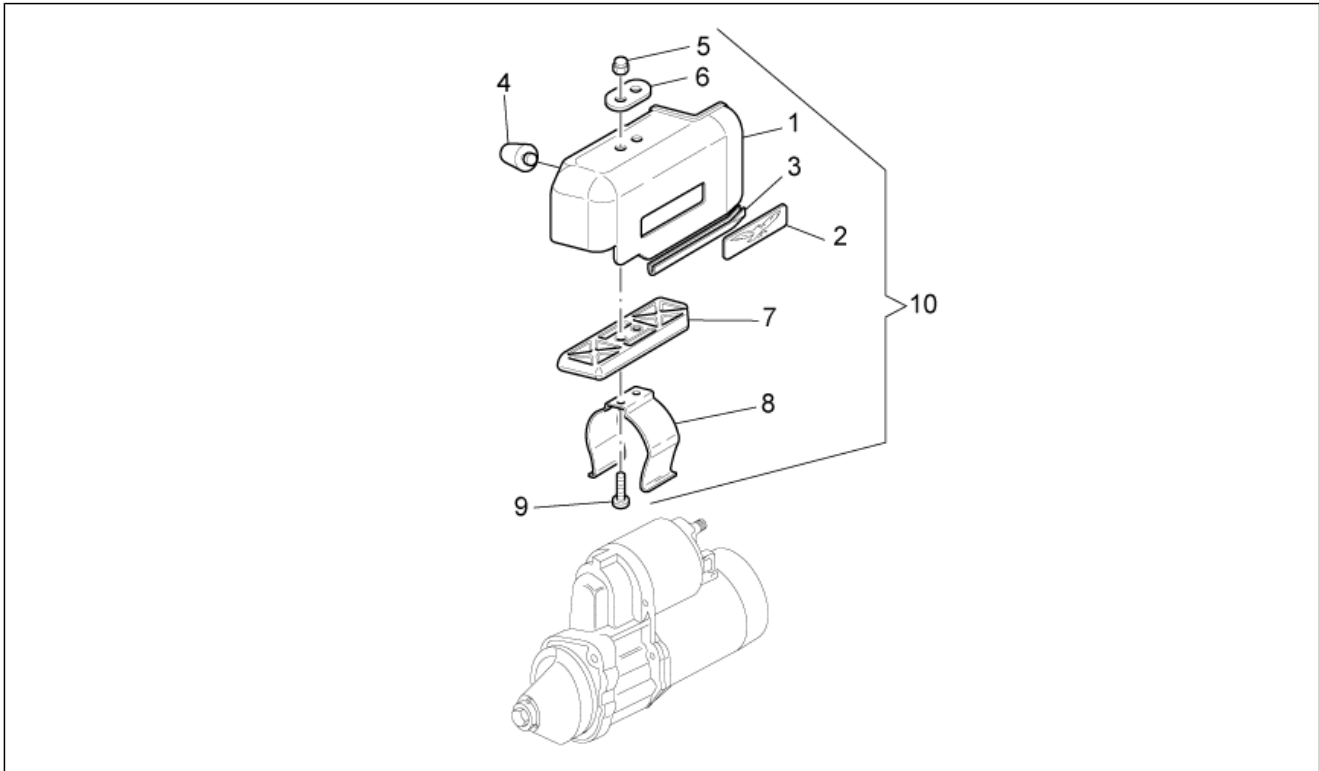
| Pos. | Code | Description | Qty | Variants |
|------|------------|-----------------------|-----|----------|
| 1 | GU32712411 | Ducati generator | 1 | |
| 2 | GU32703810 | DUCATI regulator | 1 | |
| 3 | GU30714201 | Washer 16,25x24,5x5 | 1 | |
| 4 | GU92606516 | Nut M16 | 1 | |
| 5 | GU29711460 | Front calotte | 1 | |
| 6 | GU98680265 | Hex socket screw | 3 | |
| 7 | GU29217960 | Washer 5,9X3X0,8 | 3 | |
| 8 | GU90706178 | O-ring 17,86X2,62 | 1 | |
| 9 | GU37712306 | Spacer | 1 | |
| 10 | GU91600450 | Transmission key | 1 | |
| 11 | GU29711960 | Rear cap | 1 | |
| 12 | AP8152282 | Screw w/ flange M6x35 | 2 | |
| 13 | GU95100141 | Washer 6,4x12x1,2 | 2 | |
| 14 | GU28576591 | Clip M6 | 2 | |

| | |
|--------------------|---------------|
| Group | ENGINE |
| Code | 34.42 |
| Description | Starter motor |
| Service | 1 |



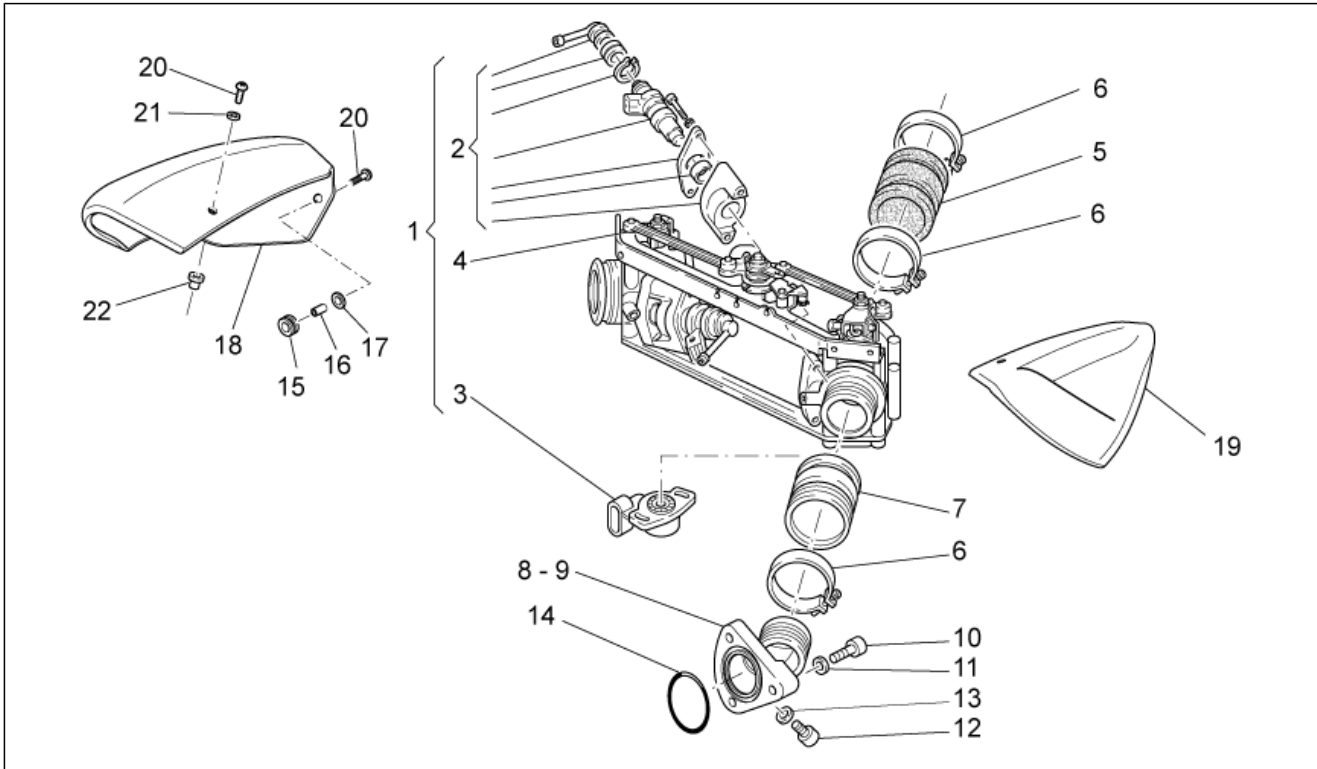
| Pos. | Code | Description | Qty | Variants |
|------|------------|----------------------------|-----|----------|
| 1 | GU30730711 | Starter motor Valeo | 1 | |
| 2 | GU98082475 | Hex screw M8x75 | 2 | |
| 3 | GU30530510 | Pinion assy | 1 | |
| 4 | GU30530511 | Brush revision set | 1 | |
| 5 | 0000000 | Tyre | 1 | |
| 6 | 0000000 | Tyre | 1 | |
| 7 | 0000000 | Tyre | 1 | |
| 8 | 0000000 | Tyre | 1 | |
| 9 | GU30530512 | Starter motor revision kit | 1 | |

| | |
|--------------------|---------------------|
| Group | ENGINE |
| Code | 34.43 |
| Description | Starter motor cover |
| Service | 1 |



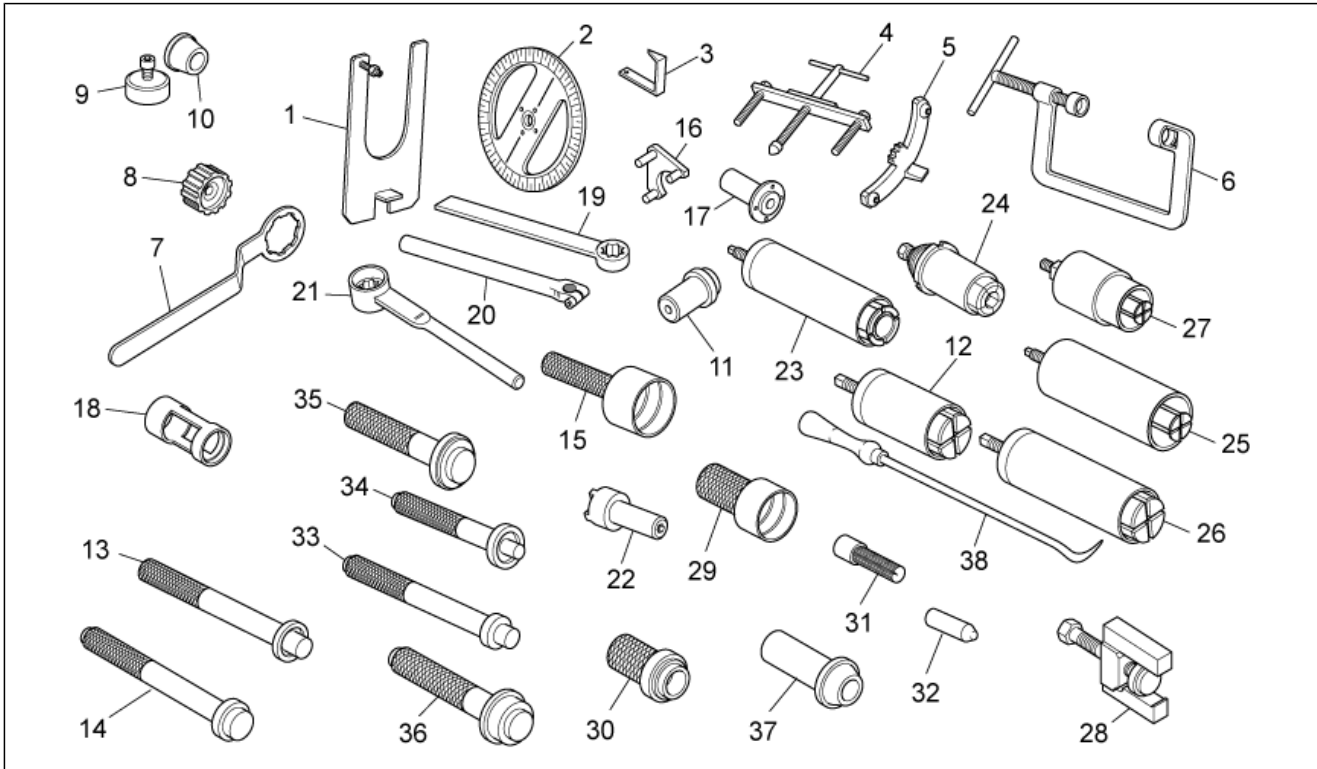
| Pos. | Code | Description | Qty | Variants |
|------|---------------|-----------------------------|-----|----------|
| 1 | GU03733300 | Starter device cover | 1 | |
| 2 | GU01517700 | Decal "Aquila" | 1 | |
| 3 | GU00823931055 | Gasket | 1 | |
| 4 | GU93180577 | Rubber spacer | 1 | |
| 5 | GU92787205 | Cap nut | 2 | |
| 6 | GU03436300 | Plate | 1 | |
| 7 | GU03733000 | Insulating spacer | 1 | |
| 8 | GU03733400 | Hose clamp | 1 | |
| 9 | GU03733500 | screw | 2 | |
| 10 | GU03733200 | Motor cover assy chr.plated | 1 | |

| | |
|--------------------|---------------|
| Group | ENGINE |
| Code | 34.44 |
| Description | Throttle body |
| Service | 1 |



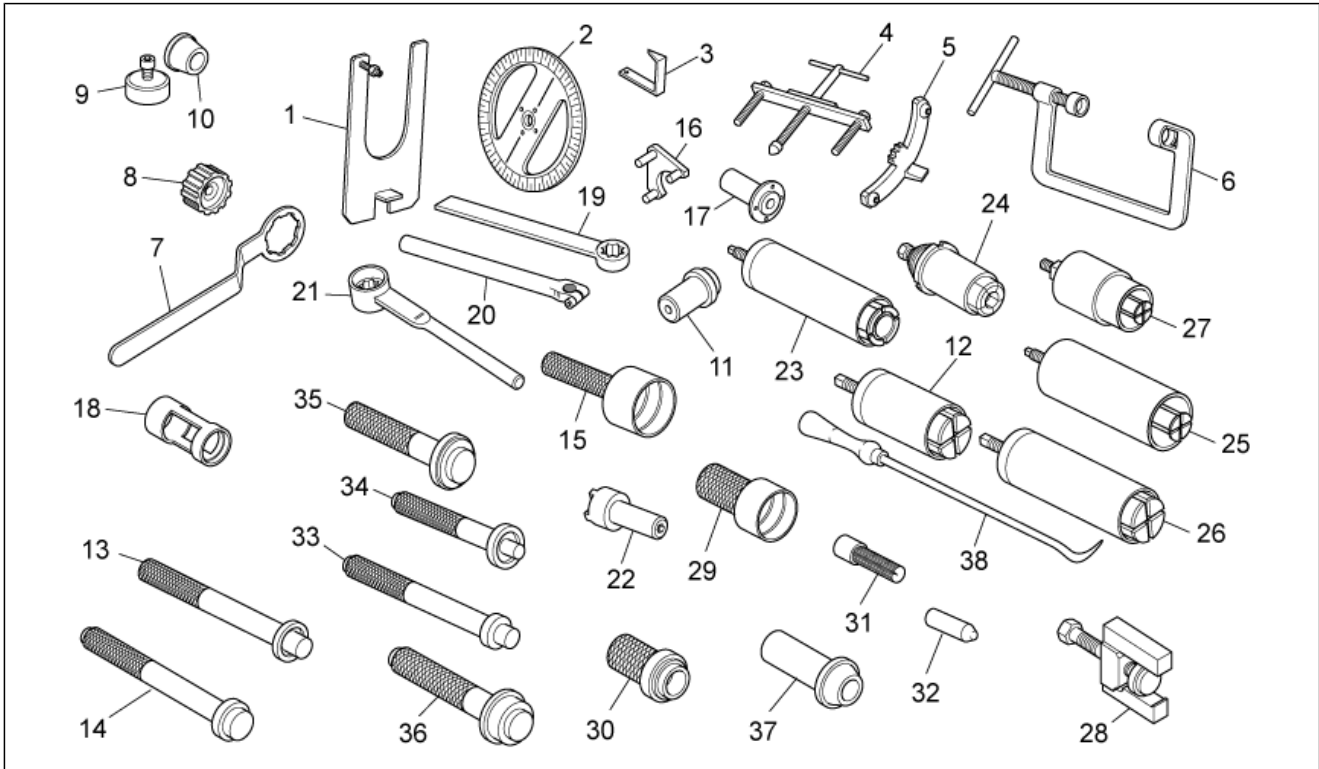
| Pos. | Code | Description | Qty | Variants |
|------|------------|--------------------------|-----|----------|
| 1 | GU03112560 | Throttle assy | 1 | |
| 2 | GU01530504 | Injector kit complete | 2 | |
| 3 | GU01530500 | Potentiometer | 1 | |
| 4 | GU29530562 | Tie rod | 2 | |
| 5 | GU30114470 | Hose | 2 | |
| 6 | GU93305061 | Hose clamp 61/65,5 | 8 | |
| 7 | GU03114370 | Hose | 2 | |
| 8 | 976026 | RH manifold | 1 | |
| 9 | 976049 | LH manifold | 1 | |
| 10 | GU98682325 | Hex socket screw M6x25 | 6 | |
| 11 | GU14217901 | Washer 6,4x10x0,7 | 6 | |
| 12 | GU98310609 | screw M6x10 | 2 | |
| 13 | GU95100116 | Washer 6,25x10x1,5 | 2 | |
| 14 | GU90706461 | O-ring 46,04x3,53 | 2 | |
| 15 | AP8120405 | Rubber spacer | 2 | |
| 16 | 977476 | Pin | 2 | |
| 17 | GU95100121 | Washer 5,3x10x0,5 | 2 | |
| 18 | 977180 | RH cover chromium plated | 1 | |
| 19 | 977181 | LH cover chromium plated | 1 | |
| 20 | AP8152274 | Screw w/ flange M5x20 | 4 | |
| 21 | GU30577800 | Nylon washer 5,5X12X1 | 4 | |
| 22 | GU93232005 | Rubber spacer | 2 | |

| | |
|--------------------|---------------|
| Group | SPECIAL TOOLS |
| Code | 36.45 |
| Description | Special tools |
| Service | 1 |



| Pos. | Code | Description | Qty | Variants |
|------|------------|--------------------------------|-----|----------|
| 1 | GU14929600 | Gearbox housing support | 1 | |
| 2 | GU19929600 | Index plate tim.sett./ign.cont | 1 | |
| 3 | GU17947560 | Arrow tim.set.ignition control | 1 | |
| 4 | GU12913600 | Flange removal flywheel side | 1 | |
| 5 | GU12911801 | Lock flywh.starter motor gear | 1 | |
| 6 | GU10907200 | Valve removal and fitting | 1 | |
| 7 | GU30912810 | Locking clutch internal body | 1 | |
| 8 | GU30906510 | Tool for clutch assembly | 1 | |
| 9 | GU14927100 | Seal ring onto flange fly.side | 1 | |
| 10 | GU12912000 | Flange flywheel side | 1 | |
| 11 | GU14927200 | Seal ring onto tim.syst.cover | 1 | |
| 12 | GU12906900 | Rollerball bear.trans.housing | 1 | |
| 13 | GU14928900 | Punch ransmis.shaft bearing | 1 | |
| 14 | GU14929100 | Punch seal front fork sleeve | 1 | |
| 15 | GU19927100 | Seal ring flange flywheel side | 1 | |
| 16 | GU14927300 | Clamping the camshaft gearing | 1 | |
| 17 | GU65928400 | Index plate hub | 1 | |
| 18 | GU12905900 | Clutch shaft disass. | 1 | |
| 19 | GU12907100 | Transmis.shaft locking tool | 1 | |
| 20 | GU14928700 | pre-selector tool | 1 | |
| 21 | GU14905400 | Transmission shaft locking | 1 | |
| 22 | GU14912603 | Key | 1 | |
| 23 | GU14913100 | Roller bearing extractor | 1 | |
| 24 | GU14928500 | Int. race extractor | 1 | |
| 25 | GU17949260 | Clutch shaft bearing extractor | 1 | |
| 26 | GU17945060 | Bearing ext. race extractor | 1 | |
| 27 | GU14907000 | Ball bearing extractor | 1 | |
| 28 | GU17948360 | Bearing int. race extractor | 1 | |

| | |
|--------------------|---------------|
| Group | SPECIAL TOOLS |
| Code | 36.45 |
| Description | Special tools |
| Service | 1 |



| Pos. | Code | Description | Qty | Variants |
|------|------------|-------------------------|-----|----------|
| 29 | GU17948460 | Internal race punch | 1 | |
| 30 | GU17948860 | Bearing ext. race punch | 1 | |
| 31 | GU17945460 | Internal ring punch | 1 | |
| 32 | GU14928600 | Internal ring punch | 1 | |
| 33 | GU14928800 | Roller bearing punch | 1 | |
| 34 | GU14929000 | Ball bearing punch | 1 | |
| 35 | GU14929400 | Oil seal punch | 1 | |
| 36 | GU14929500 | Oil seal punch | 1 | |
| 37 | GU17945160 | External race punch | 1 | |
| 38 | GU14929300 | Control fork positioner | 1 | |