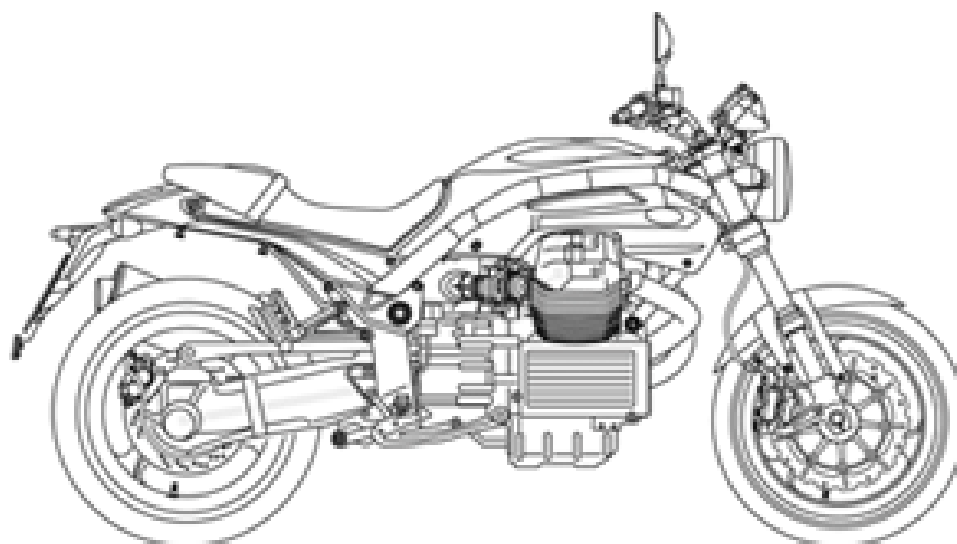




PIAGGIO & C.s.p.a.



SPARE PARTS CATALOGUE



Griso V 8V 1200 2007-2013

Chassis prefix: ZGULSE, ZGULSJ, ZGULSU, ZGULSG

Engine prefix:

GRISO

GU088



Index

Finished products.....	4
Alphanumeric index.....	5
FRAME.....	12
Table 33.01 - Frame.....	12
Table 33.02 - Lateral stand.....	13
Table 33.03 - Foot rests I.....	14
Table 33.04 - Foot rests II.....	15
Table 33.05 - Gear lever.....	16
Table 33.06 - Steering.....	17
Table 33.07 - Front fork.....	18
Table 33.08 - Swing arm.....	20
Table 33.09 - Transmission complete.....	21
Table 33.10 - Trans.cpl.-Cage.....	22
Table 33.11 - Trans.cpl.-Bevel gear.....	23
Table 33.12 - Connecting rod - rear shock abs.....	24
Table 33.13 - Fuel tank.....	25
Table 33.14 - Front body - Duct.....	26
Table 33.15 - Front mudguard.....	27
Table 33.16 - Saddle.....	28
Table 33.17 - Rear body - Mudguard.....	29
Table 33.18 - Rear body - Rear fairing.....	31
Table 33.19 - Dashboard.....	32
Table 33.20 - Handlebar - Controls.....	33
Table 33.21 - Front master cilinder.....	35
Table 33.22 - Clutch control complete.....	36
Table 33.23 - Oil radiator.....	37
Table 33.24 - Blow-by system.....	38
Table 33.25 - Fuel supply.....	39
Table 33.26 - Air box.....	40
Table 33.27 - Exhaust unit.....	41
Table 33.28 - Internal fuel pump.....	43
Table 33.29 - SE Front wheel.....	44
Table 33.30 - Front brake caliper.....	45
Table 33.31 - Std Rear wheel.....	46
Table 33.32 - Rear master cylinder.....	47
Table 33.33 - Rear brake caliper.....	49
Table 33.34 - Headlight/Horn.....	50
Table 33.35 - Taillight.....	52
Table 33.36 - Electrical system I.....	53
Table 33.37 - Electrical system II.....	55
Table 33.38 - Lock hardware kit.....	56
Table 33.39 - Plate set-decal-op.handbooks.....	57
Table 33.63 - Fuel vapour recover system.....	61



Table 33.64 - SE Front wheel.....	62
Table 33.65 - SE Rear wheel.....	63
ENGINE.....	64
Table 34.40 - Crank-case I.....	64
Table 34.41 - Crank-case II.....	66
Table 34.42 - Cylinder head - valves.....	67
Table 34.43 - Head cover.....	68
Table 34.44 - RH cylinder timing system I.....	69
Table 34.45 - LH cylinder timing system I.....	71
Table 34.46 - Drive shaft - Cylinder.....	73
Table 34.47 - Timing system.....	75
Table 34.48 - Lubrication.....	76
Table 34.49 - Oil pump.....	77
Table 34.50 - Oil filters.....	78
Table 34.51 - Clutch.....	79
Table 34.52 - Transmission cage.....	80
Table 34.53 - Gear box selector.....	81
Table 34.54 - Primary gear shaft.....	82
Table 34.55 - Driven shaft.....	83
Table 34.56 - Clutch shaft.....	84
Table 34.57 - Current generator.....	85
Table 34.58 - Starter motor.....	86
Table 34.59 - Throttle body.....	87
Table 34.60 - RH cylinder timing system II.....	88
Table 34.61 - LH cylinder timing system II.....	90
SPECIAL TOOLS.....	92
Table 36.60 - Specific tools I.....	92
Table 36.61 - Specific tools II.....	93
Table 36.62 - Specific tools III.....	94



Finished products

Code	Validity
GU9032437AU800	
GU9032437AU801	
GU9032437AU802	
GU9032437EU700	
GU9032437EU701	
GU9032437EU702	
GU9032437EU703	
GU9032437FR700	
GU9032437FR702	
GU9032437GB700	
GU9032437GB701	
GU9032437GB702	
GU9032437GB703	
GU9032437JP700	
GU9032437JP701	
GU9032437JP702	
GU9032437JP703	
GU9032440CAC00	
GU9032440CAC01	
GU9032440CAD00	
GU9032440CAD02	
GU9032440USC00	
GU9032440USC01	
GU9032440USD00	
GU9032440USD02	



Code	No. table	Pos.	Code	No. table	Pos.	Code	No. table	Pos.
0000000	33.29	14	849866	34.46	23	874567	34.46	8
013763	34.48	8	854603	33.21	2	874601	34.44	19
015792	34.44	5	856062	33.63	8	874601	34.45	19
015792	34.45	5	856063	33.63	6	874601	34.60	26
015792	34.60	5	856774	33.29	6	874601	34.61	26
015792	34.61	5	860138	33.63	7	874616	34.49	11
015935	34.40	35	872606	34.43	10	874621	34.44	3
020470Y	36.60	5	872607	34.43	1	874621	34.45	3
020672Y	36.60	12	872695	34.42	3	874621	34.46	12
020673Y	36.60	16	872696	34.42	4	874622	34.44	3
020674Y	36.60	19	872726	34.43	4	874622	34.45	3
020675Y	36.60	20	872740	34.43	14	874622	34.46	12
020676Y	36.60	21	872741	34.43	11	874645	34.48	9
020677Y	36.60	1	872742	34.43	7	874646	34.48	7
020678Y	36.60	22	872755	34.42	2	874650	34.49	1
020689Y	36.60	23	872755	34.45	1	874655	34.48	11
020716Y	36.60	4	872756	34.42	1	874669	34.48	4
118737	34.48	5	872756	34.44	1	874680	34.48	1
237553	34.49	7	872759	34.44	6	874716	34.48	14
244585	34.45	29	872759	34.45	6	874799	34.47	15
244585	34.61	33	872759	34.60	4	874801	34.49	10
285846	34.42	8	872759	34.61	4	874805	34.44	29
292022	33.34	5	872814	34.44	21	874805	34.45	30
292022	33.35	9	872814	34.45	21	874980	34.40	26
292723	33.34	4	873425	34.45	4	875243	34.46	19
2B000182	33.64	2	873426	34.44	4	875244	34.46	19
2B000183	33.65	2	873490	34.59	3	8776384	34.44	16
411209	34.40	2	873491	34.59	8	8776384	34.45	16
414835	34.49	9	873626	34.43	9	877820	34.50	6
414837	34.60	17	873631	34.44	12	8783390001	34.46	17
414837	34.61	17	873631	34.45	12	8783390002	34.46	17
434947	34.48	6	873654	34.43	13	8783390003	34.46	17
436438	34.42	6	873667	34.46	2	878553	34.42	2
484819	34.44	11	873668	34.43	8	878553	34.45	1
484819	34.45	11	873689	34.44	28	878556	34.42	1
487444	34.44	14	873689	34.46	20	878556	34.44	1
487444	34.45	14	873690	34.45	28	878574	34.60	1
487444	34.60	23	873690	34.46	21	878574	34.61	1
487444	34.61	23	873850	34.44	10	878868	34.60	32
560110	34.40	10	873850	34.45	10	878868	34.61	32
581957	34.48	12	873861	34.59	14	879707	34.44	10
584509	33.36	18	873873	34.44	16	879707	34.60	11
639542	33.02	15	873873	34.45	16	879707	34.61	11
640598	33.34	3	873879	34.59	7	879869	34.52	5
640912	33.36	13	873904	34.59	1	879916	34.44	11
672381	33.39	28	873906	34.49	14	879916	34.60	10
825597	34.41	4	873928	34.47	8	879916	34.61	10
825597	34.42	11	874126	34.42	9	879936	34.60	19
825597	34.46	11	874127	34.42	5	879936	34.61	19
827018	34.42	10	874134	34.40	34	879937	34.60	20
827018	34.44	2	874213	34.40	19	879937	34.61	20
827018	34.45	2	874223	34.48	3	879938	34.60	18
829122	34.50	2	874238	34.48	18	879938	34.61	18
829486	34.49	5	874239	34.48	17	879975	34.43	3
829661	34.49	6	874240	34.48	15	879987	34.43	15
830249	34.43	3	874257	34.40	27	880123	34.43	10
833520	34.44	7	874280	34.47	18	880124	34.43	1
833520	34.45	7	874281	34.47	11	880127	34.43	16
833520	34.60	22	874286	34.46	7	880879	34.44	4
833520	34.61	22	874287	34.46	4	880881	34.45	4
842360	34.60	6	874288	34.46	5	880965	34.60	28
842360	34.61	6	874289	34.46	6	880965	34.61	28
843060	34.44	20	874293	34.46	15	883045	33.09	7
843060	34.45	20	874335	34.42	7	883046	33.09	2
843060	34.60	27	874482	34.49	8	883067	33.39	27
843060	34.61	27	874521	34.44	22	883092	33.25	6
849131	34.46	18	874521	34.45	22	883093	33.25	7



Code	No. table	Pos.	Code	No. table	Pos.	Code	No. table	Pos.
883277	33.39	7	887968	33.39	37	976559	34.43	12
883279	33.39	20	887969	33.39	38	976560	34.43	6
883280	33.39	21	887970	33.39	39	976563	34.51	9
883281	33.39	19	887971	33.39	36	976564	34.51	10
883340	33.19	1	88797200YE3	33.13	1	976570	33.09	1
883417	33.34	27	88797300YN1	33.14	1	976581	33.11	1
883462	33.34	23	88797400YN1	33.14	10	976584	34.44	21
883463	33.34	22	88797500YN1	33.18	1	976584	34.45	21
883606	33.16	1	887976	33.16	1	976589	34.44	17
883611	33.39	15	969323	34.48	10	976589	34.45	17
883612	33.39	16	974228	34.44	27	976589	34.60	8
883613	33.39	1	974228	34.45	27	976589	34.61	8
883614	33.39	17	976023	34.51	1	976591	34.43	2
883615	33.39	18	976053	34.51	2	976593	34.51	12
883619	33.39	7	976304	34.46	10	976594	34.51	12
883627	33.19	10	976311	34.44	3	976595	34.51	12
883688	33.64	8	976311	34.45	3	976596	34.51	12
883730	33.39	19	976311	34.46	12	976665	34.47	16
883731	33.39	20	976312	34.46	9	976674	34.44	15
883732	33.39	21	976330	34.47	1	976674	34.45	15
883802	33.20	18	976331	34.47	4	976674	34.60	24
883802	33.20	20	976334	34.47	9	976674	34.61	24
883851	33.28	5	976337	34.44	26	976690	34.44	22
883874	33.27	1	976337	34.45	26	976690	34.45	22
883875	33.27	2	976337	34.60	31	976696	34.51	14
883883	33.29	1	976337	34.61	31	976929	34.40	30
883886	33.31	1	976338	34.44	25	976934	34.52	17
883900	33.36	2	976338	34.45	25	9769945	34.40	30
883905	33.36	2	976338	34.60	30	977041	33.32	14
883909	33.27	16	976338	34.61	30	977050	33.01	16
883917	33.39	19	976341	34.44	24	977052	33.04	1
883918	33.39	20	976341	34.45	24	977053	33.04	6
883919	33.39	21	976341	34.60	29	977056	33.31	9
883932	33.39	11	976341	34.61	29	977056	33.65	5
884033	33.32	24	976342	34.46	22	977062	33.13	17
884077	33.64	1	976350	34.44	18	977065	33.02	6
884078	33.65	1	976350	34.45	18	977067	33.02	1
884095	33.03	3	976350	34.60	25	97717R	33.64	2
884096	33.03	5	976350	34.61	25	97718R	33.65	2
884097	33.03	8	976351	34.56	1	977350	33.01	1
884098	33.03	11	976355	34.47	6	977418	33.63	2
884163	33.64	1	976359	34.44	8	977421	33.17	20
884164	33.65	1	976359	34.45	8	977500	33.39	11
884192	33.39	19	976360	34.44	9	977769	33.37	11
884193	33.39	20	976360	34.45	9	977772	33.37	11
884194	33.39	21	976376	33.27	3	977773	33.37	11
884321	33.39	19	976381	34.47	2	977795	33.35	10
884322	33.39	20	976453	34.52	1	977822	33.03	3
884323	33.39	21	976478	34.41	9	977823	33.03	5
886141	33.39	40	976480	34.41	1	977824	33.03	8
886944	33.39	29	976481	34.51	7	977825	33.03	11
887082	33.65	8	976484	34.51	8	977918	33.38	5
887083	33.65	9	976486	34.40	18	978159	33.07	2
887084	33.64	6	976488	34.47	3	978160	33.07	1
887423	33.25	1	976494	34.59	16	978204	33.20	1
887423	33.28	1	976495	34.59	17	978239	33.16	1
887771	33.25	1	976498	34.59	5	978242	33.27	16
887771	33.28	1	976502	34.40	16	978301	33.65	15
887959	33.39	30	976532	34.56	4	978311	33.34	1
887960	33.39	31	976533	34.56	3	978350	33.08	1
887961	33.39	15	976534	34.59	6	978364	33.33	10
887962	33.39	16	976535	34.51	5	978392	33.10	17
887963	33.39	1	976538	34.47	10	978396	33.27	1
887964	33.39	32	976539	34.40	1	978397	33.27	2
887965	33.39	33	976554	34.41	5	978400	33.21	6
887966	33.39	34	976555	34.59	4	978403	33.39	1
887967	33.39	35	976556	33.36	26	97840400BM	33.14	1



Code	No. table	Pos.	Code	No. table	Pos.	Code	No. table	Pos.
97840400Y01	33.14	1	AP8101744	33.64	14	AP8121032	33.23	5
97840400Y02	33.14	1	AP8101744	33.65	14	AP8121032	34.58	7
97840400YV2	33.14	1	AP8101861	33.03	10	AP8121075	33.13	9
97840500BM	33.14	10	AP8101890	33.32	28	AP8121098	33.11	6
97840500Y01	33.14	10	AP8102375	33.01	13	AP8121133	33.03	9
97840500Y02	33.14	10	AP8102375	33.14	9	AP8121155	33.12	10
97840500YV2	33.14	10	AP8102375	33.17	2	AP8121207	33.06	4
978406	33.36	2	AP8102375	33.18	3	AP8121218	33.09	4
978407	33.36	1	AP8102375	33.37	14	AP8121221	33.05	2
978407	33.37	1	AP8102377	33.63	5	AP8121221	33.32	19
978409	33.39	7	AP8102502	33.16	10	AP8121223	33.05	6
978414	33.33	1	AP8102520	33.24	14	AP8121267	33.63	17
978434	33.32	1	AP8102523	33.16	9	AP8121346	33.06	9
978455	33.07	19	AP8102524	33.02	9	AP8121475	33.36	29
978456	33.07	18	AP8102678	33.63	1	AP8121513	33.27	26
978464	33.30	1	AP8102764	33.24	15	AP8121520	33.20	10
978465	33.30	2	AP8102765	33.24	11	AP8121567	33.03	1
978466	33.30	4	AP8102913	33.16	3	AP8121607	33.02	12
978487	33.07	3	AP8104329	33.26	2	AP8121773	33.27	20
978497	33.64	10	AP8104614	33.63	7	AP8121795	33.02	4
978498	33.64	13	AP8104666	33.13	16	AP8121795	33.19	6
978516	33.64	5	AP8104666	33.63	9	AP8121805	33.04	3
978528	33.64	1	AP8104921	33.20	20	AP8121811	33.23	16
978530	33.64	6	AP8104921	33.20	20	AP8121882	33.02	20
978570	33.20	18	AP8104922	33.20	18	AP8121882	33.19	18
978570	33.20	20	AP8104922	33.20	18	AP8121927	33.32	23
978606	33.21	1	AP8106713	33.22	1	AP8121929	33.17	12
978607	33.22	1	AP8110066	33.12	5	AP8121929	33.18	5
978662	33.34	1	AP8110068	33.12	6	AP8123641	33.06	7
978739	33.22	10	AP8110077	33.06	8	AP8123642	33.06	5
978739	34.51	3	AP8112811	33.37	4	AP8123643	33.06	3
978743	33.20	16	AP8112996	33.32	27	AP8123644	33.06	6
978744	33.20	17	AP8113004	33.22	9	AP8123810	33.07	4
978745	33.25	3	AP8113004	33.33	6	AP8123811	33.07	26
978764	33.64	8	AP8113070	33.30	5	AP8123812	33.07	27
978765	33.24	16	AP8113070	33.33	9	AP8123815	33.07	11
978767	33.24	1	AP8113081	33.32	16	AP8123816	33.07	10
978781	33.24	17	AP8113082	33.32	17	AP8123817	33.07	12
978810	33.64	7	AP8113288	33.32	3	AP8123819	33.07	14
978810	33.65	10	AP8113993	33.21	5	AP8123820	33.07	15
978811	33.64	15	AP8113993	33.22	4	AP8123821	33.07	16
978811	33.65	11	AP8113995	33.21	3	AP8123824	33.07	20
978815	33.65	8	AP8113997	33.22	5	AP8123825	33.07	22
978816	33.65	9	AP8113998	33.22	6	AP8123827	33.07	24
978849	33.65	1	AP8117200	34.58	5	AP8123828	33.07	25
978854	34.48	16	AP8118492	33.20	14	AP8123832	33.07	6
978882	33.39	6	AP8118502	33.20	13	AP8123834	33.07	13
978885	33.27	11	AP8118503	33.20	15	AP8123835	33.07	7
981007	34.46	13	AP8118579	33.20	7	AP8123836	33.07	8
981008	34.46	1	AP8118659	33.22	2	AP8124869	33.37	9
981009	34.46	3	AP8120030	33.23	7	AP8124936	33.19	11
981010	34.59	2	AP8120030	33.24	3	AP8125773	33.29	4
981011	34.59	20	AP8120030	33.26	21	AP8125773	33.64	4
981012	33.07	23	AP8120030	33.36	5	AP8125777	33.29	3
981013	33.07	21	AP8120178	33.32	13	AP8125777	33.64	3
981046	33.22	2	AP8120428	33.04	18	AP8125779	33.29	5
981050	33.21	2	AP8120485	33.11	7	AP8127098	33.35	3
981115	34.50	15	AP8120593	33.26	4	AP8127703	33.20	6
981142	33.27	29	AP8120594	33.22	13	AP8133594	33.22	8
981143	33.27	28	AP8120675	33.34	13	AP8133595	33.33	8
981149	33.34	2	AP8120876	33.26	20	AP8133597	33.33	7
981160	33.19	19	AP8120912	33.05	3	AP8133962	33.21	7
AP4ADN000007	34.40	20	AP8120912	33.32	20	AP8133962	33.33	11
AP8101586	33.24	19	AP8120952	34.52	16	AP8134378	33.27	21
AP8101595	33.26	19	AP8120965	33.13	14	AP8134448	33.17	13
AP8101595	33.32	5	AP8120965	33.63	13	AP8134451	33.03	7
AP8101595	34.52	15	AP8121014	33.02	7	AP8134948	33.16	8



Code	No. table	Pos.	Code	No. table	Pos.	Code	No. table	Pos.
AP8135608	33.12	8	AP8152302	33.14	2	B013605	34.44	9
AP8135924	33.12	4	AP8152302	33.18	2	B0136054	34.60	12
AP8140145	36.62	1	AP8152306	33.02	17	B0136054	34.61	12
AP8140146	36.62	2	AP8152306	33.17	19	B013661	34.60	16
AP8140147	36.62	3	AP8152306	33.17	26	B013661	34.61	16
AP8140148	36.62	4	AP8152306	33.35	8	B014576	34.60	7
AP8140149	36.62	5	AP8152318	33.08	2	B014576	34.61	7
AP8140150	36.62	6	AP8152320	33.33	2	B014603	34.44	13
AP8140151	36.62	7	AP8152325	33.20	5	B014603	34.45	13
AP8140179	36.60	11	AP8152329	33.26	5	B015681	34.44	12
AP8140190	36.61	1	AP8152329	33.32	10	B016785	34.60	2
AP8144007	33.05	7	AP8152339	33.15	2	B016785	34.61	2
AP8144007	33.32	25	AP8152339	33.37	13	B017026	34.61	3
AP8144038	33.26	18	AP8152384	33.06	10	B017029	34.60	3
AP8144046	33.36	19	AP8152396	33.12	16	B043864	33.13	5
AP8144071	33.27	19	AP8152397	33.12	9	B045021	33.20	21
AP8144164	33.26	8	AP8152398	33.12	2	B0630111	34.51	12
AP8144328	33.13	8	AP8152409	33.03	2	B063012	34.51	12
AP8149034	33.17	21	AP8152410	33.09	3	B063025	34.52	11
AP8150046	34.41	10	AP8152410	33.27	24	CM074706	34.59	4
AP8150292	33.02	13	AP8152414	33.30	9	CM162701	34.44	30
AP8150292	33.12	13	AP8152473	33.02	10	CM162701	34.45	31
AP8150377	33.17	7	AP8152482	33.12	15	CM162702	34.44	30
AP8150413	33.14	6	AP8157100	33.39	22	CM162702	34.45	31
AP8150413	33.17	17	AP8163495	33.07	5	CM162703	34.44	30
AP8150413	33.63	3	AP8163496	33.07	9	CM162703	34.45	31
AP8150420	33.17	18	AP8201358	33.63	4	CM162704	34.44	30
AP8150421	33.26	9	AP8201808	33.33	13	CM162704	34.45	31
AP8150432	33.01	8	AP8202238	33.33	12	CM162705	34.44	30
AP8150450	33.18	10	AP8220162	33.01	11	CM162705	34.45	31
AP8150462	33.05	5	AP8220162	33.14	4	GU00823923140	33.02	18
AP8150462	33.32	22	AP8220228	33.19	8	GU00823950050	33.32	6
AP8150509	33.19	9	AP8220238	33.01	10	GU00823955080	33.24	12
AP8150509	33.35	2	AP8220263	33.13	15	GU01003651	34.40	15
AP8152001	33.02	14	AP8220263	33.17	9	GU01106090	33.28	4
AP8152043	33.19	16	AP8220283	33.37	8	GU01108490	33.28	3
AP8152147	33.12	12	AP8220346	33.27	23	GU01154230	33.24	10
AP8152166	34.47	7	AP8220526	33.26	13	GU01154230	34.40	11
AP8152242	33.09	5	AP8220546	33.37	10	GU01154230	34.48	2
AP8152268	33.17	14	AP8221023	33.26	17	GU01161331	33.24	9
AP8152270	33.17	24	AP8221023	33.34	12	GU01161331	34.48	13
AP8152273	33.25	2	AP8221023	33.36	6	GU01163600	34.50	8
AP8152277	33.24	5	AP8221036	33.06	12	GU01163700	34.50	7
AP8152278	33.22	11	AP8221145	33.32	11	GU01528930	33.10	13
AP8152278	33.24	4	AP8221160	33.01	6	GU01528930	33.10	8
AP8152278	33.32	12	AP8221197	33.02	8	GU01528930	34.40	23
AP8152278	34.51	4	AP8221242	33.19	3	GU01528930	34.52	9
AP8152279	33.26	16	AP8221270	33.26	12	GU01603480	33.20	12
AP8152279	33.32	4	AP8221277	33.03	6	GU01609630	33.20	19
AP8152279	33.36	4	AP8221307	33.01	9	GU01612190	33.29	11
AP8152280	33.13	10	AP8224164	33.17	15	GU01612190	33.64	11
AP8152281	33.23	3	AP8224164	33.17	25	GU01654630	33.30	3
AP8152282	33.36	7	AP8224462	33.37	7	GU01659130	33.30	6
AP8152285	33.36	30	AP8257609	33.39	23	GU01659131	33.30	7
AP8152286	33.29	7	AP8257742	33.39	25	GU01721600	33.36	20
AP8152287	33.02	11	AP8257794	33.39	24	GU01722700	33.36	22
AP8152287	33.34	15	AP9100838	36.60	3	GU01722701	33.36	22
AP8152288	33.01	5	B0133785001	34.46	14	GU01722702	33.36	22
AP8152290	33.07	17	B0133785002	34.46	14	GU01722703	33.36	22
AP8152291	34.40	29	B0133785003	34.46	14	GU01722704	33.36	22
AP8152298	33.06	14	B013479	34.60	14	GU01722705	33.36	22
AP8152299	33.16	5	B013479	34.61	14	GU01743790	33.34	23
AP8152299	33.35	15	B013552	34.60	21	GU01743791	33.34	22
AP8152299	33.36	17	B013552	34.61	21	GU01753440	33.34	26
AP8152300	33.04	4	B013603	34.44	8	GU01929100	36.60	7
AP8152301	33.12	11	B0136034	34.60	9	GU03013800	33.26	14
AP8152301	33.27	22	B0136034	34.61	9	GU03013800	33.27	7



Code	No. table	Pos.	Code	No. table	Pos.	Code	No. table	Pos.
GU03013800	34.49	12	GU05547030	33.08	6	GU06123500	33.27	9
GU03013800	34.58	9	GU05547130	33.08	5	GU06124800	33.27	11
GU03270300	34.58	3	GU05547930	33.08	8	GU06126900	33.27	14
GU03469201	34.58	8	GU05548030	33.08	3	GU06159300	33.24	8
GU03604845	33.22	3	GU05560330	33.12	3	GU06162000	33.23	1
GU03609600	33.20	19	GU05562030	33.12	7	GU06164630	33.24	6
GU03617710	33.29	12	GU05562430	33.12	14	GU06250900	33.05	1
GU03617710	33.31	2	GU05603331	33.20	11	GU06257800	33.05	9
GU03749845	33.21	9	GU05606630	33.22	12	GU06400100	33.01	1
GU03995730	33.39	26	GU05610530	33.29	1	GU06409800	33.01	14
GU05001630	34.41	12	GU05611430	33.64	9	GU06412300	33.24	2
GU05002130	34.41	3	GU05614130	33.29	8	GU06418600	33.17	6
GU05003630	34.40	17	GU05615230	33.29	2	GU06431700	33.02	3
GU05004930	34.40	24	GU05630531	33.31	1	GU06431900	33.02	2
GU05005730	34.50	4	GU05632730	33.31	3	GU06434300	33.15	1
GU05107430	33.28	2	GU05632730	33.65	3	GU0643430000BM	33.15	1
GU05128230	33.27	15	GU05634430	33.31	5	GU0643430000YN1	33.15	1
GU05135930	33.25	4	GU05635730	33.31	6	GU0643430000YV2	33.15	1
GU05152230	34.50	3	GU05635730	33.65	6	GU06434301	33.15	1
GU05204930	34.52	8	GU05638130	33.11	9	GU06434302	33.15	1
GU05206530	33.10	12	GU05654630	33.33	3	GU06438600	33.17	10
GU05210631	34.54	1	GU05658431	33.06	13	GU06438700	33.17	1
GU05211331	34.54	10	GU05659030	33.33	5	GU06439200	33.17	16
GU05211431	34.54	7	GU05659130	33.33	4	GU06443500	33.04	14
GU05212031	34.54	4	GU05661130	33.21	4	GU06445900	33.04	7
GU05212631	34.54	9	GU05663530	33.32	7	GU06445901	33.04	9
GU05213631	34.55	1	GU05666030	33.32	9	GU06446000	33.04	10
GU05214031	34.55	7	GU05701430	34.57	7	GU06447500	33.04	16
GU05214231	34.55	3	GU05702530	34.57	6	GU06447501	33.04	11
GU05214431	34.55	12	GU05704531	33.37	2	GU06461300	33.01	15
GU05214630	34.54	5	GU05712431	34.57	1	GU06462100	33.16	6
GU05214630	34.55	5	GU05716730	33.36	9	GU06467300	33.17	3
GU05214731	34.55	9	GU05717030	33.36	16	GU06469200	33.18	6
GU05215031	34.55	10	GU05729230	33.36	3	GU06477000	33.37	15
GU05215631	34.54	2	GU05730730	34.58	1	GU06479600	33.16	2
GU05220531	34.55	11	GU05733330	34.58	4	GU06493100	33.06	1
GU05230531	34.53	18	GU05781630	33.07	28	GU06494000	33.06	2
GU05230831	34.53	21	GU05900130	33.39	14	GU06496100	33.34	8
GU05232431	34.53	19	GU05902530	36.60	13	GU06496200	33.34	9
GU05232631	34.53	20	GU05902730	36.61	7	GU06500200	33.20	4
GU05234130	34.53	11	GU05902731	36.61	4	GU06500600	33.20	2
GU05234230	34.53	12	GU05902732	36.61	2	GU06517700	33.39	9
GU05234431	34.53	1	GU05902733	36.61	3	GU06550200	33.12	1
GU05234631	34.53	2	GU05902734	36.61	6	GU06571500	33.18	8
GU05234731	34.53	10	GU05902735	36.61	5	GU06571600	33.18	9
GU05234931	34.53	13	GU05902736	36.61	8	GU0657310000BM	33.18	1
GU05235531	34.53	3	GU05911730	36.60	2	GU0657310000Y01	33.18	1
GU05236231	34.53	7	GU05917530	33.39	4	GU0657310000Y02	33.18	1
GU05238131	34.53	15	GU05927230	36.60	6	GU0657310000YV2	33.18	1
GU05238231	34.53	8	GU05944530	33.39	13	GU06573300	33.18	4
GU05238331	34.53	14	GU05944930	33.39	10	GU06576800	33.14	5
GU05238431	34.53	9	GU05945030	33.39	8	GU06576900	33.14	7
GU05239330	34.53	17	GU06100200	33.13	1	GU06582600	33.23	14
GU05256930	33.05	10	GU0610020000BM	33.13	1	GU06583000	33.23	8
GU05326330	33.09	6	GU0610020000Y01	33.13	1	GU06583200	33.23	2
GU05351230	33.10	2	GU0610020000Y02	33.13	1	GU06583600	33.23	9
GU05352430	33.11	2	GU0610020000YV2	33.13	1	GU06606500	33.22	7
GU05358030	33.10	6	GU06102300	33.13	2	GU06609600	33.36	27
GU05358130	33.10	5	GU06103900	33.13	4	GU06609600	33.37	20
GU05358230	33.10	7	GU06103900	33.38	2	GU06616300	33.29	9
GU05358330	33.10	1	GU06107100	33.13	7	GU06677000	33.32	18
GU05358530	33.10	15	GU06113300	33.26	3	GU06704700	33.17	8
GU05358630	33.10	16	GU06113700	33.26	7	GU06704800	33.17	5
GU05425530	33.01	4	GU06114000	33.26	1	GU06704901	33.13	11
GU05446431	33.04	12	GU06114200	33.26	6	GU06729800	33.14	8
GU05466830	33.16	7	GU06121900	33.27	12	GU06736800	33.38	1
GU05466830	33.38	4	GU06123401	33.27	10	GU06740200	33.34	2



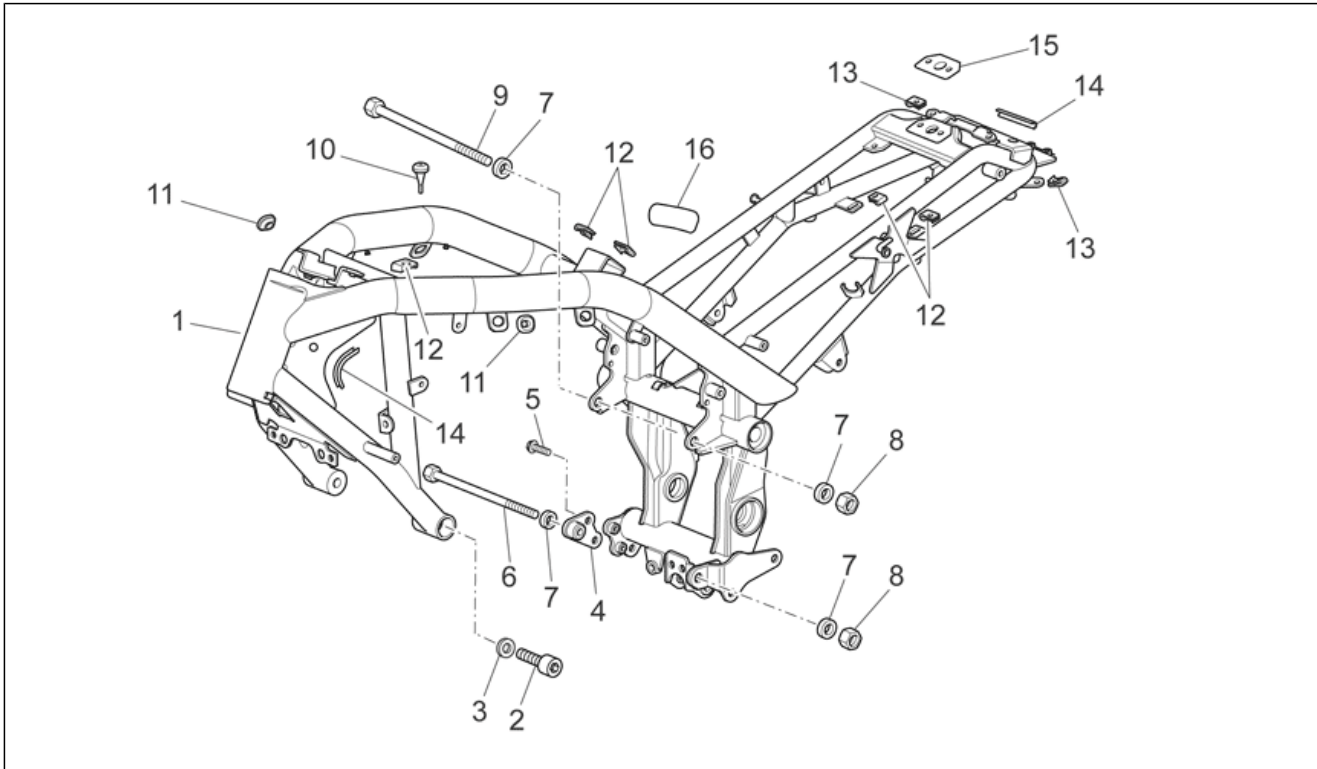
Code	No. table	Pos.	Code	No. table	Pos.	Code	No. table	Pos.
GU06740200	33.34	2	GU30027931	33.26	11	GU92204230	33.11	5
GU06740400	33.34	28	GU30103730	33.13	13	GU92208518	33.11	4
GU06740500	33.34	1	GU30103730	33.63	12	GU92232028	34.56	5
GU06740500	33.34	1	GU30150900	34.50	9	GU92249224	33.08	7
GU06740501	33.34	1	GU30153000	34.50	1	GU92252029	34.54	3
GU06740900	33.35	1	GU30158900	34.49	3	GU92252029	34.55	4
GU06741200	33.18	7	GU30158900	34.50	12	GU92602525	34.47	17
GU06746300	33.37	12	GU30217900	33.01	3	GU92605408	34.57	12
GU06747900	33.37	6	GU30441005	33.03	4	GU92606206	33.32	15
GU06750600	33.34	16	GU30611460	33.31	7	GU92606516	34.57	8
GU06750600	33.35	11	GU30611460	33.65	7	GU92609408	33.37	19
GU06751601	33.34	21	GU30714201	34.57	9	GU92630104	33.36	12
GU06751601	33.35	16	GU30716500	33.36	8	GU92630707	33.05	11
GU06753700	33.34	19	GU30729330	33.26	10	GU92650035	33.17	23
GU06753700	33.35	12	GU30944300	33.39	5	GU92650138	33.27	27
GU06764000	33.19	4	GU30970200	33.39	12	GU92650138	33.34	10
GU06765100	33.19	2	GU31003766	33.10	9	GU92660012	34.57	5
GU06765200	33.19	10	GU31003766	34.40	22	GU92660021	34.40	8
GU06765400	33.19	15	GU31003766	34.52	13	GU92750180	34.47	13
GU06765500	33.02	19	GU31159050	34.49	2	GU92787006	33.26	15
GU06765500	33.19	17	GU31159050	34.50	14	GU92787006	33.34	18
GU06782500	33.19	13	GU32474710	33.35	7	GU92787008	33.27	4
GU06782500	33.38	3	GU32602860	33.20	8	GU93180220	34.52	3
GU06783600	33.14	11	GU32727010	33.27	13	GU93222023	33.13	12
GU06917300	33.39	3	GU32748010	33.37	3	GU93222023	33.19	7
GU06917400	33.39	2	GU49609601	33.36	28	GU93231605	33.14	3
GU06926000	33.39	11	GU49609601	33.37	17	GU93304390	33.08	4
GU12018900	34.40	6	GU4FAN000030	34.57	10	GU93304390	33.36	28
GU12022600	34.40	31	GU61270300	34.40	13	GU93305061	34.59	13
GU12548201	34.59	18	GU90271014	34.53	16	GU93306017	33.24	18
GU12911801	36.60	10	GU90271022	34.53	4	GU93306018	33.24	13
GU12912000	36.60	8	GU90271030	34.54	8	GU93450127	33.34	20
GU12913600	36.60	17	GU90271030	34.55	8	GU93450127	33.35	13
GU14018400	33.09	8	GU90271230	34.54	6	GU94321077	34.50	10
GU14085900	34.51	11	GU90271230	34.55	6	GU95005306	33.23	4
GU14086000	34.51	13	GU90273026	33.11	8	GU95005306	34.49	13
GU14433400	34.47	12	GU90274002	33.19	12	GU95005308	33.27	6
GU14609650	33.36	28	GU90353014	34.53	22	GU95005312	33.27	18
GU14609650	33.37	17	GU90401424	34.52	12	GU95005325	33.29	10
GU14615901	33.23	11	GU90404558	33.11	3	GU95008204	33.36	11
GU14615901	33.27	5	GU90405367	34.40	4	GU95008205	33.25	8
GU14615901	33.34	7	GU90408511	33.10	10	GU95008205	33.35	5
GU14615901	34.40	5	GU90412237	34.41	2	GU95008205	33.36	24
GU14616150	33.29	13	GU90412541	34.55	14	GU95008206	34.50	11
GU14616150	33.31	8	GU90706009	33.63	14	GU95008206	34.59	10
GU14616150	33.64	12	GU90706061	33.64	16	GU95008210	33.05	8
GU14616150	33.65	13	GU90706061	33.65	12	GU95008305	34.59	19
GU14912603	36.60	24	GU90706141	33.36	21	GU95008310	33.32	26
GU14927100	36.60	9	GU90706151	34.50	5	GU95008313	33.01	7
GU17661052	33.32	8	GU90706178	34.40	25	GU95021104	33.21	11
GU17947560	36.60	15	GU90706203	34.40	32	GU95021108	33.34	25
GU18144350	34.49	4	GU90706347	34.41	8	GU95100116	34.46	16
GU18144350	34.50	13	GU90718120	33.10	3	GU95100116	34.59	12
GU18144350	34.52	7	GU91120507	33.35	6	GU95129100	34.44	31
GU19002020	34.52	14	GU91120606	34.41	13	GU95129100	34.45	32
GU19149800	33.23	13	GU91120607	34.41	7	GU95129100	34.60	13
GU19207220	34.52	10	GU91120620	33.27	8	GU95129100	34.61	13
GU19659500	33.32	2	GU91180711	33.23	6	GU95129131	33.37	18
GU19927100	36.60	18	GU91180823	34.57	2	GU95510620	33.10	4
GU19929600	36.60	14	GU91600365	34.47	19	GU95512081	34.40	9
GU25656100	33.21	8	GU91600450	34.47	14	GU95963062	33.63	11
GU25656100	33.30	8	GU92201025	34.53	6	GU95980216	34.40	33
GU28576591	33.01	12	GU92201117	34.53	5	GU95980319	34.52	6
GU28576591	33.24	7	GU92201226	34.55	13	GU95990023	33.63	10
GU28742562	33.37	5	GU92201226	34.56	2	GU96508066	34.40	3
GU29722760	33.36	22	GU92201822	34.54	11	GU96508075	34.40	7
GU29729461	33.36	25	GU92201822	34.55	2	GU97202355	34.52	2



Code	No. table	Pos.
GU97202435	33.63	16
GU97202665	33.31	4
GU97202665	33.65	4
GU97260435	33.19	14
GU98082475	34.58	2
GU98084425	34.40	12
GU98210616	33.19	5
GU98223530	33.17	22
GU98230510	34.43	5
GU98230512	33.23	15
GU98230612	34.51	6
GU98230619	33.34	14
GU98230850	34.57	11
GU98231235	33.63	15
GU98250835	33.17	4
GU98350210	33.04	13
GU98350210	33.32	29
GU98350210	34.44	23
GU98350210	34.45	23
GU98350310	34.46	24
GU98350310	34.59	11
GU98350315	34.47	5
GU98350416	33.34	24
GU98370412	33.04	17
GU98370412	33.21	10
GU98370609	33.27	25
GU98370609	34.58	6
GU98370616	34.52	4
GU98370619	33.35	14
GU98370625	33.16	4
GU98370625	34.59	9
GU98610335	33.34	11
GU98612220	33.02	16
GU98620445	34.57	3
GU98620560	34.57	4
GU98622214	34.44	23
GU98622214	34.45	23
GU98622214	34.60	15
GU98622214	34.61	15
GU98680222	33.17	11
GU98680222	33.25	5
GU98680222	33.35	4
GU98680335	34.40	14
GU98680335	34.41	15
GU98680340	33.13	6
GU98680340	33.20	9
GU98680340	34.40	28
GU98680360	34.40	21
GU98680445	33.27	17
GU98680450	33.10	11
GU98682125	33.36	10
GU98682212	33.36	23
GU98682212	34.59	15
GU98682215	33.37	16
GU98682316	33.02	5
GU98682316	33.05	4
GU98682316	33.32	21
GU98682316	34.41	14
GU98682320	33.05	12
GU98682320	34.41	6
GU98682325	33.08	9
GU98682330	34.41	11
GU98682650	33.01	2
GU98683520	33.36	31
GU98690335	33.34	17
GU98690440	33.23	10
GU98690540	33.23	12

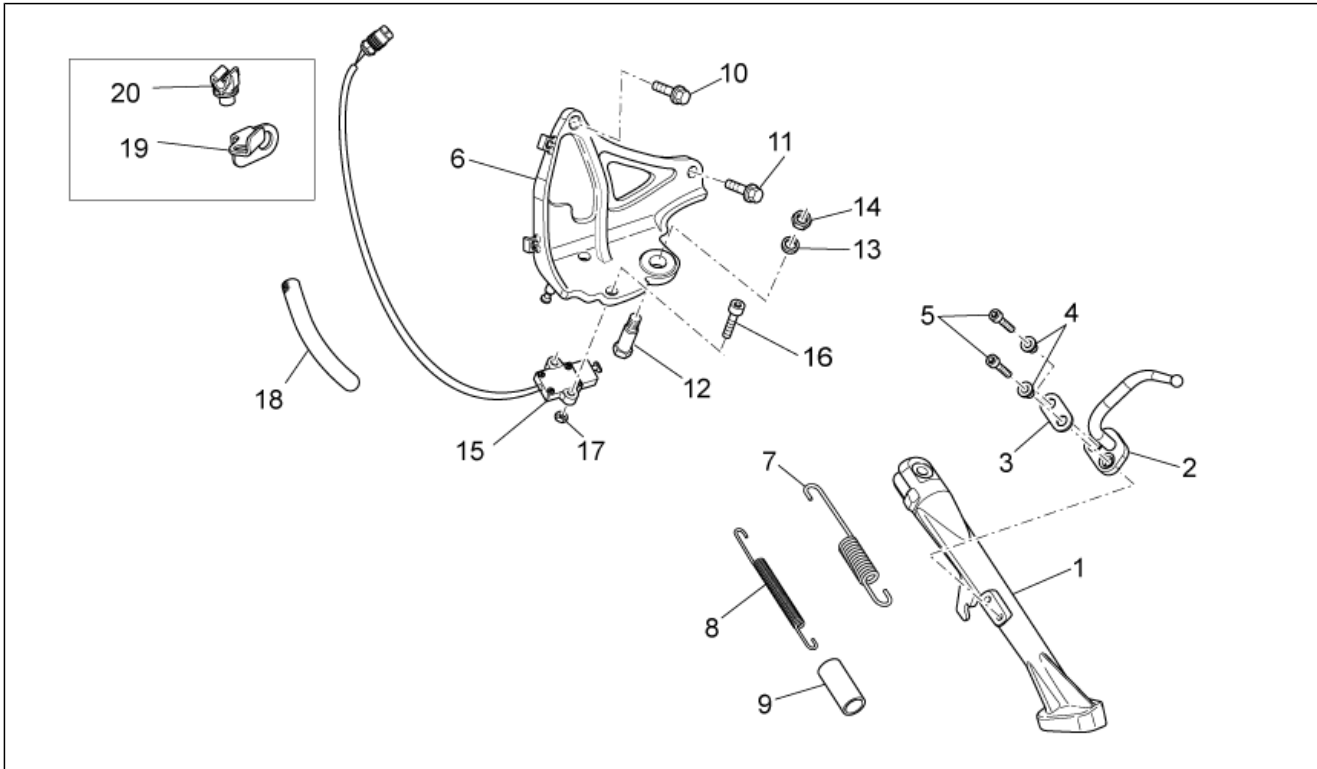
Code	No. table	Pos.
GU98700430	33.04	5
GU98700430	33.06	11
GU98700430	33.20	3
GU98700430	33.34	6
GU98700475	33.04	2
GU98700530	33.04	15
GU98710215	33.04	8
GU98710215	33.13	3
GU99210406	33.10	14

Group	FRAME
Code	33.01
Description	Frame
Service	1



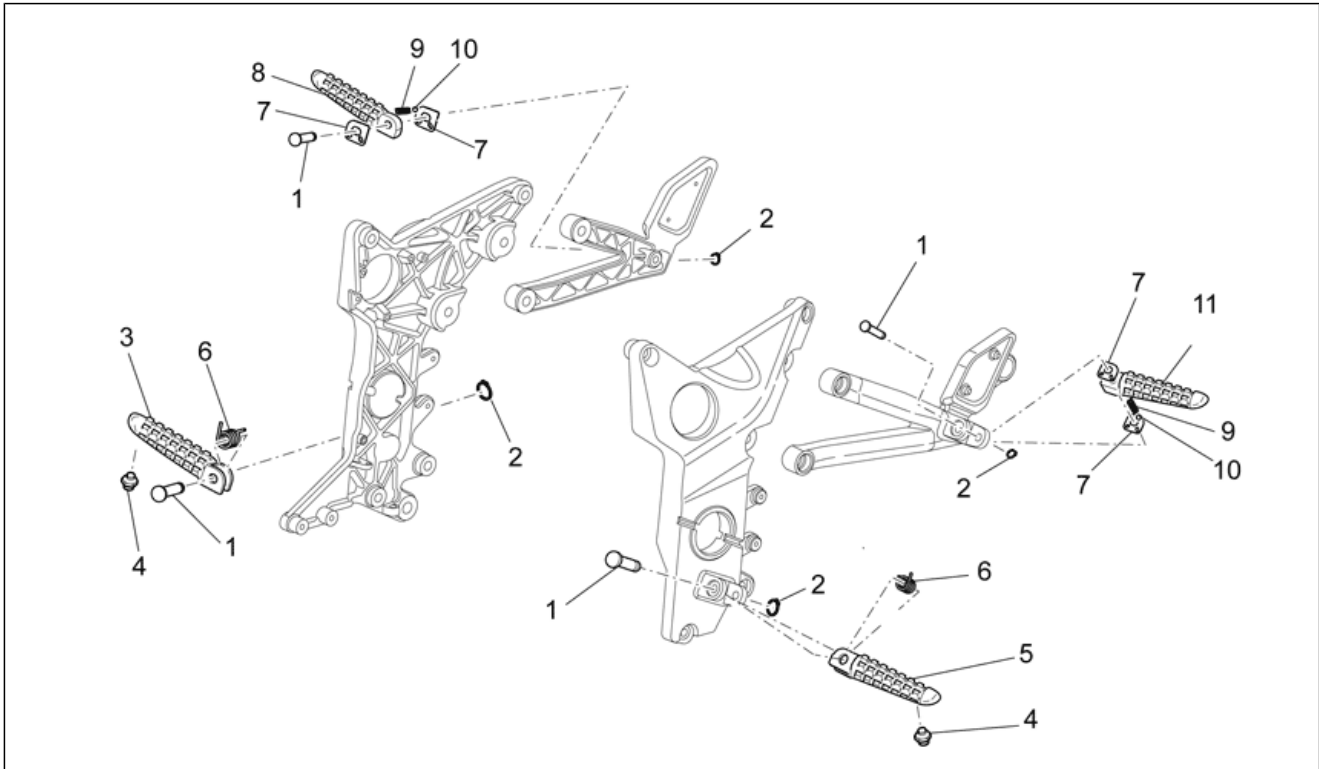
Pos.	Code	Description	Qty	Variants
1	977350	Frame assy black	1	
1	GU06400100	Frame, grey	1	
2	GU98682650	Hex socket screw M12x50	2	
3	GU30217900	Washer 13x18x1,7	2	
4	GU05425530	RH plate	1	
5	AP8152288	Screw w/ flange	2	
6	AP8221160	Pin M12	1	
7	GU95008313	Washer 13x24x2,5	4	
8	AP8150432	Low self-locking nut M12*	2	
9	AP8221307	Pin M12	1	
10	AP8220238	Rubber spacer	2	
11	AP8220162	Rubber spacer	4	
12	GU28576591	Clip M6	8	
13	AP8102375	Clip m5	8	
14	GU06409800	Gasket	3	
15	GU06461300	Guard	1	
16	977050	Guard decal	2	

Group	FRAME
Code	33.02
Description	Lateral stand
Service	1



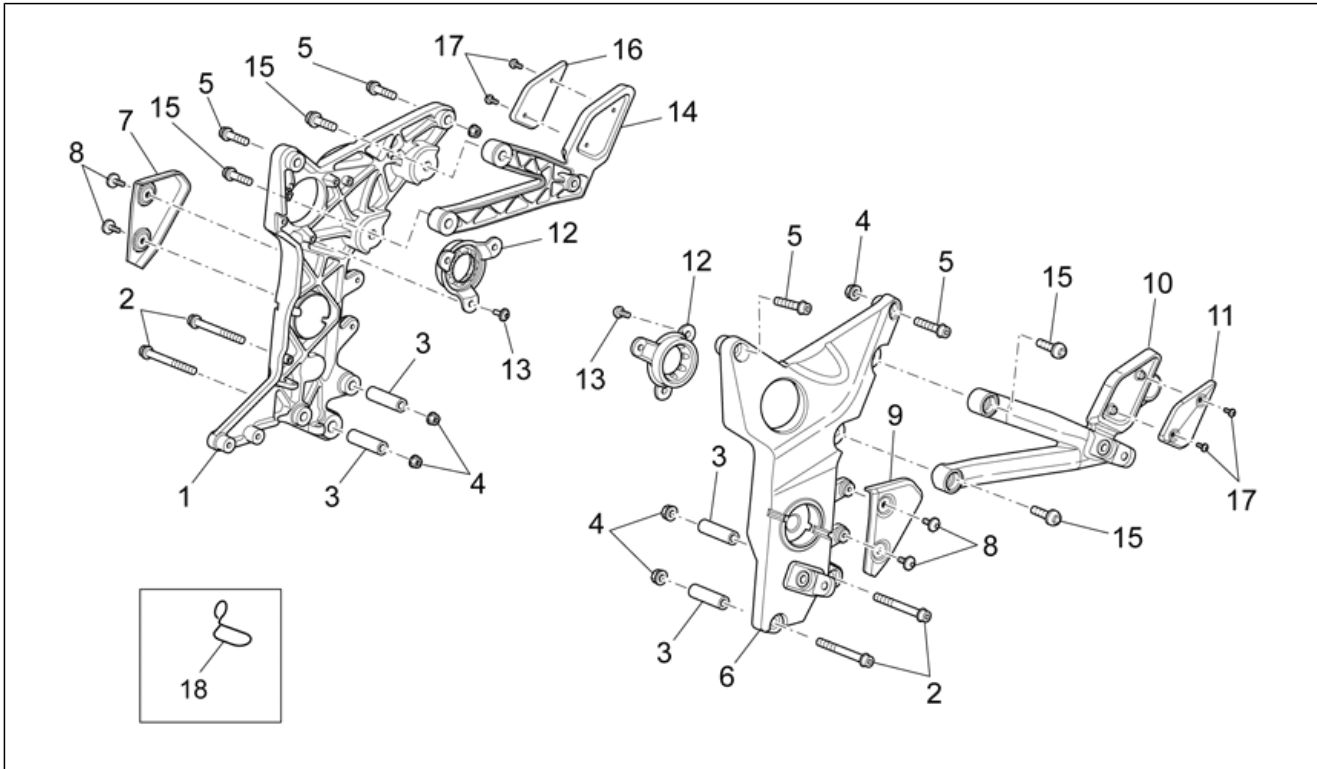
Pos.	Code	Description	Qty	Variants
1	977067	Lateral stand	1	
2	GU06431900	Lever	1	
3	GU06431700	Gasket	1	
4	AP8121795	T bush	2	
5	GU98682316	Hex socket screw M6x16	2	
6	977065	Stand plate	1	
7	AP8121014	Coil pull spring *	1	
8	AP8221197	Lateral stand spring	1	
9	AP8102524	Stand spring protection	1	
10	AP8152473	Screw w/ flange	1	
11	AP8152287	Screw w/ flange M8x25	2	
12	AP8121607	Central stand fixing screw	1	
13	AP8150292	Curved spring washer *	1	
14	AP8152001	Low nut M10x1,25	1	
15	639542	Button for the side stand	1	
16	GU98612220	Hex socket screw	2	
17	AP8152306	Self-locking nut m5	1	
18	GU00823923140	Thermal sheath	1	
19	GU06765500	Fairlead	1	
20	AP8121882	Cable-guide	1	

Group	FRAME
Code	33.03
Description	Foot rests I
Service	1



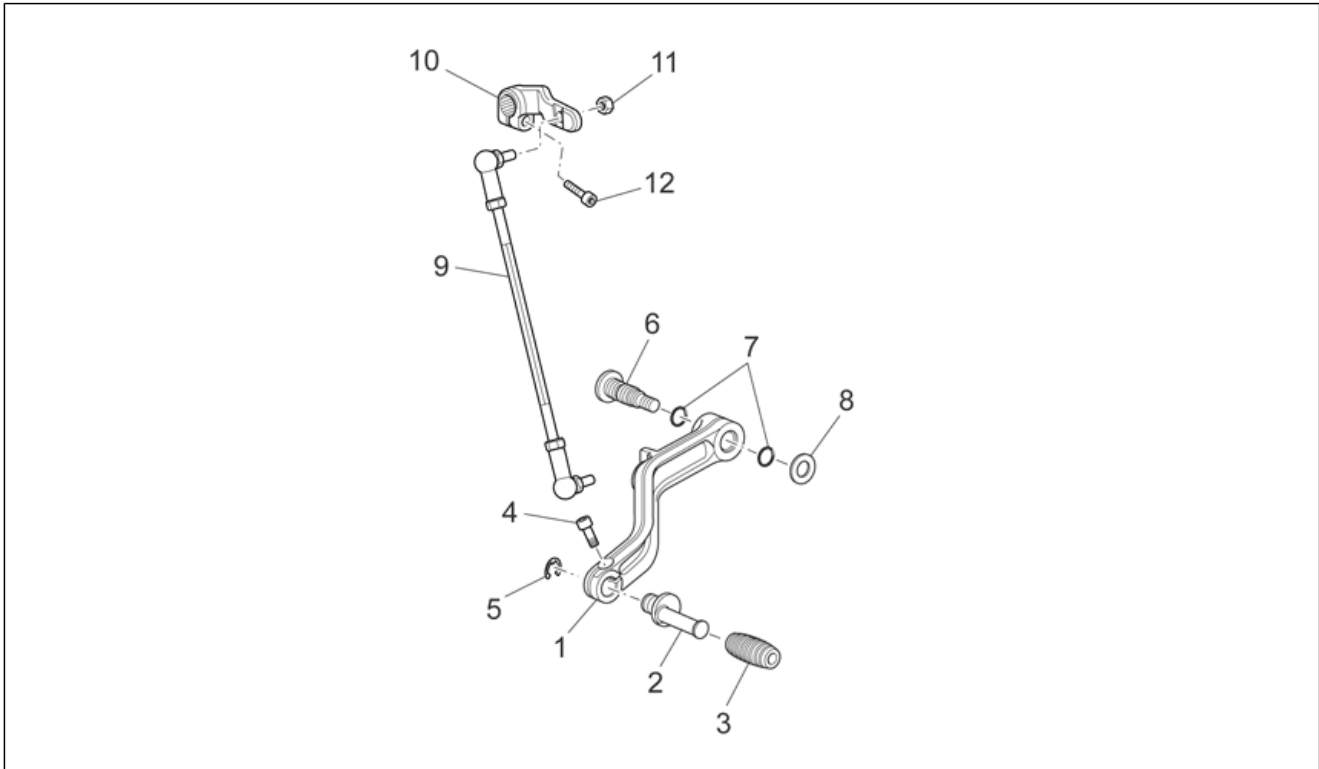
Pos.	Code	Description	Qty	Variants
1	AP8121567	Pin	4	
2	AP8152409	Stop ring	4	
3	884095	RH Foot rests New	1	
3	977822	RH Foot rests Old	1	
4	GU30441005	Pin	2	
5	884096	LH Foot rests New	1	
5	977823	LH Foot rests Old	1	
6	AP8221277	Footrest return spring	2	
7	AP8134451	Footrest plate	4	
8	884097	Rear footrest, RH New	1	
8	977824	Rear footrest, RH Old	1	
9	AP8121133	Coil compress. spring	2	
10	AP8101861	Ball D6,35	2	
11	884098	Rear footrest, LH New	1	
11	977825	Rear footrest, LH Old	1	

Group	FRAME
Code	33.04
Description	Foot rests II
Service	1



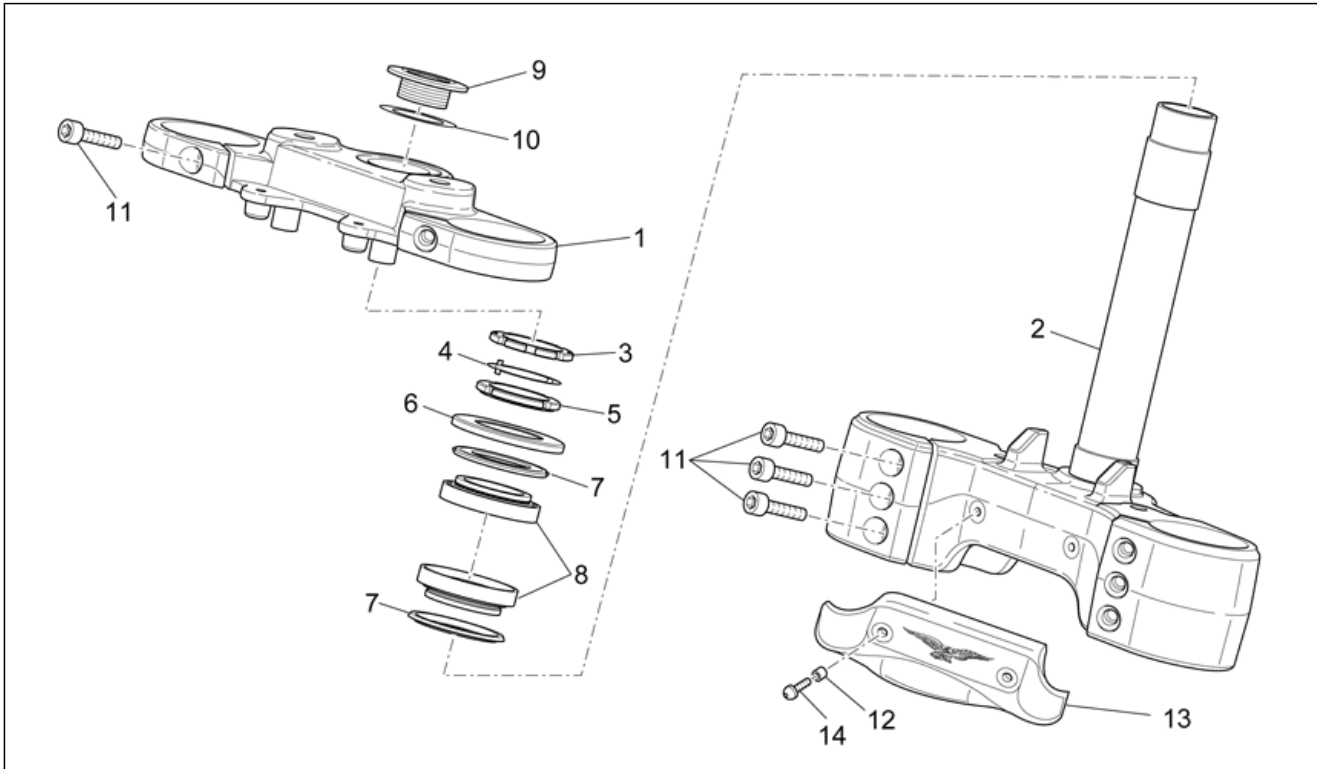
Pos.	Code	Description	Qty	Variants
1	977052	RH plate	1	
2	GU98700475	Screw M8x75	4	
3	AP8121805	Spacer 8,2x14x49,5	4	
4	AP8152300	Self-locking nut M8	6	
5	GU98700430	Screw M8x30	4	
6	977053	LH plate	1	
7	GU06445900	RH protection	1	
8	GU98710215	Screw	4	
9	GU06445901	LH protection	1	
10	GU06446000	LH footrest support	1	
11	GU06447501	LH protection	1	
12	GU05446431	Ring	2	
13	GU98350210	Hex socket screw	6	
14	GU06443500	RH foot rest support	1	
15	GU98700530	Screw M10x30	4	
16	GU06447500	RH protection	1	
17	GU98370412	Hex socket screw M4x12	4	
18	AP8120428	Cable-guide	1	

Group	FRAME
Code	33.05
Description	Gear lever
Service	1



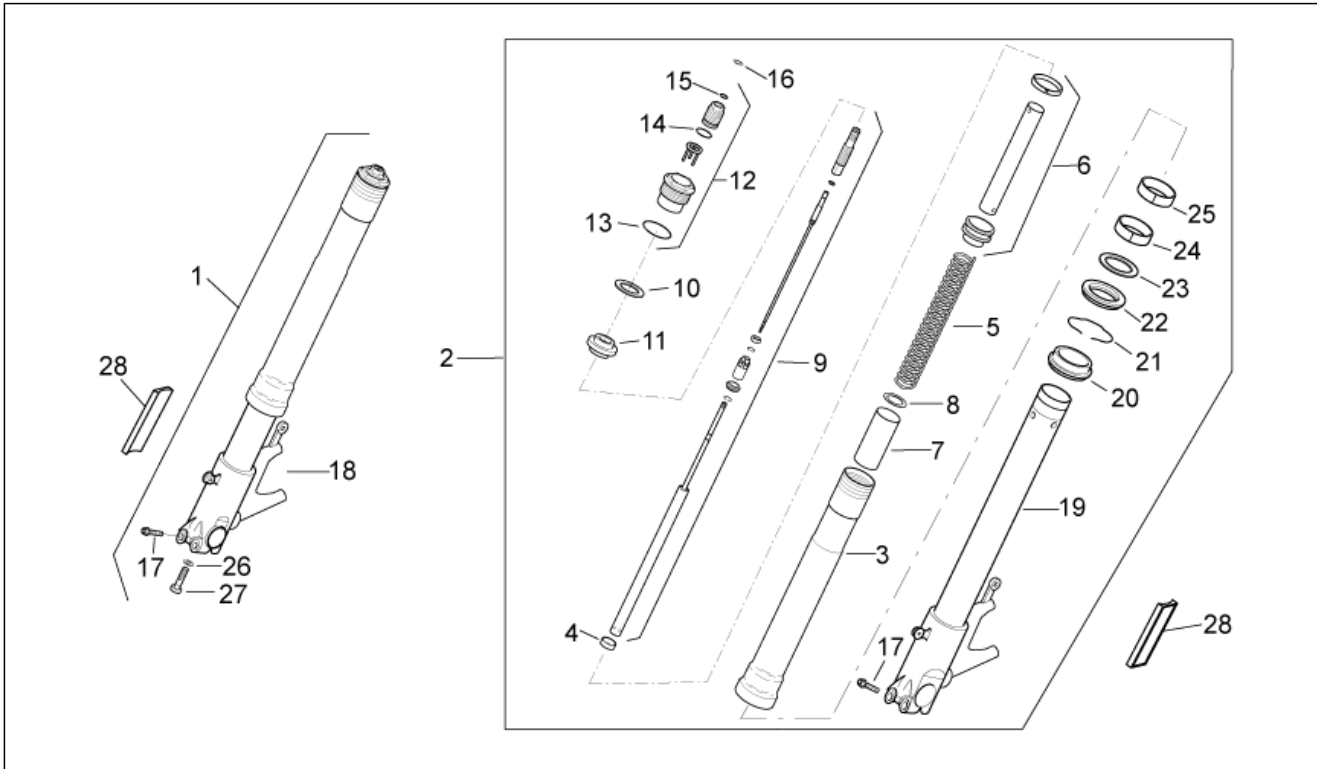
Pos.	Code	Description	Qty	Variants
1	GU06250900	Gear lever	1	
2	AP8121221	Brake lever pin	1	
3	AP8120912	Lever rubber	1	
4	GU98682316	Hex socket screw M6x16	1	
5	AP8150462	Circlip d9	1	
6	AP8121223	Rear brake lever pin	1	
7	AP8144007	O-ring 11,11x1,78	2	
8	GU95008210	Washer 10,2X18X2	1	
9	GU06257800	Change gear tie rod compl.	1	
10	GU05256930	Lever	1	
11	GU92630707	Nut	2	
12	GU98682320	Hex socket screw M6x20	1	

Group	FRAME
Code	33.06
Description	Steering
Service	1



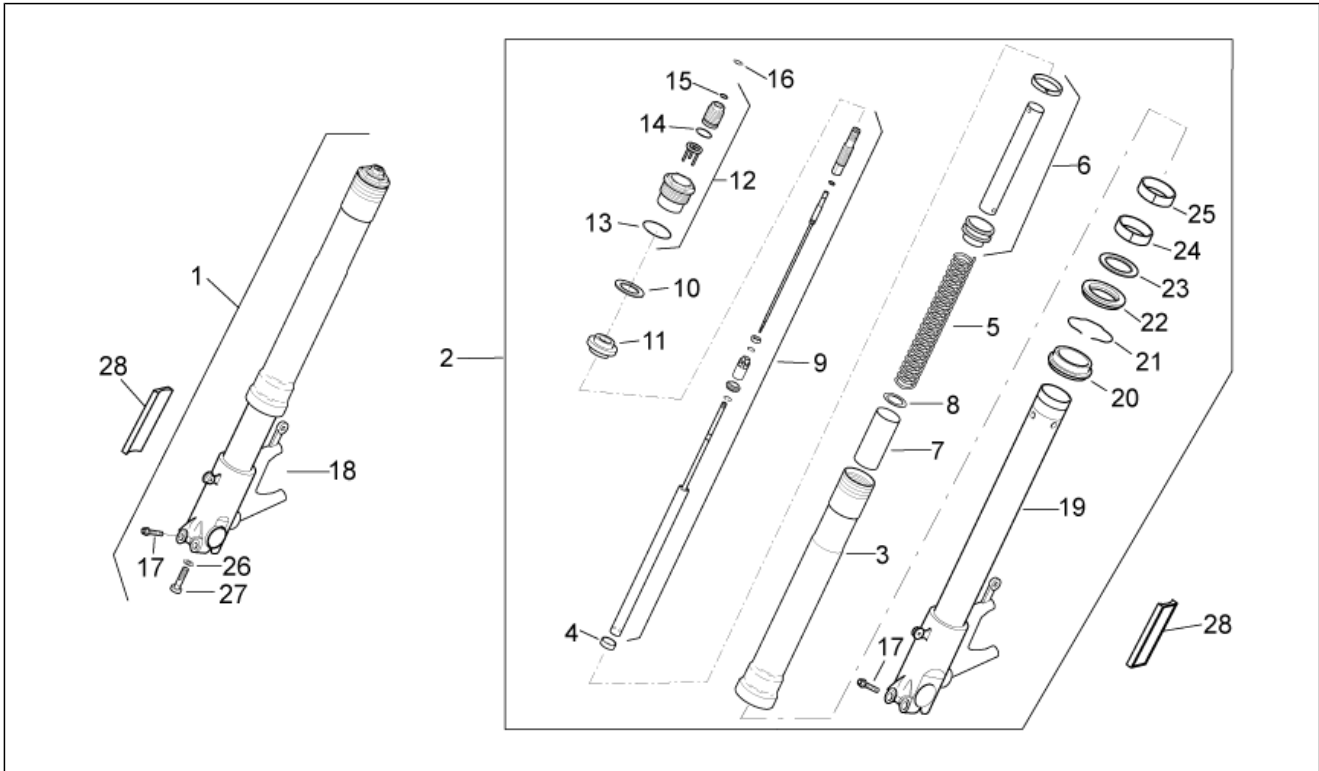
Pos.	Code	Description	Qty	Variants
1	GU06493100	Fork upper plate	1	
2	GU06494000	Stem base	1	
3	AP8123643	Return ring nut	1	
4	AP8121207	Steering security plate	1	
5	AP8123642	Ring nut	1	
6	AP8123644	Dust cover ring	1	
7	AP8123641	Dust cover ring	2	
8	AP8110077	Axial ball bearing	2	
9	AP8121346	Upper plate fixing bush	1	
10	AP8152384	Stem plug washer	1	
11	GU98700430	Screw M8x30	8	
12	AP8221036	Bushing 5,3x8x7,1	2	
13	GU05658431	Brake hose fixing plate	1	
14	AP8152298	Screw w/ flange M5x16	2	

Group	FRAME
Code	33.07
Description	Front fork
Service	1



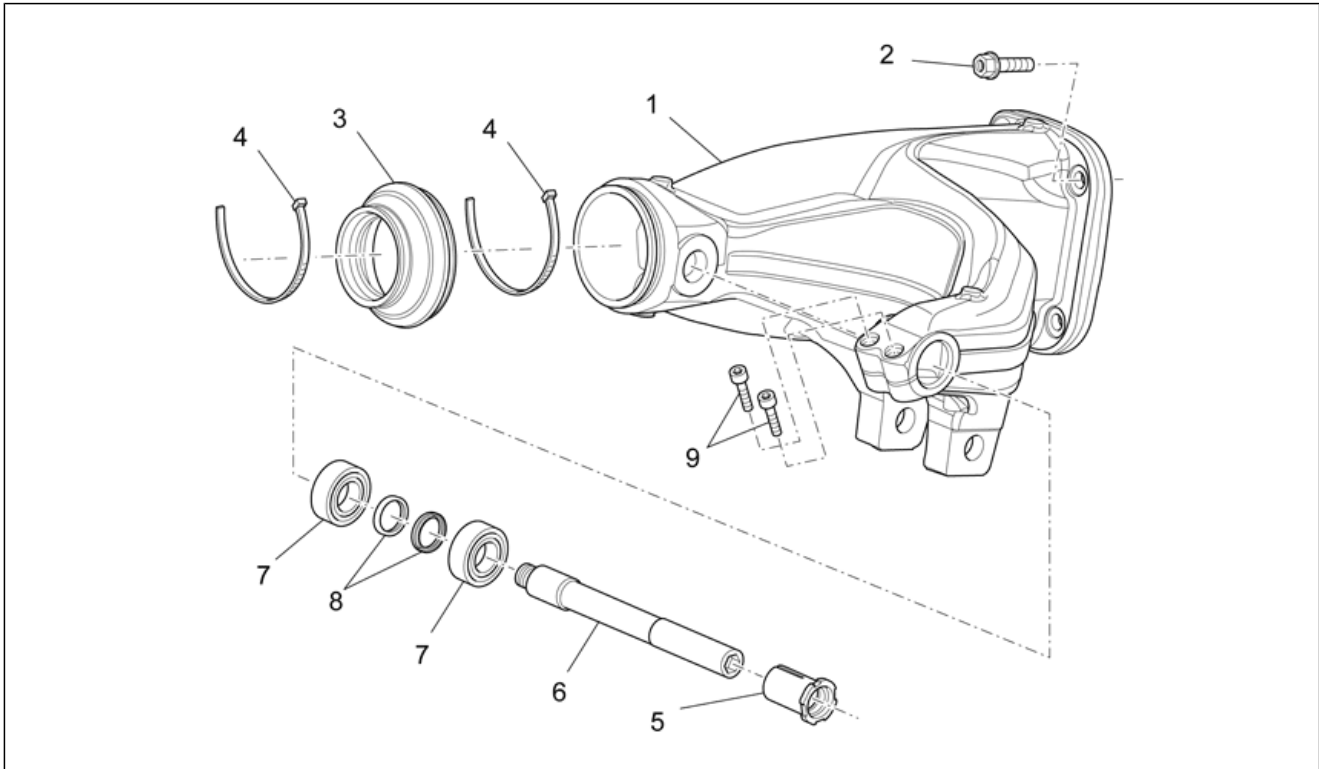
Pos.	Code	Description	Qty	Variants
1	978160	RH radial sleeve	1	
2	978159	LH radial sleeve	1	
3	978487	Sleeve	2	
4	AP8123810	Plunger attachment bush	2	
5	AP8163495	Spring	2	
6	AP8123832	Preload tube cpl.	2	
7	AP8123835	Spacer	2	
8	AP8123836	Washer	2	
9	AP8163496	Plunger, complete	2	
10	AP8123816	Washer	2	
11	AP8123815	Ring	2	
12	AP8123817	Sleeve plug cpl.	2	
13	AP8123834	O-ring	2	
14	AP8123819	O-ring	2	
15	AP8123820	O-ring	2	
16	AP8123821	Stop ring	2	
17	AP8152290	Screw w/ flange M8x40	4	
18	978456	***RIGHT STEM	1	
19	978455	***LEFT STEM	1	
20	AP8123824	Dust cover	2	
21	981013	Circlip	2	
22	AP8123825	Oil seal	2	
23	981012	Ring	2	
24	AP8123827	Bush D.47,1xd.43xh.20	2	
25	AP8123828	Bush D.44,5xd.41,1xh.20	2	
26	AP8123811	Special washer	2	
27	AP8123812	screw M10x1,5	2	
28	GU05781630	Reflector, amber	2	Country:Canadian[CA], United States of America[USA]

Group	FRAME
Code	33.07
Description	Front fork
Service	1



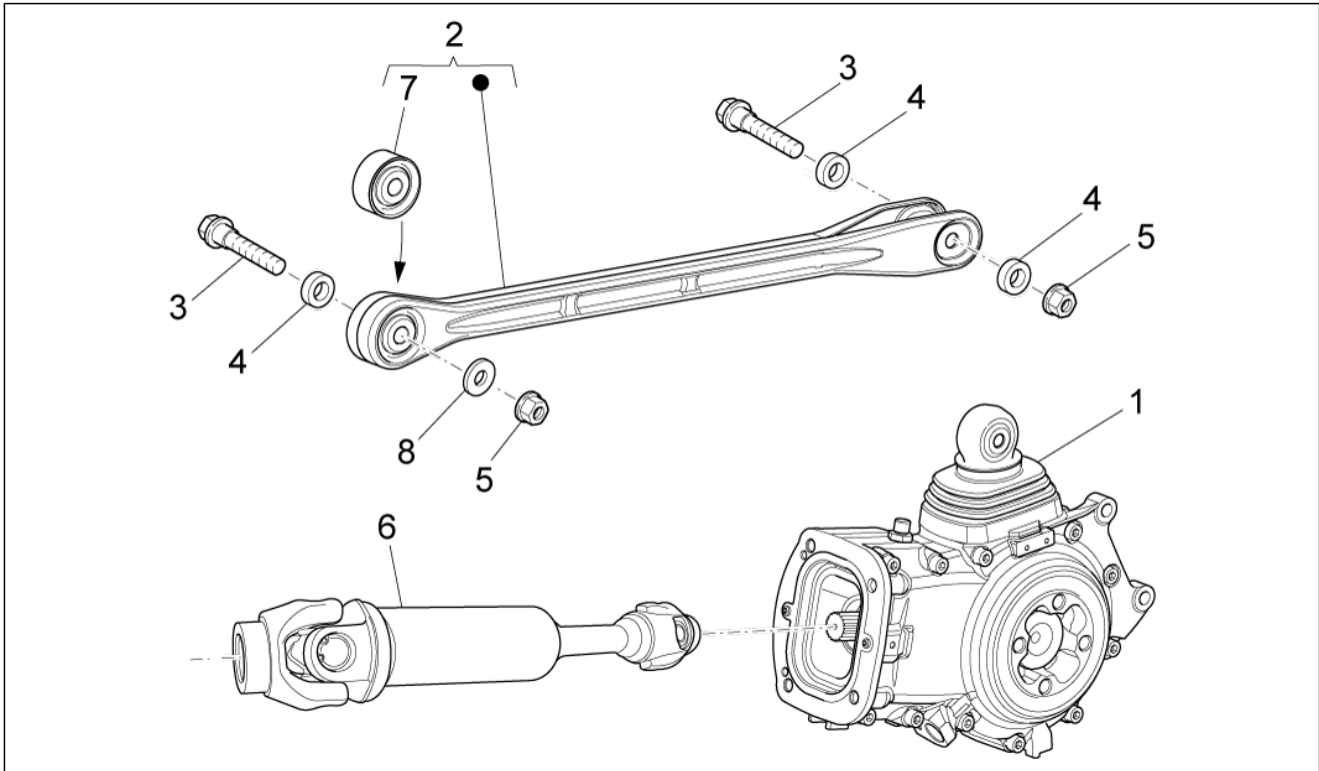
Pos.	Code	Description	Qty	Variants
				Technical Specifications:Standard Version[std]

Group	FRAME
Code	33.08
Description	Swing arm
Service	1



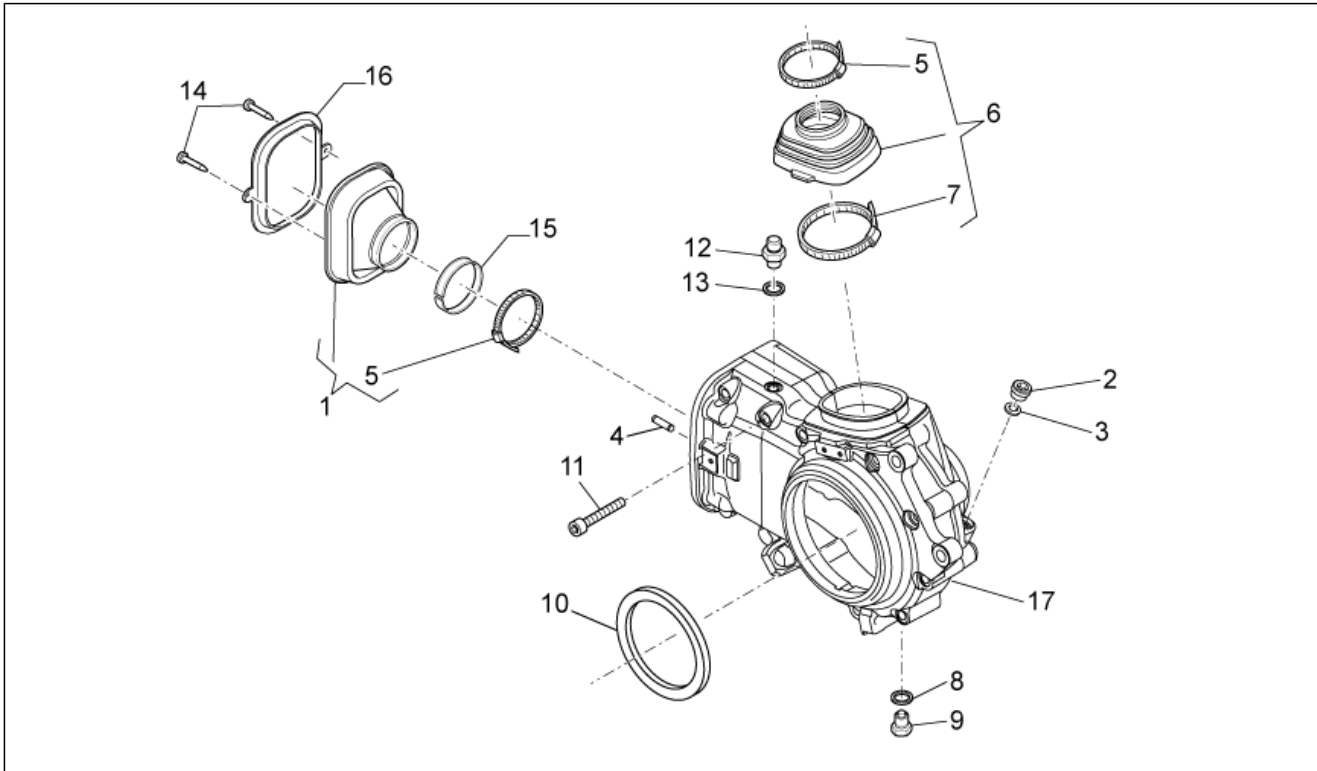
Pos.	Code	Description	Qty	Variants
1	978350	Swing arm, black	1	
2	AP8152318	Screw w/ flange M10x35	4	
3	GU05548030	Rubber bellows	1	
4	GU93304390	Hose clamp 3,6x375	2	
5	GU05547130	Bush	1	
6	GU05547030	Pin	1	
7	GU92249224	Roller bearing 25x47x17	2	
8	GU05547930	Gasket ring	2	
9	GU98682325	Hex socket screw M6x25	2	

Group	FRAME
Code	33.09
Description	Transmission complete
Service	1



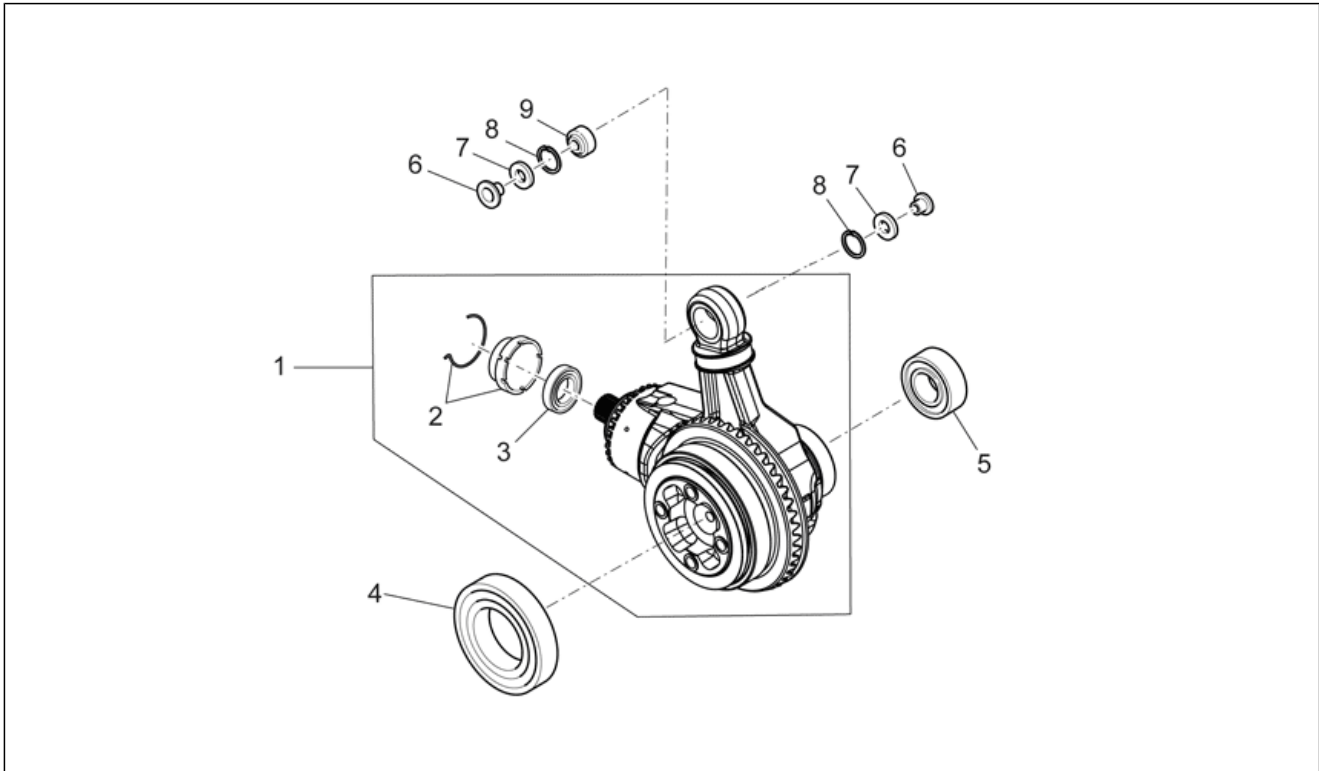
Pos.	Code	Description	Qty	Variants
1	976570	Transmission complete black	1	
2	883046	Reaction rod assy.	1	
3	AP8152410	Screw w/ flange M10x55	2	
4	AP8121218	Spacer 10,2x20x4	3	
5	AP8152242	Nut	2	
6	GU05326330	Drive shaft	1	
7	883045	Silent-block	1	
8	GU14018400	Washer 10,5X21X1	1	

Group	FRAME
Code	33.10
Description	Trans.cpl.-Cage
Service	1



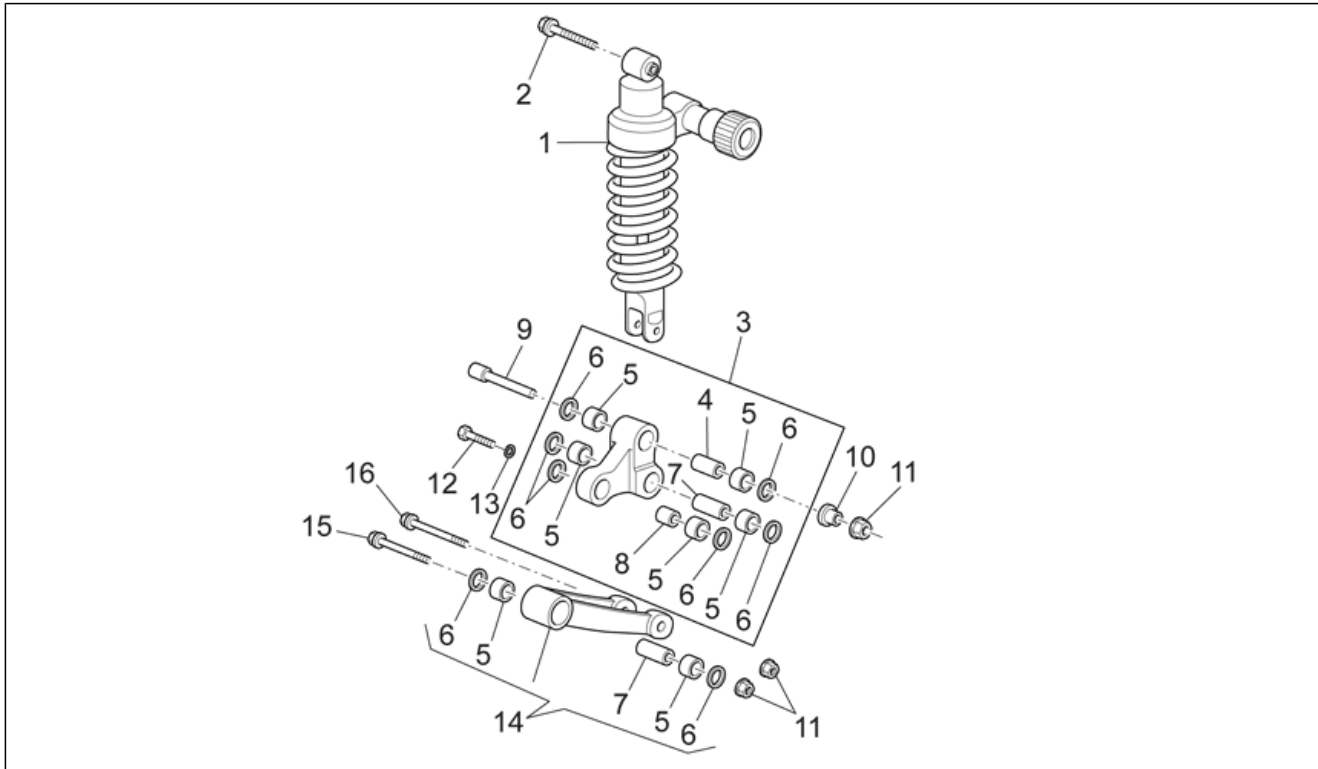
Pos.	Code	Description	Qty	Variants
1	GU05358330	Upper dust cover	1	
2	GU05351230	Oil plug M12x1,5	1	
3	GU90718120	Washer	1	
4	GU95510620	Pin 6x20	2	
5	GU05358130	Hose clamp	2	
6	GU05358030	Upper dust cover	1	
7	GU05358230	Hose clamp	1	
8	GU01528930	Gasket 10x18x1,5	1	
9	GU31003766	Oil unload plug M10x1	1	
10	GU90408511	Gasket ring 85x110x8BASL	1	
11	GU98680450	Hex socket screw M8x50	11	
12	GU05206530	Breather plug	1	
13	GU01528930	Gasket 10x18x1,5	1	
14	GU99210406	screw M3,9x6,5	2	
15	GU05358530	Ring	1	
16	GU05358630	Gasket	1	
17	978392	Transmission housingblack	1	

Group	FRAME
Code	33.11
Description	Trans.cpl.-Bevel gear
Service	1



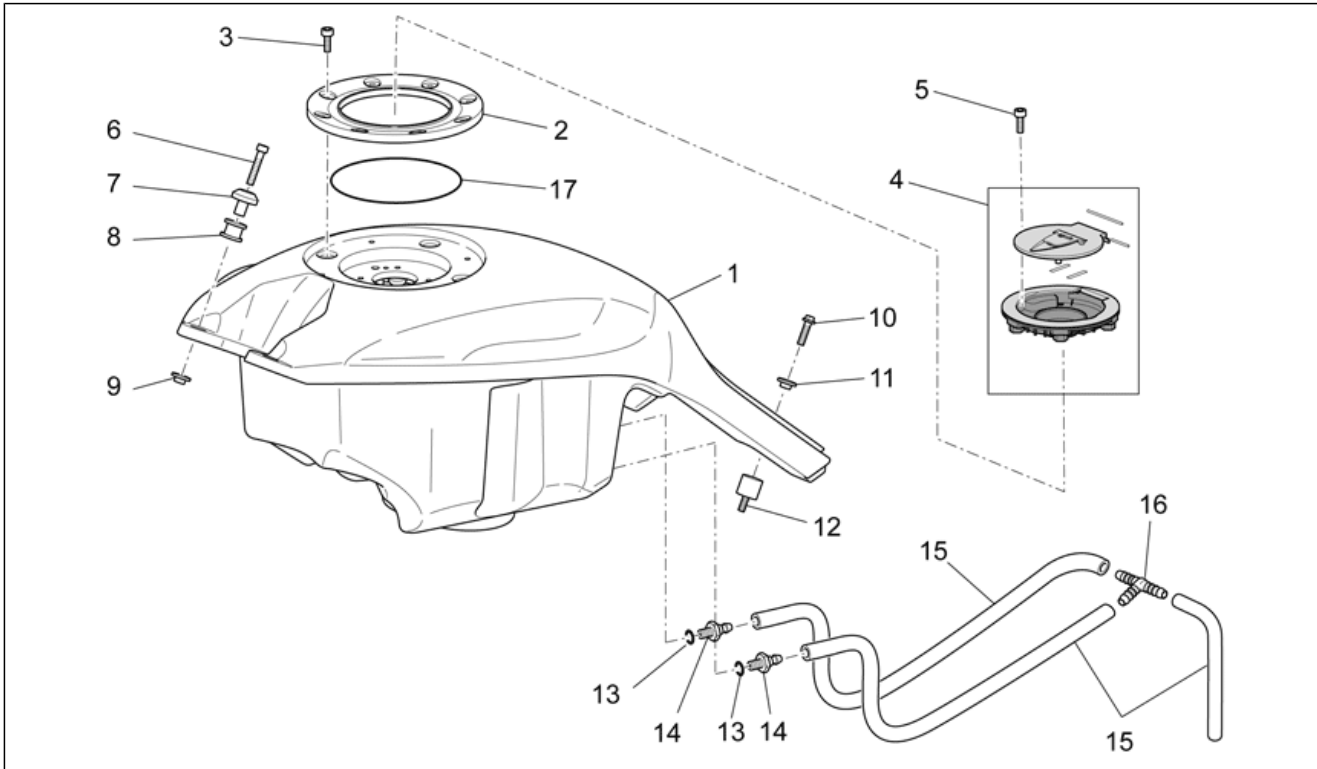
Pos.	Code	Description	Qty	Variants
1	976581	Bevel gear kit 12/44	1	
2	GU05352430	Ring nut	1	
3	GU90404558	Gasket ring 45x58x7	1	
4	GU92208518	Ball bearing 85x120x18	1	
5	GU92204230	Ball bearing 30x62x16	1	
6	AP8121098	Bush	2	
7	AP8120485	Gasket ring	2	
8	GU90273026	Circlip	2	
9	GU05638130	Ball joint	1	

Group	FRAME
Code	33.12
Description	Connecting rod - rear shock abs.
Service	1



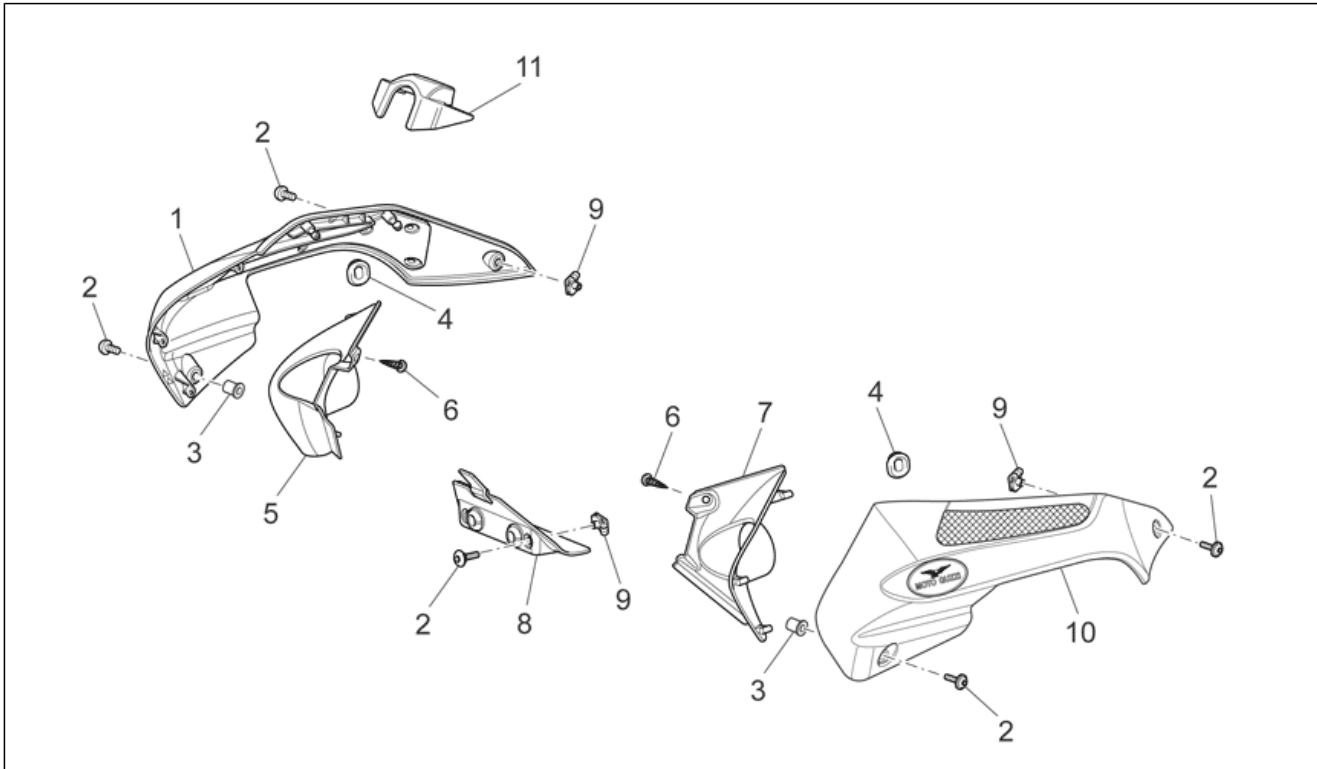
Pos.	Code	Description	Qty	Variants
1	GU06550200	Shock absorber	1	
2	AP8152398	Screw w/ flange M10x80	1	
3	GU05560330	Double conrod	1	
4	AP8135924	Double connecting rod pin L40	1	
5	AP8110066	Cage à rouleaux	7	
6	AP8110068	Oil seal D18x24x3	8	
7	GU05562030	Double connecting rod pin L47	2	
8	AP8135608	Double connecting rod pin L25	1	
9	AP8152397	Hex socket screw M10x82	1	
10	AP8121155	T bush *	1	
11	AP8152301	Self-locking nut	3	
12	AP8152147	Hex screw M10x47	1	
13	AP8150292	Curved spring washer *	1	
14	GU05562430	Single conrod comp.	1	
15	AP8152482	Screw w/ flange M10x85	1	
16	AP8152396	Screw w/ flange M10x95	1	

Group	FRAME
Code	33.13
Description	Fuel tank
Service	1



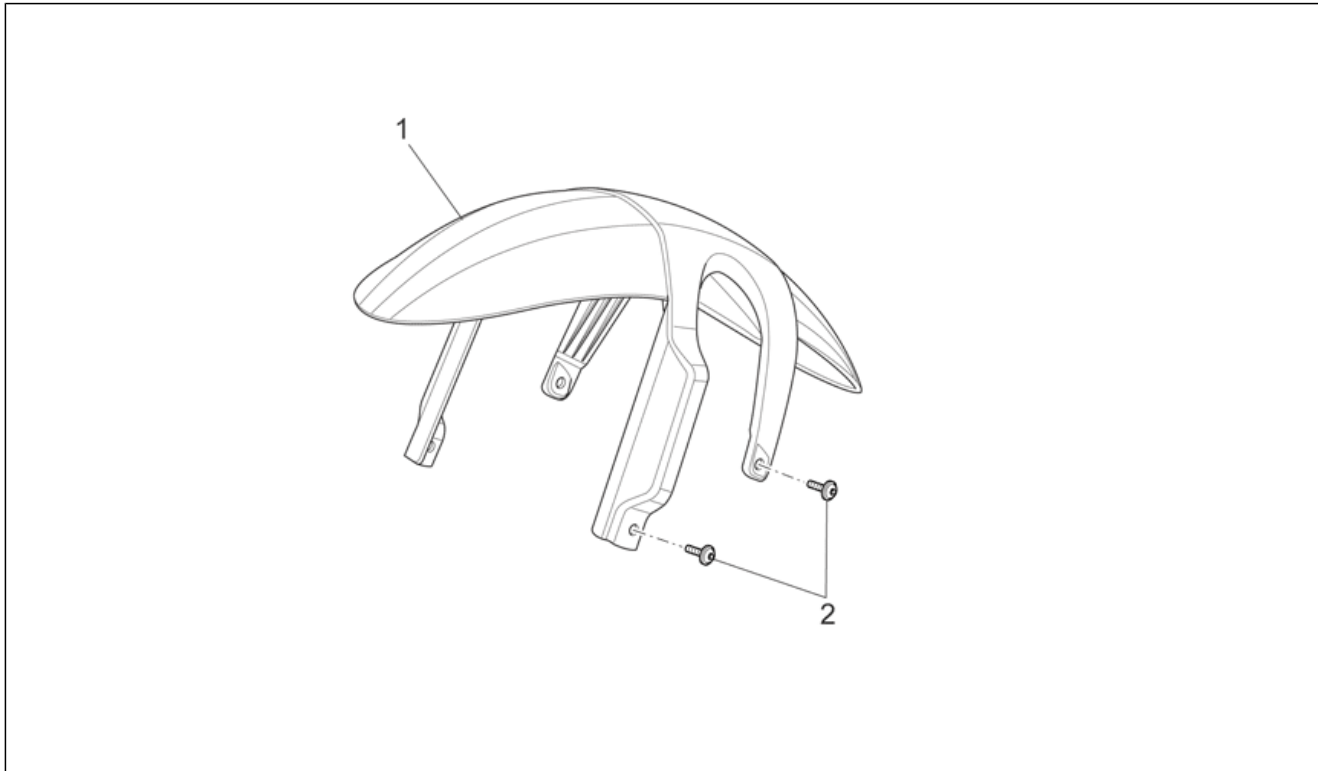
Pos.	Code	Description	Qty	Variants
1	88797200YE3	Fuel tank, grey	1	Vehicle colour:Black Devil[b/d] Technical Specifications:Decal[D]
1	GU06100200	Fuel tank blank	1	Vehicle colour:Blank[gr]
1	GU0610020000BM	Fuel tank, white	1	Vehicle colour:Diamond Light 2007[d/wh] Technical Specifications:Decal[D]
1	GU0610020000Y01	Fuel tank, red	1	Vehicle colour:Guzzi Red 2007[r/red] Technical Specifications:Decal[D]
1	GU0610020000Y02	Fuel tank, black	1	Vehicle colour:Guzzi Black 2007[g/bl] Technical Specifications:Decal[D]
1	GU0610020000YV2	Fuel tank, green	1	Vehicle colour:Tenni Green 2009 (s.t.883601)[t/gn] Technical Specifications:Decal[D]
2	GU06102300	Plug ring nut	1	
3	GU98710215	Screw	8	
4	GU06103900	Tank cap	1	
5	B043864	Hex socket screw M5x14	4	
6	GU98680340	Hex socket screw M6x40	2	
7	GU06107100	Fuel tank bush	2	
8	AP8144328	Rubber spacer	2	
9	AP8121075	T bush *	2	
10	AP8152280	Screw w/ flange M6x25	2	
11	GU06704901	T bush *	2	
12	GU93222023	Silent-block	2	
13	GU30103730	Joint	2	
14	AP8120965	O-ring 2018	2	
15	AP8220263	Breather pipe 4x8	3	
16	AP8104666	3-way union	1	
17	977062	O-ring 164,69X3,53	1	

Group	FRAME
Code	33.14
Description	Front body - Duct
Service	1



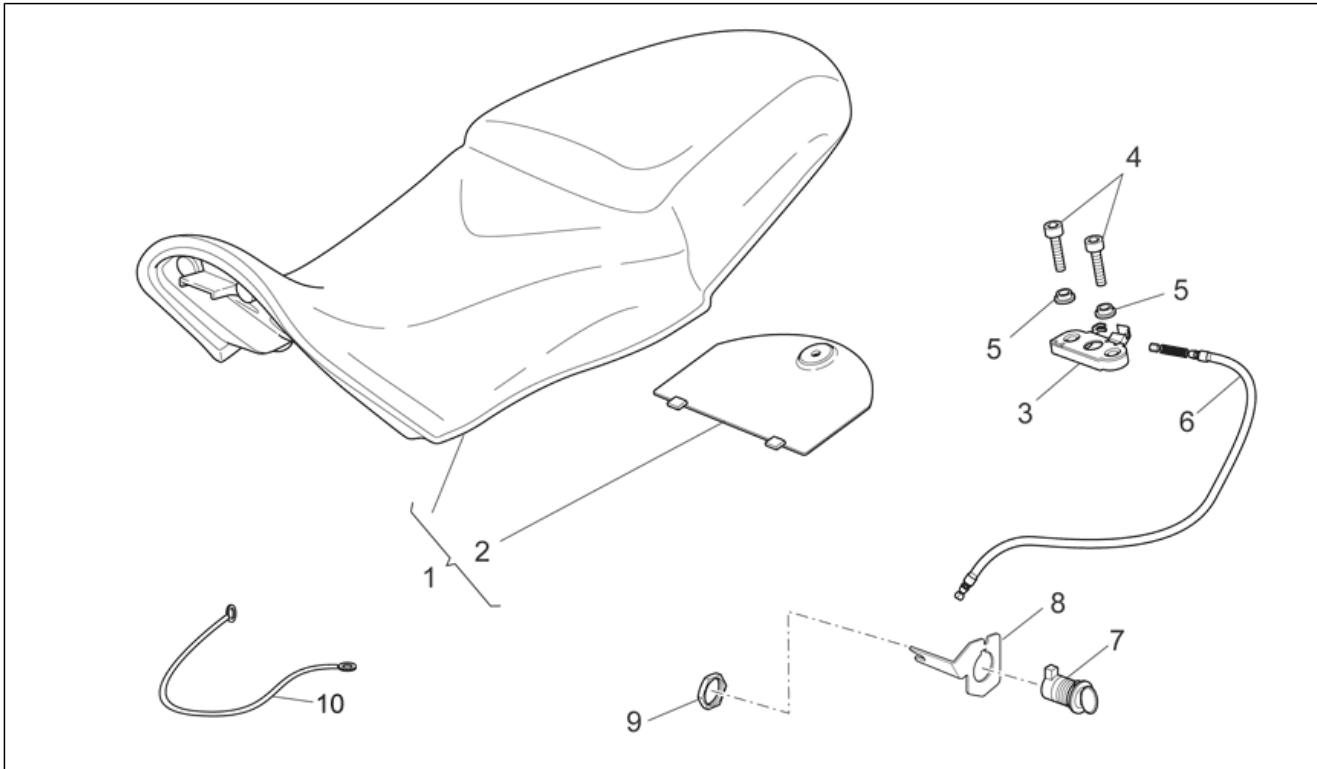
Pos.	Code	Description	Qty	Variants
1	88797300YN1	RH air duct, black	1	Vehicle colour:Black Devil[b/d] Technical Specifications:Decal[D]
1	97840400BM	RH air duct,white	1	Vehicle colour:Diamond Light 2007[d/wh] Technical Specifications:Decal[D]
1	97840400Y01	RH air duct, red	1	Vehicle colour:Guzzi Red 2007[r/red] Technical Specifications:Decal[D]
1	97840400Y02	RH air duct, black	1	Vehicle colour:Guzzi Black 2007[g/bl] Technical Specifications:Decal[D]
1	97840400YV2	RH air duct, red	1	Vehicle colour:Tenni Green 2009 (s.t.883601)[t/gn] Technical Specifications:Decal[D]
2	AP8152302	Screw w/ flange M5x12	8	
3	GU93231605	Antivibration bush	2	
4	AP8220162	Rubber spacer	4	
5	GU06576800	RH Covers	1	
6	AP8150413	Self-tap screw 3,9x14	6	
7	GU06576900	LH Covers	1	
8	GU06729800	Protection	1	
9	AP8102375	Clip m5	2	
10	88797400YN1	LH air duct, black	1	Vehicle colour:Black Devil[b/d] Technical Specifications:Decal[D]
10	97840500BM	LH air duct, white	1	Vehicle colour:Diamond Light 2007[d/wh] Technical Specifications:Decal[D]
10	97840500Y01	LH air duct, red	1	Vehicle colour:Guzzi Red 2007[r/red] Technical Specifications:Decal[D]
10	97840500Y02	LH air duct, black	1	Vehicle colour:Guzzi Black 2007[g/bl] Technical Specifications:Decal[D]
10	97840500YV2	LH air duct, red	1	Vehicle colour:Tenni Green 2009 (s.t.883601)[t/gn] Technical Specifications:Decal[D]
11	GU06783600	Guard	1	

Group	FRAME
Code	33.15
Description	Front mudguard
Service	1



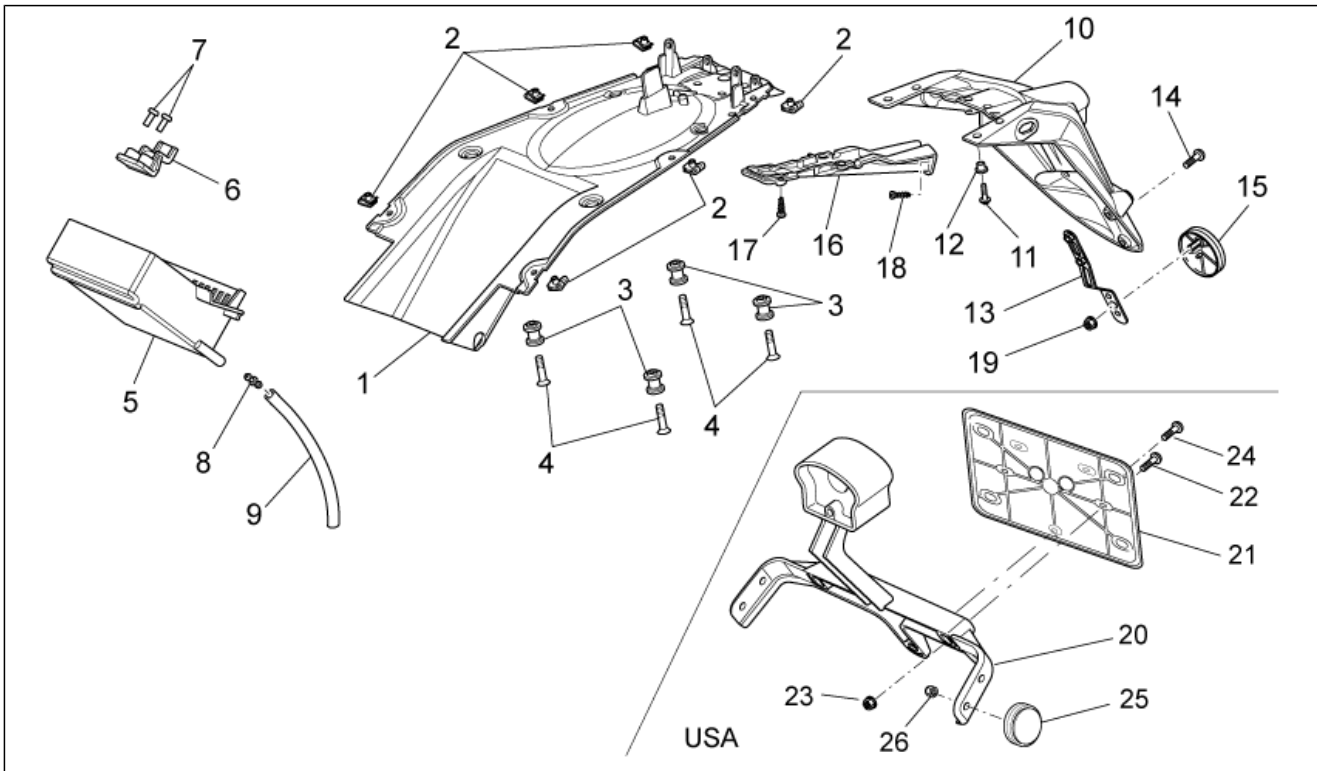
Pos.	Code	Description	Qty	Variants
1	GU06434300	Front mudguard blank	1	
1	GU0643430000BM	Front mudguard, white	1	Vehicle colour: Diamond Light 2007[d/wh]
1	GU0643430000YN1	Front mudguard, black	1	Vehicle colour: Black Devil[b/d] Technical Specifications: Nuova distribuzione a rullini[ND]
1	GU0643430000YV2	Front mudguard, green	1	Vehicle colour: Tenni Green 2009 (s.t.883601)[t/gn]
1	GU06434301	Front mudguard, black	1	Vehicle colour: Guzzi Black 2007[g/bl]
1	GU06434302	Front mudguard, red	1	Vehicle colour: Guzzi Red 2007[r/red]
2	AP8152339	Screw w/ flange M5x9	4	

Group	FRAME
Code	33.16
Description	Saddle
Service	1



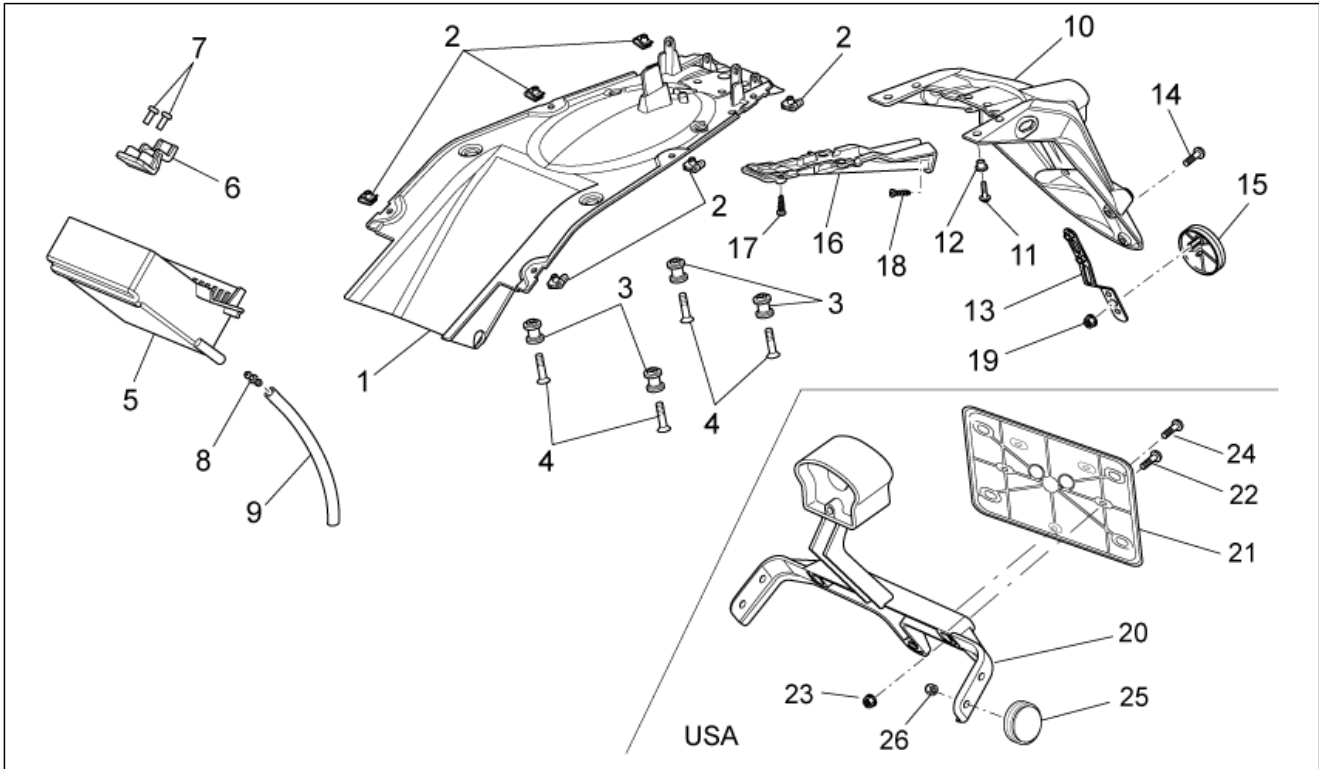
Pos.	Code	Description	Qty	Variants
1	883606	Saddle	1	Year:2010[A], 2011[B] Technical Specifications:Special Edition Version[SE]
1	887976	Saddle	1	Year:2012[C] Vehicle colour:Black Devil[b/d] Technical Specifications:Special Edition Version[SE]
1	978239	Saddle	1	Technical Specifications:Standard Version[std]
2	GU06479600	Door	1	
3	AP8102913	Pass.saddle connecting plate	1	
4	GU98370625	Hex socket screw	2	
5	AP8152299	Self-locking nut M6	2	
6	GU06462100	Saddle release cable	1	
7	GU05466830	Saddle lock	1	
8	AP8134948	Plate	1	
9	AP8102523	Lock nut M22x1,5	1	
10	AP8102502	Helmet lock cable	1	

Group	FRAME
Code	33.17
Description	Rear body - Mudguard
Service	1



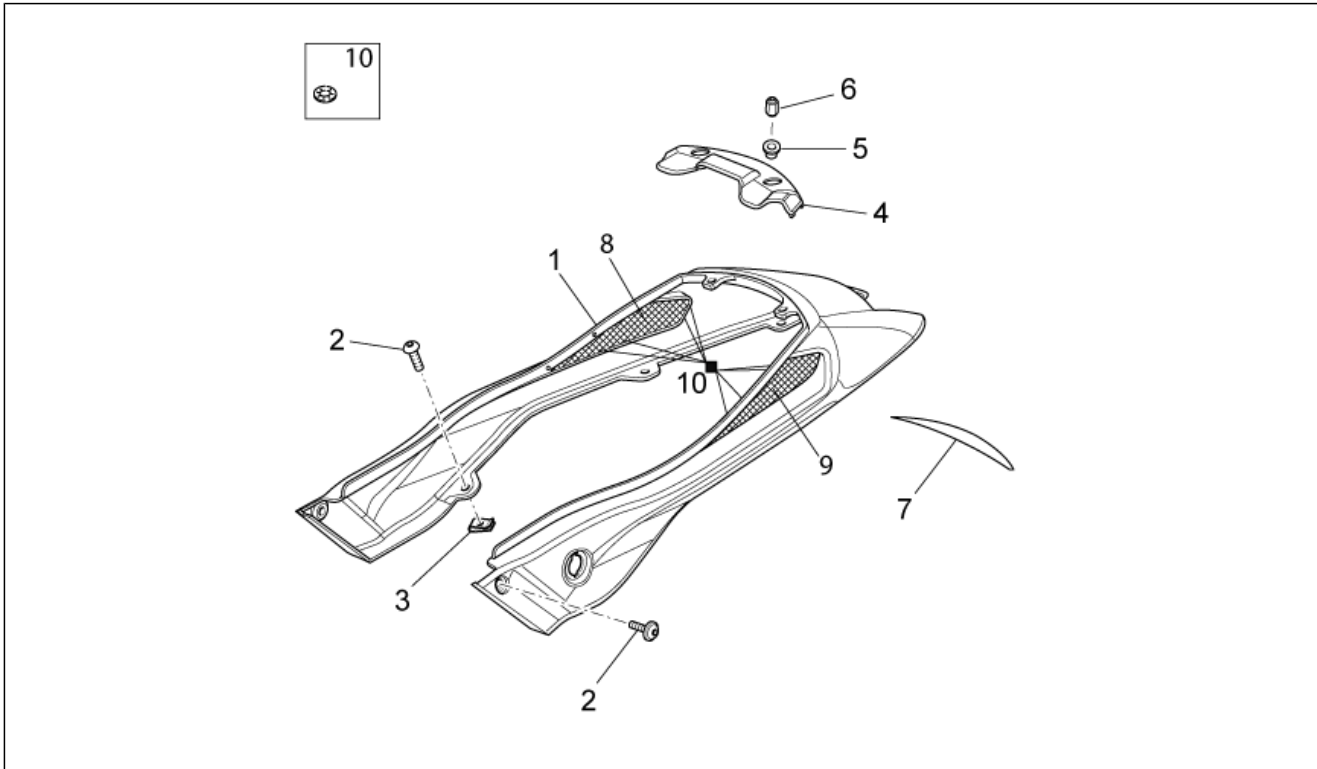
Pos.	Code	Description	Qty	Variants
1	GU06438700	Splash guard	1	
2	AP8102375	Clip m5	6	
3	GU06467300	Stud bolt	4	
4	GU98250835	screw	4	
5	GU06704800	Battery holder	1	
6	GU06418600	Battery fixing plate	1	
7	AP8150377	screw	2	
8	GU06704700	Joint	1	
9	AP8220263	Breather pipe 4x8	1	
10	GU06438600	Number plate holder	1	
11	GU98680222	Hex socket screw	6	
12	AP8121929	T bush 6,5x8,6x9	6	
13	AP8134448	Reflector support	1	
14	AP8152268	Hex socket screw M5x16	2	
15	AP8224164	Rear reflector, red	1	
16	GU06439200	Support	1	
17	AP8150413	Self-tap screw 3,9x14	2	
18	AP8150420	Self-tapping screw *	1	
19	AP8152306	Self-locking nut m5	1	
20	977421	Number plate holder support	1	Country:Canadian[CA], United States of America[USA] Technical Specifications:Standard Version[std]
21	AP8149034	Number plate support	1	Country:Canadian[CA], United States of America[USA] Technical Specifications:Standard Version[std]
22	GU98223530	screw	2	Country:Canadian[CA], United States of America[USA] Technical Specifications:Standard Version[std]
23	GU92650035	Flanged nut	2	Country:Canadian[CA], United States of America[USA] Technical Specifications:Standard Version[std]
24	AP8152270	Hex socket screw M5x25	1	Country:Canadian[CA], United States of America[USA] Technical Specifications:Standard Version[std]

Group	FRAME
Code	33.17
Description	Rear body - Mudguard
Service	1



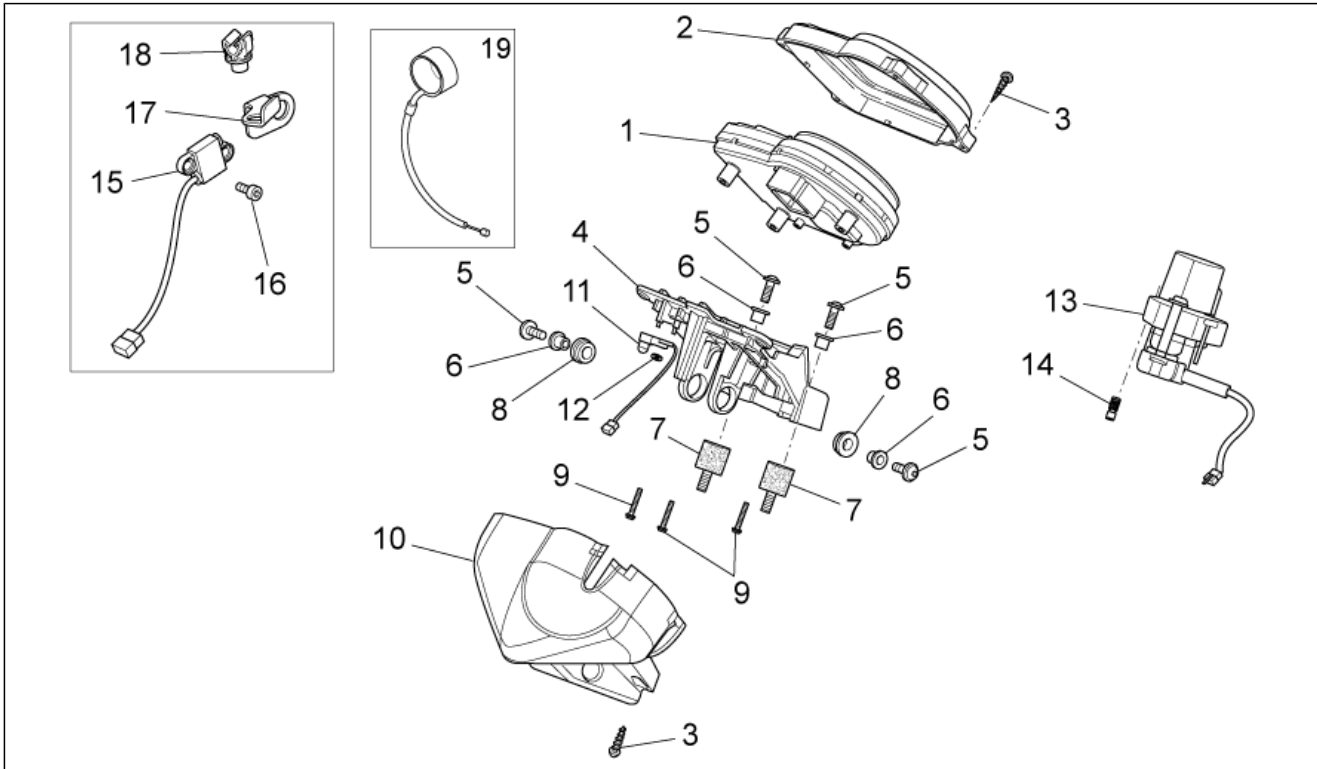
Pos.	Code	Description	Qty	Variants
25	AP8224164	Rear reflector, red	1	Country:Canadian[CA], United States of America[USA] Technical Specifications:Standard Version[std]
26	AP8152306	Self-locking nut m5	2	Country:Canadian[CA], United States of America[USA] Technical Specifications:Standard Version[std]

Group	FRAME
Code	33.18
Description	Rear body - Rear fairing
Service	1



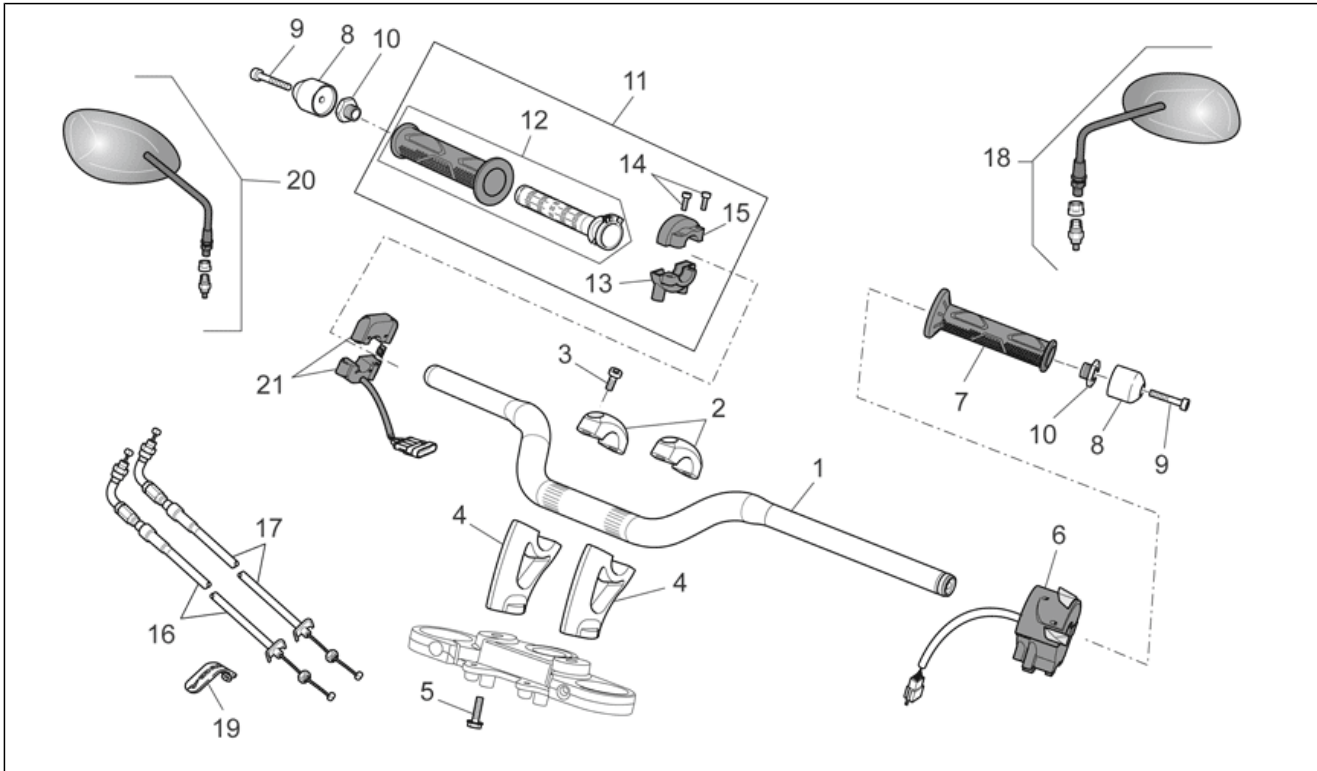
Pos.	Code	Description	Qty	Variants
1	88797500YN1	Rear tail black	1	Vehicle colour:Black Devil[b/d] Technical Specifications:Decal[D]
1	GU0657310000BM	Rear fairing, white	1	Vehicle colour:Diamond Light 2007[d/wh] Technical Specifications:Decal[D]
1	GU0657310000Y01	Rear tail red	1	Vehicle colour:Guzzi Red 2007[r/red] Technical Specifications:Decal[D]
1	GU0657310000Y02	Rear tail black	1	Vehicle colour:Guzzi Black 2007[g/bl] Technical Specifications:Decal[D]
1	GU0657310000YV2	Rear fairing, green	1	Vehicle colour:Tenni Green 2009 (s.t.883601)[t/gn] Technical Specifications:Decal[D]
2	AP8152302	Screw w/ flange M5x12	8	
3	AP8102375	Clip m5	6	
4	GU06573300	Covers	1	
5	AP8121929	T bush 6,5x8,6x9	2	
6	GU06469200	Spacer	2	
7	GU06741200	Vibration-damping rubber	1	
8	GU06571500	RH side panel guard	1	
9	GU06571600	LH side panel guard	1	
10	AP8150450	Washer for shafts D5	1	

Group	FRAME
Code	33.19
Description	Dashboard
Service	1



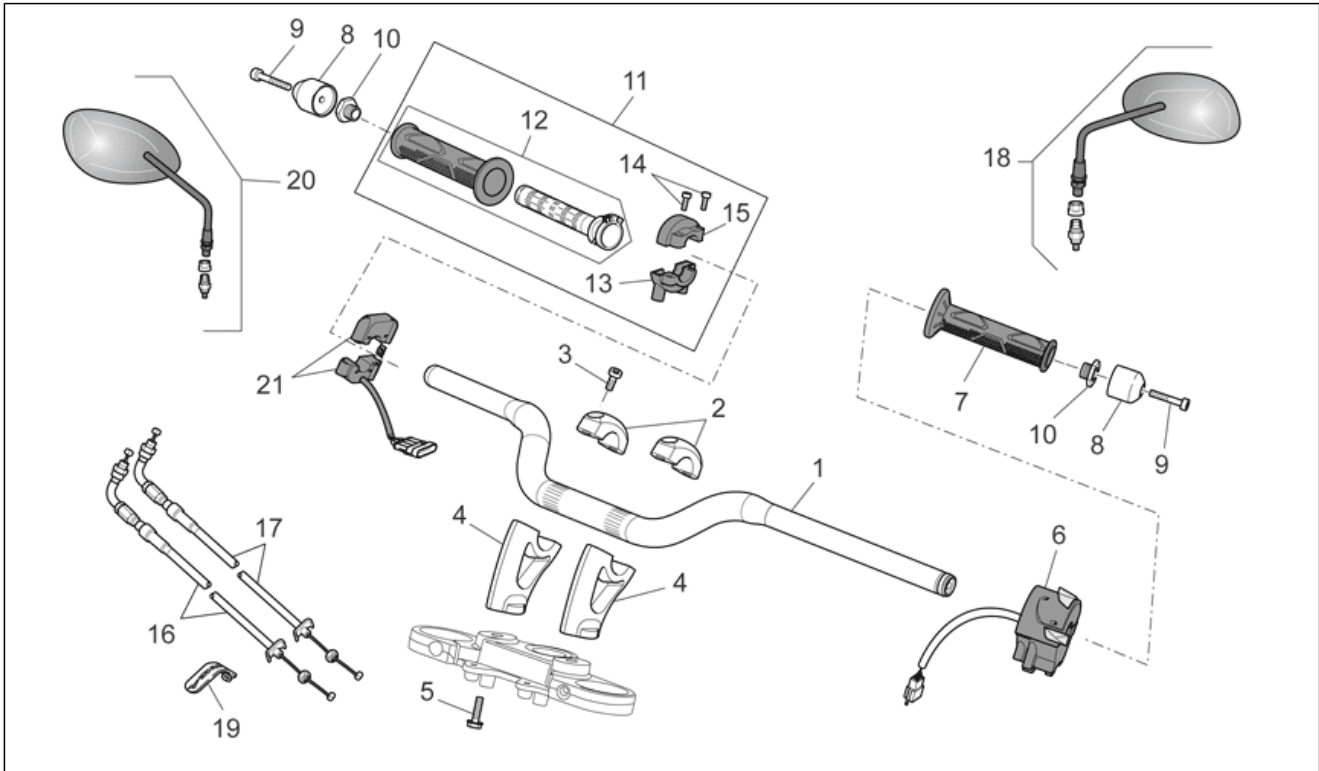
Pos.	Code	Description	Qty	Variants
1	883340	Dashboard complete	1	
2	GU06765100	Instrum.frame, chrom.	1	
3	AP8221242	Spec. self-tap screw 3,5x20	7	
4	GU06764000	Socket support	1	
5	GU98210616	Screw w/ flange M6x16 inox	4	
6	AP8121795	T bush	4	
7	GU93222023	Silent-block	2	
8	AP8220228	Rubber spacer *	2	
9	AP8150509	Self-tap screw 5x14	3	
10	883627	Lower dash.cover, chr.	1	Technical Specifications:Special Edition Version[SE]
10	GU06765200	Lower dash.cover, chr.	1	Technical Specifications:Standard Version[std]
11	AP8124936	Air temp. Sensor	1	
12	GU90274002	Washer for shafts	2	
13	GU06782500	Main switch - steering lock	1	
14	GU97260435	screw	2	
15	GU06765400	Speedometer sensor cpl.	1	
16	AP8152043	Hex socket screw M4x10	2	
17	GU06765500	Fairlead	1	
18	AP8121882	Cable-guide	1	
19	981160	***ANTITHEFT ANTENNA	0	

Group	FRAME
Code	33.20
Description	Handlebar - Controls
Service	1



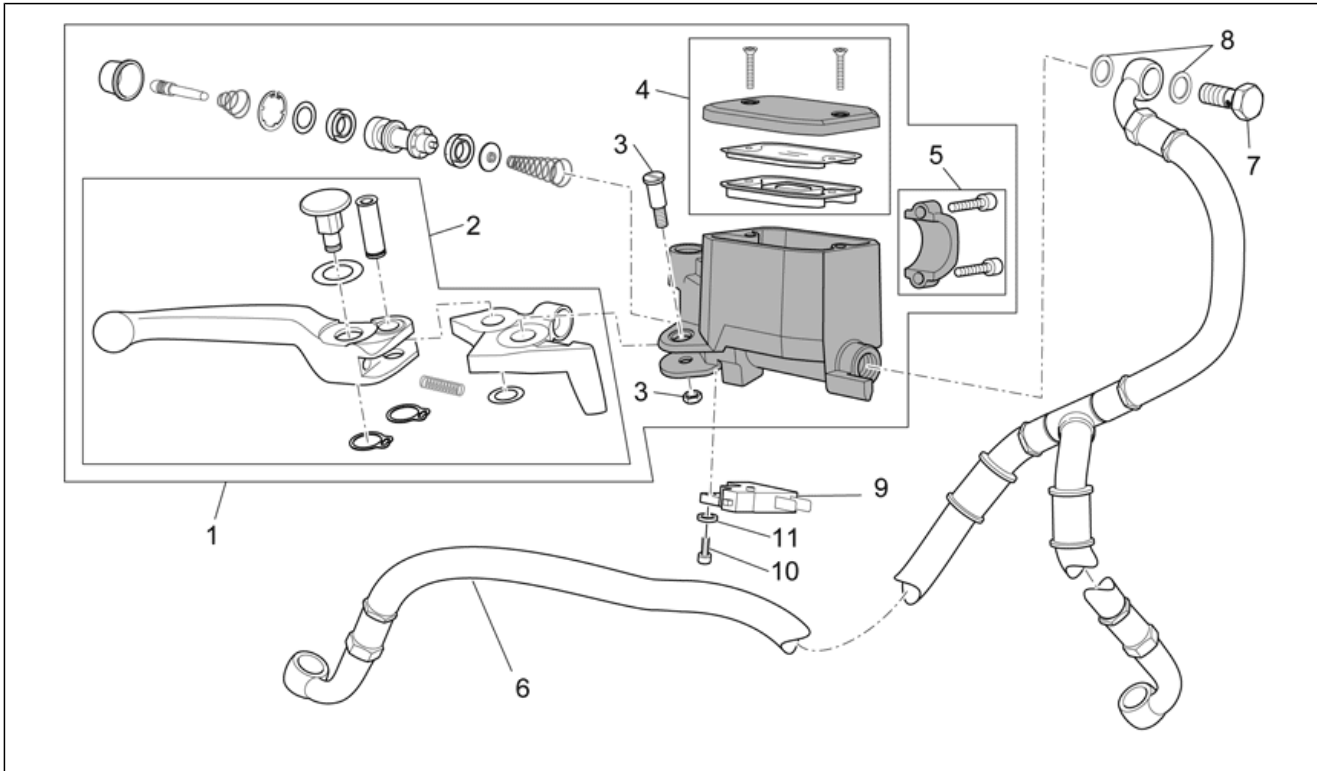
Pos.	Code	Description	Qty	Variants
1	978204	Handlebar	1	
2	GU06500600	Upper U-bolt	2	
3	GU98700430	Screw M8x30	4	
4	GU06500200	Lower U-bolt	2	
5	AP8152325	Screw w/ flange	2	
6	AP8127703	LH lights selector	1	
7	AP8118579	LH hand grip	1	
8	GU32602860	Anti.v weight, chr.	2	
9	GU98680340	Hex socket screw M6x40	2	
10	AP8121520	Anti vib.weight trailing	2	
11	GU05603331	Throttle cpl.	1	
12	GU01603480	RH hand grip	1	
13	AP8118502	Front gas lever U-bolt	1	
14	AP8118492	Cap screw	2	
15	AP8118503	Rear gas lever U-bolt	1	
16	978743	Gas trasmission delivery	1	
17	978744	Gas trasmission return	1	
18	883802	RH/LH rearview mirror	1	Year:2007[7], 2008[8], 2009[9] Vehicle colour:marcato "FU E11 81R-001047"[B] Technical Specifications:Standard Version[std]
18	978570	RH/LH rearview mirror	1	Year:2007[7], 2008[8], 2009[9] Vehicle colour:marked "FAR"[A] Technical Specifications:Standard Version[std]
18	AP8104922	LH rearview mirror	1	Technical Specifications:Special Edition Version[SE]
18	AP8104922	LH rearview mirror	1	Year:2010[A]
19	GU01609630	Hose clamp L46 mm	4	
19	GU03609600	Hose clamp L36 mm	1	
20	883802	RH/LH rearview mirror	1	Year:2007[7], 2008[8], 2009[9] Vehicle colour:marcato "FU E11 81R-001047"[B] Technical Specifications:Standard Version[std]

Group	FRAME
Code	33.20
Description	Handlebar - Controls
Service	1



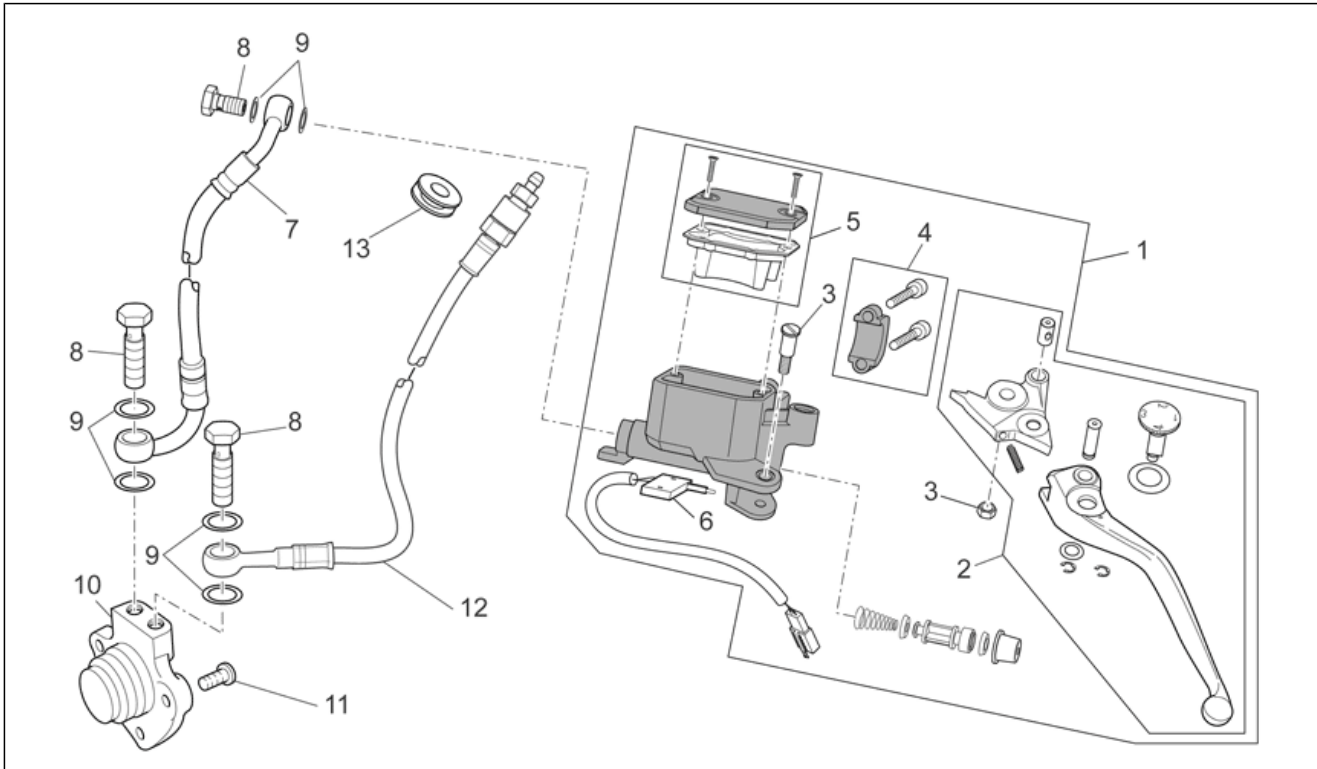
Pos.	Code	Description	Qty	Variants
20	978570	RH/LH rearview mirror	1	Year:2007[7], 2008[8], 2009[9] Vehicle colour:marked "FAR"[A] Technical Specifications:Standard Version[std]
20	AP8104921	RH rearview mirror	1	Technical Specifications:Special Edition Version[SE]
20	AP8104921	RH rearview mirror	1	Year:2010[A]
21	B045021	RH lights selector	1	

Group	FRAME
Code	33.21
Description	Front master cilinder
Service	1



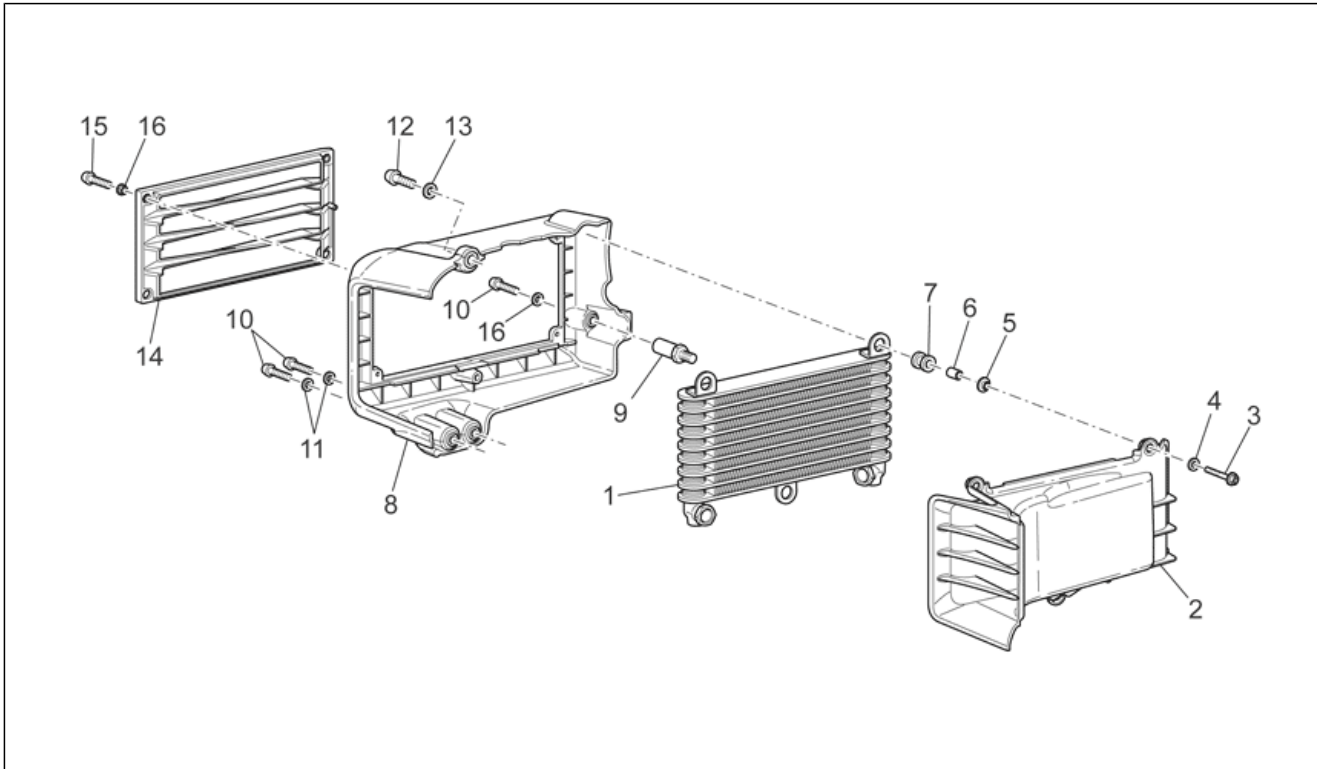
Pos.	Code	Description	Qty	Variants
1	978606	Front master cilinder	1	
2	854603	Front brake lever	1	Technical Specifications: First series[1A], Gold colour lever adjustment ring nut[GL]
2	981050	Front brake lever	1	Technical Specifications: Second series[2A], Silver colour lever adjustment ring nut[SL]
3	AP8113995	Lever pin	1	
4	GU05661130	Tank cap	1	
5	AP8113993	U-bolt	1	
6	978400	Front brake hose	1	
7	AP8133962	Oil pipe screw *	1	
8	GU25656100	Gasket	2	
9	GU03749845	Stop switch	1	
10	GU98370412	Hex socket screw M4x12	1	
11	GU95021104	Washer 4,3x8x1,5	1	

Group	FRAME
Code	33.22
Description	Clutch control complete
Service	1



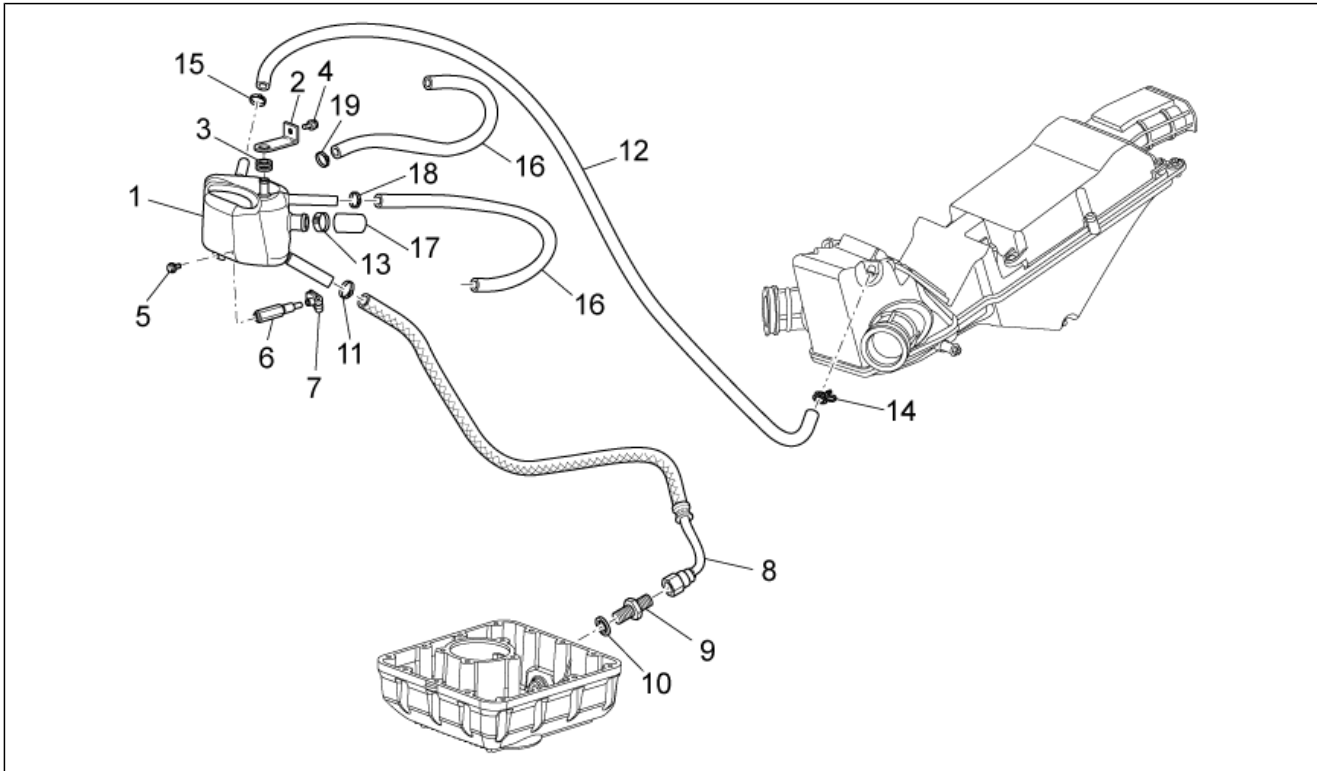
Pos.	Code	Description	Qty	Variants
1	978607	Clutch pump	1	Technical Specifications: Second series[2A], Silver colour lever adjustment ring nut[SL]
1	AP8106713	Clutch pump	1	Technical Specifications: First series[1A], Gold colour lever adjustment ring nut[GL]
2	981046	Clutch lever	1	Technical Specifications: Second series[2A], Silver colour lever adjustment ring nut[SL]
2	AP8118659	Clutch lever	1	Technical Specifications: First series[1A], Gold colour lever adjustment ring nut[GL]
3	GU03604845	Lever pin	1	
4	AP8113993	U-bolt	1	
5	AP8113997	Tank cap	1	
6	AP8113998	Microswitch	1	
7	GU06606500	Clutch pipe	1	
8	AP8133594	Oil pipe screw	3	
9	AP8113004	Washer 10x14x1,6*	6	
10	978739	Clutch command cylinder	1	
11	AP8152278	Screw w/ flange M6x16	3	
12	GU05606630	Float chambe clutch pipe	1	
13	AP8120594	Rubber spacer	1	

Group	FRAME
Code	33.23
Description	Oil radiator
Service	1



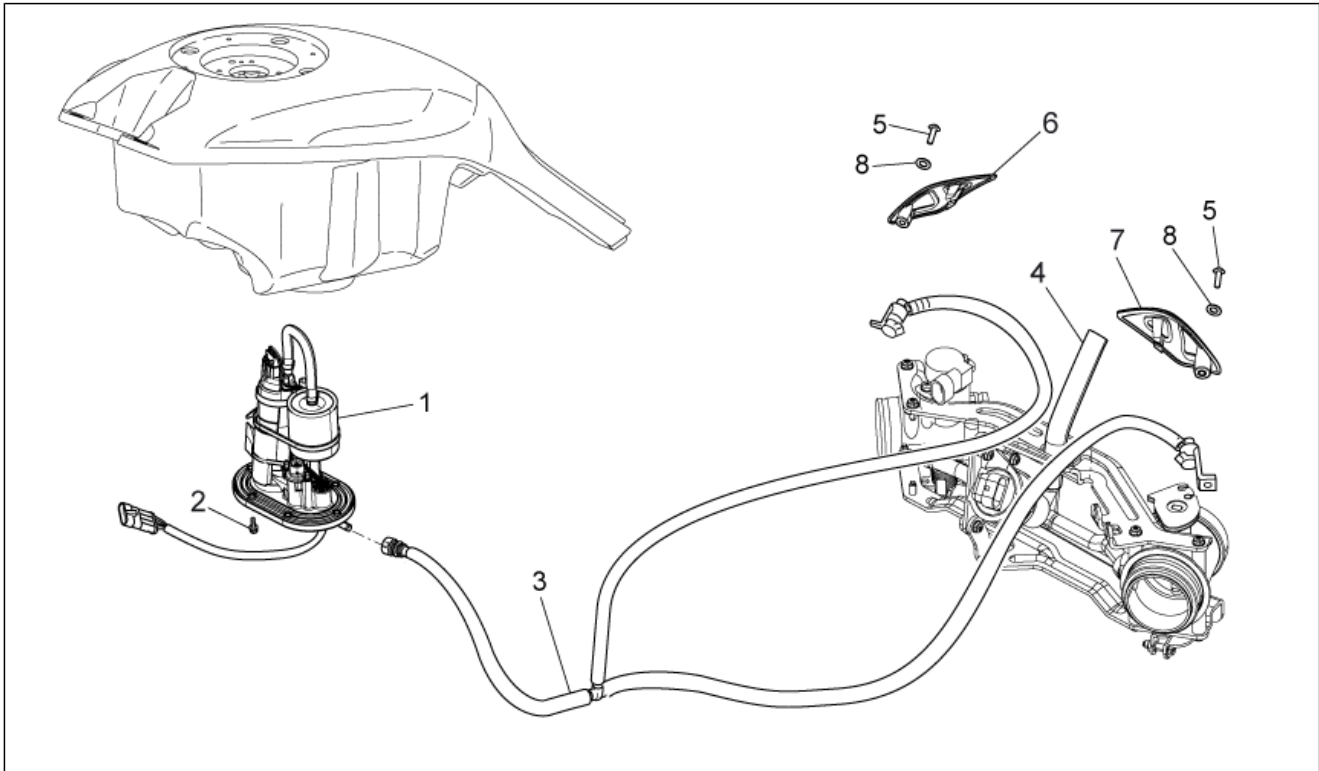
Pos.	Code	Description	Qty	Variants
1	GU06162000	Oil cooler cpl.	1	
2	GU06583200	Air deflector	1	
3	AP8152281	Screw w/ flange M6x30	3	
4	GU95005306	Washer 6,4x13x1,5	3	
5	AP8121032	Bush	3	
6	GU91180711	Spacer 7x10x11	3	
7	AP8120030	Rubber spacer	3	
8	GU06583000	Cover	1	
9	GU06583600	Spacer	1	
10	GU98690440	screw	3	
11	GU14615901	Washer 8,4X13X0,8	3	
12	GU98690540	Screw M10x30	1	
13	GU19149800	Washer 10,5x16x1	1	
14	GU06582600	Water cooler grille	1	
15	GU98230512	Hex socket screw	4	
16	AP8121811	T bush	4	

Group	FRAME
Code	33.24
Description	Blow-by system
Service	1



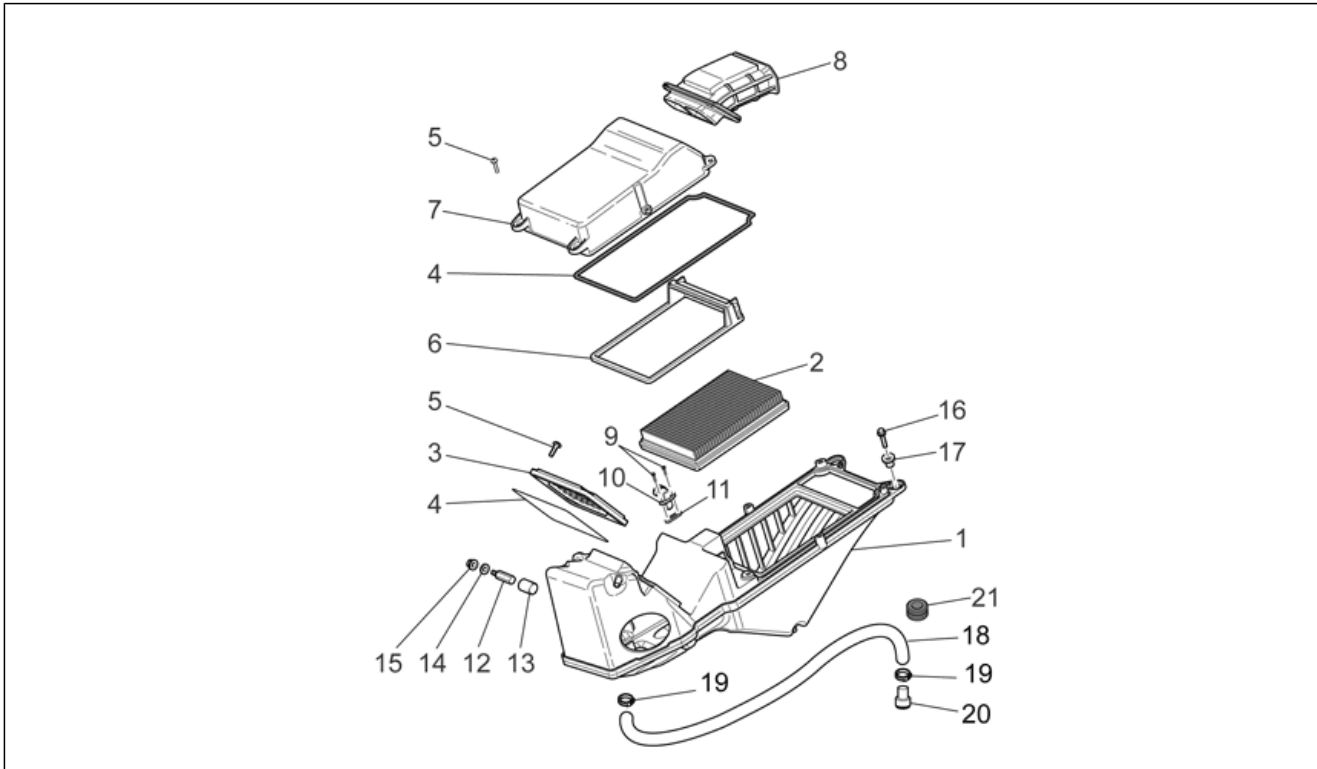
Pos.	Code	Description	Qty	Variants
1	978767	Housing	1	
2	GU06412300	Plate	1	
3	AP8120030	Rubber spacer	1	
4	AP8152278	Screw w/ flange M6x16	1	
5	AP8152277	Screw w/ flange M6x12	1	
6	GU06164630	Spacer	1	
7	GU28576591	Clip M6	1	
8	GU06159300	Pipe	1	
9	GU01161331	Reduction	1	
10	GU01154230	Gasket	1	
11	AP8102765	White hose clip D.13,5x6	1	
12	GU00823955080	Breather pipe	1	
13	GU93306018	Hose clamp 17X29X8	1	
14	AP8102520	Hose clamp	1	
15	AP8102764	White hose clip d.13x6	1	
16	978765	Breather pipe	2	
17	978781	Cap	1	
18	GU93306017	Hose clamp	1	
19	AP8101586	Hose clip D.15,5x6,6	1	

Group	FRAME
Code	33.25
Description	Fuel supply
Service	1



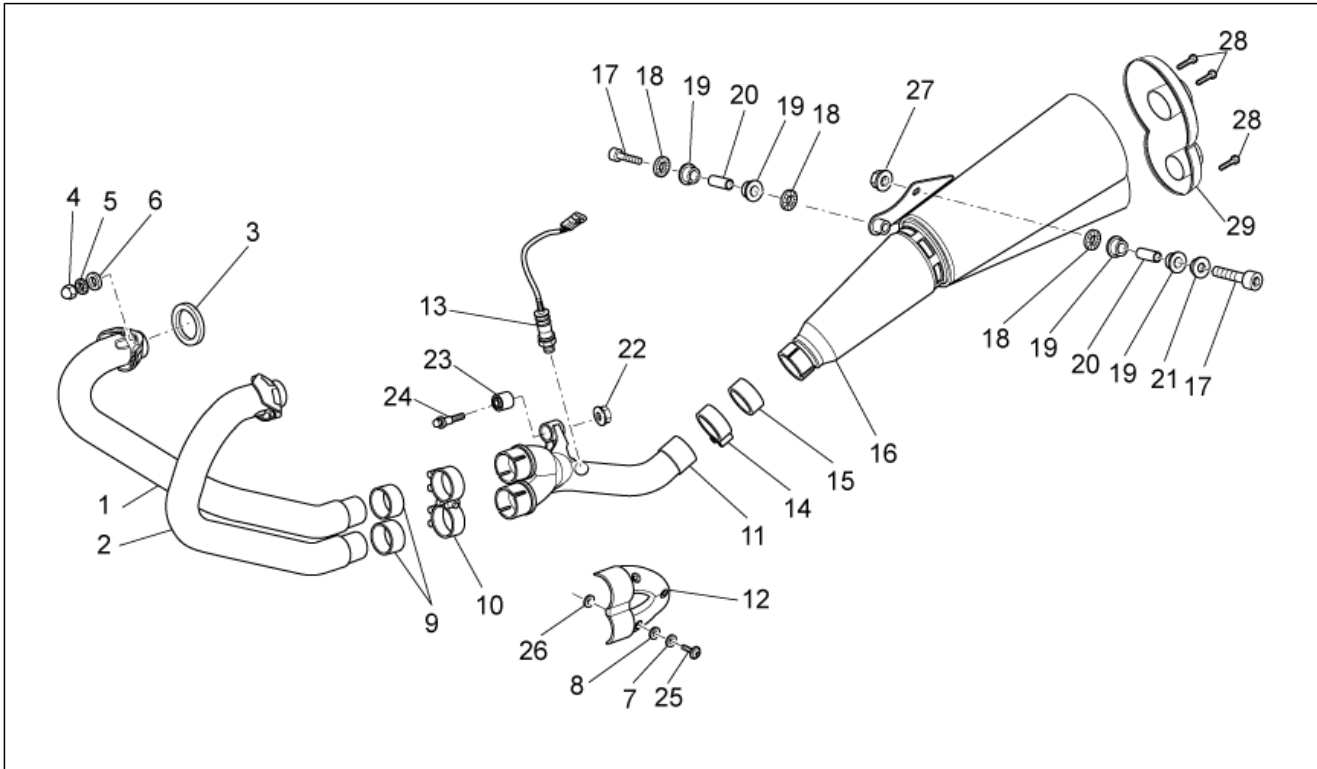
Pos.	Code	Description	Qty	Variants
1	887423	Fuel pump	1	Country:Other country[EU]
1	887771	Fuel pump	1	Country:United States of America[USA]
2	AP8152273	Screw w/ flange M5x16	6	
3	978745	Fuel pipe, cpl.	1	
4	GU05135930	pipe	1	
5	GU98680222	Hex socket screw	2	
6	883092	RH protection	1	
7	883093	LH protection	1	
8	GU95008205	Washer 5,3x10x0,8	1	

Group	FRAME
Code	33.26
Description	Air box
Service	1



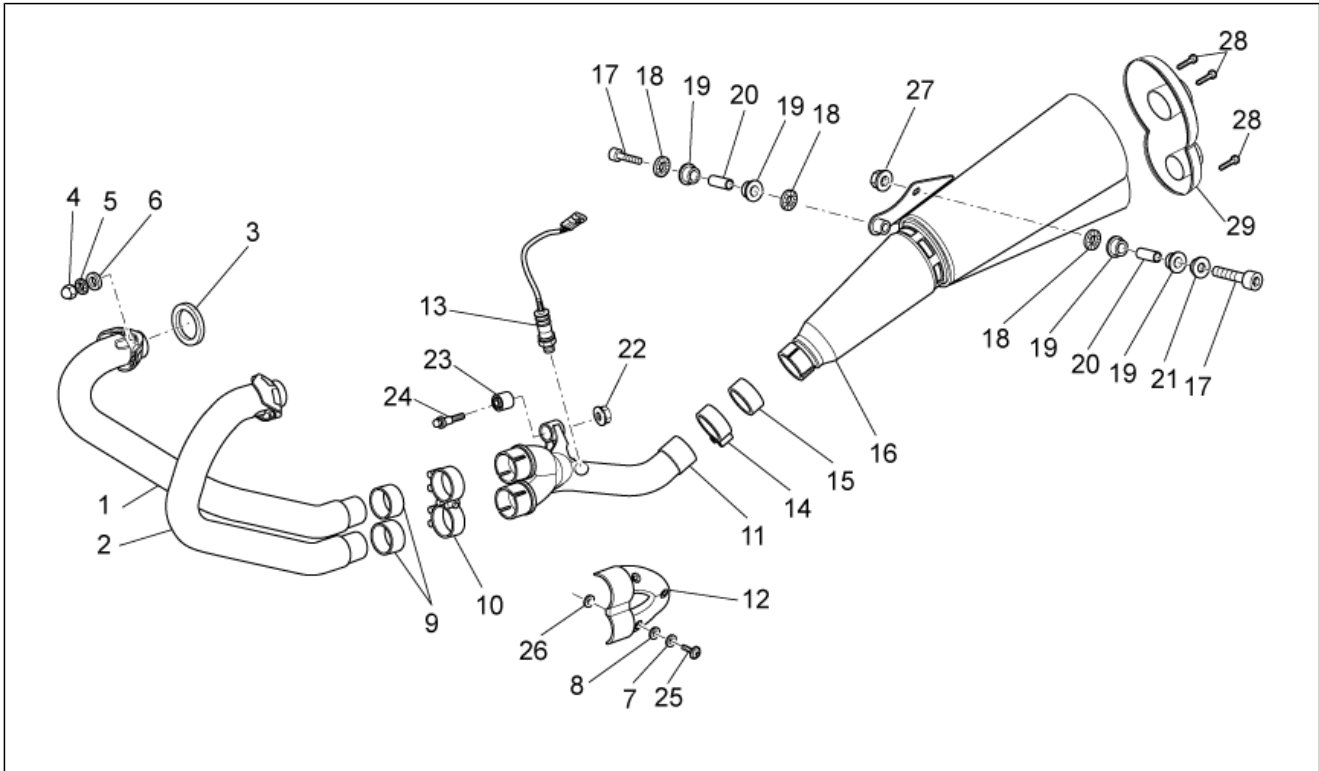
Pos.	Code	Description	Qty	Variants
1	GU06114000	Air box	1	
2	AP8104329	Air filter	1	
3	GU06113300	Inspection cover	1	
4	AP8120593	Gasket D4	1	
5	AP8152329	Phillips screw, SWP M5x20	10	
6	GU06114200	Protection	1	
7	GU06113700	Cover	1	
8	AP8144164	Intake hose	1	
9	AP8150421	Self-tap screw 2,9x12	2	
10	GU30729330	Air temp. Sensor	1	
11	GU30027931	Gasket	1	
12	AP8221270	Filter housing support spindle	2	
13	AP8220526	Rubber spacer	2	
14	GU03013800	Washer 6,4x12	2	
15	GU92787006	Cap nut M6x1	2	
16	AP8152279	Screw w/ flange M6x20	2	
17	AP8221023	T bush	2	
18	AP8144038	Fuel pipe 6x10	2	
19	AP8101595	Hose clamp D10,1	4	
20	AP8120876	Plug	2	
21	AP8120030	Rubber spacer	2	

Group	FRAME
Code	33.27
Description	Exhaust unit
Service	1



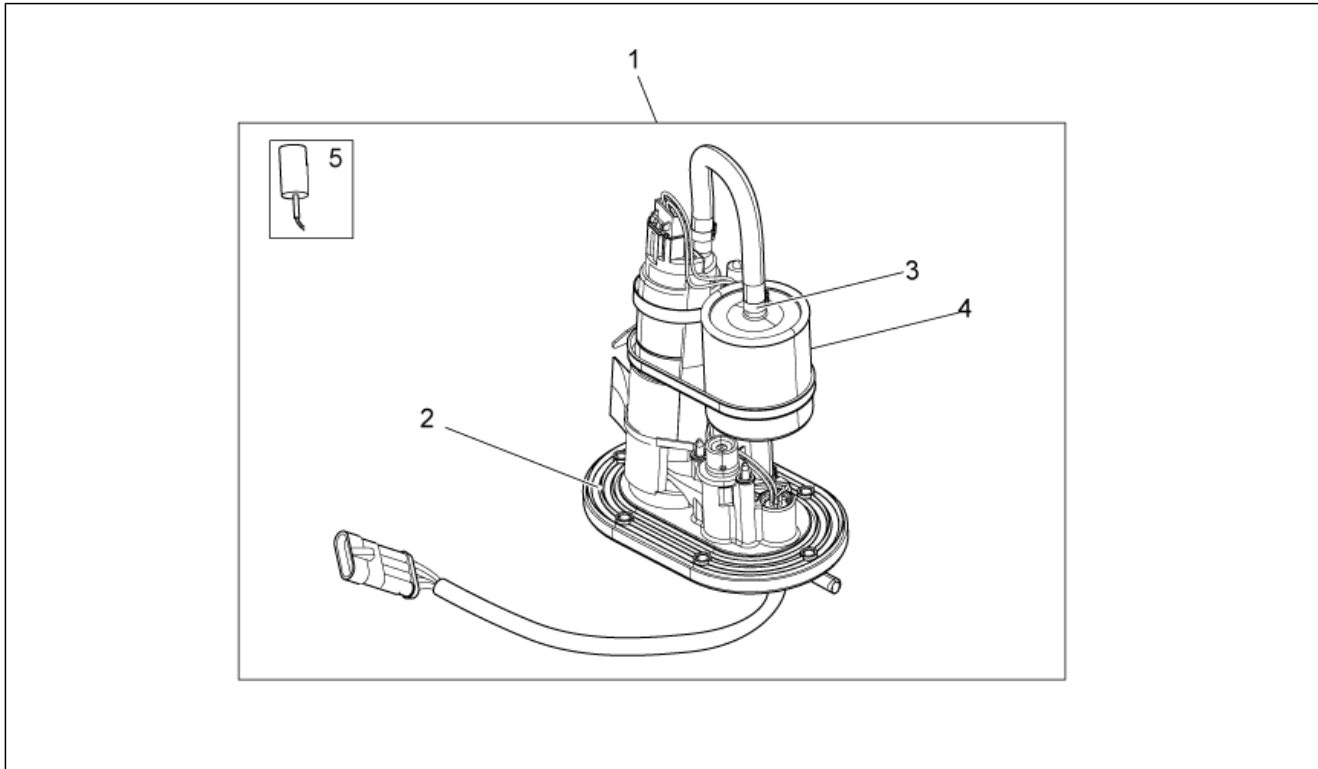
Pos.	Code	Description	Qty	Variants
1	883874	RH exhaust pipe	1	Country:Japan[J]
1	978396	RH exhaust pipe	1	Country:Other country[EU]
2	883875	LH exhaust pipe	1	Year:2010[A] Country:Japan[J]
2	978397	LH exhaust pipe	1	Year:2007[7], 2008[8], 2009[9]
3	976376	Gasket	2	
4	GU92787008	Cap nut M8x1,25	4	
5	GU14615901	Washer 8,4X13X0,8	4	
6	GU95005308	Washer 8,4x14,57x1,6	4	
7	GU03013800	Washer 6,4x12	3	
8	GU91120620	Spacer	3	
9	GU06123500	Gasket	2	
10	GU06123401	Hose clamp	1	
11	978885	Central exhaust pipe	1	Technical Specifications:Special Edition Version[SE]
11	GU06124800	Central exhaust pipe	1	Technical Specifications:Standard Version[std]
12	GU06121900	Heat protection	1	
13	GU32727010	Lamda sensor	1	
14	GU06126900	Hose clamp	1	
15	GU05128230	Gasket	1	
16	883909	Silencer	1	Year:2010[A] Country:Japan[J]
16	978242	Silencer	1	Year:2007[7], 2008[8], 2009[9]
17	GU98680445	Hex socket screw	2	
18	GU95005312	Washer 8,5x24x2	3	
19	AP8144071	Rubber exhaust	4	
20	AP8121773	Spacer *	2	
21	AP8134378	Silencer fixing bush	1	
22	AP8152301	Self-locking nut	1	

Group	FRAME
Code	33.27
Description	Exhaust unit
Service	1



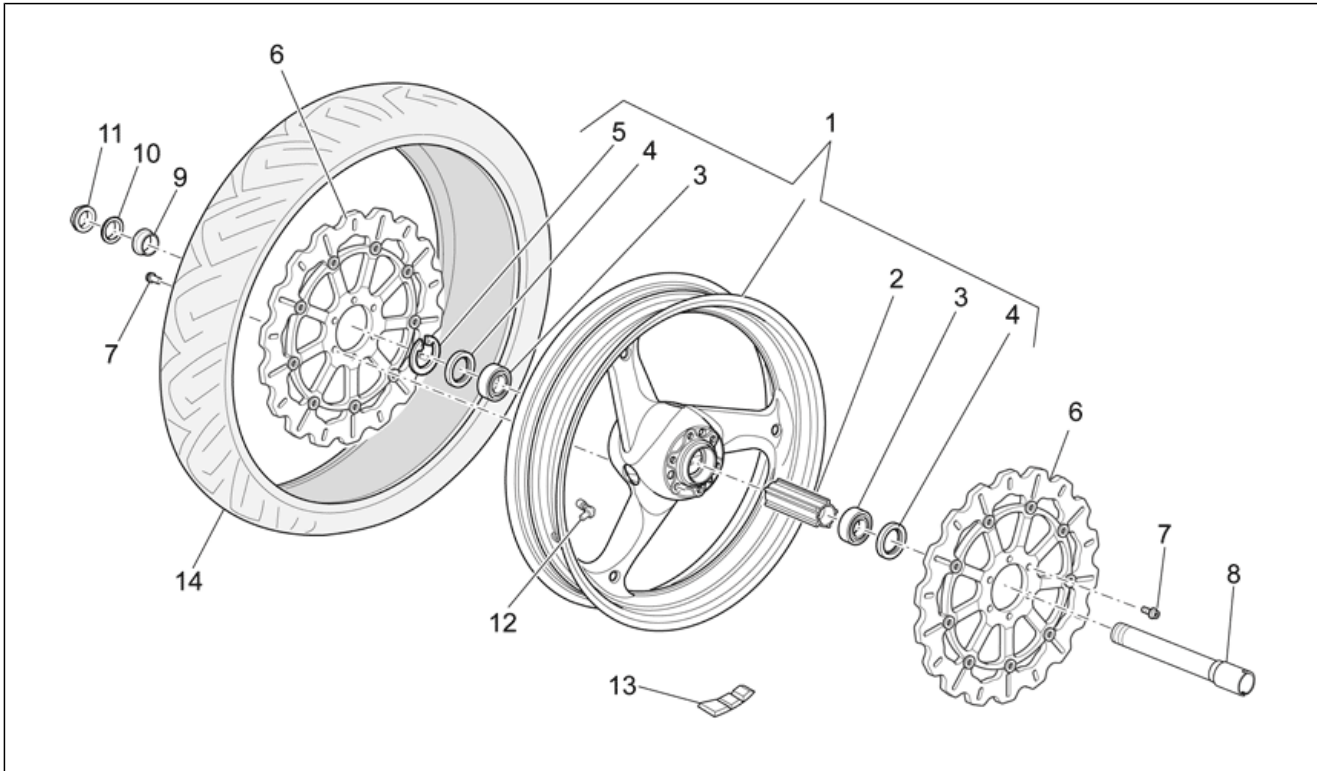
Pos.	Code	Description	Qty	Variants
23	AP8220346	Silent-block	1	
24	AP8152410	Screw w/ flange M10x55	1	
25	GU98370609	Hex socket screw M6x10	3	
26	AP8121513	Washer 5,5X20X1	3	
27	GU92650138	Nut M8x1,25	1	
28	981143	Sec. screw	3	
29	981142	Bottom	1	

Group	FRAME
Code	33.28
Description	Internal fuel pump
Service	1



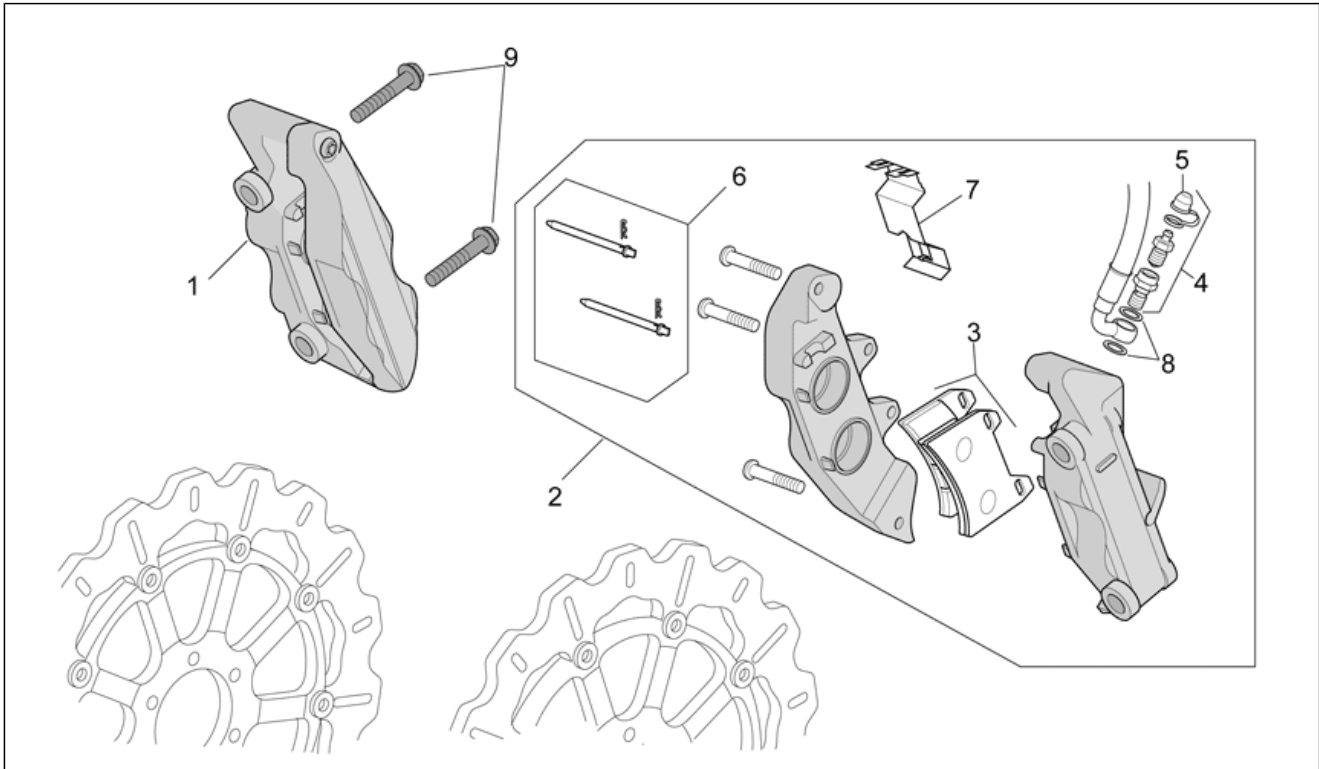
Pos.	Code	Description	Qty	Variants
1	887423	Fuel pump	1	Country:Other country[EU]
1	887771	Fuel pump	1	Country:United States of America[USA]
2	GU05107430	Gasket	1	
3	GU01108490	Hose clamp 11,3	4	
4	GU01106090	Fuel filter	1	
5	883851	Thermistor	1	

Group	FRAME
Code	33.29
Description	SE Front wheel
Service	1



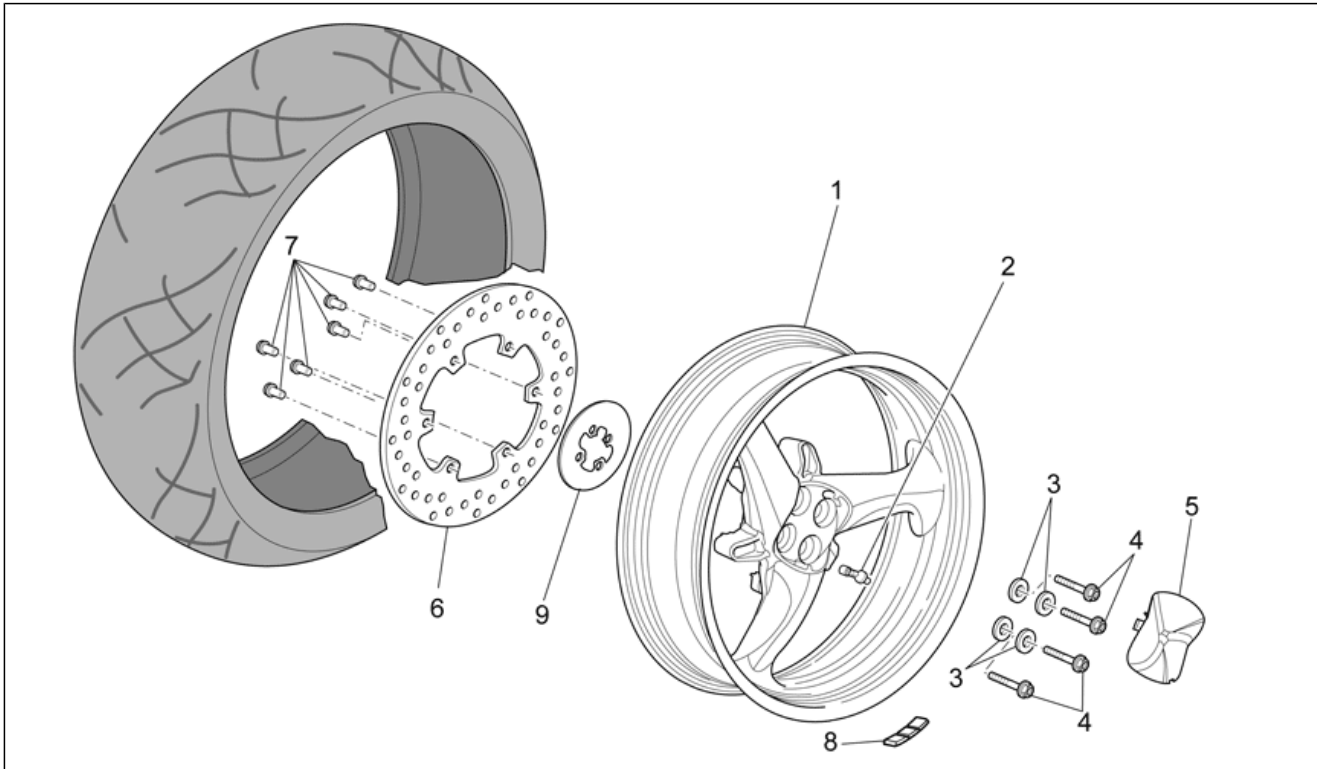
Pos.	Code	Description	Qty	Variants
1	883883	Front wheel, dark grey 3,5X17"	1	Technical Specifications: Standard Version[std], Marchiato ZCV[ZCV]
1	GU05610530	Front wheel, dark grey 3,5x17"	1	Technical Specifications: Marchio Brembo[BRE], Standard Version[std]
2	GU05615230	Spacer	1	Technical Specifications: Standard Version[std]
3	AP8125777	Ball bearing 25x47x12	2	Technical Specifications: Standard Version[std]
4	AP8125773	Gasket ring 30x47x7	2	Technical Specifications: Standard Version[std]
5	AP8125779	Circlip	1	Technical Specifications: Standard Version[std]
6	856774	Front brake disc	2	Technical Specifications: Standard Version[std]
7	AP8152286	Screw w/ flange M8x20	12	Technical Specifications: Standard Version[std]
8	GU05614130	Front wheel spindle	1	Technical Specifications: Standard Version[std]
9	GU06616300	Spacer	1	Technical Specifications: Standard Version[std]
10	GU95005325	Washer 25,2X36X1	1	Technical Specifications: Standard Version[std]
11	GU01612190	Nut	1	Technical Specifications: Standard Version[std]
12	GU03617710	Tubeless tyre valve	1	Technical Specifications: Standard Version[std]
13	GU14616150	Counterweight	1	Technical Specifications: Standard Version[std]
14	0000000	Tyre	0	

Group	FRAME
Code	33.30
Description	Front brake caliper
Service	1



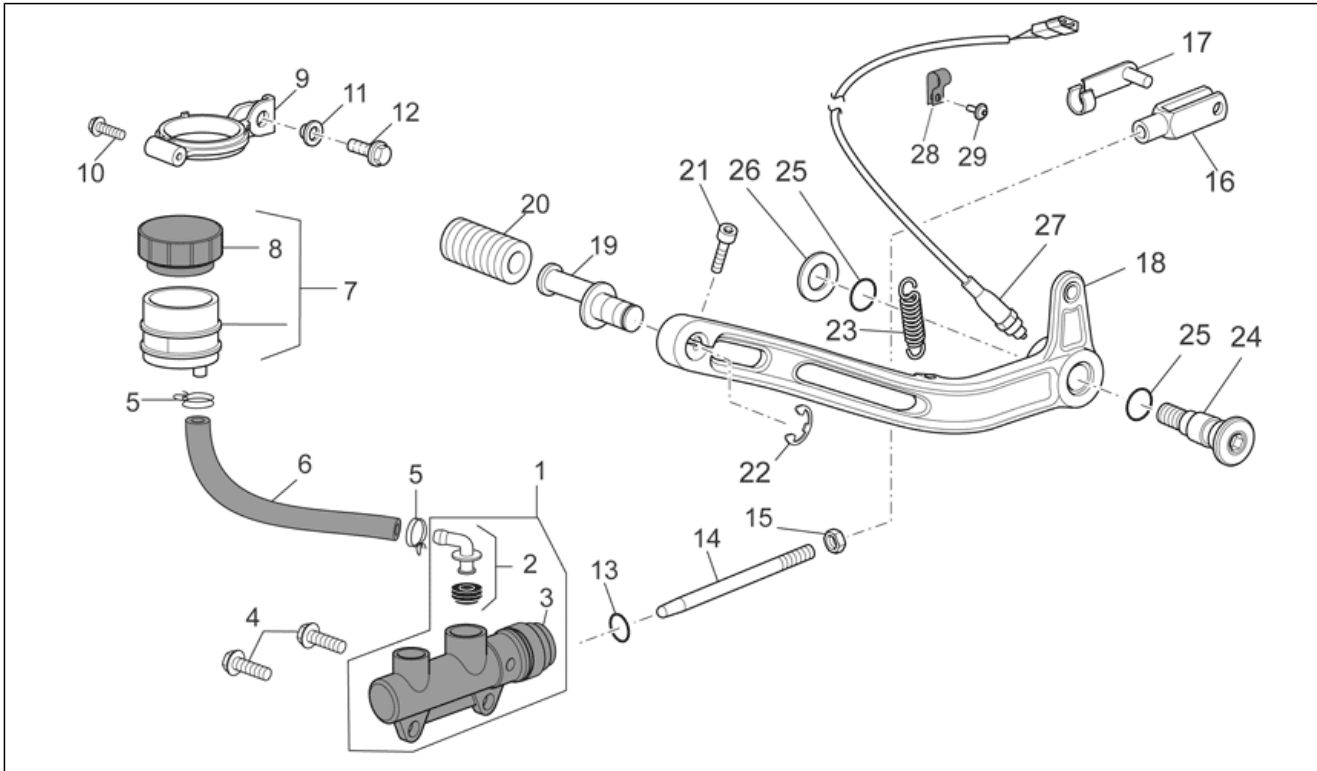
Pos.	Code	Description	Qty	Variants
1	978464	RH front brake caliper, black P432	1	
2	978465	LH front brake caliper, black P432	1	
3	GU01654630	Pads pair	2	
4	978466	Air bleed valve	2	
5	AP8113070	Bleed valve cap	1	
6	GU01659130	Pins+Caliper springs	2	
7	GU01659131	Spring	2	
8	GU25656100	Gasket	4	
9	AP8152414	Screw w/ flange M10x55	4	

Group	FRAME
Code	33.31
Description	Std Rear wheel
Service	1



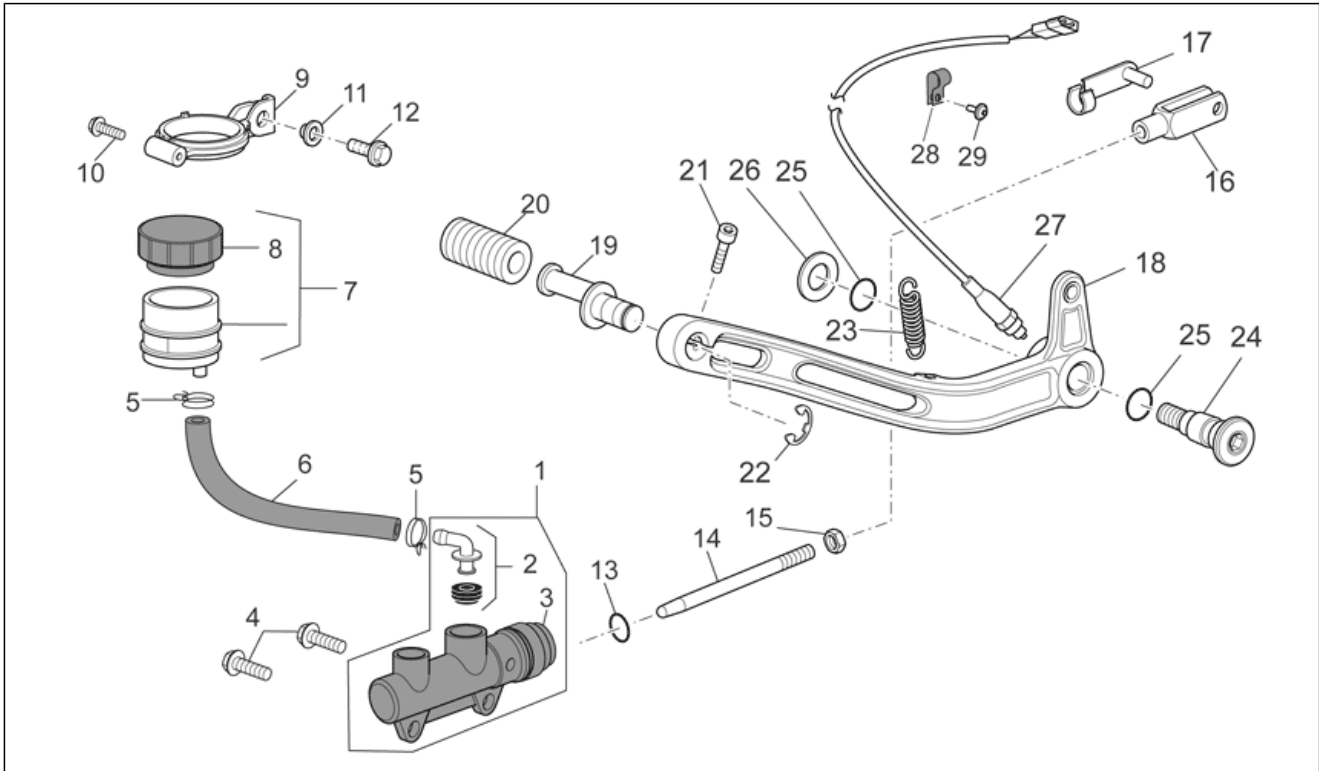
Pos.	Code	Description	Qty	Variants
1	883886	Rear wheel, grey 5,5X17"	1	Technical Specifications: Marchiato ZCV[ZCV]
1	GU05630531	Rear wheel, grey 5,5x17"	1	Technical Specifications: Marchio Brembo[BRE]
2	GU03617710	Tubeless tyre valve	1	Technical Specifications: Standard Version[std]
3	GU05632730	Conical bush	4	Technical Specifications: Standard Version[std]
4	GU97202665	Screw w/ flange M12x65	4	Technical Specifications: Standard Version[std]
5	GU05634430	Cover	1	Technical Specifications: Standard Version[std]
6	GU05635730	Rear brake disc	1	Technical Specifications: Standard Version[std]
7	GU30611460	screw	6	Technical Specifications: Standard Version[std]
8	GU14616150	Counterweight	1	Technical Specifications: Standard Version[std]
9	977056	Dust cover ring	1	Technical Specifications: Standard Version[std]

Group	FRAME
Code	33.32
Description	Rear master cylinder
Service	1



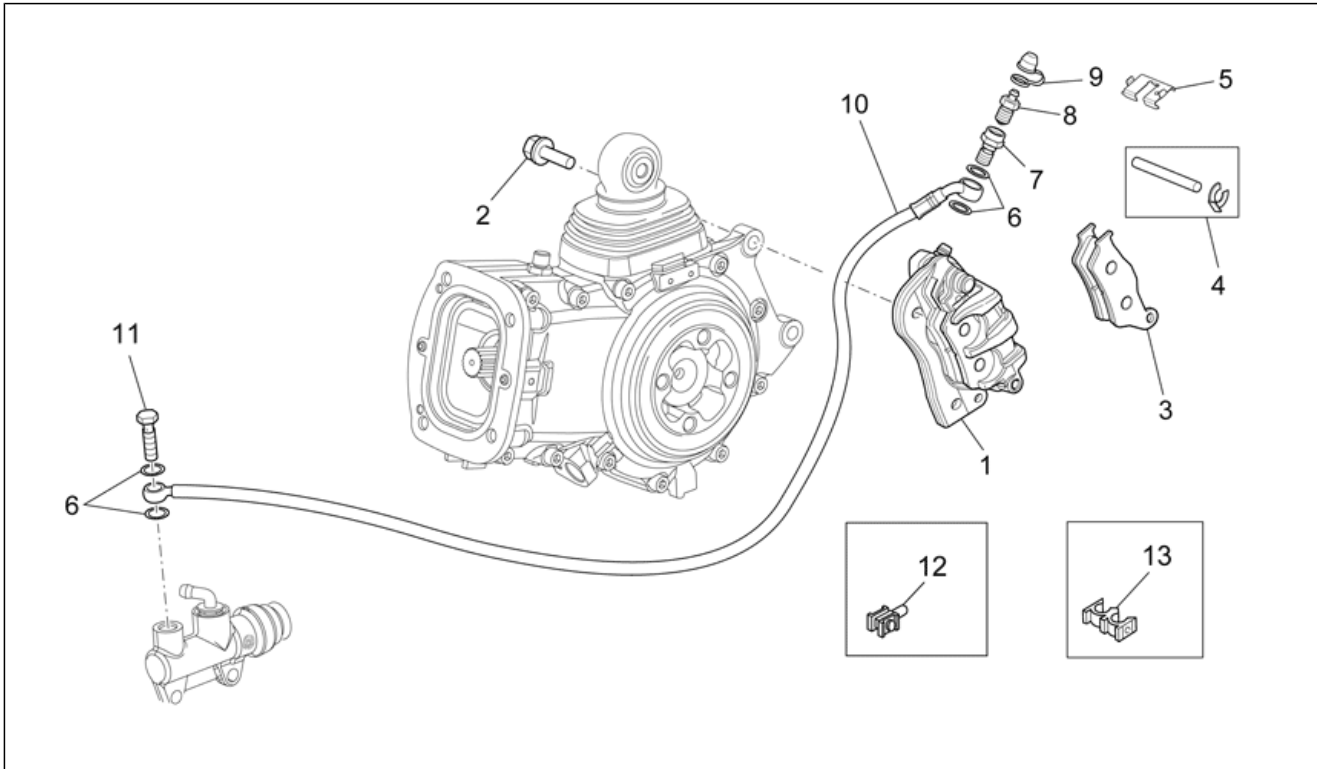
Pos.	Code	Description	Qty	Variants
1	978434	Rear master cylinder	1	
2	GU19659500	Pump connection overhaul unit	1	
3	AP8113288	Rubber bellows	1	
4	AP8152279	Screw w/ flange M6x20	2	
5	AP8101595	Hose clamp D10,1	2	
6	GU00823950050	Oil pipe	1	
7	GU05663530	Brake oil tank complete	1	
8	GU17661052	Tank cap	1	
9	GU05666030	Tank support	1	
10	AP8152329	Phillips screw, SWP M5x20	1	
11	AP8221145	T bush *	1	
12	AP8152278	Screw w/ flange M6x16	1	
13	AP8120178	O-ring OR112	1	
14	977041	Master cylinder rod	1	
15	GU92606206	Nut	1	
16	AP8113081	Fork	1	
17	AP8113082	Gear selector fork clips	1	
18	GU06677000	Rear brake lever	1	
19	AP8121221	Brake lever pin	1	
20	AP8120912	Lever rubber	1	
21	GU98682316	Hex socket screw M6x16	1	
22	AP8150462	Circlip d9	1	
23	AP8121927	Rear brake lever spring	1	
24	884033	Rear brake lever pin	1	
25	AP8144007	O-ring 11,11x1,78	2	
26	GU95008310	Washer 10,5x22x2,5	1	
27	AP8112996	clutch switch	1	
28	AP8101890	Black hose D8	3	

Group	FRAME
Code	33.32
Description	Rear master cylinder
Service	1



Pos.	Code	Description	Qty	Variants
29	GU98350210	Hex socket screw	3	

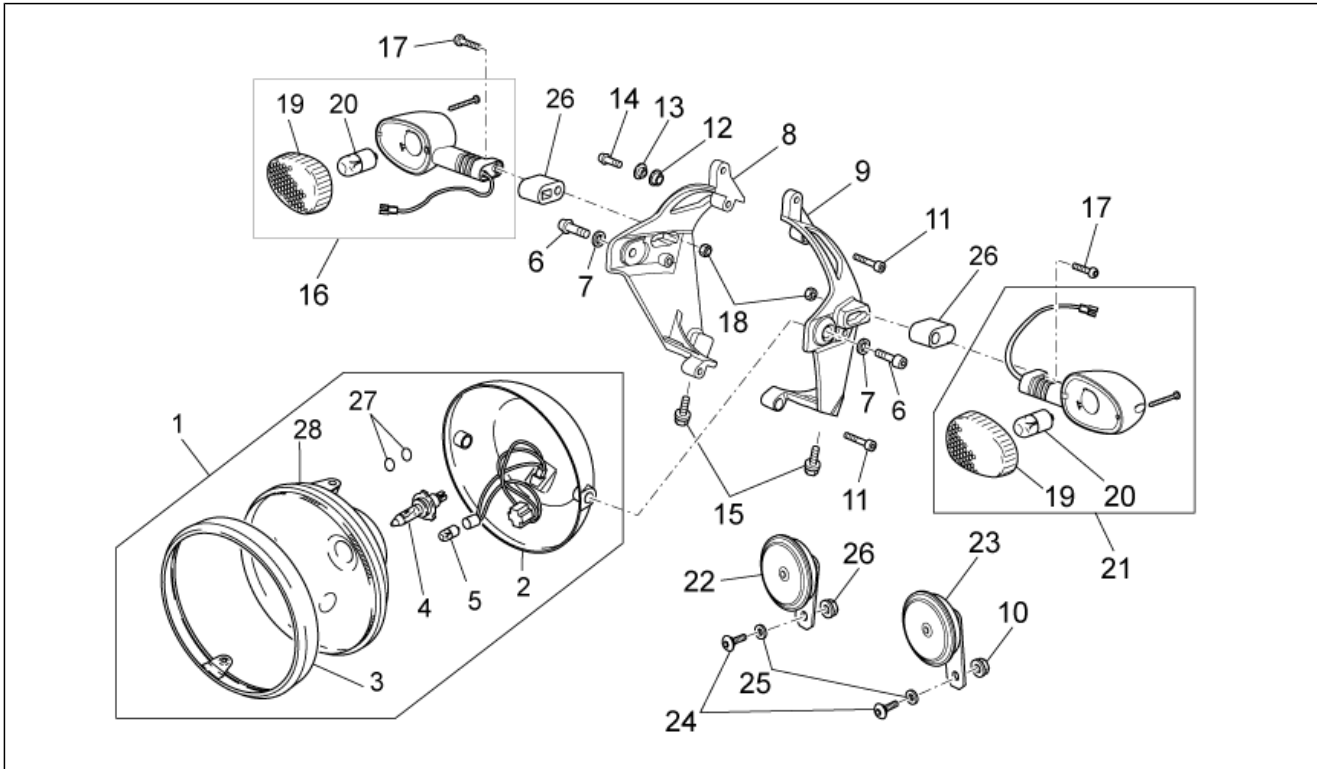
Group	FRAME
Code	33.33
Description	Rear brake caliper
Service	1



Pos.	Code	Description	Qty	Variants
1	978414	Rear brake caliper, black	1	
2	AP8152320	Screw w/ flange	2	
3	GU05654630	Pads pair	1	
4	GU05659130	Pin+split pin	1	
5	GU05659030	Spring	1	
6	AP8113004	Washer 10x14x1,6*	4	
7	AP8133597	screw	1	
8	AP8133595	Air bleed valve	1	
9	AP8113070	Bleed valve cap	1	
10	978364	Rear brake hose	1	
11	AP8133962	Oil pipe screw *	1	
12	AP8202238	Cable-guide hook	4	
13	AP8201808	Cable-guide D8	5	

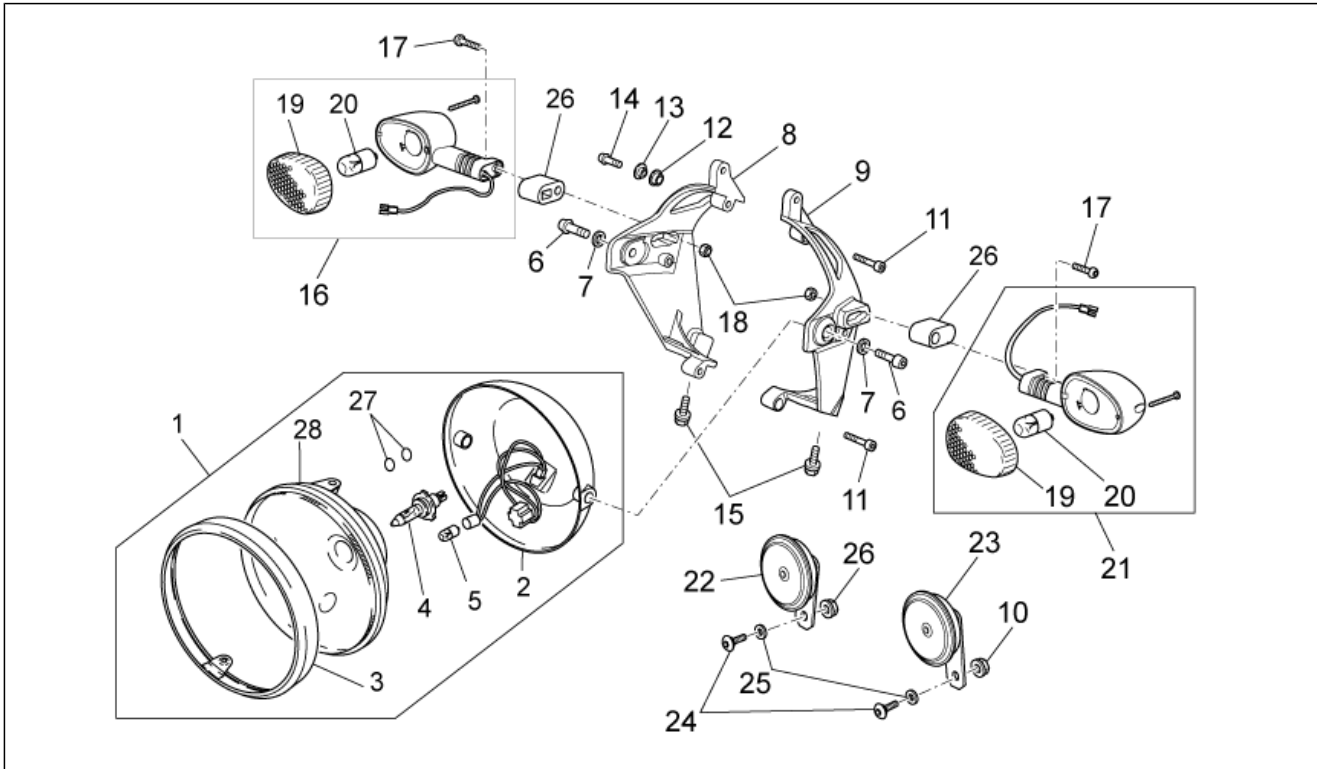


Group	FRAME
Code	33.34
Description	Headlight/Horn
Service	1



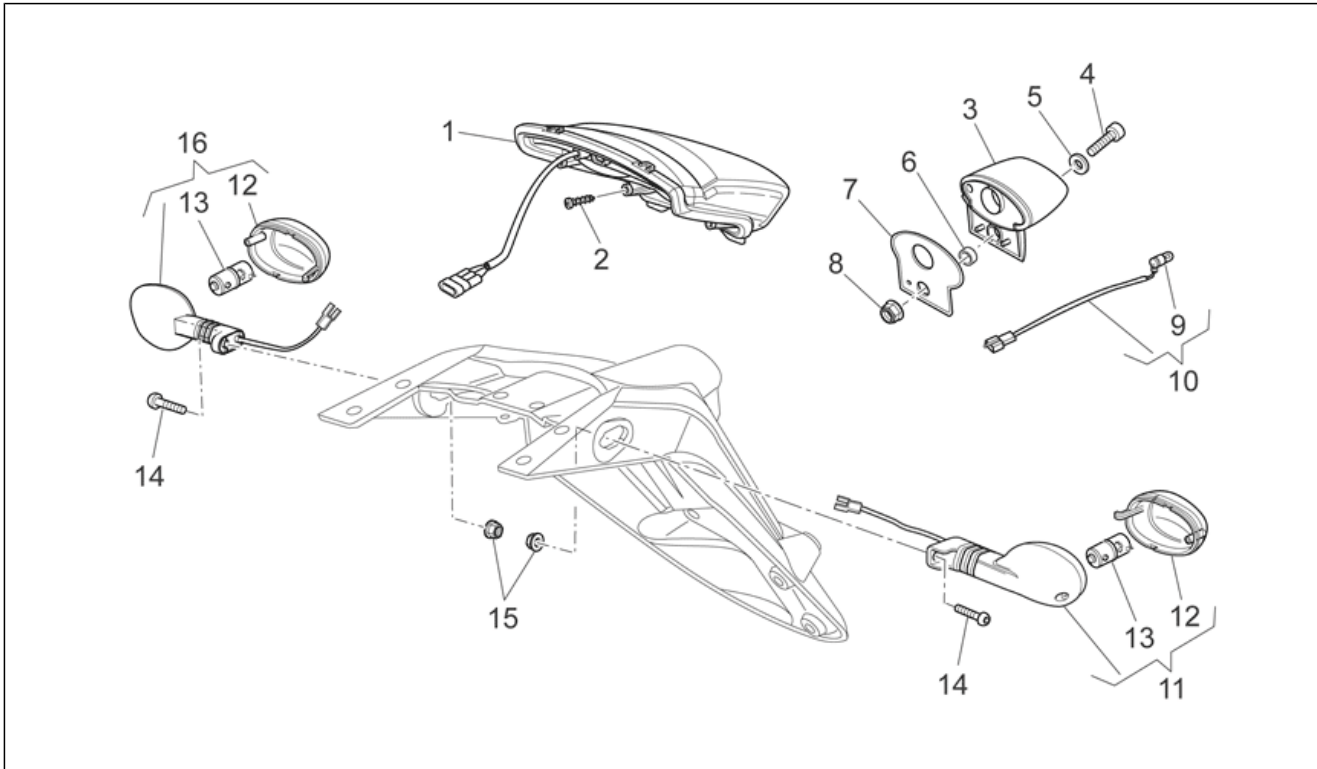
Pos.	Code	Description	Qty	Variants
1	978311	Headlight	1	Country: Other country[EU] Technical Specifications: Special Edition Version[SE]
1	978662	Cpl headlightsteering headligh	1	Country: Australia[AUS], India[IND], Malaysia[MAL], Filippine[PI], Great Britain[UK] Technical Specifications: Special Edition Version[SE]
1	GU06740500	Headlight	1	Country: Canadian[CA], Other country[EU], United States of America[USA] Technical Specifications: Standard Version[std]
1	GU06740500	Headlight	1	Year: 2010[A] Country: Australia[AUS], Japan[J], Great Britain[UK] Technical Specifications: Standard Version[std]
1	GU06740501	Cpl headlightsteering headligh	1	Year: 2007[7], 2008[8], 2009[9] Country: Australia[AUS], Japan[J], Great Britain[UK] Technical Specifications: Standard Version[std]
2	981149	Cap, black	1	Country: Other country[EU] Technical Specifications: Special Edition Version[SE]
2	GU06740200	Headlight cap, chr.	1	Technical Specifications: Standard Version[std]
2	GU06740200	Headlight cap, chr.	1	Country: Great Britain[UK] Technical Specifications: Special Edition Version[SE]
3	640598	Chromed ring nut	1	
4	292723	Lamp H4 60/55W 12V	1	
5	292022	Lamp 12V-5W	1	
6	GU98700430	Screw M8x30	2	
7	GU14615901	Washer 8,4X13X0,8	2	
8	GU06496100	RH support	1	
9	GU06496200	LH support	1	
10	GU92650138	Nut M8x1,25	2	
11	GU98610335	Hex socket screw	2	
12	AP8221023	T bush	1	
13	AP8120675	Rubber spacer *	1	
14	GU98230619	Hex socket screw	1	

Group	FRAME
Code	33.34
Description	Headlight/Horn
Service	1



Pos.	Code	Description	Qty	Variants
15	AP8152287	Screw w/ flange M8x25	2	
16	GU06750600	RH front/LH rear turn indic.	1	
17	GU98690335	Hex socket screw	2	
18	GU92787006	Cap nut M6x1	2	
19	GU06753700	Turn indicator lens	2	
20	GU93450127	Lamp	2	
21	GU06751601	LH front/RH rear turn indic.	1	
22	883463	Electric hom L	1	
22	GU01743791	Electric hom L	1	
23	883462	Electric hom H	1	
23	GU01743790	Electric hom H	1	
24	GU98350416	Hex socket screw M8x16	2	
25	GU95021108	Spring washer	2	
26	GU01753440	Spacer, black	2	Country:Canadian[CA], United States of America[USA] Technical Specifications:Standard Version[std]
27	883417	O-ring	2	
28	GU06740400	Light assembly	1	

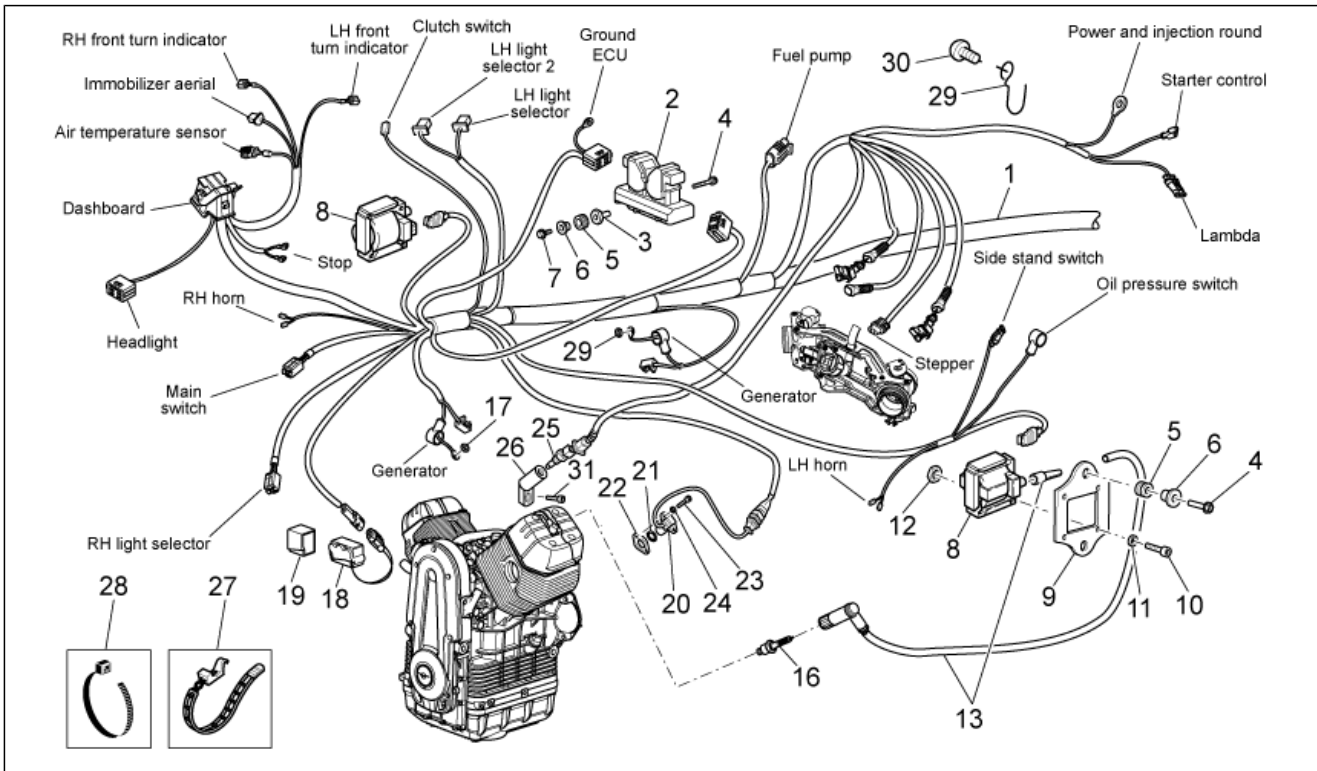
Group	FRAME
Code	33.35
Description	Taillight
Service	1



Pos.	Code	Description	Qty	Variants
1	GU06740900	Taillight	1	
2	AP8150509	Self-tap screw 5x14	4	
3	AP8127098	Number-plate light	1	
4	GU98680222	Hex socket screw	1	
5	GU95008205	Washer 5,3x10x0,8	1	
6	GU91120507	Bush	1	
7	GU32474710	Support rubber part	1	
8	AP8152306	Self-locking nut m5	1	
9	292022	Lamp 12V-5W	1	
10	977795	Plate light wiring	1	
11	GU06750600	RH front/LH rear turn indic.	1	
12	GU06753700	Turn indicator lens	2	
13	GU93450127	Lamp	2	
14	GU98370619	Hex socket screw	2	
15	AP8152299	Self-locking nut M6	2	
16	GU06751601	LH front/RH rear turn indic.	1	

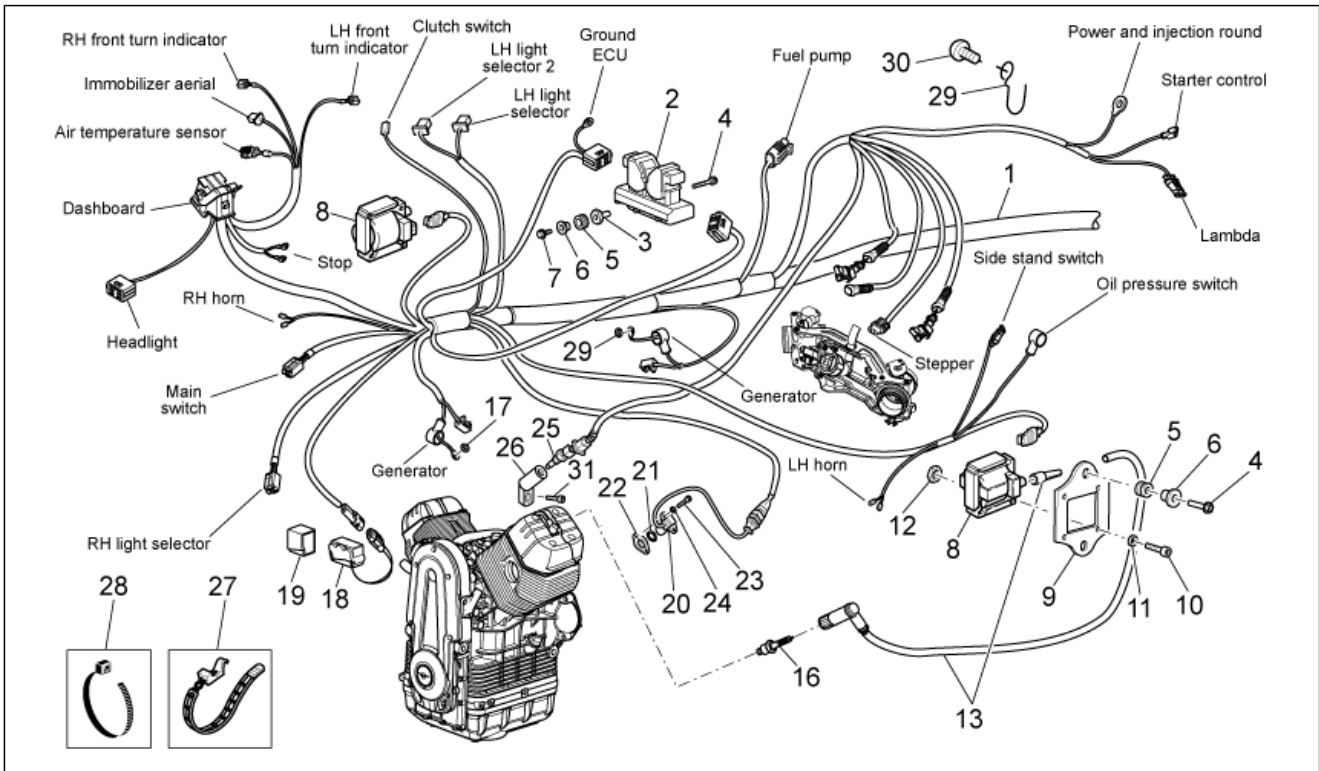


Group	FRAME
Code	33.36
Description	Electrical system I
Service	1



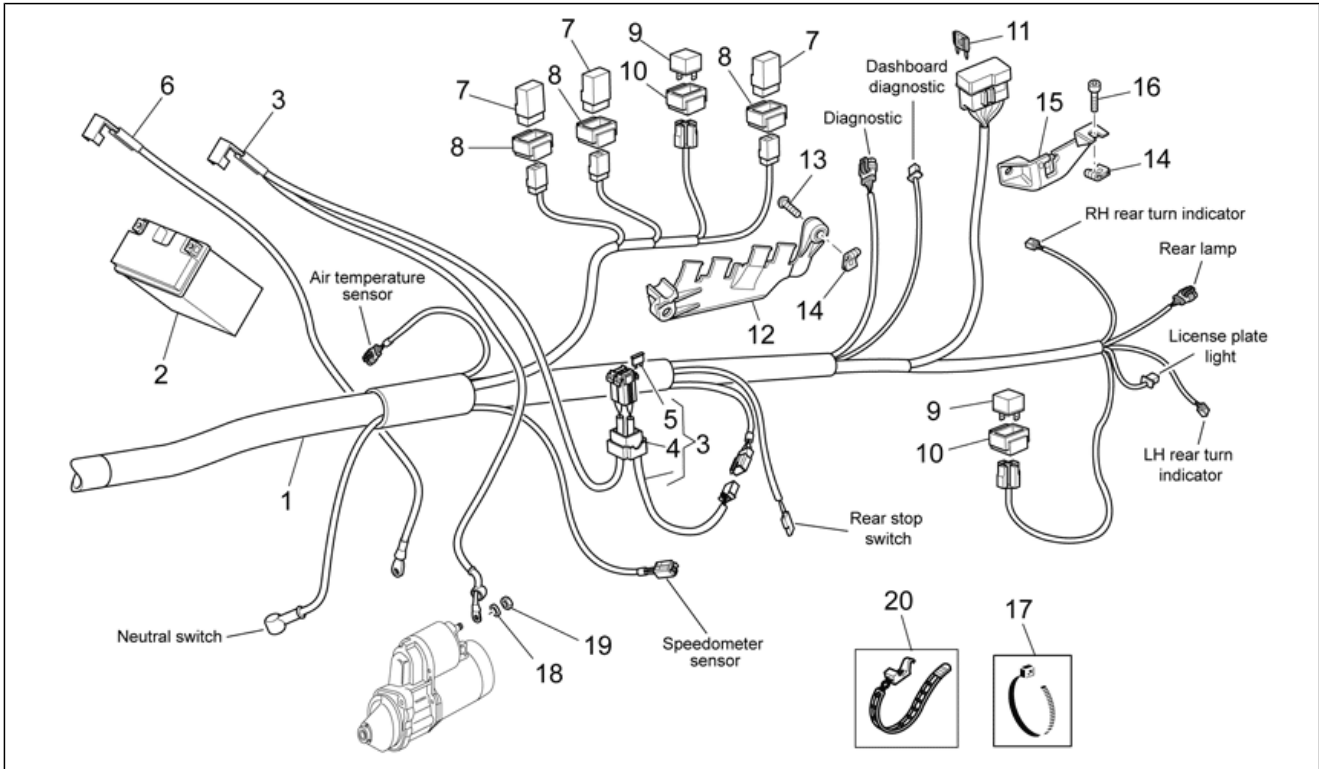
Pos.	Code	Description	Qty	Variants
1	978407	Main wiring harness	1	
2	883900	ECU	1	Year:2010[A] Country:Australia[AUS], Other country[EU], Great Britain[UK], United States of America[USA] Technical Specifications:Chassis ZGULSG[V2]
2	883905	ECU	1	Year:2010[A] Country:Japan[J] Technical Specifications:Chassis ZGULSG[V2]
2	978406	ECU	1	Year:2007[7], 2008[8], 2009[9] Technical Specifications:ZGULSE - ZGULSJ - ZGULSU Chassis[V1]
3	GU05729230	Bush	2	
4	AP8152279	Screw w/ flange M6x20	6	
5	AP8120030	Rubber spacer	6	
6	AP8221023	T bush	6	
7	AP8152282	Screw w/ flange M6x35	2	
8	GU30716500	HT coil	2	
9	GU05716730	Coil holder	2	
10	GU98682125	Hex socket screw	8	
11	GU95008204	Washer 4,3x8x0,5	8	
12	GU92630104	Nut M4x0,7	8	
13	640912	HT wire	2	
16	GU05717030	Spark plug NGK PMR8B	2	
17	AP8152299	Self-locking nut M6	1	
18	584509	Fall sensor	1	
19	AP8144046	Rubber sensor support	1	
20	GU01721600	Phase/revolution sensor	1	
21	GU90706141	O-ring	1	
22	GU01722700	Gasket 0,3mm	1	
22	GU01722701	Gasket 0,4 mm	1	

Group	FRAME
Code	33.36
Description	Electrical system I
Service	1



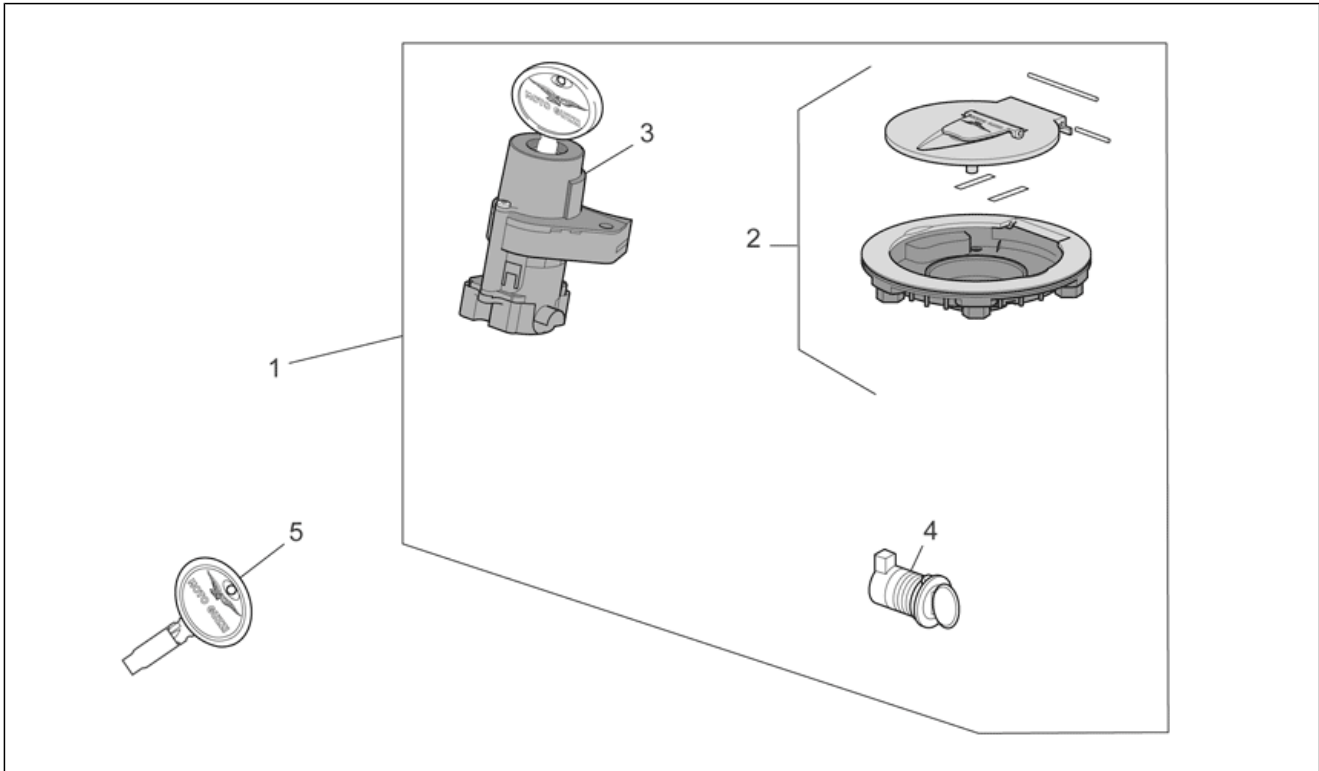
Pos.	Code	Description	Qty	Variants
22	GU01722702	Gasket 0,6mm	1	
22	GU01722703	Gasket	1	
22	GU01722704	Gasket 1mm	1	
22	GU01722705	Gasket 1,5mm	1	
22	GU29722760	Gasket 0,5 mm	1	
23	GU98682212	Hex socket screw M5x12	2	
24	GU95008205	Washer 5,3x10x0,8	2	
25	GU29729461	Oil temperature sensor	1	
26	976556	Sensor support	1	
27	GU06609600	Hose clamp	3	
28	GU14609650	Hose clamp 3,6x20,6	13	
28	GU49609601	Hose clamp 2,4x92	7	
28	GU93304390	Hose clamp 3,6x375	2	
29	AP8121475	Fairlead	1	
30	AP8152285	Screw w/ flange	1	
31	GU98683520	Hex socket screw M10x20	1	

Group	FRAME
Code	33.37
Description	Electrical system II
Service	1



Pos.	Code	Description	Qty	Variants
1	978407	Main wiring harness	1	
2	GU05704531	Battery 12V-20Ah	1	
3	GU32748010	Wiring	1	
4	AP8112811	Rubber fuse box	1	
5	GU28742562	Fuse 30A	3	
6	GU06747900	Ground-battery lead	1	
7	AP8224462	Relay 12V/30A	3	
8	AP8220283	Rubber spacer *	3	
9	AP8124869	Injection relay	2	
10	AP8220546	Relay rubber	2	
11	977769	Fuse 3A	2	
11	977772	Fuse 15A	4	
11	977773	Fuse 20A	2	
12	GU06746300	Bracket	1	
13	AP8152339	Screw w/ flange M5x9	2	
14	AP8102375	Clip m5	4	
15	GU06477000	Bracket	1	
16	GU98682215	Hex socket screw	2	
17	GU14609650	Hose clamp 3,6x20,6	13	
17	GU49609601	Hose clamp 2,4x92	7	
18	GU95129131	Washer 8,4x15x1,7	1	
19	GU92609408	Nut M8x1,25	1	
20	GU06609600	Hose clamp	3	

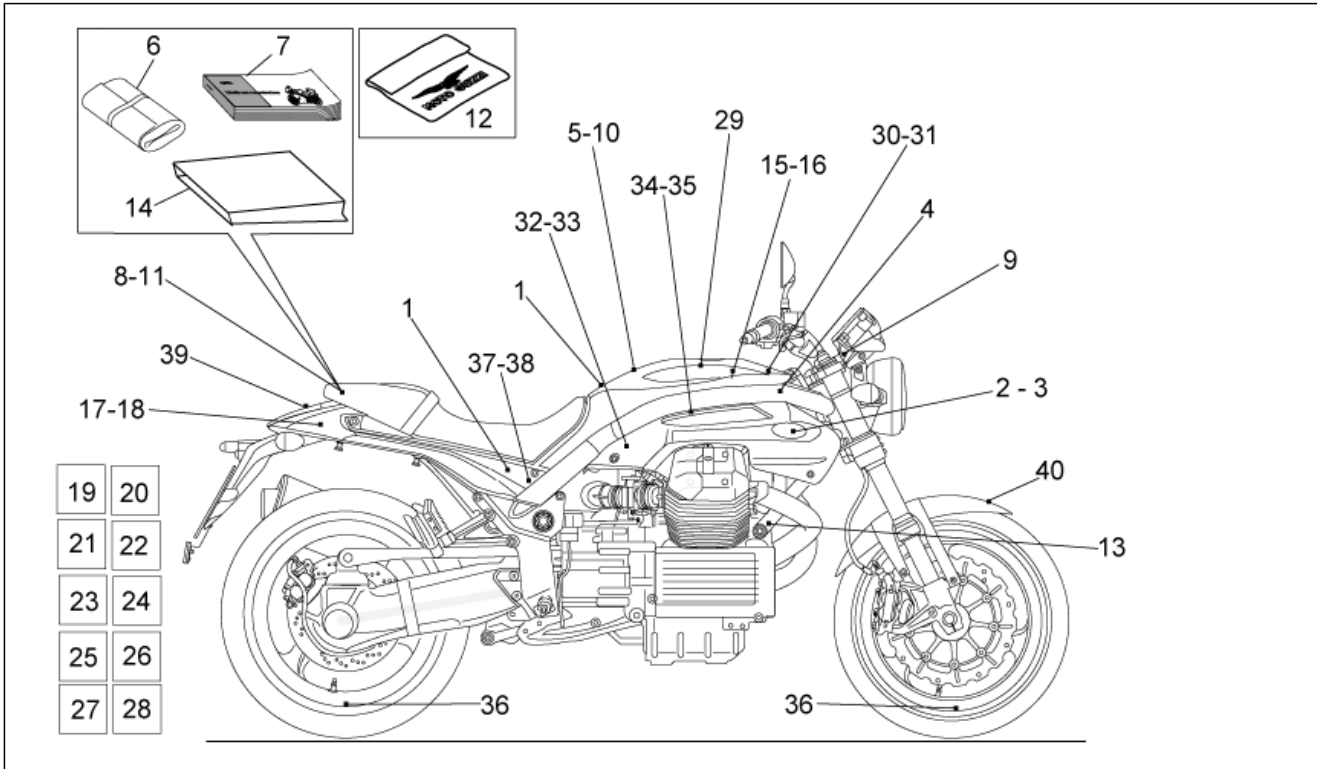
Group	FRAME
Code	33.38
Description	Lock hardware kit
Service	1



Pos.	Code	Description	Qty	Variants
1	GU06736800	Lock kit	1	
2	GU06103900	Tank cap	1	
3	GU06782500	Main switch - steering lock	1	
4	GU05466830	Saddle lock	1	
5	977918	Non indented key blank	1	



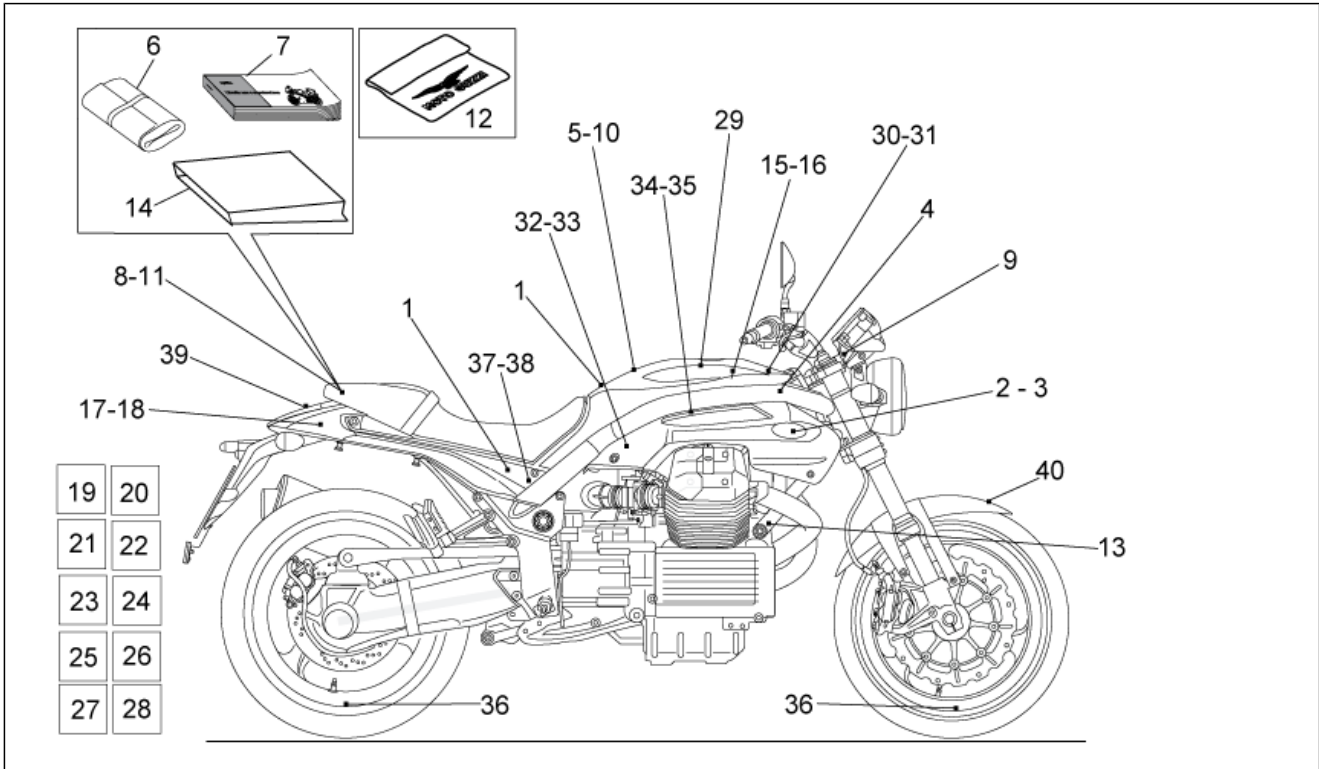
Group	FRAME
Code	33.39
Description	Plate set-decal-op.handbooks
Service	1



Pos.	Code	Description	Qty	Variants
1	883613	Decal "Griso 8V"	2	Technical Specifications: Special Edition Version[SE]
1	887963	Fuel tank decal "Griso"	1	Year: 2012[C] Vehicle colour: Black Devil[b/d] Technical Specifications: Special Edition Version[SE]
1	978403	Decal "Griso 8V"	2	Technical Specifications: Standard Version[std]
2	GU06917400	LH Name plate,red/gold AL	1	
3	GU06917300	RH Name plate,red/gold AL	1	
4	GU05917530	Decal "Italian Story"	1	
5	GU30944300	Decal "Attention"	1	
6	978882	Toolkit	1	
7	883277	Operator's handbook I-F-D-E-NL-UK	1	Country: Canadian[CA], United States of America[USA]
7	883619	Operator's handbook I-F-D-E-NL-UK	1	Technical Specifications: Special Edition Version[SE]
7	978409	Operator's handbook I-F-D-E-NL-UK	1	Country: Australia[AUS], Other country[EU], Japan[J], Great Britain[UK] Technical Specifications: Standard Version[std]
8	GU05945030	Sticker "schema fusibili"	1	
9	GU06517700	Name plate "Griso"	1	
10	GU05944930	Decal Engine Start	1	
11	883932	Tyre pressure decal	1	Year: 2011[B] Country: United States of America[USA]
11	977500	Tyre pressure decal	1	Country: United States of America[USA]
11	GU06926000	Tyre pressure decal	1	Country: Australia[AUS], Other country[EU], Japan[J], Great Britain[UK]
12	GU30970200	Bike cover	1	
13	GU05944530	Decal Warning	1	
14	GU05900130	Bag for document	1	
15	883611	RH white decal	1	Technical Specifications: Special Edition Version[SE]
15	887961	Decalco serbatoio dx fascia	1	Year: 2012[C] Vehicle colour: Black Devil[b/d] Technical Specifications: Special Edition Version[SE]



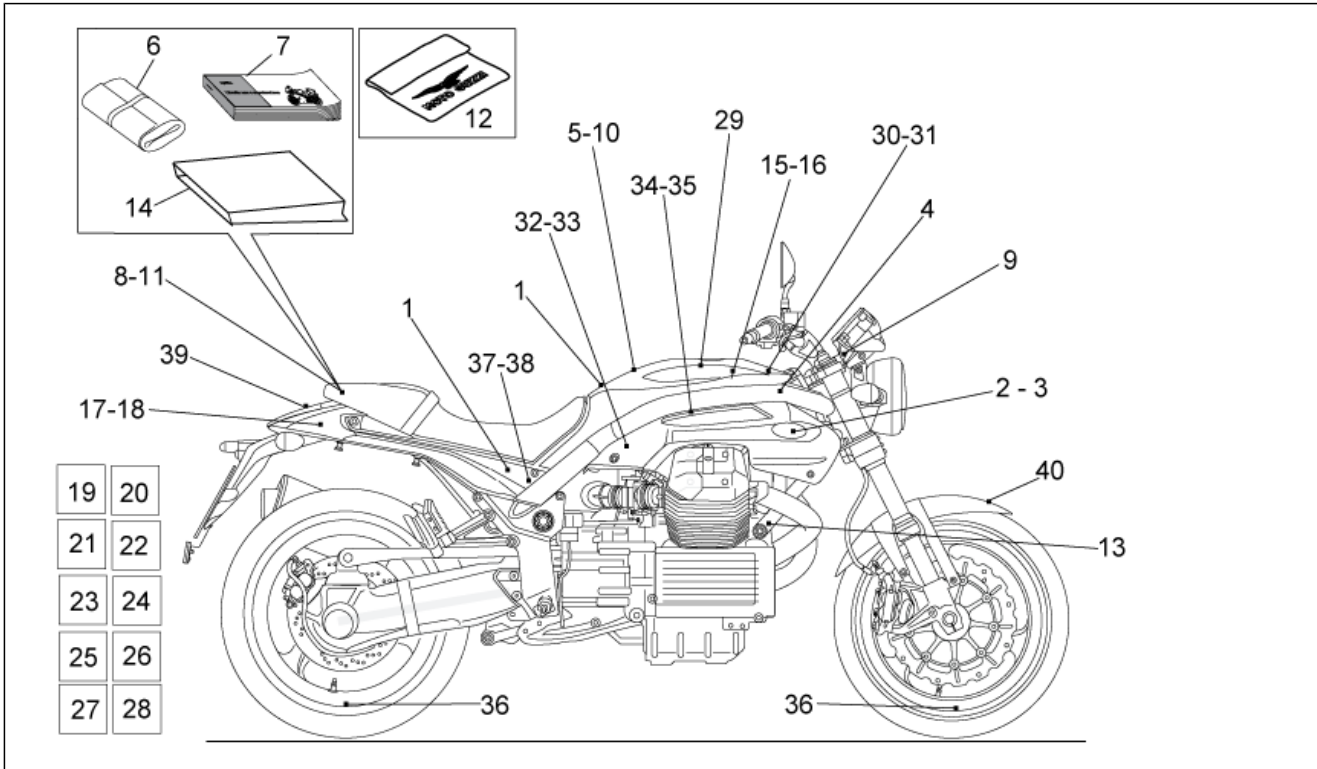
Group	FRAME
Code	33.39
Description	Plate set-decal-op.handbooks
Service	1



Pos.	Code	Description	Qty	Variants
16	883612	LH white decal	1	Technical Specifications: Special Edition Version[SE]
16	887962	Decalco serbatoio sx fascia	1	Year: 2012[C] Vehicle colour: Black Devil[b/d] Technical Specifications: Special Edition Version[SE]
17	883614	RH white decal	1	Technical Specifications: Special Edition Version[SE]
18	883615	LH white decal	1	Technical Specifications: Special Edition Version[SE]
19	883281	Noise emission sticker	1	Year: 2009[9] Country: United States of America[USA]
19	883730	Noise emission sticker	1	Year: 2010[A] Country: United States of America[USA]
19	883917	Noise emission sticker	1	Year: 2011[B] Country: United States of America[USA]
19	884192	Noise emission sticker	1	Year: 2012[C] Country: United States of America[USA]
19	884321	***Noise emission sticker	1	Year: 2013[D] Country: Canadian[CA], United States of America[USA]
20	883279	Emission control sticker	1	Year: 2009[9] Country: United States of America[USA]
20	883731	Emission control sticker	1	Year: 2010[A] Country: United States of America[USA]
20	883918	Emission control sticker	1	Year: 2011[B] Country: United States of America[USA]
20	884193	Emission control sticker	1	Year: 2012[C] Country: United States of America[USA]
20	884322	***LABEL	1	Year: 2013[D] Country: Canadian[CA], United States of America[USA]
21	883280	Carbon filter sticker	1	Year: 2009[9] Country: United States of America[USA]
21	883732	Carbon filter sticker	1	Year: 2010[A] Country: United States of America[USA]
21	883919	Carbon filter sticker	1	Year: 2011[B] Country: United States of America[USA]

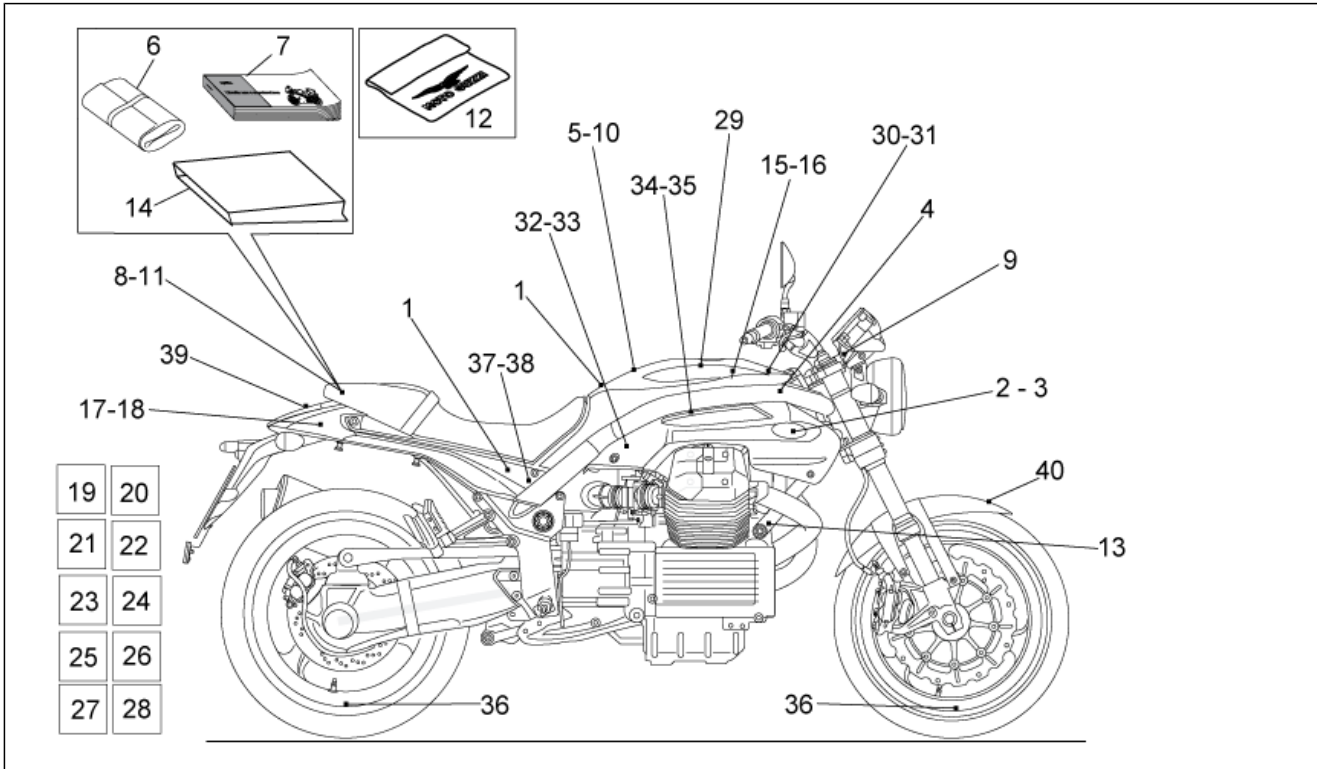


Group	FRAME
Code	33.39
Description	Plate set-decal-op.handbooks
Service	1



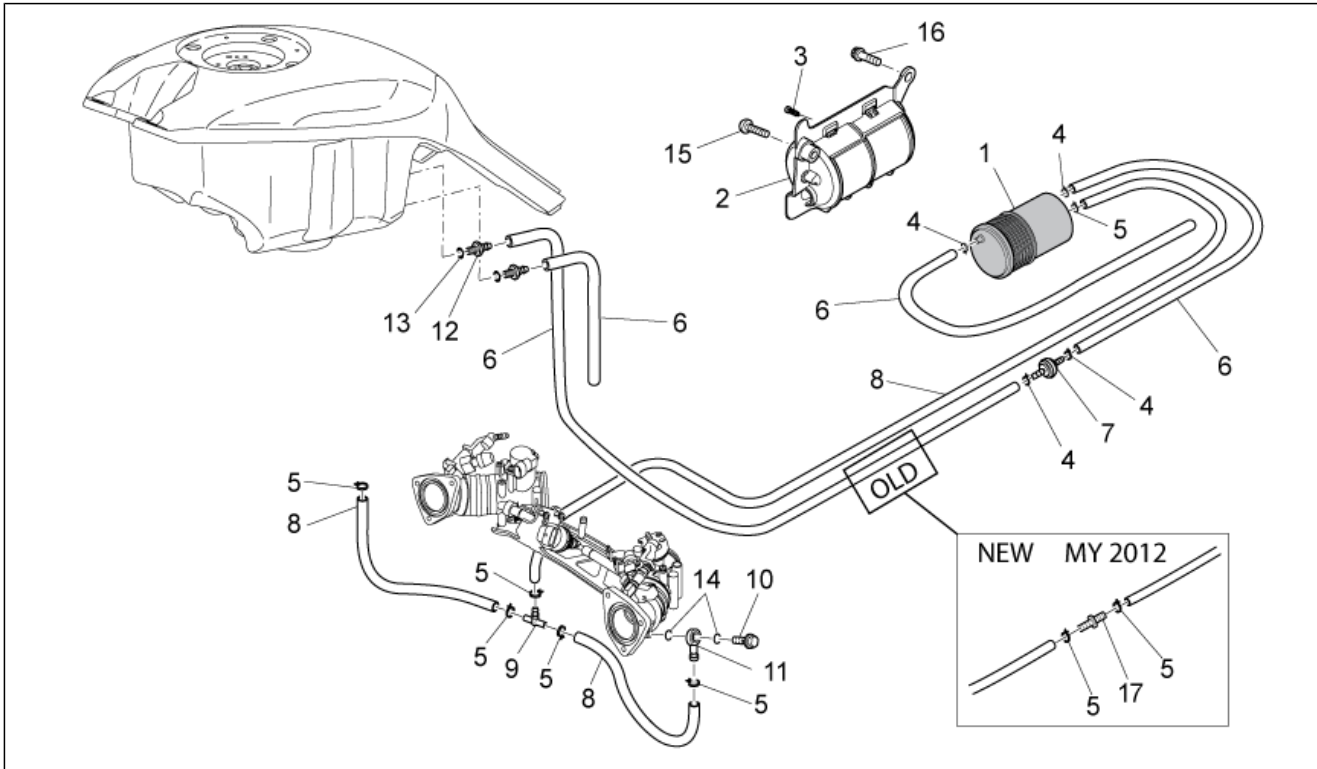
Pos.	Code	Description	Qty	Variants
21	884194	Carbon filter sticker	1	Year:2012[C] Country:United States of America[USA]
21	884323	***LABEL	1	Year:2013[D] Country:Canadian[CA], United States of America[USA]
22	AP8157100	Decal Shock Adsorber	1	
23	AP8257609	Mirror decal	2	
24	AP8257794	Battery decal	1	
25	AP8257742	Keys warning decal	1	
26	GU03995730	Decal "Unleaded Fuelonly"	1	Country:Australia[AUS] Technical Specifications:Special Edition Version[SE]
27	883067	Tamperproof dataplate 78 KW	1	Technical Specifications:Special Edition Version[SE]
28	672381	Name plate ices-002	1	Country:Canadian[CA]
29	886944	Decal "90 Anni Guzzi"	1	
30	887959	Decalco serbatoio dx fascia	1	Year:2012[C] Vehicle colour:Black Devil[b/d] Technical Specifications:Special Edition Version[SE]
31	887960	Decalco serbatoio sx fascia	1	Year:2012[C] Vehicle colour:Black Devil[b/d] Technical Specifications:Special Edition Version[SE]
32	887964	Decalco fascia DX	1	Year:2012[C] Vehicle colour:Black Devil[b/d] Technical Specifications:Special Edition Version[SE]
33	887965	Decalco fascia SX	1	Year:2012[C] Vehicle colour:Black Devil[b/d] Technical Specifications:Special Edition Version[SE]
34	887966	Decalco fascia DX	1	Year:2012[C] Vehicle colour:Black Devil[b/d] Technical Specifications:Special Edition Version[SE]
35	887967	Decalco fascia SX	1	Year:2012[C] Vehicle colour:Black Devil[b/d] Technical Specifications:Special Edition Version[SE]
36	887971	Decal "Moto Guzzi"	4	Year:2012[C]

Group	FRAME
Code	33.39
Description	Plate set-decal-op.handbooks
Service	1



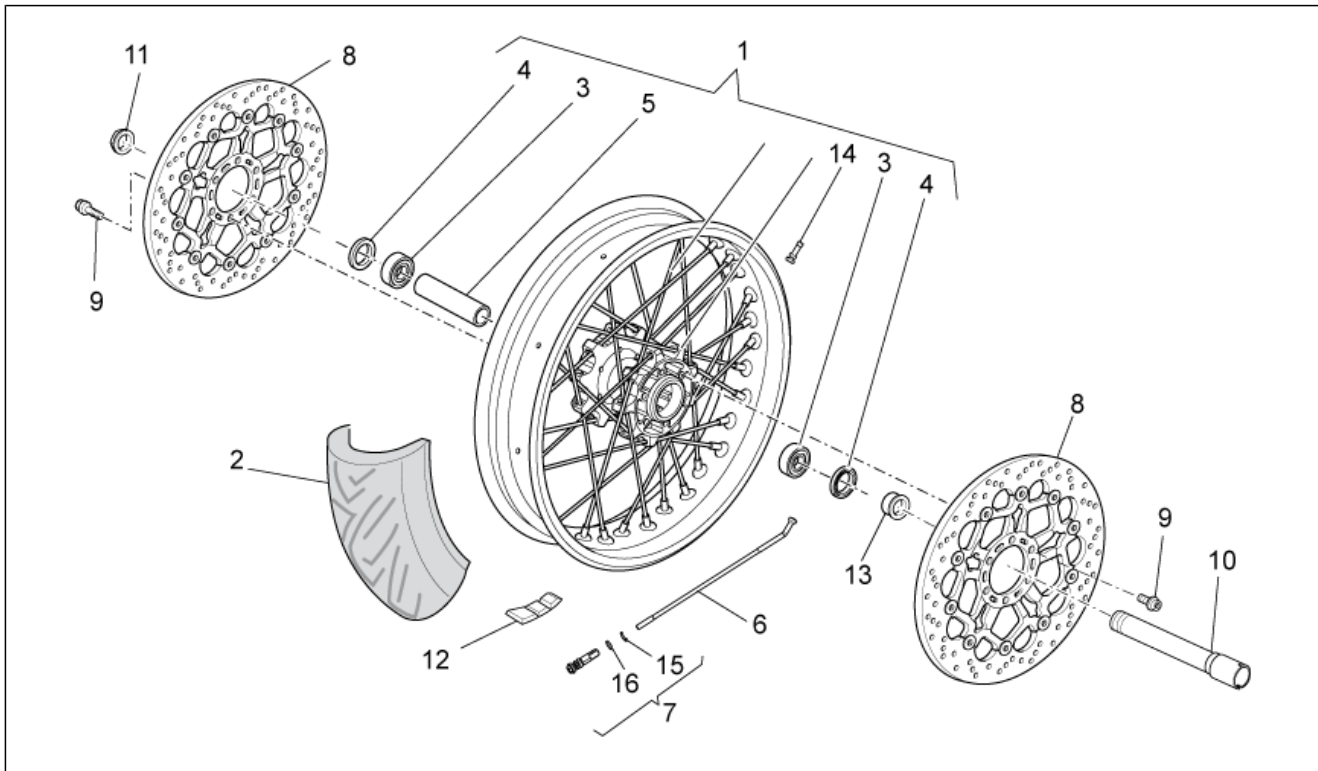
Pos.	Code	Description	Qty	Variants
				Vehicle colour:Black Devil[b/d] Technical Specifications:Special Edition Version[SE]
37	887968	RH decal "1200"	1	Year:2012[C] Vehicle colour:Black Devil[b/d] Technical Specifications:Special Edition Version[SE]
38	887969	Sticker LH "1200"	1	Year:2012[C] Vehicle colour:Black Devil[b/d] Technical Specifications:Special Edition Version[SE]
39	887970	Rear fairing decal	1	Year:2012[C] Vehicle colour:Black Devil[b/d] Technical Specifications:Special Edition Version[SE]
40	886141	Decal "Aquila"	1	Year:2012[C] Vehicle colour:Black Devil[b/d] Technical Specifications:Special Edition Version[SE]

Group	FRAME
Code	33.63
Description	Fuel vapour recover system
Service	1



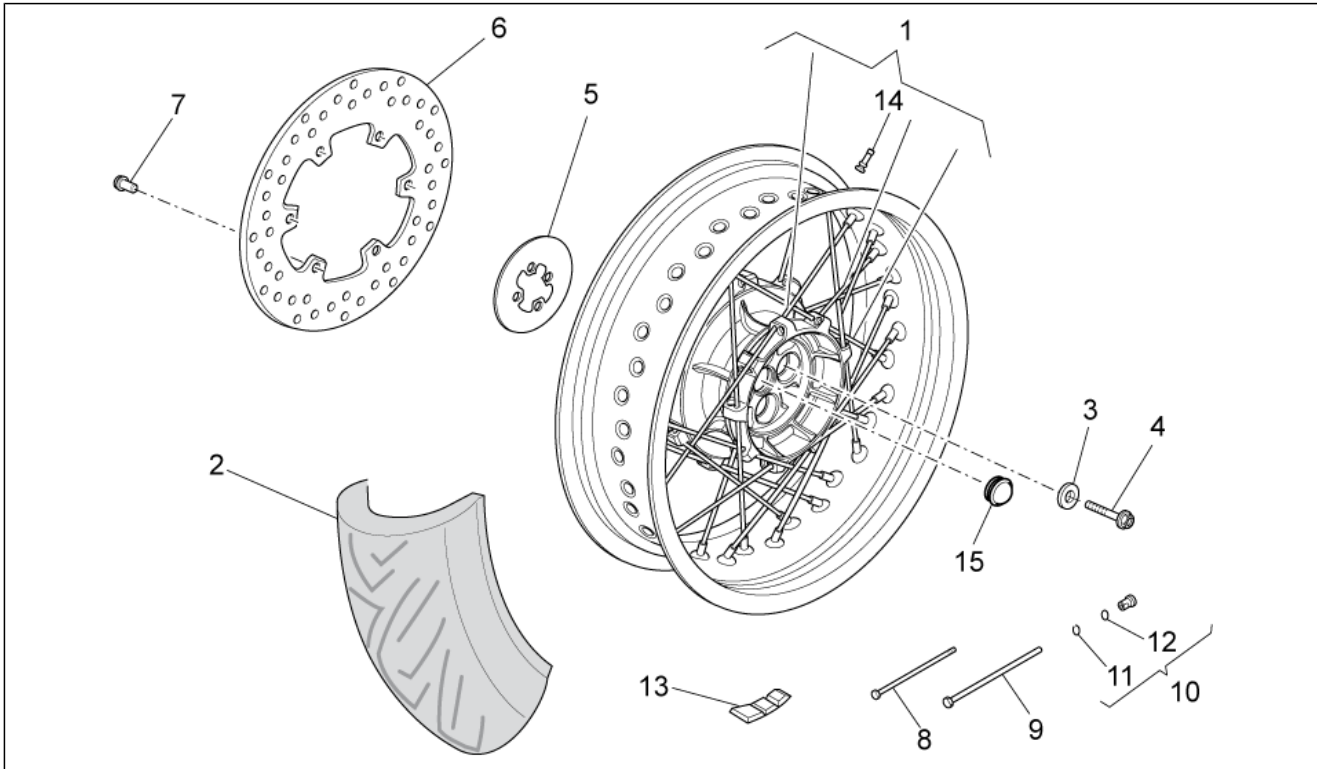
Pos.	Code	Description	Qty	Variants
1	AP8102678	Carbon filter	1	Country:Canadian[CA], United States of America[USA]
2	977418	Canister support plate	1	Country:Canadian[CA], United States of America[USA]
3	AP8150413	Self-tap screw 3,9x14	3	Country:Canadian[CA], United States of America[USA]
4	AP8201358	Hose clamp D 11,9	4	Country:Canadian[CA], United States of America[USA]
5	AP8102377	Hose clamp D9,1*	8	Country:Canadian[CA], United States of America[USA]
6	856063	pipe SAE 30 d.12,7x6,35	3	Country:Canadian[CA], United States of America[USA]
7	860138	Valve	1	Year:2012[C] Country:Canadian[CA], United States of America[USA] Technical Specifications:New version[NEW]
7	AP8104614	Pressure valve	1	Year:2007[7], 2008[8], 2009[9], 2010[A], 2011[B] Country:Canadian[CA], United States of America[USA] Technical Specifications:Old version[OLD]
8	856062	pipe SAE 30 d.11,11x4,8	3	Country:Canadian[CA], United States of America[USA]
9	AP8104666	3-way union	1	Country:Canadian[CA], United States of America[USA]
10	GU95990023	Bored screw	2	Country:Canadian[CA], United States of America[USA]
11	GU95963062	Joint	2	Country:Canadian[CA], United States of America[USA]
12	GU30103730	Joint	2	Country:Canadian[CA], United States of America[USA]
13	AP8120965	O-ring 2018	2	Country:Canadian[CA], United States of America[USA]
14	GU90706009	O-ring 6x1	4	Country:Canadian[CA], United States of America[USA]
15	GU98231235	Hex socket screw M12x35	1	Country:Canadian[CA], United States of America[USA]
16	GU97202435	screw	1	Country:Canadian[CA], United States of America[USA]
17	AP8121267	Choke hold	1	Year:2012[C] Country:Canadian[CA], United States of America[USA] Technical Specifications:New version[NEW]

Group	FRAME
Code	33.64
Description	SE Front wheel
Service	1



Pos.	Code	Description	Qty	Variants
1	884077	Front wheel, black 3,5X17"	1	Technical Specifications: Ruota marchiata BEHR[RBE], Ruota con raggi ZN[RZN], Special Edition Version[SE]
1	884163	Front wheel, black 3,5X17"	1	Technical Specifications: Ruota marchiata GIANT[RGI], Ruota con raggi ZN[RZN], Special Edition Version[SE]
1	978528	Front wheel, black 3,5x17"	1	Technical Specifications: Ruota marchiata BEHR[RBE], Ruota con raggi CR[RRCR], Special Edition Version[SE]
2	2B000182	Front/rear tyre	1	Technical Specifications: Marchio MICHELEN[MI]
2	97717R	Front tyre 120/70 ZR 17"	1	Technical Specifications: Special Edition Version[SE]
3	AP8125777	Ball bearing 25x47x12	2	Technical Specifications: Special Edition Version[SE]
4	AP8125773	Gasket ring 30x47x7	2	Technical Specifications: Special Edition Version[SE]
5	978516	Spacer	1	Technical Specifications: Special Edition Version[SE]
6	887084	Front spoke	36	Technical Specifications: Special Edition Version[SE], Galvanized[ZN]
6	978530	Spoke	36	Technical Specifications: Polished Chrome[CR], Special Edition Version[SE]
7	978810	Nipples L=34	36	Technical Specifications: Special Edition Version[SE]
8	883688	Front brake disc 320	2	Technical Specifications: Special Edition Version[SE], Marchio Sunstar[SUN]
8	978764	Front brake disc	2	Technical Specifications: Marchio Brembo[BRE], Special Edition Version[SE]
9	GU05611430	screw	12	Technical Specifications: Special Edition Version[SE]
10	978497	Front wheel spindle	1	Technical Specifications: Special Edition Version[SE]
11	GU01612190	Nut	1	Technical Specifications: Special Edition Version[SE]
12	GU14616150	Counterweight	1	Technical Specifications: Special Edition Version[SE]
13	978498	Spacer	1	Technical Specifications: Special Edition Version[SE]
14	AP8101744	Tubeless tyre valve	1	Technical Specifications: Special Edition Version[SE]
15	978811	Snap ring	36	Technical Specifications: Special Edition Version[SE]
16	GU90706061	O-ring OR2025	36	Technical Specifications: Special Edition Version[SE]

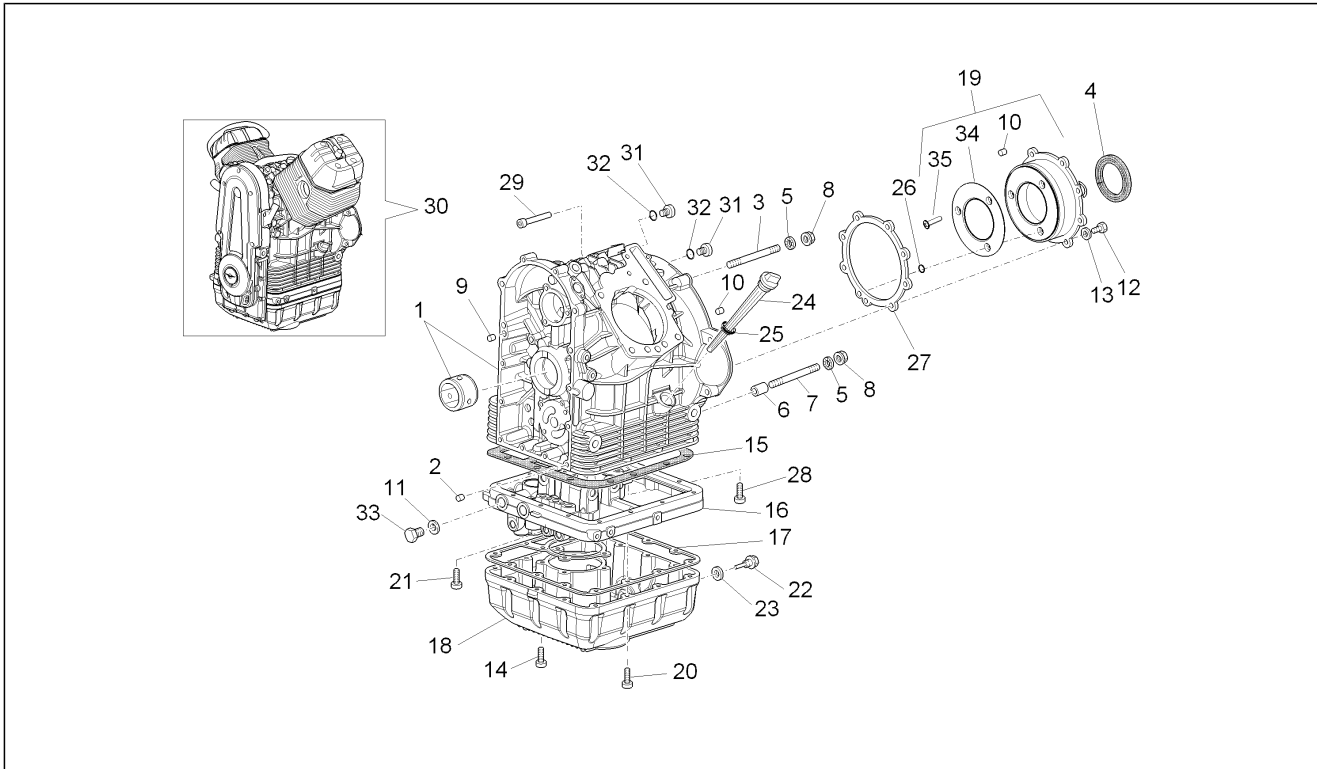
Group	FRAME
Code	33.65
Description	SE Rear wheel
Service	1



Pos.	Code	Description	Qty	Variants
1	884078	Rear wheel 5,5x17	1	Technical Specifications: Ruota marchiata BEHR[RBE], Ruota con raggi ZN[RZN], Special Edition Version[SE]
1	884164	Rear wheel 5,5x17	1	Technical Specifications: Ruota marchiata GIANT[RGI], Ruota con raggi ZN[RZN], Special Edition Version[SE]
1	978849	Rear wheel 5,5x17"	1	Technical Specifications: Ruota marchiata BEHR[RBE], Ruota con raggi CR[RRCR], Special Edition Version[SE]
2	2B000183	Rear tyre	1	Technical Specifications: Marchio MICHELEN[MI]
2	97718R	Rear tyre 180/55 ZR 17"	1	Technical Specifications: Special Edition Version[SE]
3	GU05632730	Conical bush	4	Technical Specifications: Special Edition Version[SE]
4	GU97202665	Screw w/ flange M12x65	4	Technical Specifications: Special Edition Version[SE]
5	977056	Dust cover ring	1	Technical Specifications: Special Edition Version[SE]
6	GU05635730	Rear brake disc	1	Technical Specifications: Special Edition Version[SE]
7	GU30611460	screw	6	Technical Specifications: Special Edition Version[SE]
8	887082	Short spoke L=147,4mm	18	Technical Specifications: Special Edition Version[SE], Galvanized[ZN]
8	978815	Short spoke	18	Technical Specifications: Polished Chrome[CR], Special Edition Version[SE]
9	887083	Long spoke L=154,9mm	18	Technical Specifications: Special Edition Version[SE], Galvanized[ZN]
9	978816	Long spoke	18	Technical Specifications: Polished Chrome[CR], Special Edition Version[SE]
10	978810	Nipples L=34	36	Technical Specifications: Special Edition Version[SE]
11	978811	Snap ring	36	Technical Specifications: Special Edition Version[SE]
12	GU90706061	O-ring OR2025	36	Technical Specifications: Special Edition Version[SE]
13	GU14616150	Counterweight	1	Technical Specifications: Special Edition Version[SE]
14	AP8101744	Tubeless tyre valve	1	Technical Specifications: Special Edition Version[SE]
15	978301	Cover	1	Technical Specifications: Special Edition Version[SE]

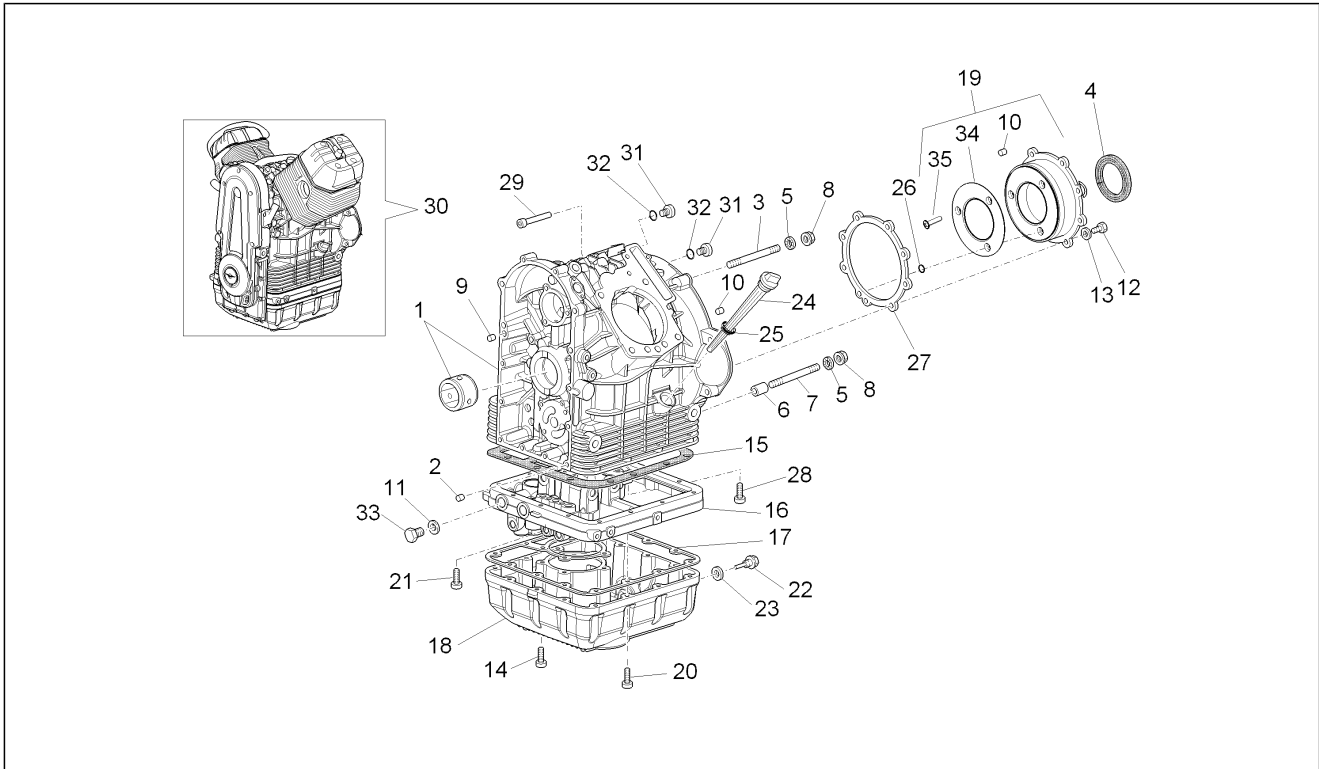


Group	ENGINE
Code	34.40
Description	Crank-case I
Service	1



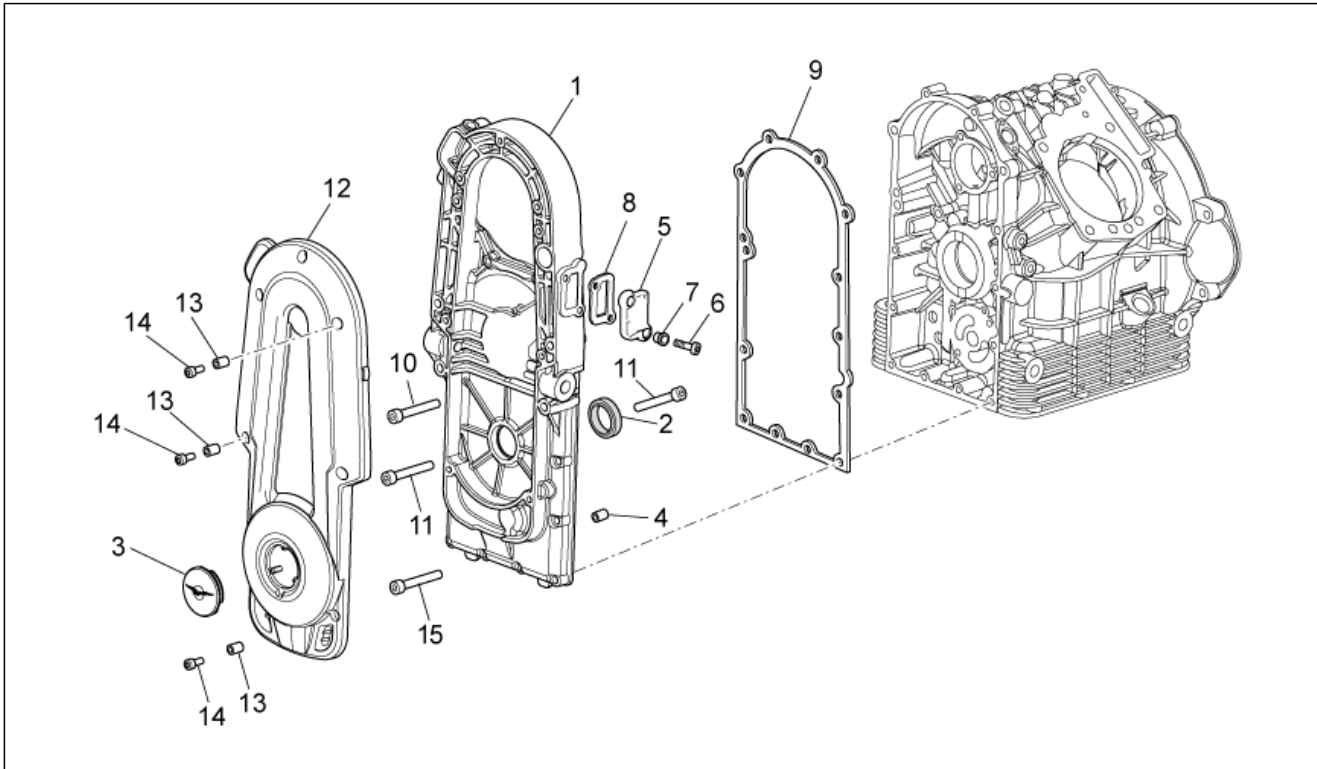
Pos.	Code	Description	Qty	Variants
1	976539	Crankcase black	1	
2	411209	Pin	2	
3	GU96508066	Stud bolt M8X66	3	
4	GU90405367	Gasket ring	1	
5	GU14615901	Washer 8,4X13X0,8	5	
6	GU12018900	Coupling bush	2	
7	GU96508075	Stud bolt M8x75	2	
8	GU92660021	Flanged nut M8	5	
9	GU95512081	Pin	2	
10	560110	Pin	2	
11	GU01154230	Gasket	2	
12	GU98084425	Hex screw M8x25	8	
13	GU61270300	Spring washer 8x15x0,3	8	
14	GU98680335	Hex socket screw M6x35	4	
15	GU01003651	Gasket	1	
16	976502	Flange black	1	
17	GU05003630	Gasket	1	
18	976486	Oil sump black	1	
19	874213	Complete flange	1	
20	AP4ADN000007	Hex socket screw	14	
21	GU98680360	Hex socket screw M6x60	2	
22	GU31003766	Oil unload plug M10x1	1	
23	GU01528930	Gasket 10x18x1,5	1	
24	GU05004930	Oil level plug	1	
25	GU90706178	O-ring 17,86X2,62	1	
26	874980	O-ring 7,5X2	1	
27	874257	Gasket	1	
28	GU98680340	Hex socket screw M6x40	2	

Group	ENGINE
Code	34.40
Description	Crank-case I
Service	1



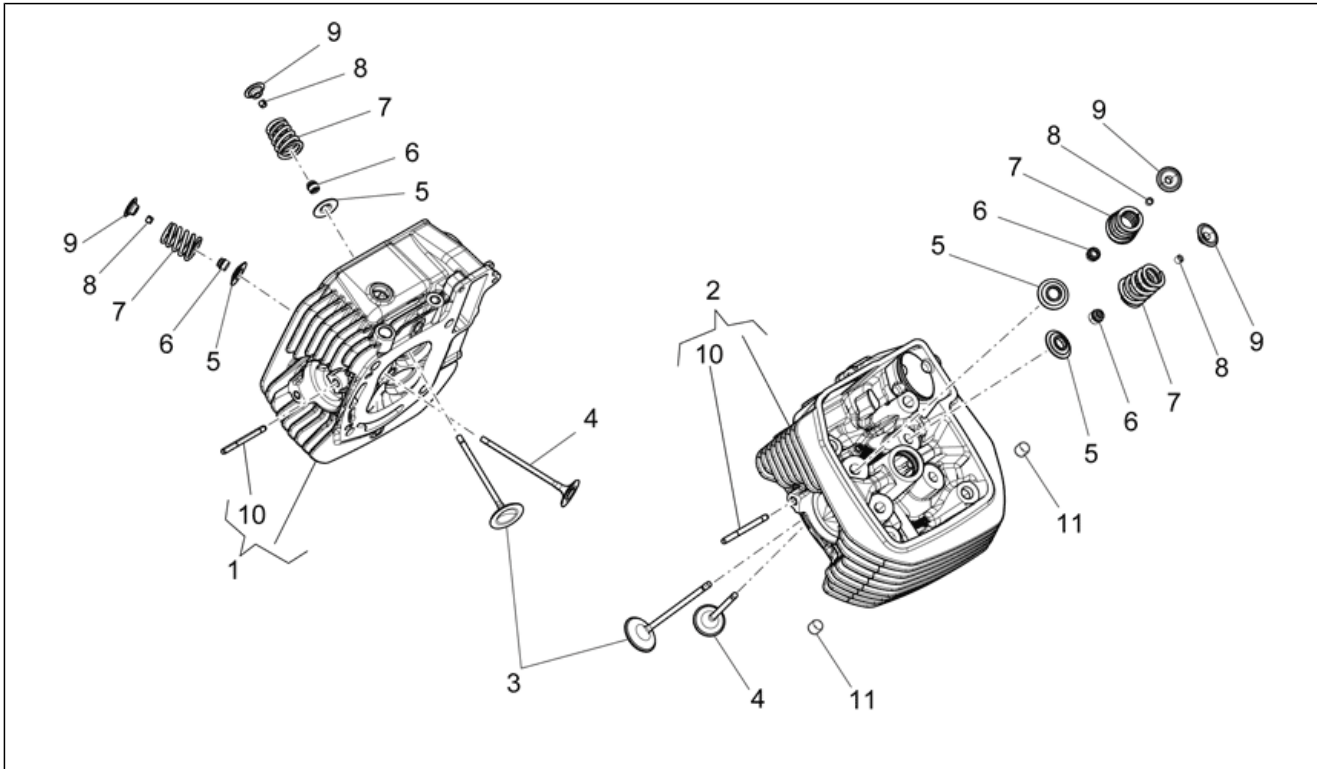
Pos.	Code	Description	Qty	Variants
29	AP8152291	Screw w/ flange	1	
30	976929	Engine cpl.	1	Technical Specifications: Vecchia distribuzione[VD]
30	9769945	***Engine cpl.	1	Technical Specifications: Nuova distribuzione a rullini[ND]
31	GU12022600	Oil plug	2	
32	GU90706203	O-ring 20,24X2,62	2	
33	GU95980216	Cover	2	
34	874134	Disco recupero olio	1	
35	015935	TBCIC Screw M5x12	3	

Group	ENGINE
Code	34.41
Description	Crank-case II
Service	1



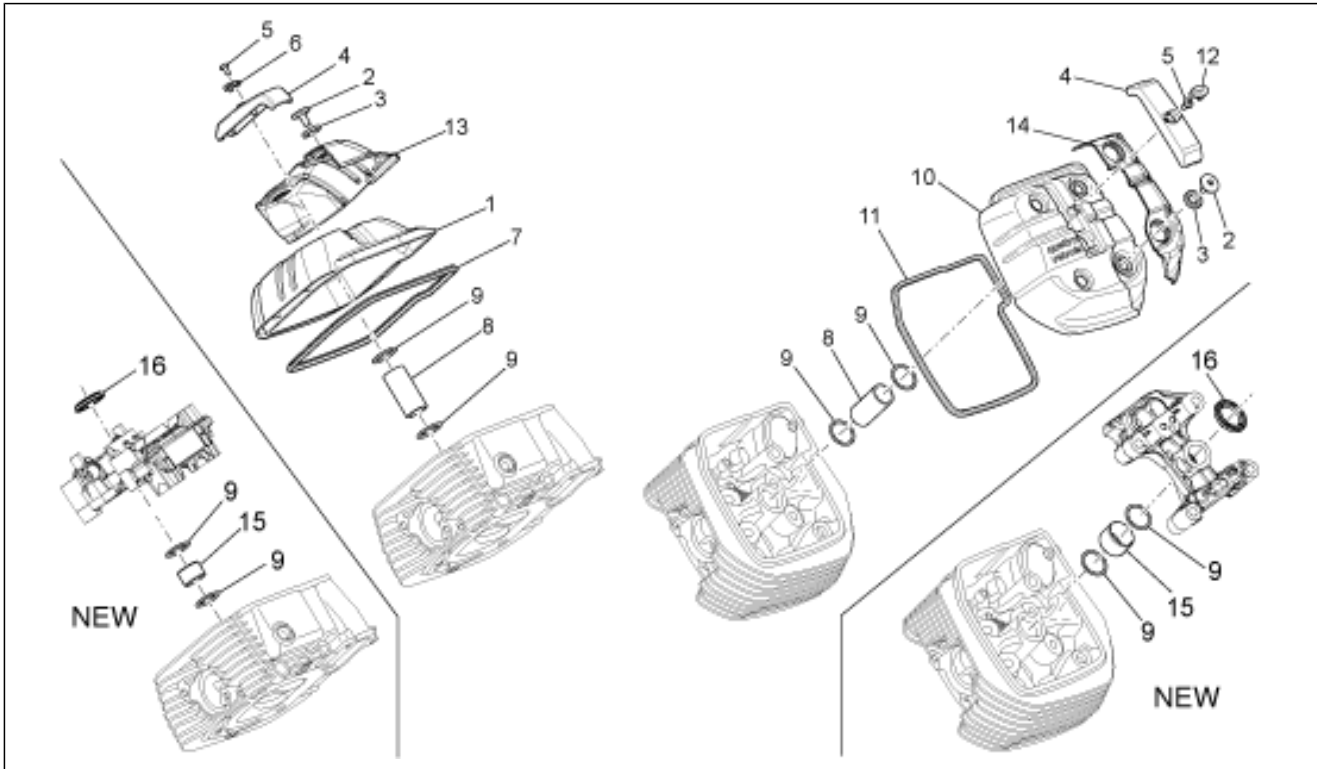
Pos.	Code	Description	Qty	Variants
1	976480	Timing cover black	1	
2	GU90412237	Gasket ring 22x35x7viton	1	
3	GU05002130	Cover	1	
4	825597	Pin 11,8X10	2	
5	976554	Cover	1	
6	GU98682320	Hex socket screw M6x20	2	
7	GU91120607	Bushing 6,4x8,4x10,5	2	
8	GU90706347	O-ring 34,65x1,78viton	1	
9	976478	Cover gasket	1	
10	AP8150046	Hex socket screw M8x55	4	
11	GU98682330	Hex socket screw M6x20	9	
12	GU05001630	Alternator cover grey	1	
13	GU91120606	Bushing 6,8x8,8x5,8	6	
14	GU98682316	Hex socket screw M6x16	5	
15	GU98680335	Hex socket screw M6x35	1	

Group	ENGINE
Code	34.42
Description	Cylinder head - valves
Service	1



Pos.	Code	Description	Qty	Variants
1	872756	RH cylinder head	1	Technical Specifications: ZGULSE - ZGULSJ - ZGULSU Chassis[V1]
1	878556	RH cylinder head	1	Technical Specifications: Chassis ZGULSG[V2]
2	872755	LH cylinder head	1	Technical Specifications: ZGULSE - ZGULSJ - ZGULSU Chassis[V1]
2	878553	LH cylinder head	1	Technical Specifications: Chassis ZGULSG[V2]
3	872695	Intake valve	4	
4	872696	Exhaust valve	4	
5	874127	Lower cup	4	
6	436438	Valve gasket ring	8	
7	874335	Valve spring	8	
8	285846	Valve half-cone	8	
9	874126	Upper cup	8	
10	827018	Exhaust pipe stud bolt M8X3X46	4	
11	825597	Pin 11,8X10	8	

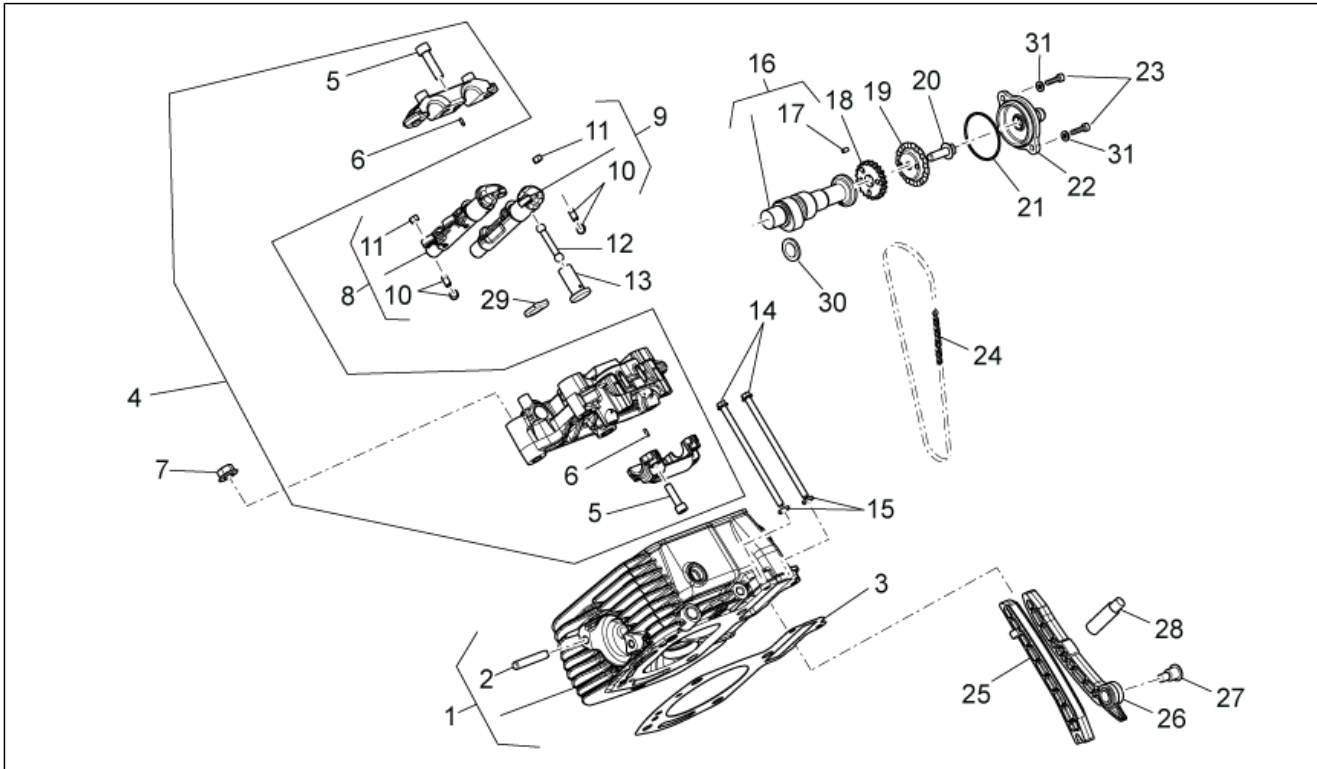
Group	ENGINE
Code	34.43
Description	Head cover
Service	1



Pos.	Code	Description	Qty	Variants
1	872607	RH Head cover	2	Technical Specifications: Old version[OLD]
1	880124	RH Head cover	1	Technical Specifications: New version[NEW]
2	976591	Special screw	8	
3	830249	Damper drift	8	Technical Specifications: Old version[OLD]
3	879975	Damper drift	8	Technical Specifications: New version[NEW]
4	872726	Spark plug cover	2	
5	GU98230510	Hex socket screw	2	
6	976560	RH Name plate "Moto Guzzi"	1	
7	872742	RH gasket	1	
8	873668	Spark plug pipe	2	Technical Specifications: Old version[OLD]
9	873626	O-ring 26X2,5	4	
10	872606	LH Head cover	1	Technical Specifications: Old version[OLD]
10	880123	LH Head cover	1	Technical Specifications: New version[NEW]
11	872741	LH gasket	1	
12	976559	LH Name plate "Moto Guzzi"	1	
13	873654	RH cover	1	
14	872740	LH cover	1	
15	879987	Spark plug pipe	2	Technical Specifications: New version[NEW]
16	880127	Gasket	2	Technical Specifications: Old version[OLD]

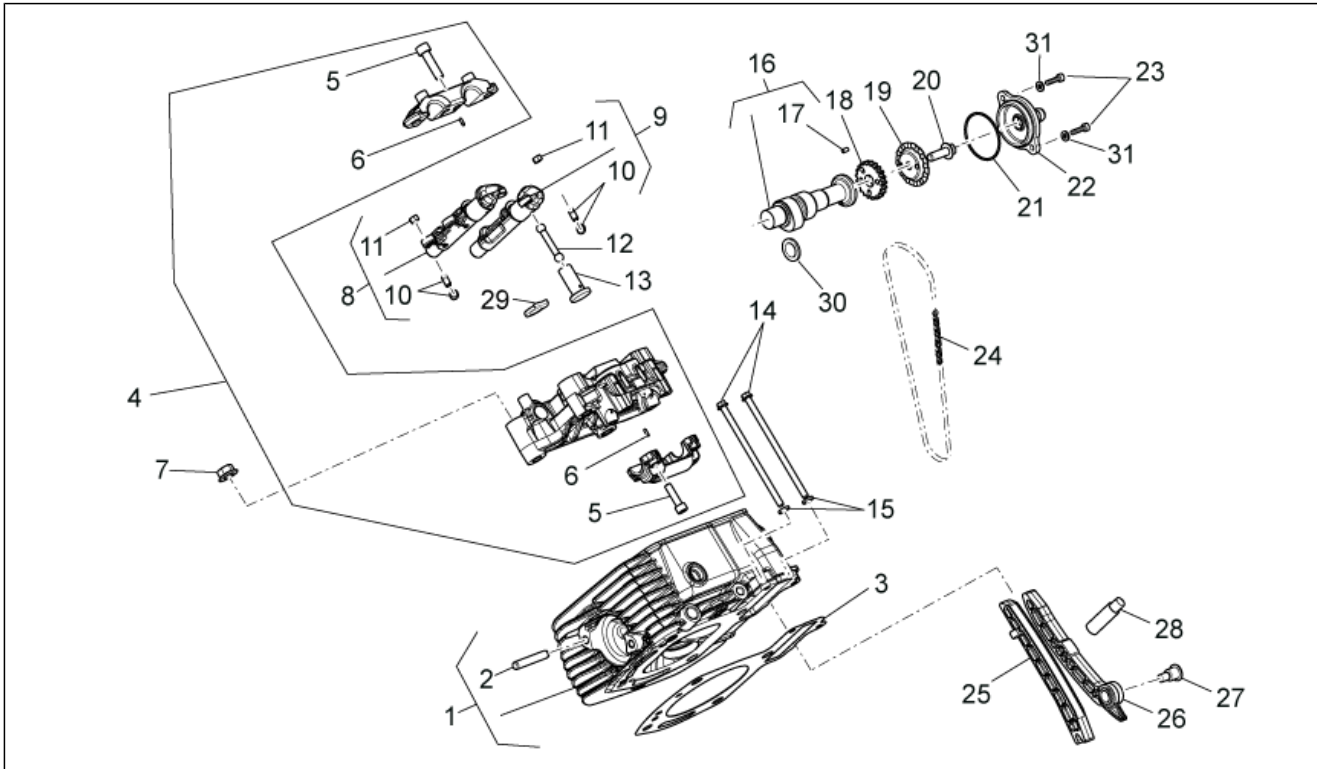


Group	ENGINE
Code	34.44
Description	RH cylinder timing system I
Service	1



Pos.	Code	Description	Qty	Variants
1	872756	RH cylinder head	1	Technical Specifications: ZGULSE - ZGULSJ - ZGULSU Chassis[V1]
1	878556	RH cylinder head	1	Technical Specifications: Chassis ZGULSG[V2]
2	827018	Exhaust pipe stud bolt M8X3X46	4	
3	874621	Cylinder head gasket 0,65 mm	2	
3	874622	Cylinder head gasket 0,85 mm	2	
3	976311	Cylinder head gasket 1,05 mm	2	
4	873426	RH.Rocker arm support	1	Technical Specifications: Old version[OLD]
4	880879	RH.Rocker arm support	1	Technical Specifications: New version[NEW]
5	015792	screw M8x30	6	
6	872759	Pin D. 2,5	4	
7	833520	Nut M10X1,25 6H	4	
8	976359	Rocker arm assy.	1	Technical Specifications: Asta comando bilanciere old[M1]
8	B013603	Bilanciere aspirazione sx scarico dx	1	Technical Specifications: Asta comando bilanciere new[M2]
9	976360	Rocker arm assy.	1	Technical Specifications: Asta comando bilanciere old[M1]
9	B013605	Bilanciere aspirazione dx scarico sx	1	Technical Specifications: Asta comando bilanciere new[M2]
10	873850	Adjuster screw	4	Technical Specifications: Asta comando bilanciere old[M1]
10	879707	Adjuster screw	4	Technical Specifications: Asta comando bilanciere new[M2]
11	484819	Nut	4	Technical Specifications: Asta comando bilanciere old[M1]
11	879916	Rocker arm adjuster nut	4	Technical Specifications: Asta comando bilanciere new[M2]
12	873631	Rocker arm rod	2	Technical Specifications: Asta comando bilanciere old[M1]
12	B015681	Rocker arm rod	2	Technical Specifications: Asta comando bilanciere new[M2]
13	B014603	Bicchierino per punteria	2	
14	487444	Screw w/ flange M6x120	2	
15	976674	Plain washer 12x6,1x2	2	
16	873873	Camshaft	1	Year: 2007[7], 2008[8], 2009[9] Technical Specifications: ZGULSE - ZGULSJ - ZGULSU Chassis[V1]
16	8776384	Camshaft	1	Year: 2010[A]

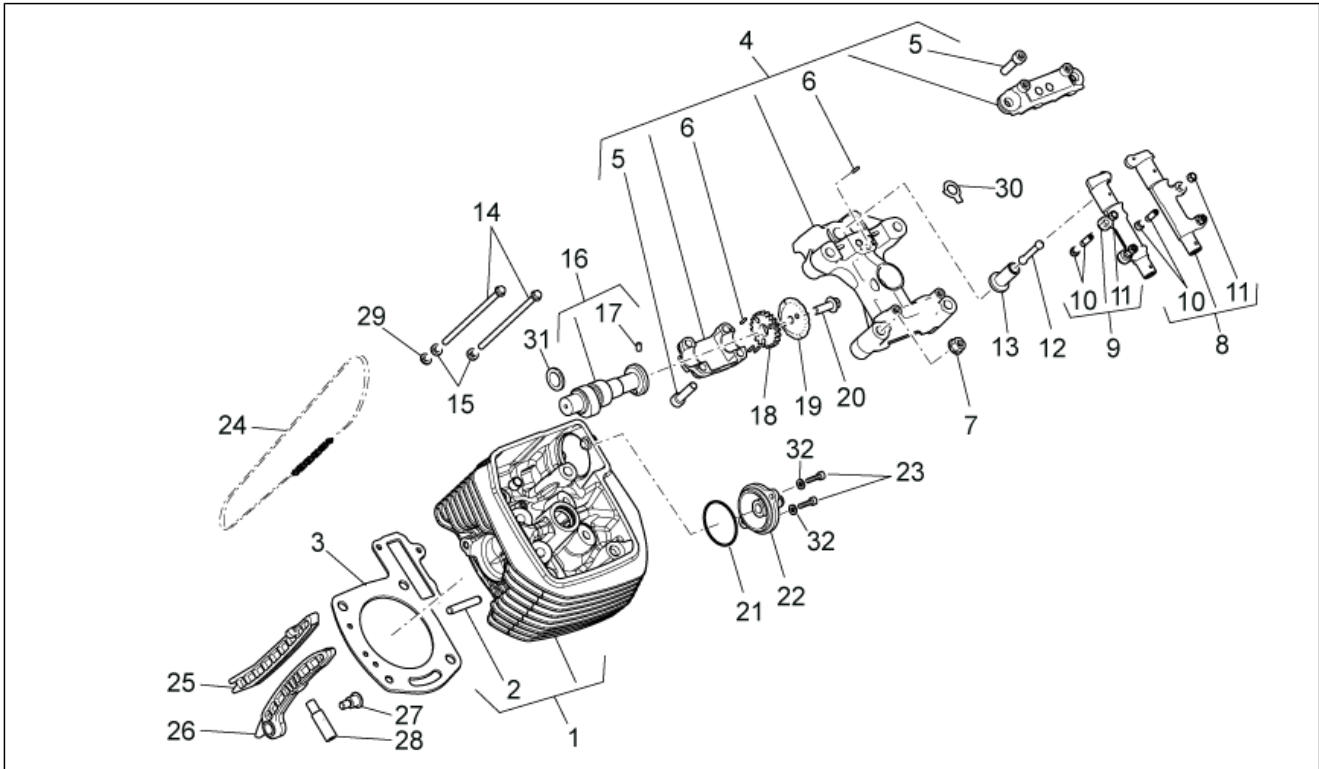
Group	ENGINE
Code	34.44
Description	RH cylinder timing system I
Service	1



Pos.	Code	Description	Qty	Variants
				Technical Specifications: Chassis ZGULSG[V2]
17	976589	Pin	1	
18	976350	Timing gear	1	
19	874601	sheet oil breather	1	
20	843060	Screw w/ flange	1	
21	872814	O-ring 47,35X1,78	1	Technical Specifications: ZGULSE - ZGULSJ - ZGULSU Chassis[V1]
21	976584	O-ring 44.17X1.78	1	Technical Specifications: Chassis ZGULSG[V2]
22	874521	Breather cover cpl.	1	Technical Specifications: ZGULSE - ZGULSJ - ZGULSU Chassis[V1]
22	976690	Breather cover cpl.	1	Technical Specifications: Chassis ZGULSG[V2]
23	GU98350210	Hex socket screw	2	Technical Specifications: ZGULSE - ZGULSJ - ZGULSU Chassis[V1]
23	GU98622214	screw	1	Technical Specifications: Chassis ZGULSG[V2]
24	976341	Camshaft chain	1	
25	976338	Chain guide plate	1	
26	976337	Chain tensioner sliding block	1	
27	974228	Spacer screw	1	
28	873689	RH chain tensioner	1	
29	874805	Plate	1	
30	CM162701	Spacer 1,06	1	
30	CM162702	Spacer 1,08	1	
30	CM162703	Spacer 1,10	1	
30	CM162704	Spacer 1,12	1	
30	CM162705	Spacer 1,14	1	
31	GU95129100	Spring washer 5,3X10X0,5	1	Technical Specifications: Chassis ZGULSG[V2]

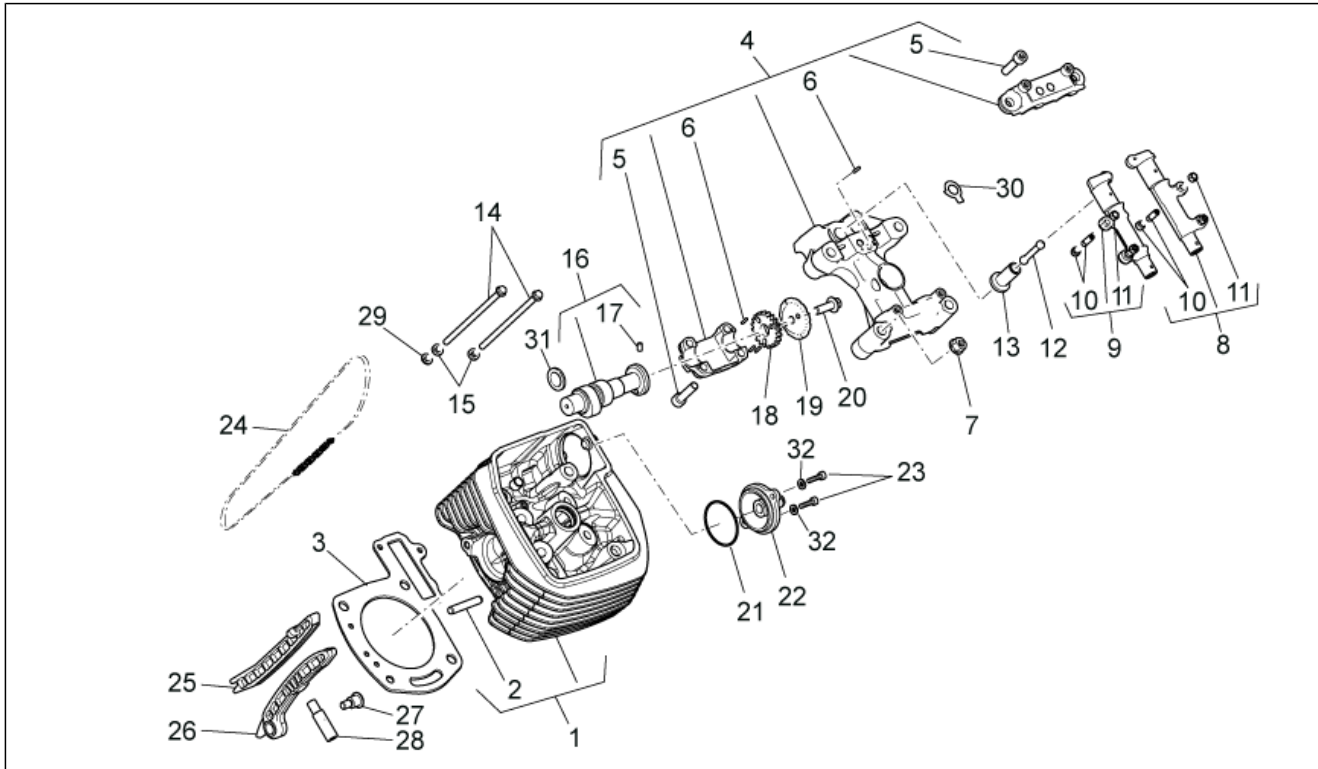


Group	ENGINE
Code	34.45
Description	LH cylinder timing system I
Service	1



Pos.	Code	Description	Qty	Variants
1	872755	LH cylinder head	1	Technical Specifications: ZGULSE - ZGULSJ - ZGULSU Chassis[V1]
1	878553	LH cylinder head	1	Technical Specifications: Chassis ZGULSG[V2]
2	827018	Exhaust pipe stud bolt M8X3X46	4	
3	874621	Cylinder head gasket 0,65 mm	2	
3	874622	Cylinder head gasket 0,85 mm	2	
3	976311	Cylinder head gasket 1,05 mm	2	
4	873425	LH.Rocker arm support	1	Technical Specifications: Old version[OLD]
4	880881	LH.Rocker arm support	1	Technical Specifications: New version[NEW]
5	015792	screw M8x30	6	
6	872759	Pin D. 2,5	4	
7	833520	Nut M10X1,25 6H	4	
8	976359	Rocker arm assy.	1	
9	976360	Rocker arm assy.	1	
10	873850	Adjuster screw	4	
11	484819	Nut	4	
12	873631	Rocker arm rod	2	
13	B014603	Bicchierino per punteria	2	
14	487444	Screw w/ flange M6x120	2	
15	976674	Plain washer 12x6,1x2	2	
16	873873	Camshaft	1	Year: 2007[7], 2008[8], 2009[9] Technical Specifications: ZGULSE - ZGULSJ - ZGULSU Chassis[V1]
16	8776384	Camshaft	1	Year: 2010[A] Technical Specifications: Chassis ZGULSG[V2]
17	976589	Pin	1	
18	976350	Timing gear	1	
19	874601	sheet oil breather	1	
20	843060	Screw w/ flange	1	

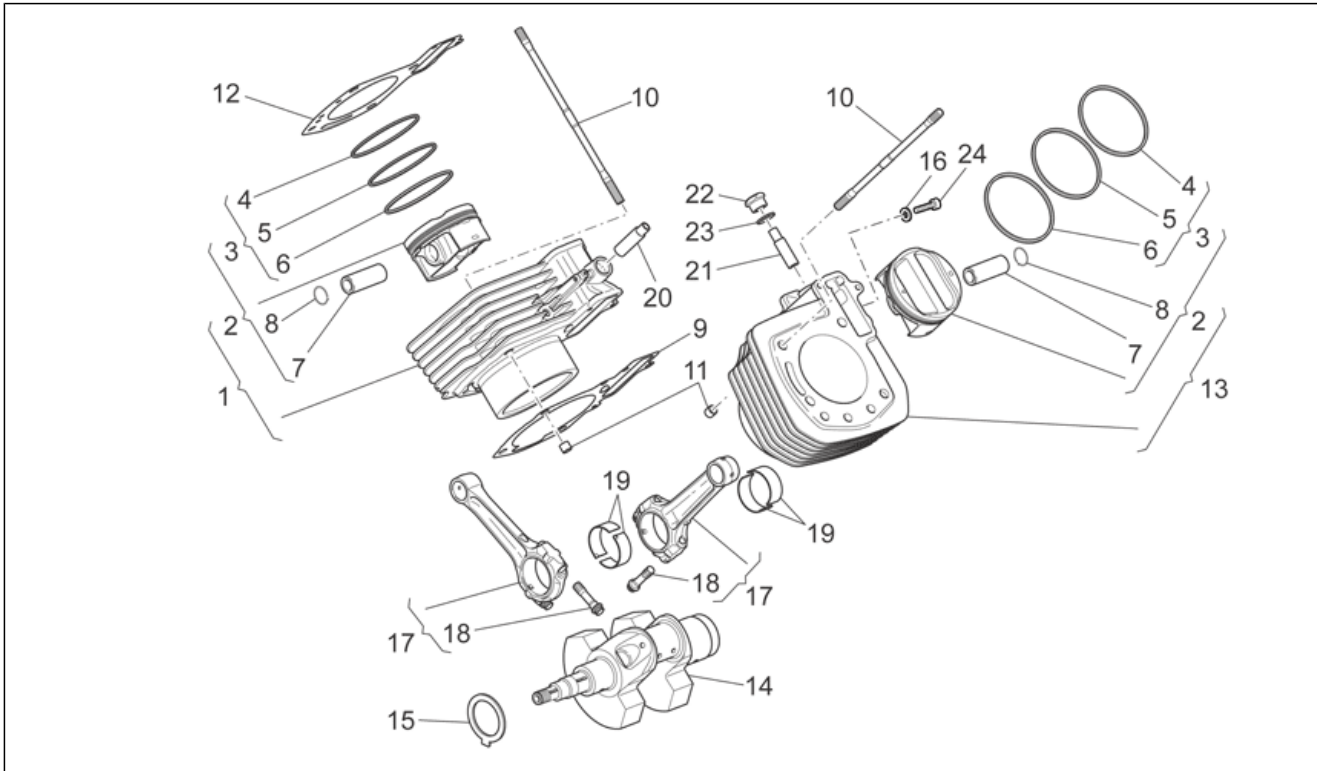
Group	ENGINE
Code	34.45
Description	LH cylinder timing system I
Service	1



Pos.	Code	Description	Qty	Variants
21	872814	O-ring 47,35X1,78	1	Technical Specifications: ZGULSE - ZGULSJ - ZGULSU Chassis[V1]
21	976584	O-ring 44.17X1.78	1	Technical Specifications: Chassis ZGULSG[V2]
22	874521	Breather cover cpl.	1	Technical Specifications: ZGULSE - ZGULSJ - ZGULSU Chassis[V1]
22	976690	Breather cover cpl.	1	Technical Specifications: Chassis ZGULSG[V2]
23	GU98350210	Hex socket screw	2	Technical Specifications: ZGULSE - ZGULSJ - ZGULSU Chassis[V1]
23	GU98622214	screw	1	Technical Specifications: Chassis ZGULSG[V2]
24	976341	Camshaft chain	1	
25	976338	Chain guide plate	1	
26	976337	Chain tensioner sliding block	1	
27	974228	Spacer screw	1	
28	873690	LH chain tensioner	1	
29	244585	Spacer	1	
30	874805	Plate	1	
31	CM162701	Spacer 1,06	1	
31	CM162702	Spacer 1,08	1	
31	CM162703	Spacer 1,10	1	
31	CM162704	Spacer 1,12	1	
31	CM162705	Spacer 1,14	1	
32	GU95129100	Spring washer 5,3X10X0,5	1	Technical Specifications: Chassis ZGULSG[V2]



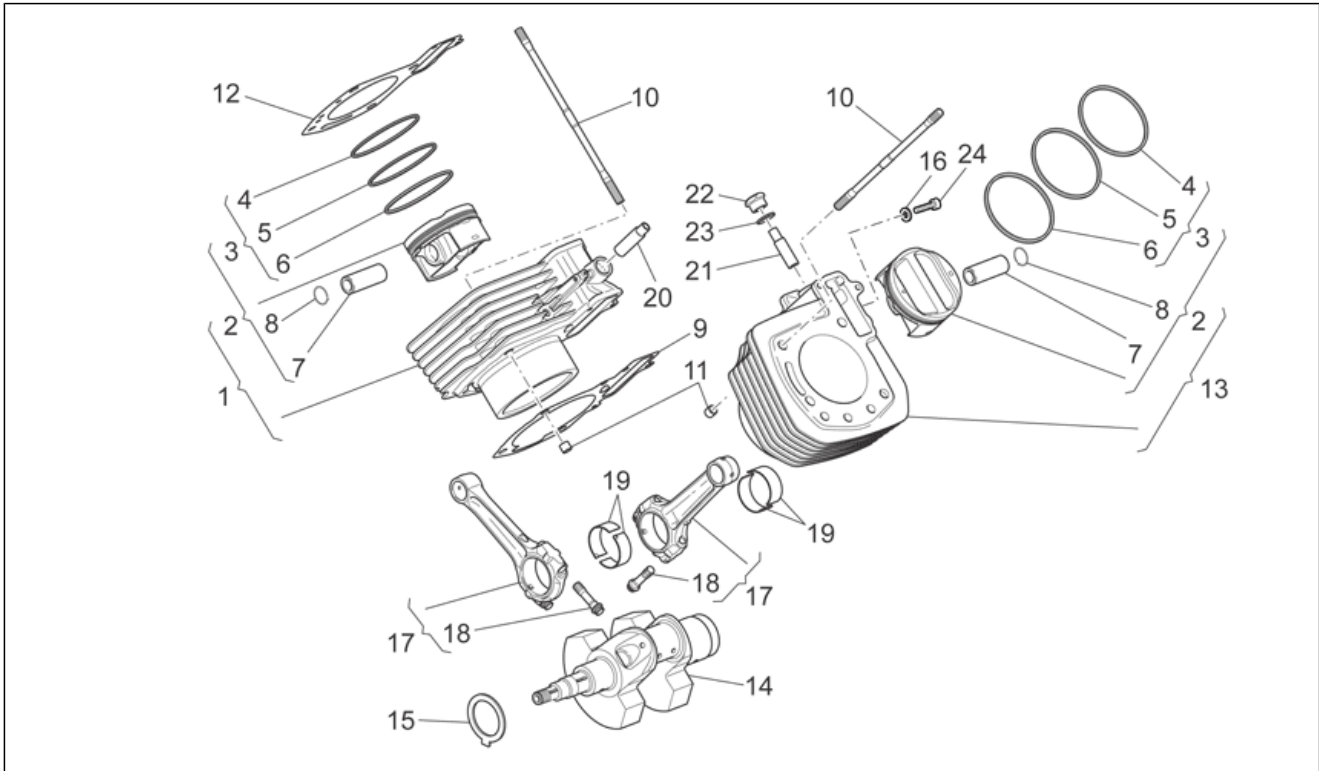
Group	ENGINE
Code	34.46
Description	Drive shaft - Cylinder
Service	1



Pos.	Code	Description	Qty	Variants
1	981008	Cylinder with piston assy., RH	1	
2	873667	Piston D95 cpl	2	
3	981009	Pistonring set	2	
4	874287	Piston ring	2	
5	874288	Piston ring	2	
6	874289	Piston ring	2	
7	874286	Piston pin	2	
8	874567	Stop ring	4	
9	976312	Cylinder base gasket	2	
10	976304	Stud bolt	8	
11	825597	Pin 11,8X10	4	
12	874621	Cylinder head gasket 0,65 mm	2	
12	874622	Cylinder head gasket 0,85 mm	2	
12	976311	Cylinder head gasket 1,05 mm	2	
13	981007	Cylinder with piston assy., LH	1	
14	B0133785001	Shaft assy	1	Technical Specifications:Colore selezione Marrone[C1]
14	B0133785002	Shaft assy	1	Technical Specifications:Colore selezione Verde[C2]
14	B0133785003	Shaft assy	1	Technical Specifications:Colore selezione Nero[C3]
15	874293	Thrust washer	1	
16	GU95100116	Washer 6,25x10x1,5	2	
17	8783390001	Connecting rod cpl.	2	Technical Specifications:Colore selezione Marrone[C1]
17	8783390002	Connecting rod cpl.	2	Technical Specifications:Colore selezione Verde[C2]
17	8783390003	Connecting rod cpl.	2	Technical Specifications:Colore selezione Nero[C3]
18	849131	Connecting rod screw	4	
19	875243	Bearing half-shell 1,535-1,540	4	Technical Specifications:Red sign[RS]
19	875244	Bearing half-shell 1,539-1,544	4	Technical Specifications:Blue sign[BS]
20	873689	RH chain tensioner	1	
21	873690	LH chain tensioner	1	

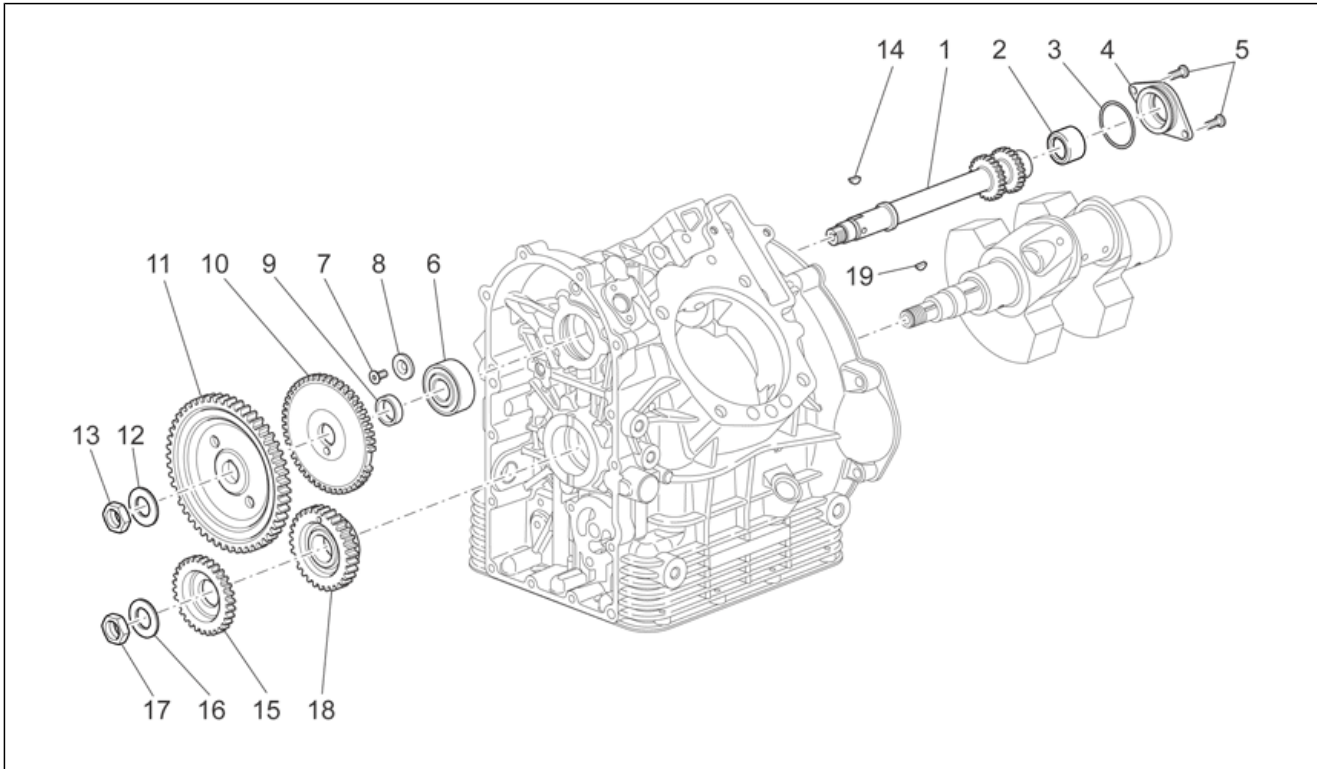


Group	ENGINE
Code	34.46
Description	Drive shaft - Cylinder
Service	1



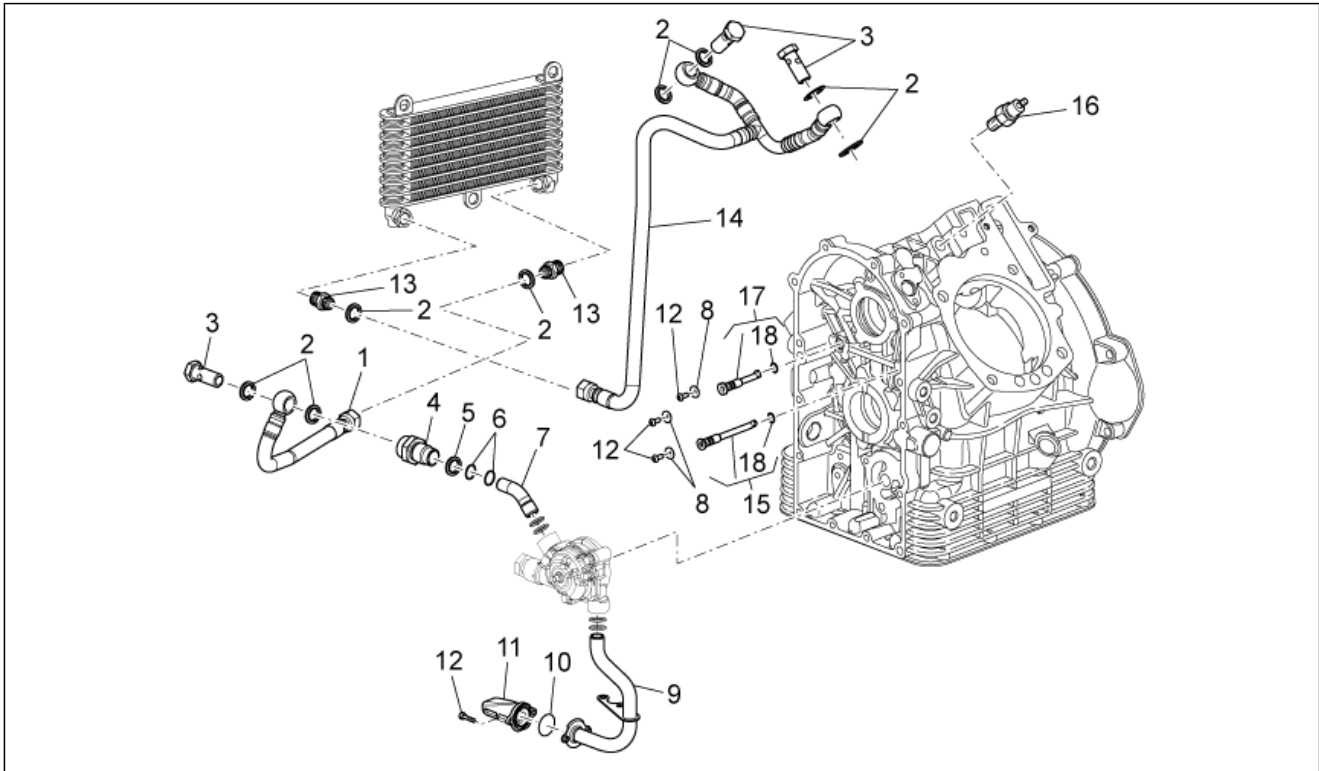
Pos.	Code	Description	Qty	Variants
22	976342	Chain tension.plug	2	
23	849866	Washer	2	
24	GU98350310	Hex socket screw M6x20	2	

Group	ENGINE
Code	34.47
Description	Timing system
Service	1



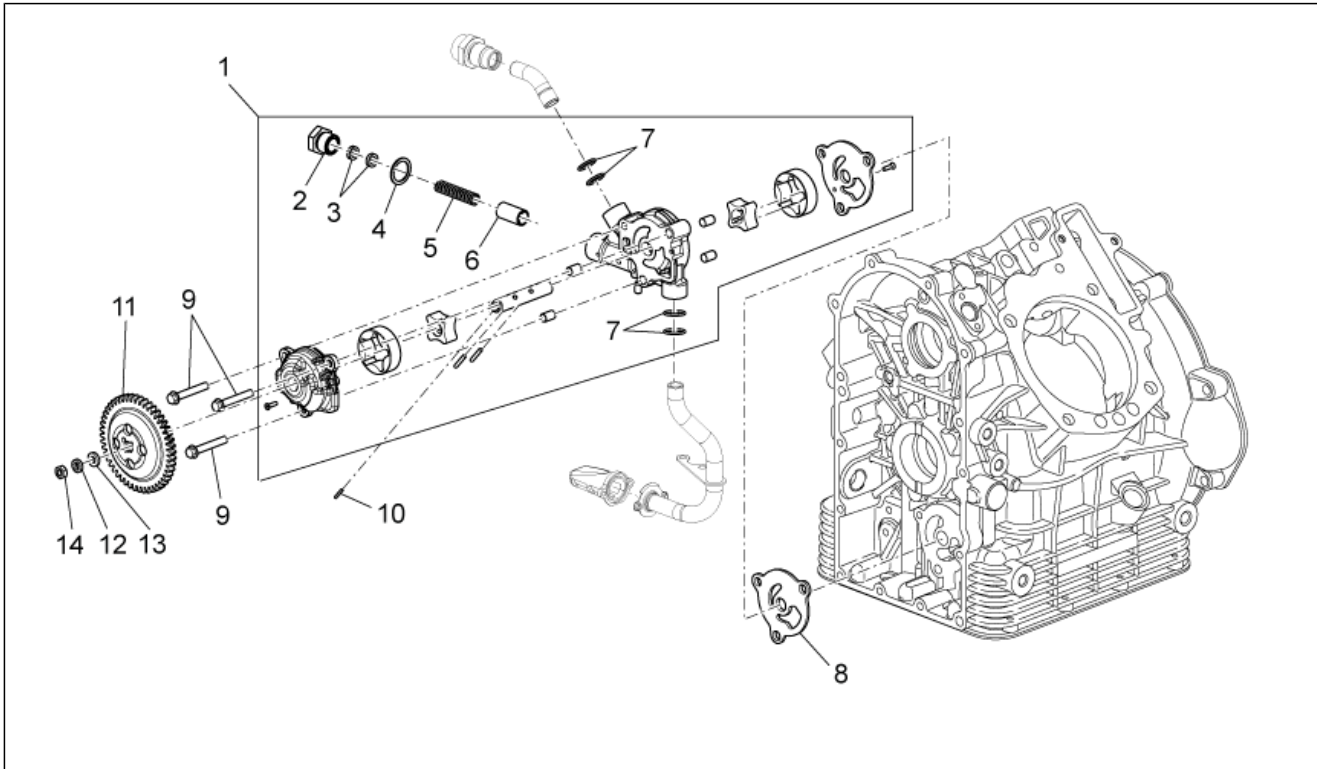
Pos.	Code	Description	Qty	Variants
1	976330	Timing system	1	
2	976381	Roller cage 25x32x12	1	
3	976488	O-ring 37,82x1,78	1	
4	976331	Flange	1	
5	GU98350315	Hex socket screw M6x14	2	
6	976355	Ball bearing 20x47x18	1	
7	AP8152166	screw M6x16	2	
8	873928	Washer	1	
9	976334	Spacer	1	
10	976538	Wheel speed sensor, left front	1	
11	874281	Timing system gear	1	
12	GU14433400	Spring washer 19x34x1,5	1	
13	GU92750180	Nut M18	1	
14	GU91600450	Transmission key	1	
15	874799	Drive gear	1	
16	976665	Belleville spring	1	
17	GU92602525	Nut M25	1	
18	874280	Drive gear	1	
19	GU91600365	Transmission key 3x6,5	1	

Group	ENGINE
Code	34.48
Description	Lubrication
Service	1



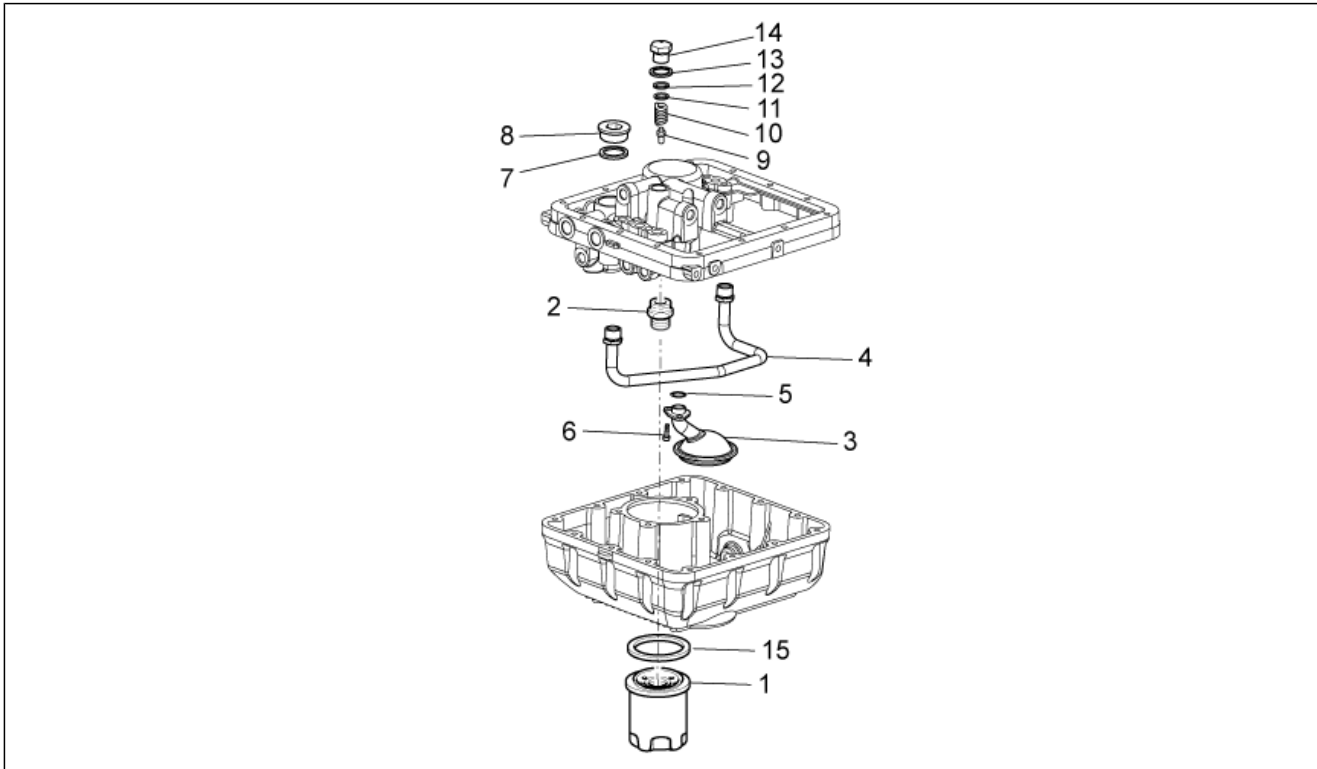
Pos.	Code	Description	Qty	Variants
1	874680	Pipe	1	
2	GU01154230	Gasket	8	
3	874223	Bored screw	3	
4	874669	Nipple	1	
5	118737	Gasket	1	
6	434947	O-ring 12,42x1	2	
7	874646	Oil pipe	1	
8	013763	Flat washer 4,2x12x1	3	
9	874645	Intake pipe	1	
10	969323	O-ring	1	
11	874655	Intake oil filter	1	
12	581957	Hex socket screw	5	
13	GU01161331	Reduction	2	
14	874716	Pipe	1	
15	874240	LH Nozzle	1	
16	978854	Pressure sensor	1	
17	874239	RH Nozzle	1	
18	874238	O-ring	4	

Group	ENGINE
Code	34.49
Description	Oil pump
Service	1



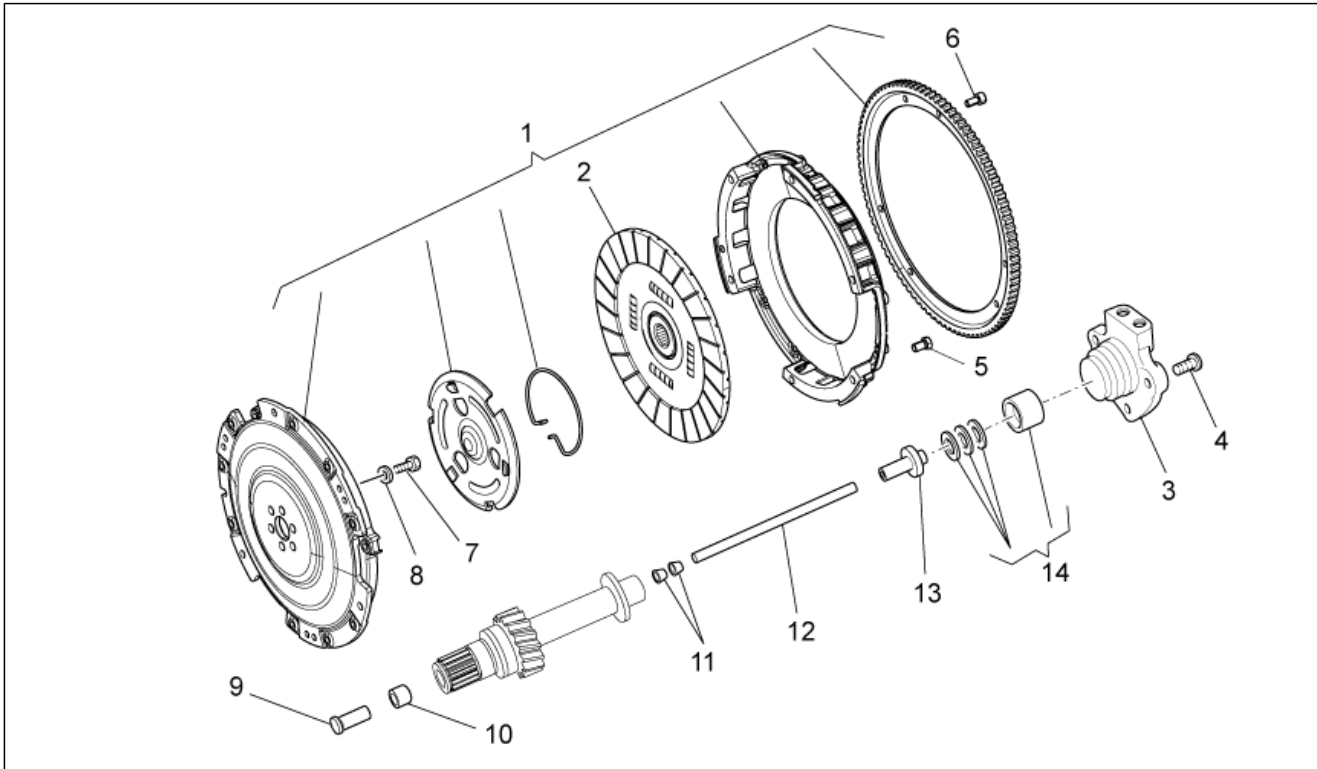
Pos.	Code	Description	Qty	Variants
1	874650	Oil pump assy.	1	
2	GU31159050	Cover	1	
3	GU30158900	Washer	2	
4	GU18144350	Washer 18,25x24x1	1	
5	829486	Spring	1	
6	829661	Oil pressure valve	1	
7	237553	O-ring	4	
8	874482	Gasket	1	
9	414835	screw	3	
10	874801	Pin 2x13,8	1	
11	874616	Oil pump gear	1	
12	GU03013800	Washer 6,4x12	1	
13	GU95005306	Washer 6,4x13x1,5	1	
14	873906	Low nut	1	

Group	ENGINE
Code	34.50
Description	Oil filters
Service	1



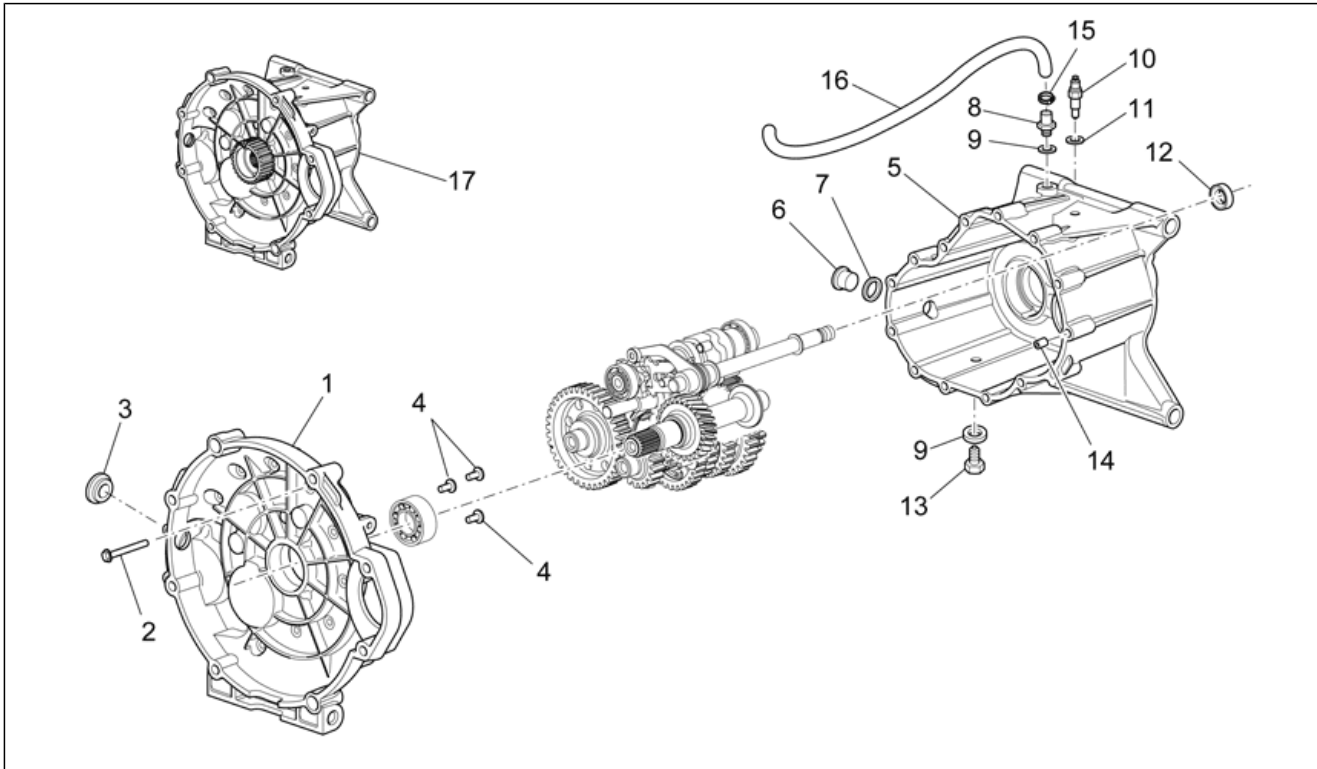
Pos.	Code	Description	Qty	Variants
1	GU30153000	Oil filter	1	
2	829122	Oil filter union	1	
3	GU05152230	Oil filter	1	
4	GU05005730	pipe	1	
5	GU90706151	O-ring 15,08x2,62viton	1	
6	877820	Hex socket screw M6x18	2	
7	GU01163700	Copper gasket	1	
8	GU01163600	Cover	1	
9	GU30150900	Piston	1	
10	GU94321077	Spring	1	
11	GU95008206	Washer 6,15x11x0,8	2	
12	GU30158900	Washer	1	
13	GU18144350	Washer 18,25x24x1	1	
14	GU31159050	Cover	1	
15	981115	Gasket	1	Technical Specifications: Ref. Technical communication n.... [CT1]

Group	ENGINE
Code	34.51
Description	Clutch
Service	1



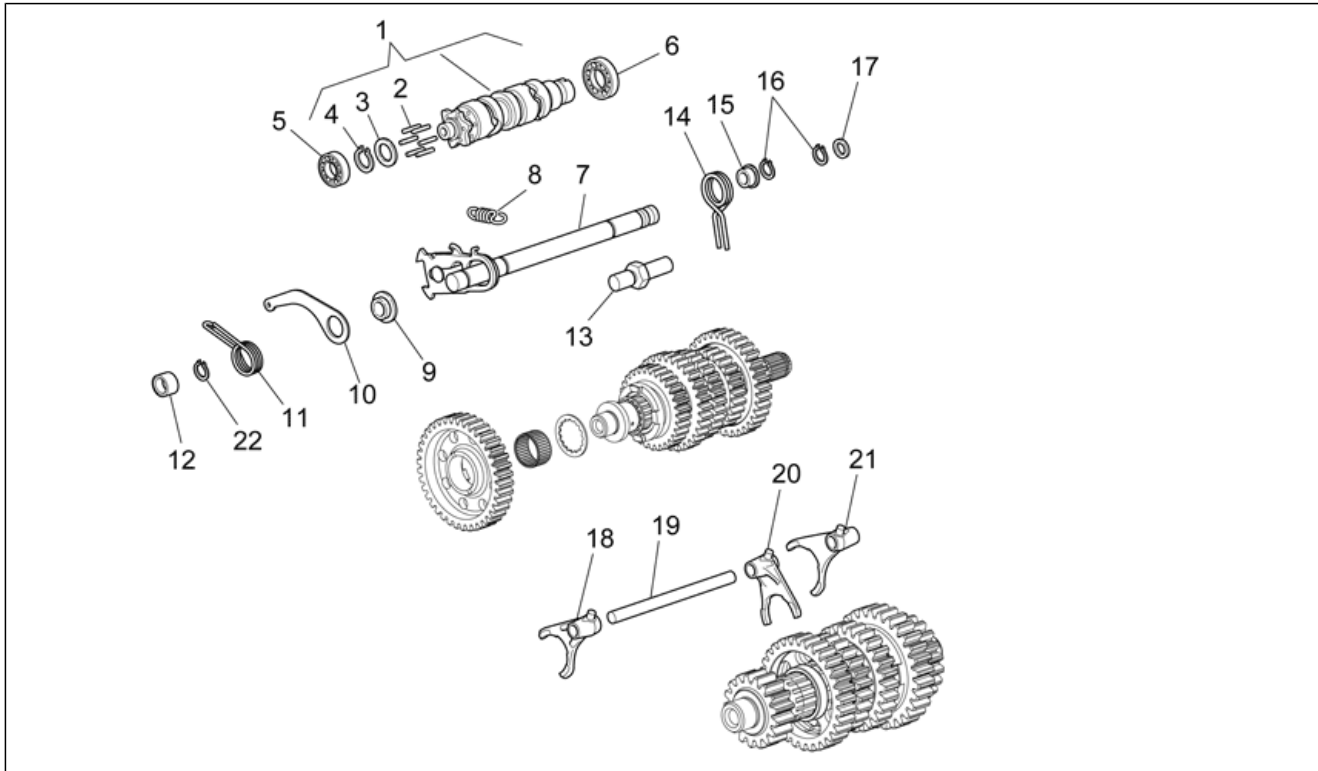
Pos.	Code	Description	Qty	Variants
1	976023	Clutch cpl.	1	
2	976053	Clutch disc	1	
3	978739	Clutch command cylinder	1	
4	AP8152278	Screw w/ flange M6x16	3	
5	976535	Hex socket screw M7x16	6	
6	GU98230612	screw	6	
7	976481	Screw w/ flange M8x25	6	
8	976484	Conical spring washer 8,2X15	1	
9	976563	Clutch drive tapped	1	
10	976564	Bushing	1	
11	GU14085900	Bush	2	
12	976593	Rod L=mm183	1	Technical Specifications: An identification cut[1T]
12	976594	Rod L=mm184,5	1	Technical Specifications: Two identification cuts[2T]
12	976595	Rod L=mm186	1	Technical Specifications: Three identification cuts[3T]
12	976596	Rod L=mm187,5	1	Technical Specifications: Four identification cuts[4T]
12	B0630111	Asta L=mm 1 185	1	Technical Specifications: Cinque tagli di identificazione[5T]
12	B063012	Asta L=mm 185,5	1	Technical Specifications: Sei tagli di identificazione[6T]
13	GU14086000	Inner body	1	
14	976696	Engine bearing set	1	

Group	ENGINE
Code	34.52
Description	Transmission cage
Service	1



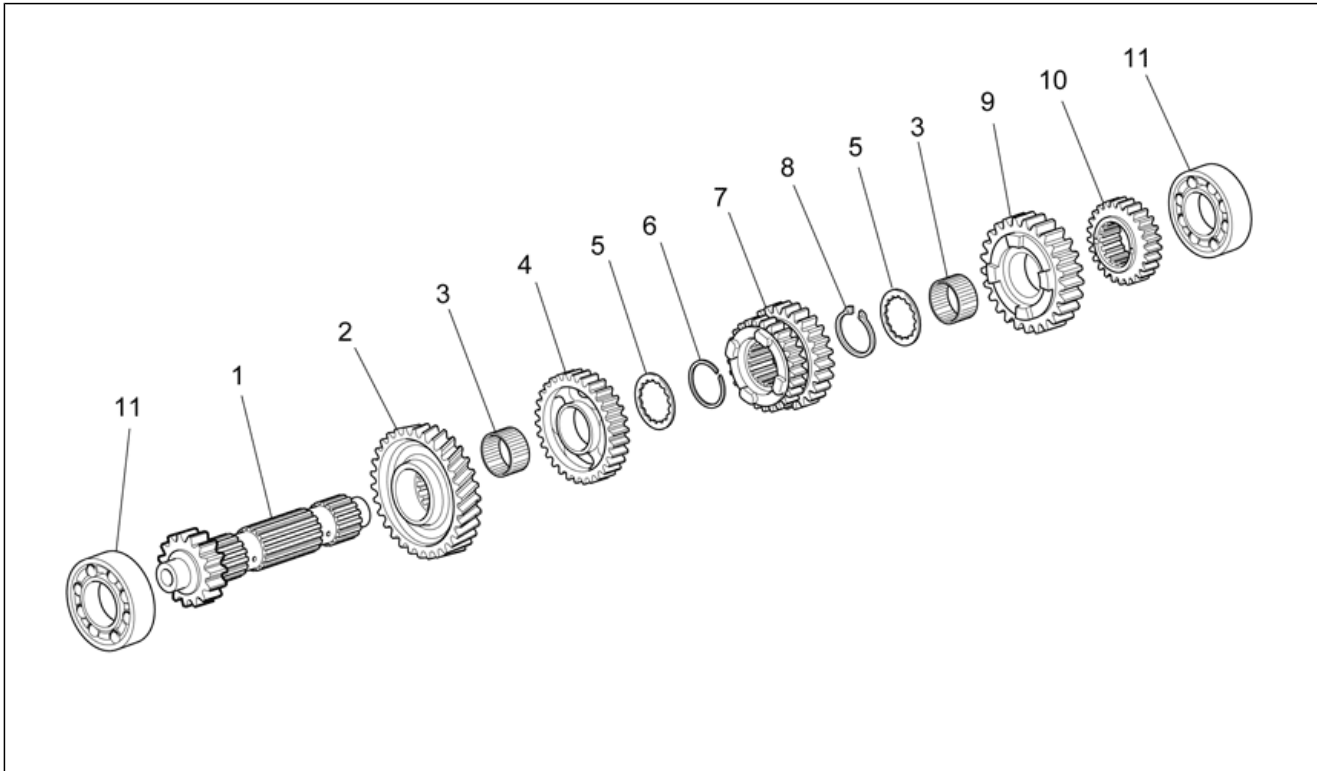
Pos.	Code	Description	Qty	Variants
1	976453	Clutch drum nero	1	
2	GU97202355	Screw w/ flange M6x55	14	
3	GU93180220	Cover	1	
4	GU98370616	Hex socket screw M6x16 inox	3	
5	879869	Transmission cage	1	
6	GU95980319	Oil plug M18x1,5	1	
7	GU18144350	Washer 18,25x24x1	1	
8	GU05204930	Breather plug	1	
9	GU01528930	Gasket 10x18x1,5	2	
10	GU19207220	Sensor	1	
11	B063025	Guarnizione 8,7x14,2x1,3	1	
12	GU90401424	Gasket ring 14x24x7	1	
13	GU31003766	Oil unload plug M10x1	1	
14	GU19002020	Bushing 6,6x9x13	2	
15	AP8101595	Hose clamp D10,1	1	
16	AP8120952	Fuel pipe 5,5x10	1	
17	976934	Gear box assy	1	

Group	ENGINE
Code	34.53
Description	Gear box selector
Service	1



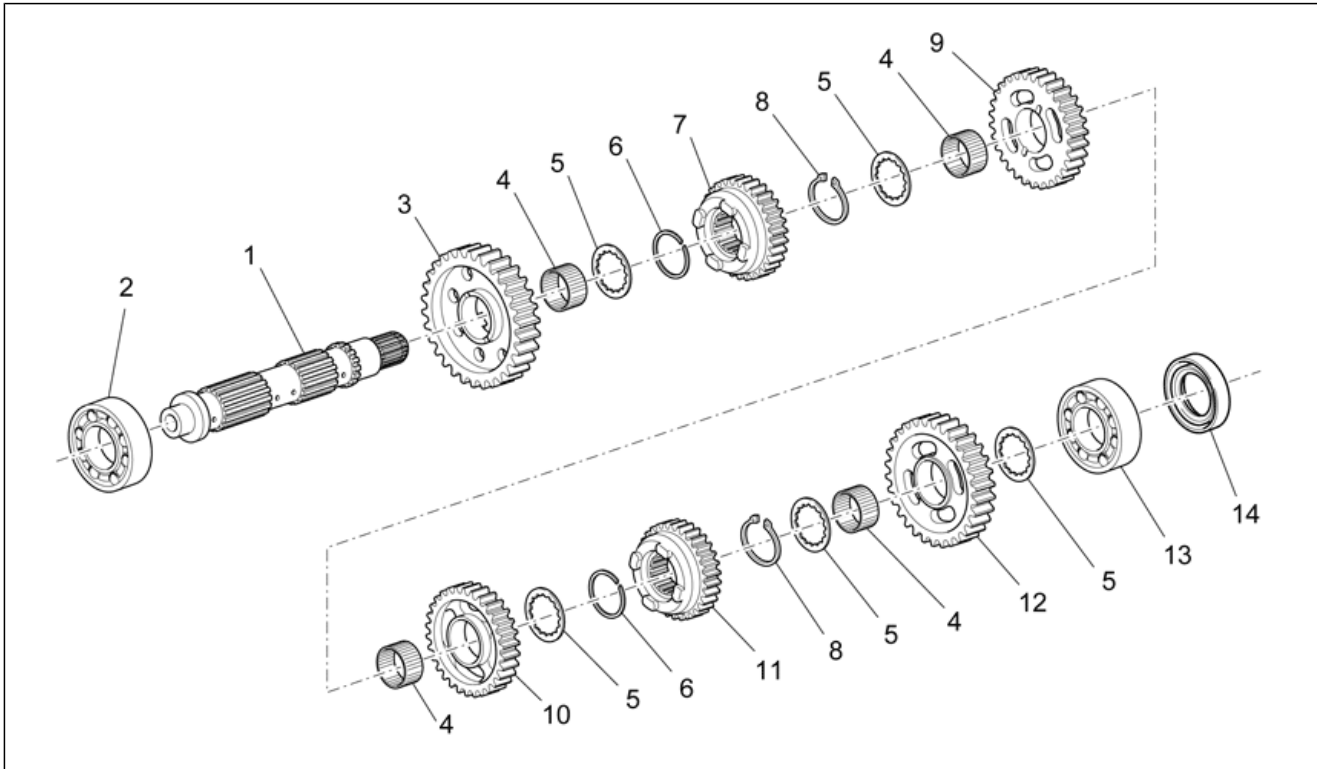
Pos.	Code	Description	Qty	Variants
1	GU05234431	Shift cam cpl.	1	
2	GU05234631	Pin	6	
3	GU05235531	Spacer	1	
4	GU90271022	Circlip	1	
5	GU92201117	Ball bearing 17x35x10	1	
6	GU92201025	Ball bearing 25x42x9	1	
7	GU05236231	Preselection complete	1	
8	GU05238231	Spring	1	
9	GU05238431	Bushing	1	
10	GU05234731	Lever Index	1	
11	GU05234130	Spring	1	
12	GU05234230	Spacer	1	
13	GU05234931	Fixing pin	1	
14	GU05238331	Spring	1	
15	GU05238131	Spacer	1	
16	GU90271014	Circlip	2	
17	GU05239330	Fifth wheel	1	
18	GU05230531	Fork 1a-3a	1	
19	GU05232431	Fork shaft	1	
20	GU05232631	Fork 5a-6a	1	
21	GU05230831	Fork 2a-4a	1	
22	GU90353014	Circlip	1	

Group	ENGINE
Code	34.54
Description	Primary gear shaft
Service	1



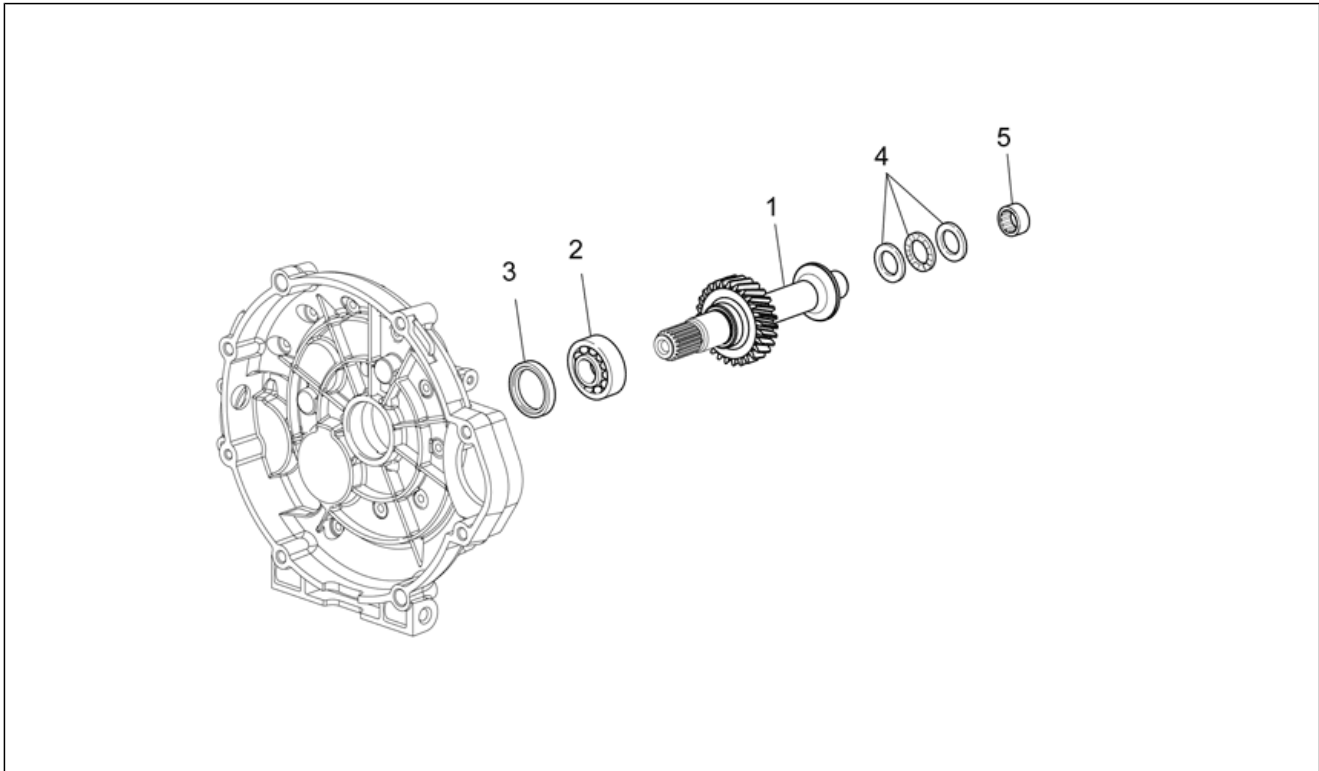
Pos.	Code	Description	Qty	Variants
1	GU05210631	Primary gear shaft Z=17	1	
2	GU05215631	Drive gears Z=35	1	
3	GU92252029	Roller cage 26x30x15,6	2	
4	GU05212031	Gear 5a Z=31	1	
5	GU05214630	Clearance washer	2	
6	GU90271230	Snap ring 30x1,2SW	1	
7	GU05211431	Gear 3a-4a Z=23-26	1	
8	GU90271030	Snap ring 30x27,9	1	
9	GU05212631	Gear 6a Z=29	1	
10	GU05211331	Gear 2a Z=20	1	
11	GU92201822	Ball bearing 20x52x15	2	

Group	ENGINE
Code	34.55
Description	Driven shaft
Service	1



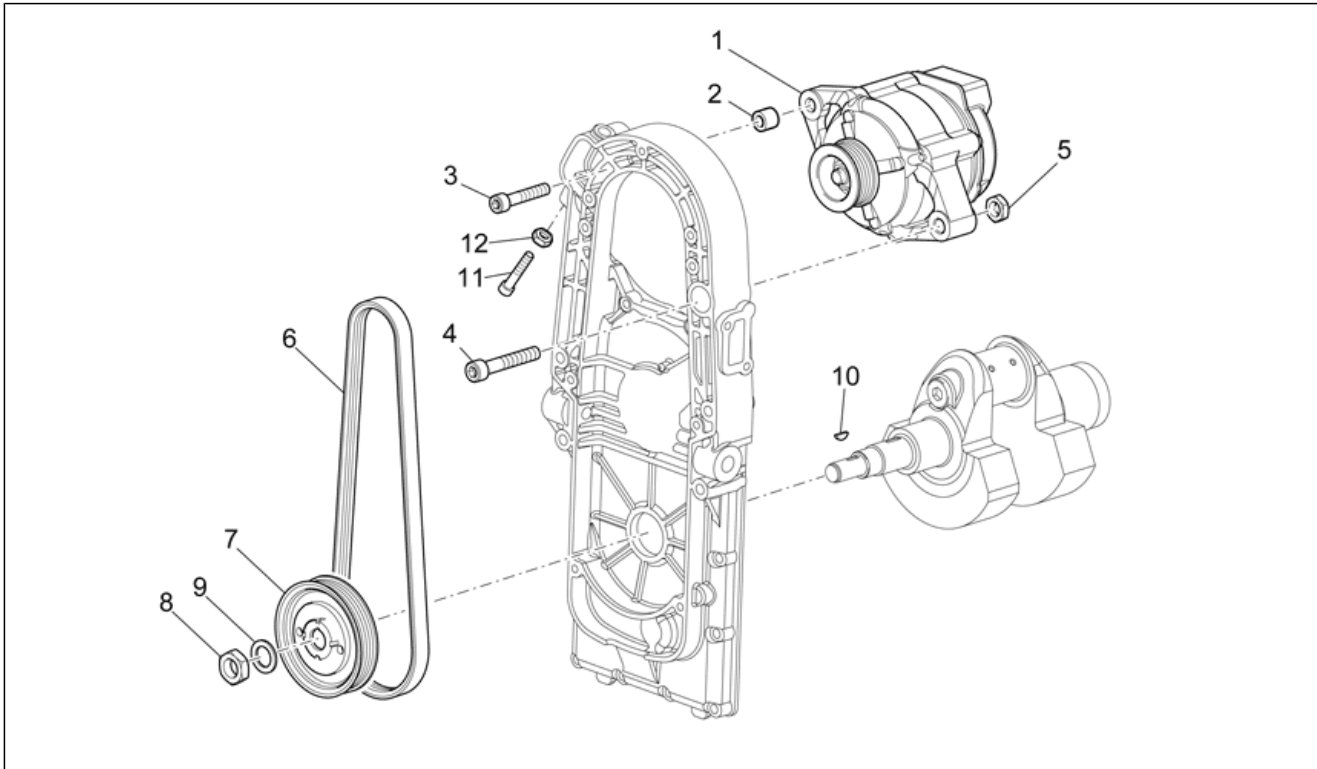
Pos.	Code	Description	Qty	Variants
1	GU05213631	Driven shaft	1	
2	GU92201822	Ball bearing 20x52x15	1	
3	GU05214231	Gear 1a Z=38	1	
4	GU92252029	Roller cage 26x30x15,6	4	
5	GU05214630	Clearance washer	5	
6	GU90271230	Snap ring 30x1,25W	2	
7	GU05214031	Gear 5a Z=30	1	
8	GU90271030	Snap ring 30x27,9	2	
9	GU05214731	Gear 3a Z=31	1	
10	GU05215031	Gear 4a Z=29	1	
11	GU05220531	Gear 6a Z=25	1	
12	GU05214431	Gear 2a Z=34	1	
13	GU92201226	Ball bearing 25x52x15	1	
14	GU90412541	Gasket ring 25X40X7	1	

Group	ENGINE
Code	34.56
Description	Clutch shaft
Service	1



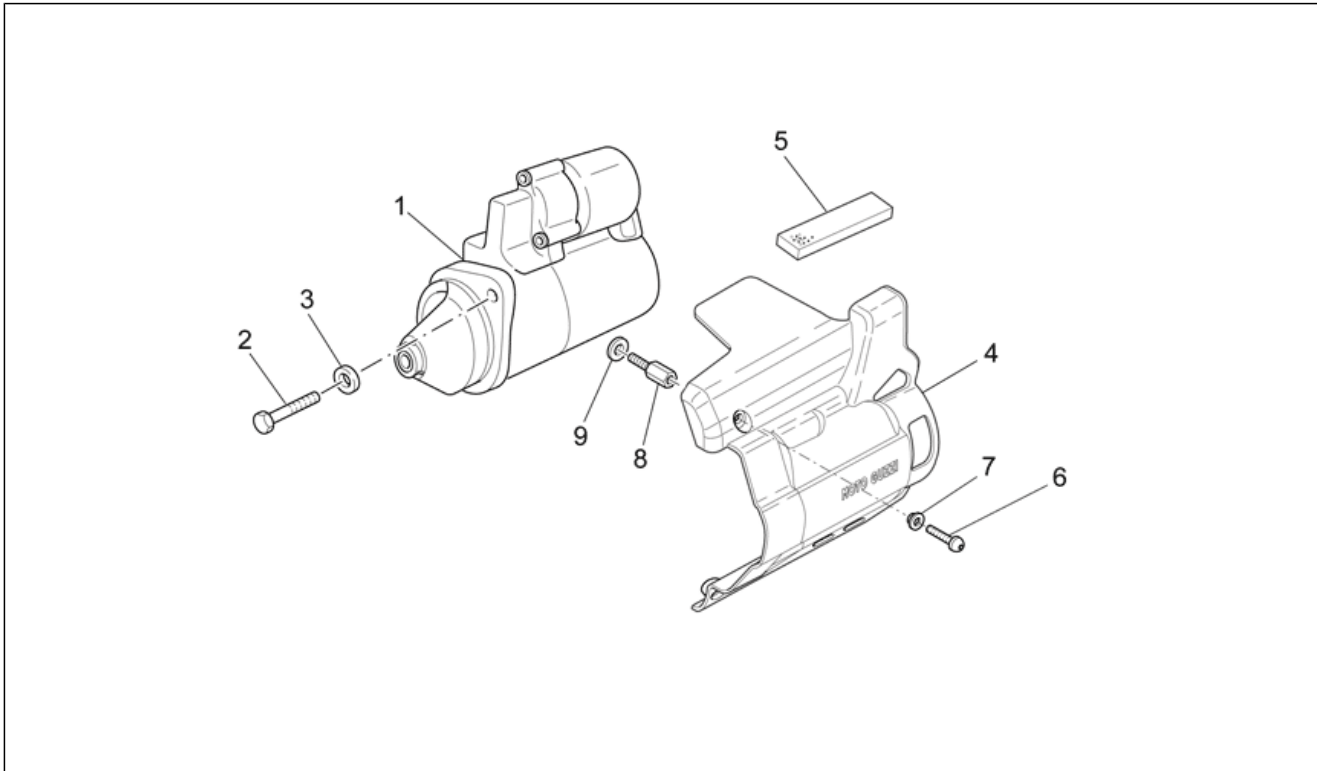
Pos.	Code	Description	Qty	Variants
1	976351	Clutch shaft Z=26	1	
2	GU92201226	Ball bearing 25x52x15	1	
3	976533	Gasket ring 25x47x7	1	
4	976532	Thrust bearing	1	
5	GU92232028	Roller bearing 20x28x13	1	

Group	ENGINE
Code	34.57
Description	Current generator
Service	1



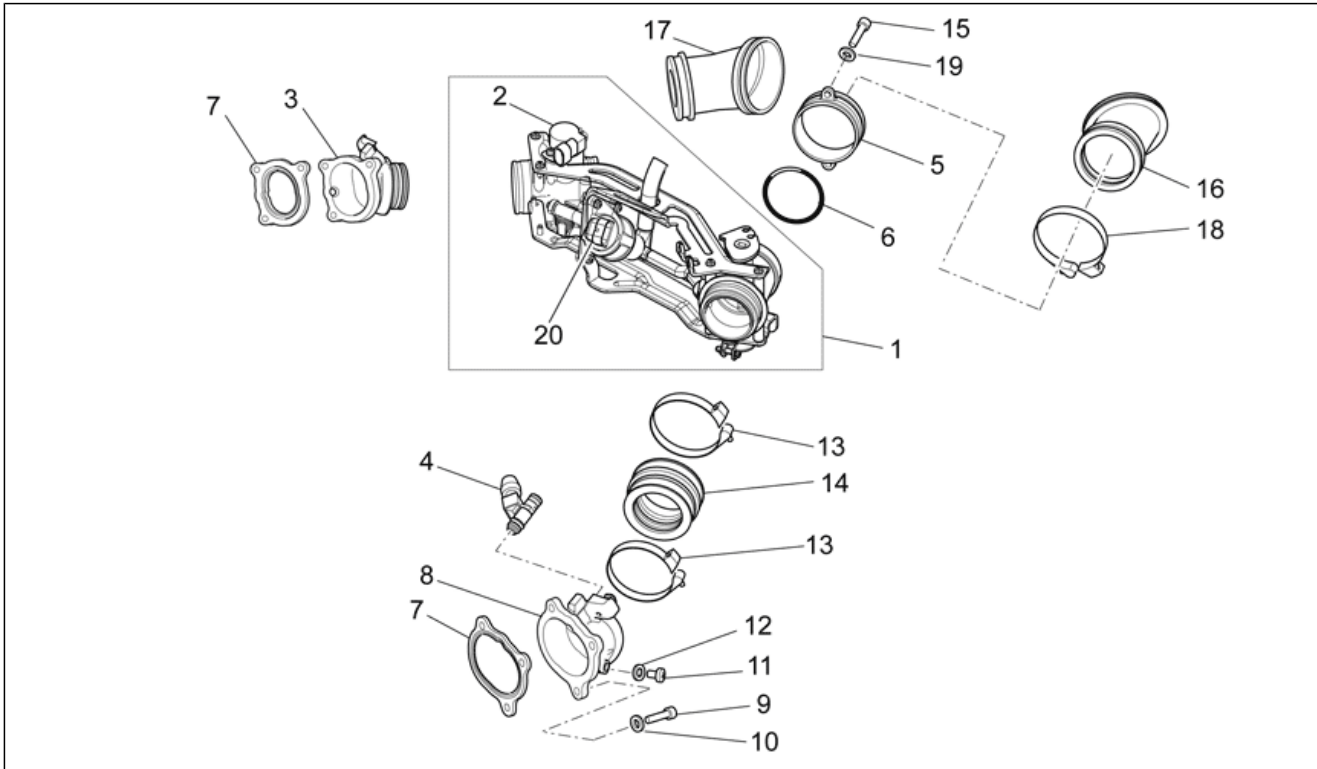
Pos.	Code	Description	Qty	Variants
1	GU05712431	Generator	1	
2	GU91180823	Spacer 8,5x17x13	1	
3	GU98620445	Hex socket screw M8x45	1	
4	GU98620560	Hex socket screw M10x60	1	
5	GU92660012	Nut M10X1,5	1	
6	GU05702530	Belt	1	
7	GU05701430	Generator lever pulley	1	
8	GU92606516	Nut M16	1	
9	GU30714201	Washer 16,25x24,5x5	1	
10	GU4FAN000030	Flywheel magneto key	1	
11	GU98230850	Hex socket screw M8x50	1	
12	GU92605408	Nut M8x1,25	1	

Group	ENGINE
Code	34.58
Description	Starter motor
Service	1



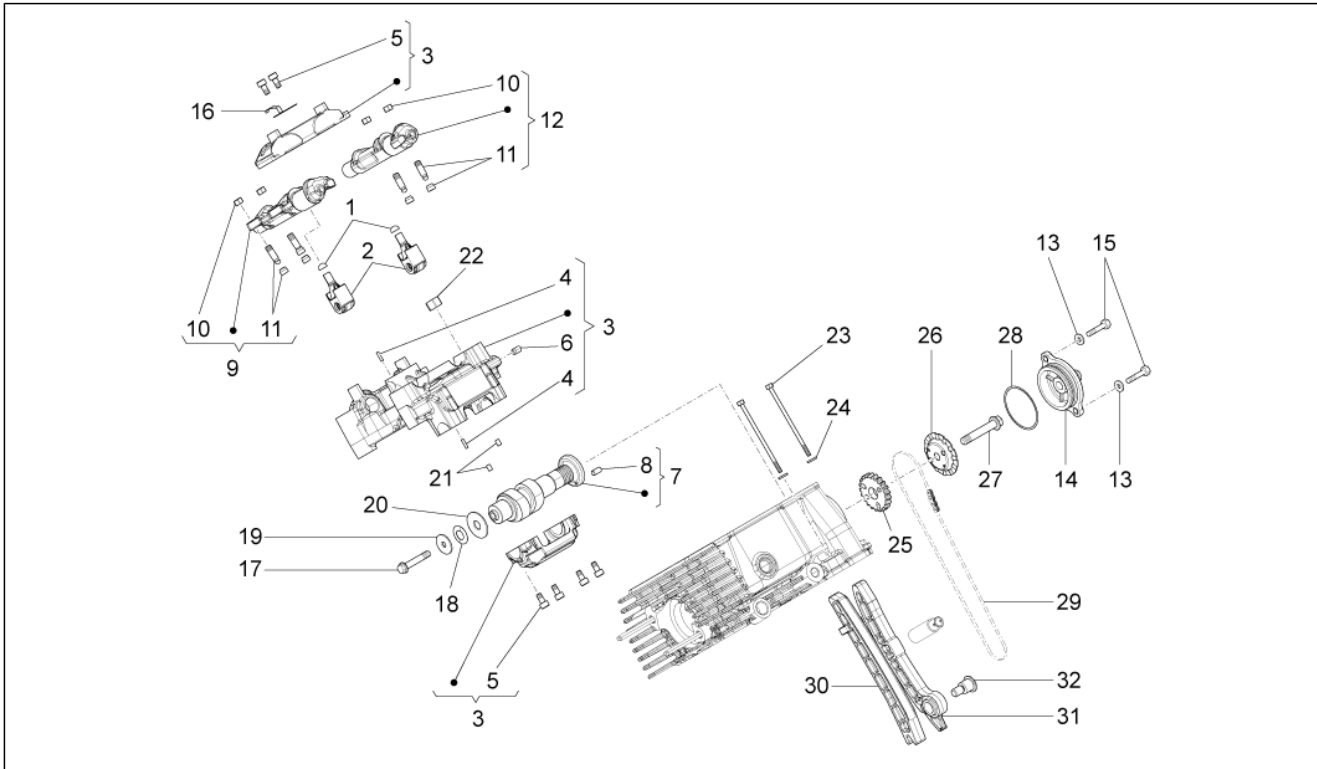
Pos.	Code	Description	Qty	Variants
1	GU05730730	Starter motor Bosch	1	
2	GU98082475	Hex screw M8x75	2	
3	GU03270300	Washer 8,4x15	2	
4	GU05733330	Cover chrome grey	1	
5	AP8117200	Adhesive sponge	1	
6	GU98370609	Hex socket screw M6x10	2	
7	AP8121032	Bush	2	
8	GU03469201	Stud bolt	1	
9	GU03013800	Washer 6,4x12	1	

Group	ENGINE
Code	34.59
Description	Throttle body
Service	1



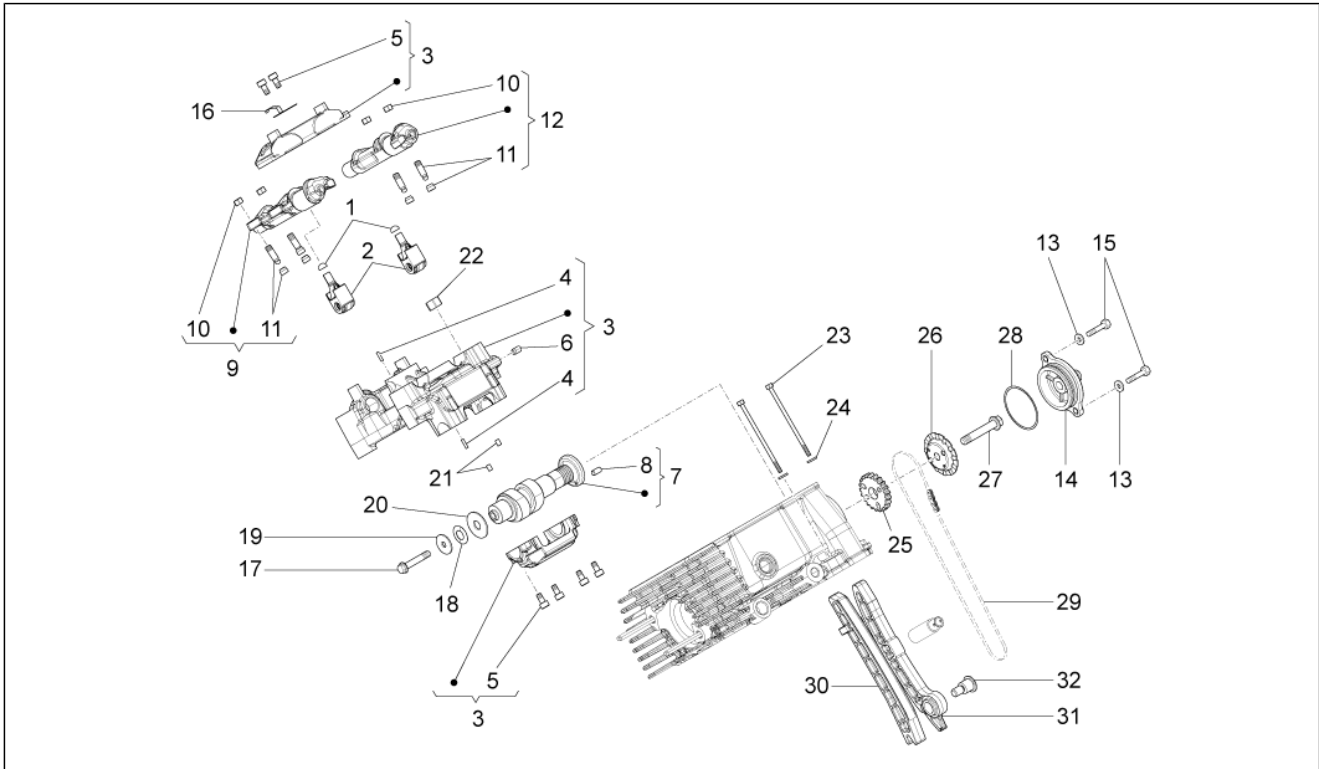
Pos.	Code	Description	Qty	Variants
1	873904	Throttle assy	1	
2	981010	Potentiometer	1	
3	873490	LH manifold	1	
4	976555	Injector kit complete	2	Technical Specifications: ZGULSE - ZGULSJ - ZGULSU Chassis[V1]
4	CM074706	Injector kit complete	2	Technical Specifications: Chassis ZGULSG[V2]
5	976498	Flange	2	
6	976534	O-ring 56,87x1,78	2	
7	873879	Inl. manifold gasket	2	
8	873491	RH manifold	1	
9	GU98370625	Hex socket screw	6	
10	GU95008206	Washer 6,15x11x0,8	6	
11	GU98350310	Hex socket screw M6x20	2	
12	GU95100116	Washer 6,25x10x1,5	2	
13	GU93305061	Hose clamp 61/65,5	4	
14	873861	Hose	2	
15	GU98682212	Hex socket screw M5x12	2	
16	976494	Intake hose LH	1	
17	976495	Intake hose RH	1	
18	GU12548201	Hose clamp 62/82 mm	2	
19	GU95008305	Washer 5,3X10X1	2	
20	981011	Min.regulation engine	1	

Group	ENGINE
Code	34.60
Description	RH cylinder timing system II
Service	1



Pos.	Code	Description	Qty	Variants
1	878574	Pad	2	
2	B016785	Tappet	2	
3	B017029	Rockers axle support DX	1	
4	872759	Pin D. 2,5	4	
5	015792	screw M8x30	6	
6	842360	Plug M6x10	1	
7	B014576	Cam axle	1	
8	976589	Pin	1	
9	B0136034	Bilanciere aspirazione sx scarico dx	1	
10	879916	Rocker arm adjuster nut	4	
11	879707	Adjuster screw	4	
12	B0136054	Bilanciere aspirazione dx scarico sx	1	
13	GU95129100	Spring washer 5,3X10X0,5	2	
14	B013479	Breather cover cpl.	1	
15	GU98622214	screw	2	
16	B013661	Plate	1	
17	414837	Screw w/ flange M6x25	1	
18	879938	Belleville spring	1	
19	879936	Shim washer	1	
20	879937	Shim washer	1	
21	B013552	Roller	2	
22	833520	Nut M10X1,25 6H	8	
23	487444	Screw w/ flange M6x120	2	
24	976674	Plain washer 12x6,1x2	2	
25	976350	Timing gear	1	
26	874601	sheet oil breather	1	
27	843060	Screw w/ flange	1	
28	880965	Gasket ring 2,62x46,52	0	

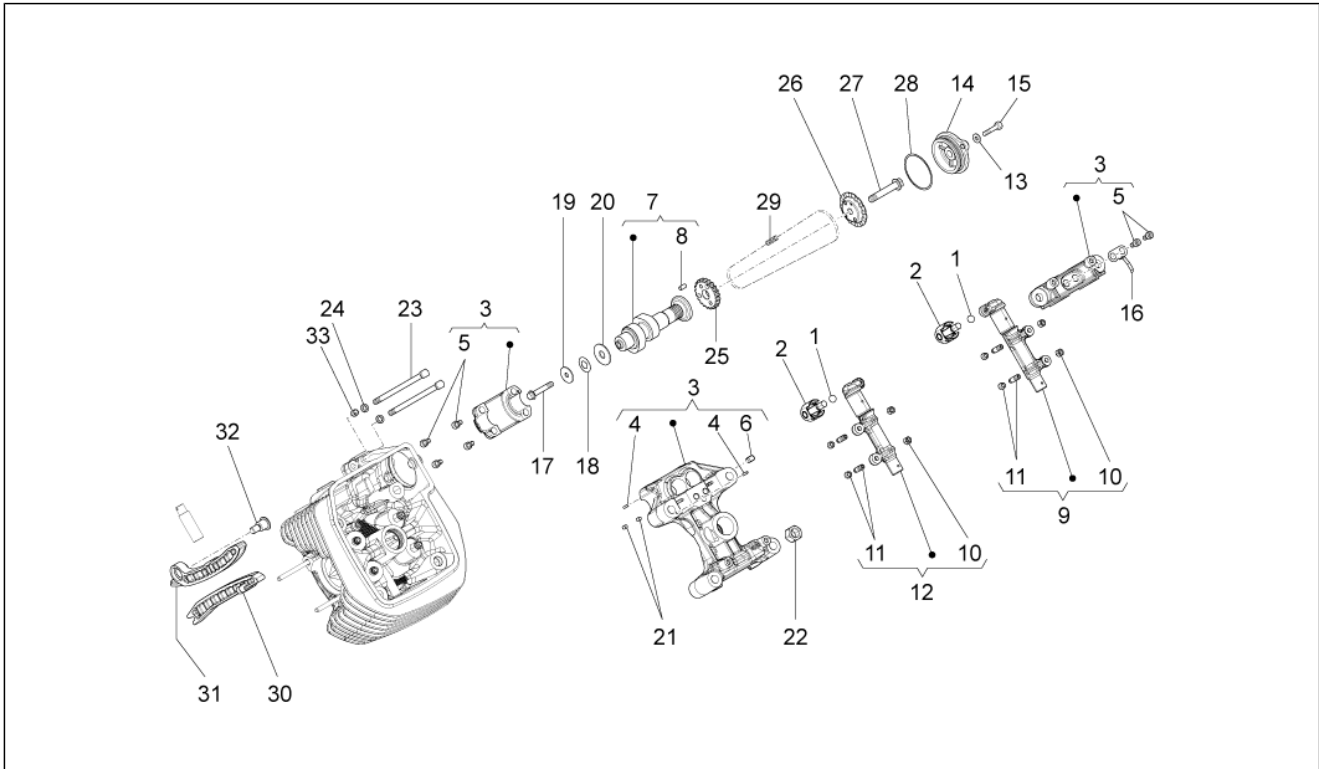
Group	ENGINE
Code	34.60
Description	RH cylinder timing system II
Service	1



Pos.	Code	Description	Qty	Variants
29	976341	Camshaft chain	1	
30	976338	Chain guide plate	1	
31	976337	Chain tensioner sliding block	1	
32	878868	Spacer screw M8	1	

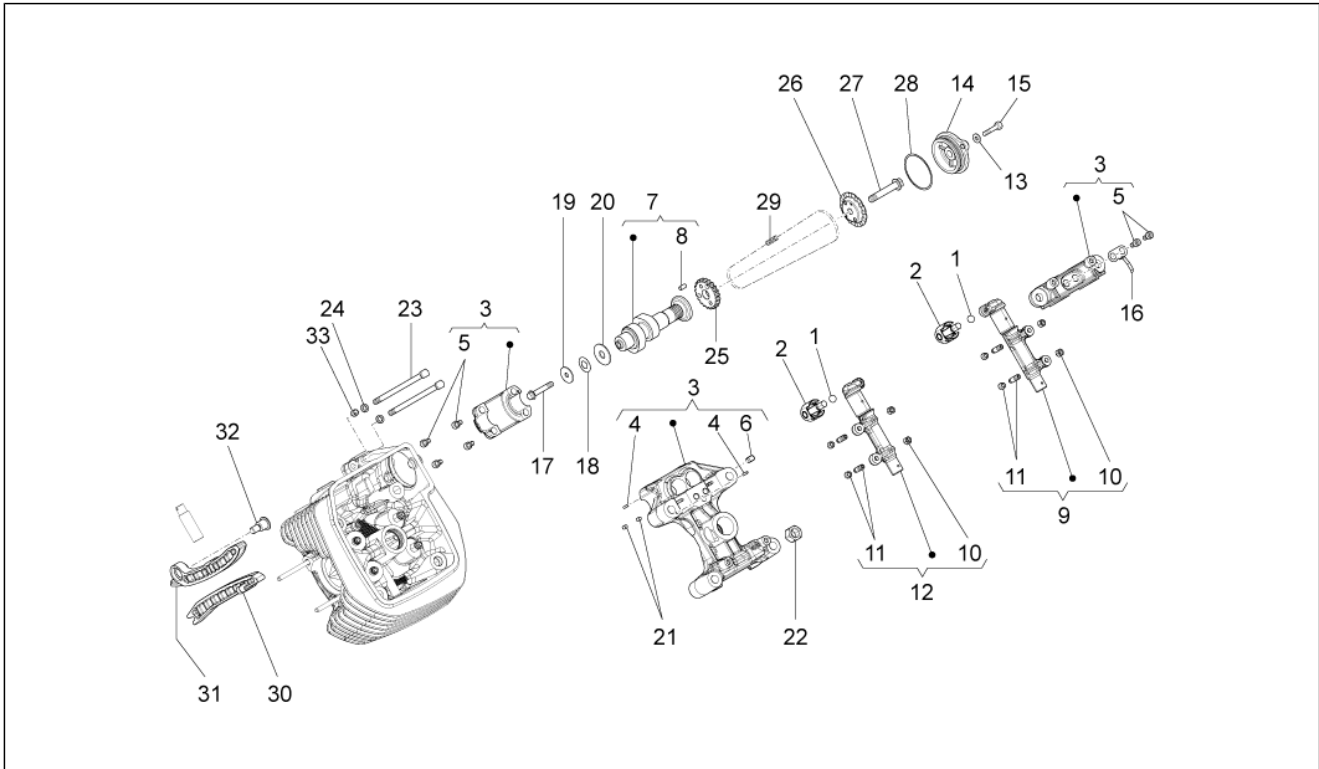


Group	ENGINE
Code	34.61
Description	LH cylinder timing system II
Service	1



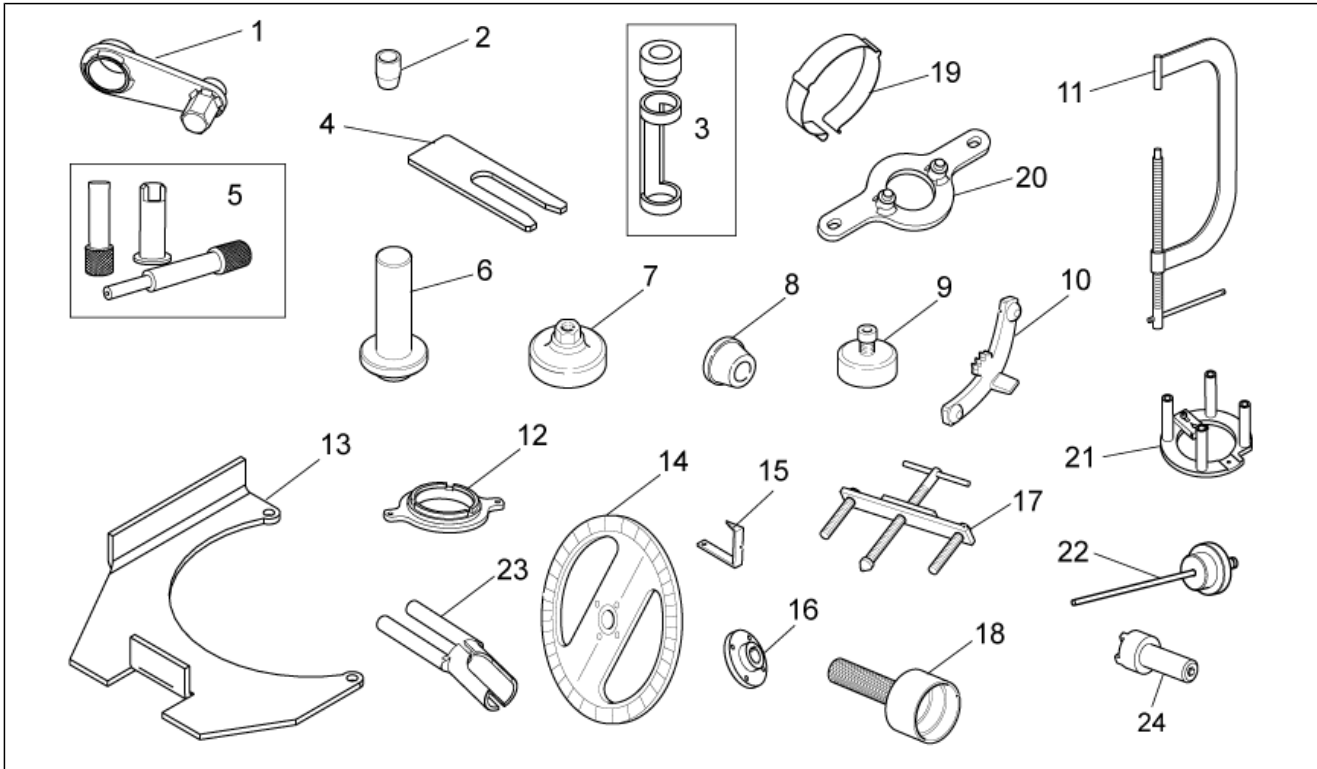
Pos.	Code	Description	Qty	Variants
1	878574	Pad	2	
2	B016785	Tappet	2	
3	B017026	Rockers axle support SX	1	
4	872759	Pin D. 2,5	4	
5	015792	screw M8x30	6	
6	842360	Plug M6x10	1	
7	B014576	Cam axle	1	
8	976589	Pin	1	
9	B0136034	Bilanciere aspirazione sx scarico dx	1	
10	879916	Rocker arm adjuster nut	4	
11	879707	Adjuster screw	4	
12	B0136054	Bilanciere aspirazione dx scarico sx	1	
13	GU95129100	Spring washer 5,3X10X0,5	2	
14	B013479	Breather cover cpl.	1	
15	GU98622214	screw	2	
16	B013661	Plate	1	
17	414837	Screw w/ flange M6x25	1	
18	879938	Belleville spring	1	
19	879936	Shim washer	1	
20	879937	Shim washer	1	
21	B013552	Roller	2	
22	833520	Nut M10X1,25 6H	4	
23	487444	Screw w/ flange M6x120	2	
24	976674	Plain washer 12x6,1x2	2	
25	976350	Timing gear	1	
26	874601	sheet oil breather	1	
27	843060	Screw w/ flange	1	
28	880965	Gasket ring 2,62x46,52	1	

Group	ENGINE
Code	34.61
Description	LH cylinder timing system II
Service	1



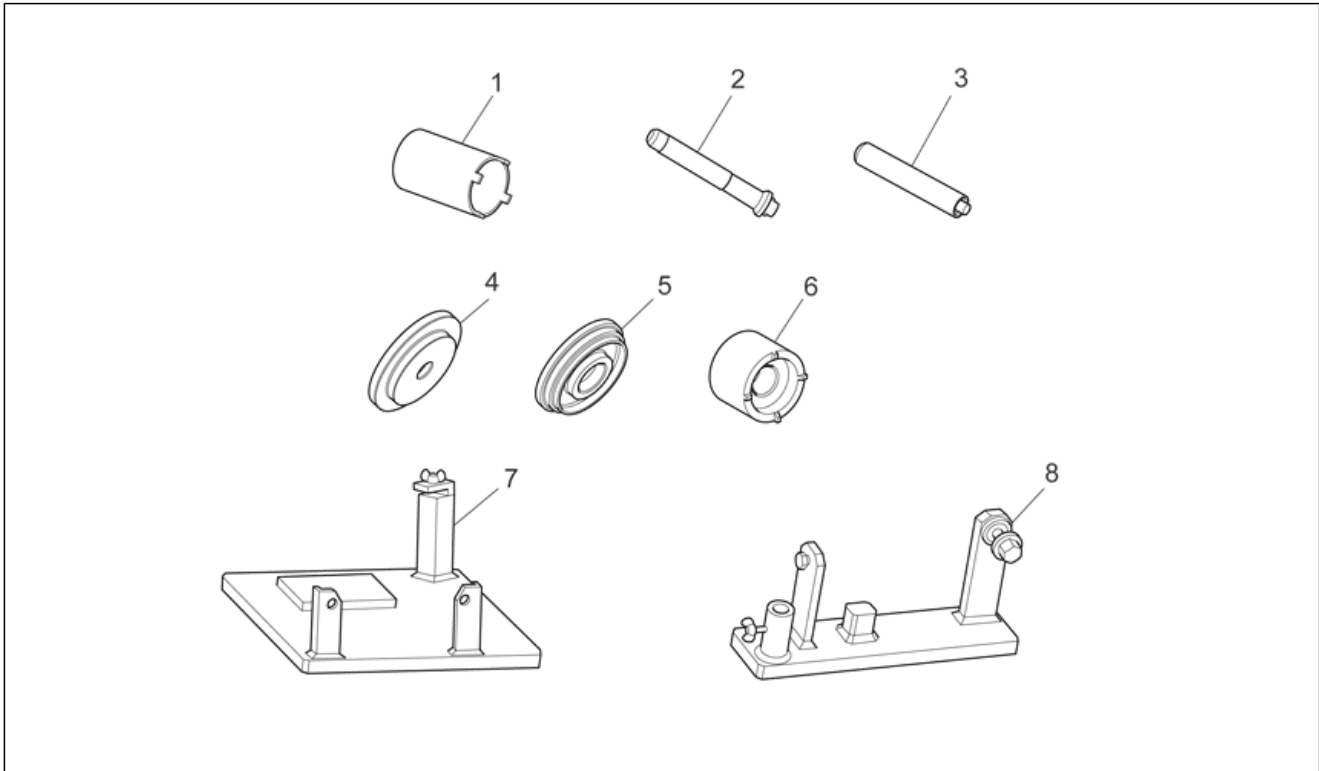
Pos.	Code	Description	Qty	Variants
29	976341	Camshaft chain	1	
30	976338	Chain guide plate	1	
31	976337	Chain tensioner sliding block	1	
32	878868	Spacer screw M8	1	
33	244585	Spacer	1	

Group	SPECIAL TOOLS
Code	36.60
Description	Specific tools I
Service	1



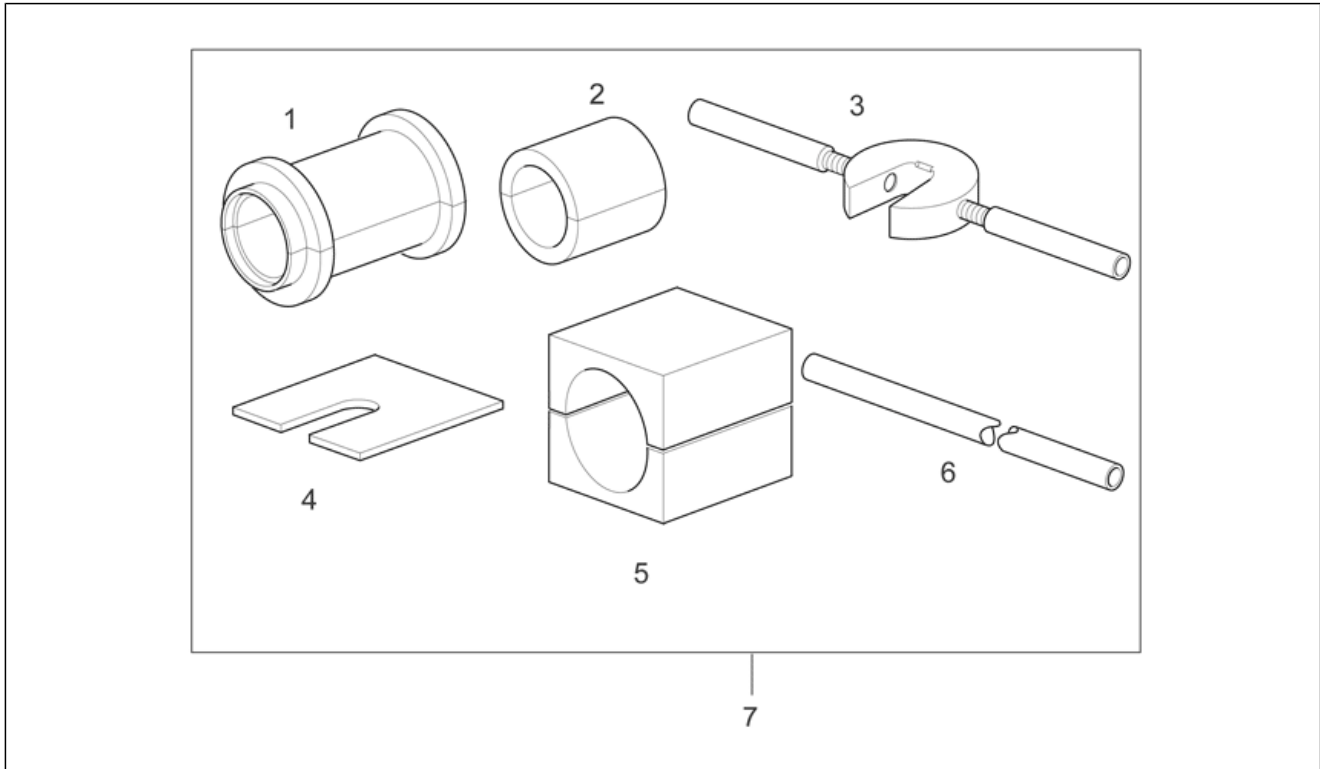
Pos.	Code	Description	Qty	Variants
1	020677Y	Belt tensioning tool	1	
2	GU05911730	Front cover installation cone	1	
3	AP9100838	Valve spring comp insert	1	
4	020716Y	Connecting rod stopper	1	
5	020470Y	Tool for piston pin catch ass.	1	
6	GU05927230	Timing cover seal drift	1	
7	GU01929100	Wrench remov.cover sump/filter	1	
8	GU12912000	Flange flywheel side	1	
9	GU14927100	Seal ring onto flange fly.side	1	
10	GU12911801	Lock flywh.starter motor gear	1	
11	AP8140179	Bow for valve assy&disassy	1	
12	020672Y	Clutch spring comp insert	1	
13	GU05902530	Gearbox housing support	1	
14	GU19929600	Index plate tim.sett./ign.cont	1	
15	GU17947560	Arrow tim.set.ignition control	1	
16	020673Y	Index plate hub	1	
17	GU12913600	Flange removal flywheel side	1	
18	GU19927100	Seal ring flange flywheel side	1	
19	020674Y	Piston ring spanner	1	
20	020675Y	Service shaft gear ret.	1	
21	020676Y	Piston pos.dial gauge supp.	1	
22	020678Y	Clutch rod inspection tool	1	
23	020689Y	Extractor spark plug cap	1	
24	GU14912603	Key	1	

Group	SPECIAL TOOLS
Code	36.61
Description	Specific tools II
Service	1



Pos.	Code	Description	Qty	Variants
1	AP8140190	Steering lock tool	1	
2	GU05902732	Handle for drifts	1	
3	GU05902733	Ball joint seal drift	1	
4	GU05902731	Transmis.box oil seal drift 85	1	
5	GU05902735	Sprocket oil seal drift 45x58	1	
6	GU05902734	Wrench for sprocket ring nut	1	
7	GU05902730	Transmission box support	1	
8	GU05902736	Bevel gears support	1	

Group	SPECIAL TOOLS
Code	36.62
Description	Specific tools III
Service	1



Pos.	Code	Description	Qty	Variants
1	AP8140145	Tool oil seal assy Ø41 mm	1	
2	AP8140146	Weight for AP8140189	1	
3	AP8140147	Tool for spacer stop	1	
4	AP8140148	Separator plate for spacer	1	
5	AP8140149	Protection for disassembly op	1	
6	AP8140150	Tool to assist bleeding air	1	
7	AP8140151	SHOWA FORKS TOOL KIT	1	