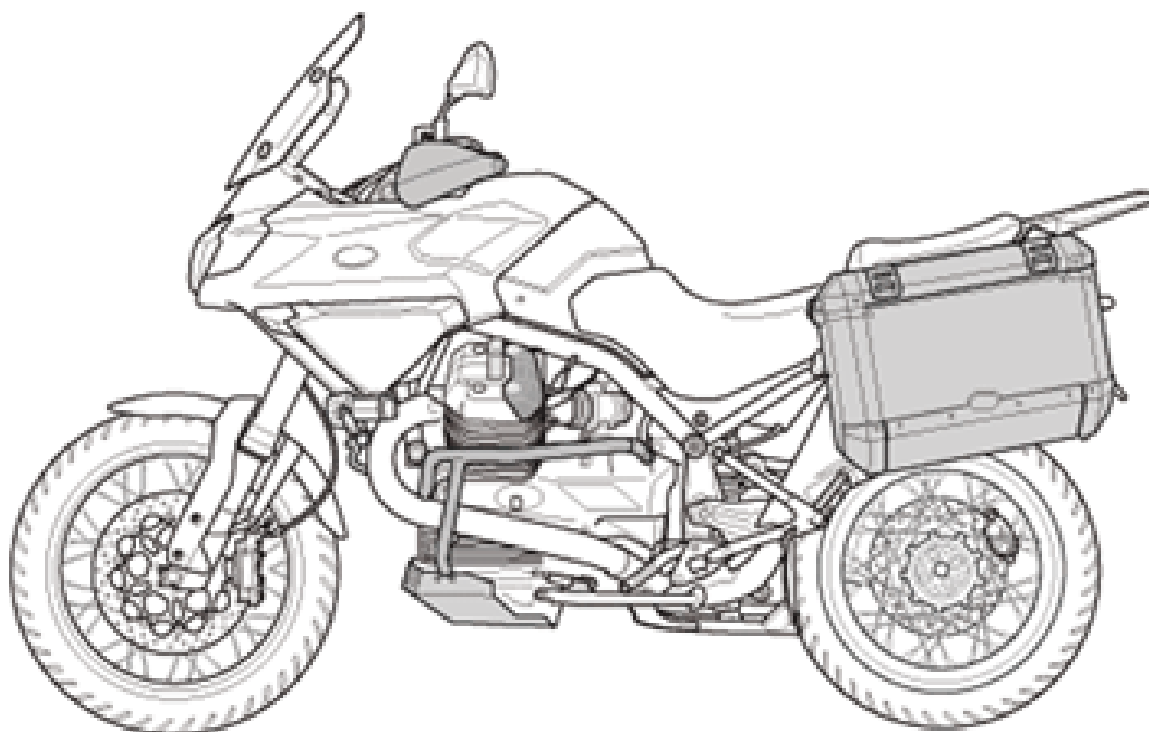




PIAGGIO & C.s.p.a.



## SPARE PARTS CATALOGUE



### **Stelvio 1200 - NTX - ABS 1200 2009-2010**

Chassis prefix: ZGULZA, ZGULZB, ZGULZC01

Engine prefix:

*STELVIO*

**GU095**



## Index

Finished products.....	4
Alphanumeric index.....	5
FRAME.....	12
Table 33.01 - Frame.....	12
Table 33.02 - Frame II.....	13
Table 33.03 - Stands.....	14
Table 33.04 - Front footrests.....	16
Table 33.05 - Rear footrests.....	17
Table 33.06 - Gear lever.....	18
Table 33.07 - Steering.....	19
Table 33.08 - Front fork.....	20
Table 33.09 - Swing arm.....	22
Table 33.10 - Transmission complete.....	23
Table 33.11 - Trans.cpl.-Cage.....	24
Table 33.12 - Trans.cpl.-Bevel gear.....	25
Table 33.13 - Connecting rod - rear shock abs.....	26
Table 33.14 - Fuel tank.....	27
Table 33.15 - Front body - Front fairing.....	28
Table 33.16 - Front body - Duct.....	30
Table 33.17 - Central body.....	33
Table 33.18 - Front mud.-Pillar.....	34
Table 33.19 - Saddle.....	35
Table 33.20 - Rear body I.....	36
Table 33.21 - Rear body II.....	37
Table 33.22 - Rear handle - Luggage rack.....	38
Table 33.23 - Dashboard.....	39
Table 33.24 - Handlebar - Controls.....	40
Table 33.25 - Front master cilinder.....	42
Table 33.26 - Clutch control complete.....	43
Table 33.27 - Oil radiator.....	44
Table 33.28 - Blow-by system.....	45
Table 33.29 - Fuel supply.....	46
Table 33.30 - Air box.....	47
Table 33.31 - Exhaust unit.....	48
Table 33.32 - Internal fuel pump.....	49
Table 33.33 - Front wheel.....	50
Table 33.34 - Front brake caliper.....	52
Table 33.35 - Rear wheel.....	53
Table 33.36 - Rear master cylinder.....	54
Table 33.37 - Rear brake caliper.....	56
Table 33.38 - ABS Brake system 2009.....	57
Table 33.39 - ABS Brake system 2010.....	58
Table 33.40 - Headlight/Horn.....	60



Table 33.41 - Taillight.....	61
Table 33.42 - Electrical system I.....	62
Table 33.43 - Electrical system II.....	65
Table 33.44 - Lock hardware kit.....	67
Table 33.45 - Plate set-decal-op.handbooks.....	68
Table 33.66 - Special parts.....	70
Table 33.69 - Fuel vapour recover system.....	71
ENGINE.....	72
Table 34.46 - Crank-case I.....	72
Table 34.47 - Crank-case II.....	74
Table 34.48 - Cylinder head - valves.....	75
Table 34.49 - Head cover.....	76
Table 34.50 - RH cylinder timing system (bowl).....	77
Table 34.51 - LH cylinder timing system I.....	79
Table 34.52 - Drive shaft - Cylinder.....	81
Table 34.53 - Timing system.....	82
Table 34.54 - Lubrication.....	83
Table 34.55 - Oil pump.....	84
Table 34.56 - Oil filters.....	85
Table 34.57 - Clutch.....	86
Table 34.58 - Transmission cage.....	87
Table 34.59 - Gear box selector.....	88
Table 34.60 - Primary gear shaft.....	89
Table 34.61 - Driven shaft.....	90
Table 34.62 - Clutch shaft.....	91
Table 34.63 - Current generator.....	92
Table 34.64 - Starter motor.....	93
Table 34.65 - Throttle body.....	94
SPECIAL TOOLS.....	95
Table 36.67 - Specific tools I.....	95
Table 36.68 - Specific tools II.....	96



STELVIO  
GU095 - Stelvio 1200 - NTX - ABS 1200 2009-2010

Chassis prefix: ZGULZA, ZGULZB,  
ZGULZC01  
Engine prefix:

## Finished products

Code	Validity
GU9032751EU900	
GU9032751EU901	
GU9032751EU902	
GU9032751EU903	
GU9032752AU900	
GU9032752AU901	
GU9032752AU902	
GU9032752EU900	
GU9032752EU901	
GU9032752EU902	
GU9032752JP901	
GU9032756AUA00	
GU9032756AUA01	
GU9032756AUA02	
GU9032756EUA00	
GU9032756EUA01	
GU9032756EUA02	



Code	No. table	Pos.	Code	No. table	Pos.	Code	No. table	Pos.
0000000	33.33	2	843060	34.51	20	874655	34.54	11
0000000	33.35	2	847180	33.42	22	874669	34.54	4
0000000	33.35	2	849131	34.52	18	874799	34.53	15
013763	34.54	8	849866	34.52	23	874801	34.55	10
015792	34.50	5	854000	33.08	6	874805	34.50	29
015792	34.51	5	856062	33.69	8	874805	34.51	31
015935	34.46	34	856063	33.69	6	874980	34.46	26
020470Y	36.67	5	859777	33.33	23	875243	34.52	19
020672Y	36.67	12	859792	33.33	20	875244	34.52	19
020673Y	36.67	16	859792	33.33	26	8762874	34.52	14
020674Y	36.67	19	859810	33.24	6	877056	34.65	17
020675Y	36.67	20	872606	34.49	10	877057	34.65	16
020676Y	36.67	21	872607	34.49	1	877062	33.30	1
020677Y	36.67	1	872695	34.48	3	8776384	34.50	16
020678Y	36.67	22	872696	34.48	4	8776384	34.51	16
020689Y	36.67	23	872740	34.49	14	877820	34.56	6
020716Y	36.67	4	872741	34.49	11	877847	34.48	12
168077	34.54	19	872742	34.49	7	877849	34.48	2
237553	34.55	7	872759	34.50	6	877849	34.51	1
244585	34.51	29	872759	34.51	6	877859	34.48	1
269787	33.15	4	873425	34.51	4	877859	34.50	1
285846	34.48	8	873426	34.50	4	878275	34.52	10
292022	33.40	3	873490	34.65	3	879707	34.50	10
292022	33.41	13	873491	34.65	8	879707	34.51	10
292723	33.40	2	873626	34.49	9	879916	34.50	11
2R000006	33.40	22	873631	34.50	12	879916	34.51	11
2R000007	33.40	23	873631	34.51	12	883001	33.24	15
411209	34.46	2	873654	34.49	13	883002	33.24	16
414835	34.55	9	873667	34.52	2	883007	33.37	10
434947	34.54	6	873668	34.49	8	883009	33.33	1
436438	34.48	6	873689	34.50	28	883023	33.20	5
463195	33.15	22	873689	34.52	20	883024	33.20	4
463195	33.16	23	873690	34.51	28	883028	33.42	11
463195	33.17	7	873690	34.52	21	883034	33.28	5
484819	34.50	11	873850	34.50	10	883035	33.28	6
484819	34.51	11	873850	34.51	10	883036	33.28	8
487444	34.50	14	873861	34.65	14	883038	33.44	7
487444	34.51	14	873879	34.65	7	883042	33.44	9
560110	34.46	10	873906	34.55	14	883043	33.29	3
560173	33.15	5	873928	34.53	8	883044	33.06	9
581957	34.54	12	874126	34.48	9	883045	33.10	7
584332	33.40	9	874127	34.48	5	883046	33.10	2
584332	33.41	2	874134	34.46	33	883047	33.22	12
584509	33.43	8	874223	34.54	3	883048	33.19	7
598839	33.15	14	874238	34.54	18	883054	33.19	4
598839	33.26	11	874280	34.53	18	883063	33.43	13
598839	33.28	4	874281	34.53	11	883069	33.15	20
598839	33.33	21	874286	34.52	7	88307000BM	33.16	1
598839	33.35	19	874287	34.52	4	88307000Y01	33.16	1
598839	33.36	12	874288	34.52	5	88307000Y02	33.16	1
598839	34.57	4	874289	34.52	6	88307000YE1	33.16	1
639542	33.03	11	874293	34.52	15	88307000YG2	33.16	1
639687	33.42	12	874335	34.48	7	88307000YG3	33.16	1
825597	34.47	4	874482	34.55	8	88307100BM	33.16	12
825597	34.48	11	874567	34.52	8	88307100Y01	33.16	12
825597	34.52	11	874601	34.50	19	88307100Y02	33.16	12
827018	34.48	10	874601	34.51	19	88307100YE1	33.16	12
827018	34.50	2	874616	34.55	11	88307100YG2	33.16	12
827018	34.51	2	874621	34.50	3	88307100YG3	33.16	12
829122	34.56	2	874621	34.51	3	88307300Y10	33.16	14
829232	34.53	13	874621	34.52	12	88307300Y11	33.16	14
829486	34.55	5	874622	34.50	3	88307300Y11	33.16	14
829661	34.55	6	874622	34.51	3	88307400Y10	33.16	4
830249	34.49	3	874622	34.52	12	88307400Y11	33.16	4
833520	34.50	7	874645	34.54	9	88307400Y11	33.16	4
833520	34.51	7	874646	34.54	7	88307800BM	33.16	7
843060	34.50	20	874650	34.55	1	88307800Y01	33.16	7



Code	No. table	Pos.	Code	No. table	Pos.	Code	No. table	Pos.
88307800Y02	33.16	7	883686	33.66	20	894704	33.35	20
88307800Y11	33.16	7	883770	33.45	18	895350	33.39	4
88307800Y11	33.16	7	883771	33.45	17	895481	33.42	17
88307800YG3	33.16	7	883772	33.45	16	896011	33.33	17
883080	33.44	12	883776	33.45	11	896012	33.33	8
883092	33.29	6	883791	33.14	16	896108	33.24	6
883093	33.29	7	883968	33.42	42	969323	34.54	10
883094	33.31	7	883991	33.66	22	974228	34.50	27
883097	33.30	12	884033	33.36	24	974228	34.51	27
883101	33.01	21	884312	33.24	24	976006	34.52	17
883102	33.04	1	88604600YE2	33.01	1	976053	34.57	2
883103	33.04	2	886078	33.15	26	976311	34.50	3
883127	34.63	14	886079	33.15	27	976311	34.51	3
883134	33.66	14	886098	33.28	1	976311	34.52	12
883140	33.16	6	886149	33.39	3	976312	34.52	9
883141	34.64	9	886159	33.24	11	976330	34.53	1
883144	34.46	24	886161	33.42	1	976331	34.53	4
883148	33.42	40	886161	33.43	1	976334	34.53	9
883177	33.20	17	886162	33.39	1	976337	34.50	26
883208	33.03	31	886163	33.39	5	976337	34.51	26
883214	33.21	8	886164	33.39	2	976338	34.50	25
883220	34.63	13	886165	33.39	6	976338	34.51	25
883224	33.42	1	886175	33.19	4	976341	34.50	24
883224	33.43	1	88617600A1	33.19	1	976341	34.51	24
883253	33.66	10	886178	33.40	12	976342	34.52	22
883254	33.66	9	88618000Y11	33.16	4	976350	34.50	18
883287	33.33	7	88618100Y11	33.16	14	976350	34.51	18
883287	33.35	10	886184	33.04	3	976351	34.62	1
883341	33.23	1	886185	33.04	10	976355	34.53	6
883372	33.33	17	886190	33.43	7	976359	34.50	8
883380	33.45	7	886191	33.08	1	976359	34.51	8
883384	33.34	2	886192	33.08	34	976360	34.50	9
883385	33.33	1	886195	33.15	31	976360	34.51	9
883393	33.14	1	886196	33.15	32	976376	33.31	3
883408	33.42	2	886197	33.15	29	976381	34.53	2
883413	33.03	30	886198	33.15	30	976453	34.58	1
883433	33.35	1	886199	33.07	1	976478	34.47	9
883460	33.24	19	886199	33.08	11	976480	34.47	1
883461	33.24	20	886202	33.07	2	976481	34.57	7
883463	33.40	12	886202	33.08	13	976484	34.57	8
88346700Y11	33.16	25	886205	33.20	9	976486	34.46	18
88346800Y11	33.16	26	886206	33.20	6	976488	34.53	3
883493	34.49	4	886207	33.20	7	976498	34.65	5
883544	33.24	11	88621100A1	33.19	2	976502	34.46	16
883559	33.38	3	886221	33.02	1	976521	33.31	14
883560	33.38	4	886233	33.14	1	976532	34.62	4
883561	33.38	5	886234	33.24	10	976533	34.62	3
883562	33.38	6	886236	33.15	28	976535	34.57	5
883563	33.38	1	88625400BM	33.18	1	976538	34.53	10
883571	33.45	15	88625400Y01	33.18	1	976539	34.46	1
883617	33.20	8	88625400Y02	33.18	1	976554	34.47	5
883618	33.20	9	88625400YG3	33.18	1	976556	33.42	27
883621	33.45	7	886307	33.31	15	976559	34.49	12
883628	33.43	3	886315	33.08	5	976560	34.49	6
883628	33.43	3	886316	33.08	15	976563	34.57	9
883633	33.29	4	886317	33.08	7	976564	34.57	10
883653	33.42	2	886318	33.08	20	976565	34.58	5
883653	33.42	2	886319	33.08	8	976566	34.65	6
883655	33.66	15	886320	33.08	10	976569	34.54	5
883656	33.03	1	886321	33.08	9	976570	33.10	1
883657	33.66	7	886322	33.08	26	976581	33.12	1
883664	33.03	6	886323	33.08	21	976584	34.50	21
883673	33.34	3	886324	33.08	14	976584	34.51	21
883678	33.08	1	886329	33.18	3	976589	34.50	17
883679	33.08	34	886944	33.45	23	976589	34.51	17
883683	33.14	1	890513	33.30	4	976591	34.49	2
883685	33.66	19	894704	33.33	28	976593	34.57	12



Code	No. table	Pos.	Code	No. table	Pos.	Code	No. table	Pos.
976594	34.57	12	978301	33.35	15	978776	33.18	5
976595	34.57	12	978350	33.09	1	978777	33.18	4
976596	34.57	12	978414	33.37	1	978784	33.25	6
976614	33.23	3	978416	33.16	1	978810	33.33	7
976625	34.54	14	978417	33.16	12	978810	33.35	10
976635	34.56	8	978418	33.15	1	978811	33.33	15
976636	34.56	7	97841800Y11	33.15	1	978811	33.35	11
976649	34.53	17	978419	33.17	1	978814	33.33	14
976665	34.53	16	97841900BM	33.17	1	978814	33.35	14
976674	34.50	15	97841900Y01	33.17	1	978815	33.35	8
976674	34.51	15	97841900Y02	33.17	1	978816	33.35	9
976678	34.63	1	97841900YE1	33.17	1	978821	33.24	2
976680	34.54	15	97841900YG2	33.17	1	978841	33.01	4
976681	34.54	17	97841900YG3	33.17	1	978846	33.27	5
976687	34.58	18	978423	33.15	2	978849	33.35	1
976690	34.50	22	97842400Y11	33.23	2	978852	34.64	4
976690	34.51	22	978425	33.21	1	97885300Y10	33.18	3
976695	34.57	1	978426	33.45	7	978854	34.54	16
976696	34.57	14	978427	33.40	10	978864	33.33	6
976697	34.65	1	978428	33.40	8	978874	33.01	6
976703	34.46	19	978431	33.16	5	978880	34.64	14
976704	33.31	2	97843900Y10	33.22	1	978882	33.45	6
976705	33.31	1	978443	33.31	15	978895	34.54	1
976934	34.58	17	978444	33.31	22	978911	33.26	7
976966	34.46	30	978445	33.18	1	978984	33.01	7
977041	33.36	14	97844500BM	33.18	1	978987	33.45	1
977056	33.35	5	97844500Y01	33.18	1	981007	34.52	13
977303	33.45	4	97844500Y02	33.18	1	981008	34.52	1
977582	33.31	20	97844500YE1	33.18	1	981009	34.52	3
977583	33.15	6	97844500YG2	33.18	1	981010	34.65	2
977584	33.15	7	978446	33.20	1	981011	34.65	20
977596	33.15	12	978448	33.42	1	981022	33.08	5
977597	33.15	13	978448	33.43	1	981024	33.08	16
977600	33.15	8	978449	33.23	5	981025	33.08	17
977666	33.44	1	978450	33.40	1	981026	33.08	18
977681	33.15	11	978451	33.41	1	981027	33.08	19
977698	33.15	15	978453	33.19	1	981028	33.08	15
977699	33.15	19	978454	33.19	2	981029	33.08	7
977762	33.43	6	978464	33.34	1	981031	33.08	8
977769	33.42	18	978465	33.34	2	981032	33.08	10
977771	33.42	41	978466	33.34	4	981033	33.08	22
977772	33.42	19	978466	33.38	9	981034	33.08	23
977795	33.41	12	978516	33.33	5	981035	33.08	24
977916	33.43	19	978526	33.01	14	981036	33.08	25
977918	33.44	6	978558	33.24	11	981037	33.08	26
978002	33.03	7	978579	33.27	1	981038	33.08	27
978005	33.01	1	978606	33.25	1	981044	33.08	21
978006	33.13	1	978607	33.26	1	981045	33.08	14
978012	33.03	10	978616	34.64	5	981046	33.26	2
978016	33.07	1	978618	34.64	10	981050	33.25	2
978016	33.08	11	978619	34.64	15	981071	33.66	4
978018	33.07	2	978621	33.31	1	981072	33.66	5
978018	33.08	13	978622	33.31	2	981073	33.66	3
978022	33.02	1	978633	33.23	6	981074	33.66	6
978030	33.33	10	97863400Y11	33.17	2	981087	33.23	18
978033	33.38	2	978635	33.31	8	981087	33.44	16
978040	33.24	1	97863800Y10	33.20	6	981099	33.24	22
978042	33.24	4	97863900Y10	33.20	7	981100	33.24	23
978047	33.28	1	978640	33.16	9	981101	33.24	21
978059	33.24	18	978641	33.16	8	981152	33.08	20
978138	33.29	1	978642	33.14	3	983152	33.66	2
978138	33.32	1	978647	33.45	8	983153	33.66	1
978152	33.16	16	978687	33.16	2	983161	33.66	8
978152	33.17	5	978688	33.16	13	AP4ADN000007	34.46	20
978152	33.42	3	978739	33.26	10	AP8101586	33.28	15
978170	33.15	17	978739	34.57	3	AP8101595	33.30	19
978220	33.44	5	978764	33.33	8	AP8101595	33.36	5



Code	No. table	Pos.	Code	No. table	Pos.	Code	No. table	Pos.
AP8101595	34.58	15	AP8120831	33.04	11	AP8140179	36.67	11
AP8101744	33.33	14	AP8120831	33.04	4	AP8140190	36.68	1
AP8101744	33.35	14	AP8120876	33.15	25	AP8140758	36.68	9
AP8101861	33.05	7	AP8120876	33.30	20	AP8144007	33.06	7
AP8102375	33.01	20	AP8120912	33.06	3	AP8144007	33.36	25
AP8102375	33.15	23	AP8120912	33.36	20	AP8144038	33.30	18
AP8102375	33.16	15	AP8120952	34.58	16	AP8144046	33.43	9
AP8102375	33.17	6	AP8121032	33.39	13	AP8144071	33.31	18
AP8102375	33.18	10	AP8121072	33.31	19	AP8144081	33.17	14
AP8102375	33.20	2	AP8121096	33.18	12	AP8144164	33.30	8
AP8102375	33.21	2	AP8121098	33.12	6	AP8144303	33.69	9
AP8102375	33.22	15	AP8121133	33.05	6	AP8144328	33.14	6
AP8102375	33.40	7	AP8121155	33.13	10	AP8144565	33.16	24
AP8102375	34.64	13	AP8121205	33.07	9	AP8144565	33.17	9
AP8102378	33.69	14	AP8121207	33.07	4	AP8145034	33.04	3
AP8102381	33.15	24	AP8121218	33.10	4	AP8145035	33.04	10
AP8102381	33.16	22	AP8121221	33.06	2	AP8149034	33.21	10
AP8102381	33.40	18	AP8121221	33.36	19	AP8150046	34.47	10
AP8102520	33.28	14	AP8121223	33.06	6	AP8150220	33.08	4
AP8102523	33.19	10	AP8121467	33.03	2	AP8150255	33.23	8
AP8102524	33.03	17	AP8121520	33.24	10	AP8150292	33.03	16
AP8102678	33.69	1	AP8121567	33.04	8	AP8150292	33.13	13
AP8102765	33.28	11	AP8121567	33.05	4	AP8150342	33.66	13
AP8102913	33.19	5	AP8121607	33.03	32	AP8150377	33.20	10
AP8104329	33.30	2	AP8121795	33.42	4	AP8150413	33.16	3
AP8104509	33.24	8	AP8121819	33.66	12	AP8150413	33.23	17
AP8104572	33.24	8	AP8121882	33.23	16	AP8150421	33.30	9
AP8104614	33.69	7	AP8121890	33.22	10	AP8150432	33.01	13
AP8104627	33.66	11	AP8121994	33.03	14	AP8150462	33.06	5
AP8104666	33.14	13	AP8123206	33.08	3	AP8150462	33.36	22
AP8104921	33.24	13	AP8123641	33.07	7	AP8150493	33.17	8
AP8104922	33.24	14	AP8123642	33.07	5	AP8150509	33.22	13
AP8110066	33.13	5	AP8123643	33.07	3	AP8150509	33.23	9
AP8110068	33.13	6	AP8123644	33.07	6	AP8152001	33.03	15
AP8110077	33.07	8	AP8124768	33.43	12	AP8152043	33.23	14
AP8112811	33.43	4	AP8124869	33.42	17	AP8152117	33.39	16
AP8112996	33.36	27	AP8124936	33.42	29	AP8152147	33.13	12
AP8113003	33.26	8	AP8125773	33.33	4	AP8152154	33.22	9
AP8113004	33.26	9	AP8125777	33.33	3	AP8152166	34.53	7
AP8113004	33.37	6	AP8127098	33.41	6	AP8152238	33.23	11
AP8113070	33.34	5	AP8127469	33.33	20	AP8152242	33.10	5
AP8113070	33.34	5	AP8127650	33.44	8	AP8152268	33.21	6
AP8113070	33.37	9	AP8127817	33.32	4	AP8152272	33.35	17
AP8113070	33.38	10	AP8128189	33.33	18	AP8152272	33.44	14
AP8113070	33.39	10	AP8128189	33.33	27	AP8152273	33.33	25
AP8113081	33.36	16	AP8133594	33.26	8	AP8152277	33.04	7
AP8113082	33.36	17	AP8133595	33.37	8	AP8152277	33.05	8
AP8113288	33.36	3	AP8133595	33.38	12	AP8152277	33.39	14
AP8113594	33.36	2	AP8133597	33.37	7	AP8152277	33.69	3
AP8113993	33.25	5	AP8133597	33.38	11	AP8152279	33.02	4
AP8113993	33.26	4	AP8133779	33.36	6	AP8152279	33.14	7
AP8113995	33.25	3	AP8133945	33.34	4	AP8152279	33.36	4
AP8113997	33.26	5	AP8133945	33.39	9	AP8152279	33.40	13
AP8113998	33.26	6	AP8133962	33.25	7	AP8152279	33.42	13
AP8117200	33.16	20	AP8133962	33.37	11	AP8152280	33.20	13
AP8118579	33.24	7	AP8133962	33.38	7	AP8152280	33.22	2
AP8120030	33.27	4	AP8133962	33.39	7	AP8152280	33.27	2
AP8120030	33.28	3	AP8134276	33.04	5	AP8152280	33.30	16
AP8120030	33.30	21	AP8134378	33.31	17	AP8152280	33.42	33
AP8120030	33.39	11	AP8134448	33.21	4	AP8152286	33.33	9
AP8120030	33.40	6	AP8134451	33.05	5	AP8152287	33.03	24
AP8120030	33.42	14	AP8134884	33.69	2	AP8152288	33.01	8
AP8120178	33.36	13	AP8134948	33.19	9	AP8152291	34.46	29
AP8120428	33.03	22	AP8135608	33.13	8	AP8152298	33.07	13
AP8120485	33.12	7	AP8135924	33.13	4	AP8152299	33.30	15
AP8120708	33.14	14	AP8140146	36.68	10	AP8152299	33.40	14
AP8120708	33.20	15	AP8140149	36.68	11	AP8152299	33.42	30





Code	No. table	Pos.	Code	No. table	Pos.	Code	No. table	Pos.
AP8152299	33.42	34	AP8221023	33.42	15	GU01603480	33.24	12
AP8152300	33.02	3	AP8221036	33.07	14	GU01609630	33.24	17
AP8152300	33.03	27	AP8221128	33.18	7	GU01612190	33.33	11
AP8152300	33.04	13	AP8221145	33.36	11	GU01654630	33.34	3
AP8152301	33.13	11	AP8221204	33.03	18	GU01659130	33.34	6
AP8152301	33.31	11	AP8221211	33.03	19	GU01659131	33.34	7
AP8152302	33.16	18	AP8221277	33.04	6	GU01721600	33.42	21
AP8152302	33.17	3	AP8221307	33.01	11	GU01722700	33.42	23
AP8152302	33.21	3	AP8221317	33.03	4	GU01722701	33.42	23
AP8152302	33.41	3	AP8221318	33.03	5	GU01722702	33.42	23
AP8152306	33.21	7	AP8224164	33.21	5	GU01722703	33.42	23
AP8152306	33.29	2	AP8224164	33.21	9	GU01722704	33.42	23
AP8152306	33.41	11	AP8224462	33.42	38	GU01722705	33.42	23
AP8152306	33.42	37	AP8257609	33.45	20	GU01731760	33.42	20
AP8152318	33.09	2	AP8257742	33.45	22	GU01732560	33.42	35
AP8152320	33.37	2	AP8257794	33.45	21	GU01929100	36.67	7
AP8152325	33.24	5	AP9100838	36.67	3	GU03013800	33.22	14
AP8152329	33.20	10	AP9100855	33.08	32	GU03013800	34.55	12
AP8152329	33.30	5	AP9100856	33.08	6	GU03013800	34.64	16
AP8152329	33.36	10	B013603	34.50	8	GU03256800	33.06	16
AP8152339	33.17	13	B013603	34.51	8	GU03270300	33.15	18
AP8152339	33.18	2	B013605	34.50	9	GU03604845	33.26	3
AP8152339	33.18	9	B013605	34.51	9	GU03749845	33.25	9
AP8152339	33.20	3	B014603	34.50	13	GU05001630	34.47	12
AP8152339	33.21	14	B014603	34.51	13	GU05002130	34.47	3
AP8152339	33.44	15	B015681	34.50	12	GU05003630	34.46	17
AP8152339	34.64	8	B015681	34.51	12	GU05005730	34.56	4
AP8152384	33.07	10	B063025	34.58	11	GU05103930	33.14	2
AP8152396	33.13	16	B063858	33.44	1	GU05103930	33.44	2
AP8152397	33.13	9	B063859	33.44	3	GU05107430	33.32	2
AP8152398	33.13	2	CM023705	33.44	13	GU05128230	33.31	13
AP8152409	33.04	9	CM074706	34.65	4	GU05152230	34.56	3
AP8152409	33.05	9	CM162701	34.50	31	GU05204930	34.58	8
AP8152410	33.10	3	CM162701	34.51	32	GU05206530	33.11	12
AP8152410	33.31	9	CM162702	34.50	31	GU05210631	34.60	1
AP8152414	33.34	9	CM162702	34.51	32	GU05211331	34.60	10
AP8152482	33.13	15	CM162703	34.50	31	GU05211431	34.60	7
AP8157100	33.45	19	CM162703	34.51	32	GU05212031	34.60	4
AP8157631	33.45	5	CM162704	34.50	31	GU05212631	34.60	9
AP8157631	33.45	9	CM162704	34.51	32	GU05213631	34.61	1
AP8161254	33.08	24	CM162705	34.50	31	GU05214031	34.61	7
AP8163068	33.08	32	CM162705	34.51	32	GU05214231	34.61	3
AP8163069	33.08	31	CM225603	33.42	18	GU05214431	34.61	12
AP8163070	33.08	30	CM225610	33.42	41	GU05214630	34.60	5
AP8163071	33.08	29	CM225615	33.42	19	GU05214630	34.61	5
AP8163072	33.08	28	CM225720	33.43	20	GU05214731	34.61	9
AP8163094	33.08	31	CM225730	33.43	5	GU05215031	34.61	10
AP8163095	33.08	30	CM225740	33.43	6	GU05215631	34.60	2
AP8163096	33.08	29	GU00823923140	33.03	23	GU05220531	34.61	11
AP8163097	33.08	28	GU00823931055	33.16	19	GU05230531	34.59	18
AP8178918	33.03	3	GU00823933010	33.16	27	GU05230831	34.59	21
AP8201417	33.39	15	GU00823955080	33.28	12	GU05232431	34.59	19
AP8201749	33.33	24	GU01003651	34.46	15	GU05232631	34.59	20
AP8201808	33.37	13	GU01106090	33.32	5	GU05234130	34.59	11
AP8202238	33.37	12	GU01108490	33.32	3	GU05234230	34.59	12
AP8220150	33.23	7	GU01154230	33.28	10	GU05234431	34.59	1
AP8220162	33.28	13	GU01154230	34.46	11	GU05234631	34.59	2
AP8220263	33.14	11	GU01154230	34.54	2	GU05234731	34.59	10
AP8220263	33.20	12	GU01161331	33.28	9	GU05234931	34.59	13
AP8220283	33.42	39	GU01161331	34.54	13	GU05235531	34.59	3
AP8220346	33.31	10	GU01528930	33.11	8	GU05236231	34.59	7
AP8220526	33.30	13	GU01528930	34.46	23	GU05238131	34.59	15
AP8220546	33.42	16	GU01528930	34.58	9	GU05238231	34.59	8
AP8221023	33.27	3	GU01530588	33.08	2	GU05238331	34.59	14
AP8221023	33.30	17	GU01530589	33.08	9	GU05238431	34.59	9
AP8221023	33.39	12	GU01577830	33.16	11	GU05239330	34.59	17
AP8221023	33.40	5	GU01577830	33.23	4	GU05256930	33.06	10

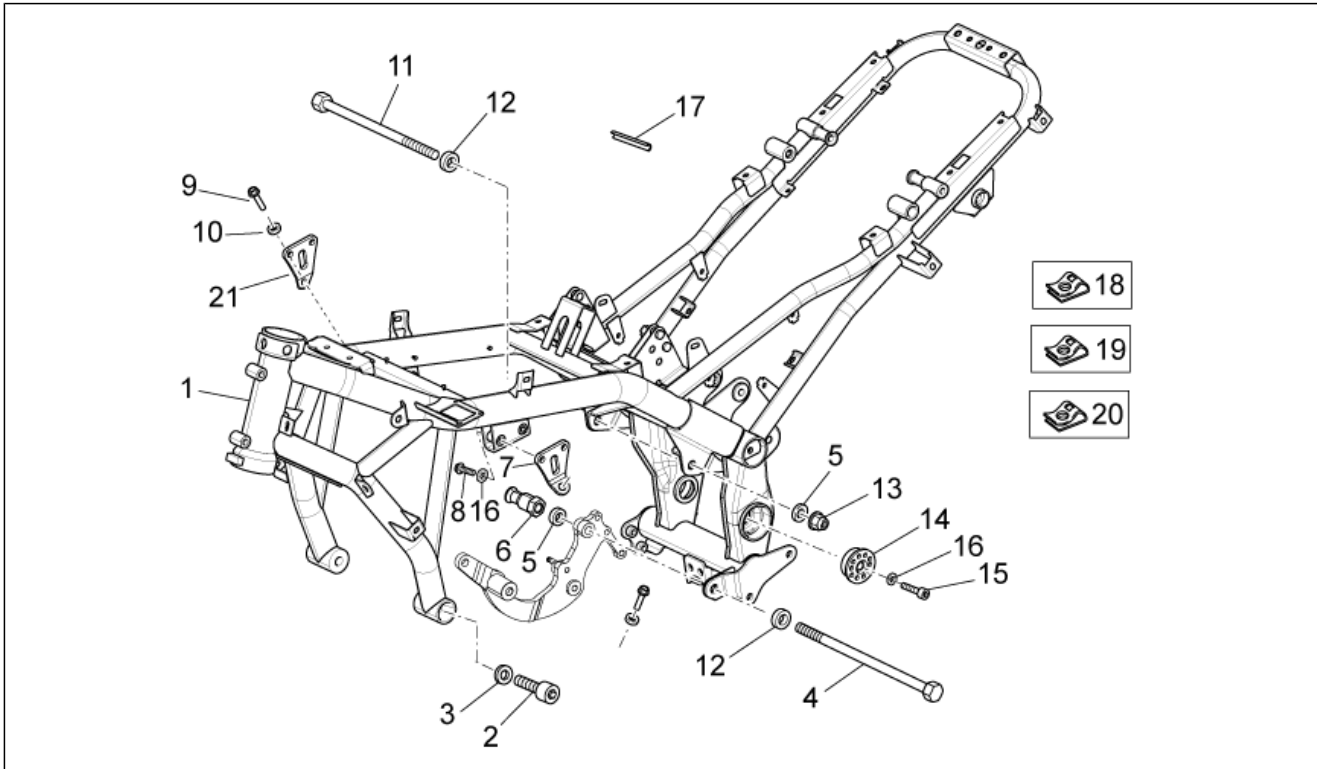


Code	No. table	Pos.	Code	No. table	Pos.	Code	No. table	Pos.
GU05326330	33.10	6	GU06616300	33.33	13	GU30150900	34.56	9
GU05351230	33.11	2	GU06677000	33.36	18	GU30153000	34.56	1
GU05352430	33.12	2	GU06704700	33.14	12	GU30158900	34.55	3
GU05358030	33.11	6	GU06704700	33.20	11	GU30158900	34.56	12
GU05358130	33.11	5	GU06747900	33.43	7	GU30217900	33.01	3
GU05358230	33.11	7	GU06747900	33.43	7	GU30217900	33.03	21
GU05358330	33.11	1	GU06765400	33.23	13	GU30434000	33.36	23
GU05358530	33.11	15	GU06765500	33.23	15	GU30611460	33.35	7
GU05358630	33.11	16	GU06917300	33.45	3	GU30714201	34.63	9
GU05429630	33.03	9	GU06917400	33.45	2	GU30716500	33.42	6
GU05466630	33.22	5	GU10528900	33.11	13	GU30729330	33.30	3
GU05466631	33.22	6	GU12006400	34.54	20	GU30970200	33.45	12
GU05466830	33.19	8	GU12018900	34.46	6	GU31003766	33.11	9
GU05466830	33.44	4	GU12022600	34.46	31	GU31003766	34.46	22
GU05547030	33.09	6	GU12911801	36.67	10	GU31003766	34.58	13
GU05547130	33.09	5	GU12912000	36.67	8	GU31159050	34.55	2
GU05547930	33.09	8	GU12913600	36.67	17	GU31159050	34.56	14
GU05548030	33.09	3	GU14018400	33.10	8	GU32258010	33.06	14
GU05560330	33.13	3	GU14085900	34.57	11	GU32258110	33.06	13
GU05562030	33.13	7	GU14086000	34.57	13	GU32441210	33.04	5
GU05562430	33.13	14	GU14217901	33.15	21	GU32441210	33.05	3
GU05606630	33.26	12	GU14433400	34.53	12	GU32442310	33.05	1
GU05632730	33.35	3	GU14609650	33.03	29	GU32442710	33.05	10
GU05635730	33.35	6	GU14609650	33.42	32	GU32443210	33.04	4
GU05638130	33.12	9	GU14609650	33.43	18	GU32443210	33.05	2
GU05654630	33.37	3	GU14615901	33.01	16	GU32443211	33.04	11
GU05658431	33.07	12	GU14615901	33.03	25	GU32443211	33.05	11
GU05659030	33.37	5	GU14615901	33.04	14	GU32461610	33.19	3
GU05659130	33.37	4	GU14615901	33.15	10	GU32461610	33.19	3
GU05661130	33.25	4	GU14615901	33.22	4	GU32474710	33.41	10
GU05663530	33.36	7	GU14615901	33.31	5	GU32727010	33.31	12
GU05666030	33.36	9	GU14615901	34.46	5	GU49609601	33.33	22
GU05666930	33.36	1	GU14616150	33.33	12	GU49609601	33.35	20
GU05681430	33.33	18	GU14616150	33.35	13	GU49609601	33.42	32
GU05681530	33.35	16	GU14912603	36.67	24	GU49609601	33.43	18
GU05683730	33.35	18	GU14927100	36.67	9	GU4FAN000030	34.63	10
GU05701430	34.63	7	GU17661052	33.36	8	GU61270300	34.46	13
GU05702530	34.63	6	GU17947560	36.67	15	GU80438610	33.21	13
GU05704531	33.43	2	GU18144350	34.55	4	GU90271014	34.59	16
GU05716730	33.42	7	GU18144350	34.56	13	GU90271022	34.59	4
GU05717030	33.42	12	GU18144350	34.58	7	GU90271030	34.60	8
GU05730730	34.64	1	GU19002020	34.58	14	GU90271030	34.61	8
GU05781630	33.08	33	GU19149800	33.01	10	GU90271230	34.60	6
GU05782530	33.23	10	GU19149800	34.64	7	GU90271230	34.61	6
GU05782530	33.44	3	GU19207220	34.58	10	GU90273026	33.12	8
GU05900130	33.45	14	GU19705900	33.19	11	GU90353014	34.59	22
GU05902530	36.67	13	GU19927100	36.67	18	GU90401424	34.58	12
GU05902730	36.68	7	GU19929600	36.67	14	GU90404558	33.12	3
GU05902731	36.68	4	GU25656100	33.25	8	GU90405367	34.46	4
GU05902732	36.68	2	GU25656100	33.34	8	GU90408511	33.11	10
GU05902733	36.68	3	GU25656100	33.38	8	GU90412237	34.47	2
GU05902734	36.68	6	GU25656100	33.39	8	GU90412541	34.61	14
GU05902735	36.68	5	GU28157950	33.69	4	GU90706009	33.69	11
GU05902736	36.68	8	GU28576591	33.01	18	GU90706061	33.33	16
GU05911730	36.67	2	GU28576591	33.20	14	GU90706061	33.35	12
GU05927230	36.67	6	GU28576591	33.27	7	GU90706151	34.56	5
GU05944530	33.45	13	GU28576591	33.28	16	GU90706178	34.46	25
GU05944930	33.45	10	GU28576591	33.31	23	GU90706203	34.46	32
GU06107100	33.14	5	GU28576592	33.01	19	GU90706347	34.47	8
GU06113700	33.30	7	GU28576592	33.02	6	GU90718120	33.11	3
GU06114200	33.30	6	GU28576592	33.36	28	GU91120507	33.40	20
GU06123500	33.31	6	GU28576592	33.69	15	GU91120507	33.41	9
GU06250900	33.06	1	GU28742562	33.43	5	GU91120606	34.47	13
GU06409800	33.01	17	GU29108550	33.69	5	GU91120607	34.47	7
GU06412300	33.28	2	GU29722760	33.42	23	GU91180600	33.16	17
GU06609600	33.42	31	GU29729461	33.42	26	GU91180600	33.17	4
GU06609600	33.43	17	GU30027931	33.30	11	GU91180823	34.63	2



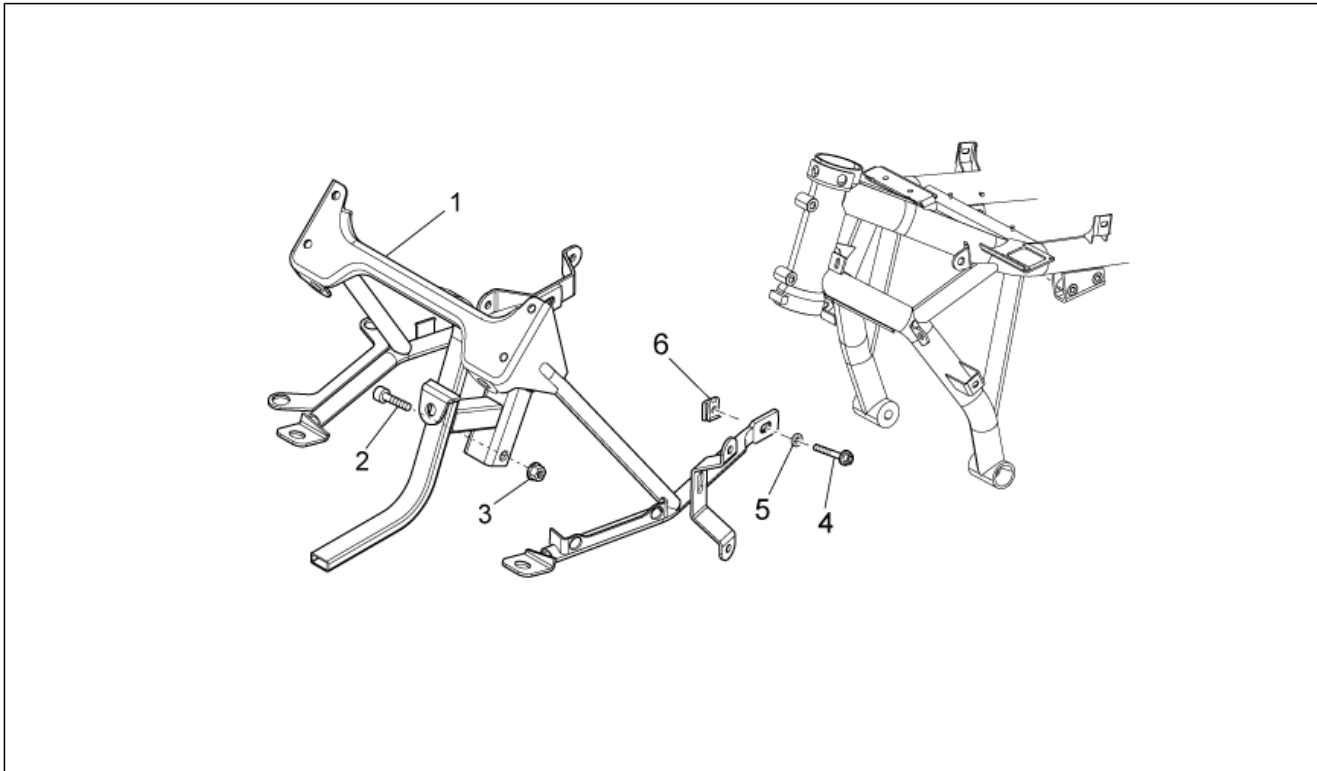
Code	No. table	Pos.	Code	No. table	Pos.	Code	No. table	Pos.
GU91551010	33.18	6	GU95021206	33.36	29	GU98680435	33.04	12
GU91600365	34.53	19	GU95100059	33.41	5	GU98680440	33.02	2
GU91600450	34.53	14	GU95100059	33.42	36	GU98680450	33.11	11
GU92201025	34.59	6	GU95100116	34.52	16	GU98680460	33.04	18
GU92201117	34.59	5	GU95100116	34.65	12	GU98680460	33.31	16
GU92201226	34.61	13	GU95100125	33.14	17	GU98680465	33.04	17
GU92201226	34.62	2	GU95100141	33.02	5	GU98680480	33.04	15
GU92201822	34.60	11	GU95100141	33.14	8	GU98682116	33.40	11
GU92201822	34.61	2	GU95129100	33.40	15	GU98682125	33.42	8
GU92204230	33.12	5	GU95129100	34.50	30	GU98682212	33.17	11
GU92208518	33.12	4	GU95129100	34.51	30	GU98682212	33.42	24
GU92232028	34.62	5	GU95129131	33.43	10	GU98682212	34.65	15
GU92249224	33.09	7	GU95129240	33.01	12	GU98682316	33.06	4
GU92252029	34.60	3	GU95510620	33.11	4	GU98682316	33.36	21
GU92252029	34.61	4	GU95512081	34.46	9	GU98682316	34.47	14
GU92605408	34.63	12	GU95963062	33.69	12	GU98682320	33.06	12
GU92606206	33.36	15	GU95980216	34.46	27	GU98682320	34.47	6
GU92606516	34.63	8	GU95980319	34.58	6	GU98682325	33.09	9
GU92609206	33.06	15	GU95990023	33.69	13	GU98682330	34.46	14
GU92609408	33.43	11	GU96508066	34.46	3	GU98682330	34.47	11
GU92630104	33.42	10	GU96508075	34.46	7	GU98682416	33.22	3
GU92630204	33.44	10	GU97202355	34.58	2	GU98682425	33.04	16
GU92630707	33.06	11	GU97202355	34.64	11	GU98682430	33.07	11
GU92630708	33.66	18	GU97202435	33.03	26	GU98682430	33.08	12
GU92640708	33.15	16	GU97202665	33.35	4	GU98682430	33.23	12
GU92650035	33.21	12	GU98054520	33.01	9	GU98682530	33.03	8
GU92650035	33.40	17	GU98082475	34.64	2	GU98682650	33.01	2
GU92650138	33.31	21	GU98084425	34.46	12	GU98683520	33.42	28
GU92660012	34.63	5	GU98223530	33.21	11	GU98690245	33.42	5
GU92660021	33.31	4	GU98230510	34.49	5	GU98690460	33.66	21
GU92660021	34.46	8	GU98230612	34.57	6	GU98692210	33.41	4
GU92787205	33.43	16	GU98230820	33.22	7	GU98692216	33.14	15
GU93180220	34.58	3	GU98230850	34.63	11	GU98692414	33.01	15
GU93222023	33.14	9	GU98231235	33.03	20	GU98692420	33.66	16
GU93242015	33.03	28	GU98250510	33.33	19	GU98700430	33.24	3
GU93301313	33.30	10	GU98250635	33.22	11	GU98710215	33.16	10
GU93304360	33.42	32	GU98257618	33.15	3	GU98710215	33.20	16
GU93304390	33.09	4	GU98350210	33.43	14	GU98710215	33.22	16
GU93304390	33.42	32	GU98350310	34.52	24	GU98882325	34.65	9
GU93304390	33.43	18	GU98350310	34.65	11	GU99210406	33.11	14
GU93305061	34.65	13	GU98350315	34.53	5			
GU93306017	33.28	7	GU98350320	33.39	17			
GU93306020	33.14	10	GU98350416	33.18	11			
GU93306050	34.65	18	GU98350425	33.18	8			
GU94321077	34.56	10	GU98350430	33.22	8			
GU95005306	34.55	13	GU98370412	33.16	21			
GU95005306	34.64	12	GU98370412	33.17	10			
GU95005308	33.66	17	GU98370412	33.25	10			
GU95005310	33.15	9	GU98370616	34.58	4			
GU95008204	33.42	9	GU98370625	33.19	6			
GU95008205	33.17	12	GU98371020	34.64	6			
GU95008205	33.40	21	GU98612216	33.03	12			
GU95008205	33.41	8	GU98620445	34.63	3			
GU95008205	33.42	25	GU98620485	33.04	19			
GU95008205	33.43	15	GU98620560	34.63	4			
GU95008206	33.30	14	GU98622214	34.50	23			
GU95008206	34.56	11	GU98622214	34.51	23			
GU95008206	34.65	10	GU98680125	33.40	19			
GU95008208	34.64	3	GU98680222	33.29	5			
GU95008210	33.06	8	GU98680225	33.40	4			
GU95008305	34.65	19	GU98680225	33.41	7			
GU95008310	33.36	26	GU98680335	34.47	15			
GU95008313	33.01	5	GU98680340	33.14	4			
GU95020105	33.03	13	GU98680340	33.24	9			
GU95021104	33.25	11	GU98680340	33.27	6			
GU95021105	33.40	16	GU98680340	34.46	28			
GU95021204	33.44	11	GU98680360	34.46	21			

<b>Group</b>	FRAME
<b>Code</b>	33.01
<b>Description</b>	Frame
<b>Service</b>	1



Pos.	Code	Description	Qty	Variants
1	88604600YE2	Frame	1	Year:2010[A]
1	978005	Frame	1	Year:2009[9]
2	GU98682650	Hex socket screw M12x50	2	
3	GU30217900	Washer 13x18x1,7	2	
4	978841	Pin M12x260	1	
5	GU95008313	Washer 13x24x2,5	2	
6	978874	Bushing	1	
7	978984	LH plate	1	
8	AP8152288	Screw w/ flange	4	
9	GU98054520	screw	2	
10	GU19149800	Washer 10,5x16x1	2	
11	AP8221307	Pin M12	1	
12	GU95129240	Washer	2	
13	AP8150432	Low self-locking nut M12*	2	
14	978526	Cover	2	
15	GU98692414	screw M8x14	2	
16	GU14615901	Washer 8,4x13X0,8	6	
17	GU06409800	Gasket	1	
18	GU28576591	Clip M6	6	
19	GU28576592	Nut with clip M6	6	
20	AP8102375	Clip m5	12	
21	883101	RH plate	1	

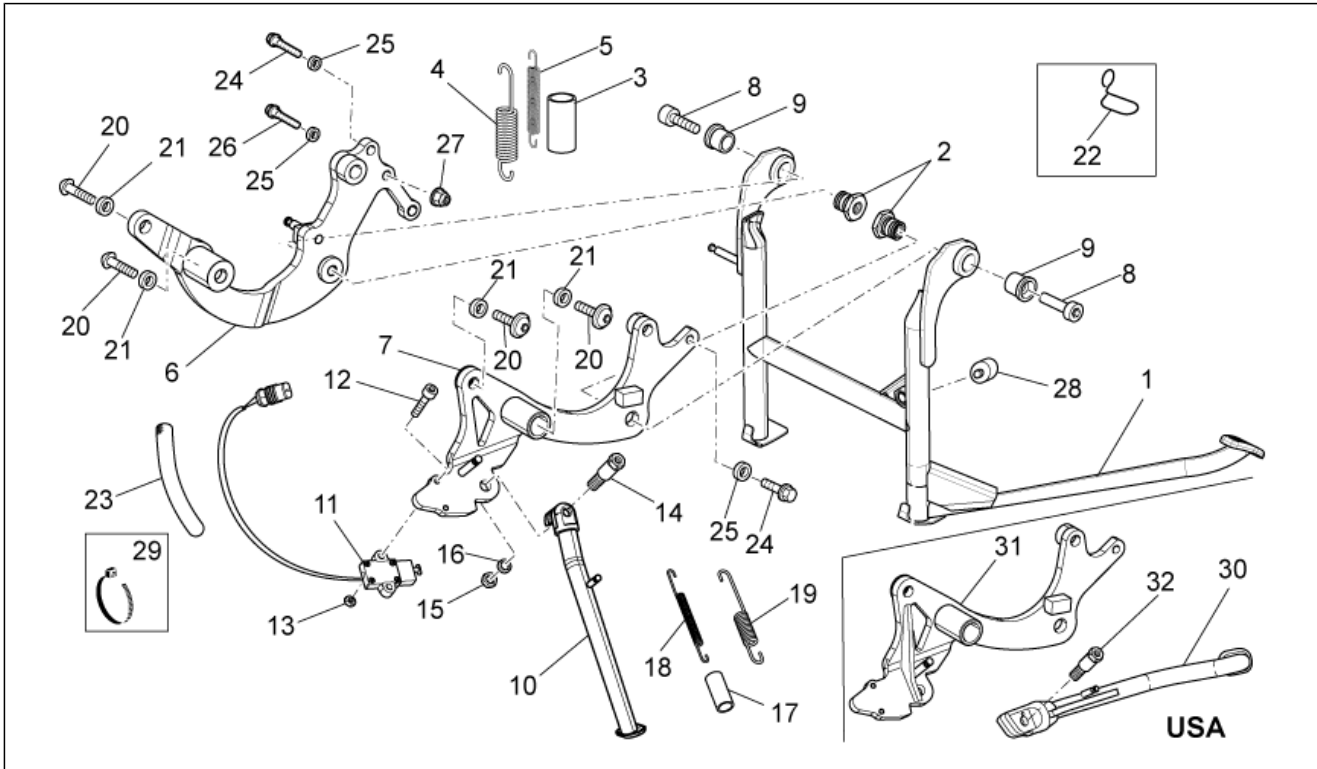
<b>Group</b>	FRAME
<b>Code</b>	33.02
<b>Description</b>	Frame II
<b>Service</b>	1



Pos.	Code	Description	Qty	Variants
1	886221	Front frame	1	Year:2010[A]
1	978022	Front frame	1	Year:2009[9]
2	GU98680440	Hex socket screw M8x40	2	
3	AP8152300	Self-locking nut M8	2	
4	AP8152279	Screw w/ flange M6x20	2	
5	GU95100141	Washer 6,4x12x1,2	2	
6	GU28576592	Nut with clip M6	2	



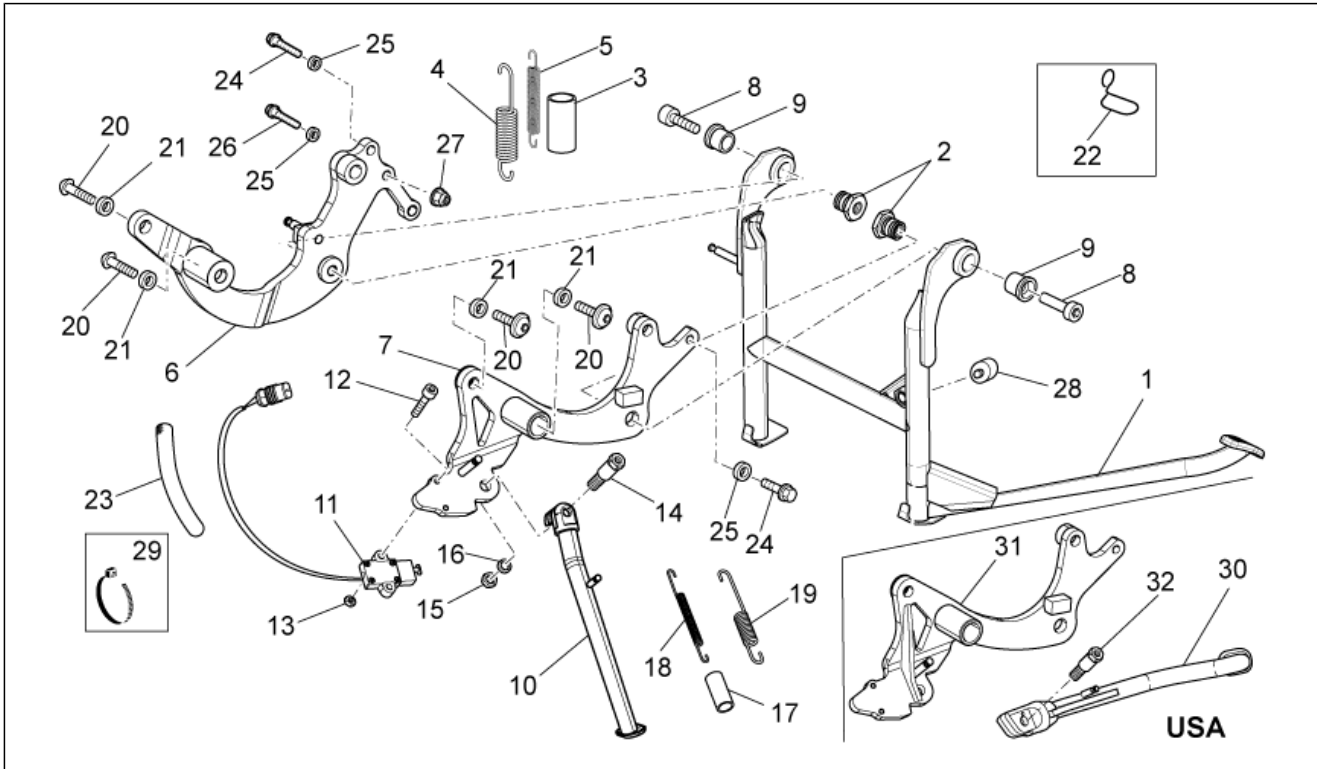
<b>Group</b>	FRAME
<b>Code</b>	33.03
<b>Description</b>	Stands
<b>Service</b>	1



Pos.	Code	Description	Qty	Variants
1	883656	Central stand	1	
2	AP8121467	Maintenance	2	
3	AP8178918	Stand spring protection	1	
4	AP8221317	Lateral stand spring	1	
5	AP8221318	Internal lateral stand spring	1	
6	883664	RH plate	1	
7	978002	LH plate	1	
8	GU98682530	Hex socket screw M10x30	2	
9	GU05429630	Bush	2	
10	978012	Lateral stand	1	
11	639542	Button for the side stand	1	
12	GU98612216	Hex socket screw	2	
13	GU95020105	Washer 5,3x8,9x2,4	2	
14	AP8121994	Central stand fixing screw	1	
15	AP8152001	Low nut M10x1,25	1	
16	AP8150292	Curved spring washer *	1	
17	AP8102524	Stand spring protection	1	
18	AP8221204	Lateral stand spring	1	
19	AP8221211	Internal lateral stand spring	1	
20	GU98231235	Hex socket screw M12x35	4	
21	GU30217900	Washer 13x18x1,7	2	
22	AP8120428	Cable-guide	1	
23	GU00823923140	Thermal sheath	1	
24	AP8152287	Screw w/ flange M8x25	1	
25	GU14615901	Washer 8,4X13X0,8	2	
26	GU97202435	screw	1	
27	AP8152300	Self-locking nut M8	1	
28	GU93242015	Pad	1	

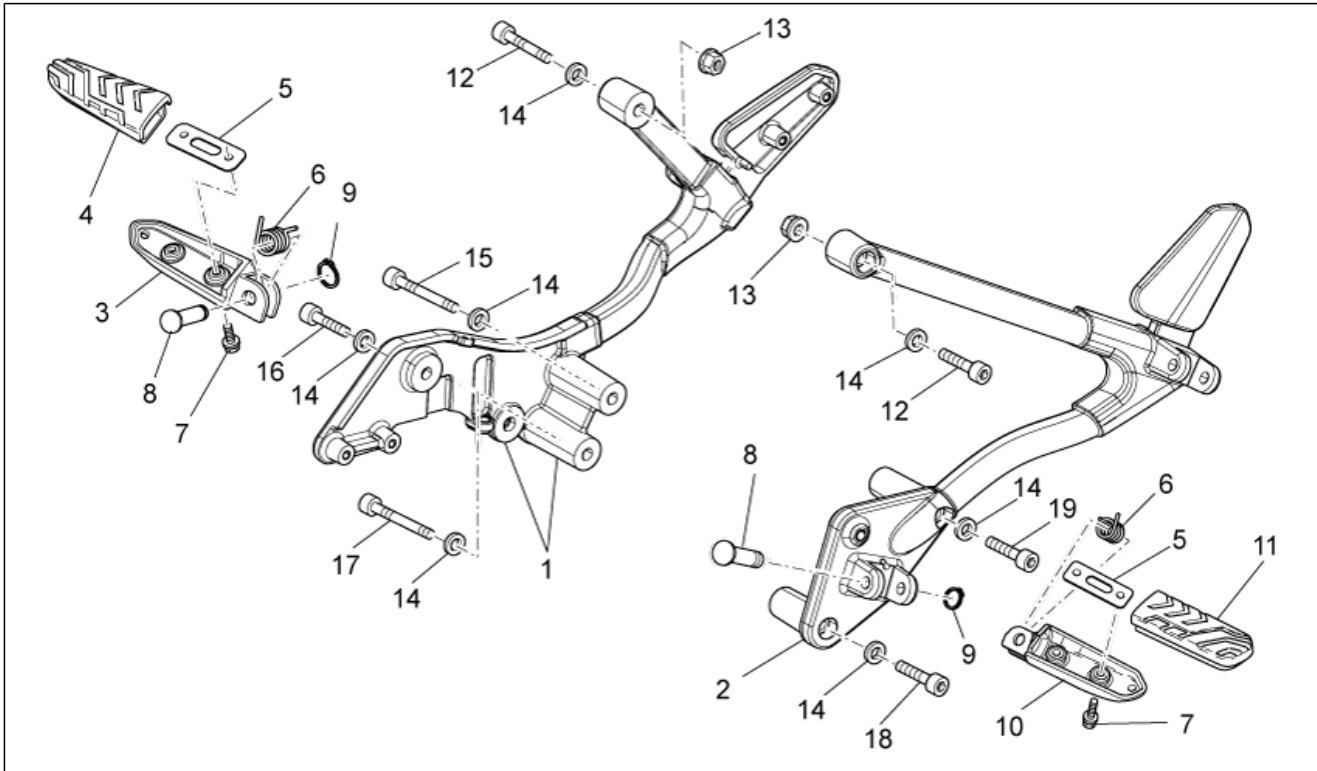


<b>Group</b>	FRAME
<b>Code</b>	33.03
<b>Description</b>	Stands
<b>Service</b>	1



Pos.	Code	Description	Qty	Variants
29	GU14609650	Hose clamp 3,6x20,6	2	
30	883413	LH plate	1	Country:Canadian[CA], United States of America[USA]
31	883208	Lateral stand	1	Country:Canadian[CA], United States of America[USA]
32	AP8121607	Central stand fixing screw	1	Country:Canadian[CA], United States of America[USA]

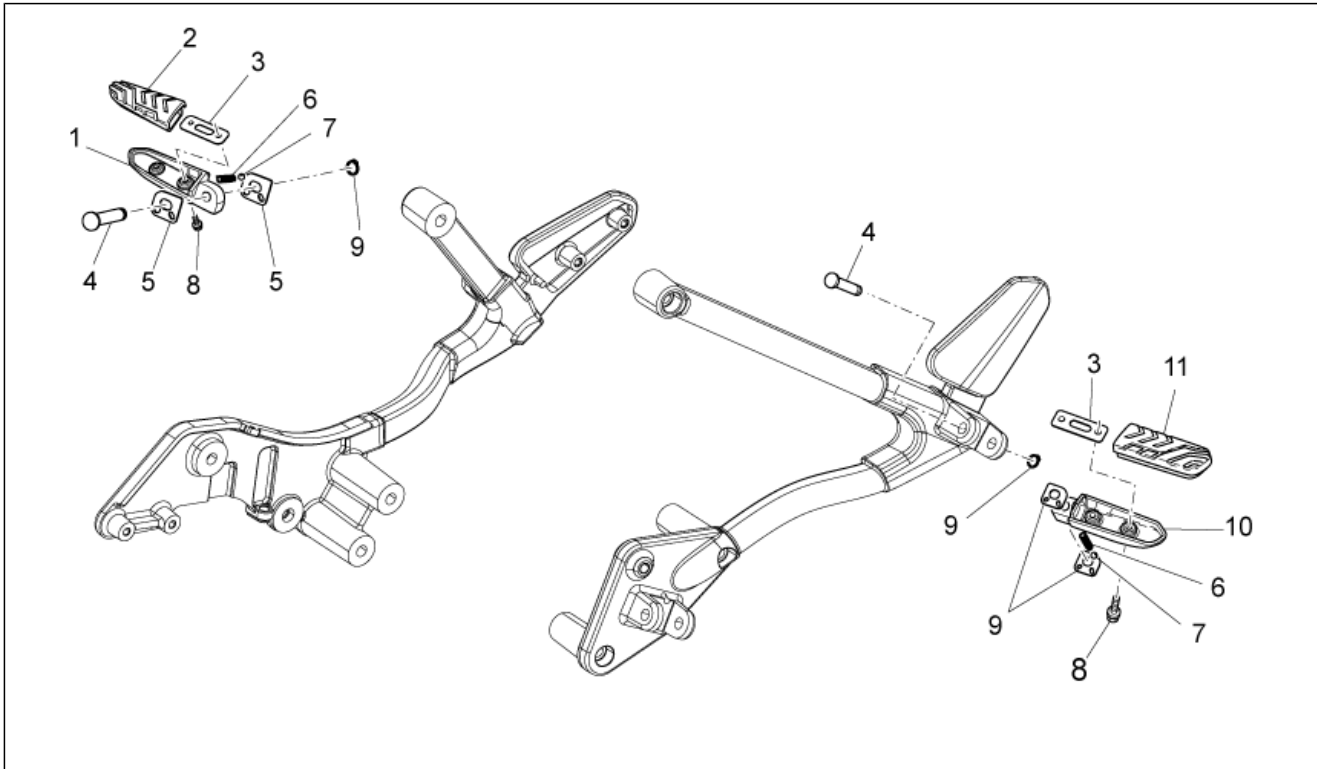
<b>Group</b>	FRAME
<b>Code</b>	33.04
<b>Description</b>	Front footrests
<b>Service</b>	1



Pos.	Code	Description	Qty	Variants
1	883102	RH foot rest support	1	
2	883103	LH footrest support	1	
3	886184	RH Foot rests	1	Year:2010[A]
3	AP8145034	RH Foot rests	1	Year:2009[9]
4	AP8120831	Footrest rubber	1	Year:2010[A]
4	GU32443210	Support rubber part	1	Year:2009[9]
5	AP8134276	Plate	2	Year:2010[A]
5	GU32441210	Plate	2	Year:2009[9]
6	AP8221277	Footrest return spring	2	
7	AP8152277	Screw w/ flange M6x12	4	
8	AP8121567	Pin	2	
9	AP8152409	Stop ring	2	
10	886185	LH Foot rests	1	Year:2010[A]
10	AP8145035	LH Foot rests	1	Year:2009[9]
11	AP8120831	Footrest rubber	1	Year:2010[A]
11	GU32443211	Support rubber part	1	Year:2009[9]
12	GU98680435	Hex socket screw M8x35	2	
13	AP8152300	Self-locking nut M8	2	
14	GU14615901	Washer 8,4X13X0,8	7	
15	GU98680480	screw	1	
16	GU98682425	Hex socket screw M8x25	1	
17	GU98680465	screw	1	
18	GU98680460	Hex socket screw M8x60	1	
19	GU98620485	screw	1	

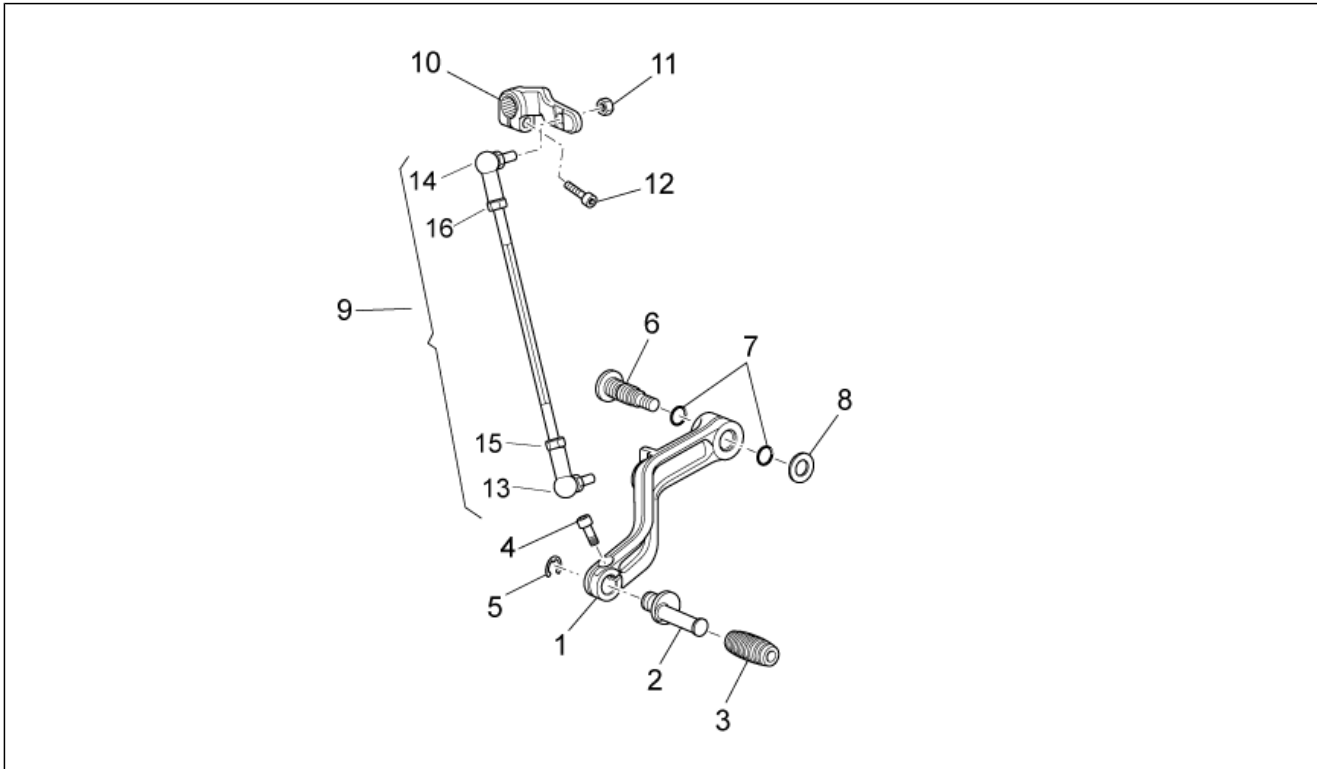


<b>Group</b>	FRAME
<b>Code</b>	33.05
<b>Description</b>	Rear footrests
<b>Service</b>	1



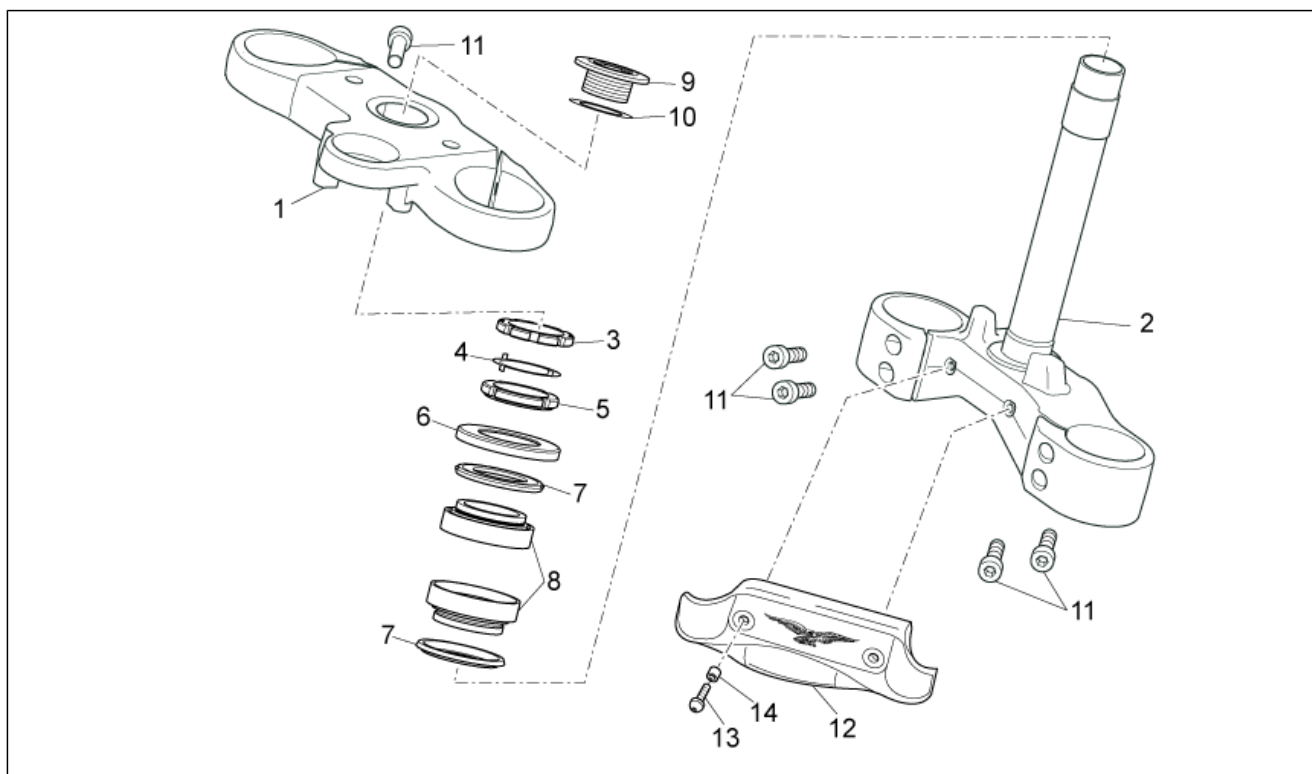
Pos.	Code	Description	Qty	Variants
1	GU32442310	Rear footrest, RH	1	
2	GU32443210	Support rubber part	1	
3	GU32441210	Plate	2	
4	AP8121567	Pin	2	
5	AP8134451	Footrest plate	4	
6	AP8121133	Coil compress. spring	2	
7	AP8101861	Ball D6,35	2	
8	AP8152277	Screw w/ flange M6x12	4	
9	AP8152409	Stop ring	2	
10	GU32442710	Rear footrest, LH	1	
11	GU32443211	Support rubber part	1	

<b>Group</b>	FRAME
<b>Code</b>	33.06
<b>Description</b>	Gear lever
<b>Service</b>	1



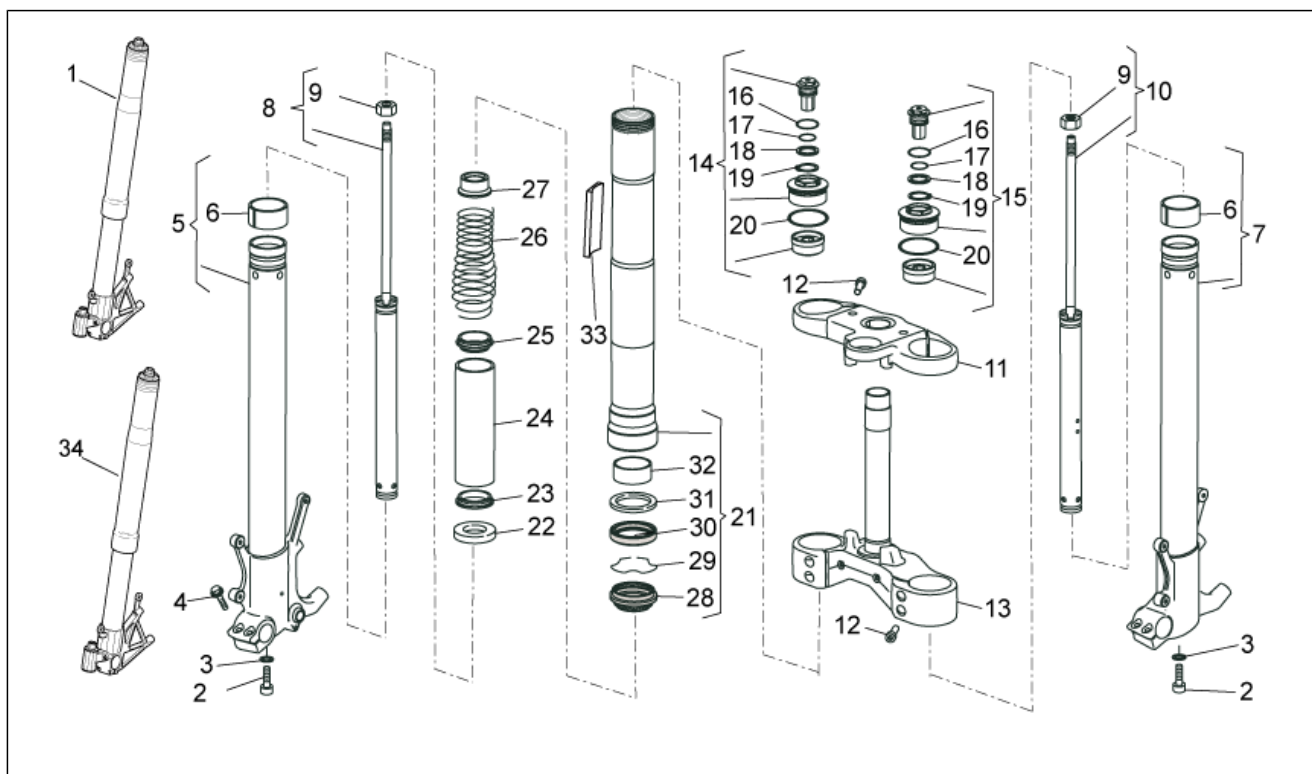
Pos.	Code	Description	Qty	Variants
1	GU06250900	Gear lever	1	
2	AP8121221	Brake lever pin	1	
3	AP8120912	Lever rubber	1	
4	GU98682316	Hex socket screw M6x16	1	
5	AP8150462	Circlip d9	1	
6	AP8121223	Rear brake lever pin	1	
7	AP8144007	O-ring 11,11x1,78	2	
8	GU95008210	Washer 10,2X18X2	1	
9	883044	Change gear tie rod compl.	1	
10	GU05256930	Lever	1	
11	GU92630707	Nut	2	
12	GU98682320	Hex socket screw M6x20	1	
13	GU32258110	Ball joint	1	
14	GU32258010	Ball joint	1	
15	GU92609206	Nut M6	1	
16	GU03256800	Nut M6	1	

<b>Group</b>	FRAME
<b>Code</b>	33.07
<b>Description</b>	Steering
<b>Service</b>	1



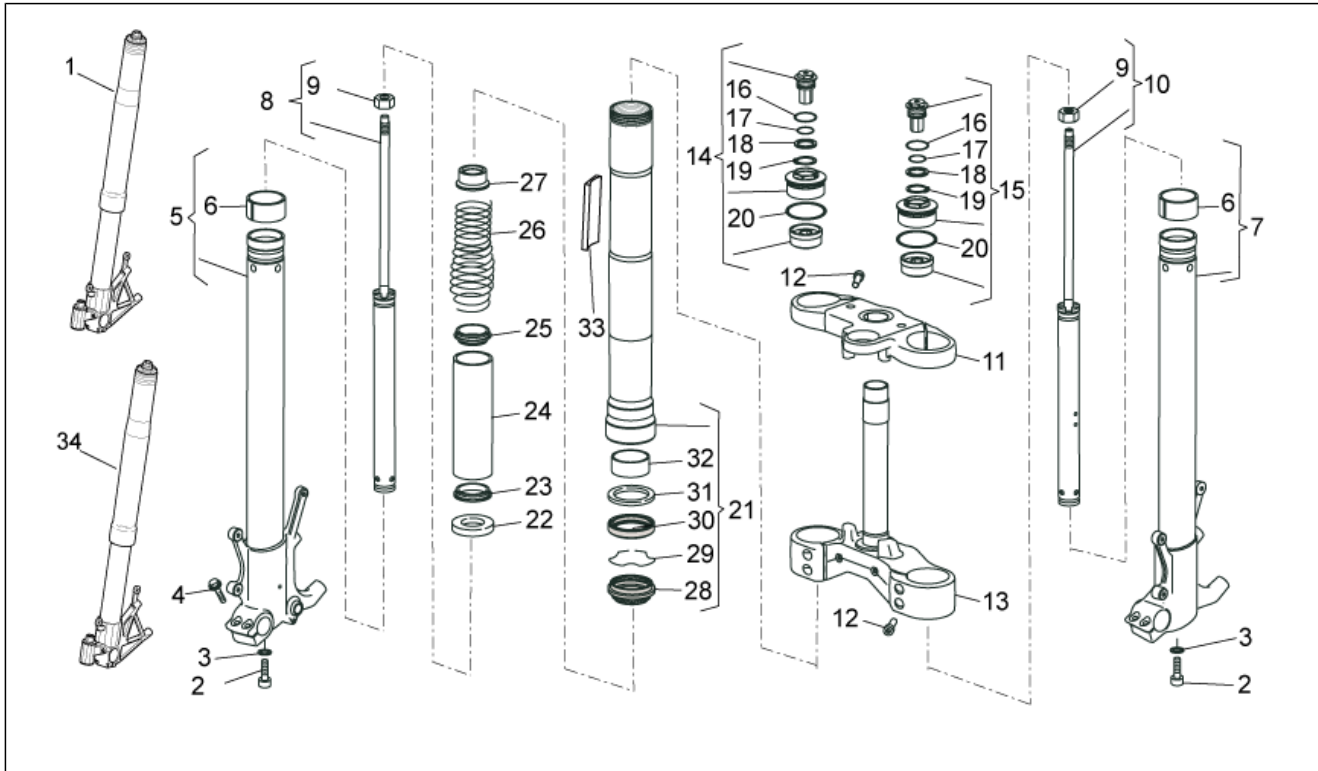
Pos.	Code	Description	Qty	Variants
1	886199	Fork upper plate D45	1	Year:2010[A]
1	978016	Fork upper plate	1	Year:2009[9]
2	886202	Stem base D45	1	Year:2010[A]
2	978018	Stem base	1	Year:2009[9]
3	AP8123643	Return ring nut	1	
4	AP8121207	Steering security plate	1	
5	AP8123642	Ring nut	1	
6	AP8123644	Dust cover ring	1	
7	AP8123641	Dust cover ring	2	
8	AP8110077	Axial ball bearing	2	
9	AP8121205	Upper plate fixing bush	1	
10	AP8152384	Stem plug washer	1	
11	GU98682430	Hex socket screw M8x30	6	
12	GU05658431	Brake hose fixing plate	1	
13	AP8152298	Screw w/ flange M5x16	2	
14	AP8221036	Bushing 5,3x8x7,1	2	

<b>Group</b>	FRAME
<b>Code</b>	33.08
<b>Description</b>	Front fork
<b>Service</b>	1



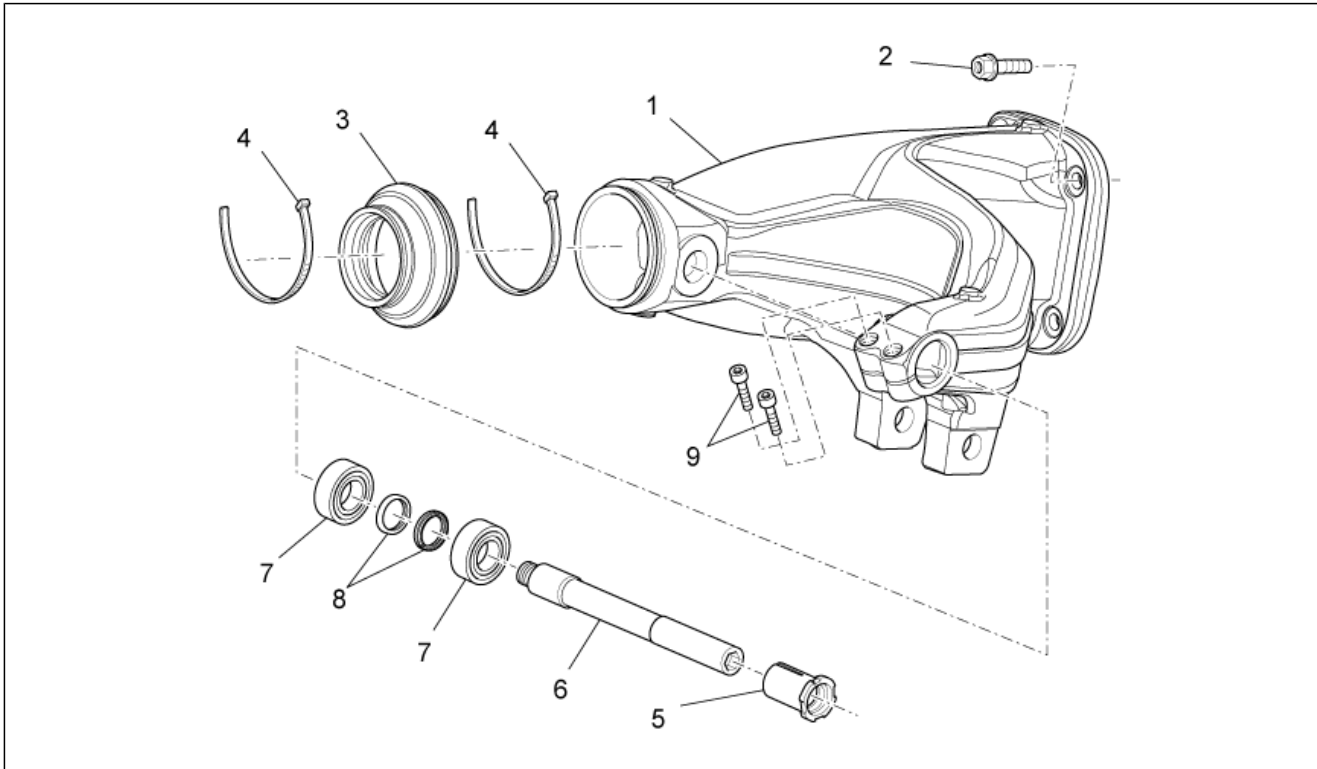
Pos.	Code	Description	Qty	Variants
1	883678	R.H. sleeve assy	1	Year:2009[9]
1	886191	R.H. sleeve assy D45	1	Year:2010[A]
2	GU01530588	screw	2	
3	AP8123206	Seal washer	2	
4	AP8150220	Hex socket screw M6x30	4	
5	886315	Hub+RH fork leg	1	Year:2010[A]
5	981022	Hub+RH fork leg	1	Year:2009[9]
6	854000	Lower bush	2	Year:2009[9]
6	AP9100856	Lower bush 45x20	2	Year:2010[A]
7	886317	Hub+LH fork leg	1	Year:2010[A]
7	981029	Hub+LH fork leg	1	Year:2009[9]
8	886319	RH plunger, complete	1	Year:2010[A]
8	981031	RH plunger, complete	1	Year:2009[9]
9	886321	Nut	2	Year:2010[A]
9	GU01530589	Nut	2	Year:2009[9]
10	886320	LH plunger, complete	1	Year:2010[A]
10	981032	LH plunger, complete	1	Year:2009[9]
11	886199	Fork upper plate D45	1	Year:2010[A]
11	978016	Fork upper plate	1	Year:2009[9]
12	GU98682430	Hex socket screw M8x30	6	
13	886202	Stem base D45	1	Year:2010[A]
13	978018	Stem base	1	Year:2009[9]
14	886324	RH sleeve plug	1	Year:2010[A]
14	981045	RH sleeve plug	1	Year:2009[9]
15	886316	LH sleeve plug	1	Year:2010[A]
15	981028	LH sleeve plug	1	Year:2009[9]
16	981024	O-ring	2	
17	981025	O-ring	2	

<b>Group</b>	FRAME
<b>Code</b>	33.08
<b>Description</b>	Front fork
<b>Service</b>	1



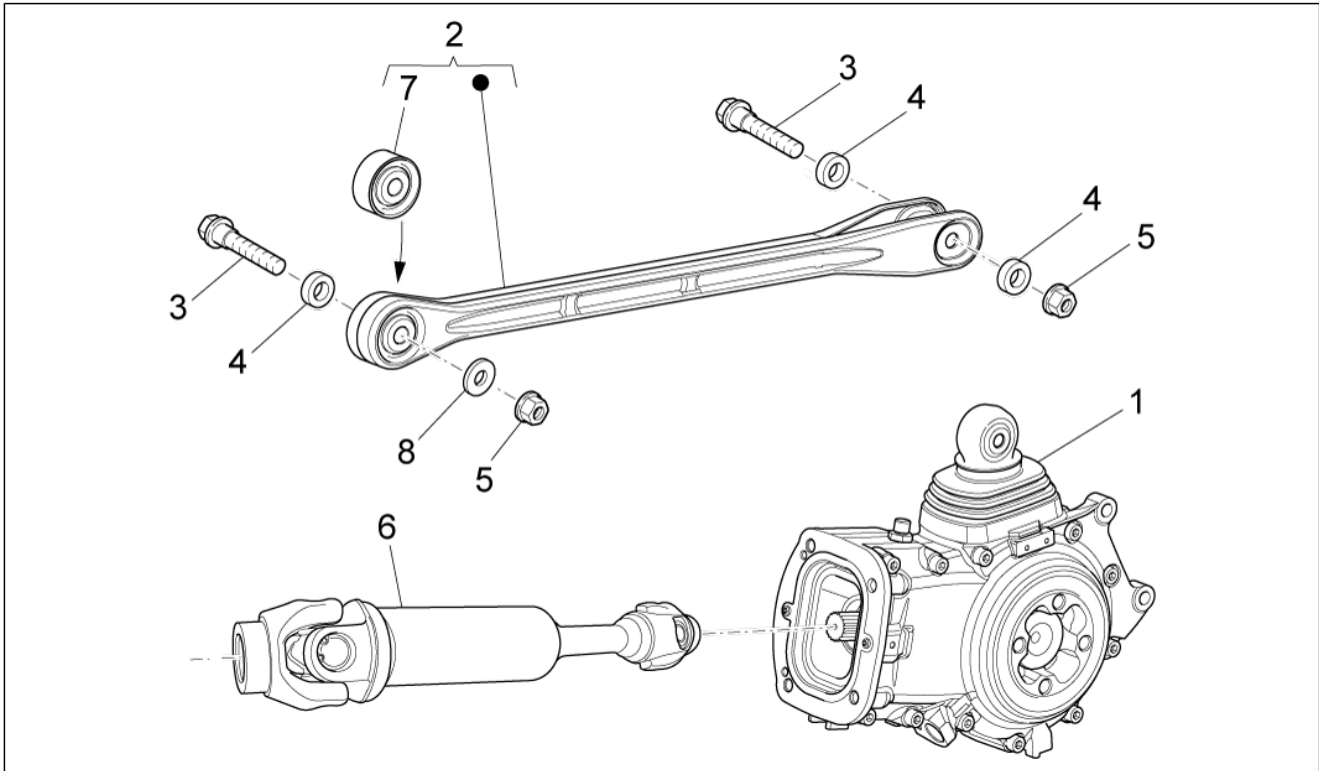
Pos.	Code	Description	Qty	Variants
18	981026	Washer	2	
19	981027	Stop ring	2	
20	886318	O-ring	2	Year:2010[A]
20	981152	O-ring	2	Year:2009[9]
21	886323	Sleeve cpl.	2	Year:2010[A]
21	981044	Sleeve cpl.	2	Year:2009[9]
22	981033	Spring seat	2	
23	981034	Spring guide	2	Year:2009[9]
24	981035	Preload tube	2	Year:2009[9]
24	AP8161254	Preload tube	2	Year:2010[A]
25	981036	Spring guide	2	Year:2009[9]
26	886322	Spring	2	Year:2010[A]
26	981037	Spring	2	Year:2009[9]
27	981038	Bushing	2	Year:2009[9]
28	AP8163072	Dust cover	2	Year:2009[9]
28	AP8163097	Dust cover D.45	2	Year:2010[A]
29	AP8163071	Stop ring	2	Year:2009[9]
29	AP8163096	Stop ring D.63	2	Year:2010[A]
30	AP8163070	Oil seal	2	Year:2009[9]
30	AP8163095	Gasket ring 45x58x11	2	Year:2010[A]
31	AP8163069	Ring	2	Year:2009[9]
31	AP8163094	Cup 58x46x3	2	Year:2010[A]
32	AP8163068	Bush	2	Year:2009[9]
32	AP9100855	Upper bush 45x15	2	Year:2010[A]
33	GU05781630	Reflector, amber	2	Country:Canadian[CA], United States of America[USA]
34	883679	L.H. sleeve assy	1	Year:2009[9]
34	886192	L.H. sleeve assy D45	1	Year:2010[A]

<b>Group</b>	FRAME
<b>Code</b>	33.09
<b>Description</b>	Swing arm
<b>Service</b>	1



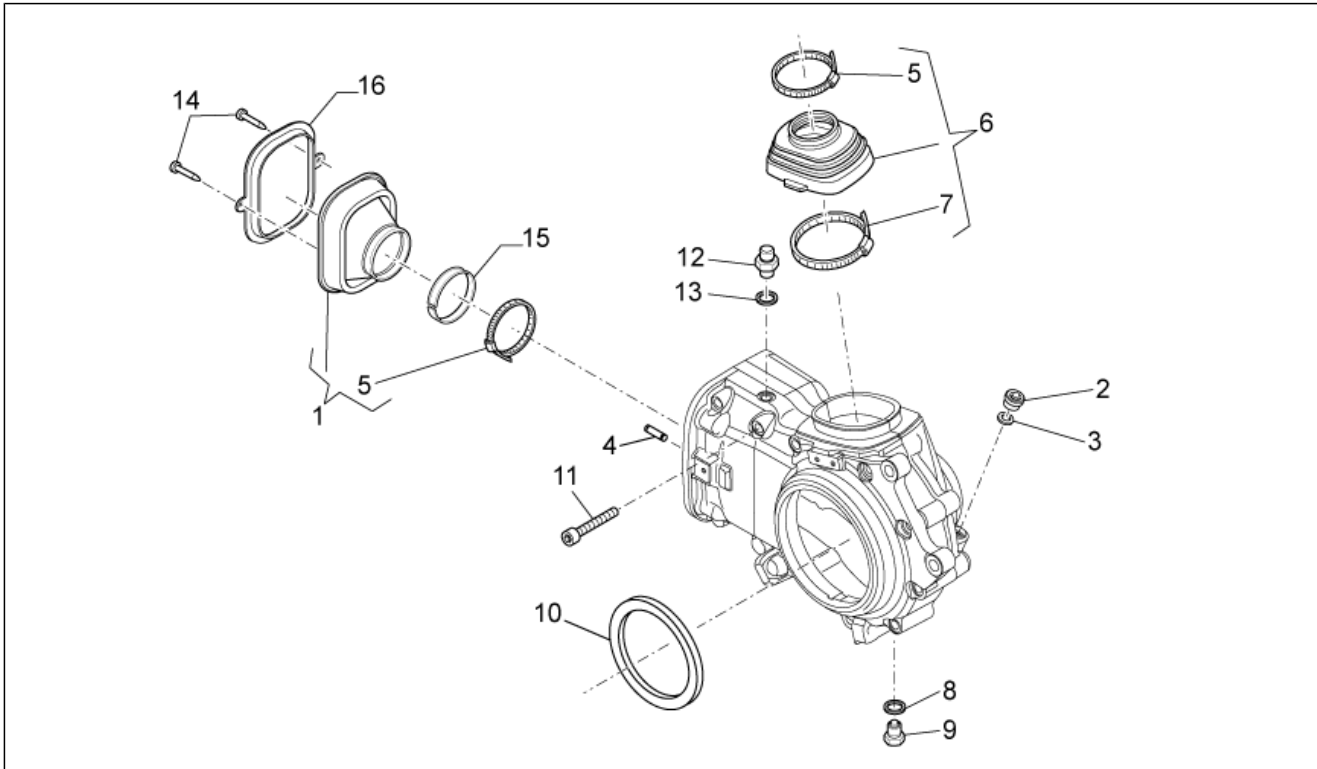
Pos.	Code	Description	Qty	Variants
1	978350	Swing arm, black	1	
2	AP8152318	Screw w/ flange M10x35	4	
3	GU05548030	Rubber bellows	1	
4	GU93304390	Hose clamp 3,6x375	2	
5	GU05547130	Bush	1	
6	GU05547030	Pin	1	
7	GU92249224	Roller bearing 25x47x17	2	
8	GU05547930	Gasket ring	2	
9	GU98682325	Hex socket screw M6x25	2	

<b>Group</b>	FRAME
<b>Code</b>	33.10
<b>Description</b>	Transmission complete
<b>Service</b>	1



Pos.	Code	Description	Qty	Variants
1	976570	Transmission complete black	1	
2	883046	Reaction rod assy.	1	
3	AP8152410	Screw w/ flange M10x55	2	
4	AP8121218	Spacer 10,2x20x4	3	
5	AP8152242	Nut	2	
6	GU05326330	Drive shaft	1	
7	883045	Silent-block	1	
8	GU14018400	Washer 10,5X21X1	1	

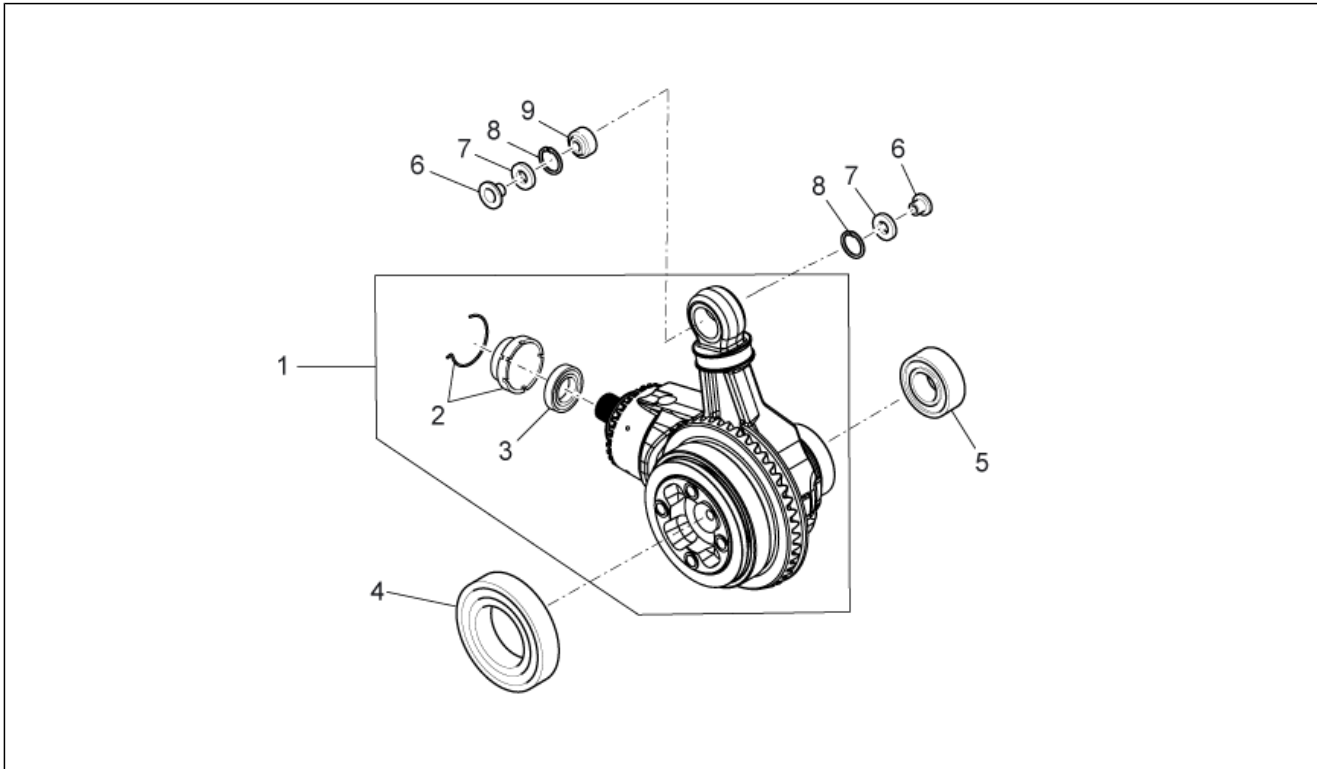
<b>Group</b>	FRAME
<b>Code</b>	33.11
<b>Description</b>	Trans.cpl.-Cage
<b>Service</b>	1



Pos.	Code	Description	Qty	Variants
1	GU05358330	Upper dust cover	1	
2	GU05351230	Oil plug M12x1,5	1	
3	GU90718120	Washer	1	
4	GU95510620	Pin 6x20	2	
5	GU05358130	Hose clamp	2	
6	GU05358030	Upper dust cover	1	
7	GU05358230	Hose clamp	1	
8	GU01528930	Gasket 10x18x1,5	1	
9	GU31003766	Oil unload plug M10x1	1	
10	GU90408511	Gasket ring 85x110x8BASL	1	
11	GU98680450	Hex socket screw M8x50	11	
12	GU05206530	Breather plug	1	
13	GU10528900	Gasket	1	
14	GU99210406	screw M3,9x6,5	2	
15	GU05358530	Ring	1	
16	GU05358630	Gasket	1	

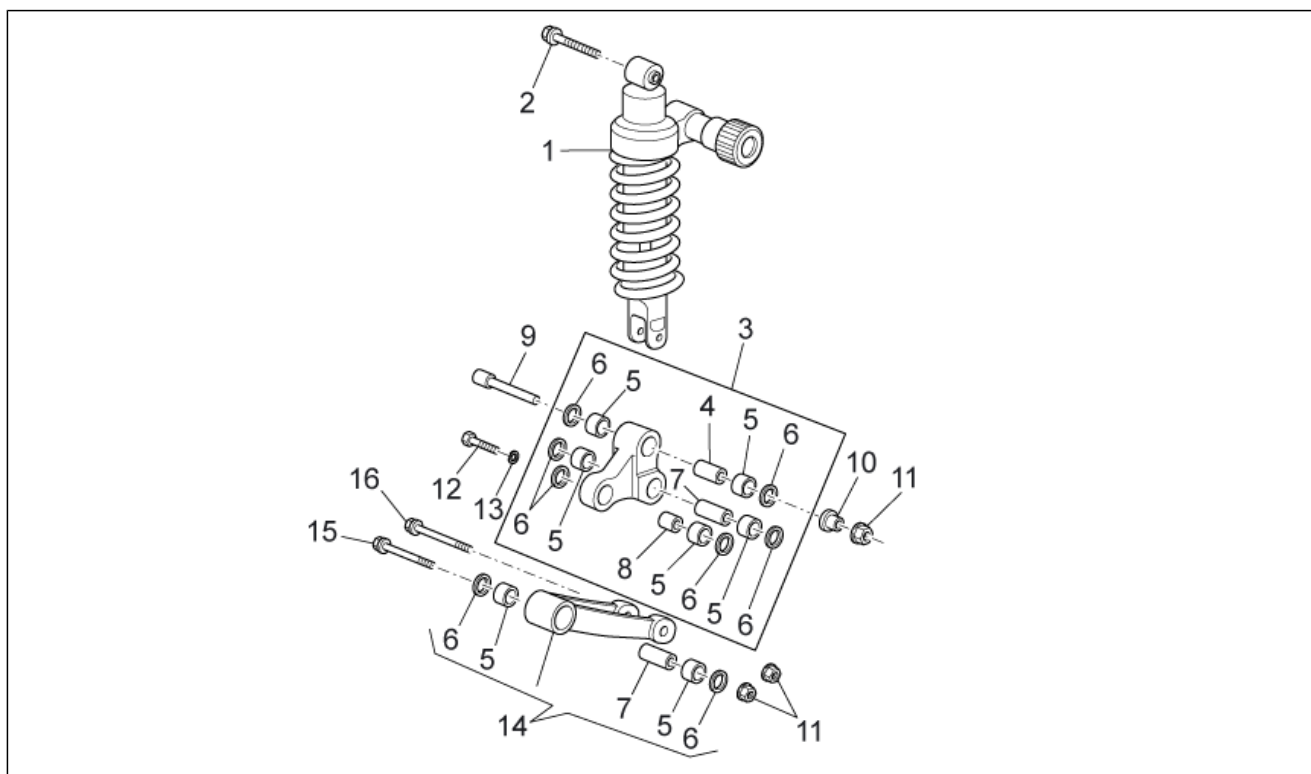


<b>Group</b>	FRAME
<b>Code</b>	33.12
<b>Description</b>	Trans.cpl.-Bevel gear
<b>Service</b>	1



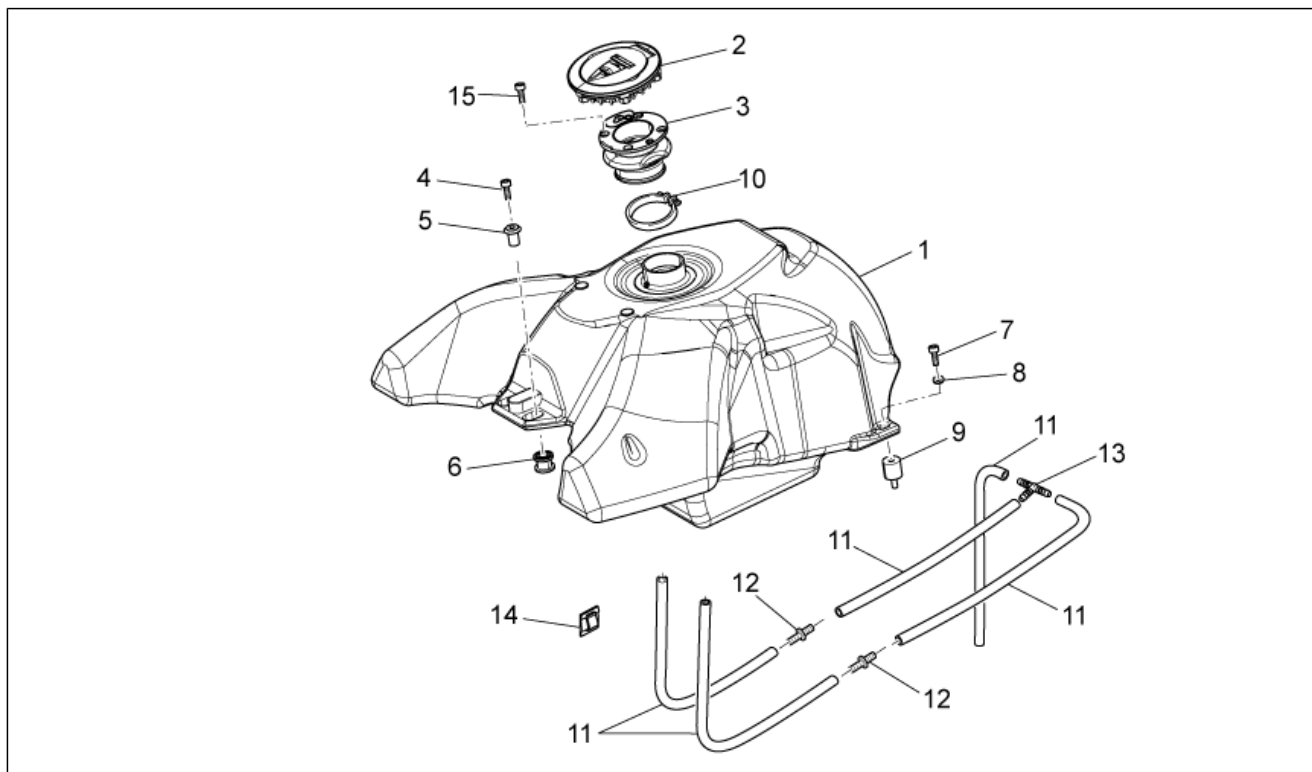
Pos.	Code	Description	Qty	Variants
1	976581	Bevel gear kit 12/44	1	
2	GU05352430	Ring nut	1	
3	GU90404558	Gasket ring 45x58x7	1	
4	GU92208518	Ball bearing 85x120x18	1	
5	GU92204230	Ball bearing 30x62x16	1	
6	AP8121098	Bush	2	
7	AP8120485	Gasket ring	2	
8	GU90273026	Circlip	2	
9	GU05638130	Ball joint	1	

<b>Group</b>	FRAME
<b>Code</b>	33.13
<b>Description</b>	Connecting rod - rear shock abs.
<b>Service</b>	1



Pos.	Code	Description	Qty	Variants
1	978006	Shock absorber	1	
2	AP8152398	Screw w/ flange M10x80	1	
3	GU05560330	Double conrod	1	
4	AP8135924	Double connecting rod pin L40	1	
5	AP8110066	Cage à rouleaux	7	
6	AP8110068	Oil seal D18x24x3	8	
7	GU05562030	Double connecting rod pin L47	2	
8	AP8135608	Double connecting rod pin L25	1	
9	AP8152397	Hex socket screw M10x82	1	
10	AP8121155	T bush *	1	
11	AP8152301	Self-locking nut	3	
12	AP8152147	Hex screw M10x47	1	
13	AP8150292	Curved spring washer *	1	
14	GU05562430	Single conrod comp.	1	
15	AP8152482	Screw w/ flange M10x85	1	
16	AP8152396	Screw w/ flange M10x95	1	

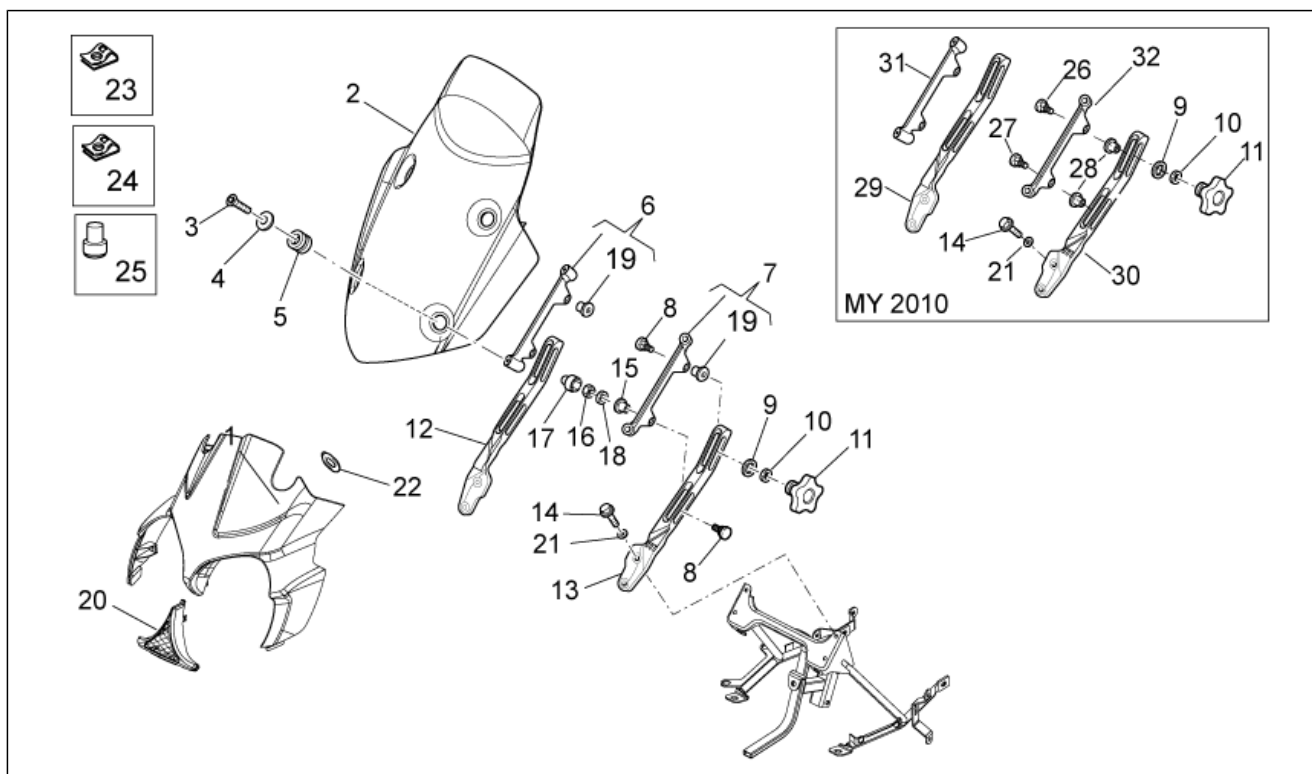
<b>Group</b>	FRAME
<b>Code</b>	33.14
<b>Description</b>	Fuel tank
<b>Service</b>	1



Pos.	Code	Description	Qty	Variants
1	883393	Fuel tank	1	Country:Canadian[CA], United States of America[USA]
1	883683	Fuel tank	1	Year:2009[9]
1	886233	Fuel tank	1	Year:2010[A]
2	GU05103930	Tank cap	1	
3	978642	Bellows	1	
4	GU98680340	Hex socket screw M6x40	2	
5	GU06107100	Fuel tank bush	2	
6	AP8144328	Rubber spacer	2	
7	AP8152279	Screw w/ flange M6x20	3	
8	GU95100141	Washer 6,4x12x1,2	2	
9	GU93222023	Silent-block	2	
10	GU93306020	Hose clamp 33x53x8	1	
11	AP8220263	Breather pipe 4x8	5	
12	GU06704700	Joint	2	
13	AP8104666	3-way union	1	
14	AP8120708	Cable-guide	8	
15	GU98692216	Hex socket screw	4	
16	883791	Plate	1	
17	GU95100125	Washer	1	

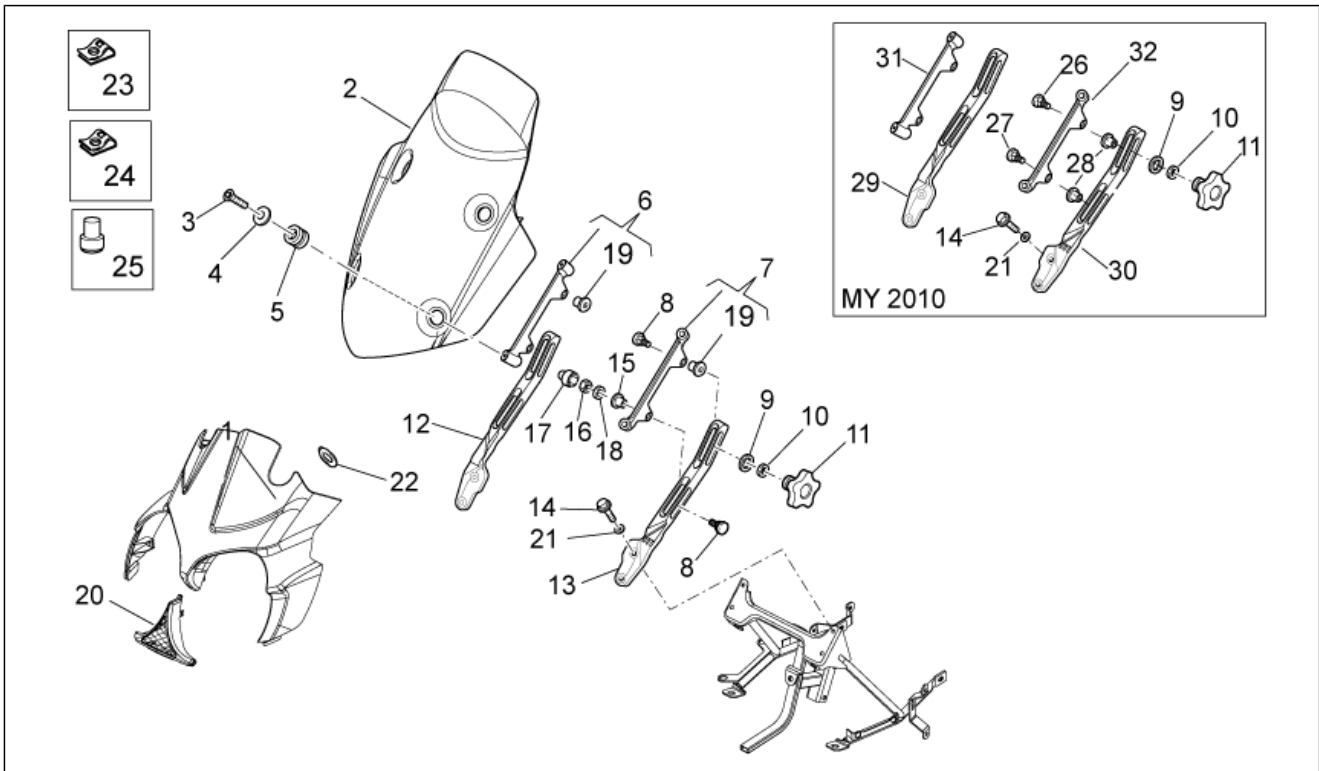


<b>Group</b>	FRAME
<b>Code</b>	33.15
<b>Description</b>	Front body - Front fairing
<b>Service</b>	1



Pos.	Code	Description	Qty	Variants
1	978418	Headlight windshield blank	1	
1	97841800Y11	Windshield, grey	1	
2	978423	Windscreen	1	
3	GU98257618	Screw M6x18	4	
4	269787	Special washer nero	4	
5	560173	Rubber spacer	4	
6	977583	RH support	1	Year:2009[9]
7	977584	LH support	1	Year:2009[9]
8	977600	Special screw	4	Year:2009[9]
9	GU95005310	Washer 8,4x18x2	2	
10	GU14615901	Washer 8,4X13X0,8	2	
11	977681	Knob	2	
12	977596	RH clamp	1	Year:2009[9]
13	977597	LH clamp	1	Year:2009[9]
14	598839	Screw w/ flange	4	
15	977698	T bush 8,2x10,2x11,6	2	Year:2009[9]
16	GU92640708	Nut M8	2	Year:2009[9]
17	978170	Black plug	2	Year:2009[9]
18	GU03270300	Washer 8,4x15	2	Year:2009[9]
19	977699	T bush 8,2x10,2x4	4	Year:2009[9]
20	883069	Light frame, black	1	
21	GU14217901	Washer 6,4x10x0,7	4	
22	463195	Elastic drift	2	
23	AP8102375	Clip m5	2	
24	AP8102381	Clip M4	5	
25	AP8120876	Plug	1	
26	886078	Threaded pin	2	Year:2010[A]
27	886079	Threaded pin	2	Year:2010[A]

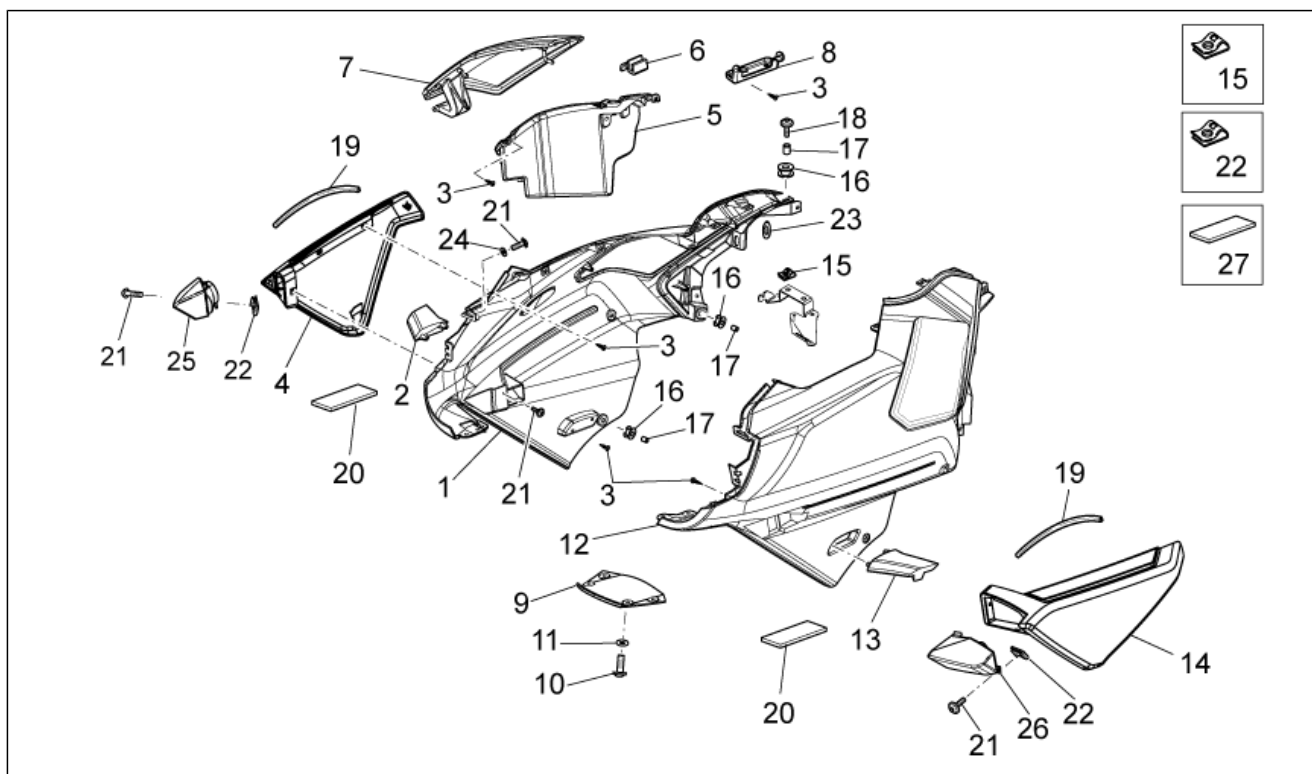
<b>Group</b>	FRAME
<b>Code</b>	33.15
<b>Description</b>	Front body - Front fairing
<b>Service</b>	1



Pos.	Code	Description	Qty	Variants
28	886236	T bush	4	Year:2010[A]
29	886197	RH clamp	1	Year:2010[A]
30	886198	LH clamp	1	Year:2010[A]
31	886195	RH support	1	Year:2010[A]
32	886196	LH support	1	Year:2010[A]



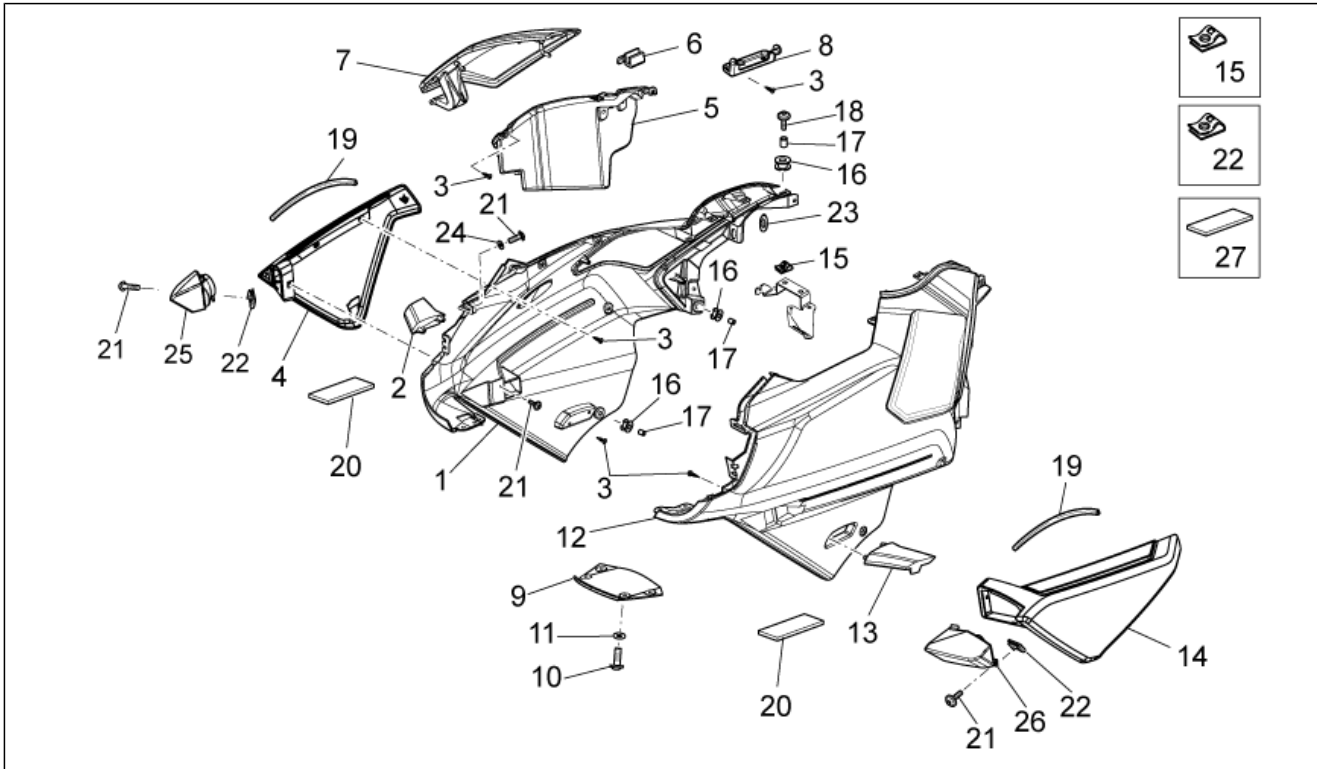
<b>Group</b>	FRAME
<b>Code</b>	33.16
<b>Description</b>	Front body - Duct
<b>Service</b>	1



Pos.	Code	Description	Qty	Variants
1	88307000BM	RH side fairing, white	1	Vehicle colour:White 2009[wh]
1	88307000Y01	RH lat.fairing, red	1	Vehicle colour:Guzzi Red 2009[r/red]
1	88307000Y02	RH lat.fairing, black	1	Vehicle colour:BLACK 2009[bl]
1	88307000YE1	RH lat.fairing, grey	1	Vehicle colour:Silver Crowd (s.t.886112)[sc]
1	88307000YG2	RH lat.fairing, bronze	1	Vehicle colour:Bronze 2009[bron]
1	88307000YG3	RH lat.fairing, brio yellow	1	Year:2010[A] Vehicle colour:Brio Yellow[gial]
1	978416	RH lateral fairing, blank	1	
2	978687	RH baffle	1	
3	AP8150413	Self-tap screw 3,9x14	10	
4	88307400Y10	RH air duct Silver	1	Vehicle colour:BLACK 2009[bl], Brio Yellow[gial], Guzzi Red 2009[r/red], White 2009[wh]
4	88307400Y11	RH air duct Technogrey	1	Vehicle colour:Bronze 2009[bron]
4	88307400Y11	RH air duct Technogrey	1	Vehicle colour:Silver Crowd (s.t.886112)[sc] Country:Australia[AUS], europe[EU], Japan[J] Technical Specifications:NTX version[ntx]
4	88618000Y11	RH air duct Tech	1	Vehicle colour:Silver Crowd (s.t.886112)[sc] Country:Canadian[CA], United States of America[USA] Technical Specifications:Standard Version[std]
5	978431	Glove compartment	1	
6	883140	Gasket	1	
7	88307800BM	RH lat. inspection cover, white	1	Vehicle colour:White 2009[wh]
7	88307800Y01	RH lat. inspection cover, red	1	Vehicle colour:Guzzi Red 2009[r/red]
7	88307800Y02	RH lat.inspection cover, black	1	Vehicle colour:BLACK 2009[bl]
7	88307800Y11	RH side cover Technogr	1	Vehicle colour:Bronze 2009[bron]
7	88307800Y11	RH side cover Technogr	1	Vehicle colour:Silver Crowd (s.t.886112)[sc]
7	88307800YG3	RH side cover	1	Year:2010[A] Vehicle colour:Brio Yellow[gial]
8	978641	Plate	1	
9	978640	Low.fairing, black	1	

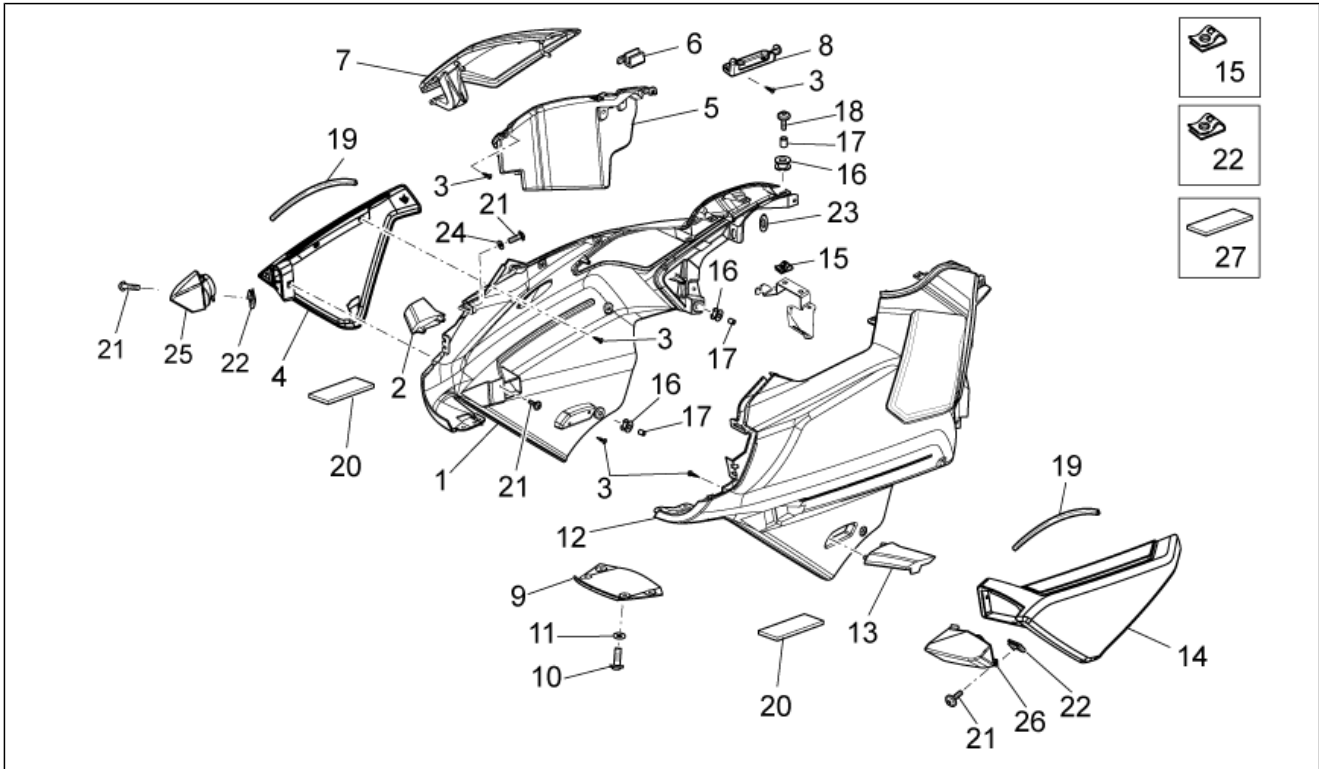


<b>Group</b>	FRAME
<b>Code</b>	33.16
<b>Description</b>	Front body - Duct
<b>Service</b>	1



Pos.	Code	Description	Qty	Variants
10	GU98710215	Screw	4	
11	GU01577830	Nylon washer	4	
12	88307100BM	LH side fairing, white	1	Vehicle colour:White 2009[wh]
12	88307100Y01	LH lat.fairing, red	1	Vehicle colour:Guzzi Red 2009[r/red]
12	88307100Y02	LH lat.fairing, black	1	Vehicle colour:BLACK 2009[bl]
12	88307100YE1	LH lat.fairing, grey	1	Vehicle colour:Silver Crowd (s.t.886112)[sc]
12	88307100YG2	LH lat.fairing, bronze	1	Vehicle colour:Bronze 2009[bron]
12	88307100YG3	LH lat.fairing, brio yellow	1	Year:2010[A] Vehicle colour:Brio Yellow[gial]
12	978417	LH lateral fairing, blank	1	
13	978688	LH baffle	1	
14	88307300Y10	LH air duct Silver	1	Vehicle colour:BLACK 2009[bl], Brio Yellow[gial], Guzzi Red 2009[r/red], White 2009[wh]
14	88307300Y11	LH air duct Technogrey	1	Vehicle colour:Bronze 2009[bron]
14	88307300Y11	LH air duct Technogrey	1	Vehicle colour:Silver Crowd (s.t.886112)[sc] Country:Australia[AUS], europe[EU], Japan[J] Technical Specifications:NTX version[ntx]
14	88618100Y11	LH air duct Tech	1	Vehicle colour:Silver Crowd (s.t.886112)[sc] Country:Canadian[CA], United States of America[USA] Technical Specifications:Standard Version[std]
15	AP8102375	Clip m5	10	
16	978152	Rubber spacer	8	
17	GU91180600	Spacer 6,25x8x5	8	
18	AP8152302	Screw w/ flange M5x12	6	
19	GU00823931055	Gasket	2	
20	AP8117200	Adhesive sponge	2	
21	GU98370412	Hex socket screw M4x12	6	
22	AP8102381	Clip M4	12	
23	463195	Elastic drift	2	

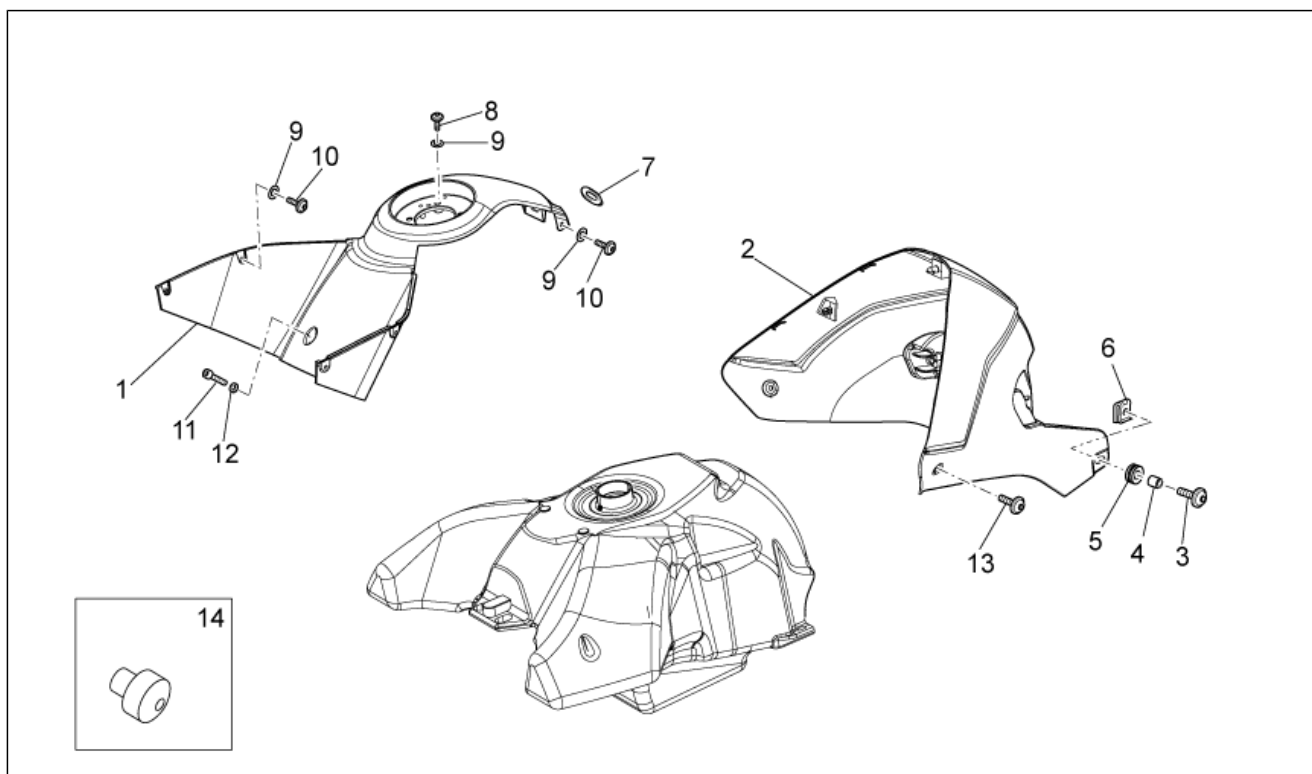
<b>Group</b>	FRAME
<b>Code</b>	33.16
<b>Description</b>	Front body - Duct
<b>Service</b>	1



Pos.	Code	Description	Qty	Variants
24	AP8144565	Nylon washer	10	
25	88346700Y11	Tappo dx grigio	1	Country:Australia[AUS], Canadian[CA], United States of America[USA]
26	88346800Y11	Tappo sx grigio	1	Country:Australia[AUS], Canadian[CA], United States of America[USA]
27	GU00823933010	Adhesive sponge SE40 8x10	1	

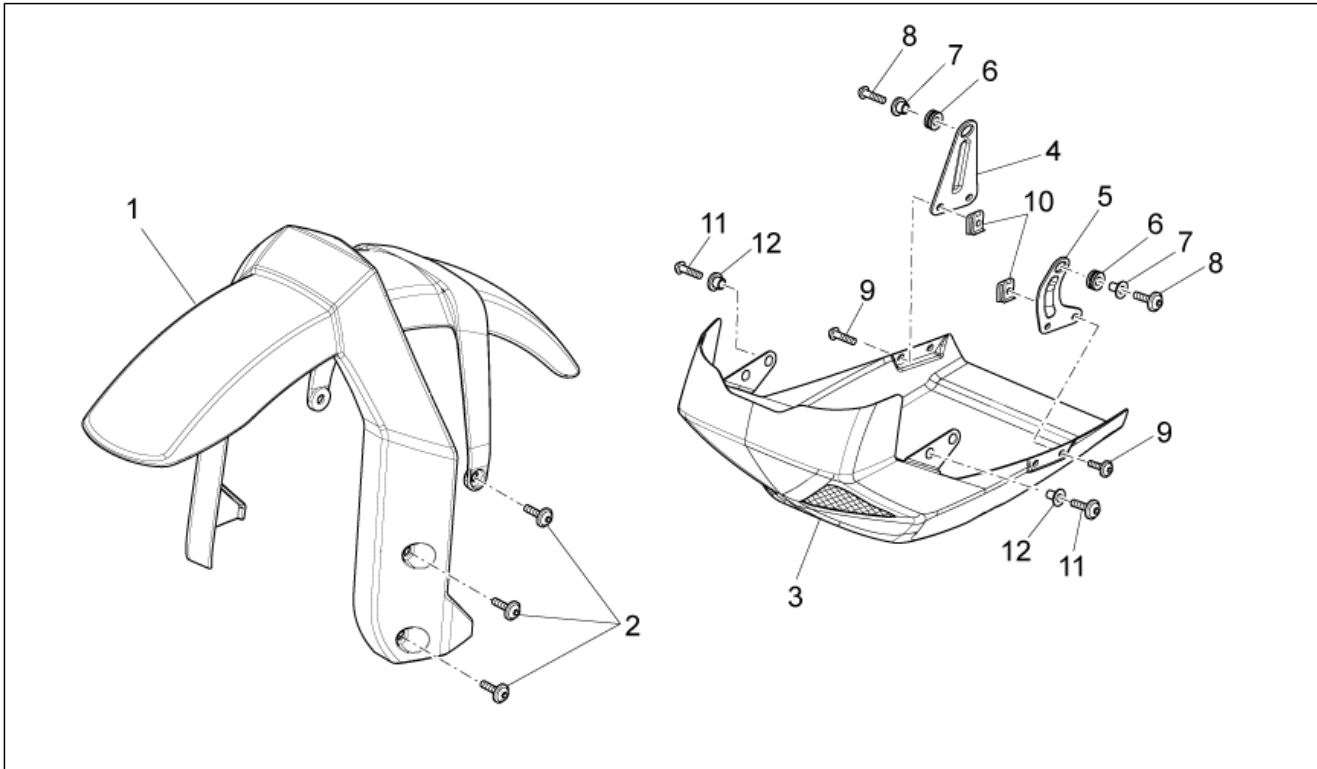


<b>Group</b>	FRAME
<b>Code</b>	33.17
<b>Description</b>	Central body
<b>Service</b>	1



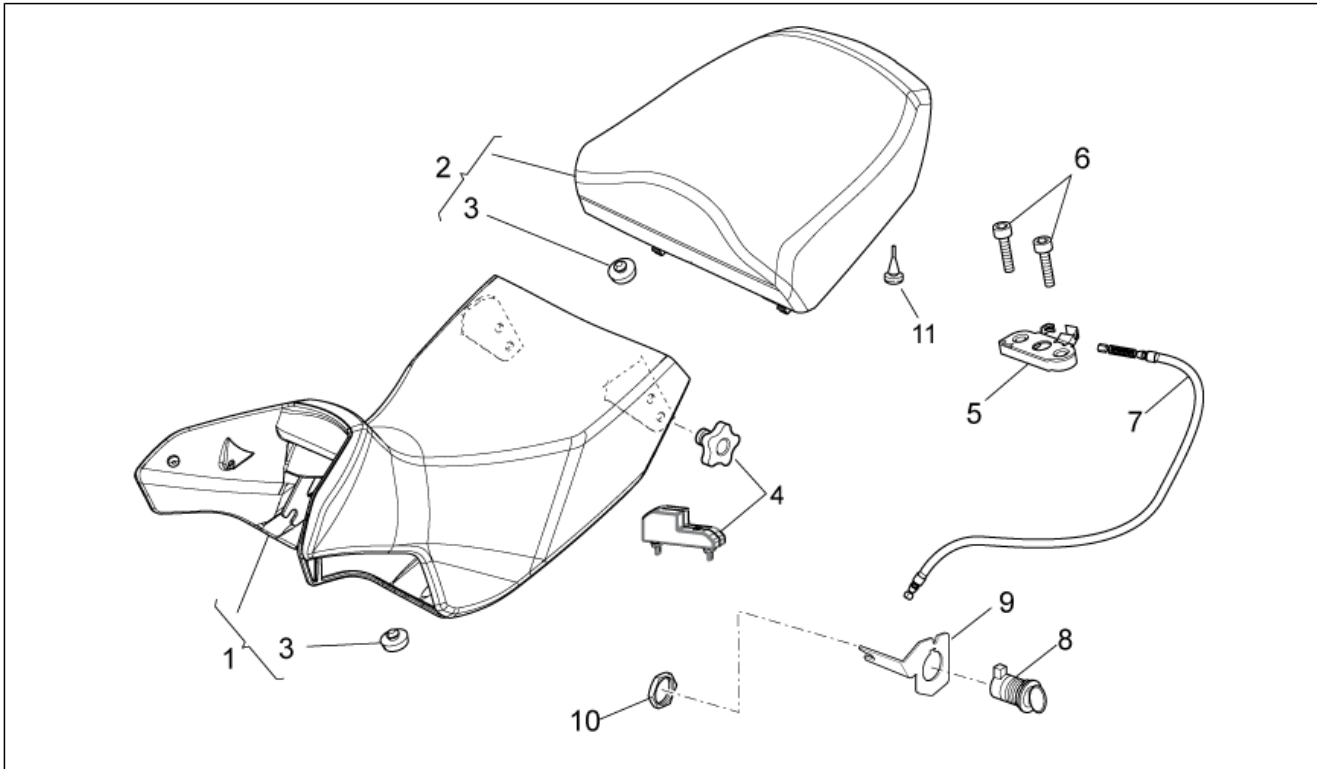
Pos.	Code	Description	Qty	Variants
1	978419	Cover stopper tank blank	1	
1	97841900BM	Cover stopper tank white	1	Vehicle colour:White 2009[wh]
1	97841900Y01	Cover stopper tank red	1	Vehicle colour:Guzzi Red 2009[r/red]
1	97841900Y02	Cover stopper tank black	1	Vehicle colour:BLACK 2009[bl]
1	97841900YE1	Cover stopper tank grey	1	Vehicle colour:Silver Crowd (s.t.886112)[sc]
1	97841900YG2	Cover tank bronze	1	Vehicle colour:Bronze 2009[bron]
1	97841900YG3	Cover stopper tank yellow	1	Year:2010[A] Vehicle colour:Brio Yellow[gial]
2	97863400Y11	Cover tank grey	1	
3	AP8152302	Screw w/ flange M5x12	2	
4	GU91180600	Spacer 6,25x8x5	2	
5	978152	Rubber spacer	2	
6	AP8102375	Clip m5	2	
7	463195	Elastic drift	1	
8	AP8150493	Hex socket screw M4x16	4	
9	AP8144565	Nylon washer	10	
10	GU98370412	Hex socket screw M4x12	6	
11	GU98682212	Hex socket screw M5x12	1	
12	GU95008205	Washer 5,3x10x0,8	1	
13	AP8152339	Screw w/ flange M5x9	4	
14	AP8144081	Rubber spacer	1	

<b>Group</b>	FRAME
<b>Code</b>	33.18
<b>Description</b>	Front mud.-Pillar
<b>Service</b>	1



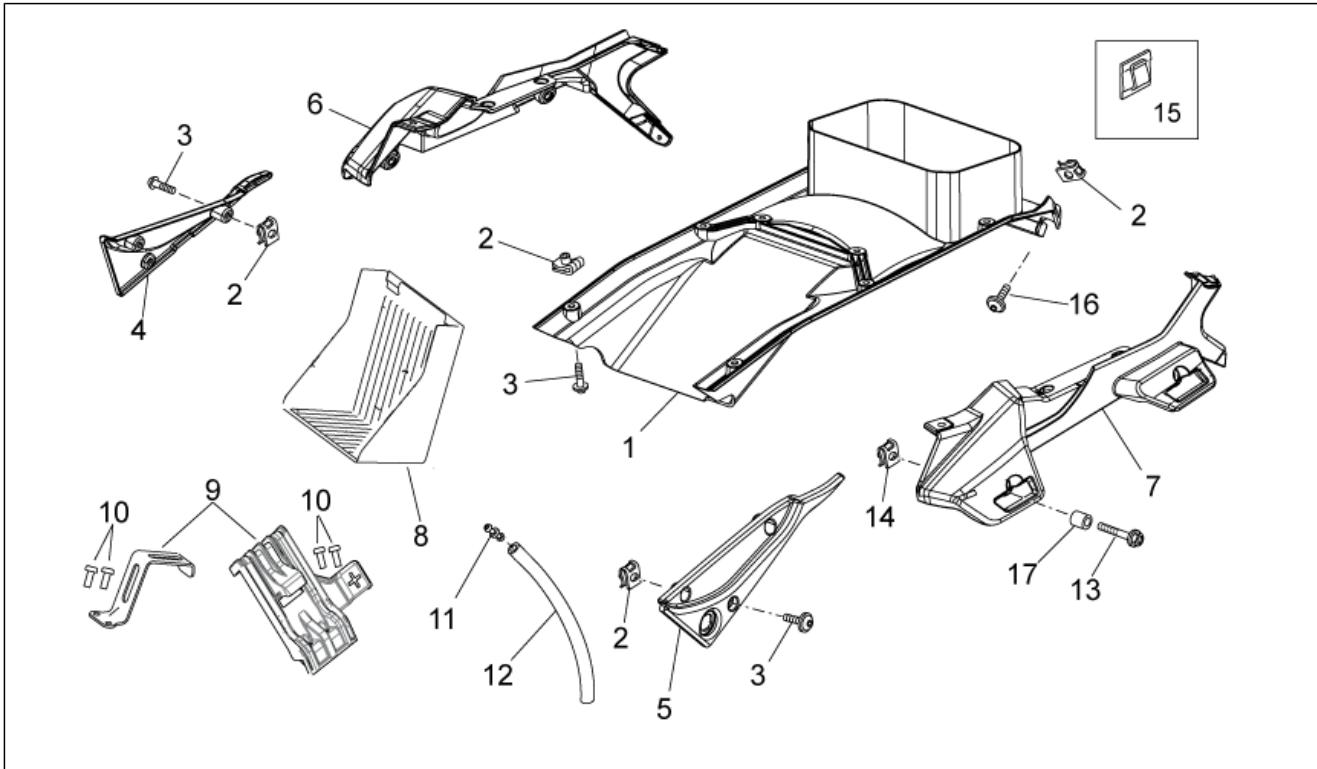
Pos.	Code	Description	Qty	Variants
1	88625400BM	Front mudguard, white	1	Year:2010[A] Vehicle colour:White 2009[wh]
1	88625400Y01	Front mudguard, red	1	Year:2010[A] Vehicle colour:Guzzi Red 2009[r/red]
1	88625400Y02	Front mudguard, black	1	Year:2010[A] Vehicle colour:BLACK 2009[bl]
1	88625400YG3	Front mudguard, yellow	1	Year:2010[A] Vehicle colour:Brio Yellow[gial]
1	978445	Front mudguard blank	1	
1	97844500BM	Front mudguard, white/grey	1	Year:2009[9] Vehicle colour:White 2009[wh]
1	97844500Y01	Front mudguard, red/grey	1	Year:2009[9] Vehicle colour:Guzzi Red 2009[r/red]
1	97844500Y02	Front mudguard, black/grey	1	Year:2009[9] Vehicle colour:BLACK 2009[bl]
1	97844500YE1	Front mudguard, grey	1	Year:2009[9], 2010[A] Vehicle colour:Silver Crowd (s.t.886112)[sc]
1	97844500YG2	Front mudguard bronze	1	Vehicle colour:Bronze 2009[bron]
2	AP8152339	Screw w/ flange M5x9	6	
3	886329	Pillar, black	1	Year:2010[A]
3	97885300Y10	Pillar, grey	1	Year:2009[9]
4	978777	RH clamp	1	
5	978776	LH clamp	1	
6	GU91551010	Rubber spacer	2	
7	AP8221128	T bush 8,5x10,7x12	2	
8	GU98350425	Hex socket screw	2	
9	AP8152339	Screw w/ flange M5x9	4	
10	AP8102375	Clip m5	4	
11	GU98350416	Hex socket screw M8x16	4	
12	AP8121096	T bush 8,2x12x4	4	

<b>Group</b>	FRAME
<b>Code</b>	33.19
<b>Description</b>	Saddle
<b>Service</b>	1



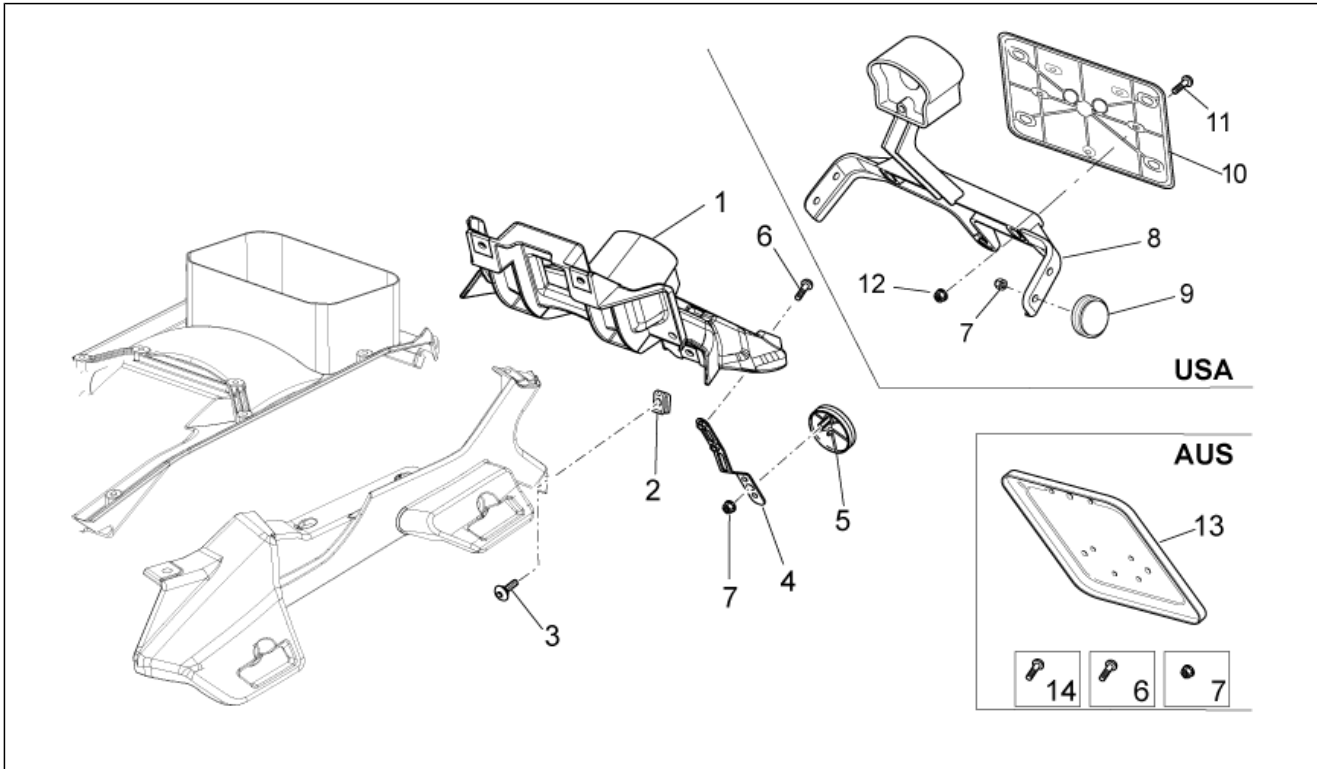
Pos.	Code	Description	Qty	Variants
1	88617600A1	Driver saddle	1	Year:2010[A]
1	978453	Driver saddle	1	Year:2009[9]
2	88621100A1	Rear saddle	1	Year:2010[A]
2	978454	Rear saddle	1	Year:2009[9]
3	GU32461610	Rubber spacer	5	Year:2010[A]
3	GU32461610	Rubber spacer	9	Year:2009[9]
4	883054	Knob	2	Year:2009[9]
4	886175	Rubber spacer	4	Year:2010[A]
5	AP8102913	Pass.saddle connecting plate	1	
6	GU98370625	Hex socket screw	2	
7	883048	Saddle release cable	1	
8	GU05466830	Saddle lock	1	
9	AP8134948	Plate	1	
10	AP8102523	Lock nut M22x1,5	1	
11	GU19705900	Pad	2	

<b>Group</b>	FRAME
<b>Code</b>	33.20
<b>Description</b>	Rear body I
<b>Service</b>	1



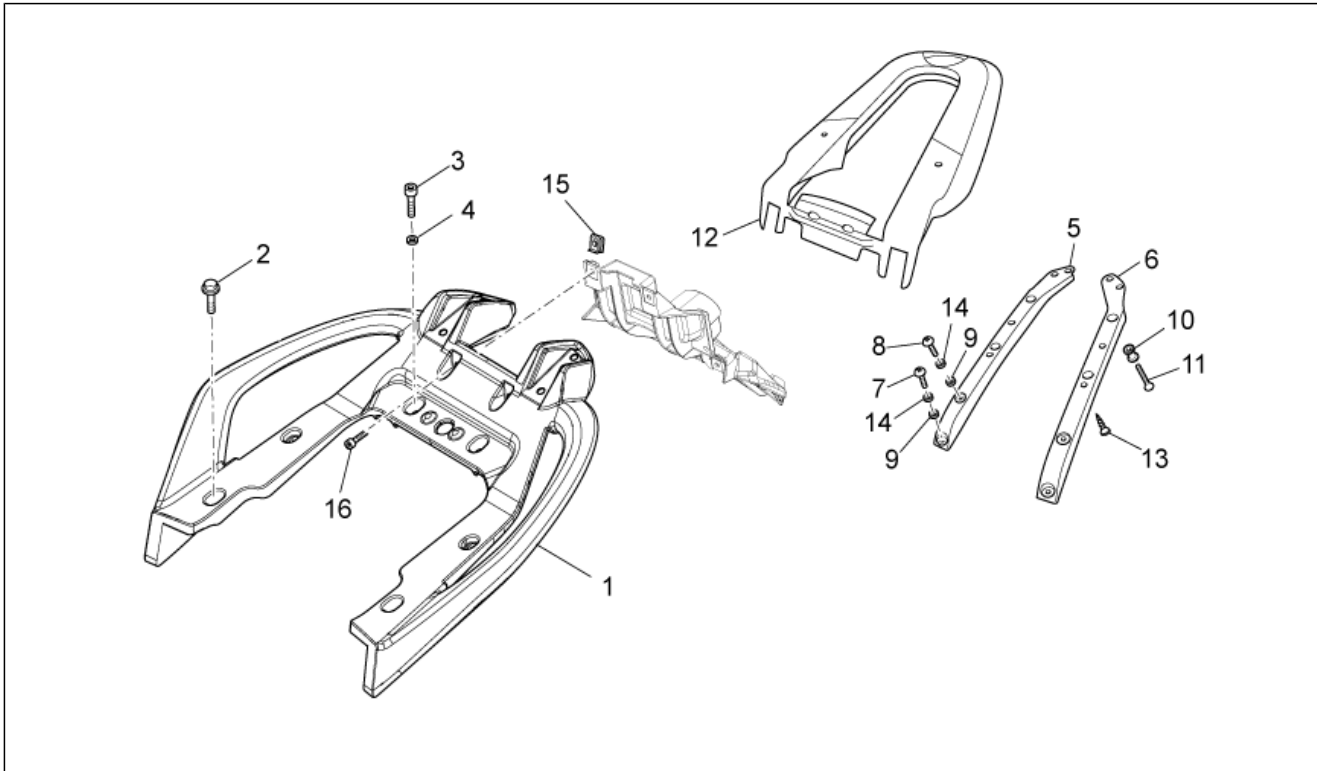
Pos.	Code	Description	Qty	Variants
1	978446	Splash guard	1	
2	AP8102375	Clip m5	12	
3	AP8152339	Screw w/ flange M5x9	10	
4	883024	RH side panel	1	
5	883023	LH side panel	1	
6	886206	RH support	1	Year:2010[A]
6	97863800Y10	RH support	1	Year:2009[9]
7	886207	LH support	1	Year:2010[A]
7	97863900Y10	LH support	1	Year:2009[9]
8	883617	Battery holder	1	
9	883618	Battery fixing plate	1	Year:2009[9]
9	886205	Battery fixing plate	1	Year:2010[A]
10	AP8150377	screw	2	Year:2009[9]
10	AP8152329	Phillips screw, SWP M5x20	2	Year:2010[A]
11	GU06704700	Joint	1	
12	AP8220263	Breather pipe 4x8	1	
13	AP8152280	Screw w/ flange M6x25	4	
14	GU28576591	Clip M6	4	
15	AP8120708	Cable-guide	1	
16	GU98710215	Screw	2	
17	883177	Bushing 6,2x10x10,7	4	

<b>Group</b>	FRAME
<b>Code</b>	33.21
<b>Description</b>	Rear body II
<b>Service</b>	1



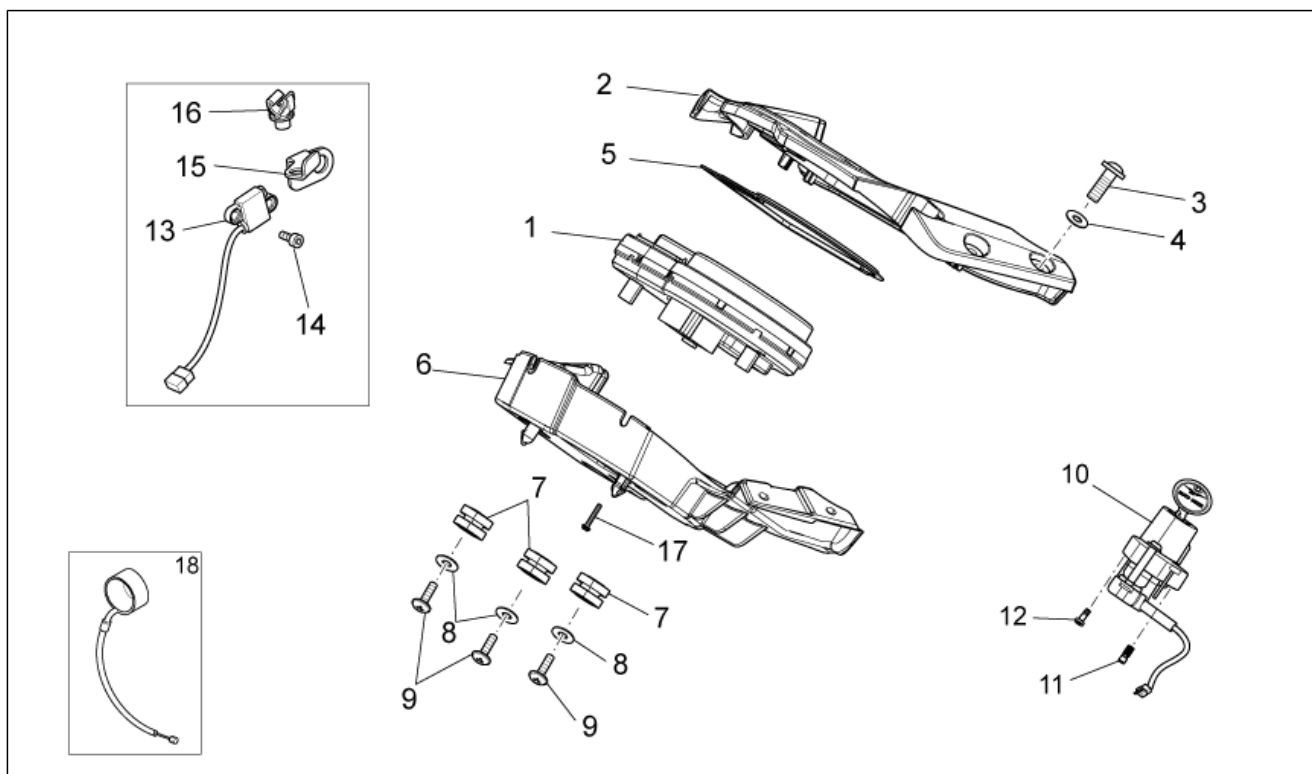
Pos.	Code	Description	Qty	Variants
1	978425	Number plate holder	1	
2	AP8102375	Clip m5	2	
3	AP8152302	Screw w/ flange M5x12	2	
4	AP8134448	Reflector support	1	
5	AP8224164	Rear reflector, red	1	
6	AP8152268	Hex socket screw M5x16	6	
7	AP8152306	Self-locking nut m5	6	
8	883214	Rear reflector support	1	Country:Canadian[CA], United States of America[USA]
9	AP8224164	Rear reflector, red	2	Country:Canadian[CA], United States of America[USA]
10	AP8149034	Number plate support	1	Country:Canadian[CA], United States of America[USA]
11	GU98223530	screw	2	Country:Canadian[CA], United States of America[USA]
12	GU92650035	Flanged nut	2	Country:Canadian[CA], United States of America[USA]
13	GU80438610	Number plate holder	1	Country:Australia[AUS]
14	AP8152339	Screw w/ flange M5x9	4	Country:Australia[AUS]

<b>Group</b>	FRAME
<b>Code</b>	33.22
<b>Description</b>	Rear handle - Luggage rack
<b>Service</b>	1



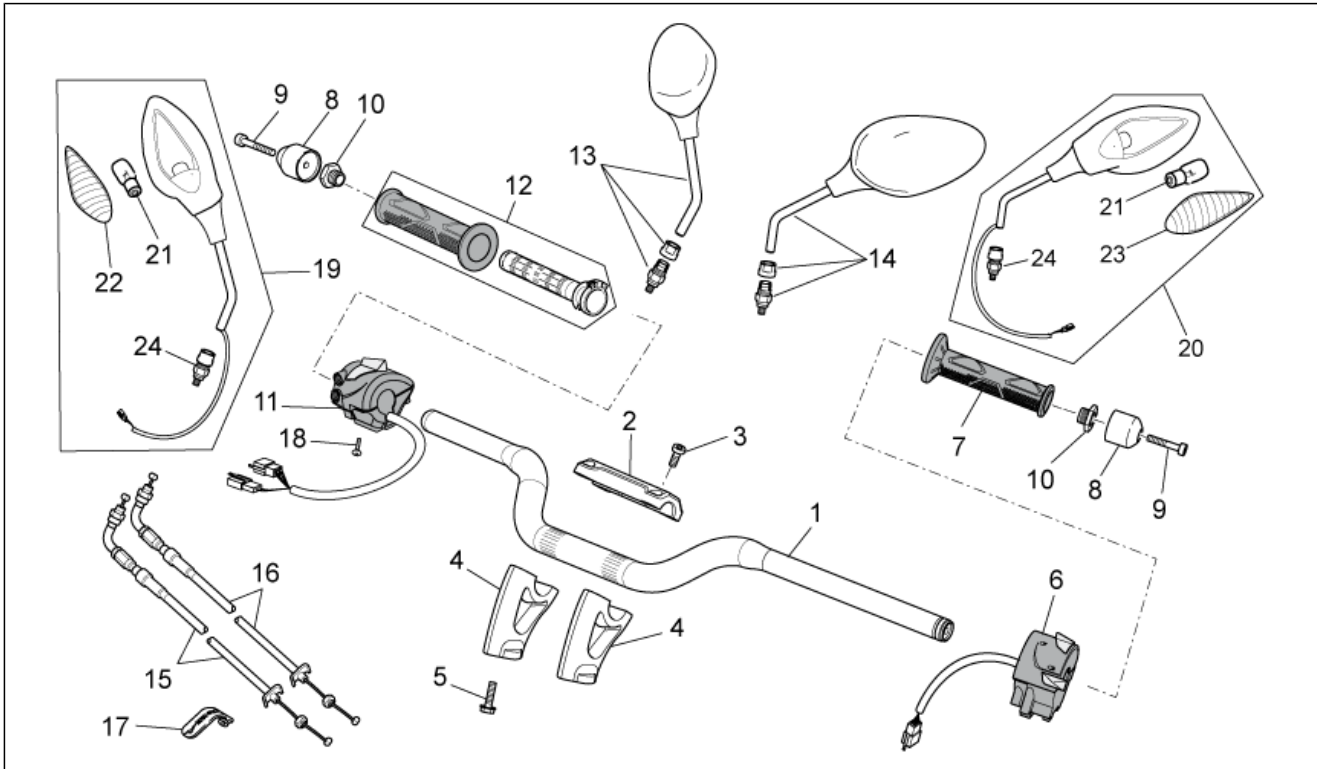
Pos.	Code	Description	Qty	Variants
1	97843900Y10	Passenger handle	1	
2	AP8152280	Screw w/ flange M6x25	4	
3	GU98682416	Hex socket screw M8x16	2	
4	GU14615901	Washer 8,4X13X0,8	2	
5	GU05466630	RH lugg.rack support	1	
6	GU05466631	LH lugg.rack support	1	
7	GU98230820	Hex socket screw M8x20	2	
8	GU98350430	Hex socket screw M8x30	2	
9	AP8152154	Washer 8,4x13*	4	
10	AP8121890	Rear stand bush	2	
11	GU98250635	Screw M6x35	2	
12	883047	Luggage rack cover	1	
13	AP8150509	Self-tap screw 5x14	4	
14	GU03013800	Washer 6,4x12	4	
15	AP8102375	Clip m5	2	
16	GU98710215	Screw	2	

<b>Group</b>	FRAME
<b>Code</b>	33.23
<b>Description</b>	Dashboard
<b>Service</b>	1



Pos.	Code	Description	Qty	Variants
1	883341	Dashboard complete	1	
2	97842400Y11	Instrument frame	1	
3	976614	Screw M5X15	4	
4	GU01577830	Nylon washer	4	
5	978449	Gasket	1	
6	978633	Socket support	1	
7	AP8220150	Rubber spacer	3	
8	AP8150255	Washer 5x20x1,5	3	
9	AP8150509	Self-tap screw 5x14	3	
10	GU05782530	Main switch - steering lock	1	
11	AP8152238	Shear rivet M8x28	1	
12	GU98682430	Hex socket screw M8x30	1	
13	GU06765400	Speedometer sensor cpl.	1	<b>Technical Specifications:Version without ABS[noabs]</b>
14	AP8152043	Hex socket screw M4x10	2	
15	GU06765500	Fairlead	1	
16	AP8121882	Cable-guide	1	
17	AP8150413	Self-tap screw 3,9x14	2	
18	981087	Immobilizer antenna	1	

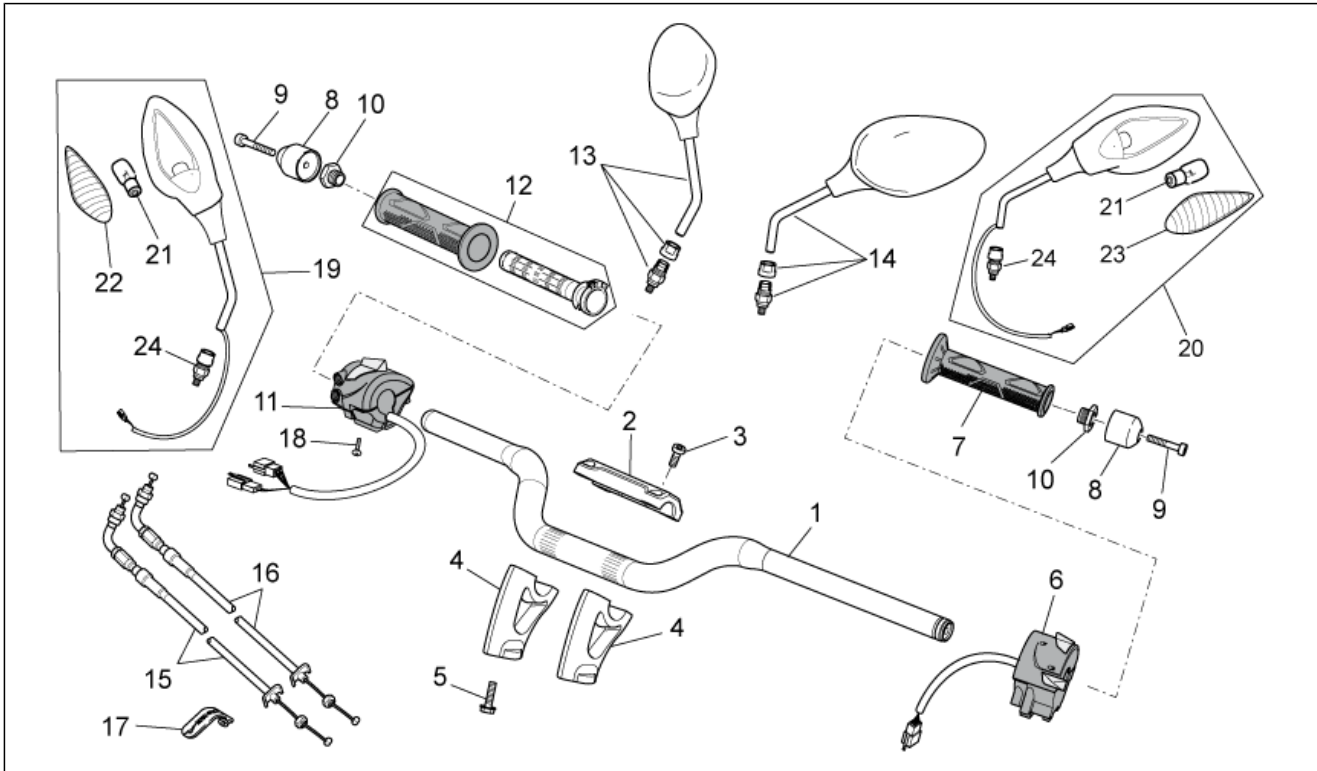
<b>Group</b>	FRAME
<b>Code</b>	33.24
<b>Description</b>	Handlebar - Controls
<b>Service</b>	1



Pos.	Code	Description	Qty	Variants
1	978040	Handlebar	1	
2	978821	Upper U-bolt	1	
3	GU98700430	Screw M8x30	1	
4	978042	Lower U-bolt	2	
5	AP8152325	Screw w/ flange	2	
6	859810	LH lights selector	1	Year:2009[9]
6	896108	LH lights selector	1	Year:2010[A]
7	AP8118579	LH hand grip	1	
8	AP8104509	Anti.v weight, black	2	Year:2009[9]
8	AP8104572	Anti.v weight, black	2	Year:2010[A]
9	GU98680340	Hex socket screw M6x40	2	
10	886234	Anti vib.weight trailing	2	Year:2010[A]
10	AP8121520	Anti vib.weight trailing	2	Year:2009[9]
11	883544	Engine stop-start device	1	Year:2009[9] Technical Specifications:ABS version[abs]
11	886159	Engine stop-start device	1	Year:2010[A] Technical Specifications:ABS version[abs]
11	978558	Engine stop-start device	1	Technical Specifications:Version without ABS[noabs]
12	GU01603480	RH hand grip	1	
13	AP8104921	RH rearview mirror	1	
14	AP8104922	LH rearview mirror	1	
15	883001	Gas trasmission delivery	1	
16	883002	Gas trasmission return	1	
17	GU01609630	Hose clamp L46 mm	4	
18	978059	Self-tap screw	1	
19	883460	RH rearview mirror	1	Country:Australia[AUS], Canadian[CA], United States of America[USA]
20	883461	LH rearview mirror	1	Country:Australia[AUS], Canadian[CA], United States of America[USA]

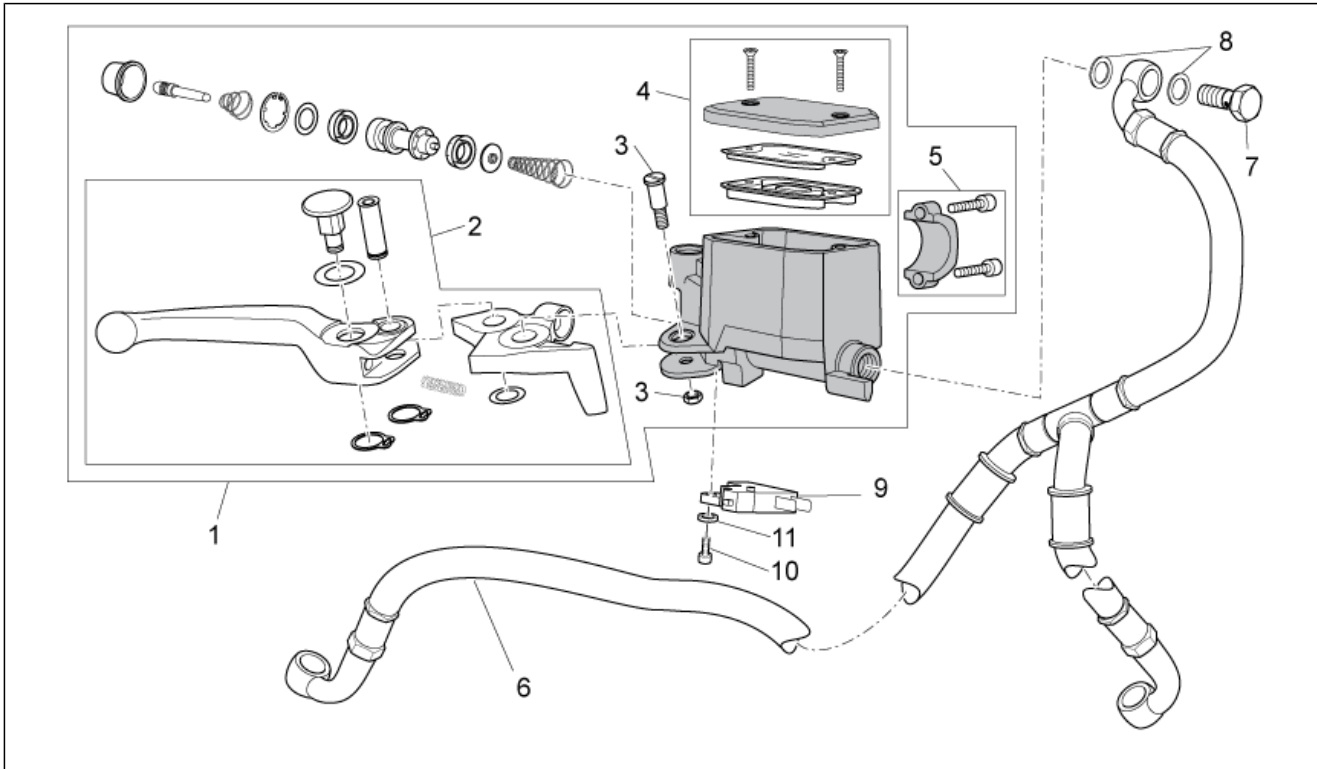


<b>Group</b>	FRAME
<b>Code</b>	33.24
<b>Description</b>	Handlebar - Controls
<b>Service</b>	1



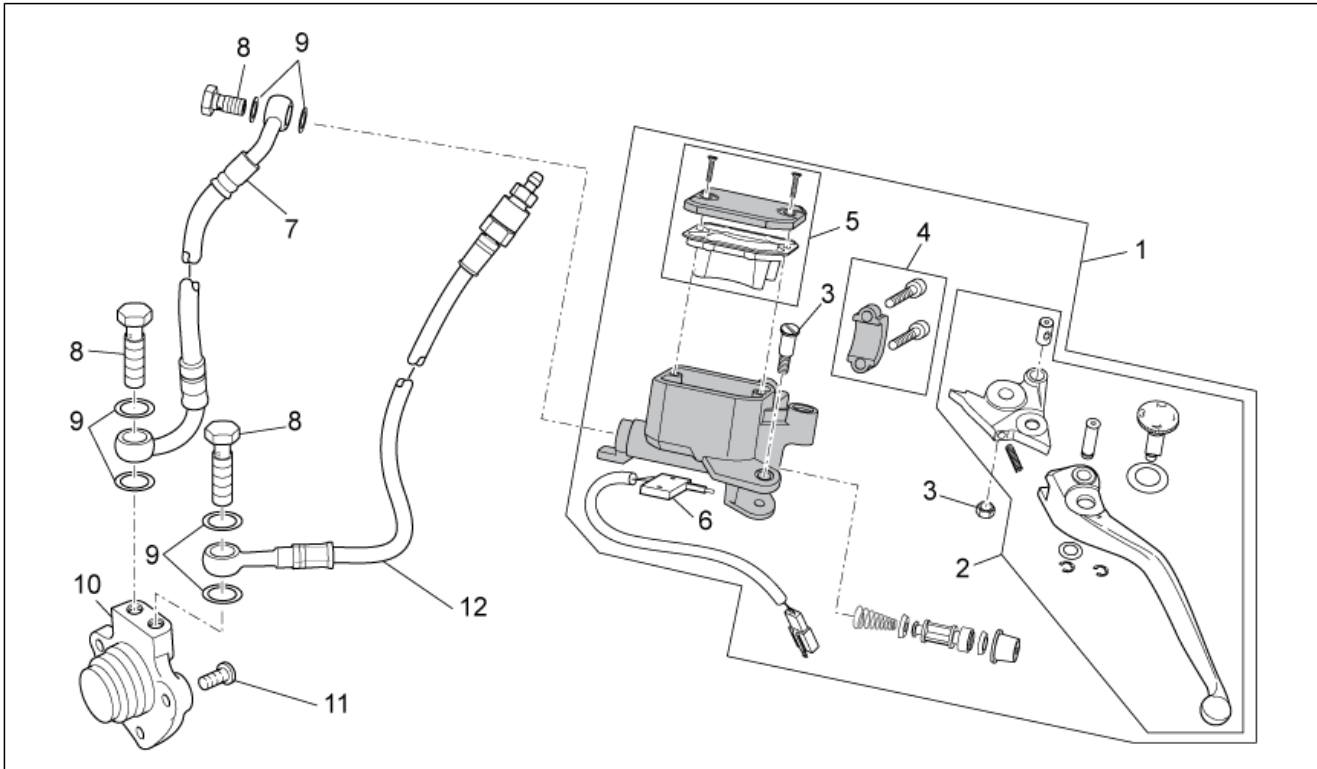
Pos.	Code	Description	Qty	Variants
21	981101	Lamp 12V-15W	2	Country:Australia[AUS], Canadian[CA], United States of America[USA]
22	981099	RH.turn indicator lens	1	Country:Australia[AUS], Canadian[CA], United States of America[USA]
23	981100	LH turn indicator lens	1	Country:Australia[AUS], Canadian[CA], United States of America[USA]
24	884312	Mirror mounting clump	2	Country:Canadian[CA], United States of America[USA]

<b>Group</b>	FRAME
<b>Code</b>	33.25
<b>Description</b>	Front master cilinder
<b>Service</b>	1



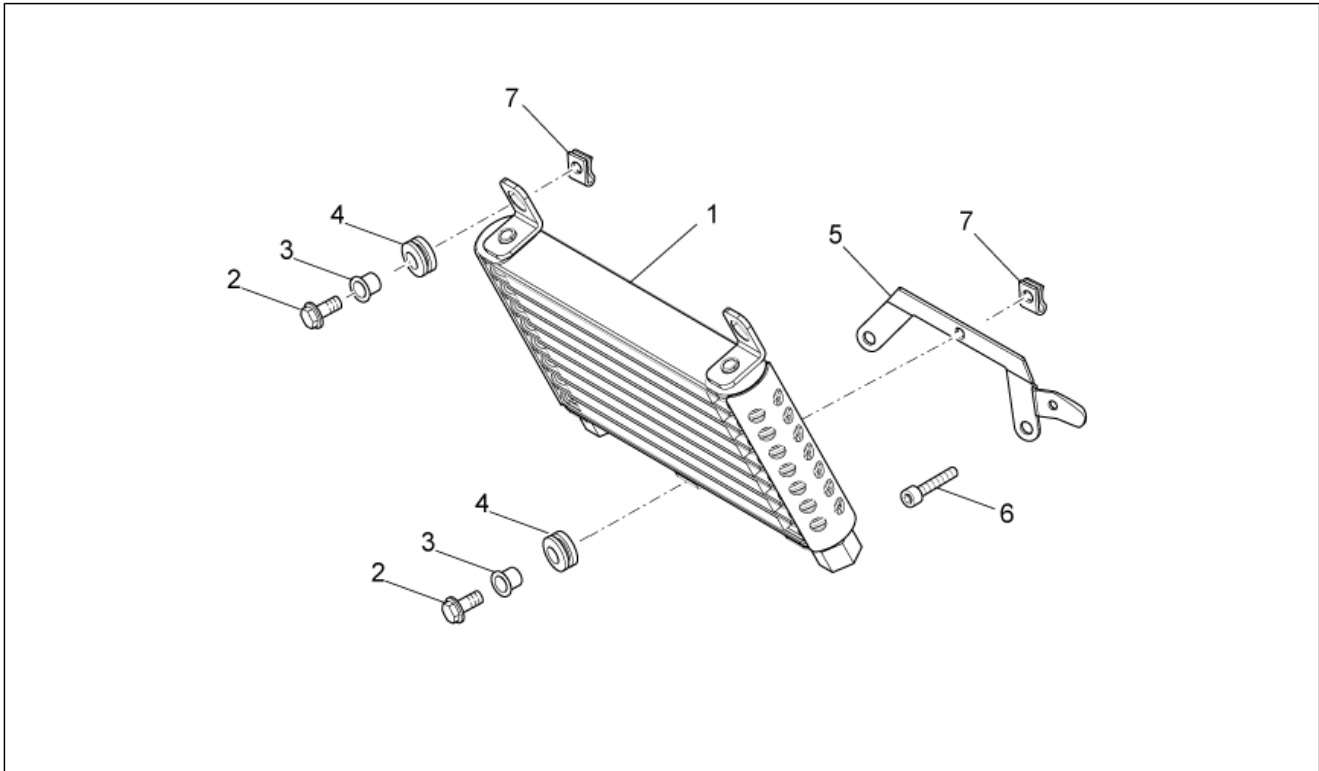
Pos.	Code	Description	Qty	Variants
1	978606	Front master cilinder	1	
2	981050	Front brake lever	1	
3	AP8113995	Lever pin	1	
4	GU05661130	Tank cap	1	
5	AP8113993	U-bolt	1	
6	978784	Front brake hose	1	<b>Technical Specifications:</b> Version without ABS[noabs]
7	AP8133962	Oil pipe screw *	1	
8	GU25656100	Gasket	2	
9	GU03749845	Stop switch	1	
10	GU98370412	Hex socket screw M4x12	1	
11	GU95021104	Washer 4,3x8x1,5	1	

<b>Group</b>	FRAME
<b>Code</b>	33.26
<b>Description</b>	Clutch control complete
<b>Service</b>	1



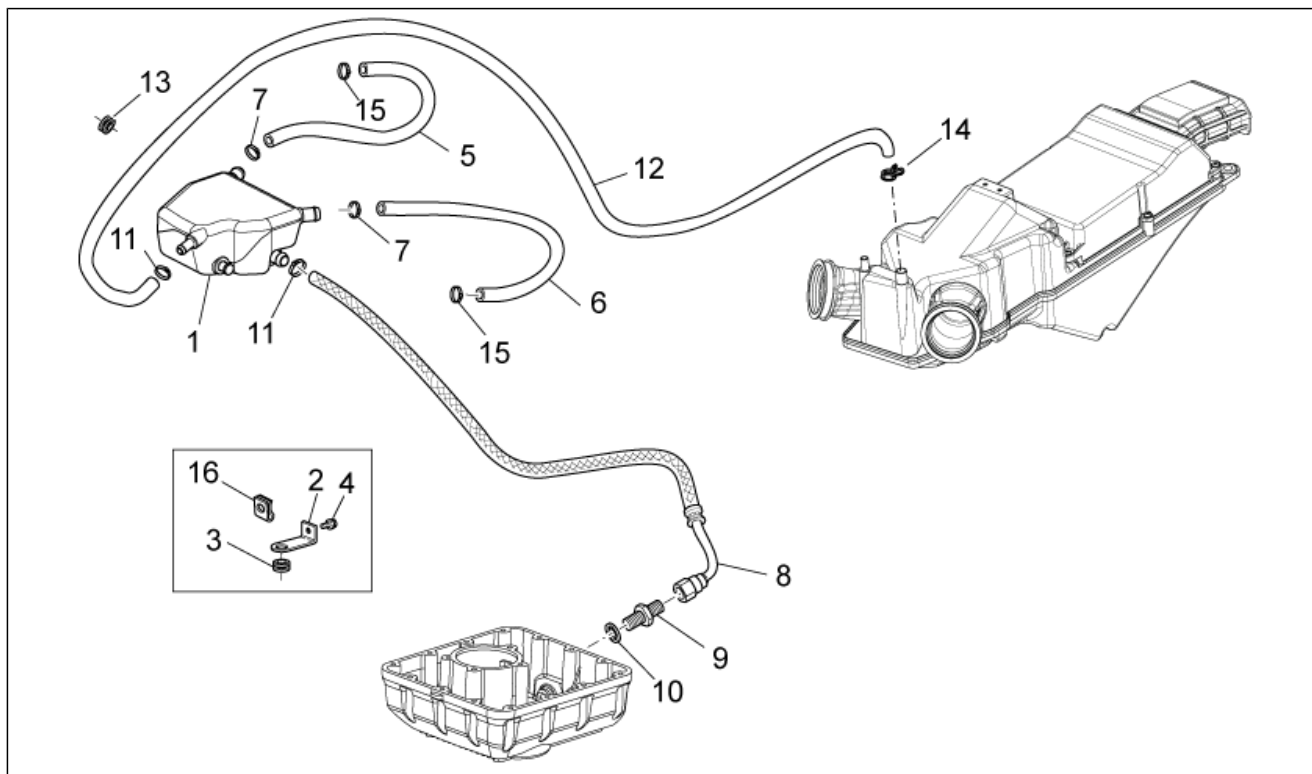
Pos.	Code	Description	Qty	Variants
1	978607	Clutch pump	1	
2	981046	Clutch lever	1	
3	GU03604845	Lever pin	1	
4	AP8113993	U-bolt	1	
5	AP8113997	Tank cap	1	
6	AP8113998	Microswitch	1	
7	978911	Clutch pipe	1	
8	AP8113003	Oil pipe screw *	3	Year:2010[A]
8	AP8133594	Oil pipe screw	3	Year:2009[9]
9	AP8113004	Washer 10x14x1,6*	6	
10	978739	Clutch command cylinder	1	
11	598839	Screw w/ flange	3	
12	GU05606630	Float chambe clutch pipe	1	

<b>Group</b>	FRAME
<b>Code</b>	33.27
<b>Description</b>	Oil radiator
<b>Service</b>	1



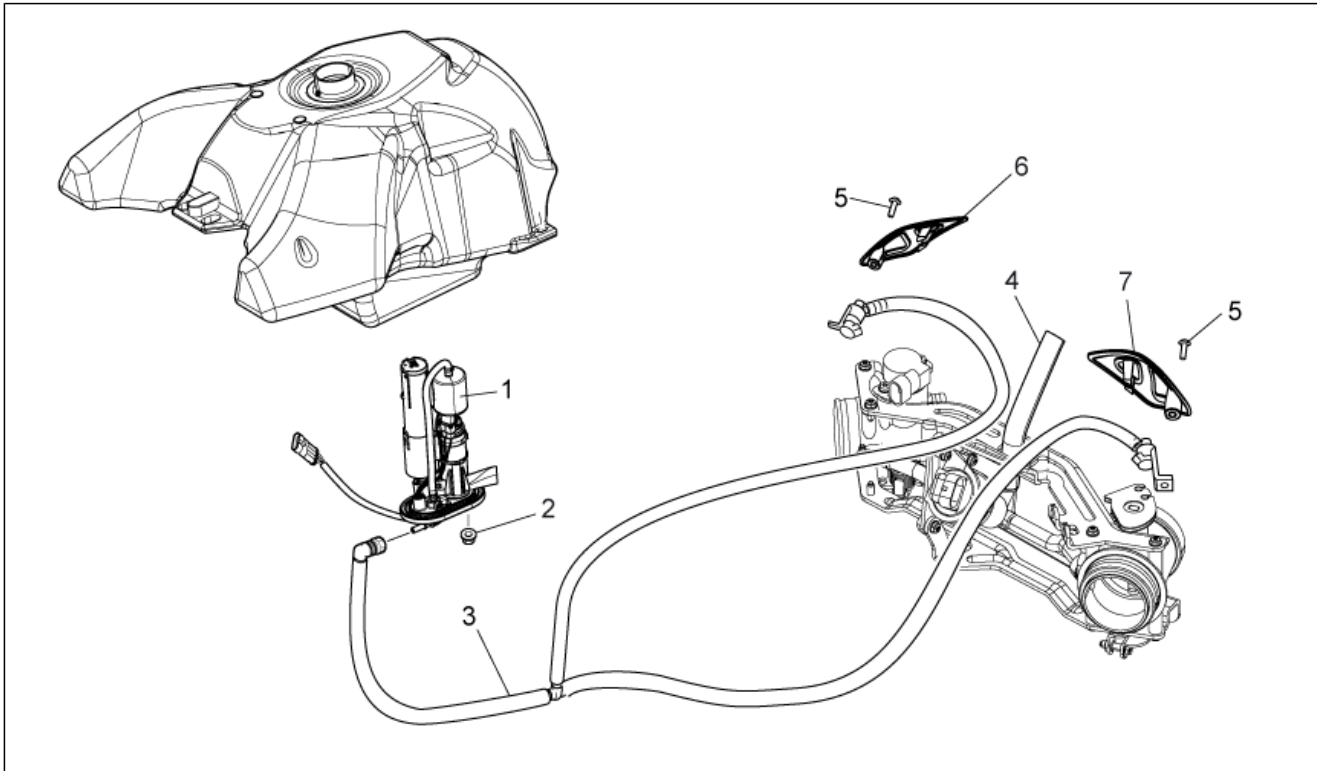
Pos.	Code	Description	Qty	Variants
1	978579	Oil cooler cpl.	1	
2	AP8152280	Screw w/ flange M6x25	3	
3	AP8221023	T bush	3	
4	AP8120030	Rubber spacer	3	
5	978846	Water cooler support	1	
6	GU98680340	Hex socket screw M6x40	2	
7	GU28576591	Clip M6	1	

<b>Group</b>	FRAME
<b>Code</b>	33.28
<b>Description</b>	Blow-by system
<b>Service</b>	1



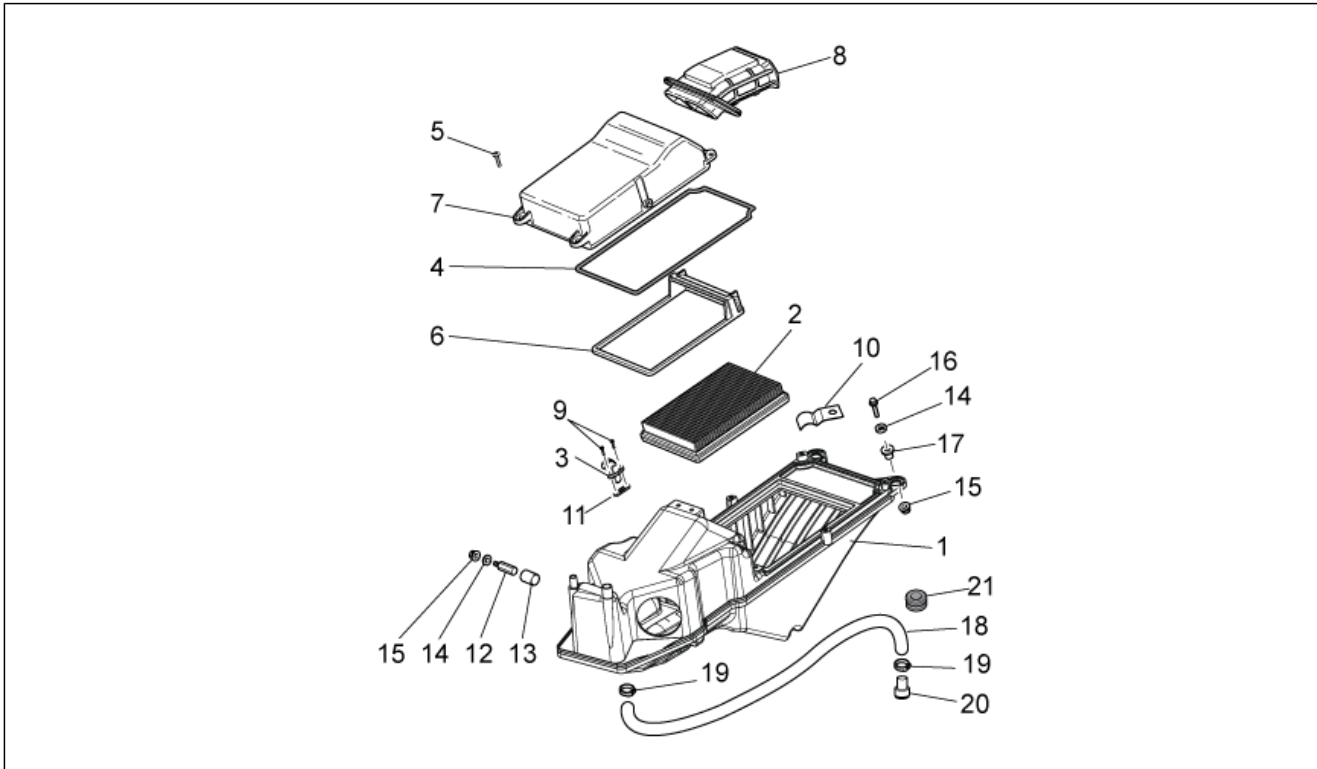
Pos.	Code	Description	Qty	Variants
1	886098	Housing	1	Year:2010[A]
1	978047	Housing	1	Year:2009[9]
2	GU06412300	Plate	1	
3	AP8120030	Rubber spacer	1	
4	598839	Screw w/ flange	1	
5	883034	RH pipe	1	
6	883035	LH pipe	1	
7	GU93306017	Hose clamp	4	
8	883036	Pipe	1	
9	GU01161331	Reduction	1	
10	GU01154230	Gasket	1	
11	AP8102765	White hose clip D.13,5x6	2	
12	GU00823955080	Breather pipe	1	
13	AP8220162	Rubber spacer	1	
14	AP8102520	Hose clamp	1	
15	AP8101586	Hose clip D.15,5x6,6	2	
16	GU28576591	Clip M6	1	

<b>Group</b>	FRAME
<b>Code</b>	33.29
<b>Description</b>	Fuel supply
<b>Service</b>	1



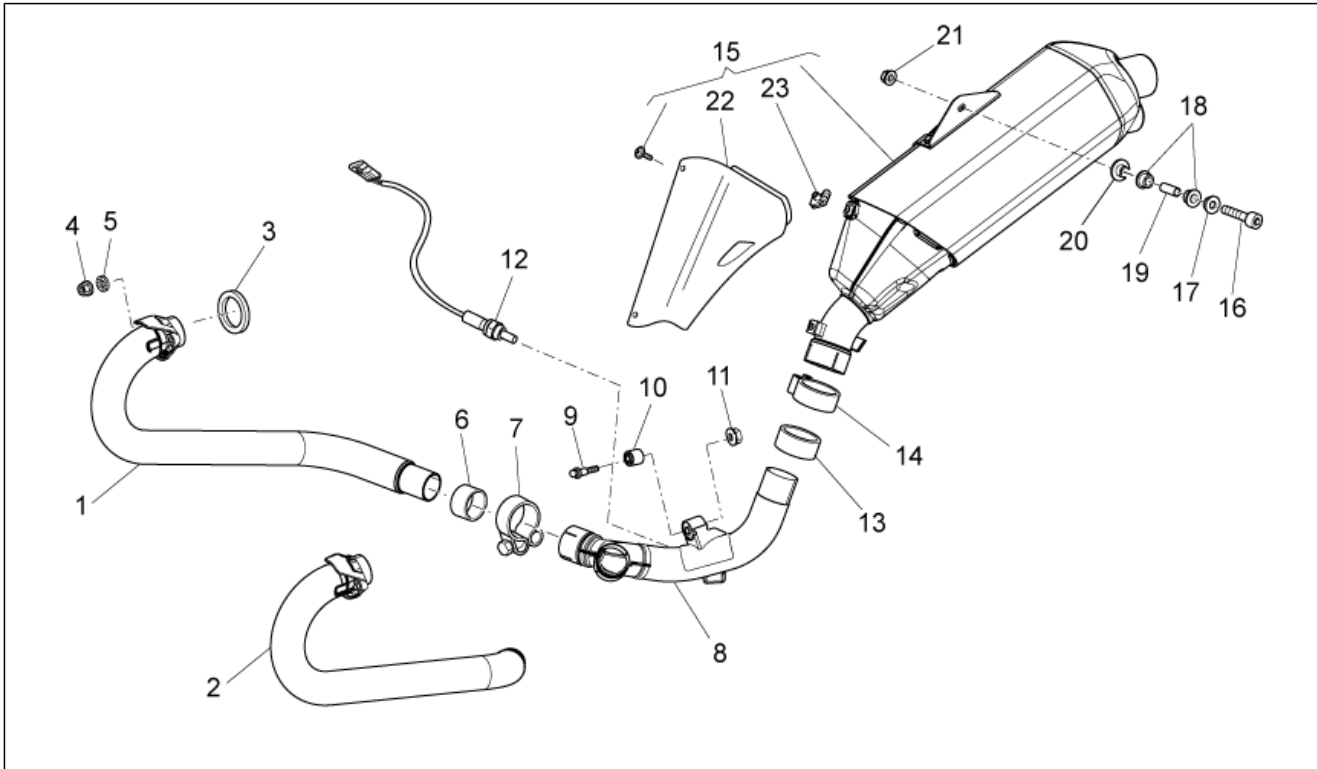
Pos.	Code	Description	Qty	Variants
1	978138	Fuel pump cpl.	1	
2	AP8152306	Self-locking nut m5	6	
3	883043	Fuel pipe, cpl.	1	
4	883633	Breather pipe	1	
5	GU98680222	Hex socket screw	2	
6	883092	RH protection	1	
7	883093	LH protection	1	

<b>Group</b>	FRAME
<b>Code</b>	33.30
<b>Description</b>	Air box
<b>Service</b>	1



Pos.	Code	Description	Qty	Variants
1	877062	Air box	1	
2	AP8104329	Air filter	1	
3	GU30729330	Air temp. Sensor	1	
4	890513	Gasket D4	1	
5	AP8152329	Phillips screw, SWP M5x20	6	
6	GU06114200	Protection	1	
7	GU06113700	Cover	1	
8	AP8144164	Intake hose	1	
9	AP8150421	Self-tap screw 2,9x12	2	
10	GU93301313	U-bolt	1	
11	GU30027931	Gasket	1	
12	883097	Filter housing support spindle	2	
13	AP8220526	Rubber spacer	2	
14	GU95008206	Washer 6,15x11x0,8	2	
15	AP8152299	Self-locking nut M6	2	
16	AP8152280	Screw w/ flange M6x25	2	
17	AP8221023	T bush	2	
18	AP8144038	Fuel pipe 6x10	2	
19	AP8101595	Hose clamp D10,1	4	
20	AP8120876	Plug	2	
21	AP8120030	Rubber spacer	2	

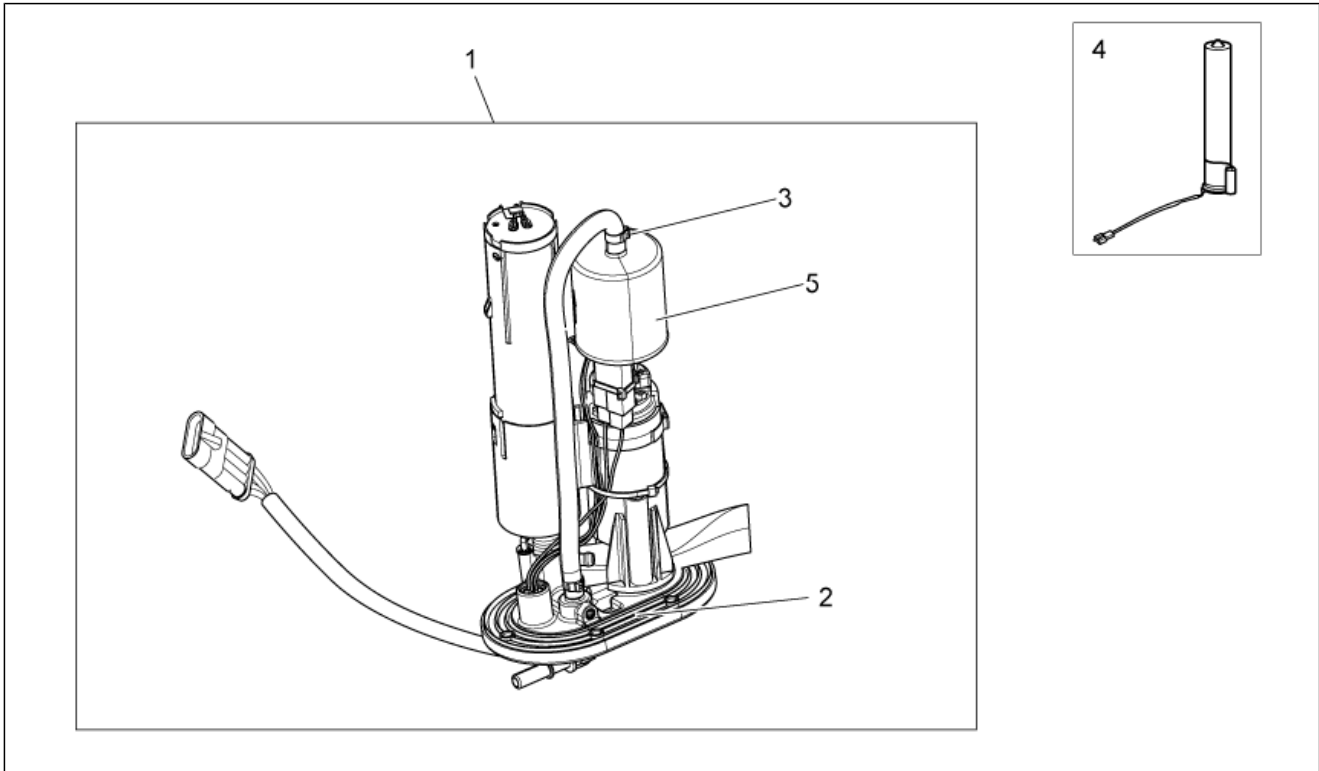
<b>Group</b>	FRAME
<b>Code</b>	33.31
<b>Description</b>	Exhaust unit
<b>Service</b>	1



Pos.	Code	Description	Qty	Variants
1	976705	RH exhaust pipe	1	Year:2010[A]
1	978621	RH exhaust pipe	1	Year:2009[9]
2	976704	LH exhaust pipe	1	Year:2010[A]
2	978622	LH exhaust pipe	1	Year:2009[9]
3	976376	Gasket	2	
4	GU92660021	Flanged nut M8	4	
5	GU14615901	Washer 8,4X13X0,8	4	
6	GU06123500	Gasket	2	
7	883094	Hose clamp	2	
8	978635	Central exhaust pipe	1	
9	AP8152410	Screw w/ flange M10x55	1	
10	AP8220346	Silent-block	1	
11	AP8152301	Self-locking nut	1	
12	GU32727010	Lamda sensor	1	
13	GU05128230	Gasket	1	
14	976521	Hose clamp	1	
15	886307	Silencer	1	Year:2010[A]
15	978443	Silencer	1	Year:2009[9]
16	GU98680460	Hex socket screw M8x60	1	
17	AP8134378	Silencer fixing bush	1	
18	AP8144071	Rubber exhaust	2	
19	AP8121072	Spacer	1	
20	977582	Spacer	1	
21	GU92650138	Nut M8x1,25	1	
22	978444	Guard	1	
23	GU28576591	Clip M6	2	

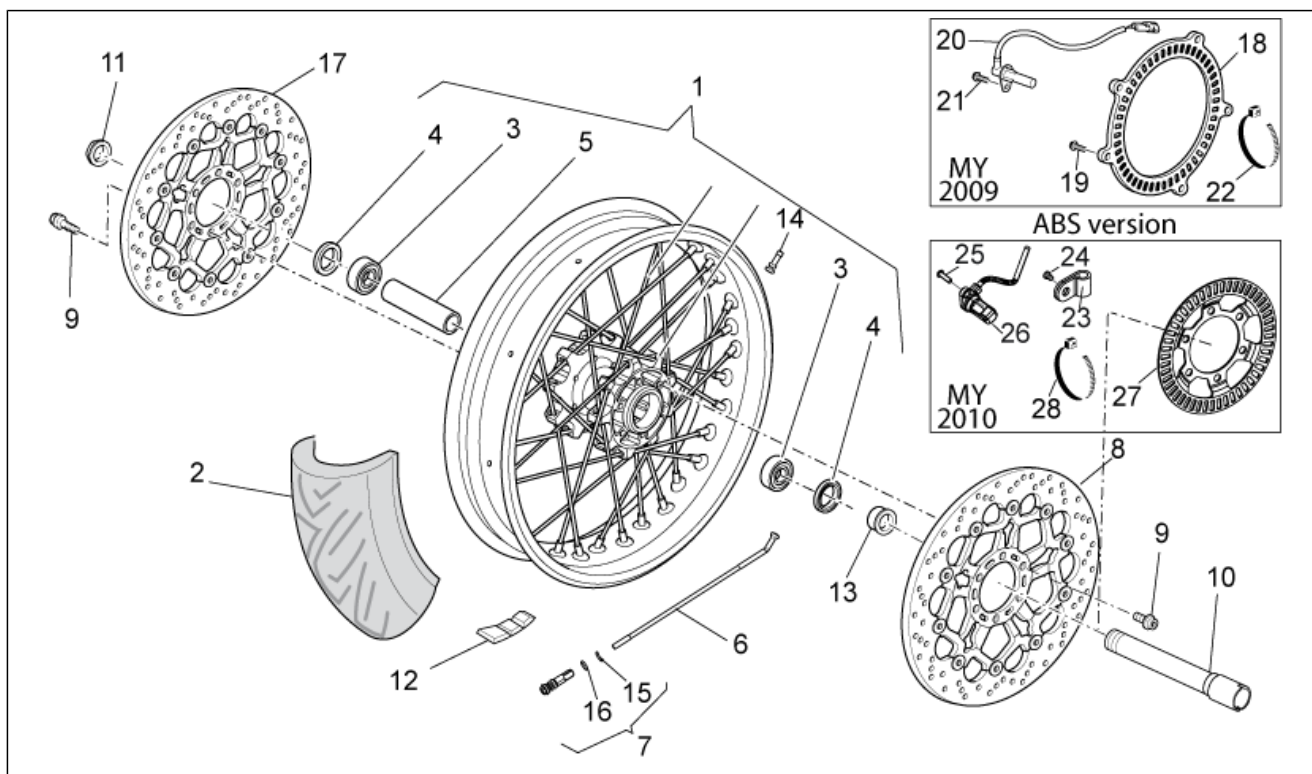


<b>Group</b>	FRAME
<b>Code</b>	33.32
<b>Description</b>	Internal fuel pump
<b>Service</b>	1



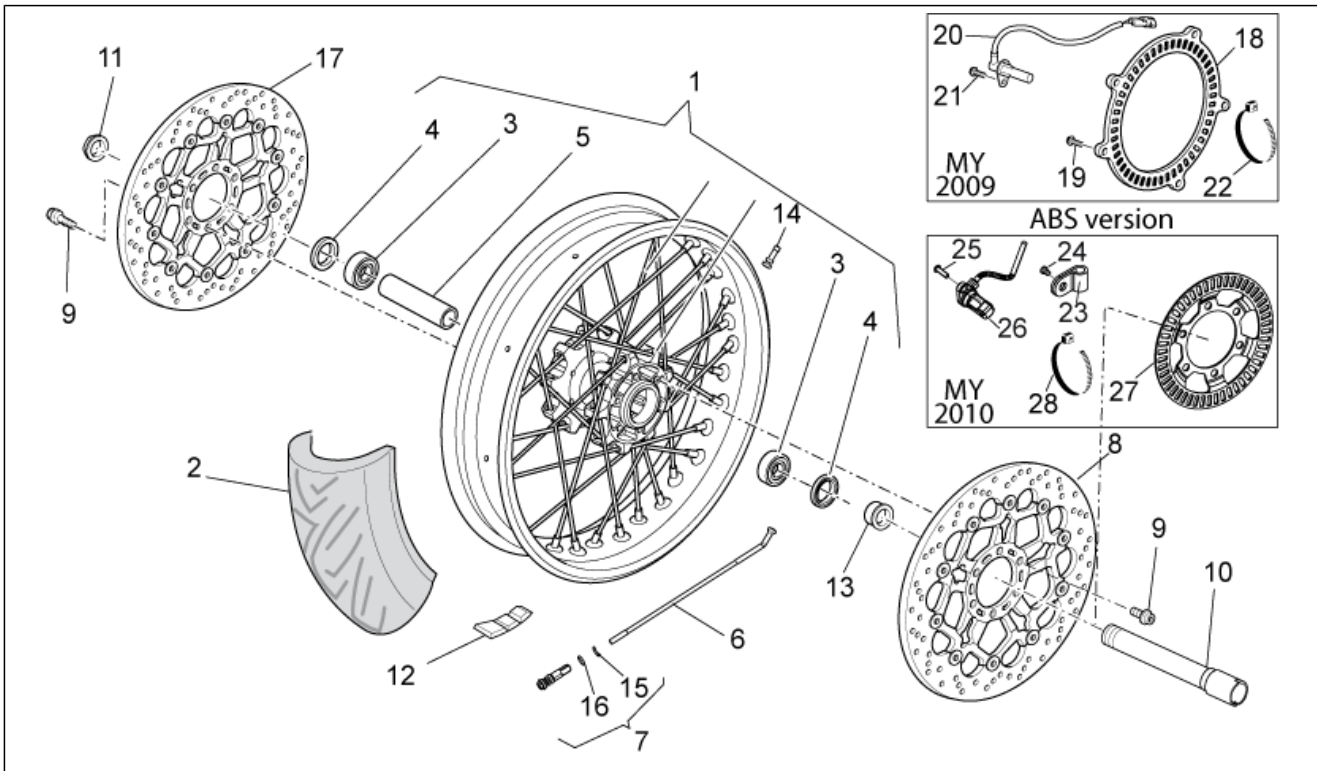
Pos.	Code	Description	Qty	Variants
1	978138	Fuel pump cpl.	1	
2	GU05107430	Gasket	1	
3	GU01108490	Hose clamp 11,3	4	
4	AP8127817	Fuel level sensor	1	
5	GU01106090	Fuel filter	1	

<b>Group</b>	FRAME
<b>Code</b>	33.33
<b>Description</b>	Front wheel
<b>Service</b>	1



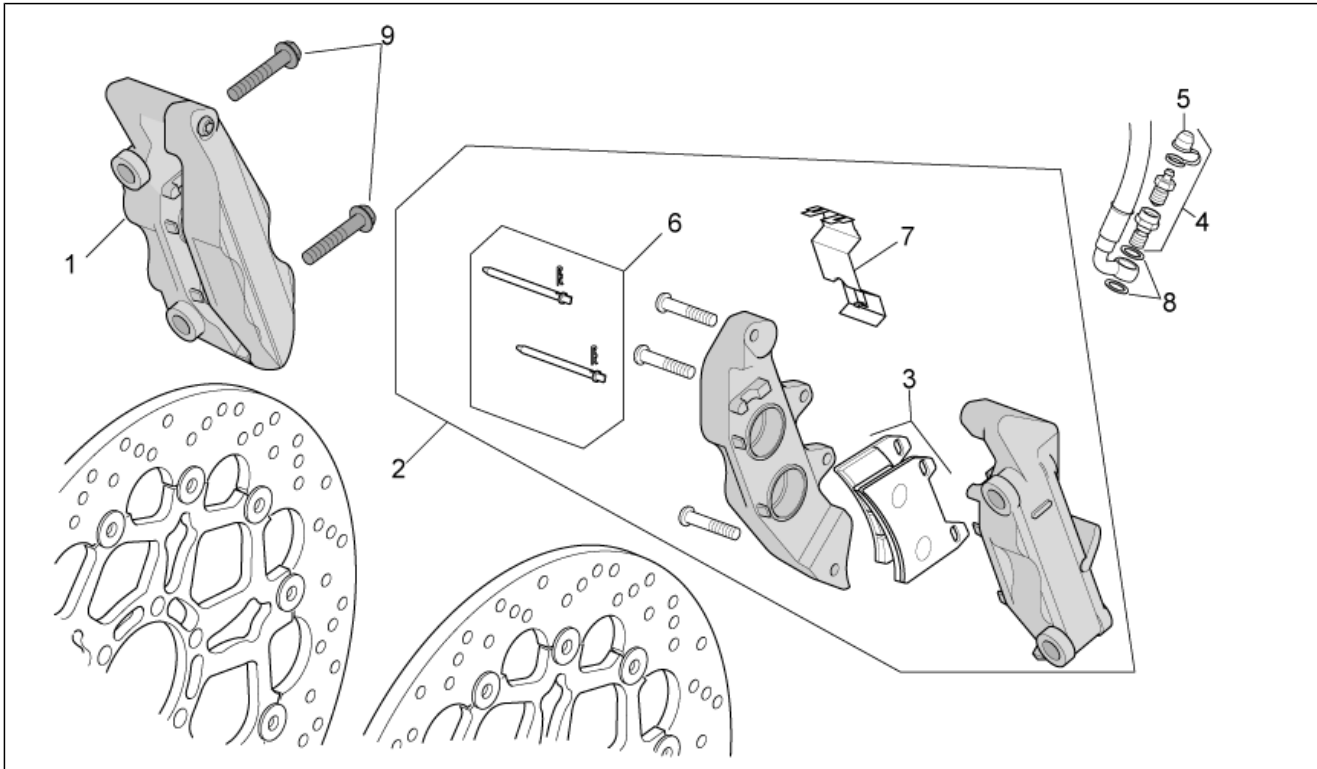
Pos.	Code	Description	Qty	Variants
1	883009	Front wheel 2,50x19"	1	
1	883385	RH front brake caliper	1	<b>Technical Specifications:</b> ABS version[abs]
2	0000000	Tyre	1	
3	AP8125777	Ball bearing 25x47x12	2	
4	AP8125773	Gasket ring 30x47x7	2	
5	978516	Spacer	1	
6	978864	Spoke	36	
7	883287	Nipples L=36	36	
7	978810	Nipples L=34	36	
8	896012	Front brake disc SX	1	<b>Year:</b> 2010[A]
8	978764	Front brake disc	1	<b>Year:</b> 2009[9]
9	AP8152286	Screw w/ flange M8x20	12	
10	978030	Front wheel spindle	1	
11	GU01612190	Nut	1	
12	GU14616150	Counterweight	1	
13	GU06616300	Spacer	1	
14	978814	Tubeless tyre valve	1	<b>Year:</b> 2009[9]
14	AP8101744	Tubeless tyre valve	1	<b>Year:</b> 2010[A]
15	978811	Snap ring	36	
16	GU90706061	O-ring OR2025	36	
17	883372	Front brake disc	1	<b>Year:</b> 2009[9]
17	896011	Front brake disc DX	1	<b>Year:</b> 2010[A]
18	AP8128189	Wheel speed sensor, left front	1	<b>Year:</b> 2010[A] <b>Technical Specifications:</b> ABS version[abs]
18	GU05681430	Wheel speed sensor, left front	1	<b>Year:</b> 2009[9] <b>Technical Specifications:</b> ABS version[abs]
19	GU98250510	Screw	5	<b>Technical Specifications:</b> ABS version[abs]
20	859792	Sensor ABS	1	<b>Year:</b> 2010[A] <b>Technical Specifications:</b> ABS version[abs]

<b>Group</b>	FRAME
<b>Code</b>	33.33
<b>Description</b>	Front wheel
<b>Service</b>	1



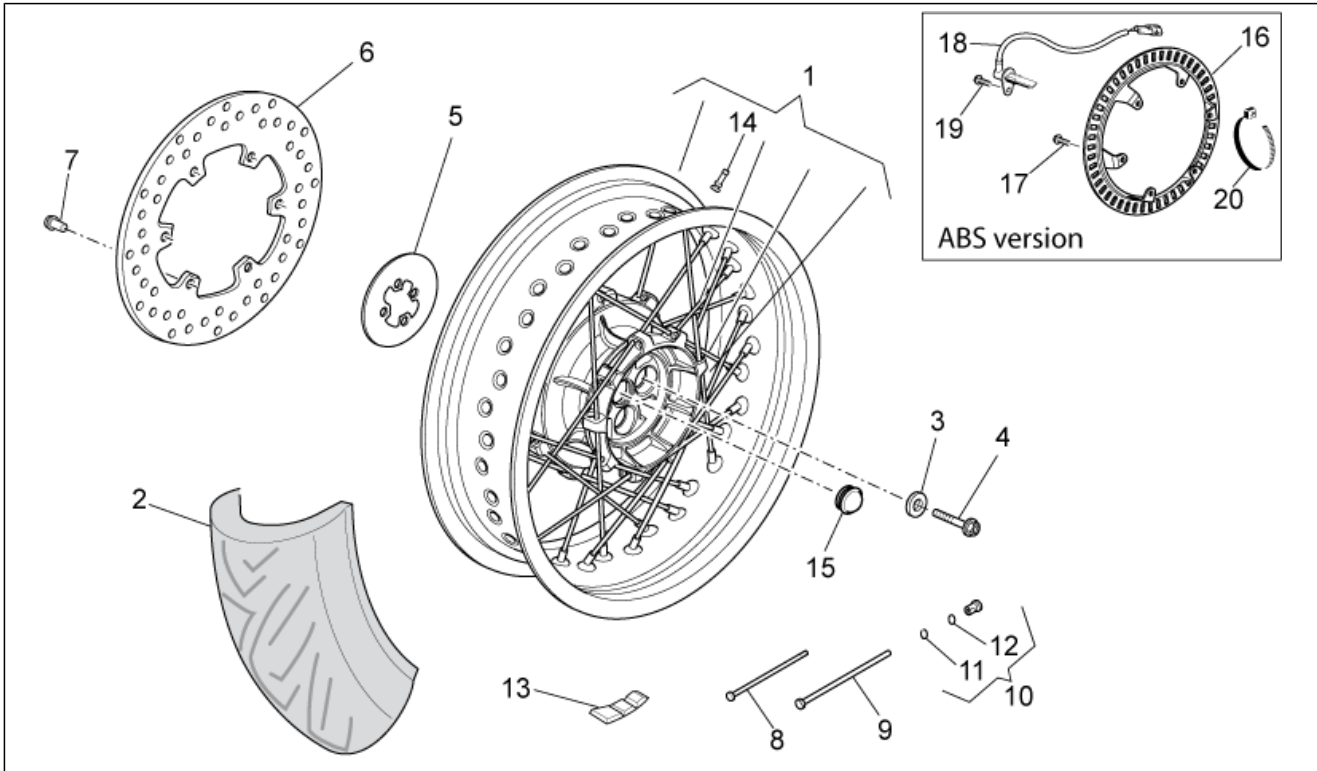
Pos.	Code	Description	Qty	Variants
20	AP8127469	Sensor abs	1	Year:2009[9] Technical Specifications:ABS version[abs]
21	598839	Screw w/ flange	1	Technical Specifications:ABS version[abs]
22	GU49609601	Hose clamp 2,4x92	1	Technical Specifications:ABS version[abs]
23	859777	Fairlead	1	Year:2010[A] Technical Specifications:ABS version[abs]
24	AP8201749	Screw M4x6	1	Year:2010[A] Technical Specifications:ABS version[abs]
25	AP8152273	Screw w/ flange M5x16	1	Year:2010[A] Technical Specifications:ABS version[abs]
26	859792	Sensor ABS	1	Year:2010[A] Technical Specifications:ABS version[abs]
27	AP8128189	Wheel speed sensor, left front	1	Year:2010[A] Technical Specifications:ABS version[abs]
28	894704	Fairlead	4	Year:2010[A] Technical Specifications:ABS version[abs]

<b>Group</b>	FRAME
<b>Code</b>	33.34
<b>Description</b>	Front brake caliper
<b>Service</b>	1



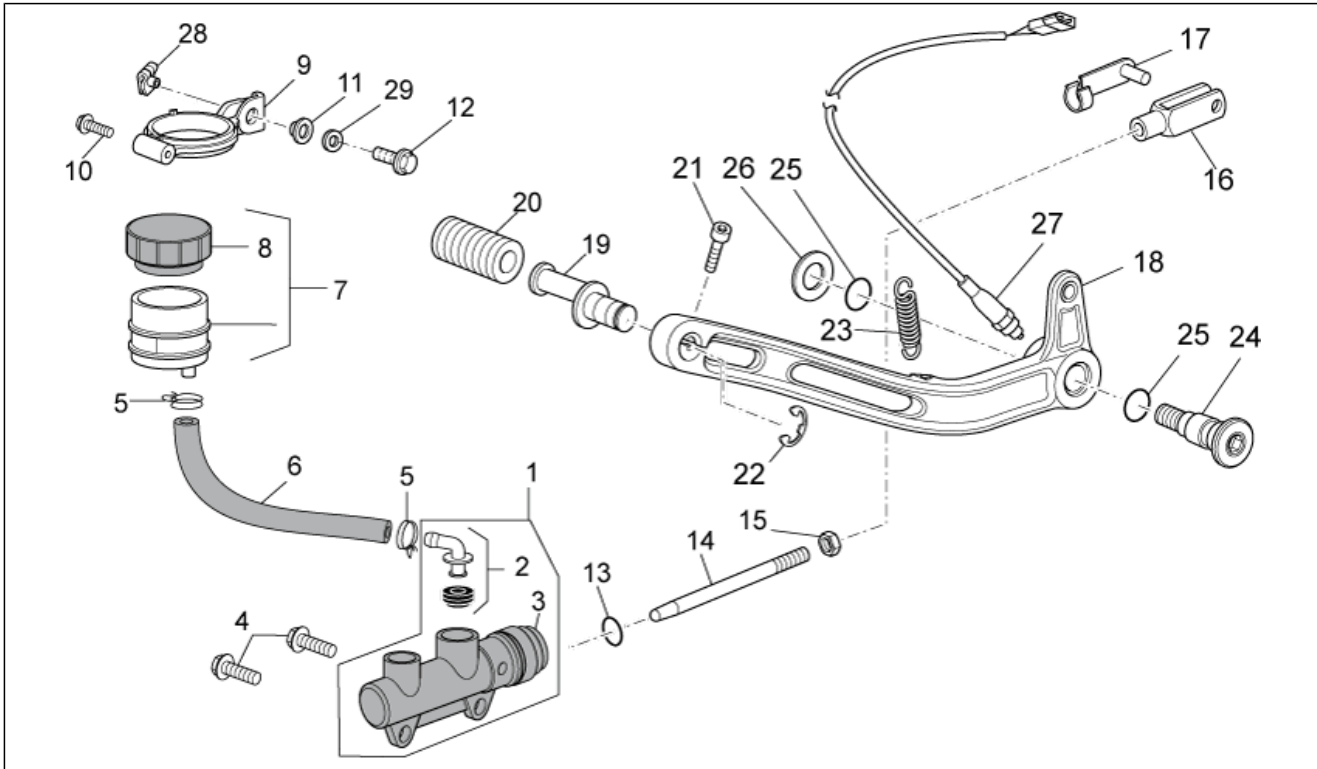
Pos.	Code	Description	Qty	Variants
1	978464	RH front brake caliper, black P432	1	<b>Technical Specifications:</b> Version without ABS[noabs]
2	883384	LH front brake caliper	1	<b>Technical Specifications:</b> ABS version[abs]
2	978465	LH front brake caliper, black P432	1	<b>Technical Specifications:</b> Version without ABS[noabs]
3	883673	Pads pair	2	<b>Technical Specifications:</b> ABS version[abs]
3	GU01654630	Pads pair	2	<b>Technical Specifications:</b> Version without ABS[noabs]
4	978466	Air bleed valve	2	<b>Year:</b> 2009[9]
4	AP8133945	Bleeder kit	2	<b>Year:</b> 2010[A]
5	AP8113070	Bleed valve cap	2	<b>Year:</b> 2009[9]
5	AP8113070	Bleed valve cap	2	<b>Year:</b> 2010[A]
6	GU01659130	Pins+Caliper springs	2	
7	GU01659131	Spring	2	
8	GU25656100	Gasket	4	
9	AP8152414	Screw w/ flange M10x55	4	

<b>Group</b>	FRAME
<b>Code</b>	33.35
<b>Description</b>	Rear wheel
<b>Service</b>	1



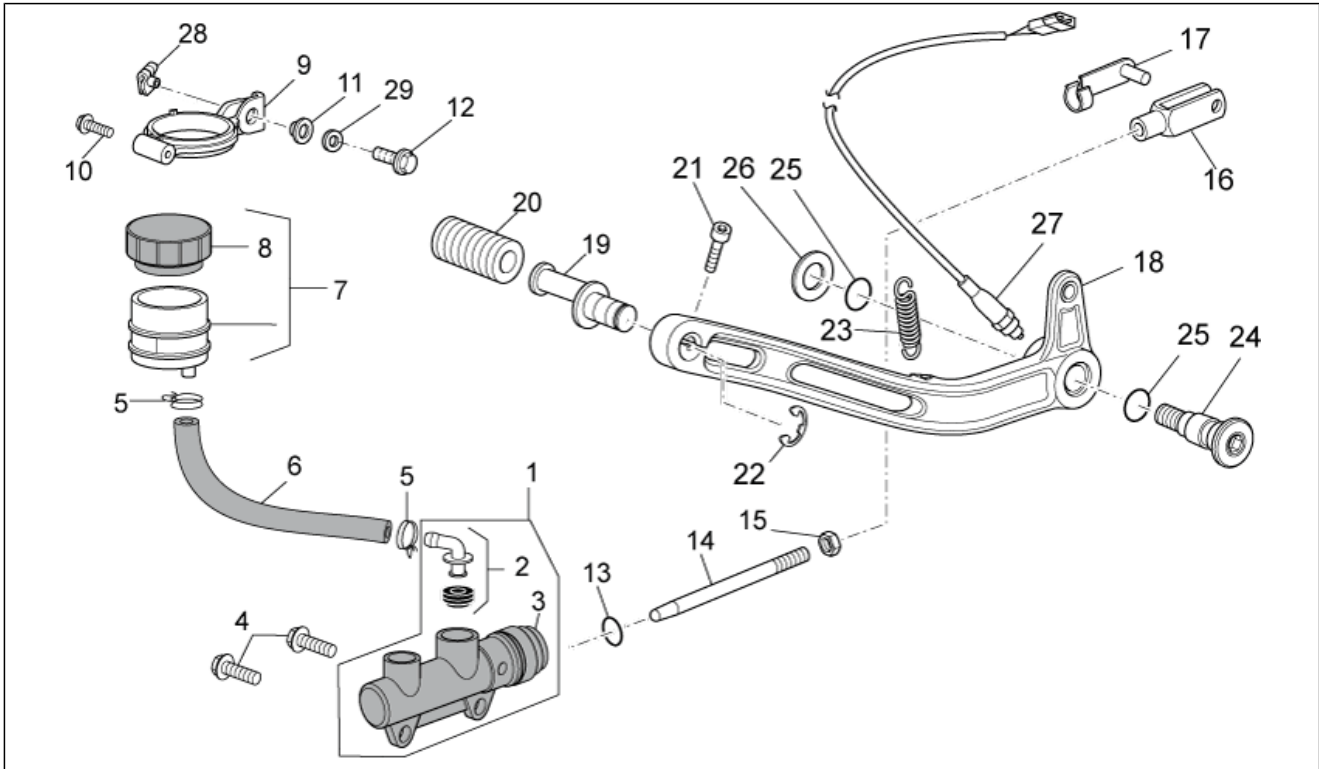
Pos.	Code	Description	Qty	Variants
1	883433	Rear wheel 4,25X17"	1	<b>Technical Specifications:</b> NTX version[ntx]
1	978849	Rear wheel 5,5x17"	1	<b>Technical Specifications:</b> Standard Version[std]
2	0000000	Tyre	1	<b>Technical Specifications:</b> Standard Version[std]
2	0000000	Tyre	1	<b>Technical Specifications:</b> NTX version[ntx]
3	GU05632730	Conical bush	4	
4	GU97202665	Screw w/ flange M12x65	4	
5	977056	Dust cover ring	1	
6	GU05635730	Rear brake disc	1	
7	GU30611460	screw	6	
8	978815	Short spoke	36	
9	978816	Long spoke	36	
10	883287	Nipples L=36	36	
10	978810	Nipples L=34	36	
11	978811	Snap ring	36	
12	GU90706061	O-ring OR2025	36	
13	GU14616150	Counterweight	1	
14	978814	Tubeless tyre valve	1	<b>Year:</b> 2009[9]
14	AP8101744	Tubeless tyre valve	1	<b>Year:</b> 2010[A]
15	978301	Cover	1	
16	GU05681530	Wheel speed sensor, left front	1	<b>Technical Specifications:</b> ABS version[abs]
17	AP8152272	Screw w/ flange M5x12	6	<b>Technical Specifications:</b> ABS version[abs]
18	GU05683730	Sensor	1	<b>Technical Specifications:</b> ABS version[abs]
19	598839	Screw w/ flange	1	<b>Technical Specifications:</b> ABS version[abs]
20	894704	Fairlead	4	<b>Year:</b> 2010[A] <b>Technical Specifications:</b> ABS version[abs]
20	GU49609601	Hose clamp 2,4x92	1	<b>Technical Specifications:</b> ABS version[abs]

<b>Group</b>	FRAME
<b>Code</b>	33.36
<b>Description</b>	Rear master cylinder
<b>Service</b>	1



Pos.	Code	Description	Qty	Variants
1	GU05666930	Rear master cylinder	1	
2	AP8113594	Rear brake pump union	1	
3	AP8113288	Rubber bellows	1	
4	AP8152279	Screw w/ flange M6x20	2	
5	AP8101595	Hose clamp D10,1	2	
6	AP8133779	Rear brake hose	1	
7	GU05663530	Brake oil tank complete	1	
8	GU17661052	Tank cap	1	
9	GU05666030	Tank support	1	
10	AP8152329	Phillips screw, SWP M5x20	1	
11	AP8221145	T bush *	1	
12	598839	Screw w/ flange	1	
13	AP8120178	O-ring OR112	1	
14	977041	Master cylinder rod	1	
15	GU92606206	Nut	1	
16	AP8113081	Fork	1	
17	AP8113082	Gear selector fork clips	1	
18	GU06677000	Rear brake lever	1	
19	AP8121221	Brake lever pin	1	
20	AP8120912	Lever rubber	1	
21	GU98682316	Hex socket screw M6x16	1	
22	AP8150462	Circlip d9	1	
23	GU30434000	Inner spring	1	
24	884033	Rear brake lever pin	1	
25	AP8144007	O-ring 11,11x1,78	2	
26	GU95008310	Washer 10,5x22x2,5	1	
27	AP8112996	clutch switch	1	
28	GU28576592	Nut with clip M6	1	

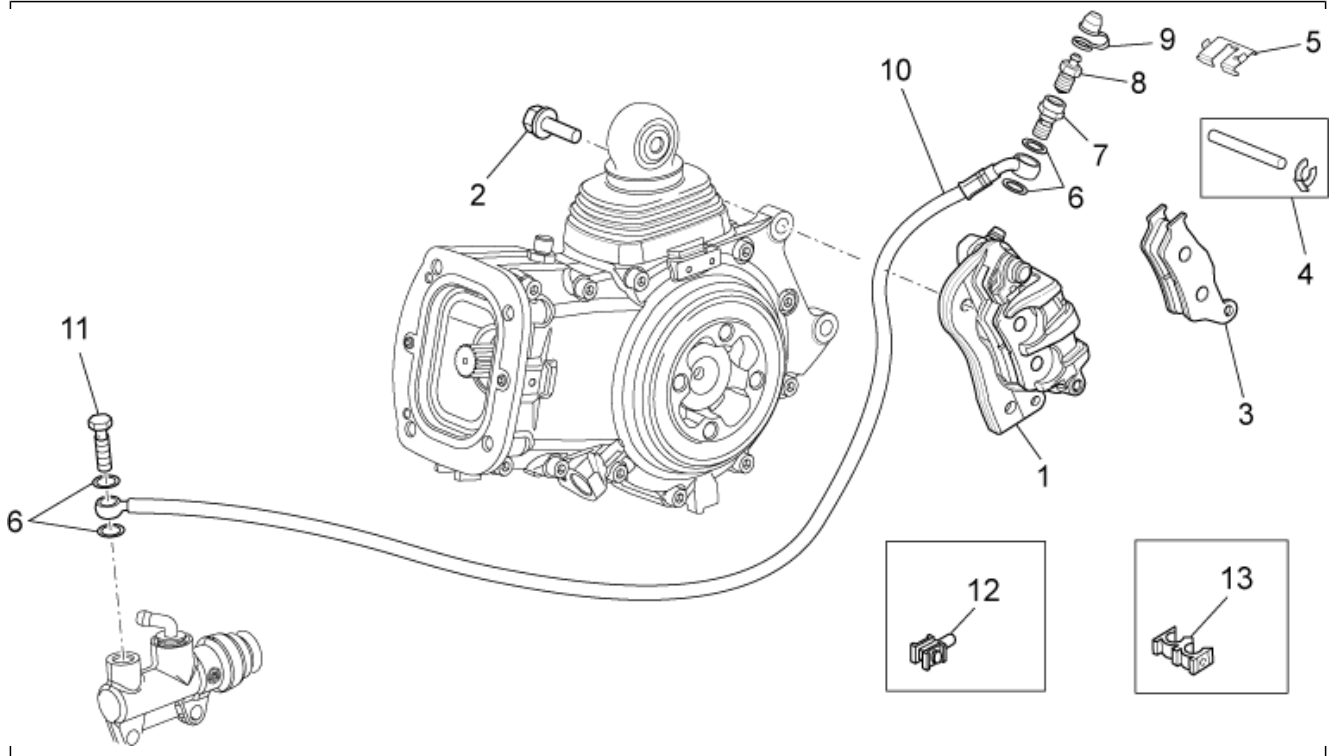
<b>Group</b>	FRAME
<b>Code</b>	33.36
<b>Description</b>	Rear master cylinder
<b>Service</b>	1



Pos.	Code	Description	Qty	Variants
29	GU95021206	Washer	1	



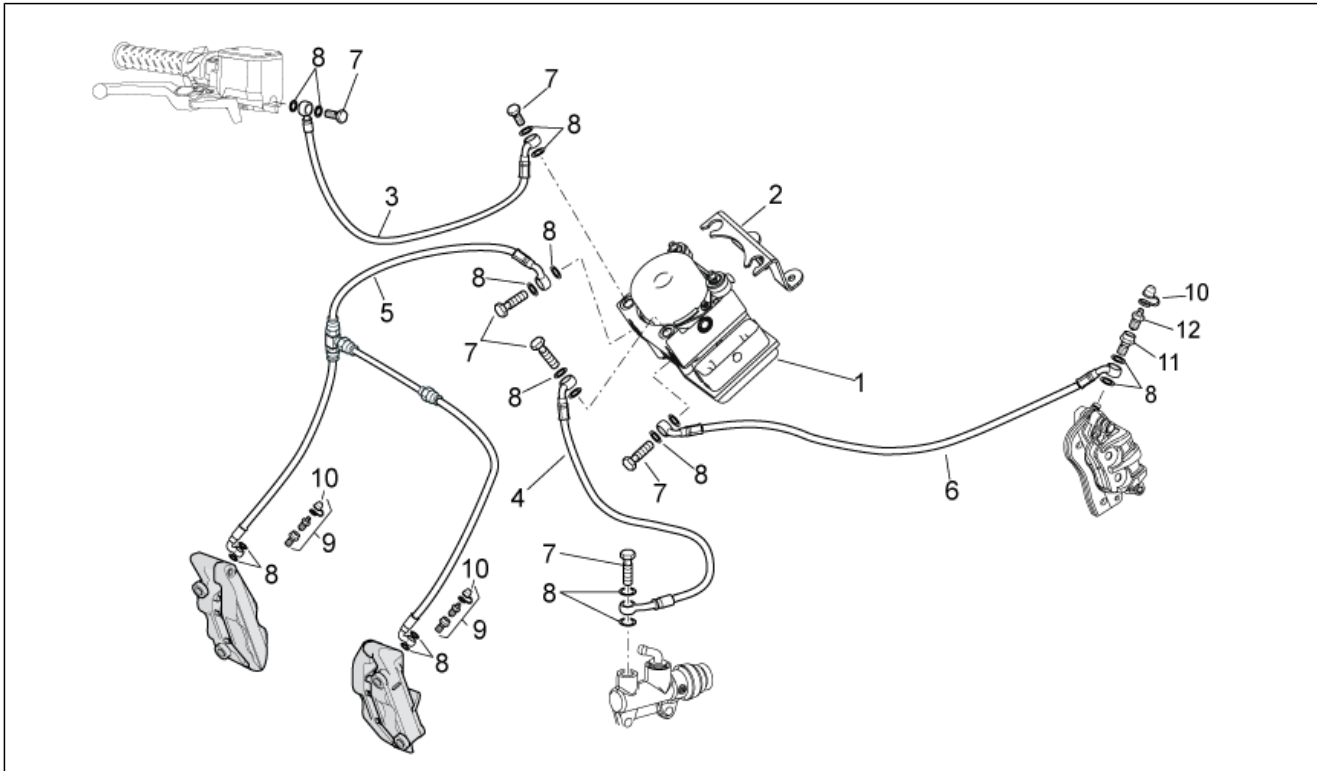
<b>Group</b>	FRAME
<b>Code</b>	33.37
<b>Description</b>	Rear brake caliper
<b>Service</b>	1



Pos.	Code	Description	Qty	Variants
1	978414	Rear brake caliper, black	1	
2	AP8152320	Screw w/ flange	2	
3	GU05654630	Pads pair	1	
4	GU05659130	Pin+split pin	1	
5	GU05659030	Spring	1	
6	AP8113004	Washer 10x14x1,6*	4	
7	AP8133597	screw	1	
8	AP8133595	Air bleed valve	1	
9	AP8113070	Bleed valve cap	1	
10	883007	Rear brake hose	1	<b>Technical Specifications:</b> Version without ABS[noabs]
11	AP8133962	Oil pipe screw *	1	
12	AP8202238	Cable-guide hook	4	
13	AP8201808	Cable-guide D8	5	

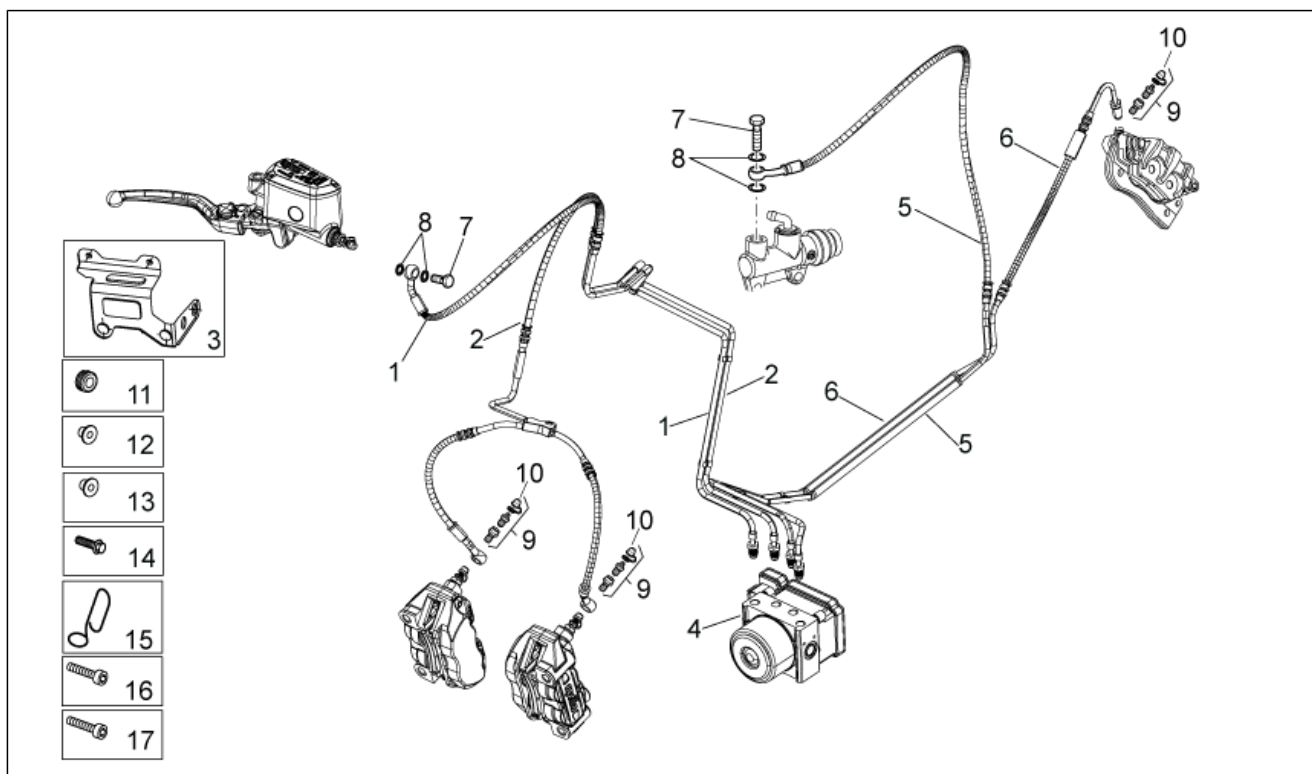


<b>Group</b>	FRAME
<b>Code</b>	33.38
<b>Description</b>	ABS Brake system 2009
<b>Service</b>	1



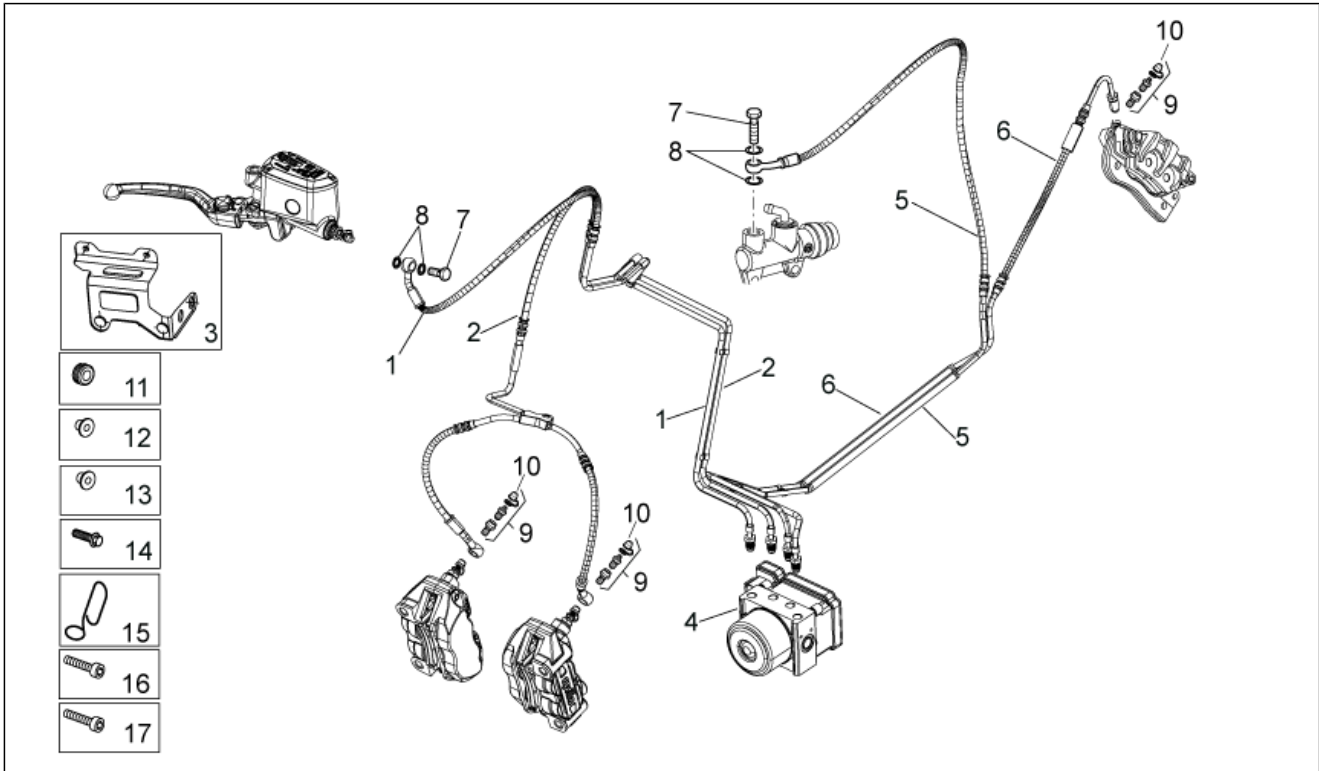
Pos.	Code	Description	Qty	Variants
1	883563	ECU/Pump ABS	1	Year:2009[9] Technical Specifications:ABS version[abs]
2	978033	Maintenance ABS	1	Year:2009[9] Technical Specifications:ABS version[abs]
3	883559	Front brake line	1	Year:2009[9] Technical Specifications:ABS version[abs]
4	883560	Rear brake line	1	Year:2009[9] Technical Specifications:ABS version[abs]
5	883561	Front brake line	1	Year:2009[9] Technical Specifications:ABS version[abs]
6	883562	Rear brake line	1	Year:2009[9] Technical Specifications:ABS version[abs]
7	AP8133962	Oil pipe screw *	6	Year:2009[9]
8	GU25656100	Gasket	18	Year:2009[9]
9	978466	Air bleed valve	2	Year:2009[9]
10	AP8113070	Bleed valve cap	3	Year:2009[9]
11	AP8133597	screw	1	Year:2009[9]
12	AP8133595	Air bleed valve	1	Year:2009[9]

<b>Group</b>	FRAME
<b>Code</b>	33.39
<b>Description</b>	ABS Brake system 2010
<b>Service</b>	1



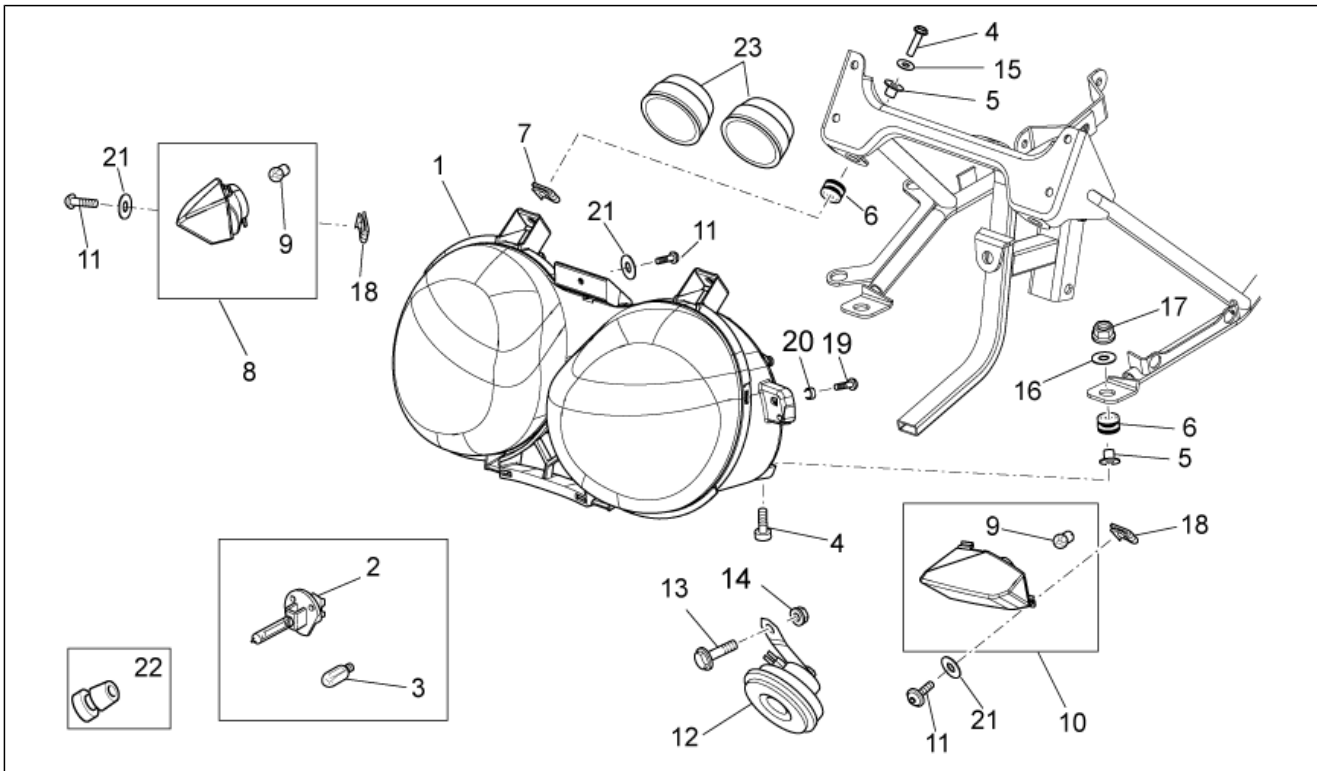
Pos.	Code	Description	Qty	Variants
1	886162	Front brake line	1	Year:2010[A] Technical Specifications:ABS version[abs]
2	886164	Front brake line	1	Year:2010[A] Technical Specifications:ABS version[abs]
3	886149	Maintenance	1	Year:2010[A] Technical Specifications:ABS version[abs]
4	895350	ECU/Pump	1	Year:2010[A] Technical Specifications:ABS version[abs]
5	886163	Rear brake line	1	Year:2010[A] Technical Specifications:ABS version[abs]
6	886165	Rear brake line	1	Year:2010[A] Technical Specifications:ABS version[abs]
7	AP8133962	Oil pipe screw *	4	Year:2010[A] Technical Specifications:ABS version[abs]
8	GU25656100	Gasket	18	Year:2010[A] Technical Specifications:ABS version[abs]
9	AP8133945	Bleeder kit	3	Year:2010[A] Technical Specifications:ABS version[abs]
10	AP8113070	Bleed valve cap	3	Year:2010[A] Technical Specifications:ABS version[abs]
11	AP8120030	Rubber spacer	3	Year:2010[A] Technical Specifications:ABS version[abs]
12	AP8221023	T bush	3	Year:2010[A] Technical Specifications:ABS version[abs]
13	AP8121032	Bush	1	Year:2010[A] Technical Specifications:ABS version[abs]
14	AP8152277	Screw w/ flange M6x12	2	Year:2010[A] Technical Specifications:ABS version[abs]
15	AP8201417	Cable-guide	1	Year:2010[A] Technical Specifications:ABS version[abs]
16	AP8152117	Hex socket screw	1	Year:2010[A] Technical Specifications:ABS version[abs]

<b>Group</b>	FRAME
<b>Code</b>	33.39
<b>Description</b>	ABS Brake system 2010
<b>Service</b>	1



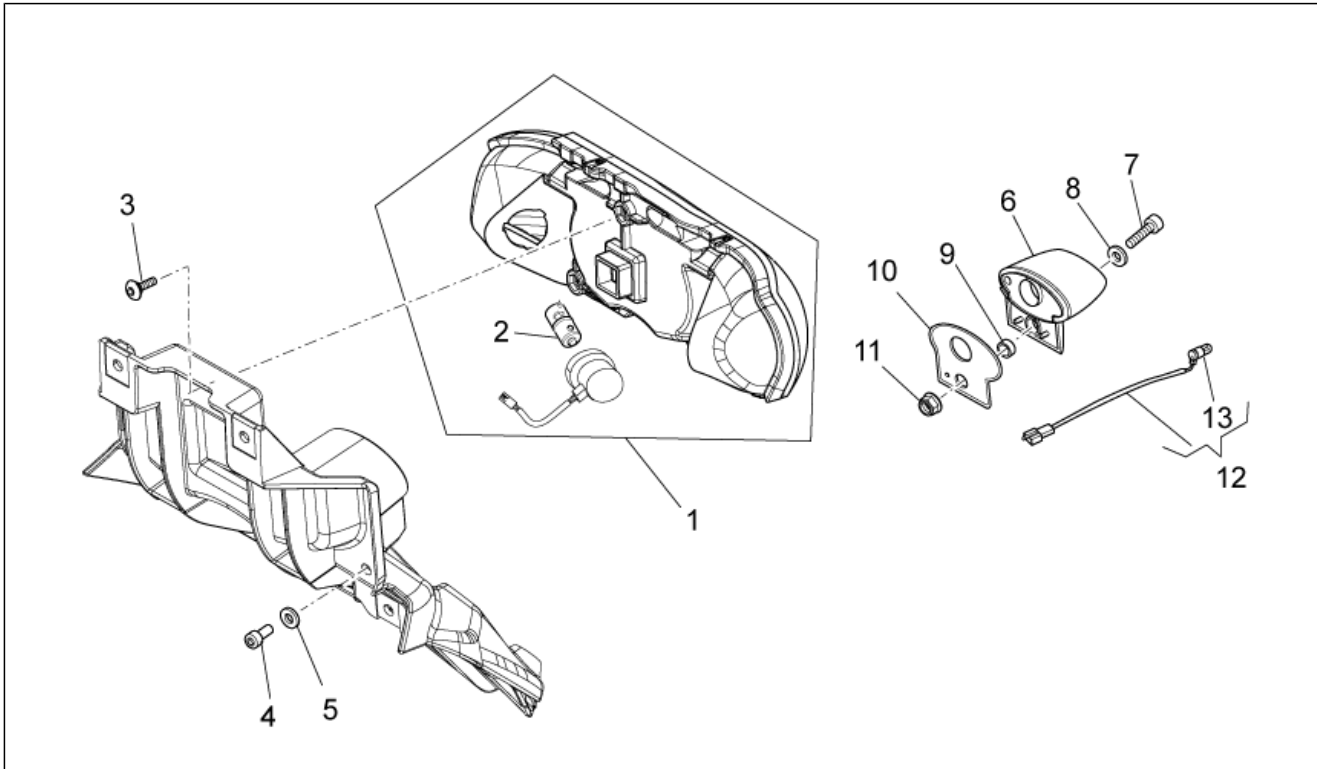
Pos.	Code	Description	Qty	Variants
17	GU98350320	Hex socket screw M6x20	2	Year:2010[A] Technical Specifications:ABS version[abs]

<b>Group</b>	FRAME
<b>Code</b>	33.40
<b>Description</b>	Headlight/Horn
<b>Service</b>	1



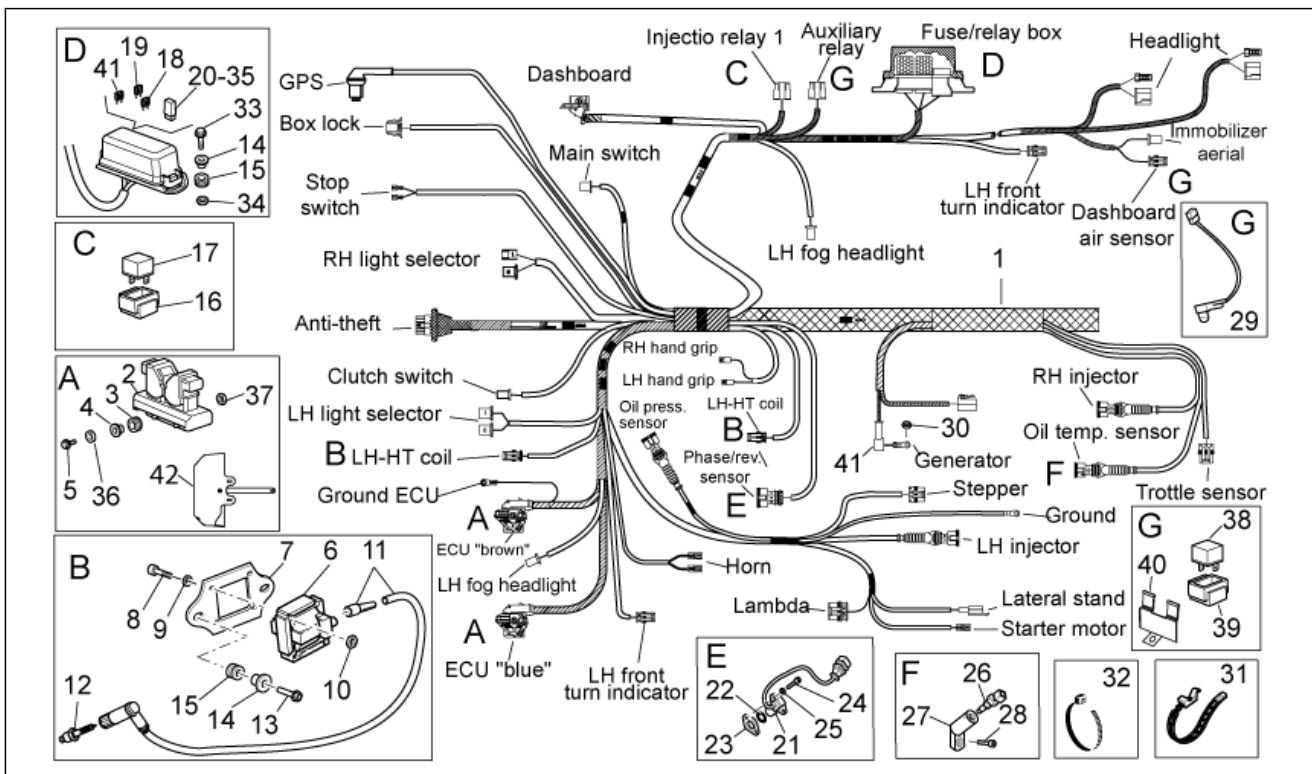
Pos.	Code	Description	Qty	Variants
1	978450	Headlight	1	
2	292723	Lamp H4 60/55W 12V	2	
3	292022	Lamp 12V-5W	2	
4	GU98680225	Hex socket screw M5x25	2	
5	AP8221023	T bush	4	
6	AP8120030	Rubber spacer	4	
7	AP8102375	Clip m5	4	
8	978428	RH front turn indicator	1	
9	584332	Lamp 12V-10W	2	
10	978427	LH front turn indicator	1	
11	GU98682116	screw	3	
12	883463	Electric hom L	1	Year:2009[9]
12	886178	Horn	1	Year:2010[A]
13	AP8152279	Screw w/ flange M6x20	1	
14	AP8152299	Self-locking nut M6	1	
15	GU95129100	Spring washer 5,3X10X0,5	2	
16	GU95021105	Notched washer	2	
17	GU92650035	Flanged nut	2	
18	AP8102381	Clip M4	2	
19	GU98680125	screw M4x25	2	
20	GU91120507	Bush	2	
21	GU95008205	Washer 5,3x10x0,8	3	
22	2R000006	Bulb socket	2	
23	2R000007	***HEADLIGHT LAMP PROTECTION CAP	2	

<b>Group</b>	FRAME
<b>Code</b>	33.41
<b>Description</b>	Taillight
<b>Service</b>	1



Pos.	Code	Description	Qty	Variants
1	978451	Taillight	1	
2	584332	Lamp 12V-10W	2	
3	AP8152302	Screw w/ flange M5x12	1	
4	GU98692210	Hex socket screw	2	
5	GU95100059	Washer 5,25x14x1,5	2	
6	AP8127098	Number-plate light	1	
7	GU98680225	Hex socket screw M5x25	1	
8	GU95008205	Washer 5,3x10x0,8	1	
9	GU91120507	Bush	1	
10	GU32474710	Support rubber part	1	
11	AP8152306	Self-locking nut m5	1	
12	977795	Plate light wiring	1	
13	292022	Lamp 12V-5W	1	

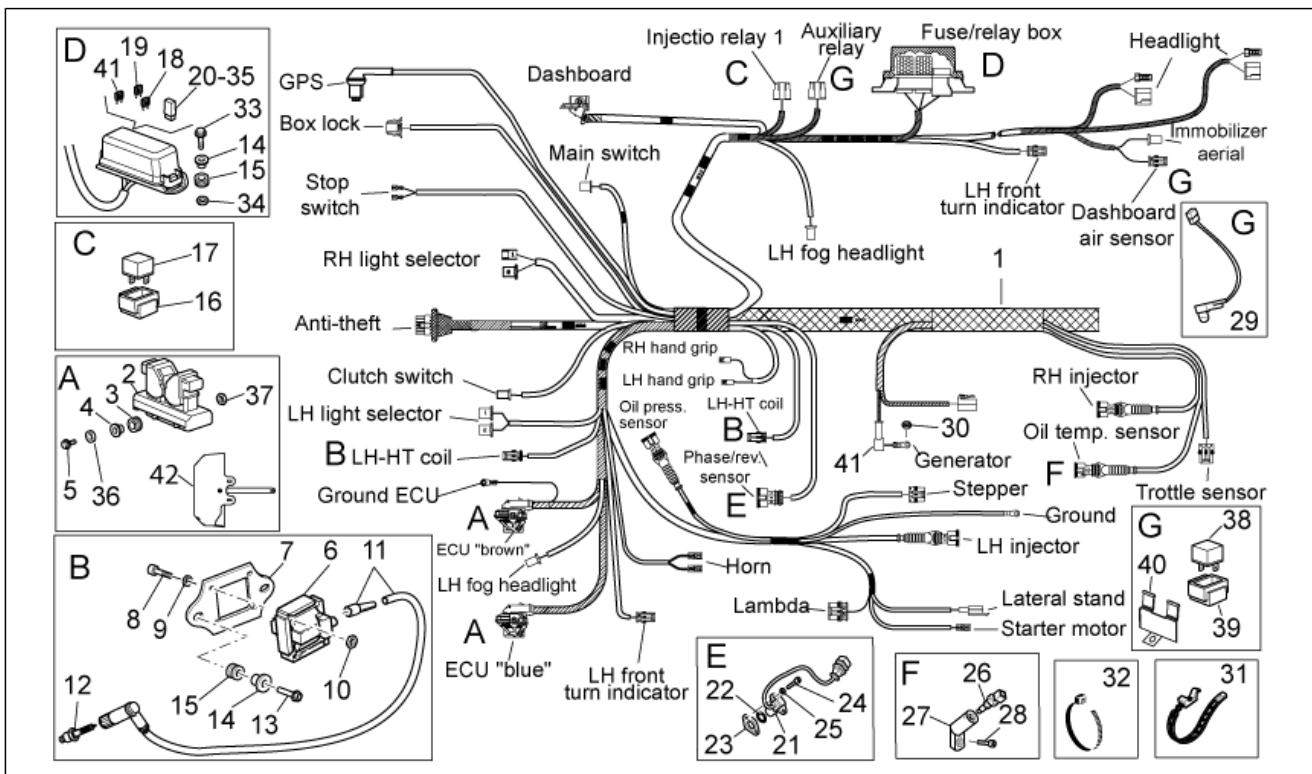
<b>Group</b>	FRAME
<b>Code</b>	33.42
<b>Description</b>	Electrical system I
<b>Service</b>	1



Pos.	Code	Description	Qty	Variants
1	883224	Main wiring harness	1	Year:2009[9] Technical Specifications:ABS version[abs]
1	886161	Main wiring harness	1	Year:2010[A] Technical Specifications:ABS version[abs]
1	978448	Main wiring harness	1	Technical Specifications:Version without ABS[noabs]
2	883408	ECU	1	Year:2009[9] Technical Specifications:ABS version[abs]
2	883653	ECU	1	Year:2009[9] Technical Specifications:Version without ABS[noabs]
2	883653	ECU	1	Year:2010[A]
3	978152	Rubber spacer	2	
4	AP8121795	T bush	2	
5	GU98690245	Hex socket screw M5x45	2	
6	GU30716500	HT coil	2	
7	GU05716730	Coil holder	2	
8	GU98682125	Hex socket screw	8	
9	GU95008204	Washer 4,3x8x0,5	8	
10	GU92630104	Nut M4x0,7	8	
11	883028	HT wire	2	
12	639687	Spark plug CR8EKB	2	Year:2010[A]
12	GU05717030	Spark plug NGK PMR8B	2	Year:2009[9]
13	AP8152279	Screw w/ flange M6x20	6	
14	AP8120030	Rubber spacer	6	
15	AP8221023	T bush	6	
16	AP8220546	Relay rubber	2	
17	895481	Injection relay	2	Year:2010[A]
17	AP8124869	Injection relay	2	Year:2009[9]
18	977769	Fuse 3A	3	Year:2009[9]
18	CM225603	Fuse 3A	2	Year:2010[A]



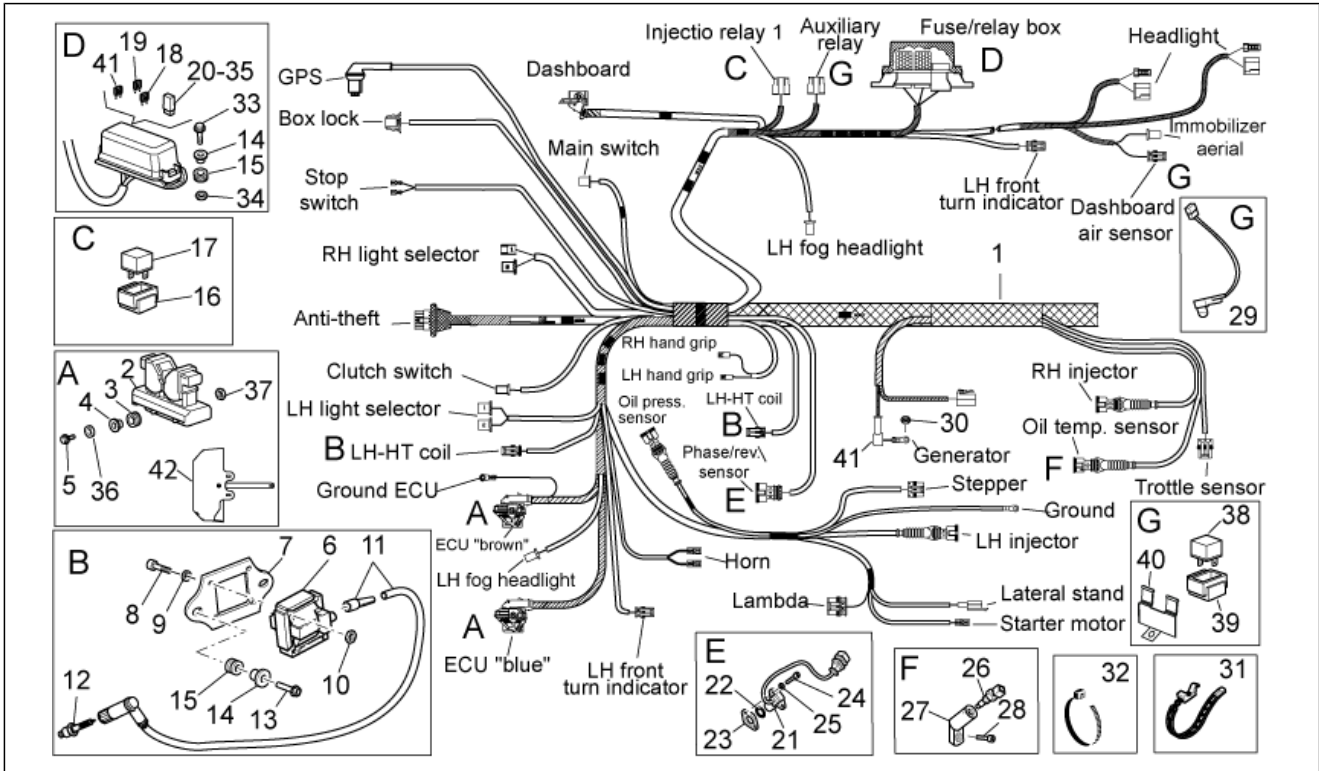
<b>Group</b>	FRAME
<b>Code</b>	33.42
<b>Description</b>	Electrical system I
<b>Service</b>	1



Pos.	Code	Description	Qty	Variants
19	977772	Fuse 15A	5	Year:2009[9]
19	CM225615	Fuse 15A	5	Year:2010[A]
20	GU01731760	Relay shunt va.siem. A1001A403	1	
21	GU01721600	Phase/revolution sensor	1	
22	847180	O-ring	1	
23	GU01722700	Gasket 0,3mm	1	
23	GU01722701	Gasket 0,4 mm	1	
23	GU01722702	Gasket 0,6mm	1	
23	GU01722703	Gasket	1	
23	GU01722704	Gasket 1mm	1	
23	GU01722705	Gasket 1,5mm	1	
23	GU29722760	Gasket 0,5 mm	1	
24	GU98682212	Hex socket screw M5x12	2	
25	GU95008205	Washer 5,3x10x0,8	2	
26	GU29729461	Oil temperature sensor	1	
27	976556	Sensor support	1	
28	GU98683520	Hex socket screw M10x20	1	
29	AP8124936	Air temp. Sensor	1	
30	AP8152299	Self-locking nut M6	3	
31	GU06609600	Hose clamp	9	
32	GU14609650	Hose clamp 3,6x20,6	23	
32	GU49609601	Hose clamp 2,4x92	5	
32	GU93304360	Hose clamp 7,6x380	2	
32	GU93304390	Hose clamp 3,6x375	2	
33	AP8152280	Screw w/ flange M6x25	2	
34	AP8152299	Self-locking nut M6	2	
35	GU01732560	Mini-relay A1001A402	3	
36	GU95100059	Washer 5,25x14x1,5	2	



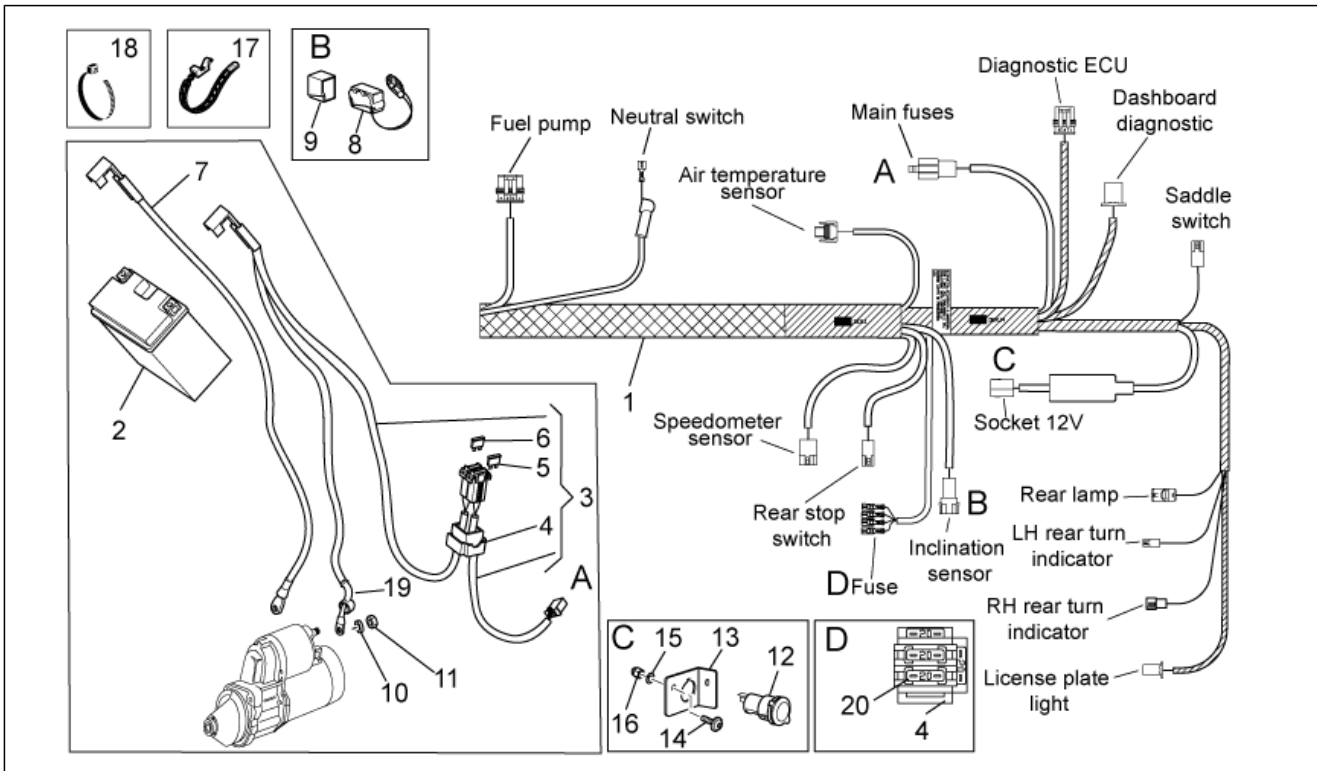
<b>Group</b>	FRAME
<b>Code</b>	33.42
<b>Description</b>	Electrical system I
<b>Service</b>	1



Pos.	Code	Description	Qty	Variants
37	AP8152306	Self-locking nut m5	2	
38	AP8224462	Relay 12V/30A	1	
39	AP8220283	Rubber spacer *	1	
40	883148	plate	1	
41	977771	Fuse 10A	1	Year:2009[9]
41	CM225610	Fuse 10A	1	Year:2010[A]
42	883968	Protection	1	

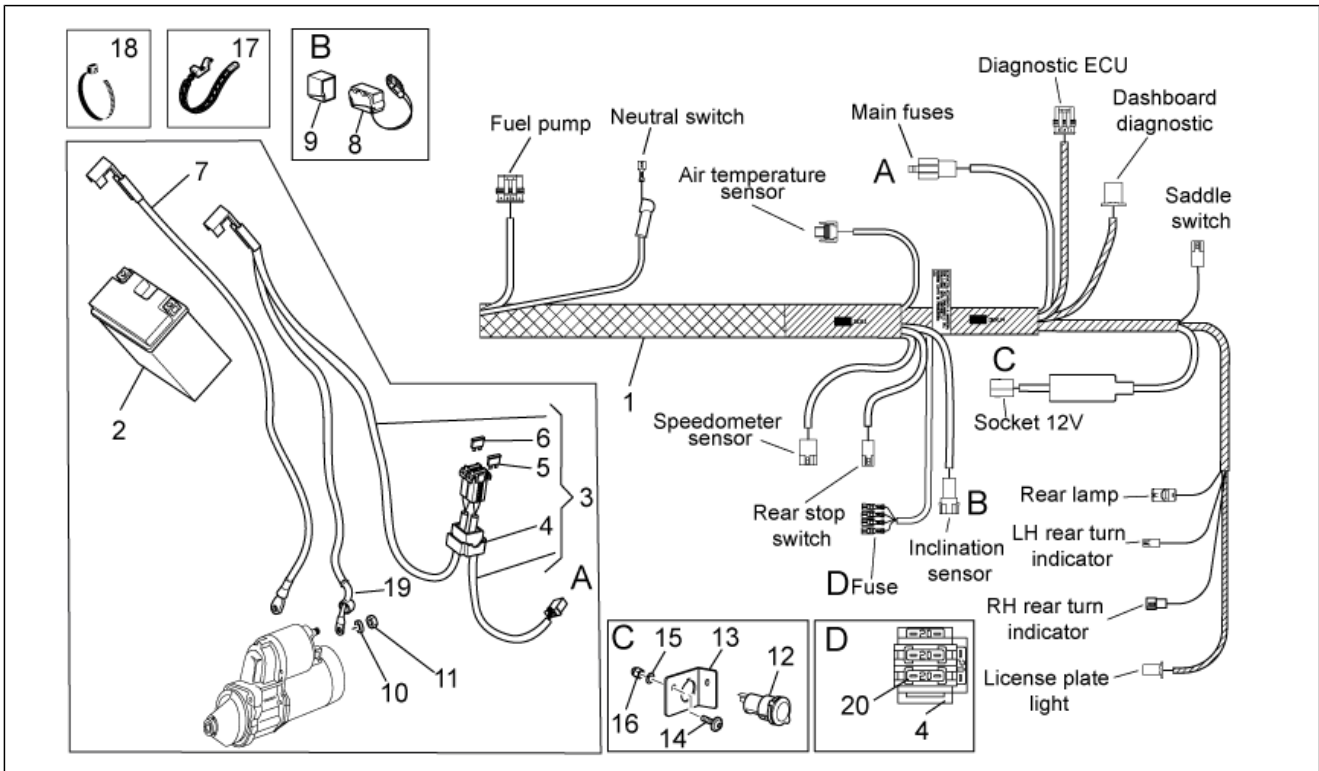


<b>Group</b>	FRAME
<b>Code</b>	33.43
<b>Description</b>	Electrical system II
<b>Service</b>	1



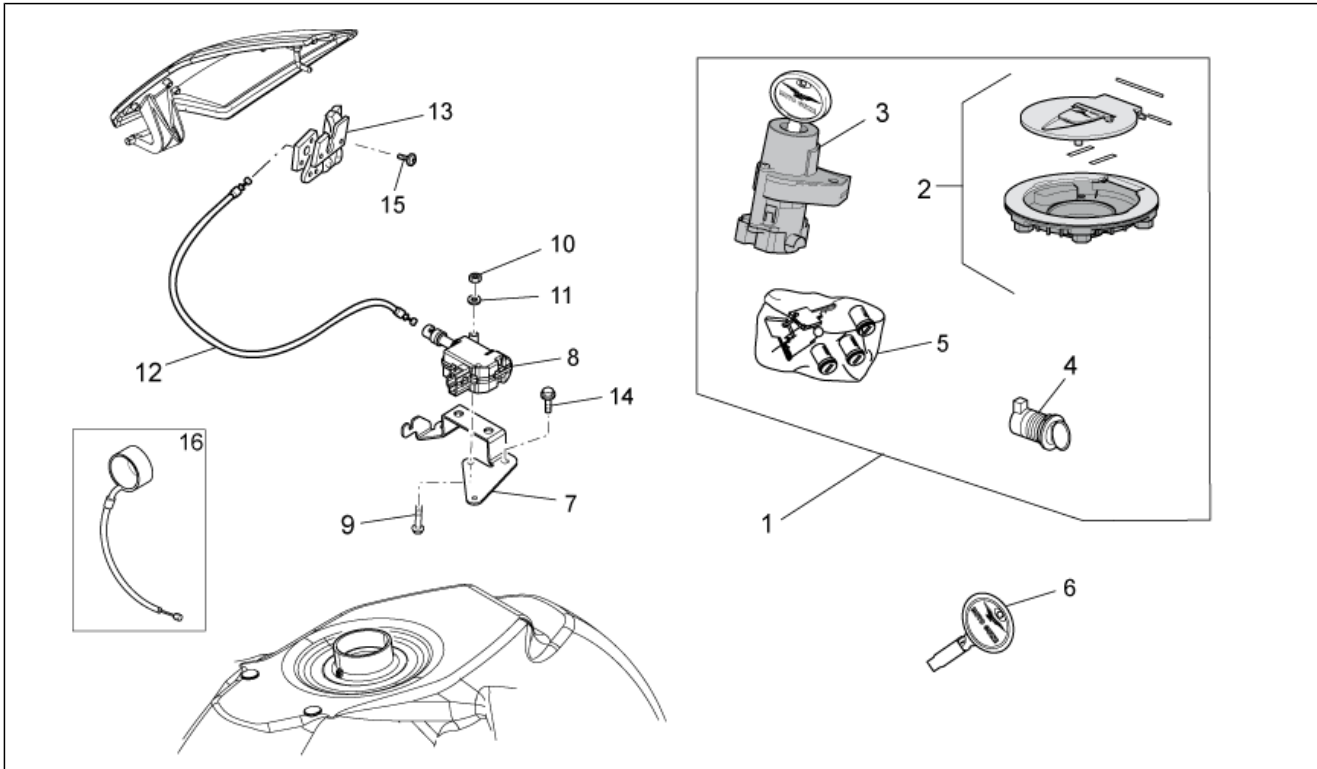
Pos.	Code	Description	Qty	Variants
1	883224	Main wiring harness	1	Year:2009[9] Technical Specifications:ABS version[abs]
1	886161	Main wiring harness	1	Year:2010[A] Technical Specifications:ABS version[abs]
1	978448	Main wiring harness	1	Technical Specifications:Version without ABS[noabs]
2	GU05704531	Battery 12V-20Ah	1	
3	883628	Wiring	1	Year:2009[9] Technical Specifications:Version without ABS[noabs]
3	883628	Wiring	1	Year:2009[9] Technical Specifications:ABS version[abs]
4	AP8112811	Rubber fuse box	1	
5	CM225730	Fuse 30A	2	Year:2010[A]
5	GU28742562	Fuse 30A	2	Year:2009[9]
6	977762	Fuse ABS-40A	2	Year:2009[9]
6	CM225740	Fuse 40A	2	Year:2010[A]
7	886190	Ground-battery lead	1	Year:2010[A] Technical Specifications:ABS version[abs]
7	GU06747900	Ground-battery lead	1	Technical Specifications:Version without ABS[noabs]
7	GU06747900	Ground-battery lead	1	Year:2009[9] Technical Specifications:ABS version[abs]
8	584509	Fall sensor	1	
9	AP8144046	Rubber sensor support	1	
10	GU95129131	Washer 8,4x15x1,7	1	
11	GU92609408	Nut M8x1,25	1	
12	AP8124768	Socket	1	
13	883063	Support plate	1	
14	GU98350210	Hex socket screw	2	
15	GU95008205	Washer 5,3x10x0,8	2	
16	GU92787205	Cap nut	2	

<b>Group</b>	FRAME
<b>Code</b>	33.43
<b>Description</b>	Electrical system II
<b>Service</b>	1



Pos.	Code	Description	Qty	Variants
17	GU06609600	Hose clamp	9	
18	GU14609650	Hose clamp 3,6x20,6	23	
18	GU49609601	Hose clamp 2,4x92	5	
18	GU93304390	Hose clamp 3,6x375	2	
19	977916	Insulating cap	1	
20	CM225720	Fuse 20A	4	Year:2010[A]

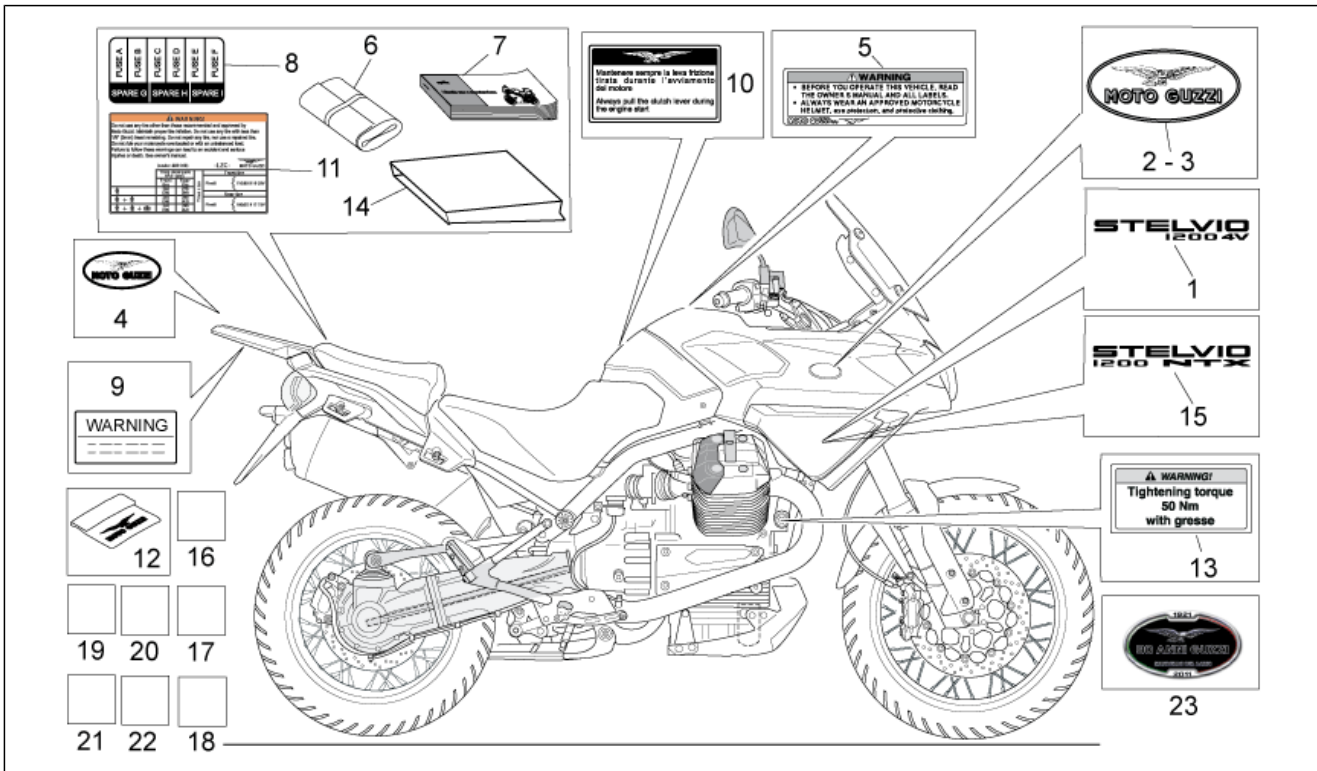
<b>Group</b>	FRAME
<b>Code</b>	33.44
<b>Description</b>	Lock hardware kit
<b>Service</b>	1



Pos.	Code	Description	Qty	Variants
1	977666	Lock kit	1	Country:Australia[AUS], Canadian[CA], europe[EU], Japan[J]
1	B063858	Lock kit	1	Country:United States of America[USA]
2	GU05103930	Tank cap	1	
3	B063859	Main switch - steering lock	1	Country:United States of America[USA]
3	GU05782530	Main switch - steering lock	1	Country:Australia[AUS], Canadian[CA], europe[EU], Japan[J]
4	GU05466830	Saddle lock	1	
5	978220	Rotor kit with key	1	
6	977918	Non indented key blank	1	
7	883038	Support plate	1	
8	AP8127650	Front box lock	1	
9	883042	Screw M4x35	2	
10	GU92630204	Nut	2	
11	GU95021204	Washer	2	
12	883080	Lock cable	1	
13	CM023705	Box lock	1	
14	AP8152272	Screw w/ flange M5x12	2	
15	AP8152339	Screw w/ flange M5x9	2	
16	981087	Immobilizer antenna	1	



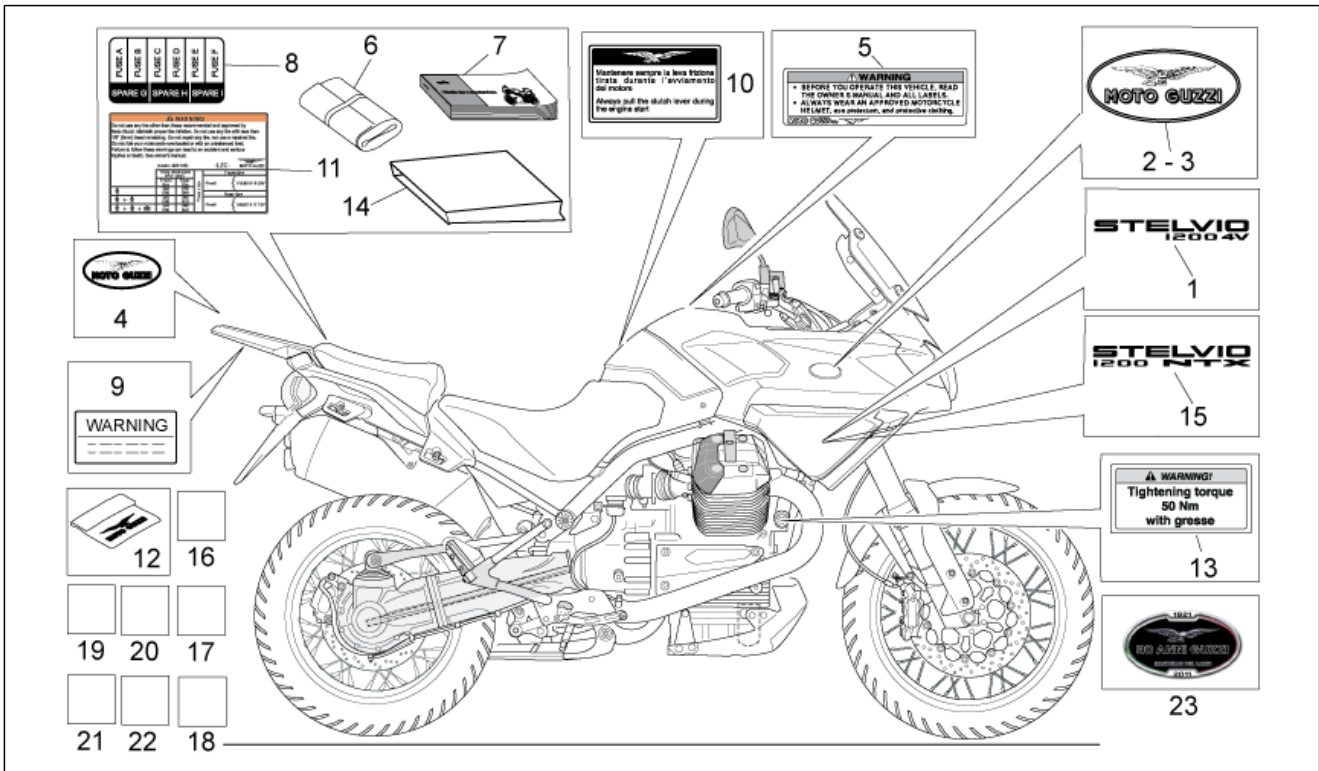
<b>Group</b>	FRAME
<b>Code</b>	33.45
<b>Description</b>	Plate set-decal-op.handbooks
<b>Service</b>	1



Pos.	Code	Description	Qty	Variants
1	978987	Decal "Stelvio 1200 4V"	2	Vehicle colour:BLACK 2009[bl], Guzzi Red 2009[r/red], Silver Crowd (s.t.886112)[sc], White 2009[wh] Technical Specifications:Standard Version[std]
2	GU06917400	LH Name plate,red/gold AL	1	
3	GU06917300	RH Name plate,red/gold AL	1	
4	977303	"Moto Guzzi" dataplate	1	
5	AP8157631	Name plate	1	
6	978882	Toolkit	1	
7	883380	Operator's handbook	1	Country:Australia[AUS], Canadian[CA], United States of America[USA]
7	883621	Operator's handbook I-F-D-E-NL-UK	1	Technical Specifications:NTX version[ntx]
7	978426	Operator's handbook I-F-D-E-NL-UK	1	Technical Specifications:Standard Version[std]
8	978647	Sticker "schema fusibili"	1	
9	AP8157631	Name plate	1	
10	GU05944930	Decal Engine Start	1	
11	883776	Tyre pressure decal	1	
12	GU30970200	Bike cover	1	
13	GU05944530	Decal Warning	1	
14	GU05900130	Bag for document	1	
15	883571	Decal "Stelvio 1200 NTX"	2	Vehicle colour:Bronze 2009[bron], Silver Crowd (s.t.886112)[sc] Technical Specifications:NTX version[ntx]
16	883772	Noise emission sticker	1	Country:Canadian[CA], United States of America[USA]
17	883771	Carbon filter sticker	1	Country:Canadian[CA], United States of America[USA]
18	883770	Emission control sticker	1	Country:Canadian[CA], United States of America[USA]
19	AP8157100	Decal Shock Adsorber	1	
20	AP8257609	Mirror decal	2	
21	AP8257794	Battery decal	1	
22	AP8257742	Keys warning decal	1	



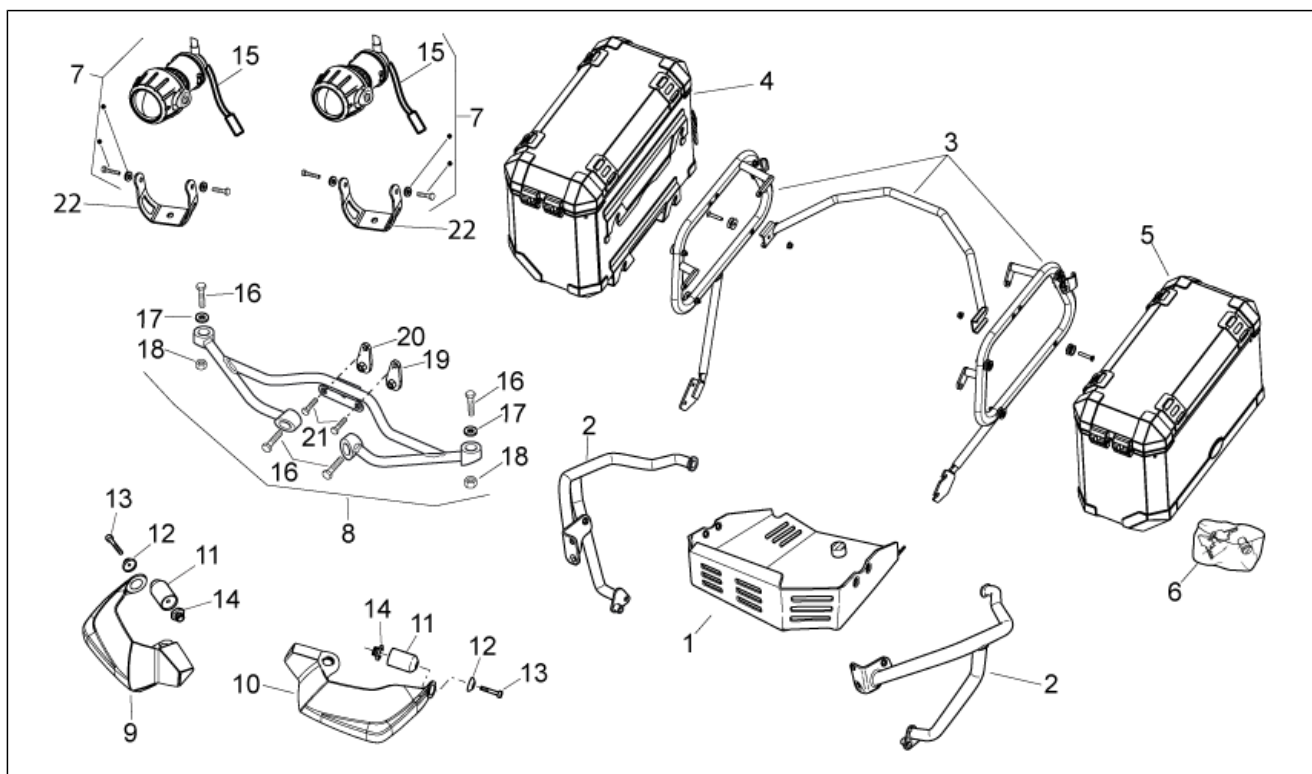
<b>Group</b>	FRAME
<b>Code</b>	33.45
<b>Description</b>	Plate set-decal-op.handbooks
<b>Service</b>	1



Pos.	Code	Description	Qty	Variants
23	886944	Decal "90 Anni Guzzi"	1	



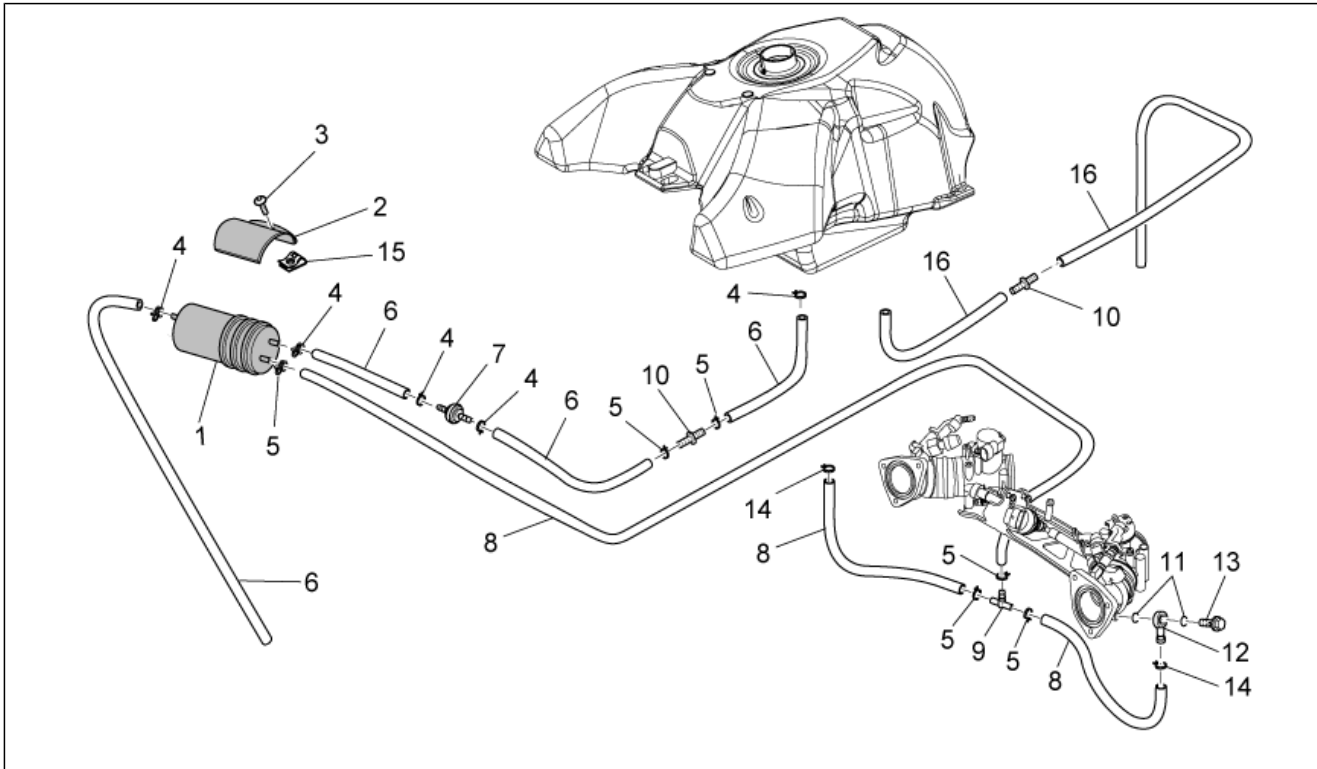
<b>Group</b>	FRAME
<b>Code</b>	33.66
<b>Description</b>	Special parts
<b>Service</b>	1



Pos.	Code	Description	Qty	Variants
1	983153	Protection	1	Technical Specifications:NTX version[ntx]
2	983152	Protection	1	Technical Specifications:NTX version[ntx]
3	981073	suitcase connect. Kit	1	Technical Specifications:NTX version[ntx]
4	981071	RH suitcase	1	Technical Specifications:NTX version[ntx]
5	981072	LH suitcase	1	Technical Specifications:NTX version[ntx]
6	981074	Saddlebags lock hardw.kit	1	Technical Specifications:NTX version[ntx]
7	883657	Fog headlight	2	Technical Specifications:NTX version[ntx]
8	983161	Additional light kit	1	Technical Specifications:NTX version[ntx]
9	883254	RH handguard	1	Technical Specifications:NTX version[ntx]
10	883253	LH handguard	1	Technical Specifications:NTX version[ntx]
11	AP8104627	Anti.v weight, black	2	Technical Specifications:NTX version[ntx]
12	AP8121819	Washer 6,5x12,5*	2	Technical Specifications:NTX version[ntx]
13	AP8150342	Hex socket screw M6x70	2	Technical Specifications:NTX version[ntx]
14	883134	Terminal	2	Technical Specifications:NTX version[ntx]
15	883655	Headlight wiring w/harness	1	
16	GU98692420	Hex socket screw M8x20	1	
17	GU95005308	Washer 8,4x14,57x1,6	1	
18	GU92630708	Nut	1	
19	883685	RH headlight supp.	1	
20	883686	LH headlight supp.	1	
21	GU98690460	Hex socket screw	1	
22	883991	Staffa fissaggio fendinebbia	2	Technical Specifications:NTX version[ntx]

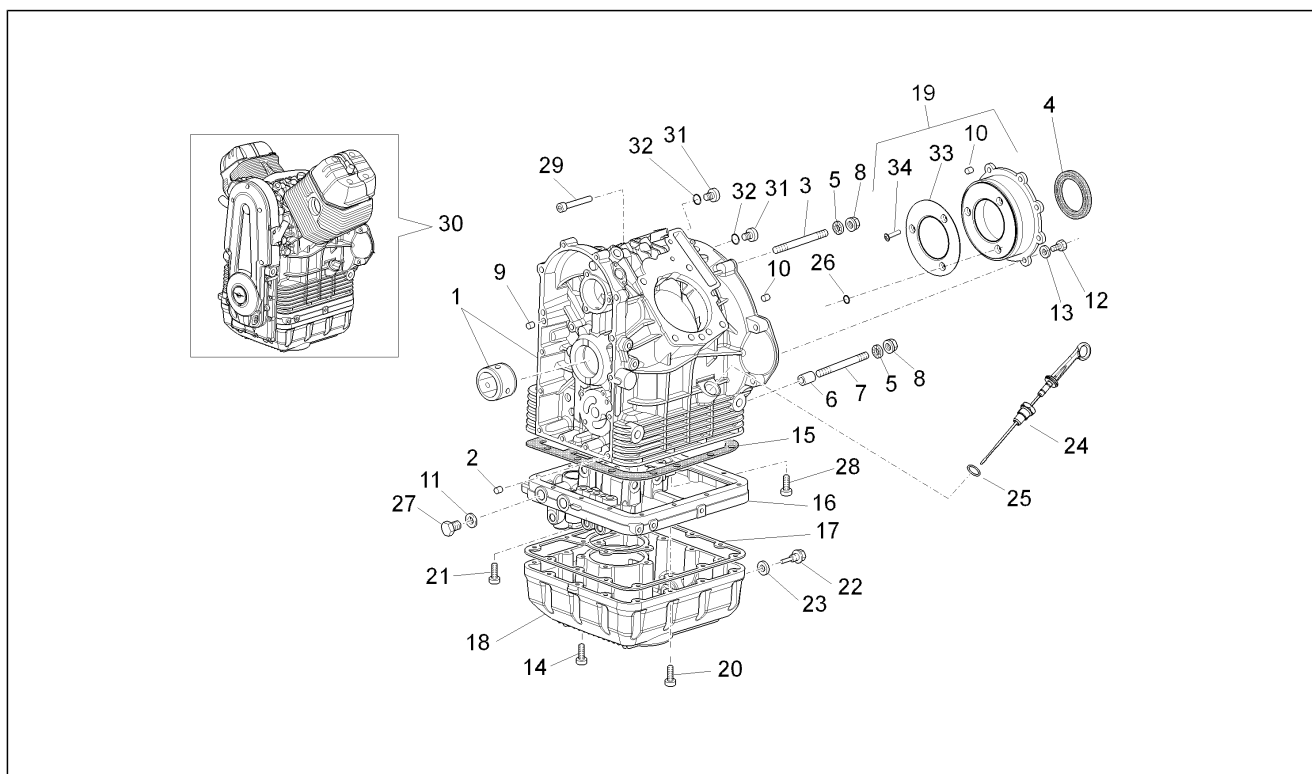


<b>Group</b>	FRAME
<b>Code</b>	33.69
<b>Description</b>	Fuel vapour recover system
<b>Service</b>	1



Pos.	Code	Description	Qty	Variants
1	AP8102678	Carbon filter	1	Country:Canadian[CA], United States of America[USA]
2	AP8134884	Canister support plate	1	Country:Canadian[CA], United States of America[USA]
3	AP8152277	Screw w/ flange M6x12	1	Country:Canadian[CA], United States of America[USA]
4	GU28157950	Hose clip 12,5x8	5	Country:Canadian[CA], United States of America[USA]
5	GU29108550	Hose clip 11,5x6	6	Country:Canadian[CA], United States of America[USA]
6	856063	pipe SAE 30 d.12,7x6,35	4	Country:Canadian[CA], United States of America[USA]
7	AP8104614	Pressure valve	1	Country:Canadian[CA], United States of America[USA]
8	856062	pipe SAE 30 d.11,11x4,8	3	Country:Canadian[CA], United States of America[USA]
9	AP8144303	3-way union	1	Country:Canadian[CA], United States of America[USA]
11	GU90706009	O-ring 6x1	4	Country:Canadian[CA], United States of America[USA]
12	GU95963062	Joint	2	Country:Canadian[CA], United States of America[USA]
13	GU95990023	Bored screw	2	Country:Canadian[CA], United States of America[USA]
14	AP8102378	Hose clamp D11,3	2	Country:Canadian[CA], United States of America[USA]
15	GU28576592	Nut with clip M6	1	Country:Canadian[CA], United States of America[USA]

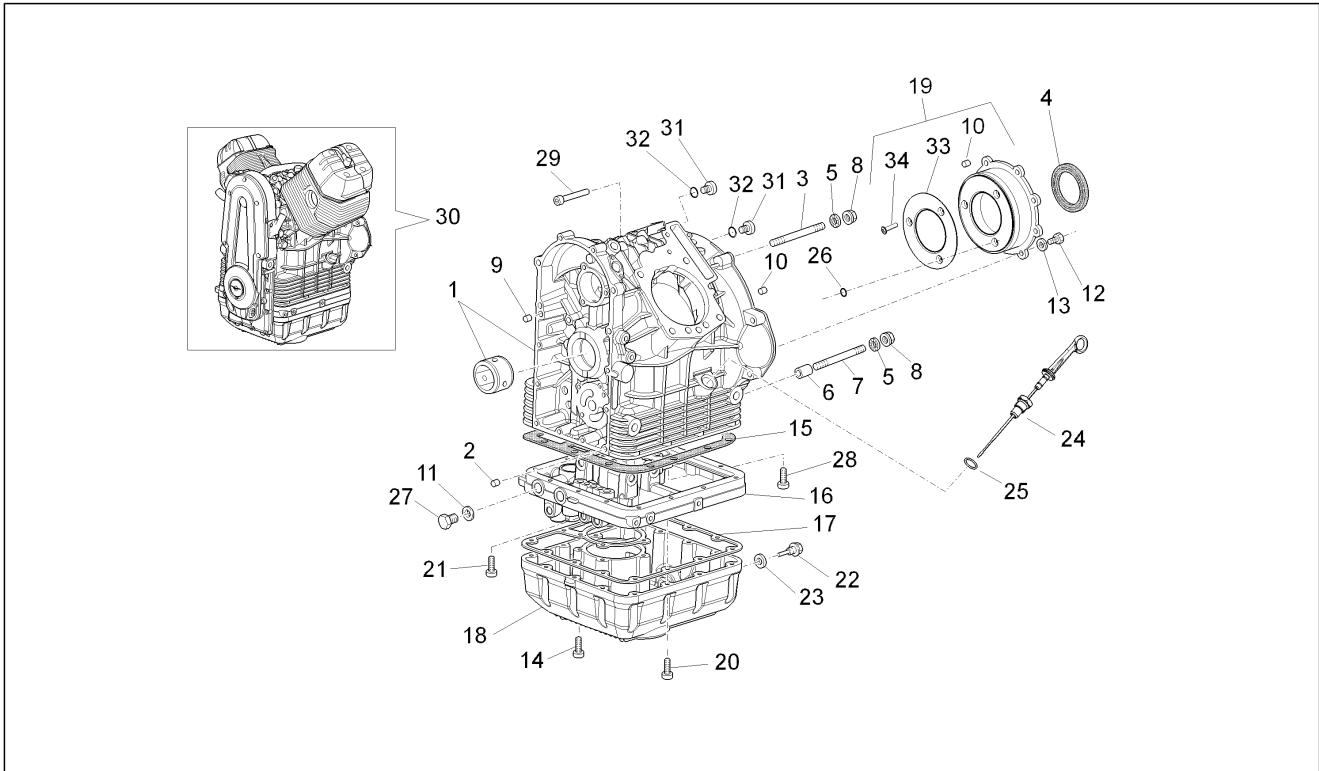
<b>Group</b>	ENGINE
<b>Code</b>	34.46
<b>Description</b>	Crank-case I
<b>Service</b>	1



Pos.	Code	Description	Qty	Variants
1	976539	Crankcase black	1	
2	411209	Pin	2	
3	GU96508066	Stud bolt M8X66	3	
4	GU90405367	Gasket ring	1	
5	GU14615901	Washer 8,4X13X0,8	5	
6	GU12018900	Coupling bush	2	
7	GU96508075	Stud bolt M8x75	2	
8	GU92660021	Flanged nut M8	5	
9	GU95512081	Pin	2	
10	560110	Pin	2	
11	GU01154230	Gasket	2	
12	GU98084425	Hex screw M8x25	8	
13	GU61270300	Spring washer 8x15x0,3	8	
14	GU98682330	Hex socket screw M6x20	4	
15	GU01003651	Gasket	1	
16	976502	Flange black	1	
17	GU05003630	Gasket	1	
18	976486	Oil sump black	1	
19	976703	Complete flange	1	
20	AP4ADN000007	Hex socket screw	14	
21	GU98680360	Hex socket screw M6x60	2	
22	GU31003766	Oil unload plug M10x1	1	
23	GU01528930	Gasket 10x18x1,5	1	
24	883144	Oil level rod cpl.	1	
25	GU90706178	O-ring 17,86X2,62	1	
26	874980	O-ring 7,5X2	1	
27	GU95980216	Cover	2	
28	GU98680340	Hex socket screw M6x40	2	

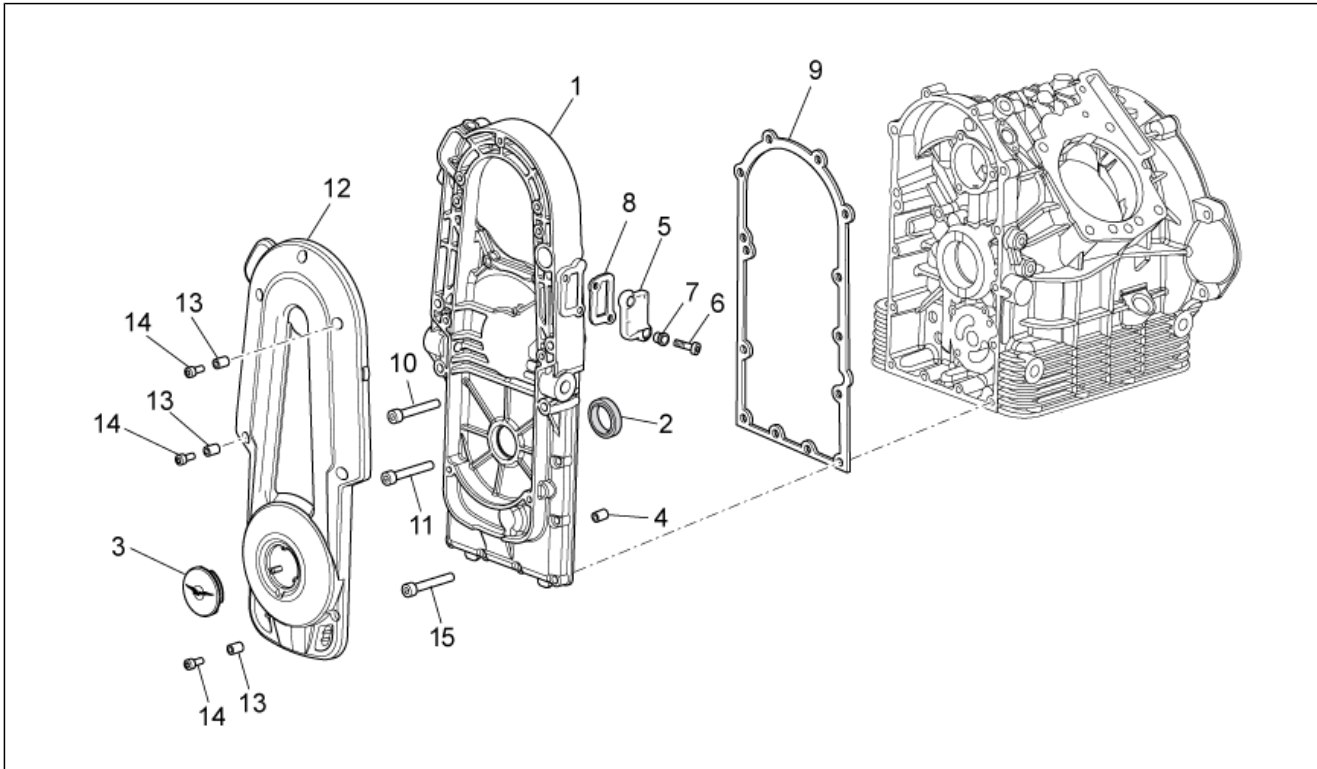


<b>Group</b>	ENGINE
<b>Code</b>	34.46
<b>Description</b>	Crank-case I
<b>Service</b>	1



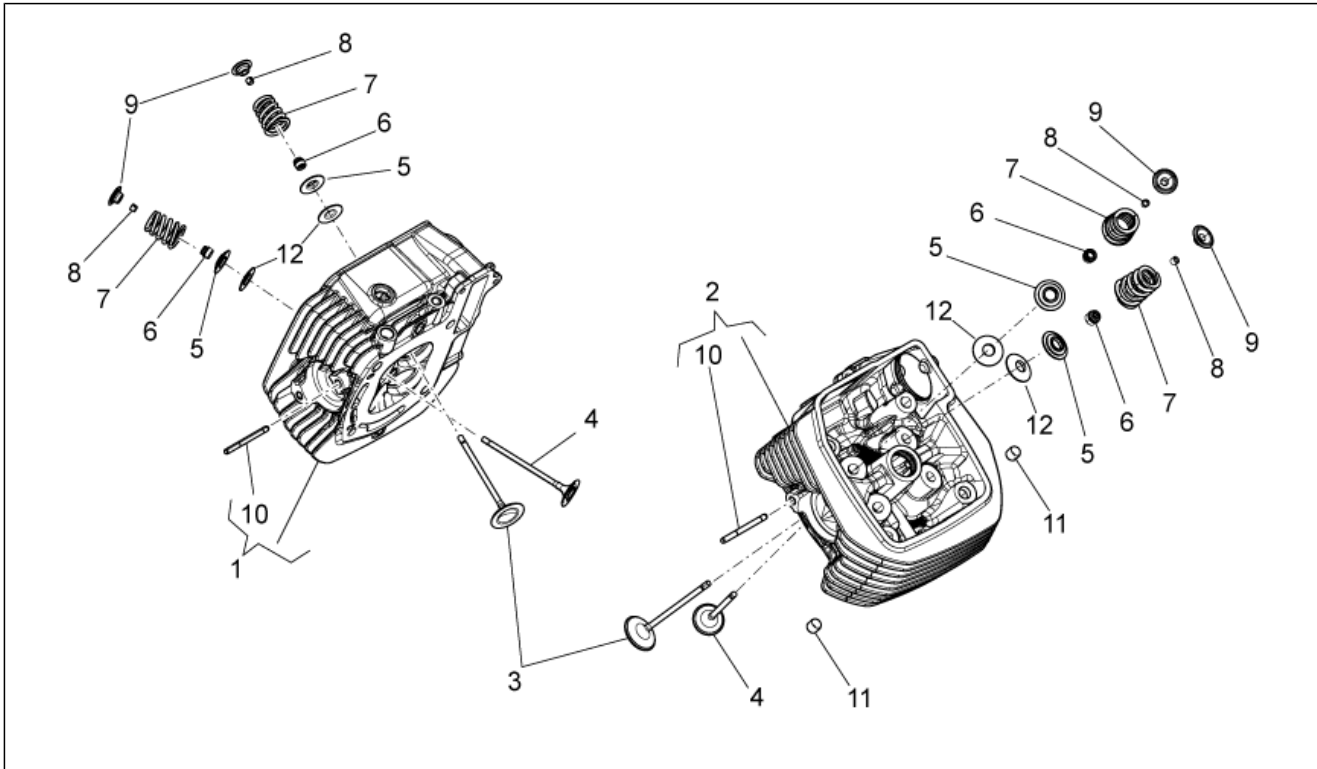
Pos.	Code	Description	Qty	Variants
29	AP8152291	Screw w/ flange	1	
30	976966	Engine cpl.	1	
31	GU12022600	Oil plug	2	
32	GU90706203	O-ring 20,24X2,62	2	
33	874134	Disco recupero olio	1	
34	015935	TBCIC Screw M5x12	3	

<b>Group</b>	ENGINE
<b>Code</b>	34.47
<b>Description</b>	Crank-case II
<b>Service</b>	1



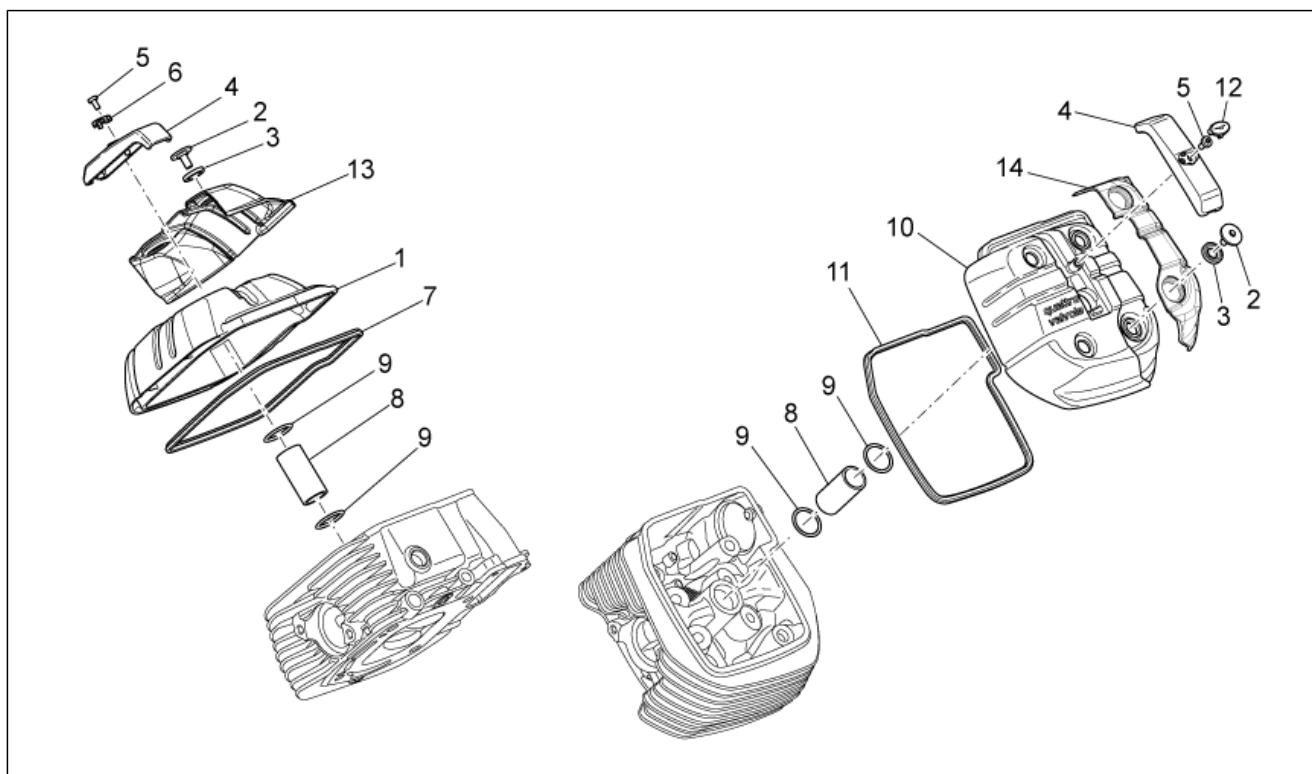
Pos.	Code	Description	Qty	Variants
1	976480	Timing cover black	1	
2	GU90412237	Gasket ring 22x35x7viton	1	
3	GU05002130	Cover	1	
4	825597	Pin 11,8X10	2	
5	976554	Cover	1	
6	GU98682320	Hex socket screw M6x20	2	
7	GU91120607	Bushing 6,4x8,4x10,5	2	
8	GU90706347	O-ring 34,65x1,78viton	1	
9	976478	Cover gasket	1	
10	AP8150046	Hex socket screw M8x55	4	
11	GU98682330	Hex socket screw M6x20	9	
12	GU05001630	Alternator cover grey	1	
13	GU91120606	Bushing 6,8x8,8x5,8	6	
14	GU98682316	Hex socket screw M6x16	5	
15	GU98680335	Hex socket screw M6x35	1	

<b>Group</b>	ENGINE
<b>Code</b>	34.48
<b>Description</b>	Cylinder head - valves
<b>Service</b>	1



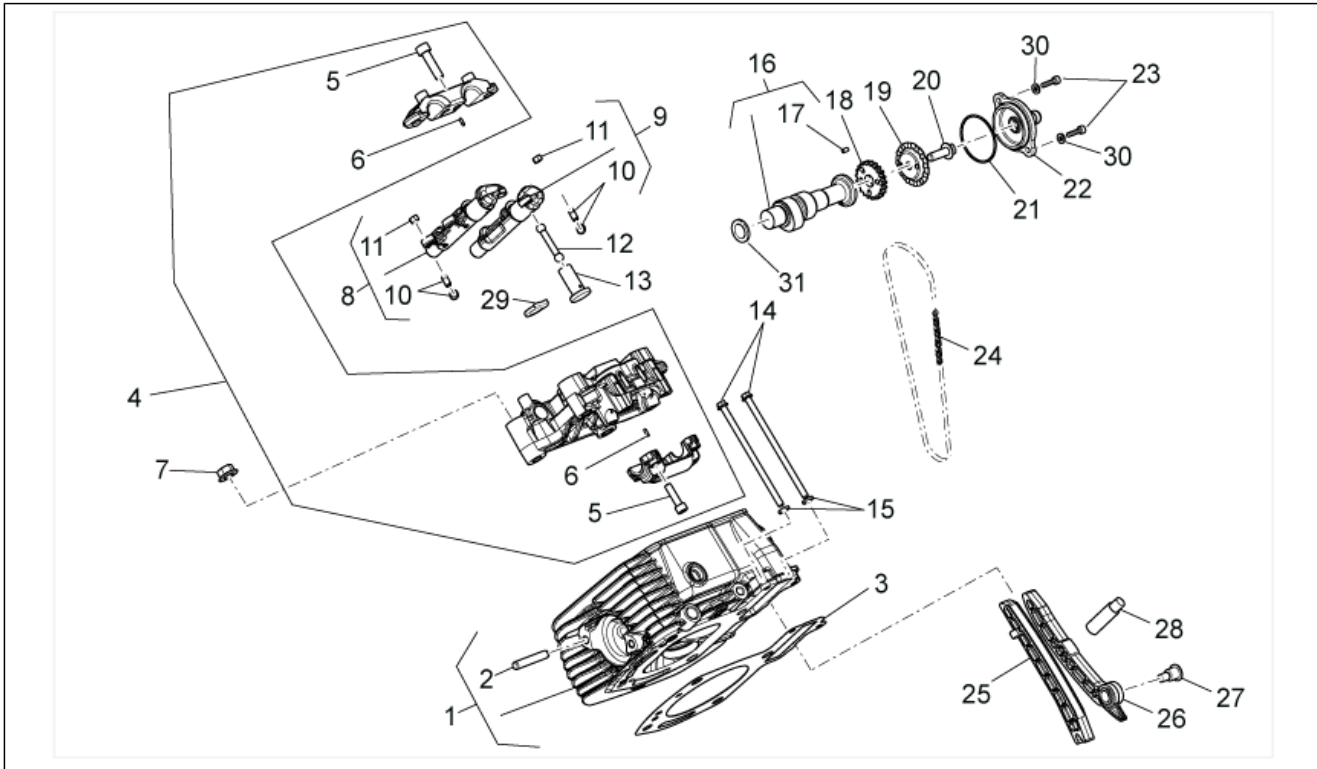
Pos.	Code	Description	Qty	Variants
1	877859	RH cylinder head	1	
2	877849	LH cylinder head	1	
3	872695	Intake valve	4	
4	872696	Exhaust valve	4	
5	874127	Lower cup	8	
6	436438	Valve gasket ring	8	
7	874335	Valve spring	8	
8	285846	Valve half-cone	8	
9	874126	Upper cup	8	
10	827018	Exhaust pipe stud bolt M8X3X46	4	
11	825597	Pin 11,8X10	8	
12	877847	Washer	8	

<b>Group</b>	ENGINE
<b>Code</b>	34.49
<b>Description</b>	Head cover
<b>Service</b>	1



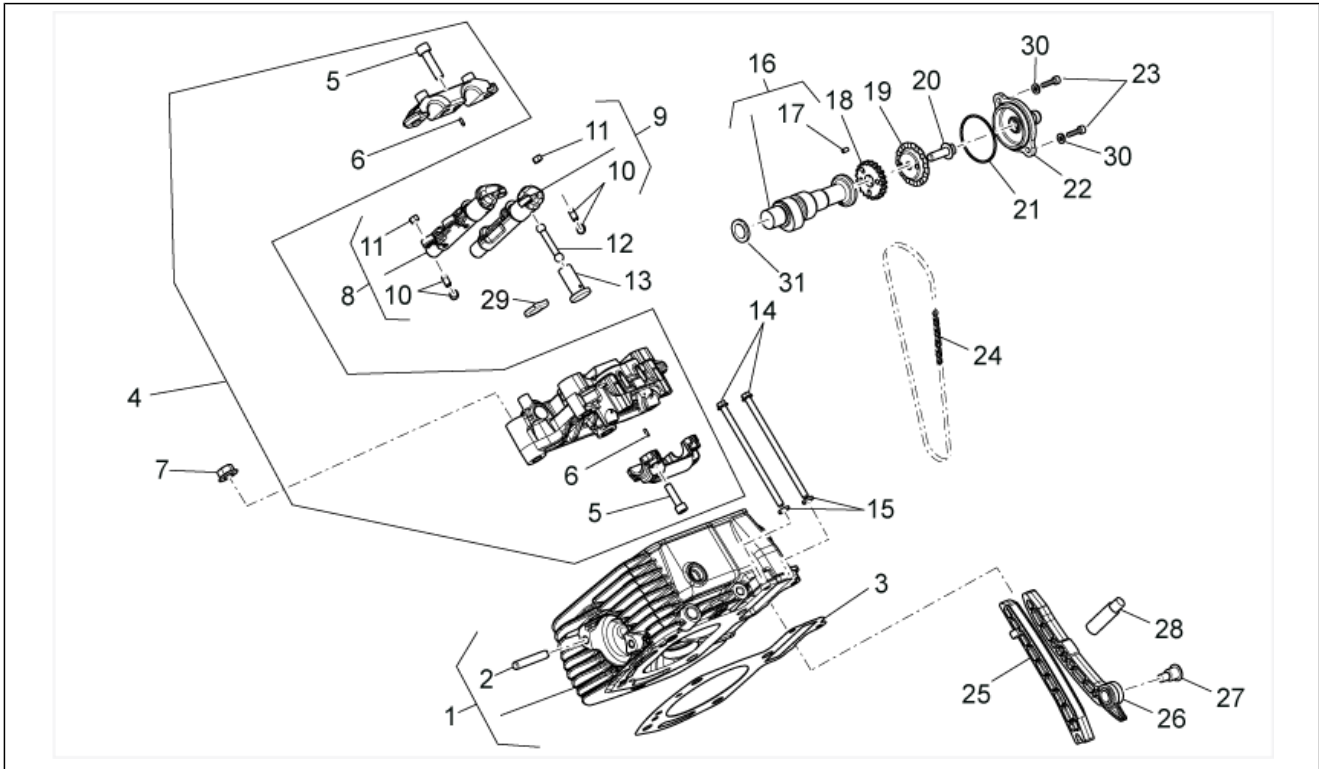
Pos.	Code	Description	Qty	Variants
1	872607	RH Head cover	1	
2	976591	Special screw	8	
3	830249	Damper drift	8	
4	883493	Spark plug cover	2	
5	GU98230510	Hex socket screw	2	
6	976560	RH Name plate "Moto Guzzi"	1	
7	872742	RH gasket	1	
8	873668	Spark plug pipe	2	
9	873626	O-ring 26X2,5	4	
10	872606	LH Head cover	1	
11	872741	LH gasket	1	
12	976559	LH Name plate "Moto Guzzi"	1	
13	873654	RH cover	1	
14	872740	LH cover	1	

<b>Group</b>	ENGINE
<b>Code</b>	34.50
<b>Description</b>	RH cylinder timing system (bowl)
<b>Service</b>	1



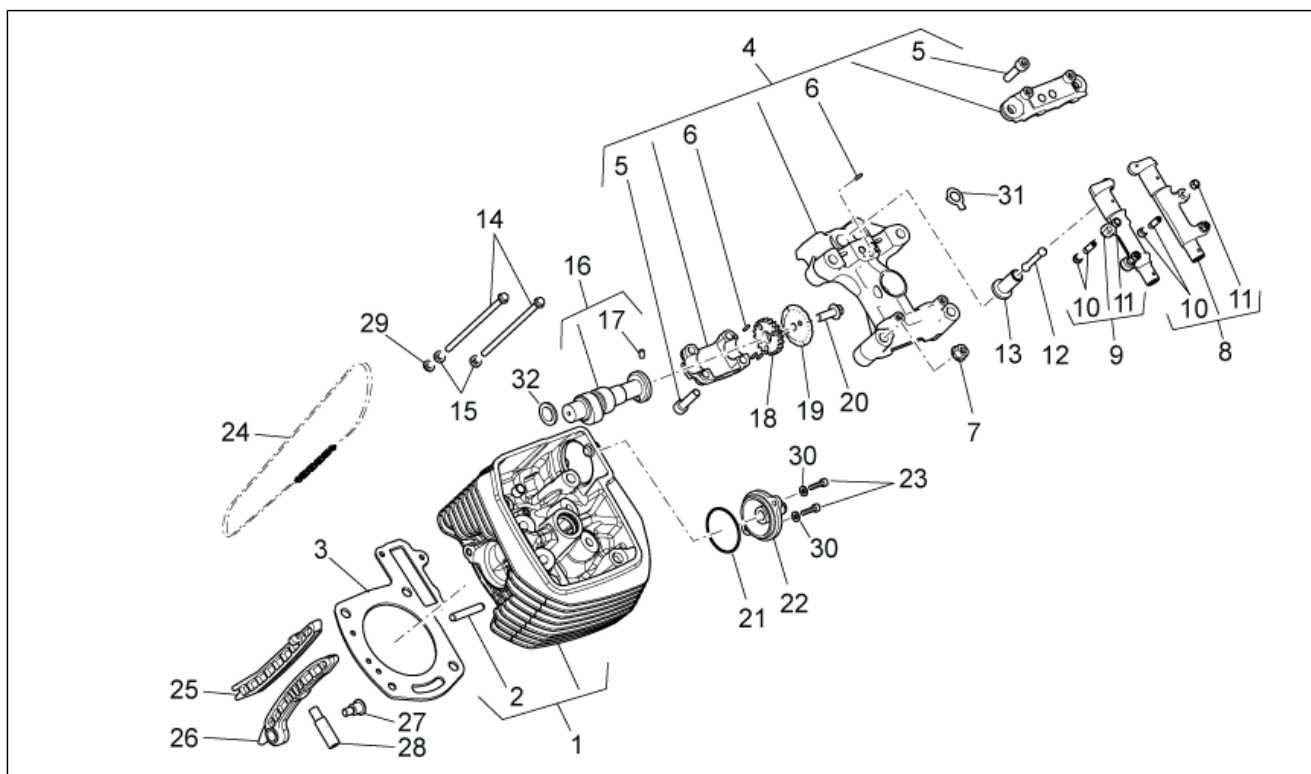
Pos.	Code	Description	Qty	Variants
1	877859	RH cylinder head	1	
2	827018	Exhaust pipe stud bolt M8X3X46	4	
3	874621	Cylinder head gasket 0,65 mm	2	
3	874622	Cylinder head gasket 0,85 mm	2	
3	976311	Cylinder head gasket 1,05 mm	2	
4	873426	RH.Rocker arm support	1	
5	015792	screw M8x30	6	
6	872759	Pin D. 2,5	4	
7	833520	Nut M10X1,25 6H	8	
8	976359	Rocker arm assy.	1	<b>Technical Specifications:</b> Asta comando bilanciere old[OLD]
8	B013603	Bilanciere aspirazione sx scarico dx	1	<b>Technical Specifications:</b> Asta comando bilanciere new[NEW]
9	976360	Rocker arm assy.	1	<b>Technical Specifications:</b> Asta comando bilanciere old[OLD]
9	B013605	Bilanciere aspirazione dx scarico sx	1	<b>Technical Specifications:</b> Asta comando bilanciere new[NEW]
10	873850	Adjuster screw	4	<b>Technical Specifications:</b> Asta comando bilanciere old[OLD]
10	879707	Adjuster screw	4	<b>Technical Specifications:</b> Asta comando bilanciere new[NEW]
11	484819	Nut	4	<b>Technical Specifications:</b> Asta comando bilanciere old[OLD]
11	879916	Rocker arm adjuster nut	4	<b>Technical Specifications:</b> Asta comando bilanciere new[NEW]
12	873631	Rocker arm rod	4	<b>Technical Specifications:</b> Asta comando bilanciere old[OLD]
12	B015681	Rocker arm rod	1	<b>Technical Specifications:</b> Asta comando bilanciere new[NEW]
13	B014603	Bicchierino per punteria	4	
14	487444	Screw w/ flange M6x120	2	
15	976674	Plain washer 12x6,1x2	2	
16	8776384	Camshaft	1	
17	976589	Pin	1	

<b>Group</b>	ENGINE
<b>Code</b>	34.50
<b>Description</b>	RH cylinder timing system (bowl)
<b>Service</b>	1



Pos.	Code	Description	Qty	Variants
18	976350	Timing gear	1	
19	874601	sheet oil breather	1	
20	843060	Screw w/ flange	1	
21	976584	O-ring 44.17X1.78	1	
22	976690	Breather cover cpl.	1	
23	GU98622214	screw	2	
24	976341	Camshaft chain	1	
25	976338	Chain guide plate	1	
26	976337	Chain tensioner sliding block	1	
27	974228	Spacer screw	1	
28	873689	RH chain tensioner	1	
29	874805	Plate	1	
30	GU95129100	Spring washer 5,3X10X0,5	2	
31	CM162701	Spacer 1,06	1	
31	CM162702	Spacer 1,08	1	
31	CM162703	Spacer 1,10	1	
31	CM162704	Spacer 1,12	1	
31	CM162705	Spacer 1,14	1	

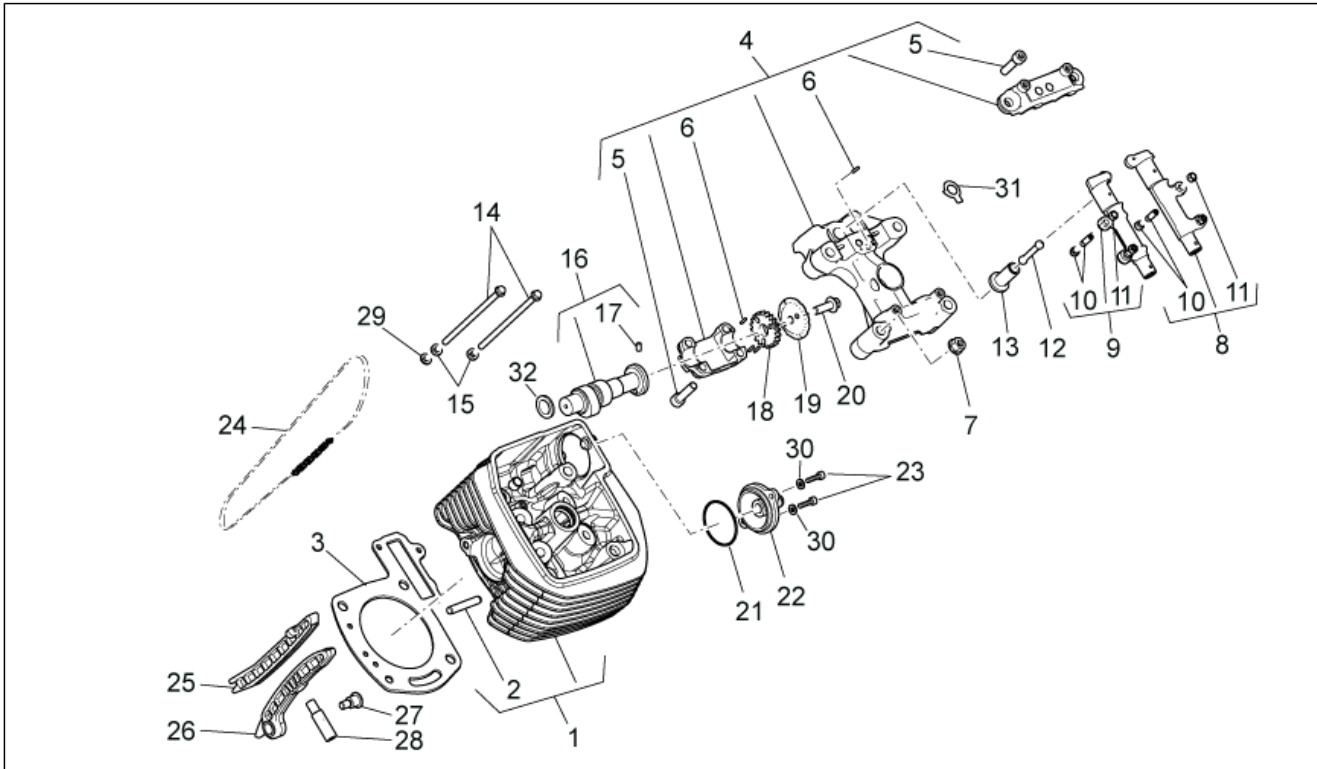
<b>Group</b>	ENGINE
<b>Code</b>	34.51
<b>Description</b>	LH cylinder timing system I
<b>Service</b>	1



Pos.	Code	Description	Qty	Variants
1	877849	LH cylinder head	1	
2	827018	Exhaust pipe stud bolt M8X3X46	4	
3	874621	Cylinder head gasket 0,65 mm	2	
3	874622	Cylinder head gasket 0,85 mm	2	
3	976311	Cylinder head gasket 1,05 mm	2	
4	873425	LH.Rocker arm support	1	
5	015792	screw M8x30	6	
6	872759	Pin D. 2,5	4	
7	833520	Nut M10X1,25 6H	8	
8	976359	Rocker arm assy.	1	<b>Technical Specifications:</b> Asta comando bilanciere old[OLD]
8	B013603	Bilanciere aspirazione sx scarico dx	1	<b>Technical Specifications:</b> Asta comando bilanciere new[NEW]
9	976360	Rocker arm assy.	1	<b>Technical Specifications:</b> Asta comando bilanciere old[OLD]
9	B013605	Bilanciere aspirazione dx scarico sx	1	<b>Technical Specifications:</b> Asta comando bilanciere new[NEW]
10	873850	Adjuster screw	4	<b>Technical Specifications:</b> Asta comando bilanciere old[OLD]
10	879707	Adjuster screw	4	<b>Technical Specifications:</b> Asta comando bilanciere new[NEW]
11	484819	Nut	4	<b>Technical Specifications:</b> Asta comando bilanciere old[OLD]
11	879916	Rocker arm adjuster nut	4	<b>Technical Specifications:</b> Asta comando bilanciere new[NEW]
12	873631	Rocker arm rod	1	<b>Technical Specifications:</b> Asta comando bilanciere old[OLD]
12	B015681	Rocker arm rod	1	<b>Technical Specifications:</b> Asta comando bilanciere new[NEW]
13	B014603	Bicchierino per punteria	4	
14	487444	Screw w/ flange M6x120	2	
15	976674	Plain washer 12x6,1x2	2	
16	8776384	Camshaft	1	
17	976589	Pin	1	

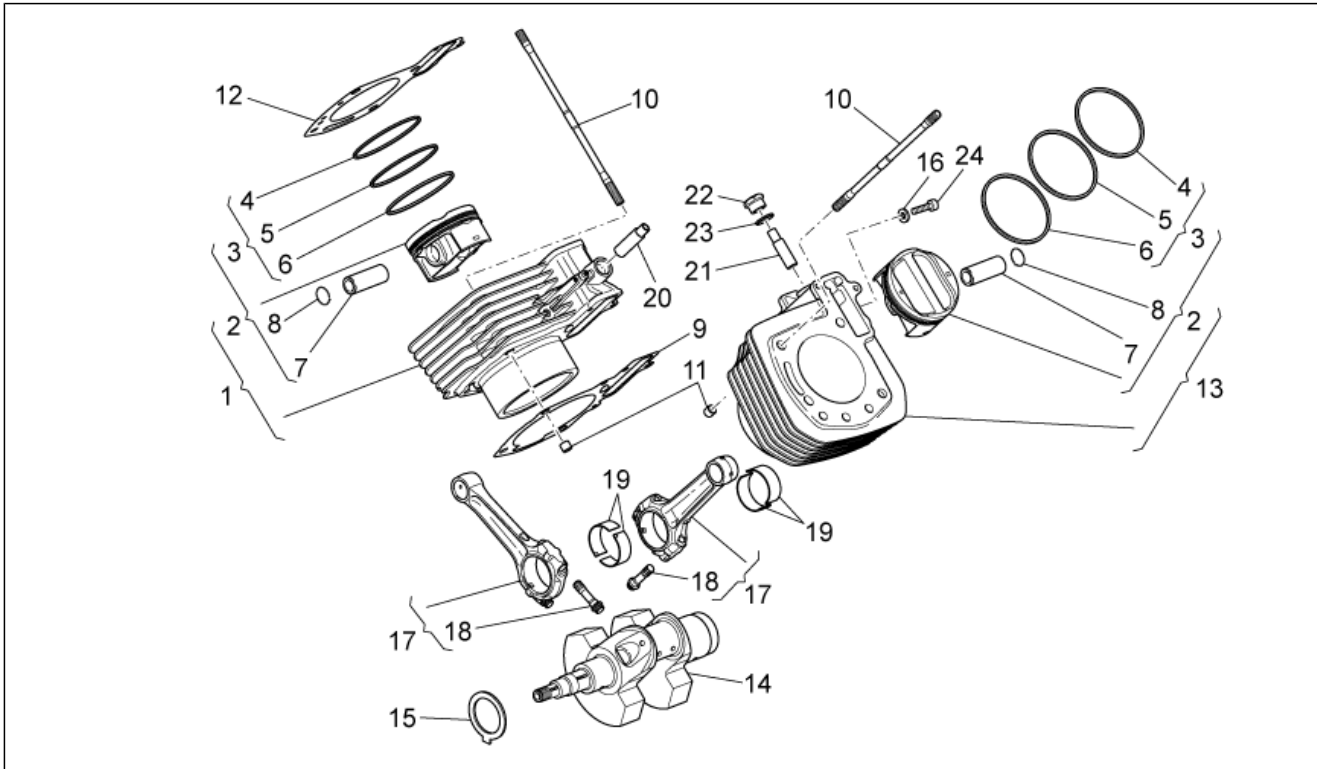


<b>Group</b>	ENGINE
<b>Code</b>	34.51
<b>Description</b>	LH cylinder timing system I
<b>Service</b>	1



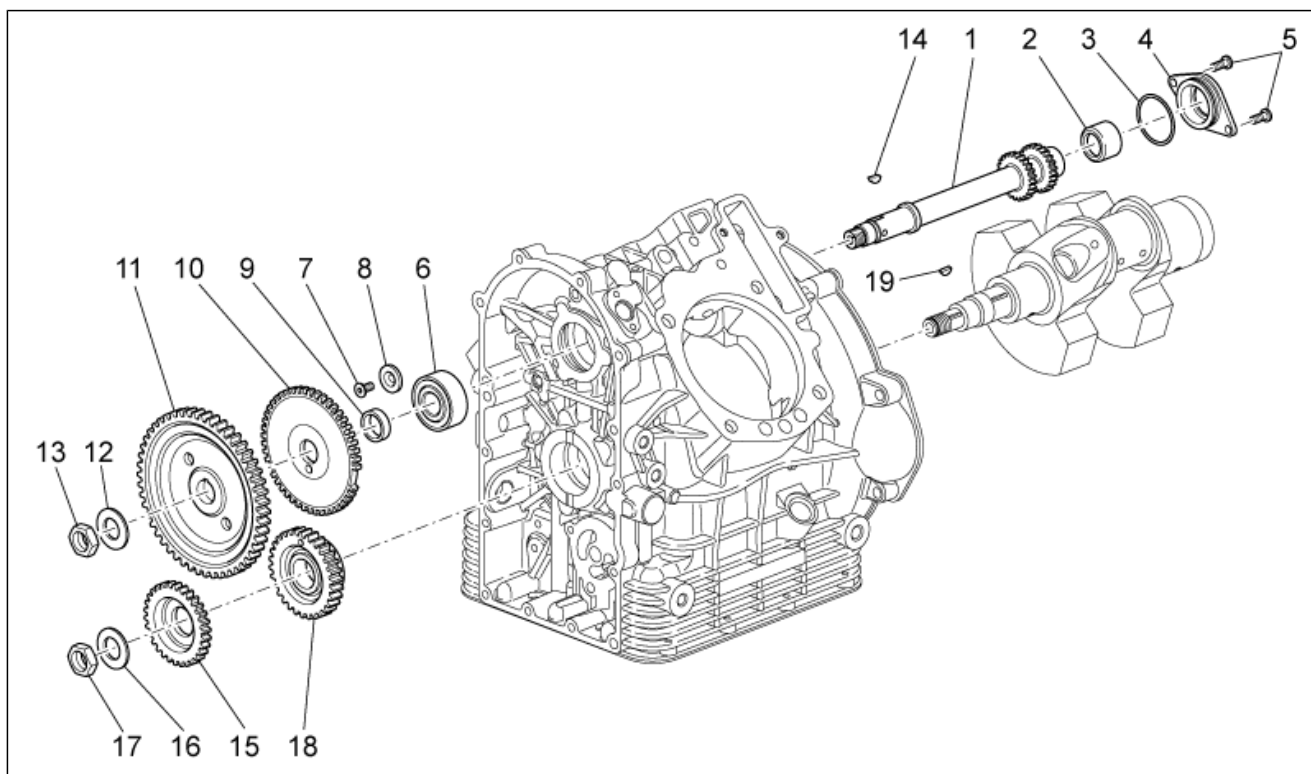
Pos.	Code	Description	Qty	Variants
18	976350	Timing gear	1	
19	874601	sheet oil breather	1	
20	843060	Screw w/ flange	1	
21	976584	O-ring 44.17X1.78	1	
22	976690	Breather cover cpl.	1	
23	GU98622214	screw	2	
24	976341	Camshaft chain	1	
25	976338	Chain guide plate	1	
26	976337	Chain tensioner sliding block	1	
27	974228	Spacer screw	1	
28	873690	LH chain tensioner	1	
29	244585	Spacer	1	
30	GU95129100	Spring washer 5,3X10X0,5	2	
31	874805	Plate	1	
32	CM162701	Spacer 1,06	1	
32	CM162702	Spacer 1,08	1	
32	CM162703	Spacer 1,10	1	
32	CM162704	Spacer 1,12	1	
32	CM162705	Spacer 1,14	1	

<b>Group</b>	ENGINE
<b>Code</b>	34.52
<b>Description</b>	Drive shaft - Cylinder
<b>Service</b>	1



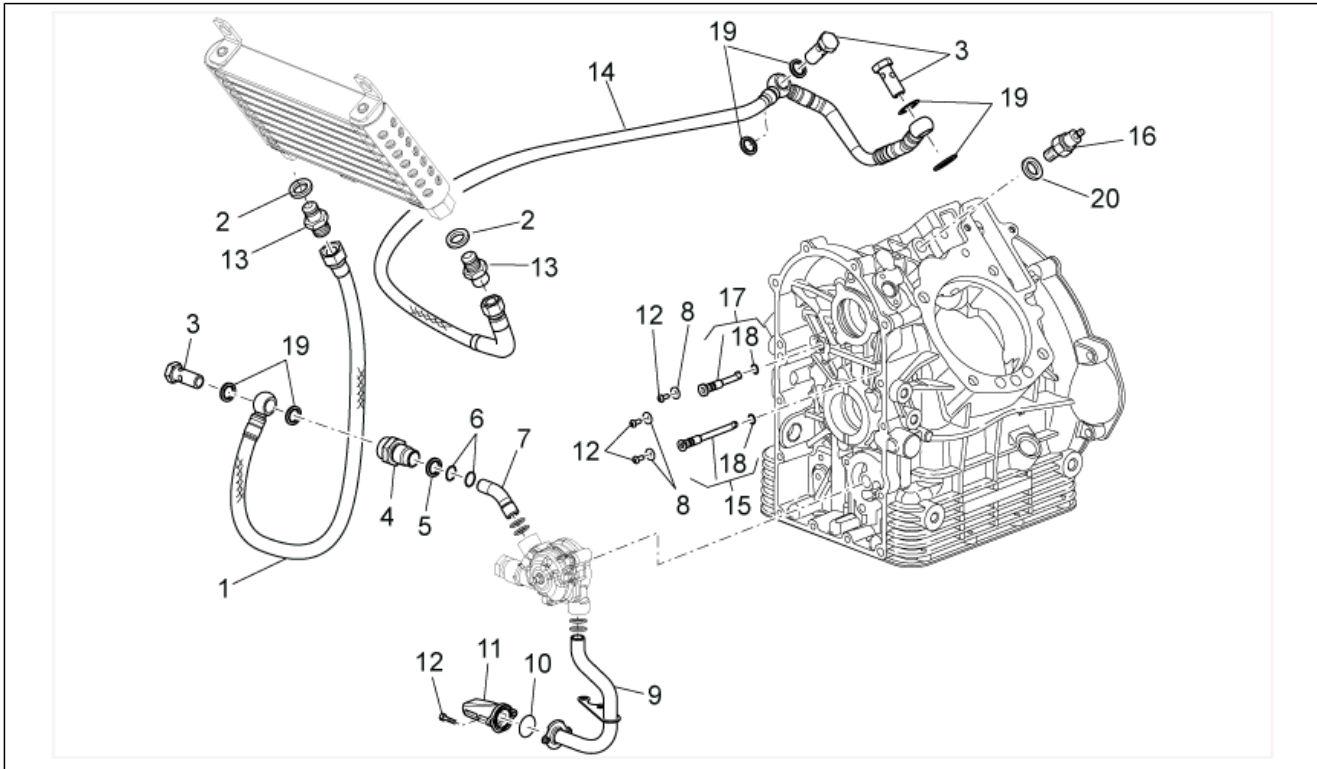
Pos.	Code	Description	Qty	Variants
1	981008	Cylinder with piston assy., RH	1	
2	873667	Piston D95 cpl	2	
3	981009	Pistonring set	2	
4	874287	Piston ring	2	
5	874288	Piston ring	2	
6	874289	Piston ring	2	
7	874286	Piston pin	2	
8	874567	Stop ring	4	
9	976312	Cylinder base gasket	2	
10	878275	Stud bolt	8	
11	825597	Pin 11,8X10	4	
12	874621	Cylinder head gasket 0,65 mm	2	
12	874622	Cylinder head gasket 0,85 mm	2	
12	976311	Cylinder head gasket 1,05 mm	2	
13	981007	Cylinder with piston assy., LH	1	
14	8762874	Crankshaft cpl.	1	
15	874293	Thrust washer	1	
16	GU95100116	Washer 6,25x10x1,5	1	
17	976006	Connecting rod cpl.	2	
18	849131	Connecting rod screw	4	
19	875243	Bearing half-shell 1,535-1,540	4	Technical Specifications:Red sign[RS]
19	875244	Bearing half-shell 1,539-1,544	4	Technical Specifications:Blue sign[BS]
20	873689	RH chain tensioner	1	
21	873690	LH chain tensioner	1	
22	976342	Chain tension.plug	2	
23	849866	Washer	2	
24	GU98350310	Hex socket screw M6x20	1	

<b>Group</b>	ENGINE
<b>Code</b>	34.53
<b>Description</b>	Timing system
<b>Service</b>	1



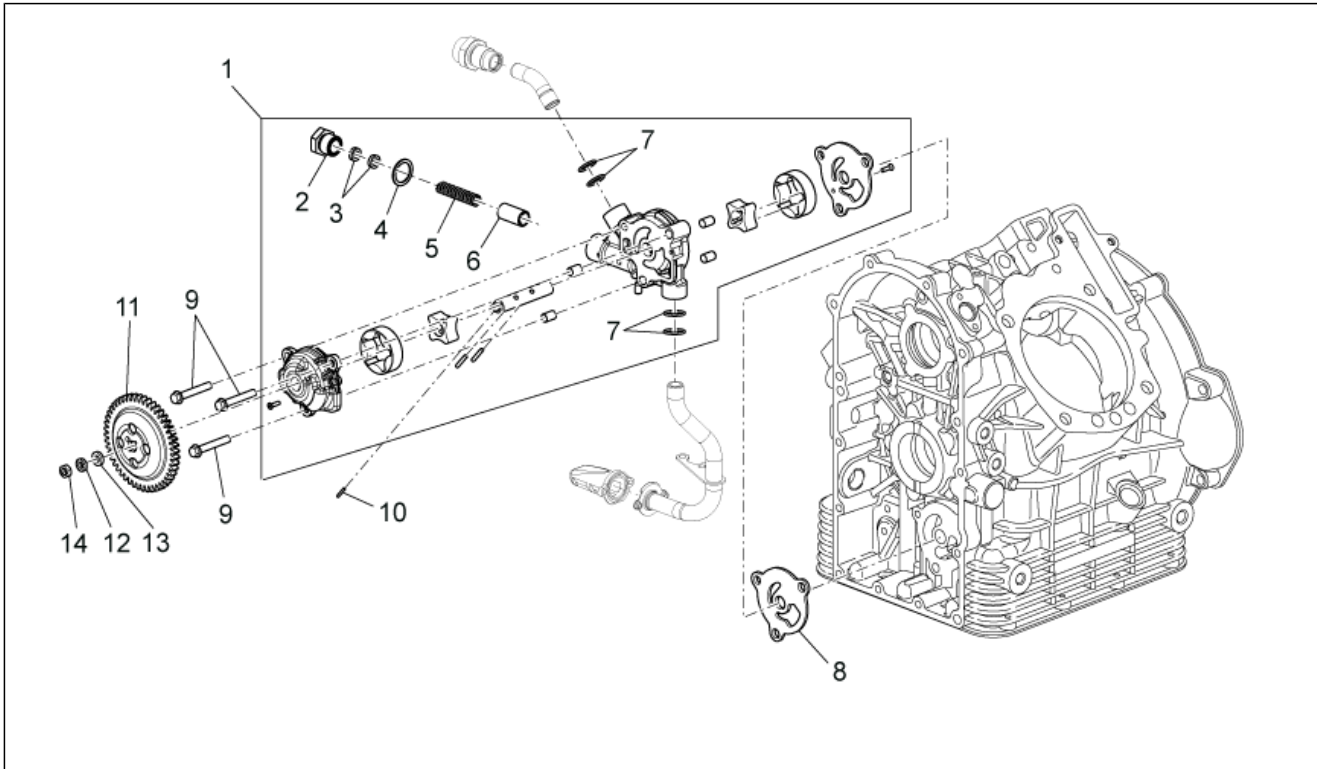
Pos.	Code	Description	Qty	Variants
1	976330	Timing system	1	
2	976381	Roller cage 25x32x12	1	
3	976488	O-ring 37,82x1,78	1	
4	976331	Flange	1	
5	GU98350315	Hex socket screw M6x14	2	
6	976355	Ball bearing 20x47x18	1	
7	AP8152166	screw M6x16	1	
8	873928	Washer	1	
9	976334	Spacer	1	
10	976538	Wheel speed sensor, left front	1	
11	874281	Timing system gear	1	
12	GU14433400	Spring washer 19x34x1,5	1	
13	829232	Nut M18x1,5	1	
14	GU91600450	Transmission key	1	
15	874799	Drive gear	1	
16	976665	Belleville spring	1	
17	976649	Nut M25x1,5	1	
18	874280	Drive gear	1	
19	GU91600365	Transmission key 3x6,5	1	

<b>Group</b>	ENGINE
<b>Code</b>	34.54
<b>Description</b>	Lubrication
<b>Service</b>	1



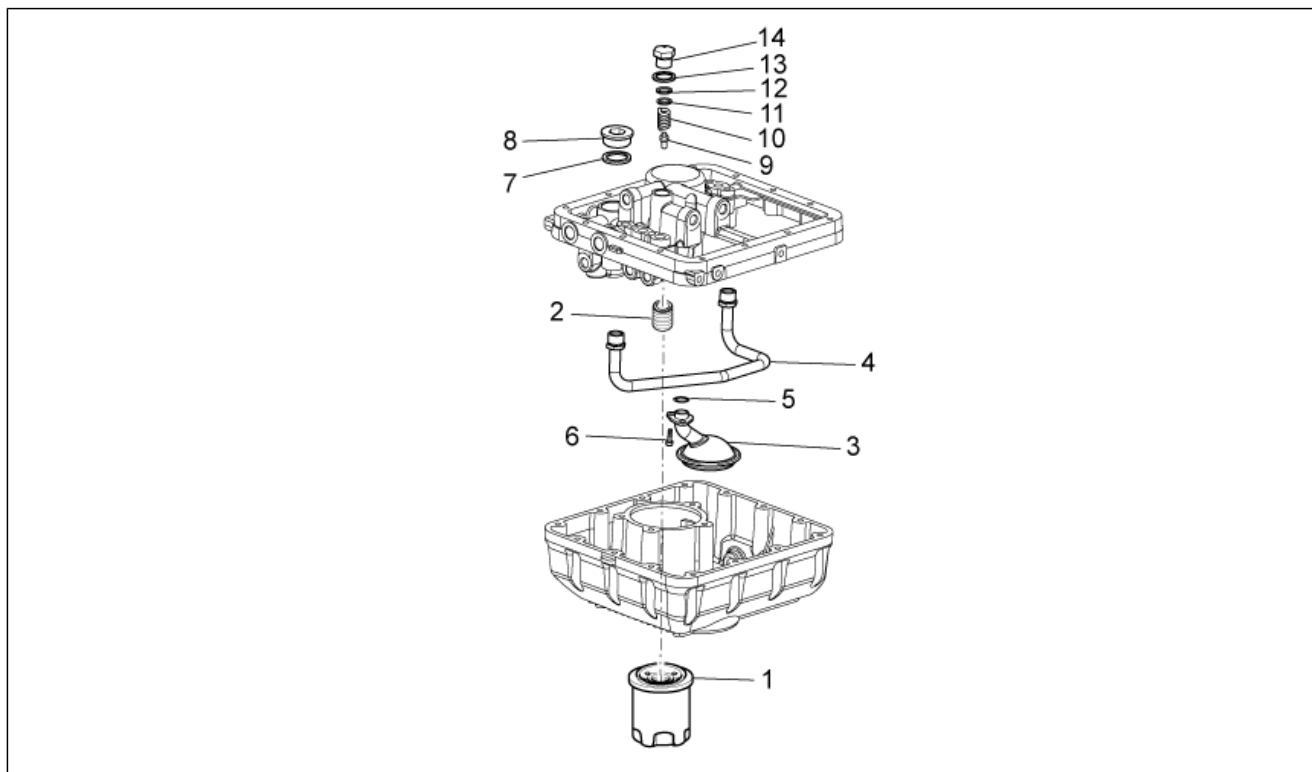
Pos.	Code	Description	Qty	Variants
1	978895	Pipe	1	
2	GU01154230	Gasket	2	
3	874223	Bored screw	3	
4	874669	Nipple	1	
5	976569	Gasket	1	
6	434947	O-ring 12,42x1	2	
7	874646	Oil pipe	1	
8	013763	Flat washer 4,2x12x1	3	
9	874645	Intake pipe	1	
10	969323	O-ring	1	
11	874655	Intake oil filter	1	
12	581957	Hex socket screw	5	
13	GU01161331	Reduction	2	
14	976625	Pipe	1	
15	976680	LH Nozzle	1	
16	978854	Pressure sensor	1	
17	976681	RH Nozzle	1	
18	874238	O-ring	4	
19	168077	Copper gasket	6	
20	GU12006400	Gasket 12,25	1	

<b>Group</b>	ENGINE
<b>Code</b>	34.55
<b>Description</b>	Oil pump
<b>Service</b>	1



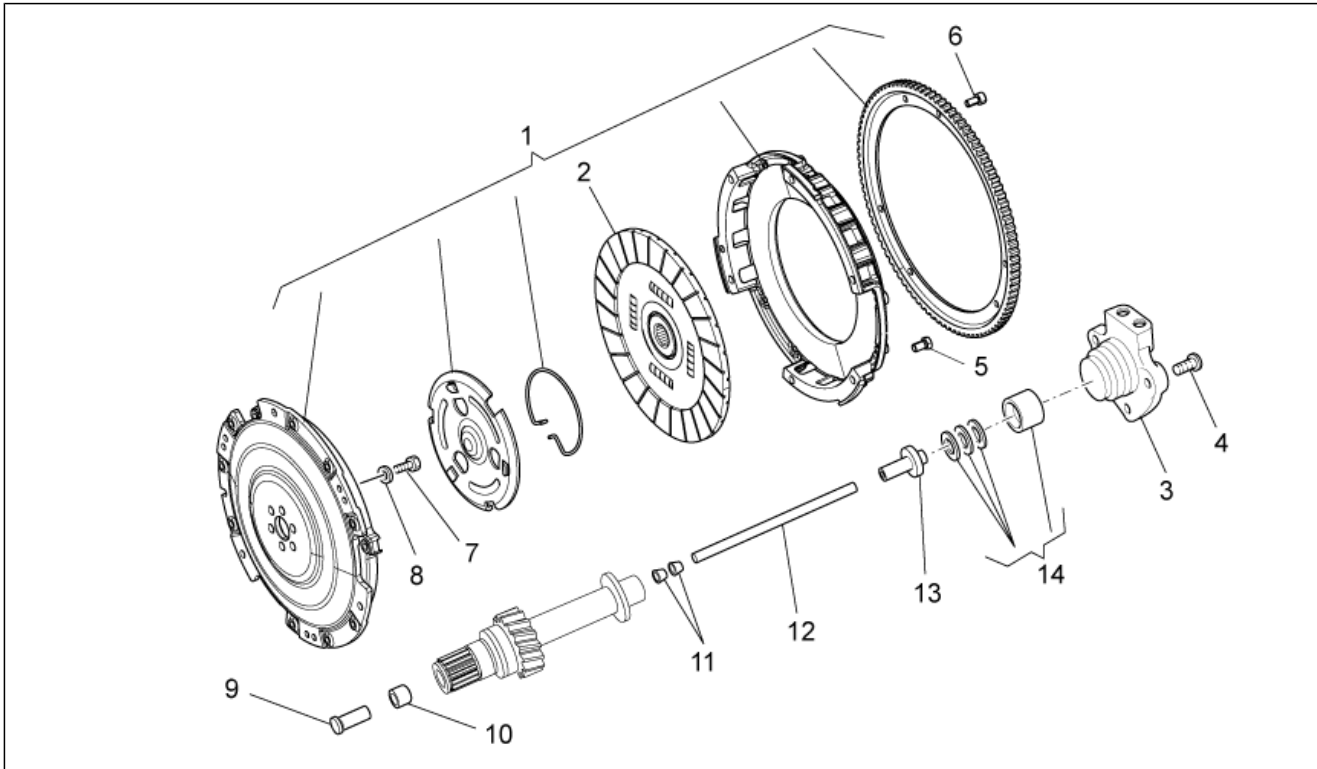
Pos.	Code	Description	Qty	Variants
1	874650	Oil pump assy.	1	
2	GU31159050	Cover	1	
3	GU30158900	Washer	2	
4	GU18144350	Washer 18,25x24x1	1	
5	829486	Spring	1	
6	829661	Oil pressure valve	1	
7	237553	O-ring	4	
8	874482	Gasket	1	
9	414835	screw	3	
10	874801	Pin 2x13,8	1	
11	874616	Oil pump gear	1	
12	GU03013800	Washer 6,4x12	1	
13	GU95005306	Washer 6,4x13x1,5	1	
14	873906	Low nut	1	

<b>Group</b>	ENGINE
<b>Code</b>	34.56
<b>Description</b>	Oil filters
<b>Service</b>	1



Pos.	Code	Description	Qty	Variants
1	GU30153000	Oil filter	1	
2	829122	Oil filter union	1	
3	GU05152230	Oil filter	1	
4	GU05005730	pipe	1	
5	GU90706151	O-ring 15,08x2,62viton	1	
6	877820	Hex socket screw M6x18	2	
7	976636	Copper gasket	1	
8	976635	Cover	1	
9	GU30150900	Piston	1	
10	GU94321077	Spring	1	
11	GU95008206	Washer 6,15x11x0,8	2	
12	GU30158900	Washer	1	
13	GU18144350	Washer 18,25x24x1	1	
14	GU31159050	Cover	1	

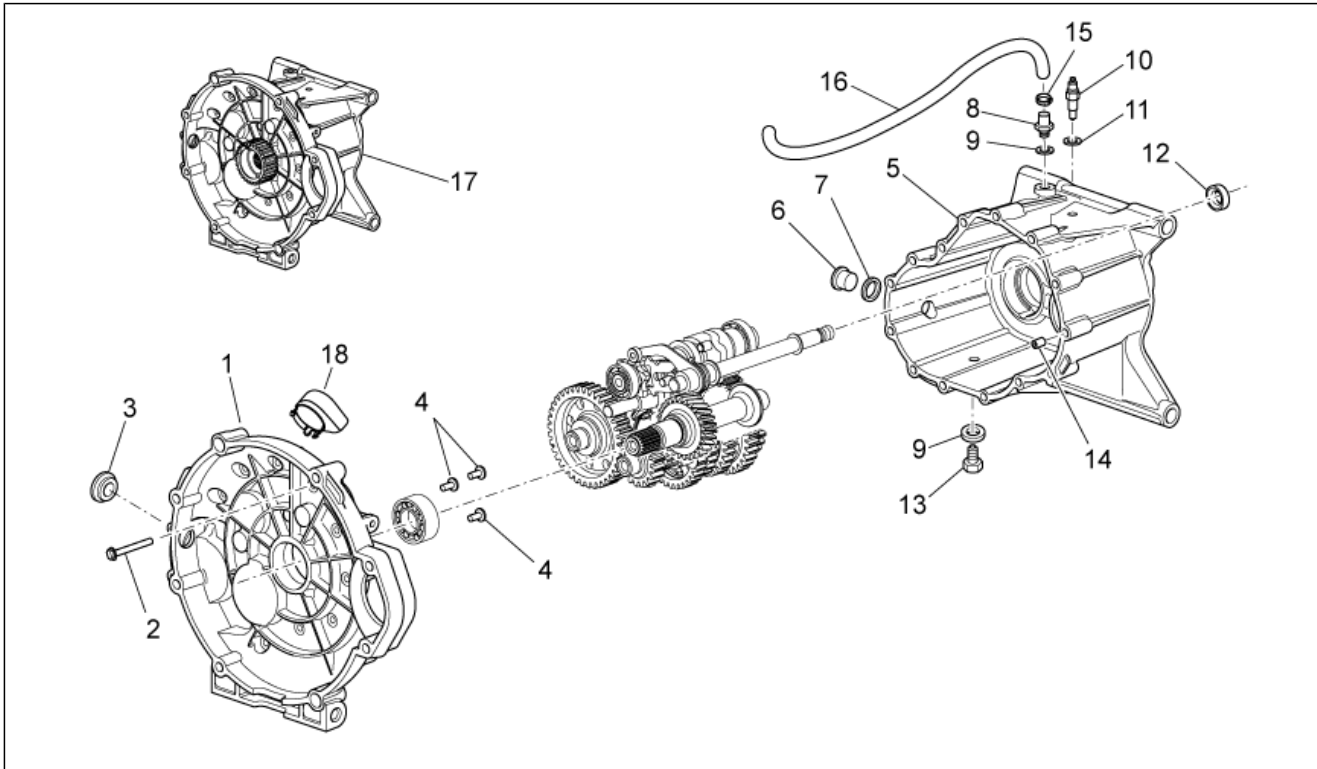
<b>Group</b>	ENGINE
<b>Code</b>	34.57
<b>Description</b>	Clutch
<b>Service</b>	1



Pos.	Code	Description	Qty	Variants
1	976695	Clutch cpl.	1	
2	976053	Clutch disc	1	
3	978739	Clutch command cylinder	1	
4	598839	Screw w/ flange	3	
5	976535	Hex socket screw M7x16	6	
6	GU98230612	screw	6	
7	976481	Screw w/ flange M8x25	6	
8	976484	Conical spring washer 8,2X15	6	
9	976563	Clutch drive tapped	1	
10	976564	Bushing	1	
11	GU14085900	Bush	2	
12	976593	Rod L=mm183	1	<b>Technical Specifications:</b> An identification cut[1T]
12	976594	Rod L=mm184,5	1	<b>Technical Specifications:</b> Two identification cuts[2T]
12	976595	Rod L=mm186	1	<b>Technical Specifications:</b> Three identification cuts[3T]
12	976596	Rod L=mm187,5	1	<b>Technical Specifications:</b> Four identification cuts[4T]
13	GU14086000	Inner body	1	
14	976696	Engine bearing set	1	

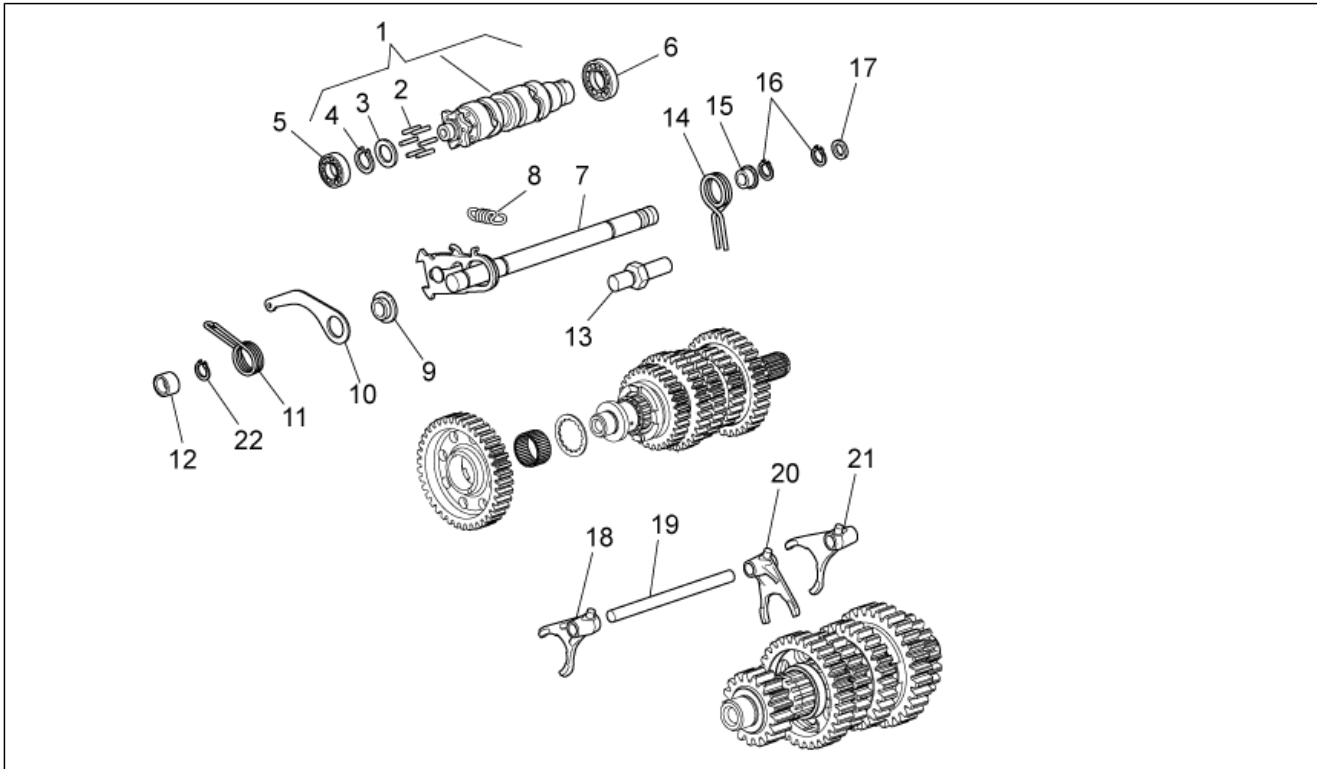


<b>Group</b>	ENGINE
<b>Code</b>	34.58
<b>Description</b>	Transmission cage
<b>Service</b>	1



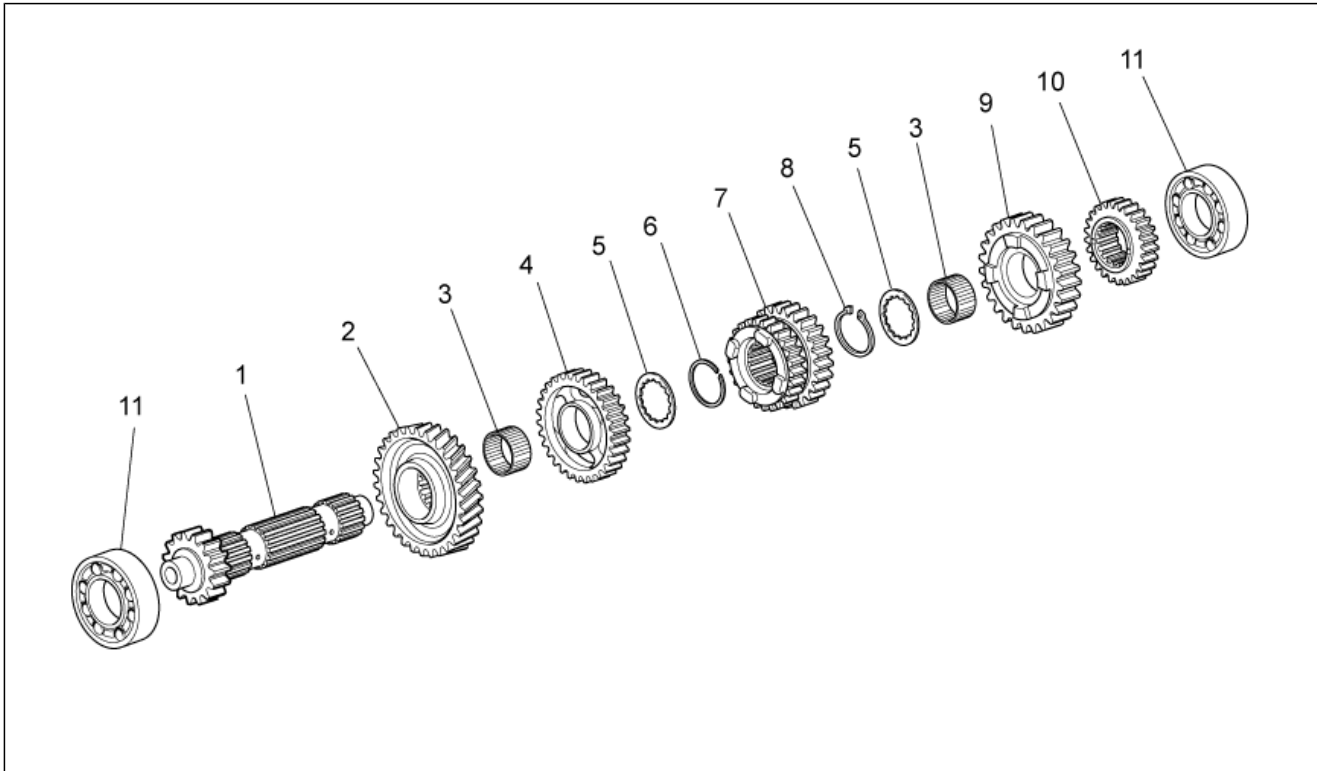
Pos.	Code	Description	Qty	Variants
1	976453	Clutch drum nero	1	
2	GU97202355	Screw w/ flange M6x55	14	
3	GU93180220	Cover	1	
4	GU98370616	Hex socket screw M6x16 inox	3	
5	976565	Gearbox black	1	
6	GU95980319	Oil plug M18x1,5	1	
7	GU18144350	Washer 18,25x24x1	1	
8	GU05204930	Breather plug	1	
9	GU01528930	Gasket 10x18x1,5	2	
10	GU19207220	Sensor	1	
11	B063025	Guarnizione 8,7x14,2x1,3	1	
12	GU90401424	Gasket ring 14x24x7	1	
13	GU31003766	Oil unload plug M10x1	1	
14	GU19002020	Bushing 6,6x9x13	2	
15	AP8101595	Hose clamp D10,1	1	
16	AP8120952	Fuel pipe 5,5x10	1	
17	976934	Gear box assy	1	
18	976687	Cooling pipes	1	

<b>Group</b>	ENGINE
<b>Code</b>	34.59
<b>Description</b>	Gear box selector
<b>Service</b>	1



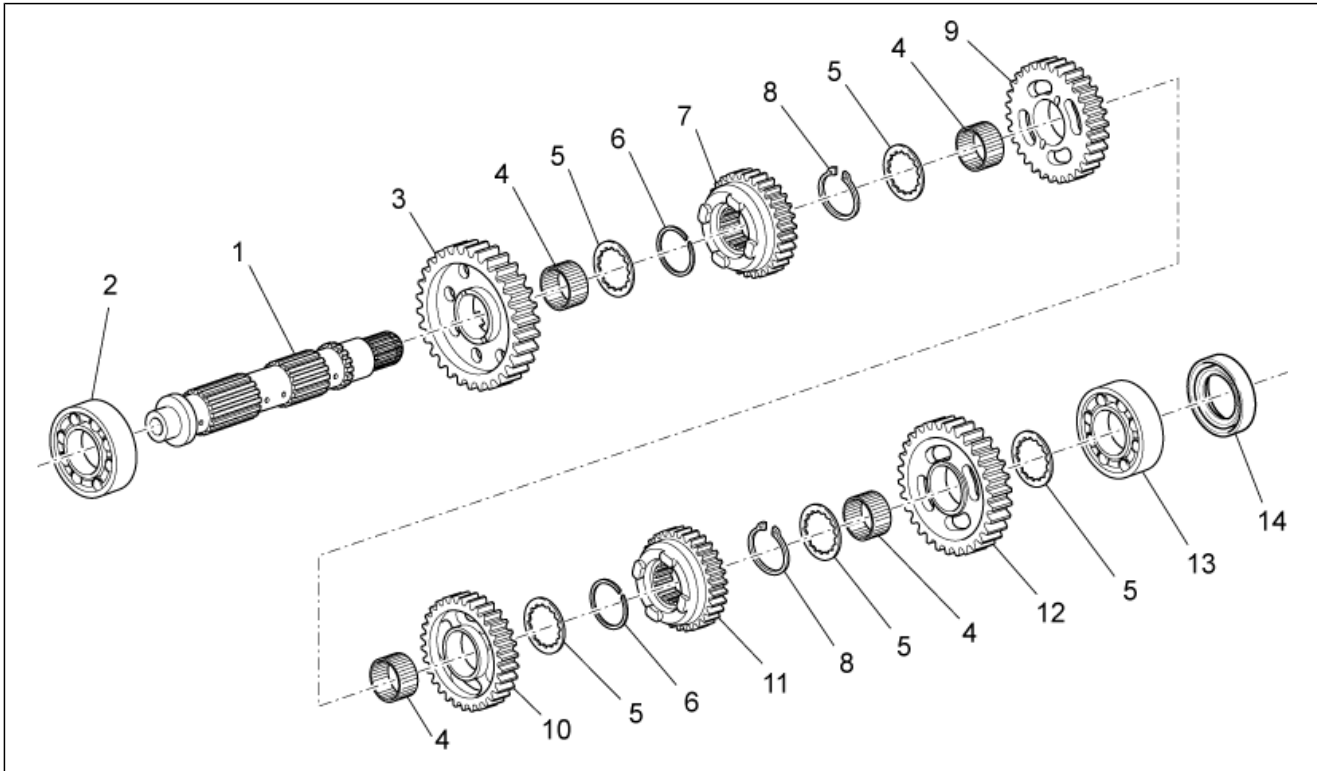
Pos.	Code	Description	Qty	Variants
1	GU05234431	Shift cam cpl.	1	
2	GU05234631	Pin	6	
3	GU05235531	Spacer	1	
4	GU90271022	Circlip	1	
5	GU92201117	Ball bearing 17x35x10	1	
6	GU92201025	Ball bearing 25x42x9	1	
7	GU05236231	Preselection complete	1	
8	GU05238231	Spring	1	
9	GU05238431	Bushing	1	
10	GU05234731	Lever Index	1	
11	GU05234130	Spring	1	
12	GU05234230	Spacer	1	
13	GU05234931	Fixing pin	1	
14	GU05238331	Spring	1	
15	GU05238131	Spacer	1	
16	GU90271014	Circlip	2	
17	GU05239330	Fifth wheel	1	
18	GU05230531	Fork 1a-3a	1	
19	GU05232431	Fork shaft	1	
20	GU05232631	Fork 5a-6a	1	
21	GU05230831	Fork 2a-4a	1	
22	GU90353014	Circlip	1	

<b>Group</b>	ENGINE
<b>Code</b>	34.60
<b>Description</b>	Primary gear shaft
<b>Service</b>	1



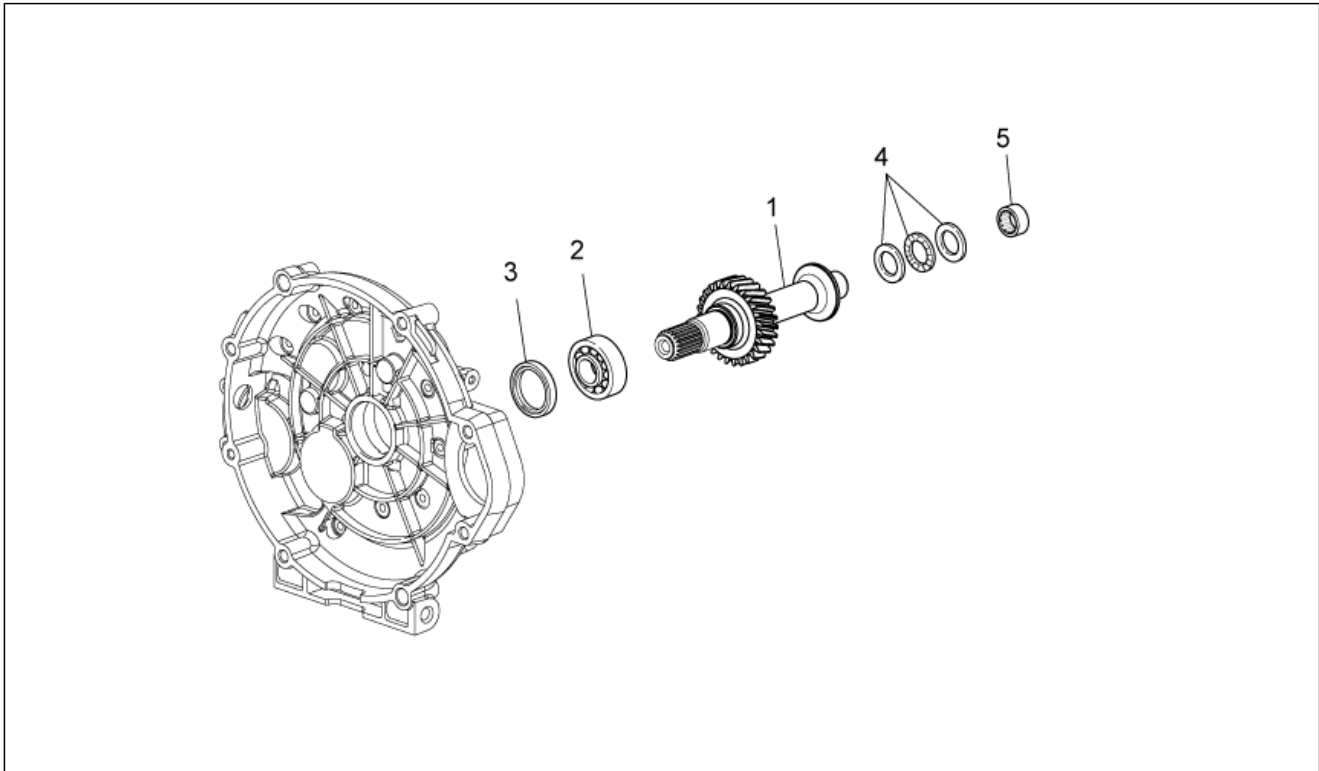
Pos.	Code	Description	Qty	Variants
1	GU05210631	Primary gear shaft Z=17	1	
2	GU05215631	Drive gears Z=35	1	
3	GU92252029	Roller cage 26x30x15,6	2	
4	GU05212031	Gear 5a Z=31	1	
5	GU05214630	Clearance washer	2	
6	GU90271230	Snap ring 30x1,25W	1	
7	GU05211431	Gear 3a-4a Z=23-26	1	
8	GU90271030	Snap ring 30x27,9	1	
9	GU05212631	Gear 6a Z=29	1	
10	GU05211331	Gear 2a Z=20	1	
11	GU92201822	Ball bearing 20x52x15	2	

<b>Group</b>	ENGINE
<b>Code</b>	34.61
<b>Description</b>	Driven shaft
<b>Service</b>	1



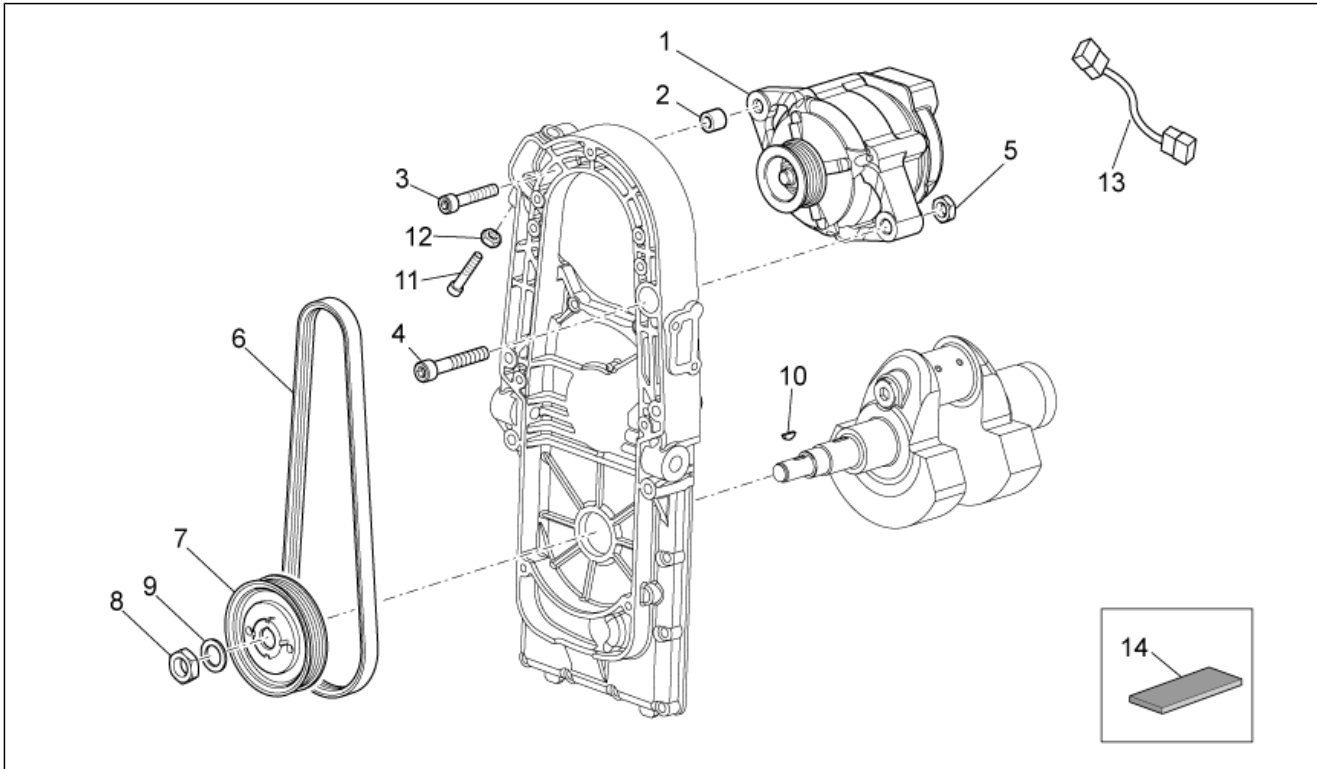
Pos.	Code	Description	Qty	Variants
1	GU05213631	Driven shaft	1	
2	GU92201822	Ball bearing 20x52x15	1	
3	GU05214231	Gear 1a Z=38	1	
4	GU92252029	Roller cage 26x30x15,6	4	
5	GU05214630	Clearance washer	5	
6	GU90271230	Snap ring 30x1,2SW	2	
7	GU05214031	Gear 5a Z=30	1	
8	GU90271030	Snap ring 30x27,9	2	
9	GU05214731	Gear 3a Z=31	1	
10	GU05215031	Gear 4a Z=29	1	
11	GU05220531	Gear 6a Z=25	1	
12	GU05214431	Gear 2a Z=34	1	
13	GU92201226	Ball bearing 25x52x15	1	
14	GU90412541	Gasket ring 25X40X7	1	

<b>Group</b>	ENGINE
<b>Code</b>	34.62
<b>Description</b>	Clutch shaft
<b>Service</b>	1



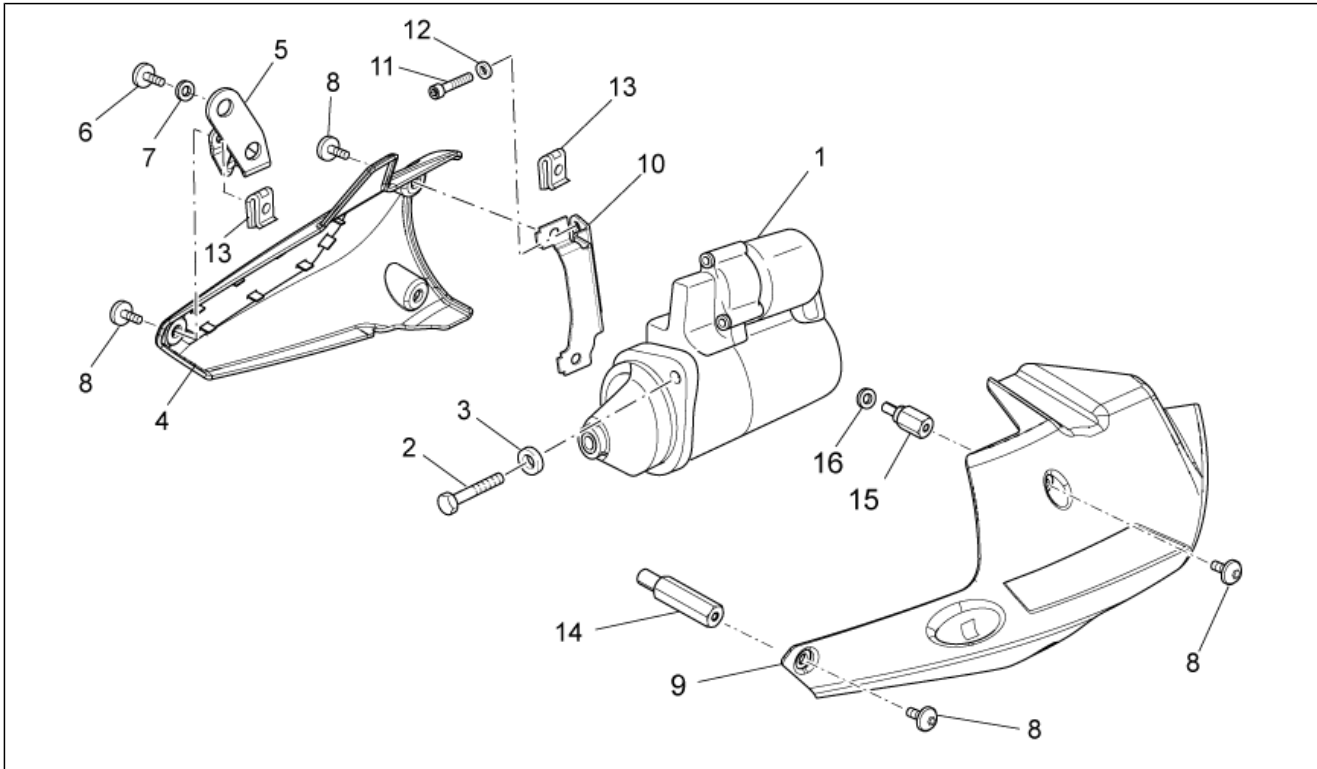
Pos.	Code	Description	Qty	Variants
1	976351	Clutch shaft Z=26	1	
2	GU92201226	Ball bearing 25x52x15	1	
3	976533	Gasket ring 25x47x7	1	
4	976532	Thrust bearing	1	
5	GU92232028	Roller bearing 20x28x13	1	

<b>Group</b>	ENGINE
<b>Code</b>	34.63
<b>Description</b>	Current generator
<b>Service</b>	1



Pos.	Code	Description	Qty	Variants
1	976678	Generator	1	
2	GU91180823	Spacer 8,5x17x13	1	
3	GU98620445	Hex socket screw M8x45	1	
4	GU98620560	Hex socket screw M10x60	1	
5	GU92660012	Nut M10X1,5	1	
6	GU05702530	Belt	1	
7	GU05701430	Generator lever pulley	1	
8	GU92606516	Nut M16	1	
9	GU30714201	Washer 16,25x24,5x5	1	
10	GU4FAN000030	Flywheel magneto key	1	
11	GU98230850	Hex socket screw M8x50	1	
12	GU92605408	Nut M8x1,25	1	
13	883220	Adaptor	1	
14	883127	Support rubber part 5mm	1	

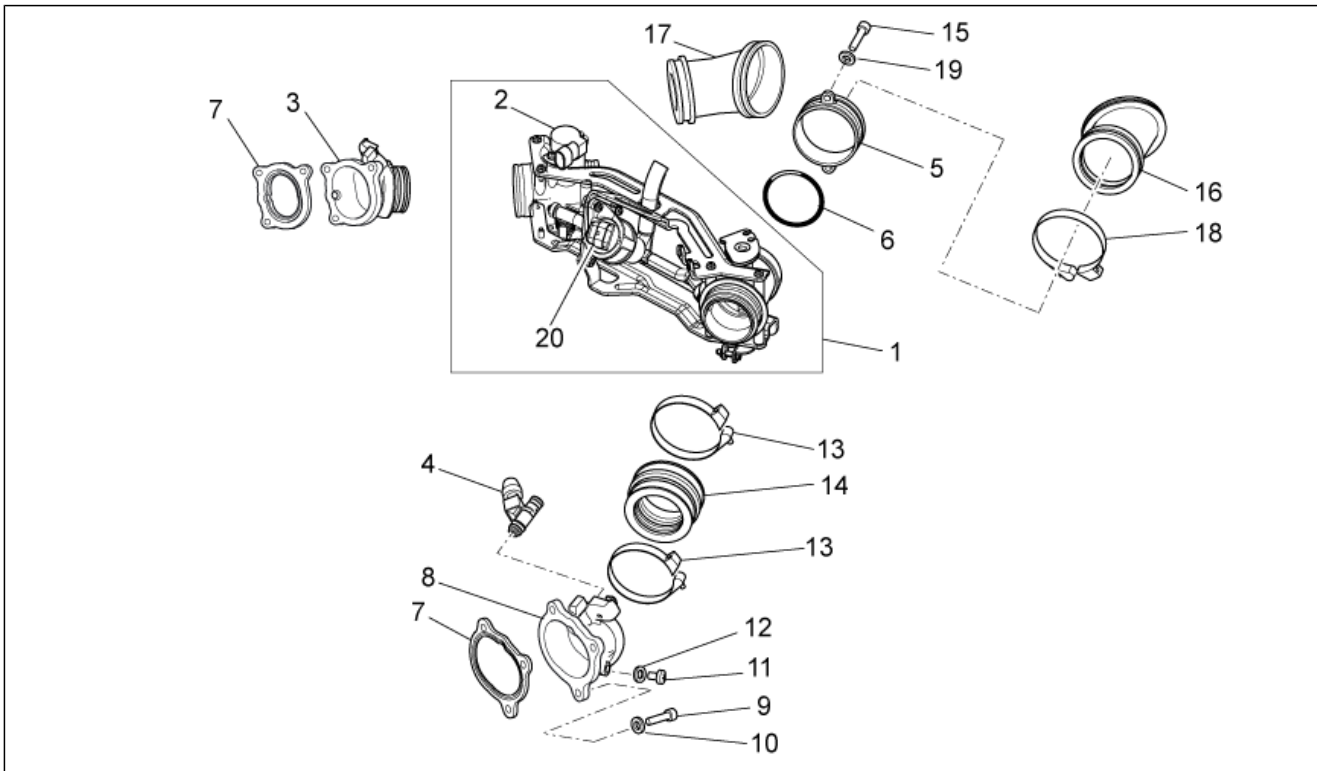
<b>Group</b>	ENGINE
<b>Code</b>	34.64
<b>Description</b>	Starter motor
<b>Service</b>	1



Pos.	Code	Description	Qty	Variants
1	GU05730730	Starter motor Bosch	1	
2	GU98082475	Hex screw M8x75	2	
3	GU95008208	Washer 8,4X15X1,5	2	
4	978852	RH engine cover	1	
5	978616	RH support	1	
6	GU98371020	Hex socket screw	2	
7	GU19149800	Washer 10,5x16x1	2	
8	AP8152339	Screw w/ flange M5x9	6	
9	883141	LH engine cover	1	
10	978618	Rear support	1	
11	GU97202355	Screw w/ flange M6x55	2	
12	GU95005306	Washer 6,4x13x1,5	2	
13	AP8102375	Clip m5	2	
14	978880	Stud bolt	1	
15	978619	Stud bolt	2	
16	GU03013800	Washer 6,4x12	1	

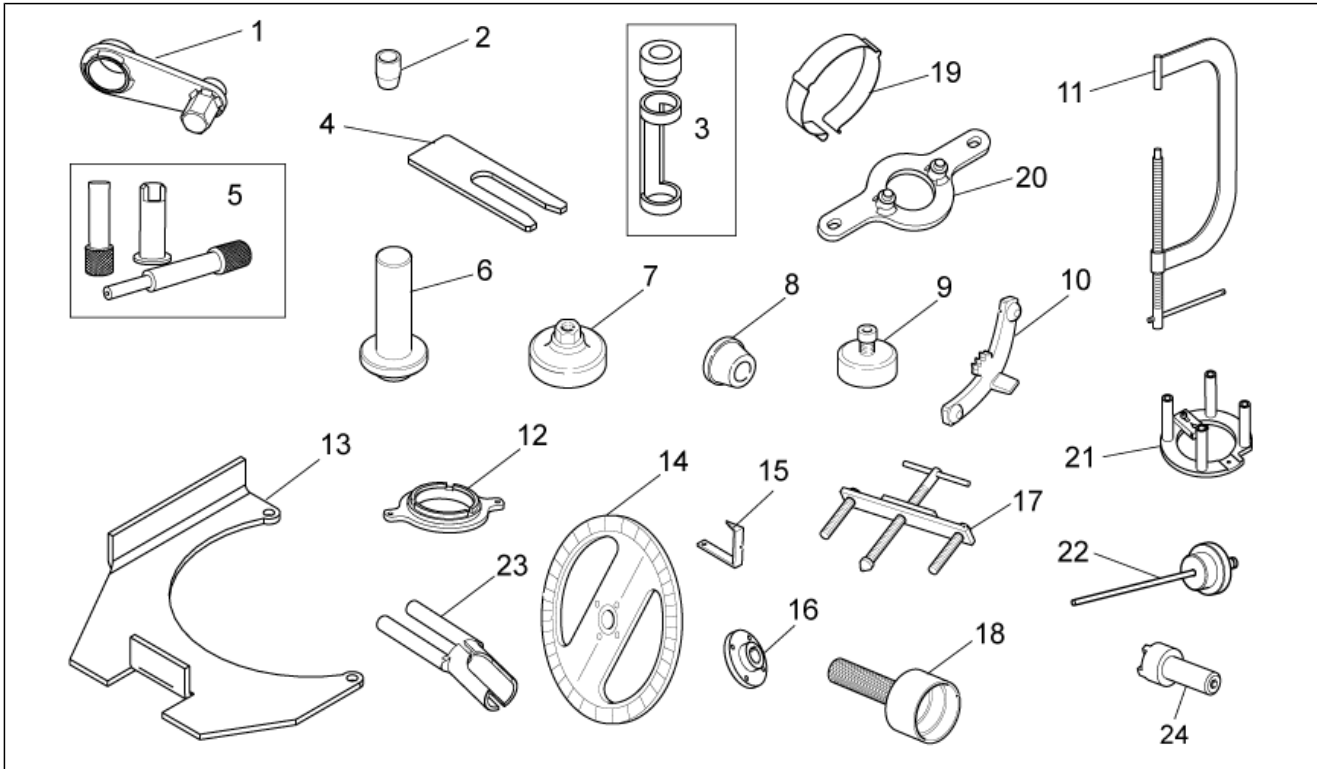


<b>Group</b>	ENGINE
<b>Code</b>	34.65
<b>Description</b>	Throttle body
<b>Service</b>	1



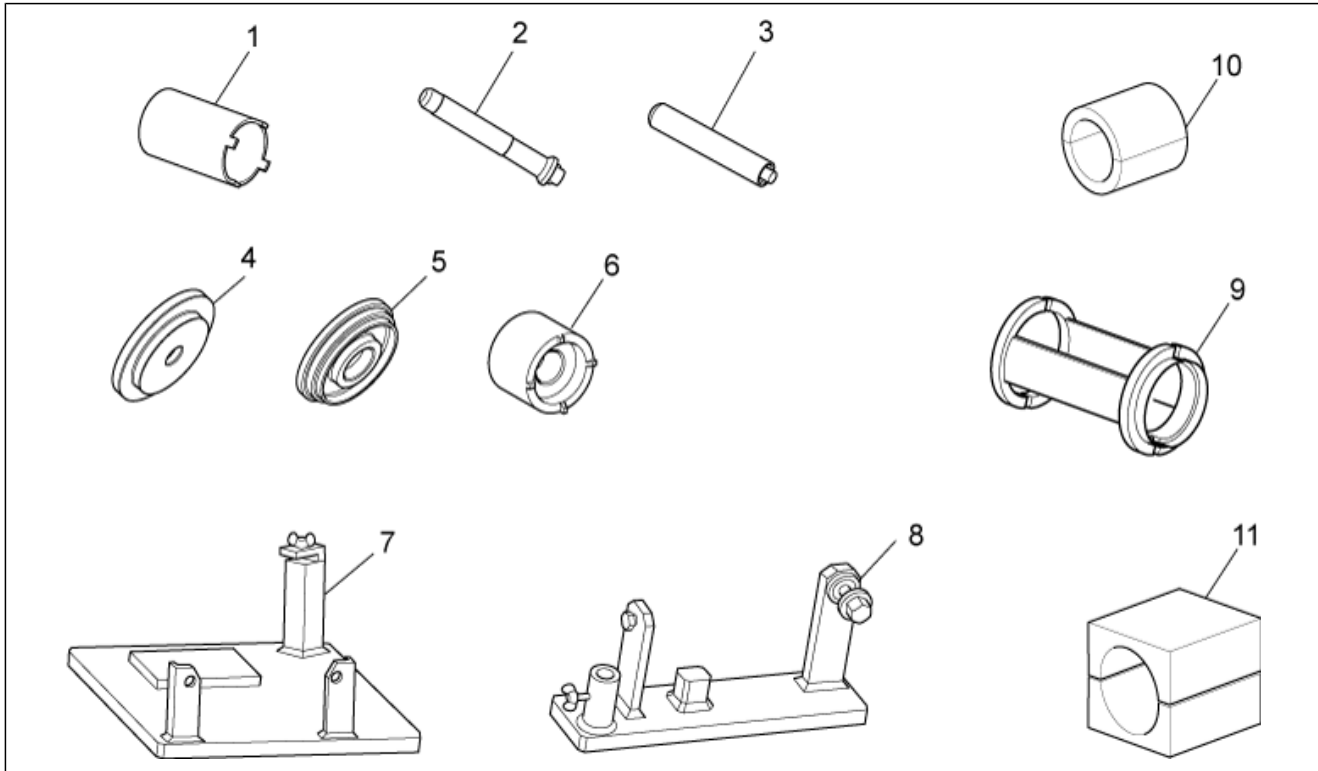
Pos.	Code	Description	Qty	Variants
1	976697	Throttle assy	1	
2	981010	Potentiometer	1	
3	873490	LH manifold	1	
4	CM074706	Injector kit complete	2	
5	976498	Flange	2	
6	976566	O-ring 53,7x1,78	2	
7	873879	Inl. manifold gasket	2	
8	873491	RH manifold	1	
9	GU98882325	Low head socket screw M6x25 M6x25	6	
10	GU95008206	Washer 6,15x11x0,8	6	
11	GU98350310	Hex socket screw M6x20	2	
12	GU95100116	Washer 6,25x10x1,5	2	
13	GU93305061	Hose clamp 61/65,5	4	
14	873861	Hose	2	
15	GU98682212	Hex socket screw M5x12	2	
16	877057	Intake hose RH	1	
17	877056	Intake hose LH	1	
18	GU93306050	Clamp 50x90x9	2	
19	GU95008305	Washer 5,3X10X1	2	
20	981011	Min.regulation engine	1	

<b>Group</b>	SPECIAL TOOLS
<b>Code</b>	36.67
<b>Description</b>	Specific tools I
<b>Service</b>	1



Pos.	Code	Description	Qty	Variants
1	020677Y	Belt tensioning tool	1	
2	GU05911730	Front cover installation cone	1	
3	AP9100838	Valve spring comp insert	1	
4	020716Y	Connecting rod stopper	1	
5	020470Y	Tool for piston pin catch ass.	1	
6	GU05927230	Timing cover seal drift	1	
7	GU01929100	Wrench remov.cover sump/filter	1	
8	GU12912000	Flange flywheel side	1	
9	GU14927100	Seal ring onto flange fly.side	1	
10	GU12911801	Lock flywh.starter motor gear	1	
11	AP8140179	Bow for valve assy&disassy	1	
12	020672Y	Clutch spring comp insert	1	
13	GU05902530	Gearbox housing support	1	
14	GU19929600	Index plate tim.sett./ign.cont	1	
15	GU17947560	Arrow tim.set.ignition control	1	
16	020673Y	Index plate hub	1	
17	GU12913600	Flange removal flywheel side	1	
18	GU19927100	Seal ring flange flywheel side	1	
19	020674Y	Piston ring spanner	1	
20	020675Y	Service shaft gear ret.	1	
21	020676Y	Piston pos.dial gauge supp.	1	
22	020678Y	Clutch rod inspection tool	1	
23	020689Y	Extractor spark plug cap	1	
24	GU14912603	Key	1	

<b>Group</b>	SPECIAL TOOLS
<b>Code</b>	36.68
<b>Description</b>	Specific tools II
<b>Service</b>	1



Pos.	Code	Description	Qty	Variants
1	AP8140190	Steering lock tool	1	
2	GU05902732	Handle for drifts	1	
3	GU05902733	Ball joint seal drift	1	
4	GU05902731	Transmis.box oil seal drift 85	1	
5	GU05902735	Sprocket oil seal drift 45x58	1	
6	GU05902734	Wrench for sprocket ring nut	1	
7	GU05902730	Transmission box support	1	
8	GU05902736	Bevel gears support	1	
9	AP8140758	Tool oil seal assy	1	
10	AP8140146	Weight for AP8140189	1	
11	AP8140149	Protection for disassembly op	1	