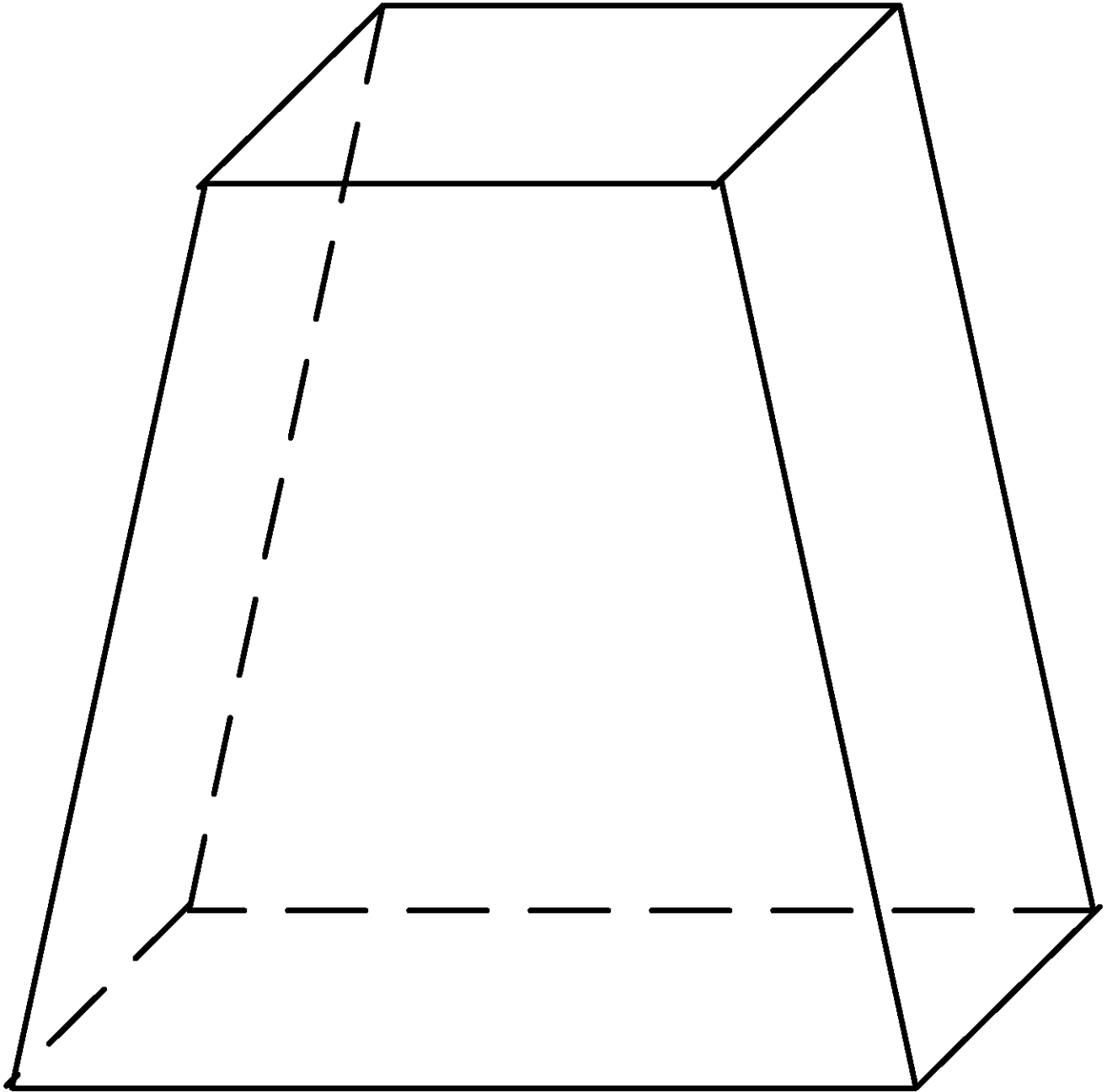


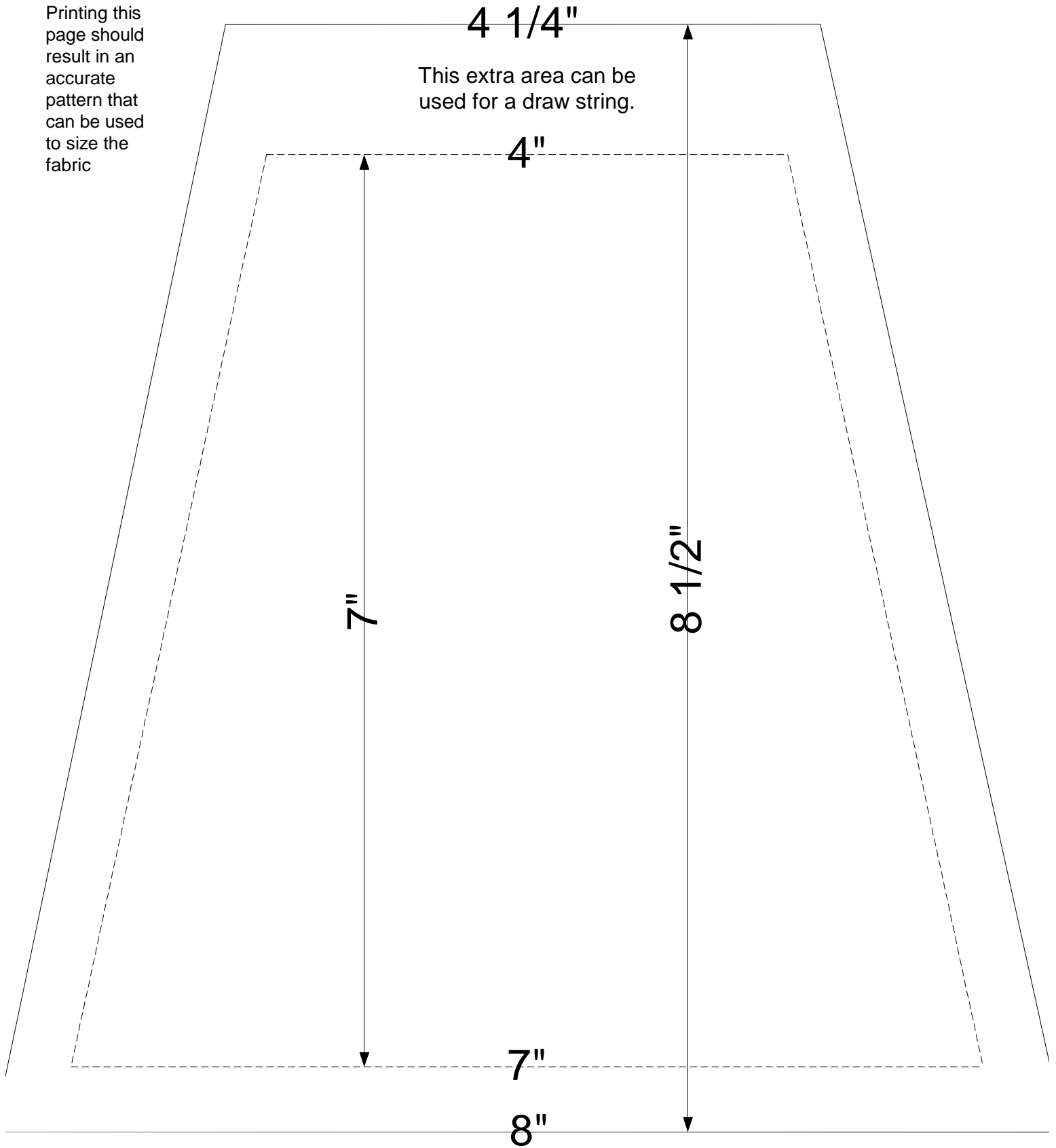
# Finished appearance

- not drawn to scale -



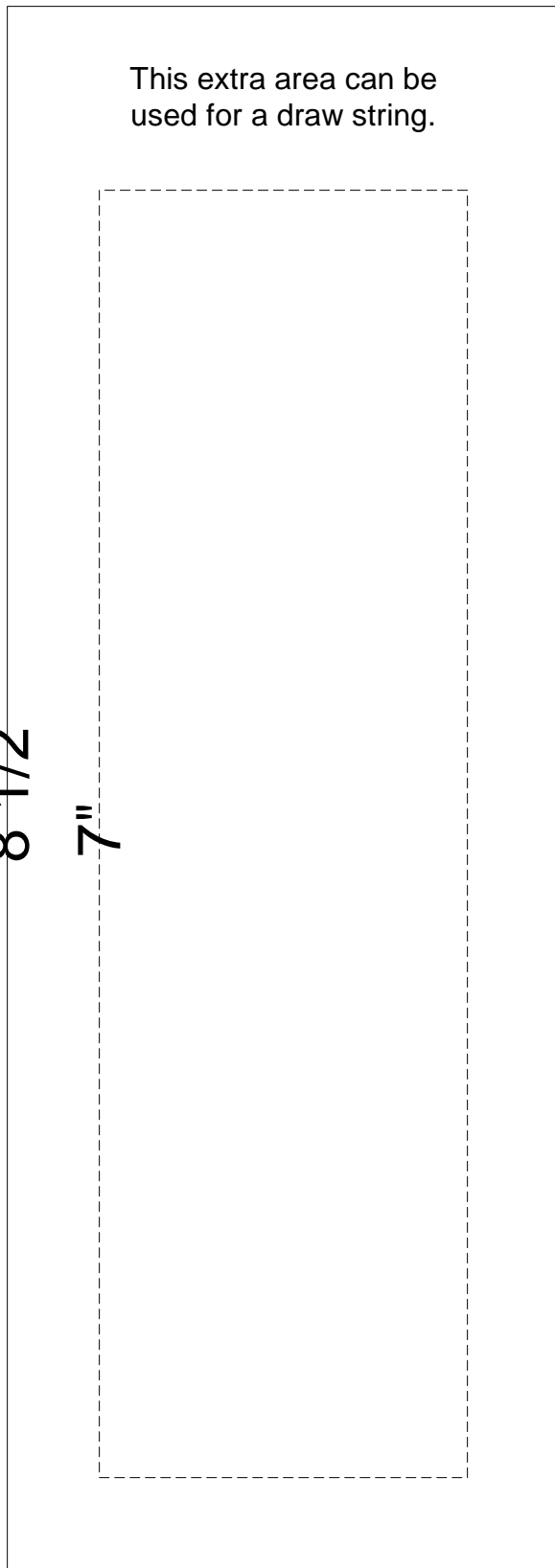
Cut on the solid lines / sew on the dotted lines

Printing this page should result in an accurate pattern that can be used to size the fabric



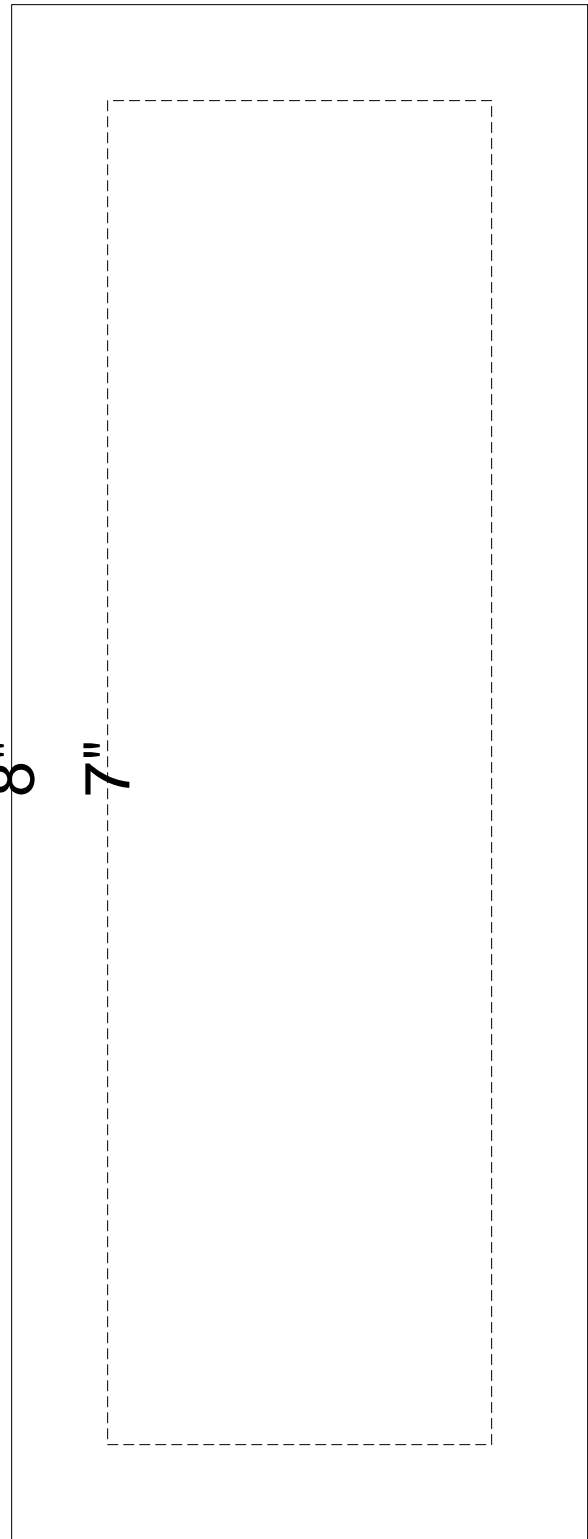
Front / Back - you will need two of these for each tool box (four total).

Cut on the solid lines / sew on the dotted lines



Sides - you will need two of these for each tool box (four total)

Printing this page should result in an accurate pattern that can be used to size the fabric



Bottom - you will need one of these for each tool box (two total)